



Installing Ethernet Routing Switch 5900 Series

Release 7.8
9036210-00 Rev AA
February 2020

© 2017-2020, Extreme Networks, Inc.
All Rights Reserved.

Legal Notice

Extreme Networks, Inc. reserves the right to make changes in specifications and other information contained in this document and its website without prior notice. The reader should in all cases consult representatives of Extreme Networks to determine whether any such changes have been made.

The hardware, firmware, software or any specifications described or referred to in this document are subject to change without notice.

Trademarks

Extreme Networks and the Extreme Networks logo are trademarks or registered trademarks of Extreme Networks, Inc. in the United States and/or other countries.

All other names (including any product names) mentioned in this document are the property of their respective owners and may be trademarks or registered trademarks of their respective companies/owners.

For additional information on Extreme Networks trademarks, please see: www.extremenetworks.com/company/legal/trademarks

Open Source Declarations

Some software files have been licensed under certain open source or third-party licenses. End-user license agreements and open source declarations can be found at: www.extremenetworks.com/support/policies/software-licensing

Contents

Chapter 1: About this Document	5
Purpose.....	5
Conventions.....	5
Text Conventions.....	5
Documentation and Training.....	7
Getting Help.....	8
Providing Feedback.....	9
Chapter 2: New in this document	10
Chapter 3: Preinstallation Checklist	11
Chapter 4: Installation Preparation	13
Ethernet Routing Switch 5900 Series Models.....	13
Electrostatic Discharge Prevention.....	19
Technical Specifications.....	20
Power Specifications.....	22
MTBF Values.....	25
Power Supply Cords.....	26
Cooling Fans and Power Supplies.....	32
Cooling Fan Trays.....	33
Power Supply Compatibility with Cooling Fans.....	34
Redundant Power Supply Configurations.....	34
Power Supply Monitoring.....	34
Installing the Fan Trays and Power Supply.....	35
Connecting AC Power.....	38
Chapter 5: Switch Installation	40
Installing ERS 5900 Series Switch in an Equipment Rack.....	41
Installing Ethernet Routing Switch 59100 Series Switches in an Equipment Rack.....	43
Installing the Switch Using Optional Four-Post Rack-Mount Brackets.....	47
Single and Multiple Switch Arrangements.....	51
Stack Configuration.....	59
Connecting a Transceiver to the Switch or Stack.....	61
Supported Optical Devices	62
Checking Status LEDs to Verify Switch Installation.....	62
IP Address Information Configuration.....	66
Chapter 6: Installation Reference	70
Console and Management Connections.....	70
Console Port.....	70
Out of Band Management Ports.....	71
USB Port.....	71
RJ-45 Connector Pin Assignments.....	71

ERS 5900 Series PoE.....	72
Chapter 7: Translations of Safety Messages.....	74
Safety Messages.....	74
Appendix A: Regulatory and Compliance Information.....	78
Federal Communications Commission (FCC) Notice.....	78
Industry Canada Notice.....	78
Class A ITE Notice.....	79
Klasse A ITE Anmerkung.....	79
Product Safety.....	79
Produktsicherheit.....	79
Korea EMC Statement.....	79
Electromagnetic Compatibility (EMC).....	80
Elektro-magnetische Kompatibilität (EMC).....	80
VCCI Notice.....	80
BSMI EMC Statement — Taiwan.....	80
CCC EMC Statement — China.....	81
Battery Warning — Taiwan.....	81
Battery Notice.....	81
Restriction of Hazardous Substances.....	82
Hazardous Substances	82
European Waste Electrical and Electronic Equipment (WEEE) Notice.....	82
Safety.....	83

Chapter 1: About this Document

This section discusses the purpose of this document, the conventions used, ways to provide feedback, additional help, and information regarding other Extreme Networks publications.

Purpose

This document provides the information and procedures required to install the hardware, software, cabling, and power for the Extreme Networks Ethernet Routing Switch 5900 Series.

Unless otherwise indicated, this information applies to:

- ERS 5928MTS-uPWR
- ERS 5928GTS
- ERS 5928GTS-PWR+
- ERS 5928GTS-uPWR
- ERS 5952GTS
- ERS 5952GTS-PWR+
- ERS 59100GTS
- ERS 59100GTS-PWR+

Conventions

This section discusses the conventions used in this guide.

Text Conventions

The following tables list text conventions that can be used throughout this document.

Table 1: Notice Icons







Icon	Alerts you to...
 Important:	A situation that can cause serious inconvenience.
 Note:	Important features or instructions.
 Tip:	Helpful tips and notices for using the product.
 Danger:	Situations that will result in severe bodily injury; up to and including death.
 Warning:	Risk of severe personal injury or critical loss of data.
 Caution:	Risk of personal injury, system damage, or loss of data.

Table 2: Text Conventions

Convention	Description
Angle brackets (< >)	<p>Angle brackets (< >) indicate that you choose the text to enter based on the description inside the brackets. Do not type the brackets when you enter the command.</p> <p>If the command syntax is <code>cfm maintenance-domain maintenance-level <0-7></code> , you can enter <code>cfm maintenance-domain maintenance-level 4</code>.</p>
Bold text	<p>Bold text indicates the GUI object name you must act upon.</p> <p>Examples:</p> <ul style="list-style-type: none"> • Click OK. • On the Tools menu, choose Options.
Braces ({ })	<p>Braces ({ }) indicate required elements in syntax descriptions. Do not type the braces when you enter the command.</p> <p>For example, if the command syntax is <code>ip address {A.B.C.D}</code>, you must enter the IP address in dotted, decimal notation.</p>
Brackets ([])	<p>Brackets ([]) indicate optional elements in syntax descriptions. Do not type the brackets when you enter the command.</p> <p>For example, if the command syntax is <code>show clock [detail]</code>, you can enter either <code>show clock</code> or <code>show clock detail</code>.</p>

Table continues...

Convention	Description
Ellipses (...)	<p>An ellipsis (...) indicates that you repeat the last element of the command as needed.</p> <p>For example, if the command syntax is <code>ethernet/2/1 [<parameter> <value>]...</code>, you enter <code>ethernet/2/1</code> and as many parameter-value pairs as you need.</p>
<i>Italic Text</i>	<p>Italics emphasize a point or denote new terms at the place where they are defined in the text. Italics are also used when referring to publication titles that are not active links.</p>
Plain Courier Text	<p>Plain Courier text indicates command names, options, and text that you must enter. Plain Courier text also indicates command syntax and system output, for example, prompts and system messages.</p> <p>Examples:</p> <ul style="list-style-type: none"> • <code>show ip route</code> • <code>Error: Invalid command syntax</code> <code>[Failed][2013-03-22 13:37:03.303</code> <code>-04:00]</code>
Separator (>)	<p>A greater than sign (>) shows separation in menu paths.</p> <p>For example, in the Navigation tree, expand the Configuration > Edit folders.</p>
Vertical Line ()	<p>A vertical line () separates choices for command keywords and arguments. Enter only one choice. Do not type the vertical line when you enter the command.</p> <p>For example, if the command syntax is <code>access-policy by-mac action { allow deny }</code>, you enter either <code>access-policy by-mac action allow</code> or <code>access-policy by-mac action deny</code>, but not both.</p>

Documentation and Training

Find Extreme Networks product information at the following locations:

[Current Product Documentation](#)

[Release Notes](#)

[Hardware/software compatibility matrices](#) for Campus and Edge products

[Supported transceivers and cables](#) for Data Center products

[Other resources](#), like white papers, data sheets, and case studies

Extreme Networks offers product training courses, both online and in person, as well as specialized certifications. For details, visit www.extremenetworks.com/education/.

Getting Help

If you require assistance, contact Extreme Networks using one of the following methods:

[Extreme Portal](#)

Search the GTAC (Global Technical Assistance Center) knowledge base; manage support cases and service contracts; download software; and obtain product licensing, training, and certifications.

[The Hub](#)

A forum for Extreme Networks customers to connect with one another, answer questions, and share ideas and feedback. This community is monitored by Extreme Networks employees, but is not intended to replace specific guidance from GTAC.

[Call GTAC](#)

For immediate support: (800) 998 2408 (toll-free in U.S. and Canada) or 1 (408) 579 2826. For the support phone number in your country, visit: www.extremenetworks.com/support/contact

Before contacting Extreme Networks for technical support, have the following information ready:

- Your Extreme Networks service contract number, or serial numbers for all involved Extreme Networks products
- A description of the failure
- A description of any actions already taken to resolve the problem
- A description of your network environment (such as layout, cable type, other relevant environmental information)
- Network load at the time of trouble (if known)
- The device history (for example, if you have returned the device before, or if this is a recurring problem)
- Any related RMA (Return Material Authorization) numbers

Subscribe to Service Notifications

You can subscribe to email notifications for product and software release announcements, Vulnerability Notices, and Service Notifications.

1. Go to www.extremenetworks.com/support/service-notification-form.
2. Complete the form (all fields are required).
3. Select the products for which you would like to receive notifications.

*** Note:**

You can modify your product selections or unsubscribe at any time.

4. Select **Submit**.

Providing Feedback

The Information Development team at Extreme Networks has made every effort to ensure the accuracy and completeness of this document. We are always striving to improve our documentation and help you work better, so we want to hear from you. We welcome all feedback, but we especially want to know about:

- Content errors, or confusing or conflicting information.
- Improvements that would help you find relevant information in the document.
- Broken links or usability issues.

If you would like to provide feedback, you can do so in three ways:

- In a web browser, select the feedback icon and complete the online feedback form.
- Access the feedback form at <https://www.extremenetworks.com/documentation-feedback/>.
- Email us at documentation@extremenetworks.com.

Provide the publication title, part number, and as much detail as possible, including the topic heading and page number if applicable, as well as your suggestions for improvement.

Chapter 2: New in this document

The following section details what is new in this document.

Regulatory and Compliance Information

This document is updated with the Regulatory and Compliance information from Regulatory Reference for Ethernet Routing Switch 4900 Series, which is now obsolete. For more information, see [Regulatory and Compliance Information](#) on page 78.

Chapter 3: Preinstallation Checklist

Before you install the ERS 5900 Series, make sure that you complete the tasks in the preinstallation checklist.

No.	Task	Description	✓
1.	Review the technical specification for the switch. Make sure that the area where you install the switch and where it will operate meet the requirements.	For the physical, electrical, and environmental specifications, see Technical specifications on page 20. .	
2.	Verify the power supply unit (PSU) specifications. Optionally order a redundant PSU to provide redundancy and load sharing.	See AC power specifications on page 22.	
3.	Make sure that you have the following tools and cables: <ul style="list-style-type: none"> • Phillips #2 screwdriver • RJ-45 console port cable • ESD cable 	See Identifying cables to use with the Ethernet Routing Switch on page 60.	
4.	Unpack the equipment.	Observe ESD precautions when you unpack the equipment. See Electrostatic discharge prevention on page 19.	
5.	Verify the contents of the shipped package.	See Verifying the package contents on page 30 for a description of the components that are provided with the switch. If any components are missing, contact Extreme Networks support at http://www.extremenetworks.com/support .	
6.	Make sure that the power cord has the correct country-specific termination.	See Power Supply Cords on page 26.	
7	Prepare the rack.	Ensure that there is enough rack space to accommodate specific models.	

Table continues...

Preinstallation Checklist

No.	Task	Description	✓
		<p>For more information, see Installing ERS 5900 switch in an equipment rack on page 41 or Installing ERS 59100GTS and ERS 59100GTS-PWR+ in an equipment rack on page 43 for rack space unit requirements.</p> <p>Ensure that the rack is bolted to the floor and braced if necessary.</p> <p>Ensure that the rack is grounded to the same grounding electrode used by the power service in the area. The ground path must be permanent and must not exceed 1 Ohm of resistance from the rack to the grounding electrode.</p>	

Chapter 4: Installation Preparation

Ethernet Routing Switch 5900 Series Models

The following table lists the different ERS 5900 Series models and the key features for each switch.

Table 3: ERS 5900 Series models

Switch Model	Key features	Part Number
ERS 5928MTS-uPWR	<ul style="list-style-type: none"> • 24x 100/1000/2500Mbps full duplex RJ45 Ethernet User Ports supporting the 802.3at Type II (POE+) Standard and Non-Standard 60 Watts • Four SFP+ 1/10 Gbps uplink ports • Layer 2/Layer 3 • Stackable Ethernet switch • 1 rack unit (U) high • Uses modular power supply units and has two field-serviceable power supply receptacles, which support 1400 W AC power supply modules. 	AL590009A-E6GS [no power supply unit (PSU), no power cord (PC)] AL5900A9B-E6GS (no PC) AL5900A9F-E6GS (no PC)
ERS 5928GTS	<ul style="list-style-type: none"> • 24 10/100/1000 Base-T RJ-45 ports • Four SFP+ 1/10 Gbps uplink ports • Non-PoE • Layer 2/Layer 3 • Stackable Ethernet switch • 1 rack unit (U) high • Uses modular power supply units and has two field-serviceable power supply 	AL590001A-E6 (no PSU, no PC) AL5900A1B-E6 (no PC) AL5900A1F-E6 (no PC)

Table continues...

Switch Model	Key features	Part Number
	receptacles, which support 450 W AC power supply modules.	
ERS 5928GTS-PWR+	<ul style="list-style-type: none"> • 24 10/100/1000 Base-T RJ-45 ports with 802.3at PoE+ • Four SFP+ 1/10 Gbps uplink ports • Layer 2/Layer 3 • Stackable Ethernet switch • 1 rack unit (U) high • Uses modular power supply units and has two field-serviceable power supply receptacles, which support 1400 W AC power supply modules. 	AL590002A-E6 (no PSU, no PC) AL5900A2B-E6 (no PC) AL5900A2F-E6 (no PC)
ERS 5928GTS-uPWR	<ul style="list-style-type: none"> • 24 10/100/1000 Base-T RJ-45 ports with 802.3at PoE+ • Four SFP+ 1/10 Gbps uplink ports • Layer 2/Layer 3 • Stackable Ethernet switch • 1 rack unit (U) high • Uses modular power supply units and has two field-serviceable power supply receptacles, which support 1400 W AC power supply modules. 	AL5900A7A-E6 (no PSU, no PC) AL5900A7B-E6 (no PC) AL5900A7F-E6 (no PC)
ERS 5952GTS	<ul style="list-style-type: none"> • 48 10/100/1000 Base-T RJ-45 ports • Four SFP+ 1/10 Gbps uplink ports • Non-PoE • Layer 2/Layer 3 • Stackable Ethernet switch • 1 rack unit (U) high • Uses modular power supply units and has two field-serviceable power supply 	AL590003A-E6 (no PSU, no PC) AL5900A3B-E6 (no PC) AL5900A3F-E6 (no PC)

Table continues...

Switch Model	Key features	Part Number
	receptacles, which support 450 W AC power supply modules.	
ERS 5952GTS-PWR+	<ul style="list-style-type: none"> • 48 10/100/1000 Base-T RJ-45 ports with 802.3at PoE+ • Four SFP+ 1/10 Gbps uplink ports • Layer 2/Layer 3 • Stackable Ethernet switch • 1 rack unit (U) high • Uses modular power supply units and has two field-serviceable power supply receptacles, which support 1400 W AC power supply modules. 	AL590004A-E6 (no PSU, no PC) AL5900A4B-E6 (no PC) AL5900A4F-E6 (no PC)
ERS 59100GTS	<ul style="list-style-type: none"> • 96 10/100/1000 Base-T RJ-45 ports • Four SFP+ 1/10 Gbps uplink ports • Stackable Ethernet switch • Layer 2/Layer 3 • Non-PoE • 1 rack unit (U) high • Uses modular power supply units and has four field-serviceable power supply receptacles, which support 450 W AC power supply modules. 	AL5900A5A-E6 (no PSU, no PC) AL5900A5B-E6 (no PC) AL5900A5F-E6 (no PC)
ERS 59100GTS-PWR+	<ul style="list-style-type: none"> • 96 10/100/1000 Base- T RJ45 ports with 802.3at PoE+ • Four SFP+ 1/10 Gbps uplink ports • Layer 2/Layer 3 • Stackable Ethernet switch • 1 rack unit (U) high • Uses modular power supply units and has four field-serviceable power supply receptacles, which support 	AL5900A6A-E6 no PSU, no PC) AL5900A6B-E6 (no PC) AL5900A6F-E6 (no PC)

Table continues...

Switch Model	Key features	Part Number
	1400 W AC power supply modules.	
Power cords must be ordered separately.		
<p>* Note:</p> <p>The 'B' in the part number (for example, AL5900E4B-E6) denotes Back to Front cooling, whereas 'F' denotes Front to Back cooling (for example, AL5900E4F-E6).</p>		

Common Hardware Features

The following hardware features are part of all ERS 5900 Series switches:

- One RJ-45 RS-232 Console connection at the front (note jack orientation)
- Two FRU Fan Tray modules

*** Note:**

ERS 59100GTS and ERS 59100GTS-PWR+ support four Fan Tray modules.

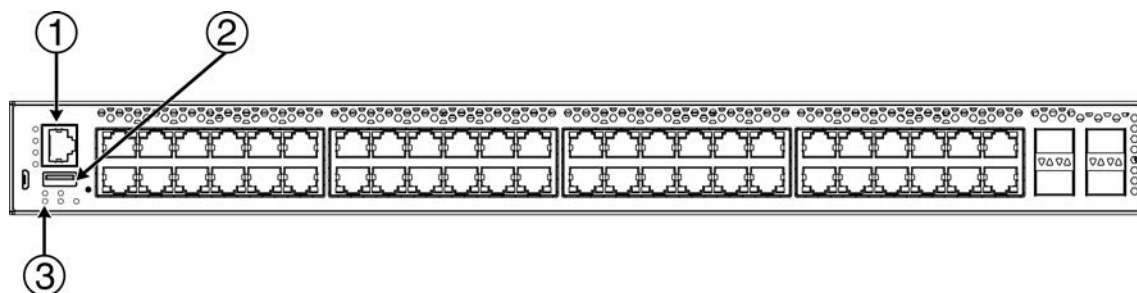
- Standard ERS 19 inch rack mount hole pattern allowing horizontal or vertical, flush or offset, front or rear mount options
- One rear panel mounted Ethernet out-of-band management port
- One rear mounted Base Select Switch
- Support for two field replaceable power supply units

*** Note:**

ERS 59100GTS and ERS 59100GTS-PWR+ support four field replaceable power supply units.

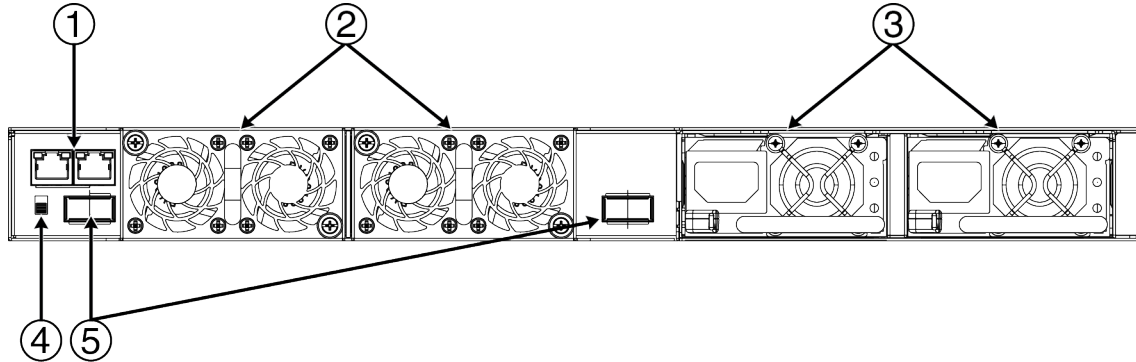
- One Kensington Lock slot located on the left side, near the back end of the chassis
- Two QSFP+ style stacking ports each supporting 42 Gbps of bidirectional traffic
- Status LED display panel
- One USB 2.1 Type A port
- One micro-USB 2.1 Type B port (reserved)
- Two 10/100/1000 Mbps copper ports (diagnostic use only)

The following figure shows the front panel of the ERS 5952GTS switch.



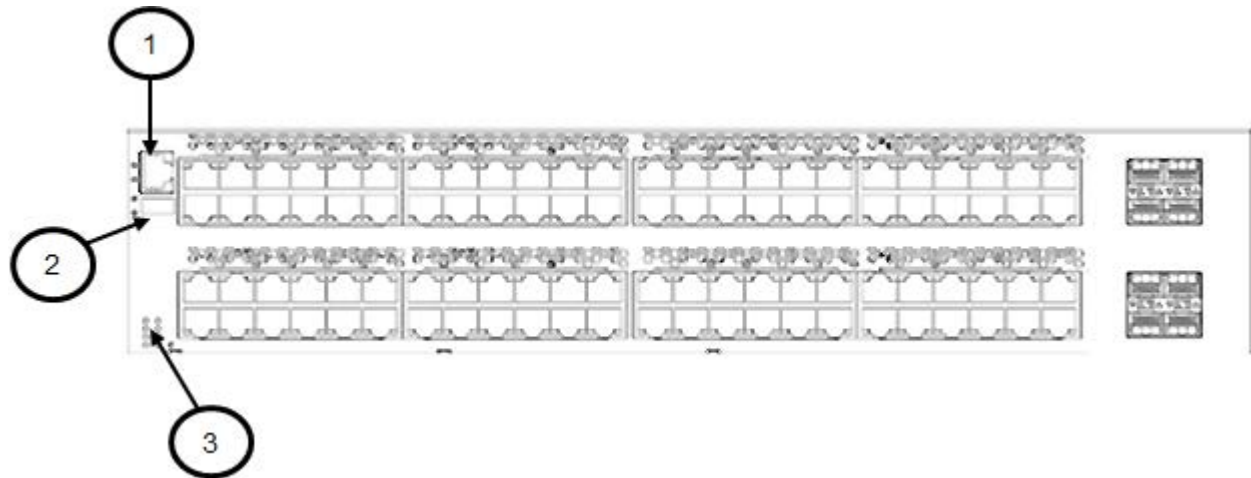
1. Console port
2. USB 2.1 Type-A port
3. LED display

The following figure shows the rear panel of the ERS 5952GTS switch.



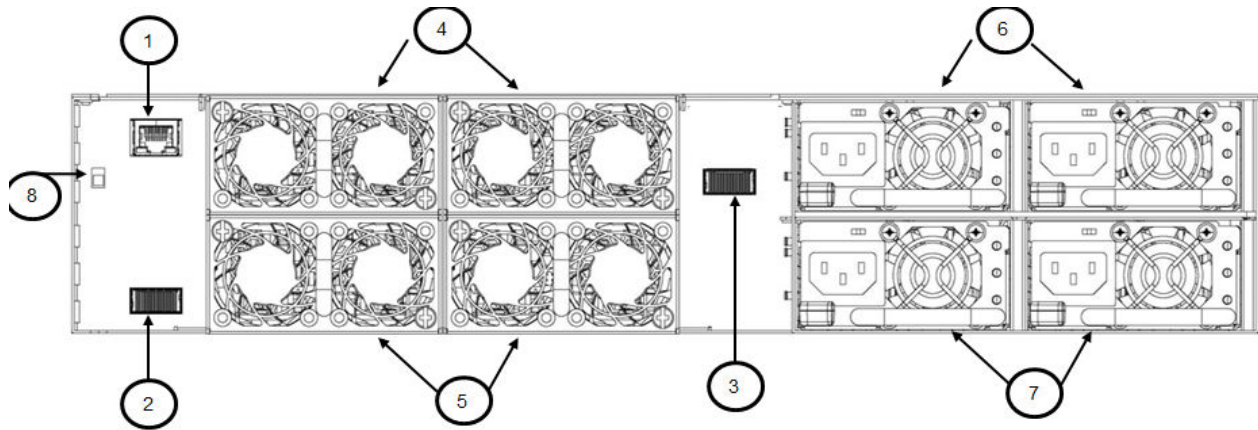
1. Diagnostic ports (SDN port (labelled as AUX cannot be enabled) and out-of-band management port)
2. Fan tray units
3. Power supply units
4. Base Unit switch
5. QSFP ports for stacking

The following figure shows the front panel of the ERS 59100GTS switch.



1. Console port
2. USB 2.1 Type-A port
3. LED display

The following figure shows the rear panel of the ERS 59100GTS switch.



1. Diagnostic port (SDN port (labelled as AUX cannot be enabled) and out-of-band management port)
- 2 and 3. QSFP ports for stacking
- 4 and 5. Fan tray units
- 6 and 7. Power supply units
8. Base Unit switch

Universal Serial Bus Ports on the Ethernet Routing Switch 5900 Series

The ERS 5900 Series switches include a USB Type A port on the front panel adjacent to the console port, as well as a micro-USB Type B port.

The USB Type A port enables switch administrators to perform tasks that were previously completed through TFTP with a commonly available USB Mass Storage Device (also known as a flash drive or thumb drive). These tasks include:

- software download
- syslog backup
- ASCII configuration file generation and download

File and system operations are limited by the size of the USB device in use. Only USB drives that comply with the Mass Storage sub-section of the USB 1.1, USB 2.0, and USB 2.1 specification are supported. Support is not extended to third-party devices that do not comply with these standards. Consult the documentation provided with the USB drive to ensure compliance with these standards.

! Important:

The micro-USB port on the front panel of the ERS 5900 Series models is not enabled.

Electrostatic Discharge Prevention

Electrostatic discharge (ESD) is a discharge of stored static electricity that can damage equipment and impair electrical circuitry. These electrostatic voltages can result from friction, including, but not exclusive to, pulling cabling through conduits, walking across carpeted areas, and building up of static charge in clothing. ESD damage occurs when electronic components are improperly handled and can result in complete or intermittent failures. While networking equipment is commonly designed and tested to withstand common mode ESD events, voltage sometimes can be discharged to some connector pins but not others, or to some pins before others, which has the potential to damage the networking equipment.

To protect the switch against ESD damage, take the following preventive measures before connecting any data cables to the device:

- Always use antistatic wrist straps. Make sure the strap is adjusted to provide good skin contact.
- Ensure that work surfaces and equipment racks are properly grounded for protection against electrostatic discharge. The common point must be connected to the building ground wire. In a properly wired building, the nearest reliable ground is typically at the electrical outlet.
- Avoid contact between equipment and clothing. The wrist or ankle strap only protects the equipment from ESD voltages on the body; ESD voltages on clothing can still cause damage.
- Avoid touching any connector pins.
- Do not remove the wrist or ankle strap until the installation is complete.

With new cable installations, you should use an ESD cable to reduce the potential for damage from static that can build up in cables. See the following figure.

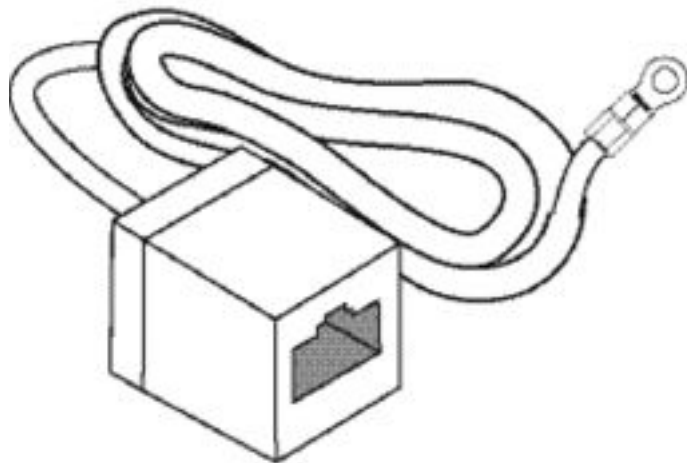


Figure 1: ESD cable

Technical Specifications

The following table provides the technical specifications for the individual switches in the Ethernet Routing Switch 5900 Series. Ensure that the area where you install the switch and where it operates meets these requirements.

 **Warning:**

To avoid bodily injury from hazardous electrical shock and current, never remove the top of the device. No user-serviceable components are inside.

Table 4: Physical specifications

Specifications	Ethernet Routing Switch 5900 Series	✓
Height	<ul style="list-style-type: none"> ERS 5928GTS, ERS 5928GTS-PWR+, ERS 5928GTS-uPWR, ERS 5928MTS-uPWR, ERS 5952GTS, ERS 5952GTS-PWR+: 44 mm ERS 59100GTS, ERS 59100GTS-PWR+: 88.5 mm 	
Width	442 mm	
Depth	456 mm, 488 mm at the power supply.	
Weight (includes switch weight with 1 PSU and the required fan trays.	<ul style="list-style-type: none"> ERS 5928GTS: 7.6 kg ERS 5928GTS-PWR+: 8.2 ERS 5928GTS-uPWR: 8.3 kg ERS 5928MTS-uPWR: 7.98 Kg ERS 5952GTS: 8.1 kg ERS 5952GTS-PWR+: 8.6 kg ERS 59100GTS: 11.9 kg ERS 59100GTS-PWR+: 12.9 kg 	
Weight of spare AC power supply unit	<ul style="list-style-type: none"> PWR-450W: 1.17 kg PWR-1400W: 1.32 kg 	

Table 5: Electrical specifications

Power consumption	Refer to table in section AC power specifications on page 22.
Thermal rating	Refer to table in section AC power specifications on page 22.
MTBF rating	<ul style="list-style-type: none"> ERS 5928GTS — Single PSU: 248,758 hours, Dual PSU: 199,203 hours ERS 5928GTS-PWR+ — Single PSU: 246,741 hours, Dual PSU: 208,803 hours ERS 5928GTS-uPWR — Single PSU: 254,165 hours, Dual PSU: 214,112 hours

Table continues...

	<ul style="list-style-type: none"> • ERS 5928MTS-uPWR — Single PSU: 243,895 hours, Dual PSU: 206,761 hours • ERS 5952GTS — Single PSU: 241,078 hours, Dual PSU: 194,249 hours • ERS 5952GTS-PWR+ — Single PSU: 239,731 hours, Dual PSU: 203,776 hours • ERS 59100GTS — Single PSU: 150,386 hours, Dual PSU: 130,727 hours, Triple PSU: 115,613 hours, Quadruple PSU: 103,632 hours • ERS 59100GTS-PWR+ — Single PSU: 145,094 hours, Dual PSU: 131,088 hours, Triple PSU: 119,448 hours, Quadruple PSU: 109,875 hours
--	-------------------------------------------------------------------------------------------------------------------------------------------------------------------------------------------------------------------------------------------------------------------------------------------------------------------------------------------------------------------------------------------------------------------------------------------------------------------------------------------------------------------------------------------------------------------------

Table 6: Environmental specifications

Operating Temperature	<p>ERS 5928GTS, ERS 5928GTS-PWR+, ERS 5928GTS-uPWR, ERS 5952GTS, ERS 5952GTS-PWR+, ERS 59100GTSERS 59100GTS-PWR+</p> <ul style="list-style-type: none"> • 0° to 50°C (32° to 122°F) <p>ERS 5928MTS-uPWR:</p> <ul style="list-style-type: none"> • 45°C (113°F) Back to Front airflow • 50°C (122°F) Front to Back airflow
Storage Temperature	-40° to 85°C (-40° to 185°F)
Operating Humidity	<p>ERS 5928GTS, ERS 5928GTS-PWR+, ERS 5928GTS-uPWR, ERS 5952GTS, ERS 5952GTS-PWR+, ERS 59100GTSERS 59100GTS-PWR+</p> <ul style="list-style-type: none"> • 0 to 95 percent non-condensing <p>ERS 5928MTS-uPWR:</p> <ul style="list-style-type: none"> • 0 to 85 percent non-condensing
Storage Humidity	<p>ERS 5928GTS, ERS 5928GTS-PWR+, ERS 5928GTS-uPWR, ERS 5952GTS, ERS 5952GTS-PWR+, ERS 59100GTSERS 59100GTS-PWR+</p> <ul style="list-style-type: none"> • 10 to 95 percent non-condensing <p>ERS 5928MTS-uPWR:</p> <ul style="list-style-type: none"> • 10 to 85 percent non-condensing
Maximum Operating Altitude	3048 m (10,000 feet)
Storage Altitude	-304.8 to 12,192 m (-1,000 to 40,000 feet) above sea level
Acoustic Noise	<p>At 25°C Ambient Temperature, less than 52 dBA typical, at 50°C, less than 60 dBA.</p> <p>The system should never exceed 70dBA.</p>

Table continues...

Miscellaneous Operating Considerations	<ul style="list-style-type: none"> • No heat sources such as hot air vents or direct sunlight located near the switch • No sources of severe electromagnetic interference located near the switch. • No excessive dust in the environment. • An adequate power source is located within 6 feet (1.83 meters) of the switch. One 15-amp circuit is required for each power supply. • At least 2 inches (5 centimeters) on all sides of the switch unit for ventilation • Cables should be dressed to prevent blocking air flow. • Adequate clearance is allotted at the front and rear of the switch for access to cables.
----------------------------------------	------------------------------------------------------------------------------------------------------------------------------------------------------------------------------------------------------------------------------------------------------------------------------------------------------------------------------------------------------------------------------------------------------------------------------------------------------------------------------------------------------------------------------------------------------------------------------------------------------------------------------------------------------------------------------------------------

Power Specifications

This section provides the following specifications for Ethernet Routing Switch 5900 Series.

The following table describes the AC power specifications.

Table 7: AC power specifications

Model	Power supply configuration	Power supply		Input power (marginied by 10%)		Power consumption (Thermal rating)	
		Rated	Line voltage	Watts (Total)	Amps	Watts	BTUs/hr
ERS 5928GTS	2 PSU	450 W/PSU	100–120 VAC	77.4	0.7	77.4	264
	1 PSU			53.9	0.48	53.9	183.9
	2 PSU	450 W/PSU	200–240 VAC	77.2	0.43	77.2	263.4
	1 PSU			53.7	0.29	53.7	183.3
ERS 5928GTS-PWR+	2 PSU	1000 W/PSU	100–120 VAC	858	7.52	137	467.4
	1 PSU			851	7.4	131	447
	2 PSU	1400 W/PSU	200–240 VAC	846	3.77	126	429.9
	1 PSU			824.4	3.61	103.4	352.6
ERS 5928GTS-uPWR	2 PSU	1000 W/PSU	100–120 VAC	1662	14.5	218	744
	1 PSU			837	7.3	114	389
	2 PSU	1400 W/PSU	200–240 VAC	1616	7.1	172	588
	1 PSU			1285	5.6	143	487
ERS 5928MTS-uPWR	2 PSU	1000 W/PSU	100–120 VAC	1810.2	15.8	362.7	1237.5

Table continues...

Model	Power supply configuration	Power supply		Input power (margined by 10%)		Power consumption (Thermal rating)	
		Rated	Line voltage	Watts (Total)	Amps	Watts	BTUs/hr
	1 PSU			928.7	8.1	205.3	700.5
	2 PSU	1400 W/PSU	200–240 VAC	1696.3	8.0	255.7	872.4
	1 PSU			1367.7	6.0	227	774.5
ERS 5952GTS	2 PSU	450 W/PSU	100–120 VAC	90	0.78	90	307.1
	1 PSU			60.8	0.54	60.8	207.4
	2 PSU	450 W/PSU	200–240 VAC	88.6	0.46	88.6	302.3
	1 PSU			61.6	0.32	61.6	210.3
ERS 5952GTS-PWR+	2 PSU	1000 W/PSU	100–120 VAC	1665	14.58	221	754.1
	1 PSU			932.6	8.06	154.6	527.4
	2 PSU	1400 W/PSU	200–240 VAC	1662	7.12	176	600.5
	1 PSU			1371.1	5.97	176.1	600.8
ERS 59100GTS	4 PSU	450 W/PSU	100–120 VAC	183.9	1.6	183.9	627.5
	3 PSU			163.3	1.4	163.3	557.2
	2 PSU			138.6	1.2	138.6	473.0
	1 PSU			109.7	1.0	109.7	374.4
	4 PSU	450 W/PSU	200–240 VAC	182.6	1.0	182.6	623.1
	3 PSU			162.2	0.8	162.2	553.4
	2 PSU			137.3	0.7	137.3	468.6
	1 PSU			107.3	0.5	107.3	366.2
ERS 59100GTS-PWR+	4 PSU	1000 W/PSU	100–120 VAC	3327.2	29.0	432.0	1473.9
	3 PSU			3369.9	29.3	473.7	1616.2
	2 PSU			2338.7	20.3	353.3	1205.5
	1 PSU			1182.5	10.3	192.4	656.6
	4 PSU	1400 W/PSU	200–240 VAC	3218.9	14.1	322.1	1099.0
	3 PSU			3227.7	14.1	330.5	1127.6
	2 PSU			3158.7	13.8	353.8	1203.7
	1 PSU			1643.3	7.2	202.8	692.0

The following table provides typical power consumption.

Table 8: Typical power consumption

Model	Idle Power consumption (Watts)	Typical Power consumption (Watts)		
		Devices connected to all ports, typical traffic, without SFPs	Devices connected to all ports, typical traffic, 6 W average per PoE device	With Extreme Networks Energy Saver enabled (PoE Saver disabled on PoE models)
ERS 5928GTS	52.2	56.7	NA	52.2
ERS 5928GTS-PWR+	47.8	52.0	207.4	47.8
ERS 5928GTS-uPWR	46.0	50.7	210.6	45.9
ERS 5928MTS-uPWR	114.49	119.0	278.8	113.5
ERS 5952GTS	60.4	69.0	NA	60.5
ERS 5952GTS-PWR+	56.5	65.6	373.59	56.5
ERS 59100GTS	92.0	111.0	NA	91.8
ERS 59100GTS-PWR+	97.1	117.7	748.5	97.1

The following table describes the Power over Ethernet (PoE+) budget calculations.

Table 9: PoE+ budget calculations

Model	Power supply configuration	Power supply		Power over Ethernet (PoE+) power output		
		Rated power per PSU (W)	Line voltage	Max Power per Port (Watts)	Max # ports @ Max PRW/ port	Max power output Sum of all Ports (Watts)
ERS 5928GTS-PWR+	2 PSU	1000	100–120 VAC	30	24	720
	1 PSU			30	24	720
	2 PSU	1400	200–240 VAC	30	24	720
	1 PSU			30	24	720
ERS 5928GTS-uPWR	2 PSU	1000	100–120 VAC	60	24	1440
	1 PSU			60	13	780
	2 PSU	1400	200–240 VAC	60	24	1440
	1 PSU			60	20	1200
ERS 5952GTS-PWR+	2 PSU	1000	100–120 VAC	30	48	1440
	1 PSU			30	26	780
	2 PSU	1400	200–240 VAC	30	48	1440

Table continues...

Model	Power supply configuration	Power supply		Power over Ethernet (PoE+) power output		
		Rated power per PSU (W)	Line voltage	Max Power per Port (Watts)	Max # ports @ Max PRW/port	Max power output Sum of all Ports (Watts)
	1 PSU			30	40	1200
ERS 59100GTS-PWR+	4 PSU	1000	100–120 VAC	30	96	2880
	3 PSU			30	93	2790
	2 PSU			30	60	1800
	1 PSU			30	26	780
	4 PSU	1400	200–240 VAC	30	96	2880
	3 PSU			30	96	2880
	2 PSU			30	86	2580
	1 PSU			30	40	1200
ERS 5928MTS-uPWR	2 PSU	1000	100–120 VAC	60	24	1440
	1 PSU			60	13	780
	2 PSU	1400	200–240 VAC	60	24	1440
	1 PSU			60	20	1200

MTBF Values

The following table lists the MTBF values for the switches in Ethernet Routing Switch 5900 Series when two or four fans are used in combination with PSUs.

Model	Number of PSUs	Power Supply rating	MTBF (hours)
ERS 5928GTS	1	450 W	248,756
	2	450 W	199,203
ERS 5928GTS-PWR+	1	1400 W	246,741
	2	1400 W	208,803
ERS 5928GTS-uPWR	1	1400 W	254,165
	2	1400 W	214,112
ERS 5928MTS-uPWR	1	1400 W	243,895
	2	1400 W	206,761
ERS 5952GTS	1	450 W	241,078
	2	450 W	194,249

Table continues...

Model	Number of PSUs	Power Supply rating	MTBF (hours)
ERS 5952GTS-PWR+	1	1400 W	239,731
	2	1400 W	203,776
ERS 59100GTS	1	450 W	150,386
	2		130,727
	3		115,613
	4		103,632
ERS 59100GTS-PWR+	1	1400 W	145,094
	2		131,088
	3		119,548
	4		109,875

Power Supply Cords

Each control unit and expansion module requires a switched power outlet socket rated at 110-240V AC, 50-60 Hz. Connection from that power outlet socket requires an appropriate locale specific power cord which is not supplied with the unit and must be ordered separately.

Power cords must not be attached to the building surface or run through walls, ceilings, floors and similar openings. Installation measures must be taken to prevent physical damage to the power supply cord, including proper routing of the power supply cord and provision of a socket outlet near the fixed equipment or positioning of the equipment near a socket outlet.

Power Cord Type and Order Codes

Two modular power supplies are supported and each power supply has its own power cord.

Ethernet Routing Switch 5900 Series models that support PoE use 1000 W or 1400 W power supply. This power supply is unique to ERS 5900 Series. The power adapter on 1000 W or 1400 W power supply utilizes an IEC 60320 C16 connector. The IEC 60320 C16 connector accepts only an IEC 60320 C15 mating power cable and the IEC 60320 C16 connector utilizes a keying feature which prevents IEC 60320 C13 connector from being inserted in C16 socket.

Switches that do not support PoE, use 450 W power supply also uses this power supply. The power adapter on the 450 W power supply utilizes an IEC 60320 C14 connector. The IEC 60320 C14 connector accepts either an IEC 60320 C13 or IEC 60320 C15 mating power cable.

Table 10: Support matrix

ERS Model	Power Supply	Power socket	
		IEC 60320 C14	IEC 60320 C16
			
ERS 59100GTS Front to Back Airflow	AL7000A0F-E6	✓	
ERS 59100GTS Back to Front Airflow	AL7000A0B-E6	✓	
ERS 59100GTS-PWR+ Front to Back Airflow	AL1905A3F-E6		✓
ERS 59100GTS-PWR+ Back to Front Airflow	AL1905A3B-E6		✓
ERS 5952GTS Front to Back Airflow	AL7000A0F-E6	✓	
ERS 5952GTS Back to Front Airflow	AL7000A0B-E6	✓	
ERS 5952GTS-PWR+ Front to Back Airflow	AL1905A3F-E6		✓
ERS 5952GTS-PWR+ Back to Front Airflow	AL1905A3B-E6		✓
ERS 5928GTS Front to Back Airflow	AL7000A0F-E6	✓	
ERS 5928GTS Back to Front Airflow	AL7000A0B-E6	✓	
ERS 5928GTS-PWR+ Front to Back Airflow	AL1905A3F-E6		✓
ERS 5928GTS-PWR+ Back to Front Airflow	AL1905A3B-E6		✓
ERS 5928GTS-uPWR Front to Back Airflow	AL1905A3F-E6		✓
ERS 5928GTS-uPWR Back to Front Airflow	AL1905A3B-E6		✓

Table continues...

ERS Model	Power Supply	Power socket	
		IEC 60320 C14	IEC 60320 C16
ERS 5928MTS-uPWR Front to Back Airflow	AL1905A3F-E6		✓
ERS 5928MTS-uPWR Back to Front Airflow	AL1905A3B-E6		✓

This section provides ordering information for power cords.

Table 11: Power cords for power distribution units

Order Code	Length	Power supply side connector	Power source side connector	Safety Approval
700512239	3 m	C13	C14	USA
700512240	3 m	C15	C14	USA
700512241	3 m	C13	C14	International except Japan and Taiwan
700512242	3 m	C15	C14	International except Japan and Taiwan

Table 12: Power Cords with C14 power supply side connector

Order Code	Description	Region
AA0020062E6	Power cord 3.05 m IEC C13 to NEMA 5-15P	North America
AA0020063E6	Power cord 2.5 m IEC C13 to BS1363	United Kingdom
AA0020064E6	Power cord 2.5 m IEC C13 to CEE 7/7	European Union
AA0020065E6	Power cord 2.5 m IEC C13 to CEI 23-16	Italy
AA0020066E6	Power cord 2.5 m IEC C13 to GB 2099.1-1996	China
AA0020067E6	Power cord 2.5 m IEC C13 to BS-546/SANS164-1	India & South Africa
AA0020068E6	Power cord 2.5 m IEC C13 to AS 3112	Australia
AA0020069E6	Power cord 2.5 m IEC C13 to JIS 8303	Japan
AA0020101-E6	Power cord 2.5 m IEC C13 to NBR 14136 (IEC 60906-1)	Brazil

Table continues...

Order Code	Description	Region
AA0020104-E6	Power cord 2.5 m IEC C13 to SEV 1011	Switzerland
AA0020107-E6	Power cord 2.5 m IEC C13 to SI-32	Israel

Table 13: Power cords for use with C14 or C16 power supply side connector

Order Code	Description	Region
AA0020071-E6	Power cord 2.5 m IEC C15 to BS1363	United Kingdom
AA0020072-E6	Power cord 2.5 m IEC C15 to CEE 7/7	European Union
AA0020073-E6	Power cord 2.5 m IEC C15 to JIS 8303	Japan
AA0020074-E6	Power cord 2.0 m IEC C15 to NEMA 5-15P	North America
AA0020075-E6	Power cord 2.5 m IEC C15 to AS 3112	Australia
AA0020094-E6	Power cord 2.5 m IEC C15 to CNS 690 BSMI	Taiwan
AA0020097-E6	Power cord 2.5 m IEC C15 to SANS 164-1 PLUG	South Africa
AA0020100-E6	Power cord 2.5 m IEC C15 to NBR 14136	Brazil
AA0020103-E6	Power cord 2.5 m IEC C15 to SEV 1011	Switzerland
AA0020105-E6	Power cord 2.5 m IEC C15 to CEI 23-16	Italy
AA0020106-E6	Power cord 2.5 m IEC C15 to SI-32	Israel
AA0020108-E6	Power cord 2.5 m IEC C15 to NEMA L6-15P TWIST LOCK	North America
AA0020109-E6	Power cord 2.5 m IEC C15 to BS-546	India
AA0020110-E6	Power cord 2.5 m IEC C15 to IRAM 2073	Argentina

Verify the Package Contents

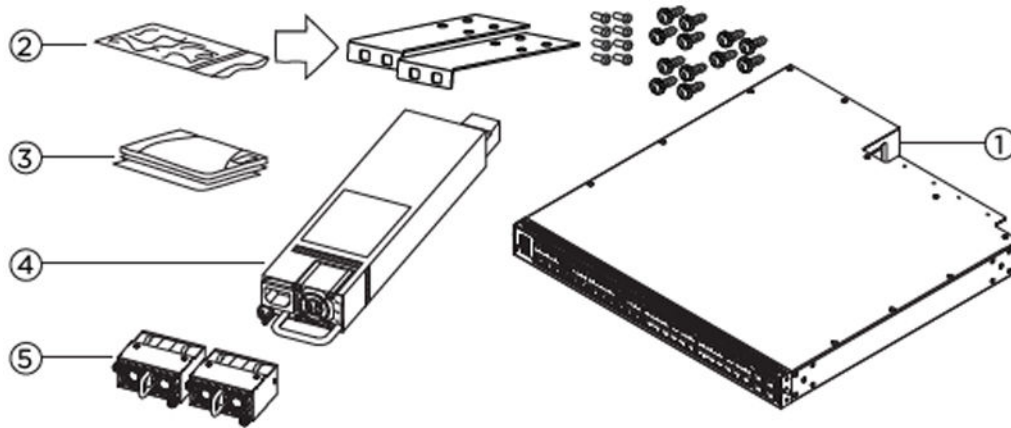
About this task

Verify the package contents with the item list to ensure you have received all components. If components are missing, contact the vendor where you purchased the switch.

Depending on the switch model, see the following sections:

Switch Model	Section
ERS 5928MTS-uPWR, ERS 5928GTS, ERS 5928GTS-PWR+, ERS 5928GTS-uPWR, ERS 5952GTS, and ERS 5952GTS-PWR+	ERS 5900 switch package contents on page 31
ERS 59100GTS and ERS 59100GTS-PWR+	ERS 59100 switch package contents on page 32

Ethernet Routing Switch 5900 Series Package Contents



1. Ethernet Routing Switch 5900 Series.
2. Rack-mounting hardware that includes:
 - a. Rack-mount brackets (2)
 - b. Screws to attach brackets to the switch (8)
 - c. Screws to attach the switch to the equipment rack (3 x 4)
3. Documentation includes the Quick Install poster and Regulatory document.
4. One field replaceable power supply unit.

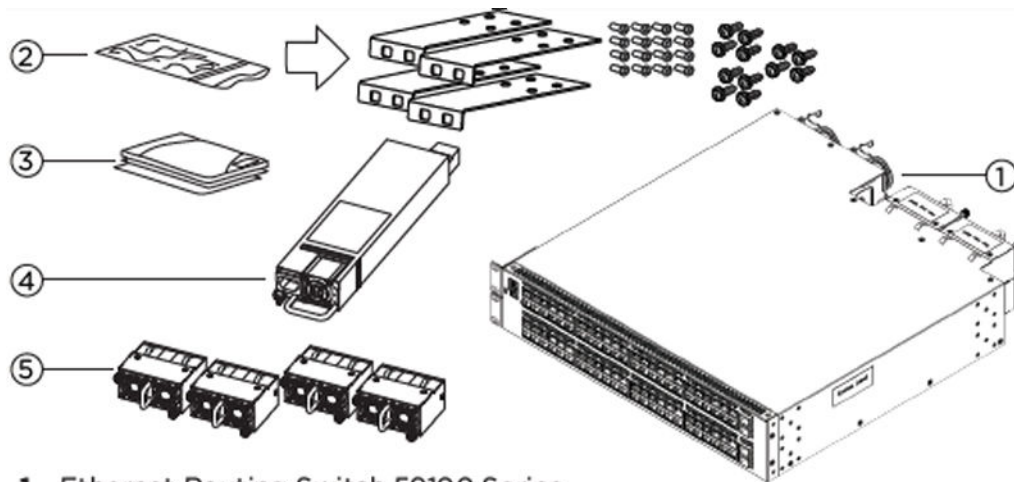
Note: Two field replaceable power supplies are supported for models ERS 5928GTS, ERS 5928GTS-PWR+, ERS 5952GTS, ERS 5928GTS-uPWR, ERS 5952GTS-PWR+, and ERS 5928MTS-uPWR.

5. Two fan tray modules.

Note: Power supply unit and fan tray modules are included with the switch; however, these items are delivered in separate packages.

Note: The arrow on the power supply unit and fan tray modules depicts the direction of air flow. Power supply unit and fan tray modules should follow the same air flow direction.

Ethernet Routing Switch 59100 Series Package Contents



1. Ethernet Routing Switch 59100 Series.
2. Two rack-mounting kits. Each kit includes:
 - a. 2 rack-mount brackets
 - b. 8 screws to attach the brackets to the switch
 - c. 3 sets of 4 screws used to attach the bracket to the rack.
3. Documentation includes the Quick Install poster and Regulatory document.
4. One field replaceable power supply unit.
Note: Four field replaceable power supplies are supported for models ERS 59100GTS and ERS 59100GTS-PWR+.
5. Four fan tray modules.
Note: Power supply unit and fan tray modules are included with the switch; however, these items are delivered in separate packages.
Note: The arrow on the Power supply units and fan tray modules depicts the direction of air flow. Power supply units and fan tray modules should follow the same air flow direction.

Cooling Fans and Power Supplies

The switch requires the number of fan trays specified in [Table 14: Supported number of fan trays and power supply units](#) on page 33 and at least one power supply unit. To provide redundancy, the supported number of power supplies and fan trays can be installed.

The following table lists the switch model and the supported number of fan trays and power supply units:

Table 14: Supported number of fan trays and power supply units

Switch Model	Supported number of fan trays	Supported number of power supply units
ERS 5928MTS-uPWR, ERS 5928GTS, ERS 5928GTS-PWR+, ERS 5928GTS-uPWR, ERS 5952GTS, ERS 5952GTS-PWR+	2	2
ERS 59100GTS, ERS 59100GTS-PWR+	4	4

Cooling Fan Trays

Cooling fan trays support hot-swap and are available in two models to support front to back, or back to front airflow modes. Cooling fan trays are included and must be installed before operating the switch.

The cooling system is designed to support normal operation over the specified operating range with a single fan failure. Note that fan noise may increase in this situation. The cooling system is also designed to operate for a brief period of time on a single fan tray, allowing replacement of a defective fan tray while the switch is operating.

The following figure shows cooling fan trays.

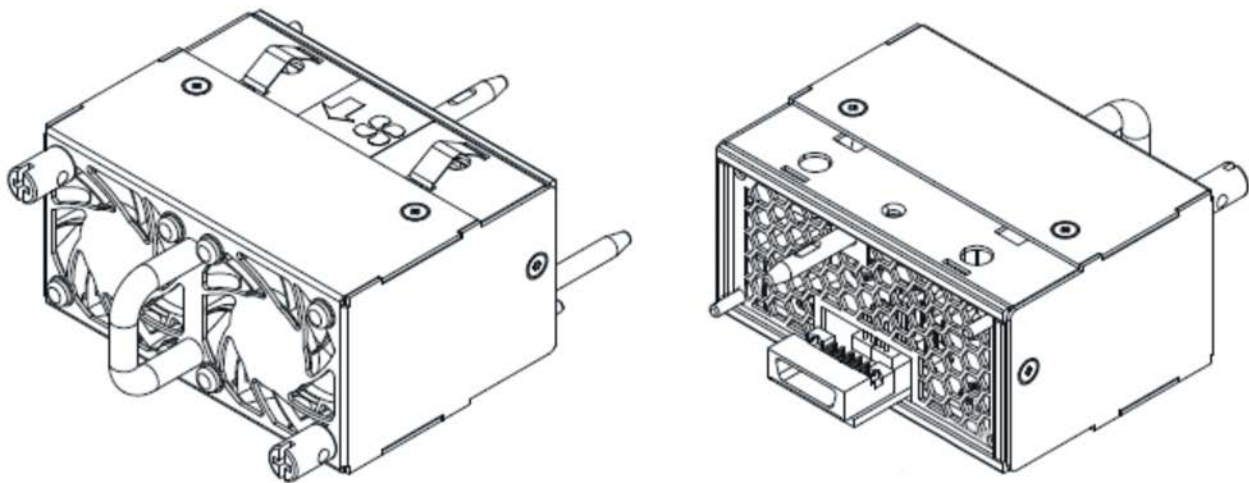


Figure 2: Fan tray

Power Supply Compatibility with Cooling Fans

Power supplies support hot-swap and are available in two models to support cooling fan airflow modes.

If you are using front to back cooling or back to front cooling, ensure that you use compatible power supplies that match the cooling fan airflow.

The following figure shows AC power supply.

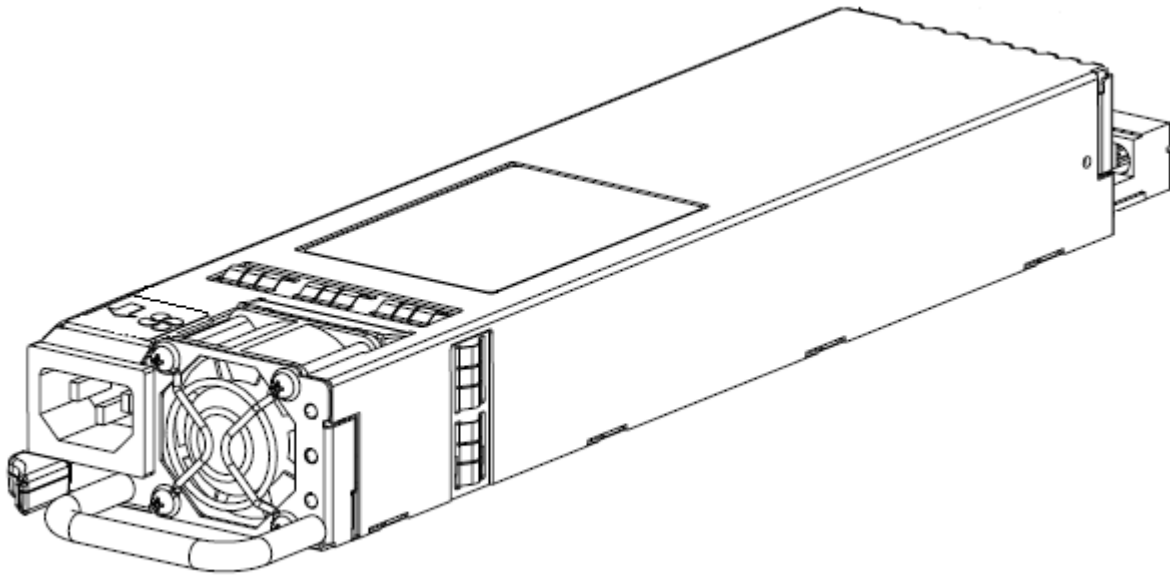


Figure 3: AC power supply

Redundant Power Supply Configurations

You can install two or four power supplies for redundancy and load sharing. You can hot-swap power supplies for nonstop, uninterrupted switch operation.

Power Supply Monitoring

For enhanced monitoring, power supplies send information to the switch software about the type (AC and airflow mode).

Installing the Fan Trays and Power Supply

Your switch supports a combination of field-replaceable power supplies and cooling fan trays. Depending on the switch model, two or four trays are included with your switch. You must install the fan trays and at least one power supply before using the switch. The optional power supply unit can be installed for redundancy and load sharing.

For more information, see [Supported number of fan trays and power supplies](#) on page 33.

The following figures show fan trays and power supply location:

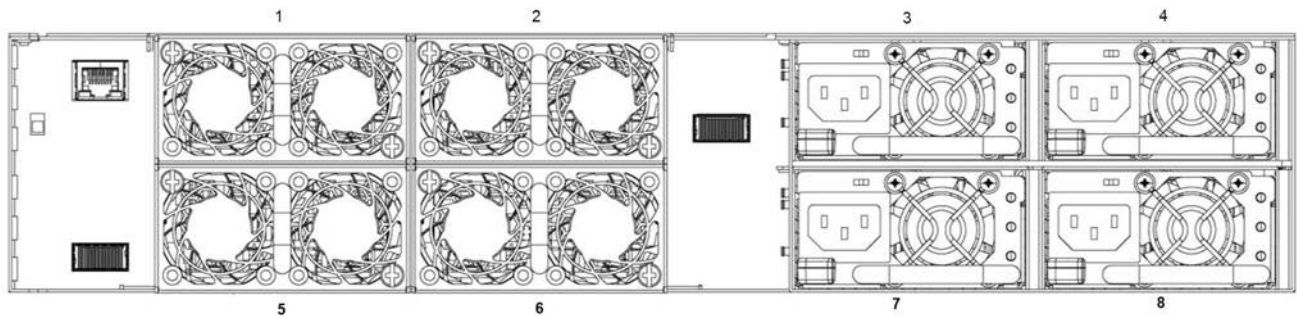


Figure 4: ERS 59100GTS and ERS 59100GTS-PWR+ rear panel

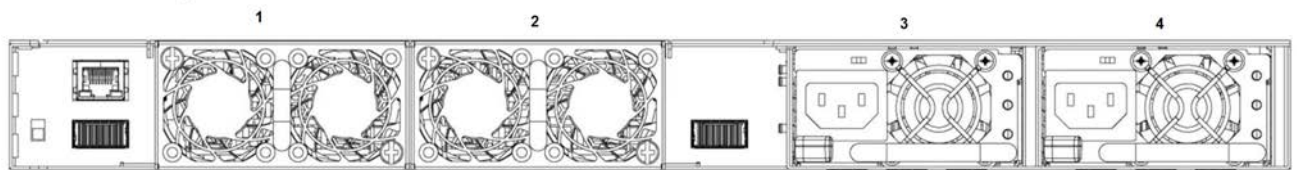


Figure 5: ERS 5900 Series rear panel

1	Fan Tray 2
2	Fan Tray 1
3	Power Supply Unit 1 (PS 1)
4	Power Supply Unit 2 (PS 2)
5	Fan Tray 4
6	Fan Tray 3
7	Power Supply Unit 3 (PS 3)
8	Power Supply Unit 4 (PS 4)

To install the fan trays and power supplies to your switch, use the following procedure.

! **Important:**

Supported cooling airflow directions are: front to back or back to front. The airflow direction of fan trays and power supplies are labelled and fixed. Ensure the fan trays and power supplies have the same direction of airflow.

The fan trays and power supplies do not support the ability to change their airflow direction. The first power supply determines the airflow direction.

In a single power supply installation, keep the blanking plate installed over the unused power supply slot for proper cooling. You should use PS 1 (the left most power supply slot when viewed from the front) in a single power supply installation.

Before you begin

Verify that the fan trays and power supply are compatible—ensure that the airflow direction for all fans and power supplies match.

Procedure

1. Insert each fan tray into a rear fan tray slot.
2. Verify that each fan tray is fully seated in the slot and secure each fan tray with two thumb screws.
3. Insert each power supply into a rear power supply slot.

If a blanking plate covers the required power-supply slot, remove the plate before inserting the power supply.

4. Verify that each power supply is fully seated in the slot and securely clipped in place.

Example

The following figures show how to properly insert the cooling fan trays and power supplies into your switch.

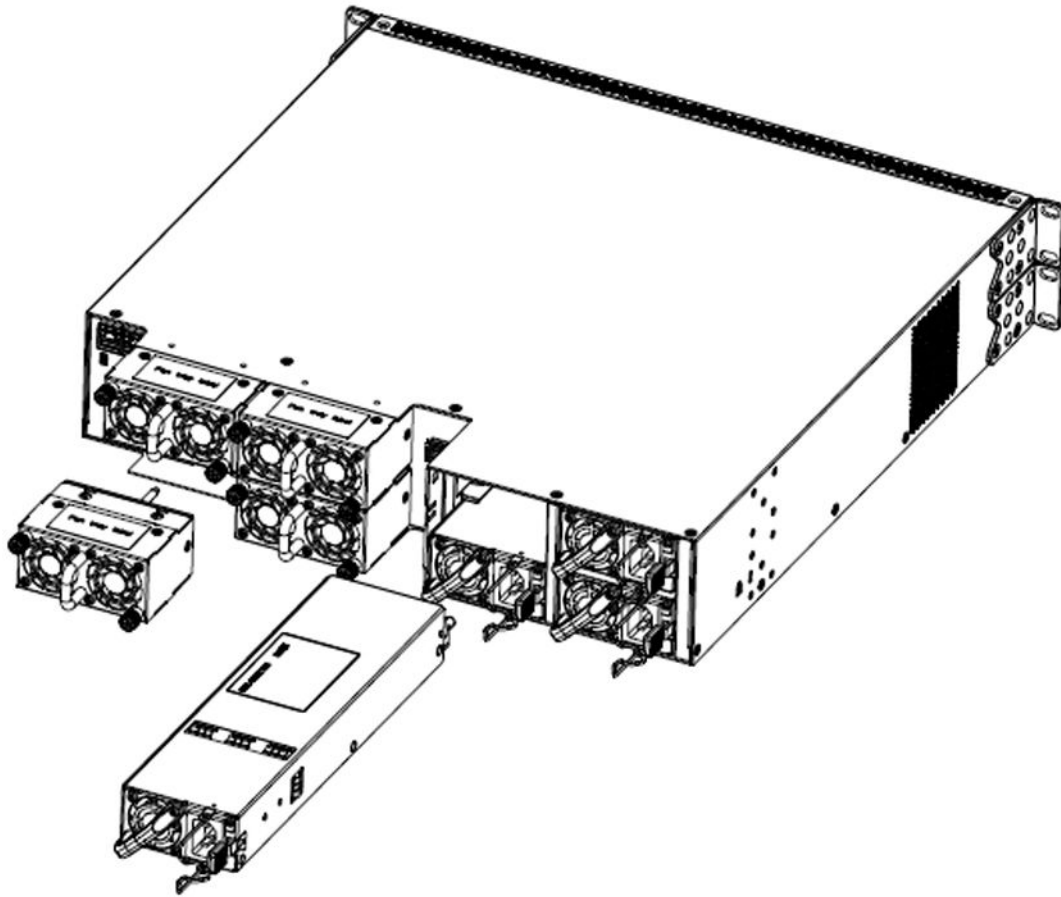


Figure 6: Installing the fan trays and power supplies in ERS 59100GTS and ERS 59100GTS-PWR+

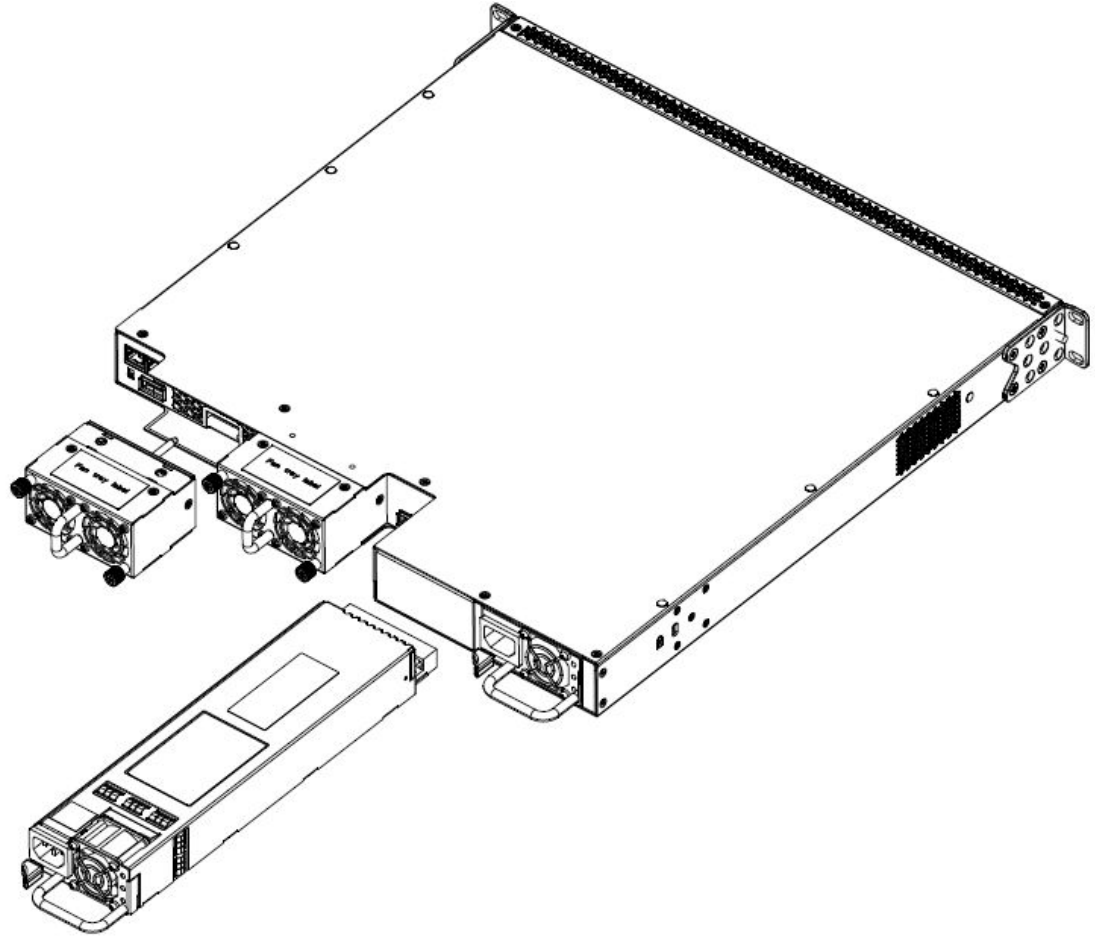


Figure 7: Installing the fan trays and power supplies in ERS 5900 Series

Next steps

After you install the two fan trays and at least one power supply, you can install and connect power to the switch.

Connecting AC Power

Perform the following procedure to connect an AC power source to the switch.

Before you begin

To connect AC power to the switch an appropriate AC power cord is required. Ensure the switch power supply supports AC power input.

 Danger:

Use only power cords with a grounding path. Without a proper ground, a person who touches the switch is in danger of receiving an electrical shock. A switch without a proper grounding path can result in excessive emissions.

Procedure

1. Plug the female end of the AC power cord into the back of the switch power supply.

 Note:

The switch will power on immediately when it is connected to a suitable AC power source. The switch does not have a power switch.

2. Plug the male end of the AC power cord into a suitable AC power outlet.

 Caution:

Ensure you only use an appropriately rated AC power cord. Do not use an extension cord.

 Warning:

The only way to turn off the switch is to disconnect the power. Always connect the AC power cord in a location that can be reached quickly and safely in case of an emergency.

Chapter 5: Switch Installation

The switch can be installed on an equipment rack or using optional four-post rack-mount brackets.

See the following sections for installing the switch depending on the switch model:

Switch model	Procedure	Description
ERS 5928MTS-uPWR, ERS 5928GTS, ERS 5928GTS-PWR+, ERS 5928GTS-uPWR, ERS 5952GTS, and ERS 5952GTS-PWR+	Installing the ERS 5900 switch in an equipment rack on page 41	Describes how to install the switch using the supplied brackets on a two-post equipment rack. The brackets secure the chassis and prevent it from sliding around during vibration or when inserting or extracting transceivers.
	Installing the switch using optional four-post rack mount brackets on page 47	Describes how to install the switch using optional four-post rack mount brackets and then, slide the switch. The brackets secure the chassis and prevent it from sliding around during vibration or when inserting or extracting transceivers.
ERS 59100GTS and ERS 59100GTS-PWR+	Installing ERS 59100GTS and ERS 59100GTS-PWR+ in an equipment rack on page 43	Describes how to install the switch using the supplied brackets on a two-post equipment rack. The brackets secure the chassis and prevent it from sliding around during vibration or when inserting or extracting transceivers.
	Installing the switch using optional four-post rack mount brackets on page 47	Describes how to install the switch using optional four-post rack mount brackets and then, slide the switch. The brackets secure the chassis and prevent it from sliding around during vibration or when inserting or extracting transceivers.

Installing ERS 5900 Series Switch in an Equipment Rack

About this task

Use the following procedure to install ERS 5900 Series switches in an equipment rack.

Before you begin

Tool requirements

- Phillips screwdriver to attach brackets to the switch and the switch to the rack

Rack requirements

- EIA or IEC-standard 19-inch (48.2-centimeter) equipment rack that is bolted to the floor and braced, if necessary.
- Rack is grounded to the same grounding electrode used by the power service in the area. The ground path must be permanent and must not exceed 1 Ohm of resistance from the rack to the grounding electrode.
- Appropriate rack space is available to accommodate 1U switch height (44 mm).

* Note:

We do not supply the bolts used to secure the switch to the rack. Ensure you obtain the appropriate bolts to secure the switch to your specific rack before you begin.

Procedure

1. Ensure power is disconnected from the switch.
2. Attach a bracket to each side of the switch with the included screws.

You have different options for front and rear mounting positions. Attach the brackets in the best position for your specific equipment rack.

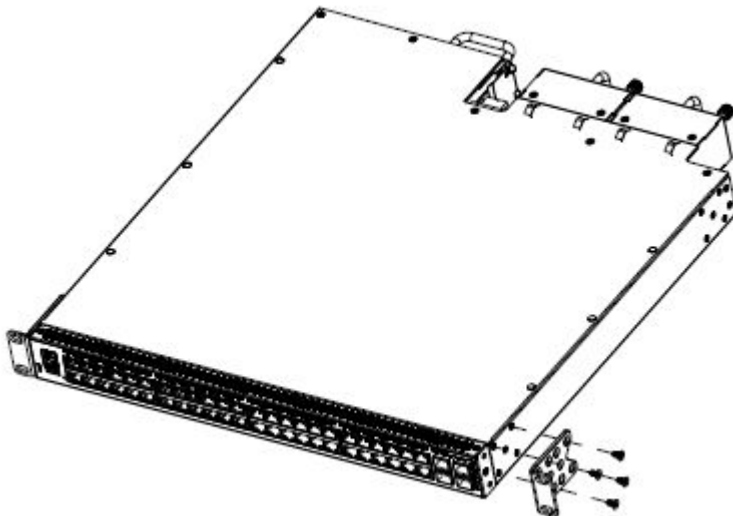


Figure 8: Front-mounted rack bracket installation

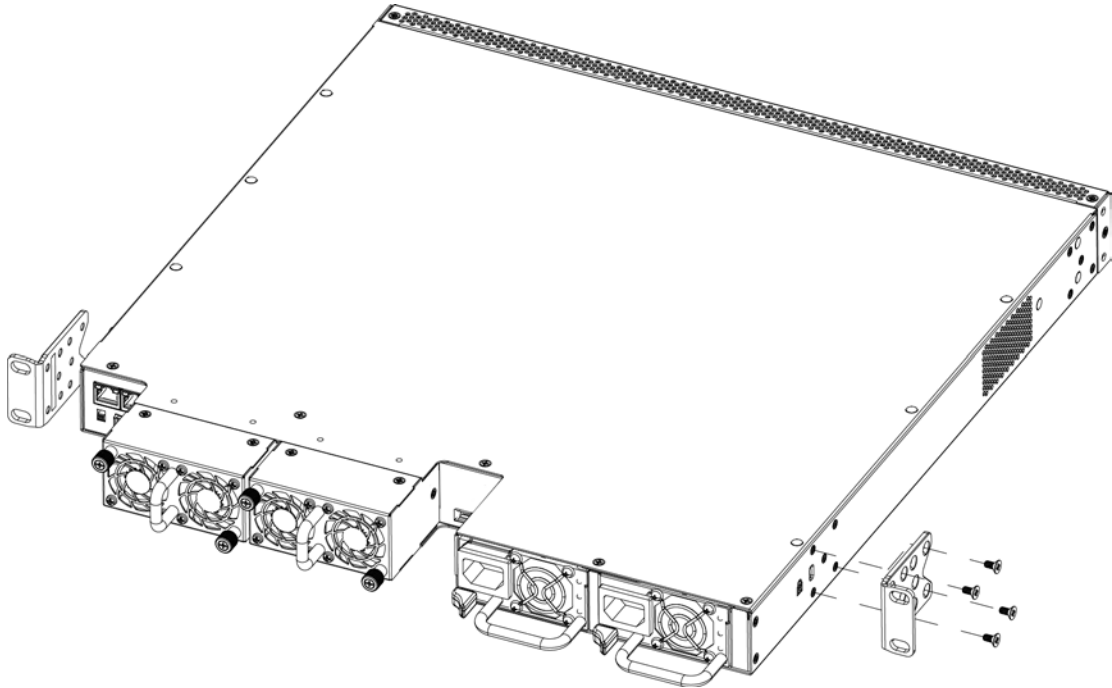


Figure 9: Rear-mounted rack bracket installation

3. Slide the switch into the rack.
4. Insert and tighten the rack mount screws.

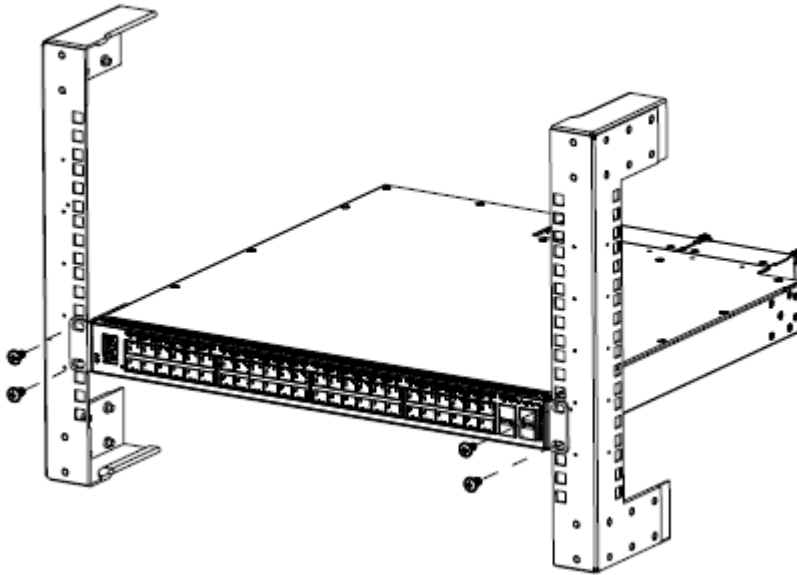


Figure 10: Front-mounted rack installation

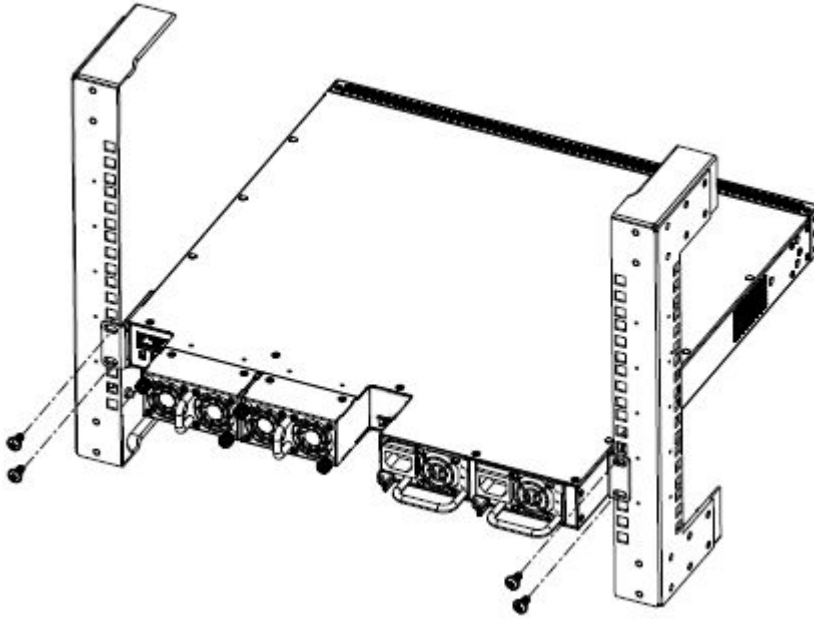


Figure 11: Rear-mounted rack bracket installation

Installing Ethernet Routing Switch 59100 Series Switches in an Equipment Rack

About this task

Use the following procedure to install Ethernet Routing Switch 59100 Series in an equipment rack. To install other switches in ERS 5900 Series, see [Installing ERS 5900 switch in an equipment rack](#) on page 41.

Before you begin

Tool requirements

- Phillips screwdriver to attach brackets to the switch and the switch to the rack.

Rack requirements

- EIA or IEC-standard 19-inch (48.2-centimeter) equipment rack that is bolted to the floor and braced if necessary.
- Rack is grounded to the same grounding electrode used by the power service in the area. The ground path must be permanent and must not exceed 1 Ohm of resistance from the rack to the grounding electrode.
- Appropriate rack space is available to accommodate 2U switch height (88.5 mm).

*** Note:**

We do not supply the bolts used to secure the switch to the rack. Ensure you obtain the appropriate bolts to secure the switch to your specific rack before you begin.

Procedure

1. Ensure power is disconnected from the switch.
2. Attach a bracket to each side of the switch with the included screws.

You have different options for front and rear mounting positions. Attach the brackets in the best position for your specific equipment rack.

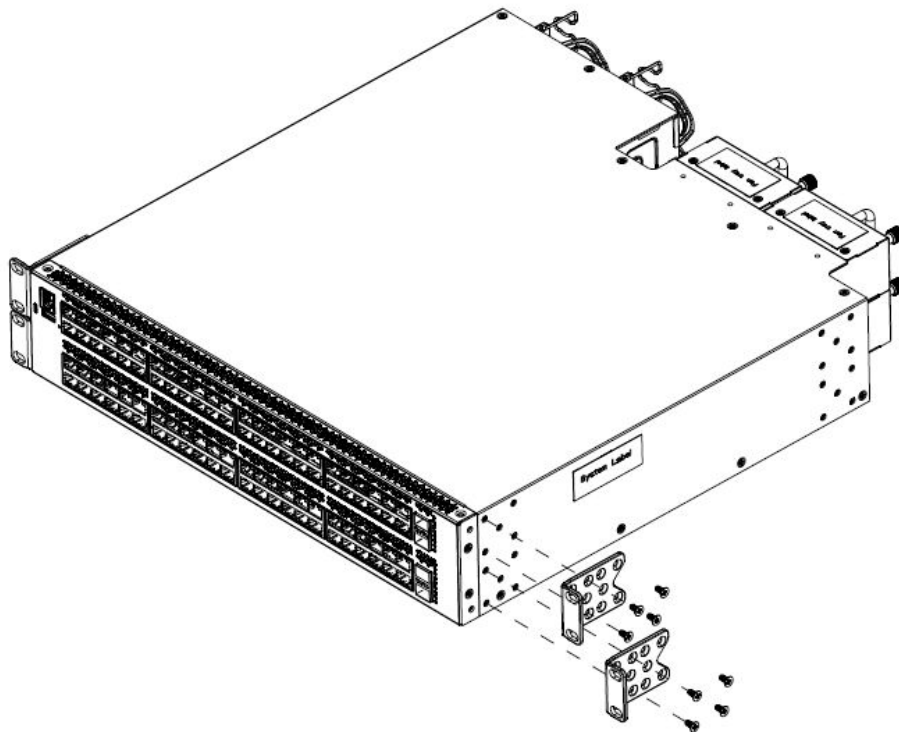


Figure 12: Front-mounted rack bracket installation

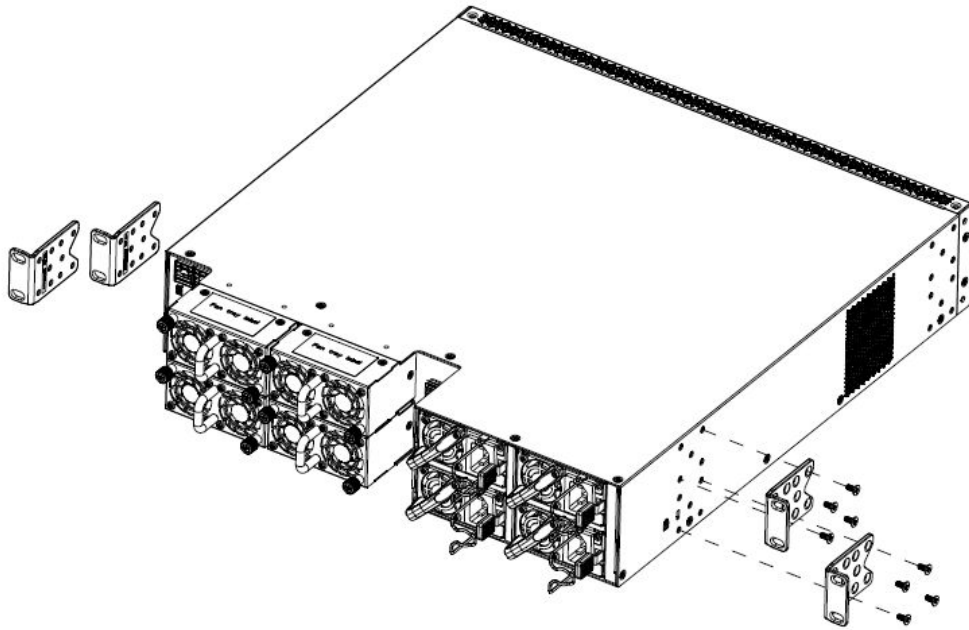


Figure 13: Rear-mounted rack bracket installation

3. Slide the switch into the rack.

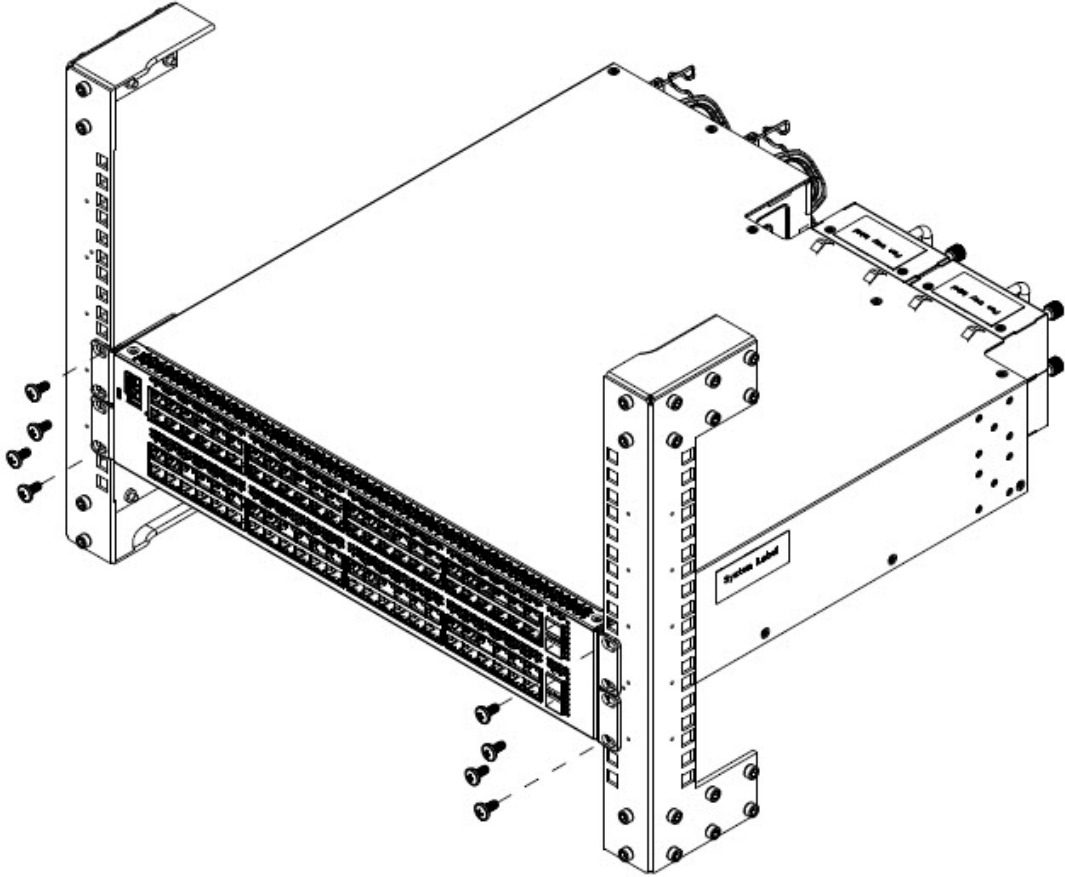


Figure 14: Front-mounted rack installation

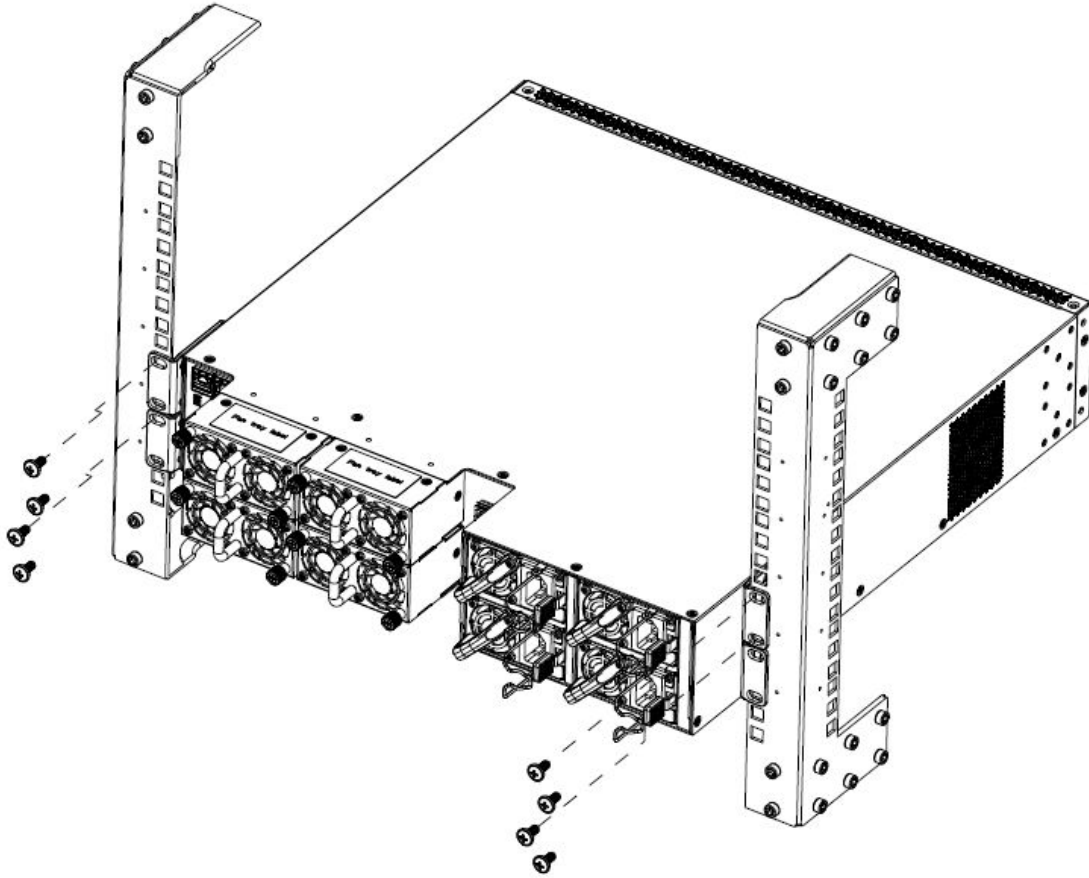


Figure 15: Rear-mounted rack installation

4. Insert and tighten the rack mount screws.
5. Verify that the switch is securely fastened to the rack.

You can proceed with the installation by connecting power and network connections to the switch.

Installing the Switch Using Optional Four-Post Rack-Mount Brackets

Perform this procedure to assemble and install the four-post rack-mount bracket kit.

Before you begin

Ensure you have the ERS 5900 Series four-post server rack-mount kit — AL5911001-E6

Tool requirements

- Phillips screwdriver to attach brackets to the switch and the switch to the rack.

- Hex wrench to assemble and attach the optional four-post rack-mount brackets.

Rack requirements

- Space of 2.8 inches (7.1 centimeters) for each switch in an E1A or 1EC standard 19 inch (48.2 centimeter) equipment rack and T1A 23 inch (58.5 centimeter) equipment rack.
- Appropriate rack space to accommodate 1U or 2U switch height.
- Four-post rack bolted to floor and braced if necessary.
- Four post-rack must be grounded to the same grounding electrode used by the power service in the area. The ground path must be permanent and must not exceed 1 ohm of resistance from the rack to the grounding electrode.

Verify that you have all the screws and brackets to assemble and install the four-post rack mount kit.

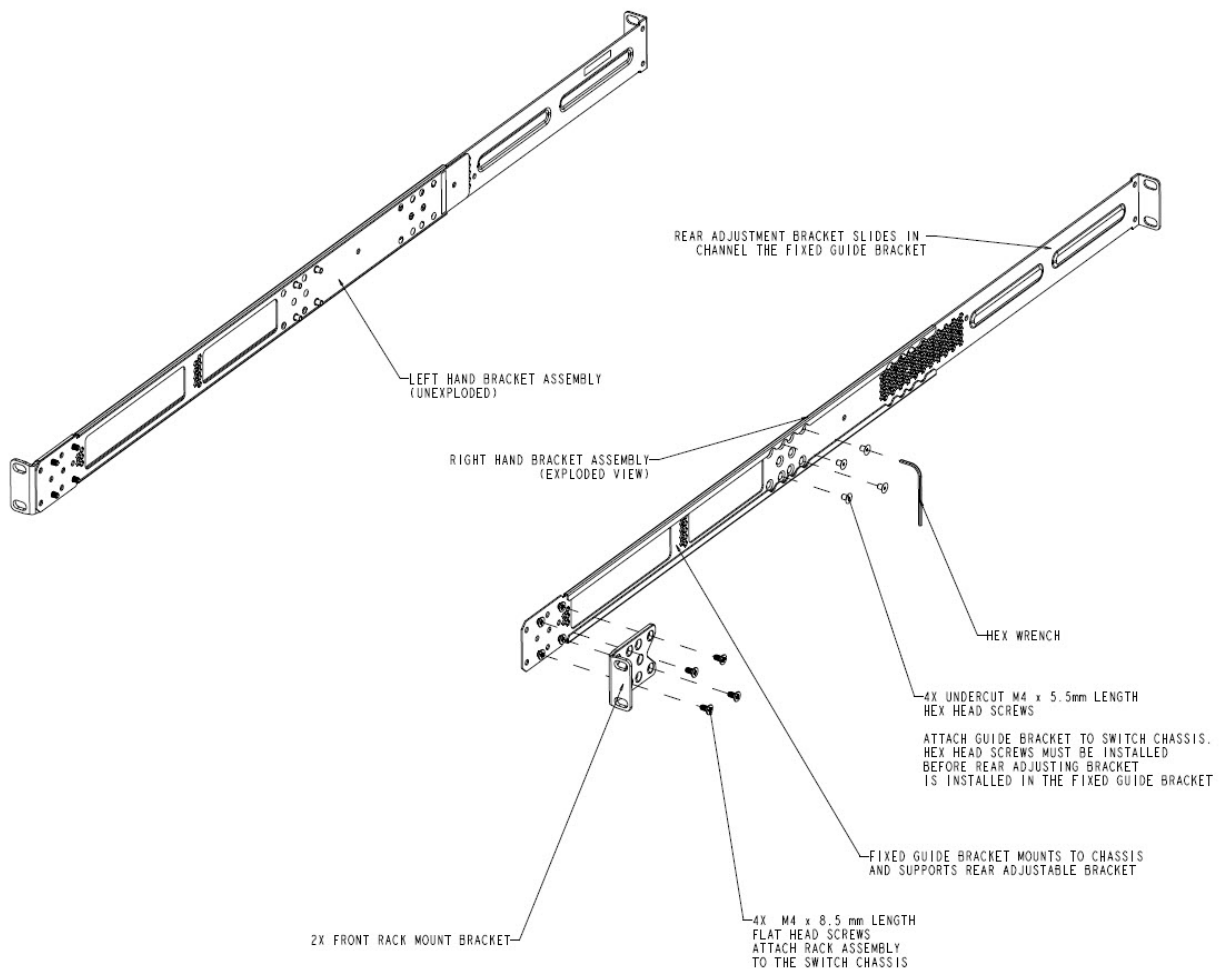


Figure 16: Four-post rack-mount kit assembly

Procedure

1. Attach a front bracket to each guide bracket with four 8.5 mm length flat head machine screws.

2. Attach the guide brackets to the switch chassis.

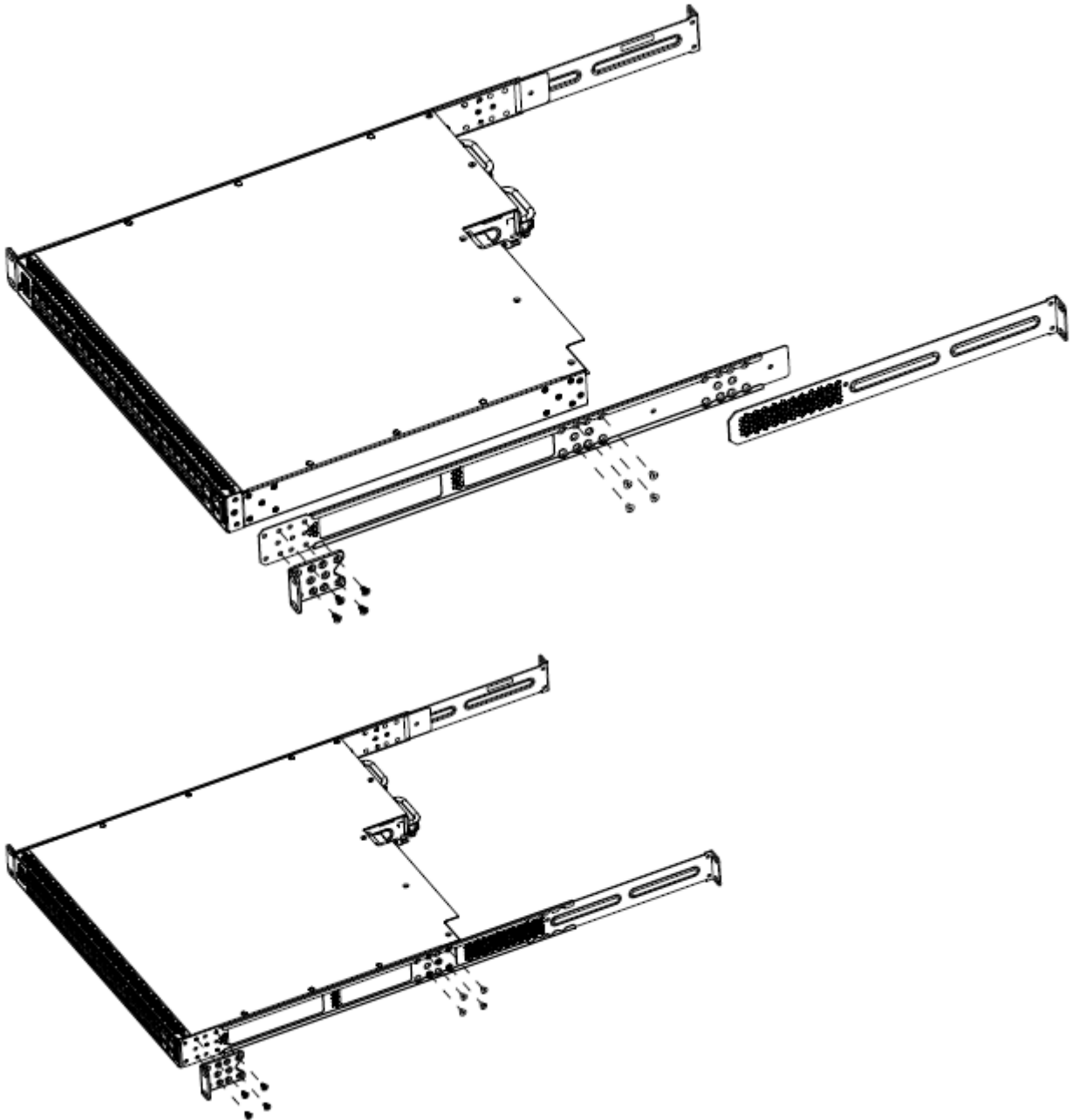


Figure 17: Attaching guide brackets to ERS 5900 switch

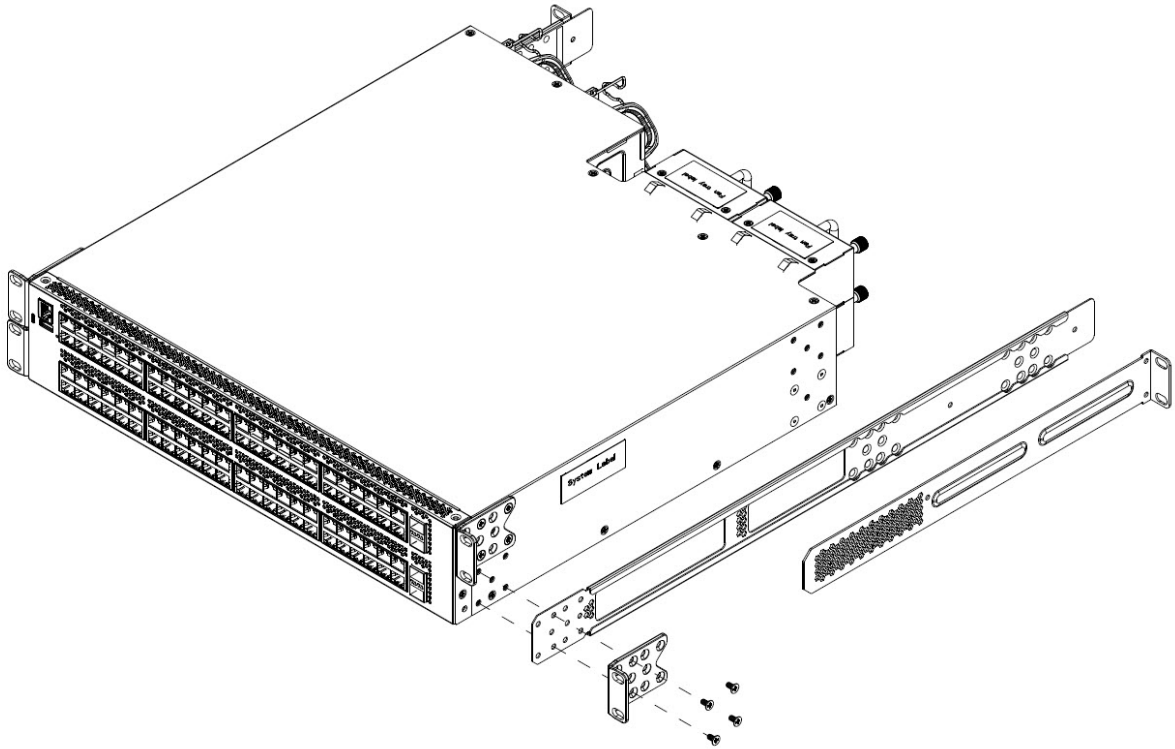


Figure 18: Attaching guide brackets to ERS 59100 switch

- a. Use four M4 x 5.5 mm undercut flat-head hex machine screws to attach the rear of each guide bracket to the switch chassis.
 - b. Verify that the rear screws sit flush in the guide brackets.
 - c. Test fit the rear mounting brackets in the guide brackets and verify that the rear brackets can slide in the channels. Remove the rear brackets.
3. Install the switch into the equipment rack, temporarily using only the front rack mounts and screws.

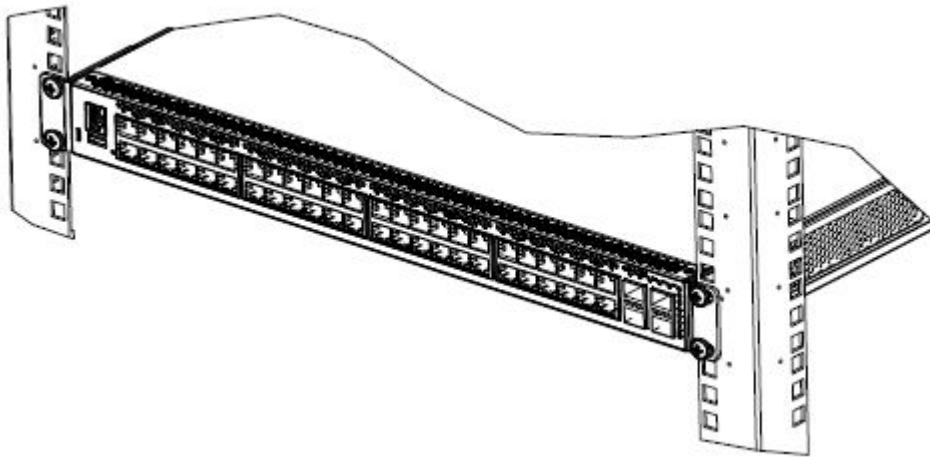


Figure 19: Install ERS 5900 switch in rack using front rack mounts

4. Attach the rear mounting brackets and secure the switch to the rear rack posts.
 - a. Slide a rear mounting bracket into each guide bracket channel until flush with the rear rack posts.
 - b. Secure the rear mounting brackets to the switch chassis with the pan-head screws.

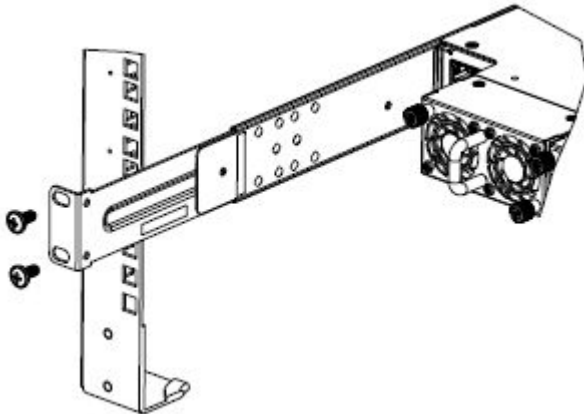


Figure 20: Attach ERS 5900 switch rear mounting brackets

You can proceed with the installation by connecting power and network connections to the switch.

Single and Multiple Switch Arrangements

This module describes standalone and stacked arrangements.

You can stack any of the switches in the ERS 5900 Series. You can connect up to eight switch devices that are in one Rack Unit (RU) height in a stack to provide uninterrupted connectivity for up to 384 ports.

For ERS 5900 Series, the stacking bandwidth is 42 Gbps per port and 84 Gbps per switch.

*** Note:**

The height of ERS 59100GTS and ERS 59100GTS-PWR+ are 2 RUs. You can connect up to four switch devices in a stack.

Standalone Arrangement

Any one switch can operate in a standalone configuration. You can add more switches as your traffic increases.

Stack Arrangement

You connect the switches in the stack by the stack connectors. You designate one unit as the base unit by setting a switch on the back panel.

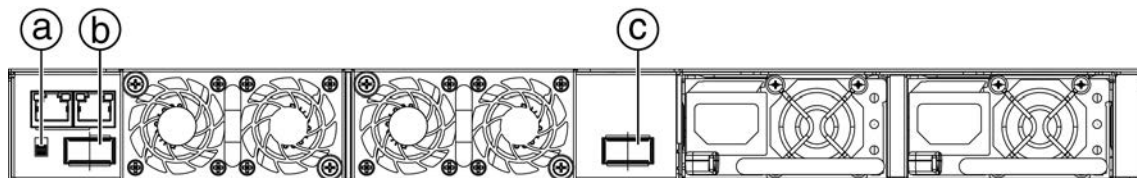
The stack connector is a component of the back panel and consists of the Base Unit Select switch, Cascade Down connector, and Cascade Up connector.

The Cascade Down connector connects this switch to the next unit in the stack through a cascade cable. A connection from this connector must be attached to the Cascade Up connector of the next switch in the stack. A return cable from another Cascade Down connector to this unit's Cascade Up connector completes the stack connection.

! Important:

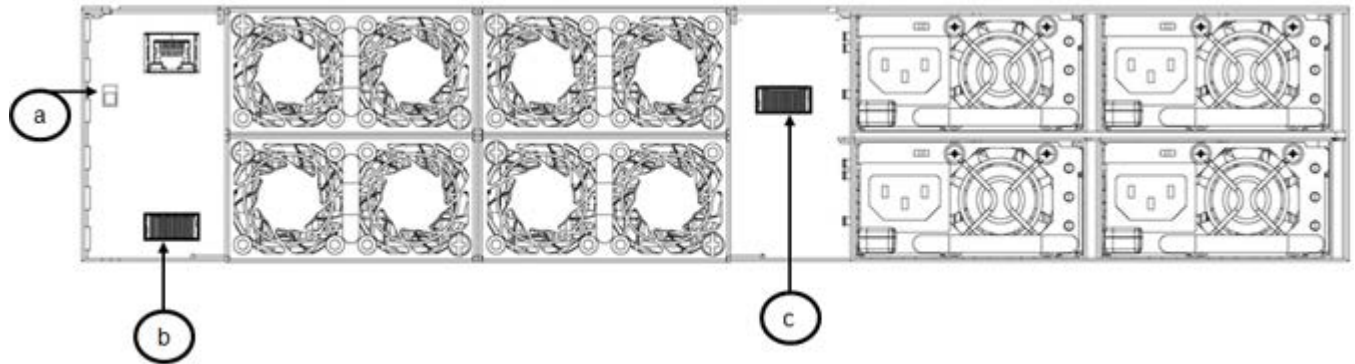
To create a stack connection, order the appropriate cascade cables to ensure fail-safe stacking. Order stacking cables of the correct length for a stack of three or more units. You require one long cable (stack return cable) to complete the loop in a stack from the bottom unit to the top unit. See [Cascade Down](#) on page 54 and [Cascade Up](#) on page 56.

The Cascade Up connector provides an attachment point for accepting a cascade cable connection from another unit in the stack. A return cable from the Cascade Down connector to the Cascade Up connector on the adjacent unit completes the stack connection.



- a. Base Unit switch
- b. Cascade Down connector
- c. Cascade Up connector

Figure 21: ERS 5900 stack connectors



- a. Base Unit switch
- b. Cascade Down connector
- c. Cascade Up connector

Figure 22: ERS 59100 stack connectors

Understanding Stack Types

Due to stack parameters being associated with the base unit, the physical stack order depends on the base unit position and whether the stack is configured cascade up (stack up) or cascade down (stack down). This designation depends on the stack cabling arrangement.

The Unit Select switch is used to designate a switch in the stack as a base or non-base unit. Sliding the switch down designates that switch as the base unit. Only one switch in a stack can have the Unit Select switch in the base unit position. All other switches in the stack must have the Unit Select switch in the up position which designates them as non-base units.

During the initial installation of the stack, the software automatically determines the physical order of all units in the stack according to the position of the base unit within the stack. Thereafter, the individual units maintain their original unit numbering, even if the position of one or more units in the stack is changed.

For example, when the stack is initially powered, the base unit becomes unit 1 and the unit that the base unit connects to (via the Cascade Down cable) becomes unit 2 (and the next unit is unit 3 and so on), until the maximum stack configuration (up to eight units for an ERS 5900 Series stack and up to four units for an ERS 59100 stack) is reached. If the base unit is changed to another unit in the stack, the new base unit keeps its original unit number in the stack.

When a switch participates in a stack configuration, a stack MAC address is automatically assigned during stack initialization. The stack MAC address is the base unit MAC address plus 1. If another unit in the stack is assigned as the base unit, the new stack MAC address is the MAC address of the new base unit plus 1. The original stack IP address still applies to the new base unit.

If an assigned base unit fails, the next unit in the stack order automatically becomes the new temporary base unit. This change is indicated by the Base LED on the temporary base unit LED display panel moving to a steady amber state.

This automatic failover is a temporary safeguard only. If the stack configuration loses power, the temporary base unit will not power up as the base unit when power is restored. Also, if the original unit rejoins the stack, it will not resume base unit status. For this reason, always assign the temporary base unit as the base unit until the failed unit is repaired or replaced.

! Important:

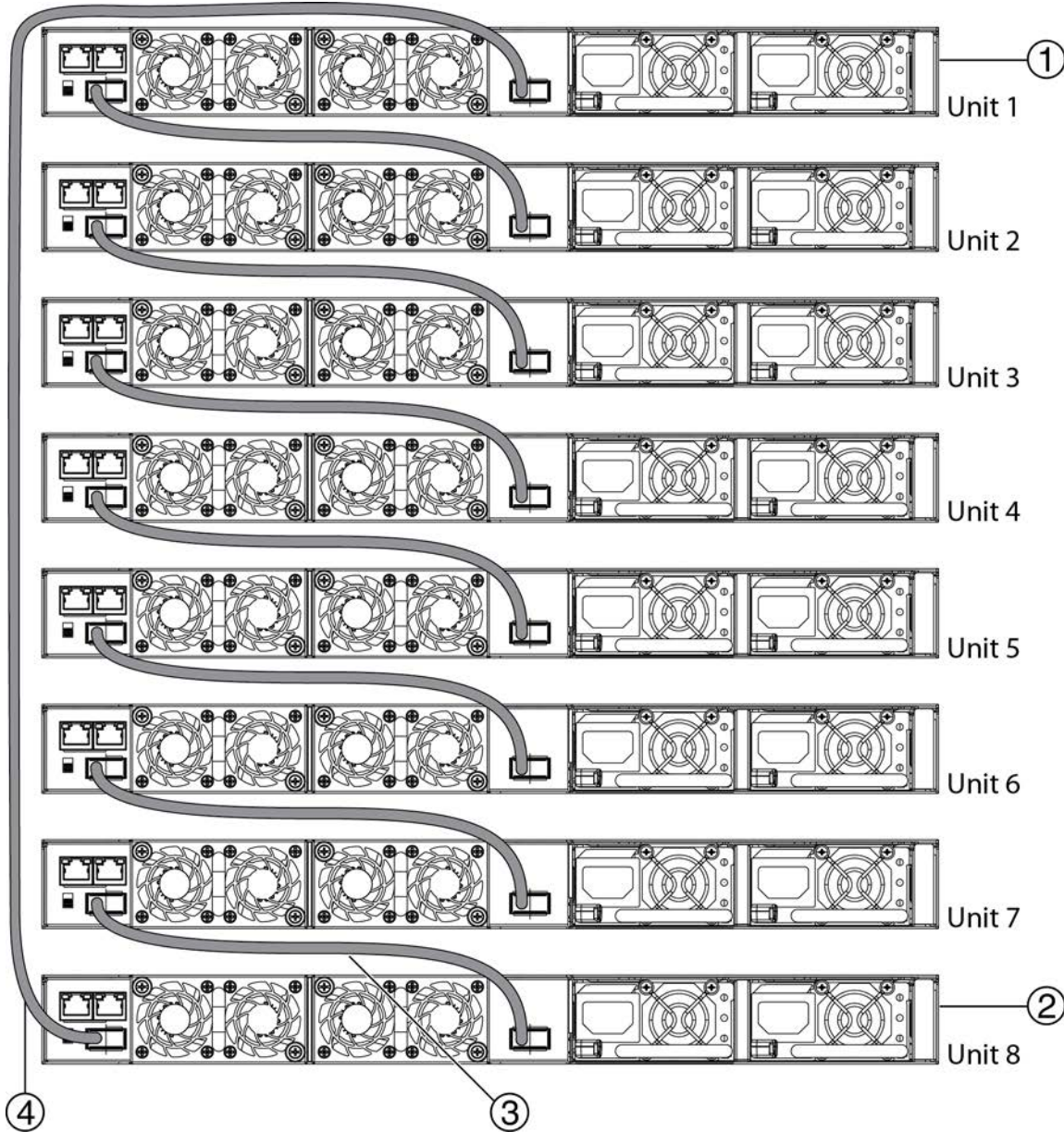
If the temporary base unit is not assigned as the new base unit, and the temporary base unit fails, the next unit in the stack order becomes the temporary base unit. This process will continue after successive failures until only two units are left in the stack.

Regardless of stack configuration, the following applies:

- When power is applied to the stack the base unit initializes, typically within 60 seconds, and the entire stack powers up as a single logical unit.
- An RS-232 communications cable can be attached to the console port of any switch in the stack to establish a console connection.
- A software upgrade can be performed on the stack from any switch using the console interface, a Telnet session, the Enterprise Device Manager interface, or any SNMP-based management software.
- The stack can be managed using a Telnet session, Enterprise Device Manager interface, or any SNMP-based management software through any stack switch port.

Cascade Down

The system automatically numbers the physical units based on the designated base unit (Unit 1). In a cascade down configuration, the base unit is physically located as the top unit in the stack. The cable connected to the Cascade Down connector of the base unit terminates in the Cascade Up connector on the next unit in the stack which is physically located below the base unit. This next unit is designated Unit 2. The stack is wired downward through the units and the system continues to number in this manner throughout the stack. In this configuration, the base unit discovers the stack in a cascade down (stack down) direction. The following illustration shows a cascade down (stack down) configuration for ERS 5900 switch series. The ERS 59100 switch can be connected similarly.



- 1 = Base unit
- 2 = Last unit
- 3 = 0.5m Cascade/Stack cable
- 4 = 1.0m Cascade/Stack cable (Return cable)

Figure 23: ERS 5900 cascade down configuration

*** Note:**

Return cable length may vary depending on unit spacing. Ensure you order the proper length return cable to provide adequate strain relief.

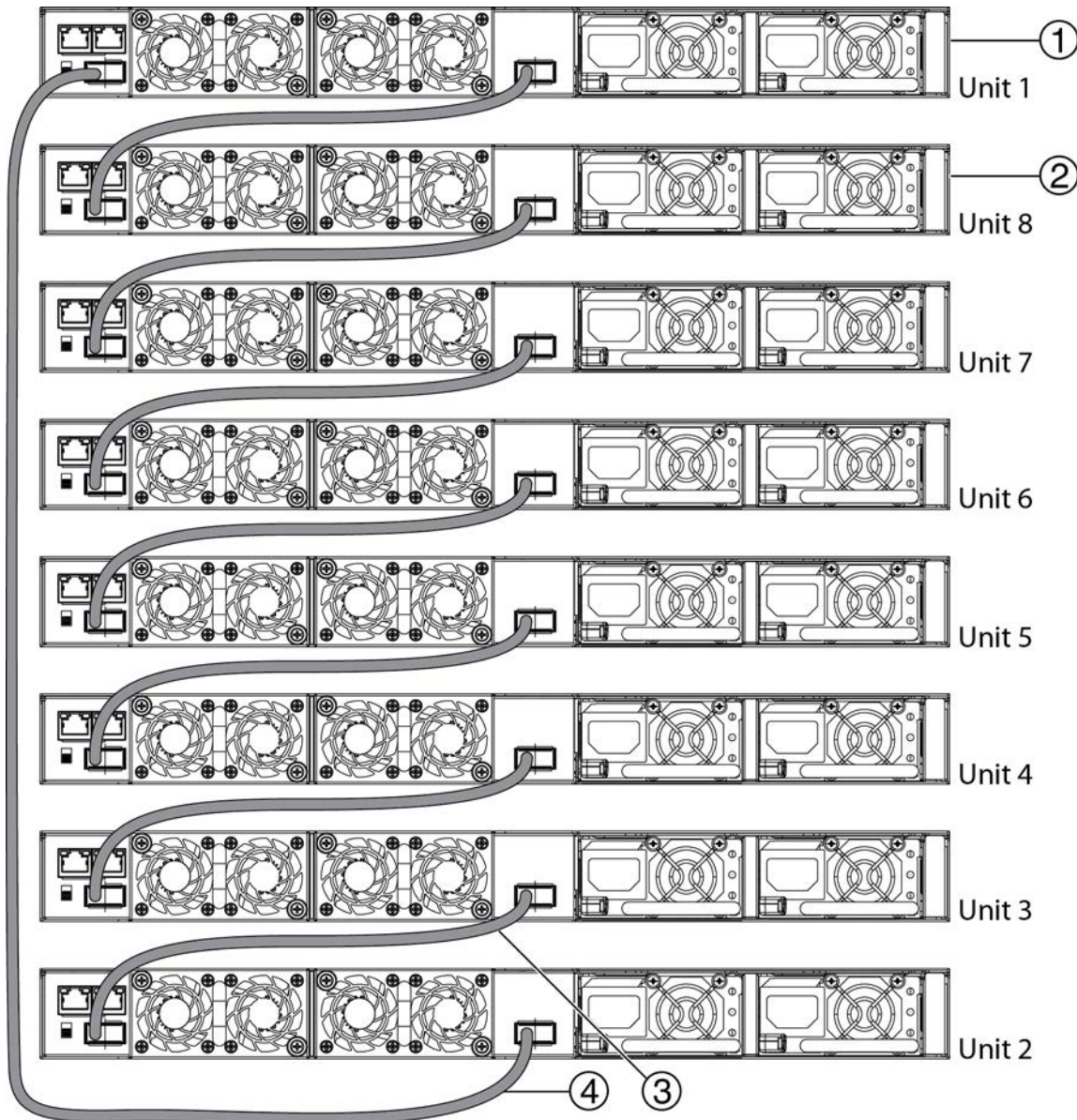
! **Important:**

This configuration is recommended because many network management software packages assume a cascade down (stack down) configuration.

For stack installation procedures, see [Stack Configuration](#) on page 59.

Cascade Up

In a cascade up (stack up) configuration, the base unit is physically located as the top unit in the stack. The cable connected to the Cascade Down connector of the base unit terminates in the Cascade Up connector physically located at the bottom of the stack. This next unit is designated Unit 2. The stack is wired upward through the units and the system continues to number in this manner throughout the stack. In this configuration, the base unit discovers the stack in a cascade up (stack up) direction. The following illustration shows a cascade up (stack up) configuration.



- 1 = Base unit
- 2 = Last unit
- 3 = 0.5m Cascade/Stack cable
- 4 = 1.0m Cascade/Stack cable (Return cable)

Figure 24: Cascade up configuration

*** Note:**

Return cable length may vary depending on unit spacing. Ensure you order the proper length return cable to provide adequate strain relief.

For stack installation procedures, see [Stack Configuration](#) on page 59.

Redundant Cascade Stacking

The ERS 5900 Series switches allow a stack of up to eight units in a ERS 5900 stack. If any single unit fails or if a cable is accidentally disconnected, other units in the stack remain operational without interruption.

In addition to increasing bandwidth, the software uses the cables to provide two paths between units. If one path breaks the data travels over the remaining path with half the normal inter-switch bandwidth.

The following diagram shows an example of how a stack configuration reacts to a failed connection in the stack configuration. In the illustrated example, the following occurs:

- Unit 3 becomes non-operational due to a unit failure, cable disconnection, or a loss of power.
- Units 2 and 4, directly upstream and downstream from Unit 3, sense the loss of link signals from unit 3. The software causes all the data to traverse the remaining path.
- The Cascade Down LED for Unit 2 and the Cascade Up LED for Unit 4 turn amber to indicate an error has been detected.
- The remaining stack units continue to be connected.

There are four internal ports for two Cascade links. Internal ports 1 and 2 are associated with Cascade-Down link and internal ports 3 and 4 are associated with Cascade-Up link. When viewing the event log after a stack port goes down, use the following information to help determine the problem:

- Message Stack port 1 DOWN or Stack port 2 DOWN means Cascade-Down link is down.
- Message Stack port 1 UP or Stack port 2 UP means Cascade-Down link is up.
- Message Stack port 3 DOWN or Stack port 4 DOWN means Cascade-Up link is down.
- Message Stack port 3 UP or Stack port 4 UP means Cascade-Up link is up.

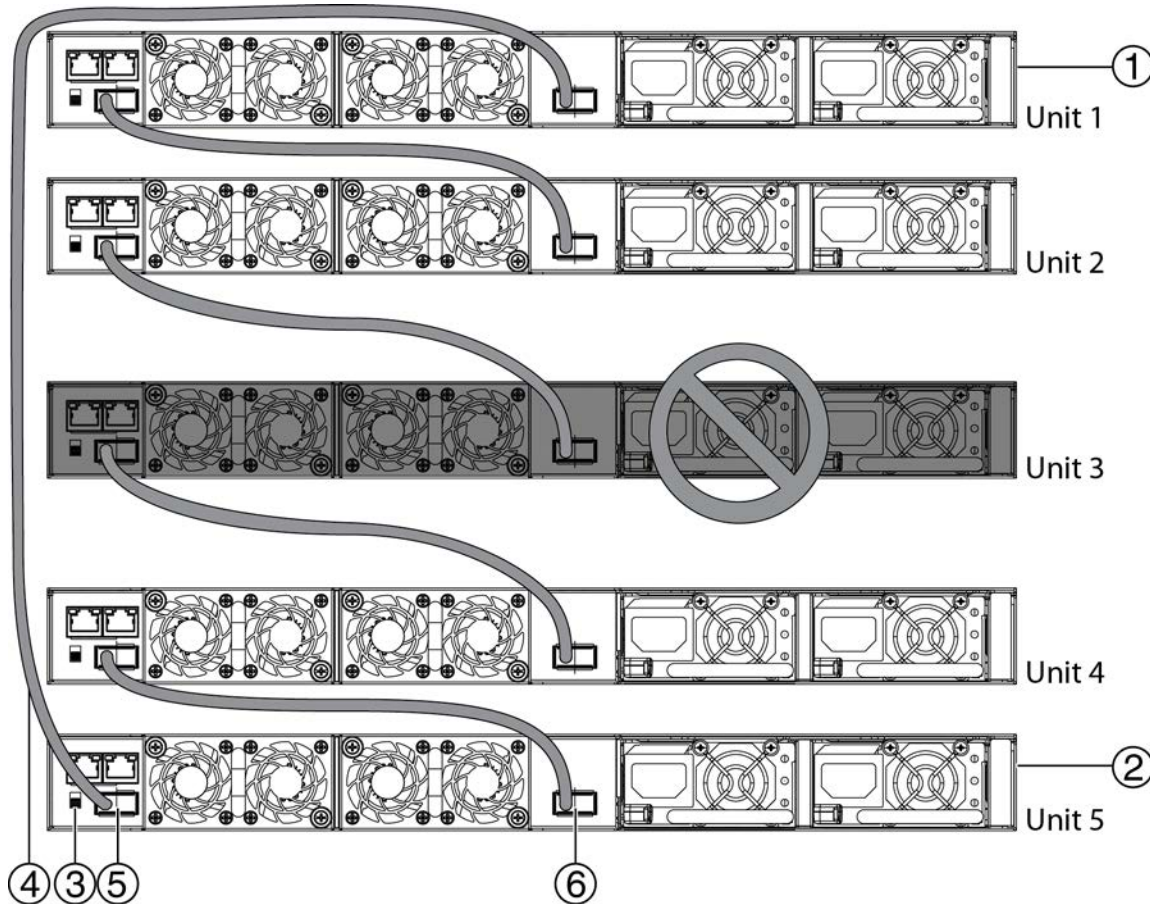


Figure 25: Redundant stack configuration

For stack installation procedures, see [Stack Configuration](#) on page 59.

Stack Configuration

About this task

This section describes the procedures to configure a stack.

! Important:

You can change base unit switches with switches on (hot), but changes do not take effect until switches are rebooted.

Selecting a Base Unit

About this task

This procedure describes the steps to select a base unit.

Procedure

1. Determine which unit will be the base unit.
2. Locate the Base Unit switch on the rear panel.
3. Slide the switch to the down position to designate it as the base unit.

Setting Non-Base Units**About this task**

The following procedure describes the steps to set the units as non-base switches.

Procedure

Set the Base Unit switches to the up position to designate them as non-base units.

Cabling a Stack

This procedure describes the steps to cable a stack.

Procedure

1. Choose a Cascade up or Cascade down configuration.
2. Connect cables as appropriate for the chosen configuration.
3. Select the base unit.
4. Connect the console cable.
5. Connect the AC power cord.

If you assign the base unit and non-base units with the switches powered up, you must reset the switches for the assignments to be applied.

Identifying Cables to use with the Ethernet Routing Switch

The following table lists the required cables for a switch and cable specifications.

Table 15: Switch cabling requirements

Required cable	Description
10/100/1GBase-T Ports	The interconnect cabling must conform to the Cat5e, Cat6, or Cat6e specification of the Commercial Building Telecommunications Cabling Standard, ANSI/TIA/EIA 568-B fitted with an RJ-45 Module Jack.
Console Port	Serial cable with a DB-9 female connector on both ends. The maximum length for the console port cable is 25 feet (8.3 meters).

Table continues...

Required cable	Description
Shared SFP Transceiver Ports	Varies with the installed SFP Transceiver. Refer to the documentation that was shipped with the SFP Transceiver for specifications.
USB Ports	USB 2.1 compliant cable with a USB Type A connector on both ends.

! **Important:**

In Autonegotiation mode, the switches automatically provide the proper MDI/MDI-X connection on the RJ-45 ports; thereby eliminating the need for crossover cables. When Autonegotiation is disabled on 10/100 ports, they are configured as an MDI-X connection.

Connecting a Transceiver to the Switch or Stack

The following sections describe small form factor pluggable (SFP) transceivers in the ERS 5900 Series.

For more information about transceiver use and designation, see [Extreme Networks Pluggable Transceivers Installation Guide](#).

Installing Transceivers

About this task

This procedure describes the steps used to install transceivers.

Procedure

1. Remove the transceiver from the protective packaging.
2. Verify that the transceiver is the correct model for the network configuration.
3. Grasp the transceiver between the thumb and forefinger.
4. Insert the transceiver into the proper module on the switch. Apply a light pressure to the transceiver until it clicks and locks into position in the module.
5. Remove the dust cover from the transceiver optical bores.

Job Aid

The following graphic shows an SFP transceiver.

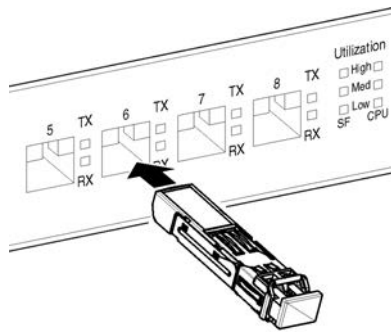


Figure 26: SFP transceiver

Supported Optical Devices

Use optical devices to achieve high-bit-rate communications and long transmission distances. The following section describes the supported optical devices on the switches.

! Important:

We recommend that you use the SFP and SFP+ transceivers documented in this document as they have been through extensive qualification and testing. Extreme Networks will not be responsible for issues related to third party transceivers.

Locating End of Sale Notices

To view the End of Sale notices, go to the Extreme Networks Website at <https://extremeportal.force.com/>.

Checking Status LEDs to Verify Switch Installation

Perform this procedure to verify the hardware installation and operation of the unit.

The eight status LEDs on the front of the unit indicate the installation and operational status of the hardware.

Before you begin

Perform the following tasks before checking the status LEDs.

- Install the fan trays and power supplies.
- Install the switch in an equipment rack or on a shelf.
- Connect power to the switch.

Procedure

1. Locate the status LEDs on the front of the unit; see the following figure.

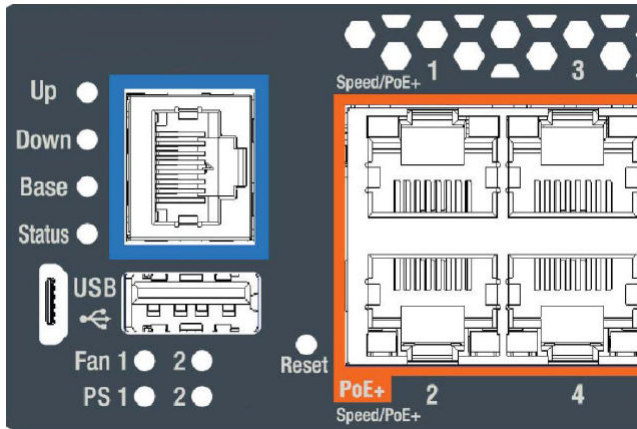


Figure 27: Status LEDs for ERS 5900 switch

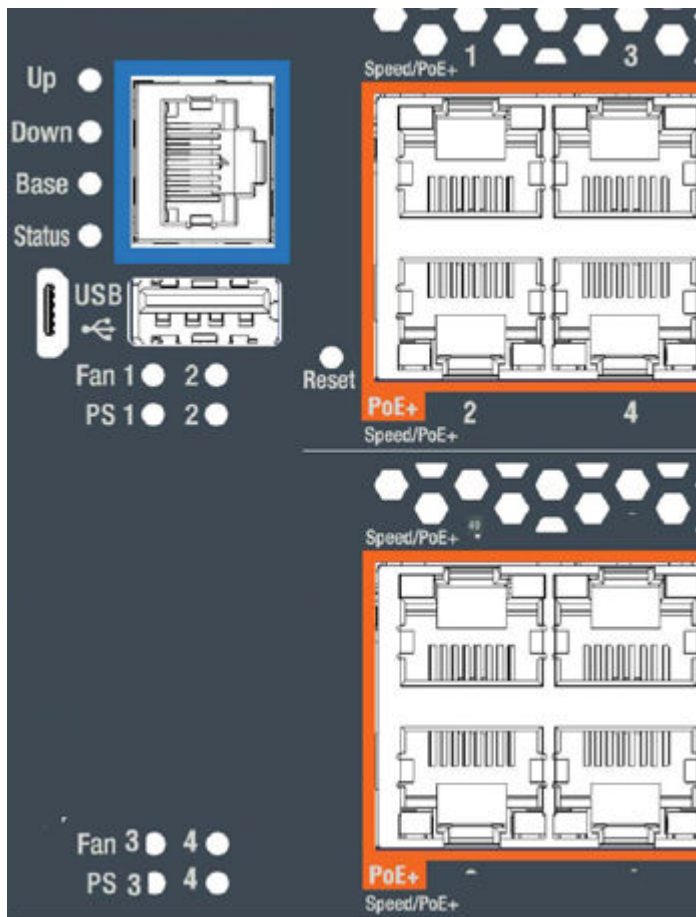


Figure 28: Status LEDs for ERS 59100 switch

2. View the status LED states to verify that the fan trays and power supplies are installed and operating correctly. You can also verify the status and operating mode of the unit.

For status LED state descriptions, see the following table.

Table 16: Status LED descriptions


LED	State	Description
Base	Off	The unit is operating in stand-alone mode. If in a Stack, the switch is not a Base unit or a Temporary Base unit.
	Amber (Solid)	The unit is operating as the Temporary Base unit.
	Amber (Blinking)	The unit has a Base unit election problem. Multiple units are configured with a Base unit switch on, or no unit has the Base unit switch on.
	Amber (Fast Flashing)	The unit did not join the Stack. Refer to the log for more information.
	Emerald (Solid)	The unit is operating as the Base unit in a Stack.
	Emerald (Blinking)	The unit joined the Stack and Automatic Unit Replacement is upgrading the diagnostics, agent, or configuration file.
Status	Off	The unit is not operating.
	Amber (Solid)	The unit encountered an error during diagnostics.
	Amber (Blinking)	The unit is booting. During boot the unit executes the boot loader and diagnostics.
	Emerald (Solid)	The unit is operating normally. Agent software is loaded.
	Emerald (Blinking)	The unit is loading the agent software.
Up/Down	Off	A Cascade Up or Down cable is not detected or connected to an adjacent unit.
	Amber (Solid)	A Cascade Up or Down cable is detected and connected to an adjacent unit, but adjacency with the neighbor is not complete.
	Emerald (Solid)	A Cascade Up or Down cable is detected and connected to an adjacent unit. Adjacency with the neighbor is complete.
	Emerald (Blinking)	The unit formed a partial neighbor with an adjacent unit. Check the Cascade Up and Down cable connections.  Note: If rear port mode is enabled, both Up and Down LEDs blink Emerald in synchronization. The Base LED is off.

Table continues...


LED	State	Description
PS 1 / PS 2 / PS 3 / PS 4	Off	The power supply in slot 1, 2, 3, or 4 is not connected to a power source.
	Amber (Solid)	The power supply in slot 1, 2, 3, or 4 is removed after operating (non-service-affecting).
	Amber (Blinking)	The power supply in slot 1, 2, 3, or 4 is installed, but not providing power to the switch (non-service-affecting).
	Emerald (Solid)	The power supply in slot 1, 2, 3, or 4 is operating normally.
	Emerald (Blinking)	The power supply in slot 1, 2, 3, or 4 is disconnected from power after operating (non-service-affecting).
	Emerald / Amber (Alternating)	The power supply in slot 2 is operating, but the airflow mode does not match the power supply in slot 1. You must replace the power supply to match the airflow.
Fan 1 / Fan 2 / Fan 3 / Fan 4	Ruby (Solid)	<p>If both fan LEDs are ruby, the unit shut down from an over-voltage fault or an over-temperature fault.</p> <p>For an over-voltage fault, the unit shuts down within 4 seconds. For an over-temperature fault, the unit shuts down immediately.</p> <p> Note:</p> <p>The unit software monitors the internal temperature and generates log and SNMP traps to indicate that the unit is running above the high-temperature threshold and is approaching a critical over-temperature fault.</p>
	Ruby (Blinking)	The fan tray in position 1, 2, 3, or 4 is missing. You must install a fan tray, and the fan tray must match the airflow mode of the power supply.
	Ruby (Fast Blinking)	The fan tray in position 1, 2, 3, or 4 is connected but is not operating. Replace the failed fan tray.
	Sapphire (Solid)	The fan tray in position 1, 2, 3, or 4 is front to back airflow and is operating normally.
	Sapphire (Blinking)	The fan tray in position 1, 2, 3, or 4 is front to back airflow and has degraded. Check for a fan failure and replace if necessary.

Table continues...

LED	State	Description
	Amethyst (Solid)	The fan tray in position 1, 2, 3, or 4 is back to front airflow and is operating normally.
	Amethyst (Blinking)	The fan tray in position 1, 2, 3, or 4 is back to front airflow and has degraded. Check for a fan failure and replace if necessary.
	Amethyst / Ruby (Alternating)	The fan tray in position 1, 2, 3, or 4 does not match the front to back airflow mode of the power supply. You must replace the fan tray with a front to back airflow model.
	Sapphire / Ruby (Alternating)	The fan tray in position 1, 2, 3, or 4 does not match the back to front airflow mode of the power supply. You must replace the fan tray with a back to front airflow model.
	Sapphire (Blink x3) / Ruby (Solid)	The fan tray in position 1, 2, 3, or 4 has degraded and does not match the front to back airflow mode of the power supply. You must replace the fan tray with a front to back airflow model.
	Amethyst (Blink x3) / Ruby (Solid)	The fan tray in position 1, 2, 3, or 4 has degraded and does not match the back to front airflow mode of the power supply. You must replace the fan tray with a back to front airflow model.

Table 17: Shared SFP transceiver Port LED state indicators

Label	Color / Status	Description
In Use	Green / steady	The port has a link established.
	Off	The port does not have a link established.
LNK/ACT	Green / steady	This link is operating normally.
	Green / blinking	There is activity on the port.
	Green / slow blinking	The port has been disabled by the software.
	Off	Indicates that the link has been lost.

IP Address Information Configuration

About this task

The following sections contain information necessary to configure IP address parameters on the switch.

Connecting a Console

This procedure describes the steps to connect a console.

Before you begin

- Terminal with AC power cord and keyboard.
- Serial cable with a DB-9 female connector on both ends. The maximum length for the console port cable is 25 feet (8.3 meters).

Procedure

1. Connect one end of serial cable to the DB-9 connector on the terminal.
2. Connect the other end of the serial cable to the DB-9 connector on the switch.
3. Turn the terminal on.

Accessing the Console Menu

About this task

This procedure describes the steps used to access the console menu.

Procedure

1. Connect a terminal to the console port of the switch.
2. Set the terminal protocol on the terminal or terminal emulation program to VT100 and VT100/ANSI.
3. Connect to the switch using the terminal or terminal emulation application.
4. After the Extreme Networks banner is displayed, press CTRL + Y to display the main menu. The version of the main menu displayed is dependent on whether the switch is part of a standalone or stacked switch configuration.

Assigning IP Parameters Using the Console Menu

About this task

This procedure describes the steps used to assign IP parameters using the console menu.

Procedure

1. From the console menu, select IP Configuration/Setup.
2. Assign an IP address to the switch.
 - For a standalone switch, enter a value in the In-Band Switch IP Address field in dotted-decimal notation.

- For a stack configuration, enter a value in the In-Band Stack IP Address field in dotted-decimal notation.
3. In the In-Band Subnet Mask field enter the appropriate subnet mask in dotted-decimal notation.
 4. In the Default Gateway field, enter the appropriate default gateway in dotted-decimal notation.
 5. Press CTRL + C to return to the main menu.

Assigning IP Parameters Using the Console Menu and CLI

Procedure

1. Connect a terminal to the console port of the switch.
2. Set the terminal protocol on the terminal or terminal emulation program to VT100 and VT100/ANSI.
3. Connect to the switch using the terminal or terminal emulation application.
4. After the Extreme Networks banner is displayed, press CTRL + Y to display the main menu.
5. Select **Command Line Interface . . .** from the main menu.
6. Enter the Global Configuration command mode using the **enable** and **configure terminal** commands.
7. In the Global Configuration command mode, use the **ip address** command to set the switch or stack IP address.
8. Initial IP configuration is now complete. To continue with configuration operations, use the appropriate CLI commands. To disconnect from the switch use the **logout** command to return to the Console Menu and select **Logout** from the main menu.

Job Aid

Any terminal or PC with an appropriate terminal emulator can be used as the management station. The following table lists the parameters that must be used with any terminal emulation software used to connect to the switch.

Table 18: Terminal emulation settings

Property	Value
Baud Rate	9600 bps
Data Bits	8
Stop Bits	1
Parity	None
Flow Control	None

Assigning IP Parameters Using Enterprise Device Manager

About this task

The following procedure describes how to use Quick Start to assign IP parameters to the ERS 5900 Series.

Procedure

1. Connect a computer to the switch through a data port using a standard RJ-45 network cable.
2. Open a Web browser on the attached computer.
3. Enter the factory default IP address of the switch in the following format: `http://<IPAddress>`.

The main screen of the Enterprise Device Manager Interface opens.

4. In the navigation pane, click **Administration > Quick Start**.

The IP/Community/Vlan work area opens.

5. In the In-Band Stack IP Address dialog box, type a switch or stack IP address.
6. In the In-Band Subnet Mask dialog box, type a subnet mask.
7. In the Default Gateway dialog box, type an IP address.
8. Click **Apply**.

* Note:

For more information about switch configuration, see [Quick Start Configuration for Ethernet Routing Switch ERS 4900 and 5900 Series](#).

Verifying Assigned IP Address is Reachable

This procedure describes a method of verifying that the assigned IP address is reachable.

Before you begin

- Ensure you have assigned an IP address to the switch.
- Physically connect the switch to the network.
- Ensure the terminal from which you ping the switch is on the same network as the switch.

Procedure

Ping the ERS 5900 Series switch from a terminal or workstation that is on the same network. If the network device sends a ping reply, a message indicates that the specified IP address is alive and can communicate with other devices.

Chapter 6: Installation Reference

About this task

This section provides reference information for the ERS 5900 Series.

Console and Management Connections

The left front panel of the switch contains the Status LEDs, Console port, Out of Band Management port, and a USB 2.1 port, as well as a micro-USB Type B port (reserved).

The rear panel of the switch contains the Base Unit switch and the Out of Band Management port.

Console Port

The console port is the RJ45 port with a blue border outline. You can use the console port to establish a management terminal connection to the switch. You can use an RJ45 to DB-9 cable, or a DB-9 to RJ45 adapter to connect the switch console port to your management terminal. The maximum length of a console cable is 25 feet (8.3 meters). The following figure and table describe the RJ45 console port pin-out information. You can use the pin-out information to verify or create a console cable for use with your maintenance terminal.

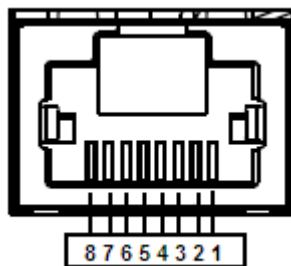


Figure 29: RJ45 console port pin-out

Table 19: Console port pin-out

RJ45 console port pin-out	Signal	Requirement
1	RTS (ready to send)	Optional (can be swapped or linked with pin 8)
2	DTR (data terminal ready)	Optional
3	TXD (transmit data)	Mandatory
4	DCD (carrier detect)	Optional
5	GND (ground)	Mandatory
6	RXD (receive data)	Mandatory
7	DSR (data set ready)	Optional
8	CTS (clear to send)	Optional (can be swapped or linked with pin 1)

Out of Band Management Ports

The Out of Band Management port is the right-most RJ45 port on the rear panel. The port supports 10/100/1000 Ethernet connections. The Out of Band Management port is available for use when the switch is running diagnostic or agent software. You can use the Out of Band Management port to perform an emergency TFTP download of diagnostic or agent software to the switch. When you perform a TFTP download, an IP address is temporarily assigned to the management port which enables the switch to receive files from the TFTP server.

When the switch is running agent software, you can use the Out of Band Management port configured with an out of band management IP and gateway for remote management.

For more information about Out of Band Management configuration, see [Quick Start Configuration for Ethernet Routing Switch ERS 4900 and 5900 Series](#).

USB Port

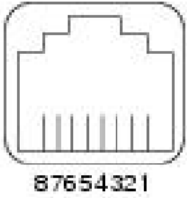
The USB port is a Standard Type-A female USB 2.1 port. The switch provides USB host functionality and can support USB flash drives.

RJ-45 Connector Pin Assignments

The following section outlines the connector pin assignments for the RJ-45 connectors in the ERS 5900 Series.

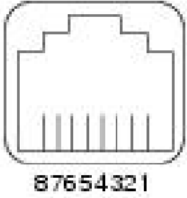
ERS 5900 Series Non-PoE

The following table outlines the RJ-45 connector pin assignments in the ERS 5900 Series non-PoE switches.

Connector	Pin Number	Signal for 10/100Base-T MDI configuration	Signal for 10/100Base-T MDI-X configuration
	1	Output transmit data + (TX+)	Input receive data + (RX+)
	2	Output transmit data - (TX-)	Input receive data - (RX-)
	3	Input receive data + (RX+)	Output transmit data + (TX+)
	6	Input receive data + (RX+)	Output transmit data + (TX+)
	4, 5, 7, 8	Not used	Not used
	Pin Number	Signal for 1GBase-T MDI configuration	Signal for 1GBase-T MDI-X configuration
	1	TP0+	TP1+
	2	TP0-	TP1-
	3	TP1+	TP0+
	4	TP2+	TP3+
	5	TP2-	TP3-
	6	TP1-	TP0-
	7	TP3+	TP2+
	8	TP3-	TP2-

ERS 5900 Series PoE

The following table outlines the RJ-45 connector pin assignments in the ERS 5900 Series PoE switches.

Connector	Pin Number	Signal for 10/100Base-T MDI configuration	Signal for 10/100Base-T MDI-X configuration
 <p>87654321</p>	1	RX+/power+	Receive Data+/power+
	2	RX-/power+	Receive Data-/power+
	3	TX+/power-	Transmit Data+/power-
	4	Not applicable	Not applicable
	5	Not applicable	Not applicable
	6	TX-/power-	Transmit Data-/power-
	7	Not applicable	Not applicable
	8	Not applicable	Not applicable

Chapter 7: Translations of Safety Messages

This module contains translations of the safety messages found in the ERS 5900 Series documentation suite.

Safety Messages

 **Caution:**

When mounting this device in a rack, do not stack units directly on top of one another in the rack. Each unit must be secured to the rack with appropriate mounting brackets. Mounting brackets are not designed to support multiple units.

 **Important:**

Achtung: Wenn diese Einheit in einem Rack montiert wird, muß ein gewisser Abstand zur nächsten Einheit gelassen werden. Jede Einheit muß mit geeignetem Befestigungsmaterial gesichert werden. Das Befestigungsmaterial ist nicht für die gleichzeitige Befestigung mehrerer Einheiten geeignet.

 **Important:**

Si vous installez le module dans une baie, ne l'empilez pas directement sur un autre. Chaque module doit être fixé à sa propre baie à l'aide des supports de montage appropriés. Ces supports ne sont pas conçus pour résister à plusieurs modules.

 **Important:**

Precaución: Cuando monte este dispositivo en un bastidor, no apile las unidades directamente una encima de otra. Cada unidad debe fijarse en el bastidor con las abrazaderas de montaje adecuadas. Las abrazaderas de montaje no están diseñadas para sostener varias unidades.

 **Important:**

Se il dispositivo viene installato in un rack, non impilare le unità direttamente una sull'altra. Ogni unità deve essere fissata al rack con le staffe di montaggio appropriate. Le staffe di montaggio non sono state progettate per supportare più unità.



警告: 在机架中安装此设备时, 请勿将多个部件叠放在机架中。必须用合适的安装托架将各个部件固定在机架中。安装托架无法支撑多个部件。



注意: この装置をラックに設置する場合は、ラック内のユニットを直接積み重ねないようにしてください。各ユニットは専用の取り付けブラケットでラックに固定する必要があります。取り付けブラケットは複数のユニットを支えるようには設計されていません。



注意: 在機箱中掛載此裝置時，請不要直接在機箱中的另一個裝置上直接堆放裝置。每一裝置都必須使用適當的掛載托架以固定在機架中。掛載托架不能用來支撐多個裝置。

 **Caution:**

If you are not installing a module in the slot, be sure to keep the metal cover plate in place over the slot. Removing the cover plate impedes airflow and proper cooling of the unit.

 **Important:**

Achtung: Wenn Sie kein Modul im Schacht verwenden, muß die Metallabdeckung über dem Schacht montiert sein. Eine Entfernung der Abdeckung führt zu einer Verschlechterung der Luftzirkulation und damit zu einer nicht ausreichenden Kühlung der Einheit.

 **Important:**

Si vous n'installez pas le module dans une baie, veillez à laisser la plaque métallique sur la baie. Si vous la retirez, l'aération du module ne peut pas s'effectuer correctement.

 **Important:**

Precaution: Si no instala ningún módulo en la ranura, asegúrese de mantener la placa de la cubierta de metal en la misma. Si la retira, impedirá que el aire circule y la unidad se refrigere adecuadamente.

 **Important:**

Attenzione: Se nello slot non vengono installati moduli, assicurarsi di mantenere la piastra di copertura metallica in sede sopra lo slot. La rimozione della piastra impedisce la ventilazione e il corretto raffreddamento dell'unità.



注意: この装置をラックに設置する場合は、ラック内のユニットを直接積み重ねないようにしてください。各ユニットは専用の取り付けブラケットでラックに固定する必要があります。取り付けブラケットは複数のユニットを支えるようには設計されていません。



注意: スロットにモジュールを取り付けない場合は、スロットにある金属製のカバープレートが外れないように注意してください。カバープレートを動かすと気流が妨げられ、適切なユニット冷却が行われなくなります。



警告: 如果您不打算在该插槽中安装任何模块，请务必使金属盖板正确地盖住该插槽。如果取下盖板，将妨碍通风及部件散热。



注意：如果您未在插槽中安裝模組，請確定金屬殼板正確地蓋在插槽上。移除殼板會阻礙空氣流通以及裝置的適當冷卻度。



警告：若要關閉此裝置的電源，拔掉插頭是唯一的方法。為了因應緊急狀況，請將電源線連接到可以快速插拔的地方。

 **Warning:**

Disconnecting the AC power cord is the only way to turn off AC power to this device. Always connect the AC power cord in a location that can be reached quickly and safely in case of an emergency.

 **Important:**

Warnung: Das Gerät kann nur durch Ziehen des Netzsteckers ausgeschaltet werden. Schließen Sie das Netzkabel an einer Steckdose an, die in Notfällen schnell und sicher zugänglich ist.

 **Important:**

Avertissement: Pour mettre le module hors tension, vous devez impérativement déconnecter le cordon d'alimentation. En outre, vous devez dégager un espace minimal dans la zone de câblage pour pouvoir y accéder facilement en cas d'urgence.



警告：断开交流电源线是切断本设备的交流电源的唯一方法。交流电源线一定要连接到在紧急时刻可以快速安全地接触到的位置。

 **Important:**

Advertencia: Para apagar el dispositivo debe desenchufar el cable. Conecte siempre el cable de alimentación a una toma segura y de fácil acceso por si se produjera alguna situación de emergencia.

 **Important:**

Avviso: L'unico modo per disattivare questo dispositivo consiste nello scollegare il cavo di alimentazione. Collegare sempre il cavo di alimentazione ad una presa che sia facilmente e rapidamente accessibile in caso di emergenza.

 **Danger:**

Use only power cords that have a grounding path. Without a proper ground, a person who touches the switch is in danger of receiving an electrical shock. Lack of a grounding path to the switch may result in excessive emissions.

 **Important:**

Vorsicht: Verwenden Sie nur Netzkabel mit Schutzerdung. Ohne ordnungsgemäße Schutzerdung besteht für Personen, die den Switch berühren, die Gefahr eines elektrischen Schlages. Eine nichtvorhandene Schutzerdung kann zu sehr starken Abstrahlungen führen.

 **Danger:**

N'utilisez que des cordons d'alimentation équipés de trajet de mise à la terre. Sans mise à la terre adaptée, vous risquez de recevoir une décharge électrique en touchant le commutateur. Par ailleurs, l'absence de trajet de mise à la terre peut générer des émissions excessives.

 **Important:**

Peligro: Utilice únicamente cables de alimentación con toma de tierra. De lo contrario, al tocar el interruptor puede recibir una descarga eléctrica. Si no hay un circuito de toma de tierra en el enchufe, puede producirse un exceso de emisiones.

 **Important:**

Pericolo: Utilizzare esclusivamente cavi di alimentazione dotati di un percorso per la messa a terra. Senza un'adeguata messa a terra, chiunque tocchi lo switch corre il rischio di ricevere una scossa elettrica. L'assenza di un percorso per la messa a terra verso lo switch può comportare un eccesso di emissioni.



危険: 接地経路を持つ電源コードを必ず使用するようになしてください。適切な接地がない状態でスイッチに触ると、感電する危険性があります。また、スイッチへの接地経路がないと、過度な放電を引き起こす可能性があります。



危险: 请仅使用接地的电源线。如果电源线不接地或接地不当，接触交换机的人员可能会受到电击。如果交换机不接地，则可能导致放电过量。

Appendix A: Regulatory and Compliance Information

Federal Communications Commission (FCC) Notice

This device complies with Part 15 of the FCC rules. Operation is subject to the following two conditions: (1) this device may not cause harmful interference, and (2) this device must accept any interference received, including interference that may cause undesired operation.

 **Note:**

This equipment has been tested and found to comply with the limits for a class A digital device, pursuant to Part 15 of the FCC rules. These limits are designed to provide reasonable protection against harmful interference when the equipment is operated in a commercial environment. This equipment uses, generates, and can radiate radio frequency energy and if not installed in accordance with the operator's manual, may cause harmful interference to radio communications. Operation of this equipment in a residential area is likely to cause interference in which case the user will be required to correct the interference at his own expense.

WARNING: Changes or modifications made to this device which are not expressly approved by the party responsible for compliance could void the user's authority to operate the equipment.

Industry Canada Notice

This digital apparatus does not exceed the class A limits for radio noise emissions from digital apparatus set out in the Radio Interference Regulations of the Canadian Department of Communications.

Le présent appareil numérique n'émet pas de bruits radioélectriques dépassant les limites applicables aux appareils numériques de la class A prescrites dans le Règlement sur le brouillage radioélectrique édicté par le ministère des Communications du Canada.

Class A ITE Notice

Warning:

This equipment is compliant with Class A of CISPR 32. In a residential environment, this equipment may cause radio interference.

Klasse A ITE Anmerkung

WARNHINWEIS: Dieses Produkt zählt zur Klasse A (Industriebereich). In Wohnbereichen kann es hierdurch zu Funkstörungen kommen, daher sollten angemessene Vorkehrungen zum Schutz getroffen werden.

Product Safety

This product complies with the following: UL 60950-1, FDA 21 CFR 1040.10 and 1040.11, CAN/CSA-C22.2 No. 60950-1, EN 60950-1, EN 60825-1, EN 60825-2, IEC 60950-1, 2006/95/EC.

Produktsicherheit

Dieses Produkt entspricht den folgenden Richtlinien: UL 60950-1, FDA 21 CFR 1040.10 and 1040.11, CAN/CSA-C22.2 No. 60950-1, EN 60950-1, EN 60825-1, EN 60825-2, IEC 60950-1, 2006/95/EC.

Korea EMC Statement

이 기기는 업무용(A급) 전자파적합기기로서 판매자 또는 사용자는 이 점을 주의하시기 바라며, 가정 외의 지역에서 사용하는 것을 목적으로 합니다.

Electromagnetic Compatibility (EMC)

This product complies with the following: FCC 47 CFR Part 15 (Class A), ICES-003 (Class A), EN 55032 (Class A), EN 55024, EN 61000-3-2, EN 61000-3-3, AS/NZS CISPR 32 (Class A), VCCI V-3, 2004/108/EC (EMC Directive)

Elektro-magnetische Kompatibilität (EMC)

Dieses Produkt entspricht den folgenden Richtlinien: FCC 47 CFR Part 15 (Class A), ICES-003 (Class A), EN 55022 (Class A), EN 55024, EN 61000-3-2, EN 61000-3-3, AS/NZS CISPR 32 (Class A), VCCI V-3, 2004/108/EC (EMC Directive)

VCCI Notice

This is a class A product based on the standard of the Voluntary Control Council for Interference by Information Technology Equipment (VCCI). If this equipment is used in a domestic environment, radio disturbance may arise. When such trouble occurs, the user may be required to take corrective actions.

この装置は、情報処理装置等電波障害自主規制協議会（VCCI）の基準に基づくクラスA情報技術装置です。この装置を家庭環境で使用すると電波妨害を引き起こすことがあります。この場合には使用者が適切な対策を講ずるよう要求されることがあります。

BSMI EMC Statement — Taiwan

This is a class A product. In a domestic environment this product may cause radio interference in which case the user may be required to take adequate measures.

警告使用者：

此為甲類資訊技術設備，於居住環境中使用時，可能會造成射頻擾動，

在此種情況下，使用者會被要求採取某些適當的對策。

CCC EMC Statement — China

This is a class A product. In a domestic environment this product may cause radio interference in which case the user may be required to take adequate measures.

警告: 此为 A 级产品, 在生活环境中, 该产品可能会造成无线电干扰。在这种情况下, 可能需要用户对干扰采取切实可行的措施。

Battery Warning — Taiwan

警告

如果更換不正確之電池型式會有爆炸的風險, 請依製造商說明書處理用過之電池。

Battery Notice

Warning:

This product contains a battery used to maintain product information. If the battery should need replacement it must be replaced by Service Personnel. Please contact Technical Support for assistance.

Risk of explosion if battery is replaced by an incorrect type. Dispose of expended battery in accordance with local disposal regulations.

Avertissements: Ce produit renferme une pile servant à conserver les renseignements sur le produit. Le cas échéant, faites remplacer la pile par le personnel du service de réparation. Veuillez communiquer avec l'assistance technique pour du soutien.

Il y a risque d'explosion si la pile est remplacée par un type de pile incorrect. Éliminez les piles usées en conformité aux règlements locaux d'élimination des piles.

Restriction of Hazardous Substances

For the latest information about the presence of substances defined by the RoHS (Restriction of Hazardous Substances) directive in Taiwan (Republic of China) and China, see <http://www.extremenetworks.com/support/documentation/restriction-hazardous-substances/>.

Hazardous Substances

This product complies with the requirements of Directive 2011/65/EU of the European Parliament and of the Council of 8 June 2011 on the restriction of the use of certain hazardous substances in electrical and electronic equipment.

European Waste Electrical and Electronic Equipment (WEEE) Notice



In accordance with Directive 2012/19/EU of the European Parliament on waste electrical and electronic equipment (WEEE):

1. The symbol above indicates that separate collection of electrical and electronic equipment is required.
2. When this product has reached the end of its serviceable life, it cannot be disposed of as unsorted municipal waste. It must be collected and treated separately.
3. It has been determined by the European Parliament that there are potential negative effects on the environment and human health as a result of the presence of hazardous substances in electrical and electronic equipment.
4. It is the users' responsibility to utilize the available collection system to ensure WEEE is properly treated. For information about the available collection system, please contact Extreme Networks Customer Support at +353 61 705500 (Ireland).

Safety

Compliant with IEC 60950-1:2005 (Second Edition); Am1:2009 + Am2:2013, EN 60950-1:2006 + A1:2010 + A11:2009 + A12:2011 + A2:2013, UL 62950-1, 2nd Ed. 2011, CSA C22.2 No. 60950-1-07, 2nd Ed. 2011