



Configuring VLANs, Spanning Tree, and MultiLink Trunking on Ethernet Routing Switch 4900 and 5900 Series

Release 7.6
9035393 Rev.01
May 2019

© 2017-2019, Extreme Networks, Inc.
All Rights Reserved.

Notice

While reasonable efforts have been made to ensure that the information in this document is complete and accurate at the time of printing, Extreme Networks, Inc. assumes no liability for any errors. Extreme Networks, Inc. reserves the right to make changes and corrections to the information in this document without the obligation to notify any person or organization of such changes.

Documentation disclaimer

"Documentation" means information published in varying mediums which may include product information, operating instructions and performance specifications that are generally made available to users of products. Documentation does not include marketing materials. Extreme Networks shall not be responsible for any modifications, additions, or deletions to the original published version of Documentation unless such modifications, additions, or deletions were performed by or on the express behalf of Extreme Networks. End User agrees to indemnify and hold harmless Extreme Networks, Extreme Networks' agents, servants and employees against all claims, lawsuits, demands and judgments arising out of, or in connection with, subsequent modifications, additions or deletions to this documentation, to the extent made by End User.

Link disclaimer

Extreme Networks is not responsible for the contents or reliability of any linked websites referenced within this site or Documentation provided by Extreme Networks. Extreme Networks is not responsible for the accuracy of any information, statement or content provided on these sites and does not necessarily endorse the products, services, or information described or offered within them. Extreme Networks does not guarantee that these links will work all the time and has no control over the availability of the linked pages.

Warranty

Extreme Networks provides a limited warranty on Extreme Networks hardware and software. Refer to your sales agreement to establish the terms of the limited warranty. In addition, Extreme Networks' standard warranty language, as well as information regarding support for this product while under warranty is available to Extreme Networks customers and other parties through the Extreme Networks Support website: <http://www.extremenetworks.com/support> under the link "Policies" or such successor site as designated by Extreme Networks. Please note that if You acquired the product(s) from an authorized Extreme Networks Channel Partner outside of the United States and Canada, the warranty is provided to You by said Extreme Networks Channel Partner and not by Extreme Networks.

"Hosted Service" means an Extreme Networks hosted service subscription that You acquire from either Extreme Networks or an authorized Extreme Networks Channel Partner (as applicable) and which is described further in Hosted SAS or other service description documentation regarding the applicable hosted service. If You purchase a Hosted Service subscription, the foregoing limited warranty may not apply but You may be entitled to support services in connection with the Hosted Service as described further in your service description documents for the applicable Hosted Service. Contact Extreme Networks or Extreme Networks Channel Partner (as applicable) for more information.

Hosted Service

THE FOLLOWING APPLIES ONLY IF YOU PURCHASE AN EXTREME NETWORKS HOSTED SERVICE SUBSCRIPTION FROM EXTREME NETWORKS OR AN EXTREME NETWORKS CHANNEL PARTNER (AS APPLICABLE), THE TERMS OF USE FOR HOSTED SERVICES ARE AVAILABLE ON THE EXTREME NETWORKS WEBSITE, <https://extremeportal.force.com> OR SUCH SUCCESSOR SITE AS DESIGNATED BY EXTREME NETWORKS, AND ARE APPLICABLE TO ANYONE WHO ACCESSES OR USES THE HOSTED SERVICE. BY ACCESSING OR USING THE HOSTED SERVICE, OR AUTHORIZING OTHERS TO DO SO, YOU, ON BEHALF OF YOURSELF AND THE ENTITY FOR WHOM YOU ARE DOING SO (HEREINAFTER REFERRED TO INTERCHANGEABLY AS "YOU" AND "END USER"), AGREE TO THE TERMS OF USE. IF YOU ARE ACCEPTING THE TERMS OF USE ON BEHALF A COMPANY OR OTHER LEGAL ENTITY, YOU

REPRESENT THAT YOU HAVE THE AUTHORITY TO BIND SUCH ENTITY TO THESE TERMS OF USE. IF YOU DO NOT HAVE SUCH AUTHORITY, OR IF YOU DO NOT WISH TO ACCEPT THESE TERMS OF USE, YOU MUST NOT ACCESS OR USE THE HOSTED SERVICE OR AUTHORIZE ANYONE TO ACCESS OR USE THE HOSTED SERVICE.

Licenses

THE SOFTWARE LICENSE TERMS AVAILABLE ON THE EXTREME NETWORKS WEBSITE, <https://extremeportal.force.com> OR SUCH SUCCESSOR SITE AS DESIGNATED BY EXTREME NETWORKS, ARE APPLICABLE TO ANYONE WHO DOWNLOADS, USES AND/OR INSTALLS EXTREME NETWORKS SOFTWARE, PURCHASED FROM EXTREME NETWORKS, INC., ANY EXTREME NETWORKS AFFILIATE, OR AN EXTREME NETWORKS CHANNEL PARTNER (AS APPLICABLE) UNDER A COMMERCIAL AGREEMENT WITH EXTREME NETWORKS OR AN EXTREME NETWORKS CHANNEL PARTNER. UNLESS OTHERWISE AGREED TO BY EXTREME NETWORKS IN WRITING, EXTREME NETWORKS DOES NOT EXTEND THIS LICENSE IF THE SOFTWARE WAS OBTAINED FROM ANYONE OTHER THAN EXTREME NETWORKS, AN EXTREME NETWORKS AFFILIATE OR AN EXTREME NETWORKS CHANNEL PARTNER; EXTREME NETWORKS RESERVES THE RIGHT TO TAKE LEGAL ACTION AGAINST YOU AND ANYONE ELSE USING OR SELLING THE SOFTWARE WITHOUT A LICENSE. BY INSTALLING, DOWNLOADING OR USING THE SOFTWARE, OR AUTHORIZING OTHERS TO DO SO, YOU, ON BEHALF OF YOURSELF AND THE ENTITY FOR WHOM YOU ARE INSTALLING, DOWNLOADING OR USING THE SOFTWARE (HEREINAFTER REFERRED TO INTERCHANGEABLY AS "YOU" AND "END USER"), AGREE TO THESE TERMS AND CONDITIONS AND CREATE A BINDING CONTRACT BETWEEN YOU AND EXTREME NETWORKS, INC. OR THE APPLICABLE EXTREME NETWORKS AFFILIATE ("EXTREME NETWORKS").

Extreme Networks grants You a license within the scope of the license types described below. Where the order documentation does not expressly identify a license type, the applicable license will be a Designated System License as set forth below in the Designated System(s) License (DS) section as applicable. The applicable number of licenses and units of capacity for which the license is granted will be one (1), unless a different number of licenses or units of capacity is specified in the documentation or other materials available to You. "Software" means computer programs in object code, provided by Extreme Networks or an Extreme Networks Channel Partner, whether as stand-alone products, pre-installed on hardware products, and any upgrades, updates, patches, bug fixes, or modified versions thereto. "Designated Processor" means a single stand-alone computing device. "Server" means a set of Designated Processors that hosts (physically or virtually) a software application to be accessed by multiple users. "Instance" means a single copy of the Software executing at a particular time: (i) on one physical machine; or (ii) on one deployed software virtual machine ("VM") or similar deployment.

License type(s)

Designated System(s) License (DS). End User may install and use each copy or an Instance of the Software only: 1) on a number of Designated Processors up to the number indicated in the order; or 2) up to the number of Instances of the Software as indicated in the order, Documentation, or as authorized by Extreme Networks in writing. Extreme Networks may require the Designated Processor(s) to be identified in the order by type, serial number, feature key, Instance, location or other specific designation, or to be provided by End User to Extreme Networks through electronic means established by Extreme Networks specifically for this purpose.

Copyright

Except where expressly stated otherwise, no use should be made of materials on this site, the Documentation, Software, Hosted Service, or hardware provided by Extreme Networks. All content on this site, the documentation, Hosted Service, and the product provided by Extreme Networks including the selection, arrangement and design of the content is owned either by Extreme Networks or its licensors and is protected by copyright and other intellectual property laws including the sui generis rights relating to the protection of databases. You may not modify, copy, reproduce, republish, upload, post, transmit or distribute in any way any content, in whole or in part,

including any code and software unless expressly authorized by Extreme Networks. Unauthorized reproduction, transmission, dissemination, storage, and or use without the express written consent of Extreme Networks can be a criminal, as well as a civil offense under the applicable law.

Virtualization

The following applies if the product is deployed on a virtual machine. Each product has its own ordering code and license types. Note, unless otherwise stated, that each Instance of a product must be separately licensed and ordered. For example, if the end user customer or Extreme Networks Channel Partner would like to install two Instances of the same type of products, then two products of that type must be ordered.

Third Party Components

"Third Party Components" mean certain software programs or portions thereof included in the Software or Hosted Service may contain software (including open source software) distributed under third party agreements ("Third Party Components"), which contain terms regarding the rights to use certain portions of the Software ("Third Party Terms"). As required, information regarding distributed Linux OS source code (for those products that have distributed Linux OS source code) and identifying the copyright holders of the Third Party Components and the Third Party Terms that apply is available in the products, Documentation or on Extreme Networks' website at: <http://www.extremenetworks.com/support/policies/software-licensing> or such successor site as designated by Extreme Networks. The open source software license terms provided as Third Party Terms are consistent with the license rights granted in these Software License Terms, and may contain additional rights benefiting You, such as modification and distribution of the open source software. The Third Party Terms shall take precedence over these Software License Terms, solely with respect to the applicable Third Party Components to the extent that these Software License Terms impose greater restrictions on You than the applicable Third Party Terms.

The following applies only if the H.264 (AVC) codec is distributed with the product. THIS PRODUCT IS LICENSED UNDER THE AVC PATENT PORTFOLIO LICENSE FOR THE PERSONAL USE OF A CONSUMER OR OTHER USES IN WHICH IT DOES NOT RECEIVE REMUNERATION TO (i) ENCODE VIDEO IN COMPLIANCE WITH THE AVC STANDARD ("AVC VIDEO") AND/OR (ii) DECODE AVC VIDEO THAT WAS ENCODED BY A CONSUMER ENGAGED IN A PERSONAL ACTIVITY AND/OR WAS OBTAINED FROM A VIDEO PROVIDER LICENSED TO PROVIDE AVC VIDEO. NO LICENSE IS GRANTED OR SHALL BE IMPLIED FOR ANY OTHER USE. ADDITIONAL INFORMATION MAY BE OBTAINED FROM MPEG LA, L.L.C. SEE [HTTP://WWW.MPEGLA.COM](http://WWW.MPEGLA.COM).

Service Provider

THE FOLLOWING APPLIES TO EXTREME NETWORKS CHANNEL PARTNER'S HOSTING OF EXTREME NETWORKS PRODUCTS OR SERVICES. THE PRODUCT OR HOSTED SERVICE MAY USE THIRD PARTY COMPONENTS SUBJECT TO THIRD PARTY TERMS AND REQUIRE A SERVICE PROVIDER TO BE INDEPENDENTLY LICENSED DIRECTLY FROM THE THIRD PARTY SUPPLIER. AN EXTREME NETWORKS CHANNEL PARTNER'S HOSTING OF EXTREME NETWORKS PRODUCTS MUST BE AUTHORIZED IN WRITING BY EXTREME NETWORKS AND IF THOSE HOSTED PRODUCTS USE OR EMBED CERTAIN THIRD PARTY SOFTWARE, INCLUDING BUT NOT LIMITED TO MICROSOFT SOFTWARE OR CODECS, THE EXTREME NETWORKS CHANNEL PARTNER IS REQUIRED TO INDEPENDENTLY OBTAIN ANY APPLICABLE LICENSE AGREEMENTS, AT THE EXTREME NETWORKS CHANNEL PARTNER'S EXPENSE, DIRECTLY FROM THE APPLICABLE THIRD PARTY SUPPLIER.

WITH RESPECT TO CODECS, IF THE EXTREME NETWORKS CHANNEL PARTNER IS HOSTING ANY PRODUCTS THAT USE OR EMBED THE G.729 CODEC, H.264 CODEC, OR H.265 CODEC, THE EXTREME NETWORKS CHANNEL PARTNER ACKNOWLEDGES AND AGREES THE EXTREME NETWORKS CHANNEL PARTNER IS RESPONSIBLE FOR ANY AND ALL RELATED FEES AND/OR ROYALTIES. THE G.729 CODEC IS LICENSED BY SIPRO LAB TELECOM INC. SEE WWW.SIPRO.COM/CONTACT.HTML. THE H.264 (AVC) CODEC IS LICENSED UNDER THE AVC PATENT PORTFOLIO LICENSE FOR

THE PERSONAL USE OF A CONSUMER OR OTHER USES IN WHICH IT DOES NOT RECEIVE REMUNERATION TO: (I) ENCODE VIDEO IN COMPLIANCE WITH THE AVC STANDARD ("AVC VIDEO") AND/OR (II) DECODE AVC VIDEO THAT WAS ENCODED BY A CONSUMER ENGAGED IN A PERSONAL ACTIVITY AND/OR WAS OBTAINED FROM A VIDEO PROVIDER LICENSED TO PROVIDE AVC VIDEO. NO LICENSE IS GRANTED OR SHALL BE IMPLIED FOR ANY OTHER USE. ADDITIONAL INFORMATION FOR H.264 (AVC) AND H.265 (HEVC) CODECS MAY BE OBTAINED FROM MPEG LA, L.L.C. SEE [HTTP://WWW.MPEGLA.COM](http://WWW.MPEGLA.COM).

Compliance with Laws

You acknowledge and agree that it is Your responsibility for complying with any applicable laws and regulations, including, but not limited to laws and regulations related to call recording, data privacy, intellectual property, trade secret, fraud, and music performance rights, in the country or territory where the Extreme Networks product is used.

Preventing Toll Fraud

"Toll Fraud" is the unauthorized use of your telecommunications system by an unauthorized party (for example, a person who is not a corporate employee, agent, subcontractor, or is not working on your company's behalf). Be aware that there can be a risk of Toll Fraud associated with your system and that, if Toll Fraud occurs, it can result in substantial additional charges for your telecommunications services.

Security Vulnerabilities

Information about Extreme Networks' security support policies can be found in the Global Technical Assistance Center Knowledgebase at <https://gtacknowledge.extremenetworks.com/>.

Downloading Documentation

For the most current versions of Documentation, see the Extreme Networks Support website: <http://documentation.extremenetworks.com>, or such successor site as designated by Extreme Networks.

Contact Extreme Networks Support

See the Extreme Networks Support website: <http://www.extremenetworks.com/support> for product or Hosted Service notices and articles, or to report a problem with your Extreme Networks product or Hosted Service. For a list of support telephone numbers and contact addresses, go to the Extreme Networks Support website: <http://www.extremenetworks.com/support/contact/> (or such successor site as designated by Extreme Networks), scroll to the bottom of the page, and select Contact Extreme Networks Support.

Trademarks

The trademarks, logos and service marks ("Marks") displayed in this site, the Documentation, Hosted Service(s), and product(s) provided by Extreme Networks are the registered or unregistered Marks of Extreme Networks, Inc., its affiliates, its licensors, its suppliers, or other third parties. Users are not permitted to use such Marks without prior written consent from Extreme Networks or such third party which may own the Mark. Nothing contained in this site, the Documentation, Hosted Service(s) and product(s) should be construed as granting, by implication, estoppel, or otherwise, any license or right in and to the Marks without the express written permission of Extreme Networks or the applicable third party.

Extreme Networks is a registered trademark of Extreme Networks, Inc.

All non-Extreme Networks trademarks are the property of their respective owners. Linux[®] is the registered trademark of Linus Torvalds in the U.S. and other countries.

For additional information on Extreme Networks trademarks, please see: <http://www.extremenetworks.com/company/legal/>

Contents

Chapter 1: Preface	12
Purpose.....	12
Training.....	12
Providing Feedback to Us.....	12
Getting Help.....	13
Extreme Networks Documentation.....	13
Subscribing to Service Notifications.....	14
Chapter 2: New in this document	15
Chapter 3: VLAN Fundamentals	16
CLI command modes.....	16
Virtual Local Area Networks.....	18
IEEE 802.1Q Tagging.....	19
VLANs Spanning Multiple Switches.....	24
VLAN Summary.....	26
VLAN Configuration Rules.....	27
VLAN Configuration Control.....	28
Private VLANs.....	29
Private VLAN configuration rules.....	31
Private VLAN interactions with other features.....	31
MLT and Private VLANs.....	32
Disable MAC Learning.....	33
Static FDB MAC Entry.....	34
FDB Entry Scenarios.....	35
MAC Flush.....	36
Voice VLAN integration.....	36
MLT/DMLT/LAG Dynamic VLAN	37
Multinetting.....	37
Snopping on a VLAN configuration.....	38
IGMP snooping.....	38
MLD snooping.....	39
Chapter 4: MLT Fundamentals	42
MultiLink trunks.....	42
Client-server configuration using MultiLink trunks.....	42
Before Trunks are Configured.....	43
MultiLink Trunking Configuration Rules.....	44
MLT load-balancing.....	44
MLT Enable or Disable Whole Trunk.....	45
Trunk members behavior when disabling MLT.....	45
Add and delete links from existing MultiLink trunks.....	46

How a MultiLink trunk reacts to losing distributed trunk members.....	46
Spanning Tree Considerations for MultiLink trunks.....	47
Additional Tips About the MultiLink Trunking Feature.....	50
SLPP.....	50
SLPP Guard.....	51
SLPP Guard on trunk.....	51
Chapter 5: Spanning Tree Protocol.....	52
Spanning tree groups.....	52
Spanning Tree Protocol controls.....	53
Understanding STGs and VLANs.....	54
Spanning Tree Fast Learning.....	54
Per-VLAN spanning tree.....	55
Spanning Tree BPDU Filtering.....	56
BPDU filtering on trunks.....	56
STPG	57
Rapid Spanning Tree Protocol and Multiple Spanning Tree Protocol.....	57
Multiple Spanning Tree Protocol.....	58
Port roles for STP and RSTP.....	64
Rapid convergent.....	67
STG Configuration Guidelines.....	68
Chapter 6: ADAC Fundamentals.....	70
Autodetection and Autoconfiguration of IP phones.....	70
ADAC operation.....	70
Auto-detection of IP phones.....	71
Auto-Detection by MAC address.....	71
Auto-Detection by LLDP (IEEE 802.1ab).....	73
Auto-Configuration of IP phones.....	74
Initial user settings.....	75
Port Restrictions.....	75
Operating modes.....	76
Dynamic VLAN Autoconfiguration.....	79
ADAC and stacking.....	80
ADAC Uplink port as part of trunk.....	80
ADAC Uplink over SPBM.....	81
ADAC and EAP configuration.....	82
ADAC User Restrictions.....	83
ADAC management.....	84
Chapter 7: LACP and VLACP Fundamentals.....	85
IEEE 802.3ad Link Aggregation.....	85
Link aggregation rules.....	86
Static LACP Key to Trunk ID binding.....	87
VLACP.....	88
Virtual LACP (VLACP) overview.....	89

VLACP features.....	91
Chapter 8: VLAN Configuration using CLI.....	92
Displaying VLAN information.....	92
Displaying VLAN interface information.....	94
Displaying verbose VLAN interface information.....	95
Displaying port membership in VLANs.....	95
Displaying the management VLAN.....	96
Displaying Voice VLAN information.....	96
Configuring the management VLAN.....	96
Deleting the management VLAN IP address.....	97
Resetting the management VLAN.....	97
Creating VLANs.....	98
Creating a Private VLAN.....	101
Viewing private VLAN information.....	103
Deleting a VLAN.....	104
Creating an RSPAN VLAN.....	105
Deleting an RSPAN VLAN.....	105
Displaying RSPAN VLAN information:.....	106
Disabling a voice VLAN.....	106
Configuring VLAN name.....	106
Configuring automatic PVID.....	107
Configuring IGMP snooping on a VLAN.....	107
Configuring port VLAN settings.....	108
Configuring VLAN member ports.....	109
Configuring VLAN Configuration Control.....	110
Displaying VLAN Configuration Control settings.....	111
Modifying VLAN Configuration Control.....	111
Managing MAC address forwarding database table.....	112
Displaying the MAC address forwarding table.....	112
Enabling MAC address learning.....	113
Disabling MAC address learning using CLI.....	113
Configuring aging time for unseen MAC addresses.....	114
Setting aging time for unseen MAC addresses to default.....	114
Adding a static address in the MAC address table.....	115
Clearing the MAC address table.....	115
Clearing the MAC address table on a VLAN.....	116
Clearing the MAC address table on an Ethernet interface.....	116
Clearing the MAC address table on a trunk.....	117
Removing a single address from the MAC address table.....	117
Removing a static address for a VLAN in the MAC address table.....	118
Removing static addresses from the MAC address table.....	119
Removing dynamic addresses from the MAC address table.....	119
IP directed broadcasting.....	120

Enabling IP directed broadcast.....	120
Chapter 9: MultiLink Trunk Configuration using CLI.....	121
Configuring a Multi Link Trunk.....	121
Displaying MLT configuration.....	122
Displaying MLT members.....	122
Displaying MLT unicast hash calculation information.....	122
Displaying MLT non-unicast hash calculation information.....	124
Displaying STG MLT properties.....	125
Configuring STP participation for MLTs.....	126
Enabling all ports shutdown in the MLT.....	127
Disabling MLT Enable or Disable Whole Trunk feature.....	127
Displaying the current MLT Enable or Disable Whole Trunk mode of operation.....	128
Selecting an SLPP Guard Ethernet type.....	128
Configuring SLPP Guard.....	129
Viewing the SLPP Guard status.....	130
Chapter 10: SLPP Configuration using CLI.....	131
Configuring SLPP transmitting list.....	131
Configuring SLPP.....	131
Configuring SLPP PDU transmit interval.....	132
Configuring SLPP PDU ether type.....	132
Configuring SLPP port auto enable.....	133
Enabling SLPP PDU receive function per port.....	133
Configuring SLPP on an interface port.....	133
Chapter 11: Spanning Tree Protocol configuration using CLI.....	135
Configuring STP operation mode.....	135
Configuring STP BPDU filtering.....	136
Configuring STP BPDU filtering ignore-self.....	136
Viewing the STP BPDU Filtering ignore-self status.....	137
Creating and Managing STGs using CLI.....	137
Configuring path cost calculation using CLI.....	137
Configuring STG port membership.....	138
Displaying spanning tree configuration information.....	138
Creating a spanning tree group.....	139
Deleting a spanning tree group.....	139
Enabling a spanning tree group.....	140
Disabling a spanning tree group.....	140
Configuring STP values by STG.....	140
Restoring default spanning tree value for a STG.....	141
Setting STP and STG participation.....	142
Setting default spanning tree values for ports.....	143
Disable spanning tree for a port.....	144
STP 802.1D compliancy support configuration using CLI.....	145
Enabling STP 802.1D compliancy support.....	145

Disabling STP 802.1D compliancy support.....	145
Viewing STP 802.1D compliancy support status.....	145
STP 802.1t cost calculation support configuration using CLI.....	146
Enabling STP 802.1t cost calculation support.....	146
Disabling STP 802.1t cost calculation support.....	146
Viewing STP 802.1t cost calculation status.....	147
Managing RSTP using CLI.....	147
Configuring RSTP parameters.....	147
Configuring RSTP parameters per port.....	148
Displaying RSTP bridge-level configuration details.....	149
Displaying RSTP port-level configuration details.....	149
Configuring RSTP SNMP traps using CLI.....	150
Enable RSTP SNMP traps.....	150
Reset RSTP SNMP traps settings to default.....	151
Verifying RSTP SNMP traps settings.....	151
Managing MSTP using CLI.....	151
Configuring MSTP parameters for CIST Bridge.....	152
Configuring MSTP parameters for Common Spanning Tree.....	152
Configuring MSTP region parameters.....	153
Configuring MSTP parameters for bridge instance.....	154
Disabling a MSTP bridge instance.....	155
Deleting a MSTP bridge instance.....	155
Displaying MSTP status by selected bridge.....	155
Displaying MSTP CIST port information.....	156
Displaying MSTP MSTI settings.....	156
Chapter 12: ADAC configuration using CLI.....	158
Configuring ADAC globally.....	158
Disabling ADAC globally.....	159
Restoring default ADAC settings.....	159
Configuring per port ADAC settings.....	160
Disable ADAC settings per port.....	161
Configuring per port ADAC defaults for a specified port.....	162
Configuring the autodetection method.....	162
Disabling autodetection.....	163
Setting autodetection method to default.....	164
Configuring autodetection for a specified port.....	165
Disabling autodetection on specified ports.....	165
Restoring default ADAC setting for ports.....	165
Adding a range of MAC addresses for autodetection.....	166
Deleting a range of MAC addresses used by autodetection.....	166
Resetting supported MAC address ranges.....	166
Displaying global ADAC settings for a device.....	167
Displaying ADAC settings per port.....	167

Displaying configured ADAC MAC ranges.....	168
Displaying detection mechanism configured per port.....	168
Enabling ADAC uplink over SPBM.....	168
ADAC UFA configuration example.....	169
ADAC CLI configuration commands.....	170
Verifying new ADAC settings.....	170
Chapter 13: LACP and VLACP configuration using CLI.....	174
Configuring LACP using CLI.....	174
Displaying LACP settings.....	174
Displaying per port LACP configuration information.....	174
Displaying LACP port statistics.....	175
Configuring LACP port-mode.....	175
Configuring LACP mode of operation.....	176
Clearing LACP port statistics.....	177
Displaying port debug information.....	177
Displaying LACP aggregators or LACP trunks.....	178
Configuring LACP system priority.....	178
Enabling port aggregation mode.....	179
Disabling port aggregation mode.....	179
Configuring administrative LACP key.....	179
Configuring per port LACP priority.....	180
Configuring LACP periodic transmission timeout interval.....	181
Configuring Static LACP Key to Trunk ID binding.....	181
Configuring VLACP using CLI.....	183
Enabling VLACP.....	183
Configuring multicast MAC address for VLACP.....	183
Configuring VLACP parameters per port.....	184
Disabling VLACP.....	186
Resetting multicast MAC address for VLACP to default.....	186
Disabling VLACP on a port.....	186
Displaying VLACP status.....	187
Displaying VLACP configuration details for ports.....	187
Chapter 14: VLAN Configuration using Enterprise Device Manager.....	189
VLAN management using EDM.....	189
Configuring VLAN Snoop.....	207
VLAN IPv4 address management using EDM.....	208
Configuring DHCP for a VLAN using EDM.....	210
Configuring RIP for a VLAN using EDM.....	212
Graphing OSPF statistics for a VLAN using EDM.....	213
VLAN IPv6 interface management using EDM.....	215
VLAN IPv6 address management using EDM.....	218
VLAN configuration for ports using EDM.....	220
Configuring VLAN membership ports.....	221

Selecting VLAN configuration control using EDM.....	223
Private VLAN configuration.....	224
Creating a private VLAN using EDM.....	224
Viewing private VLAN information.....	228
Enabling AutoPVID using EDM.....	228
Port configuration for VLANs using EDM.....	229
Configuring ports for VLAN membership.....	230
Adding static addresses to the MAC address table using EDM.....	232
Removing a static address from the MAC address table using EDM.....	233
MAC address table management using EDM.....	233
Chapter 15: MultiLink Trunk configuration using Enterprise Device Manager.....	237
MLT configuration using EDM.....	237
Viewing MLT utilization using EDM.....	240
Graphing MLT statistics using EDM.....	241
Graphing MLT Ethernet error statistics using EDM.....	242
Configuring an MLT for STP.....	245
Selecting an SLPP Guard Ethernet type using EDM.....	245
Configuring the SLPP by VLAN.....	246
Configuring the SLPP by port.....	246
Configuring SLPP Guard.....	247
Chapter 16: SLPP Configuration using EDM.....	250
Configuring the SLPP by VLAN.....	250
Enabling SLPP.....	250
Configuring SLPP PDU using EDM.....	251
Configuring SLPP PDU ether type.....	251
Configuring SLPP port auto enable.....	252
Configuring the SLPP by port.....	252
Configuring the SLPP PDU receipt threshold.....	253
Chapter 17: Spanning Tree Protocol Configuration using Enterprise Device Manager.....	254
Configuring the STP mode using EDM.....	254
Resetting the switch using EDM.....	255
Configuring STP BPDU filtering for specific ports using EDM.....	255
Configuring STG globally using EDM.....	256
STG configuration using EDM.....	257
Moving a VLAN between STGs using EDM.....	262
Viewing STG Status using EDM.....	262
STG port membership management using EDM.....	263
Configuring STG for port using EDM.....	264
Port STG membership configuration using EDM.....	266
Chapter 18: RSTP configuration using Enterprise Device Manager.....	269
Viewing global RSTP information using EDM.....	269
Viewing RSTP port information using EDM.....	271
Viewing RSTP statistics using EDM.....	273

Graphing RSTP port statistics using EDM.....	274
Chapter 19: MSTP configuration using Enterprise Device Manager.....	276
Viewing global MSTP using EDM.....	276
Viewing CIST port information using EDM.....	279
Graphing CIST port statistics using EDM.....	281
Viewing MSTI bridge information using EDM.....	282
Inserting MSTI Bridges using EDM.....	284
Deleting MSTI Bridges using EDM.....	284
Viewing MSTI port information using EDM.....	284
Graphing MSTI port statistics using EDM.....	286
Chapter 20: ADAC configuration using Enterprise Device Manager.....	287
Configuring ADAC globally using EDM.....	287
ADAC MAC address range configuration using EDM.....	289
ADAC port configuration using EDM.....	289
Viewing the ADAC configuration for ports using EDM.....	290
Configuring ADAC for specific ports using EDM.....	291
Chapter 21: LACP and VLACP configuration using Enterprise Device Manager.....	294
Viewing LAG information using EDM.....	294
Link Aggregation Group configuration using EDM.....	295
Configuring LACP for specific LAG members.....	296
Configuring Static LACP Key to Trunk ID binding.....	299
LACP configuration for ports using EDM.....	300
Configuring LACP for ports.....	302
Graphing port LACP statistics using EDM.....	304
Global VLACP/MLT configuration using EDM.....	305
Enabling or disabling MLT ports on shutdown.....	305
Configuring the LACP port compatibility mode.....	306
VLACP configuration for ports using EDM.....	308
Configuring VLACP for ports.....	309
Configuring VLACP for multiple ports using EDM.....	311
Chapter 22: Spanning Tree modes configuration examples.....	314
RSTP Configuration Example.....	314
MSTP Configuration Example—One Region.....	320
MSTP Configuration Example—Two Regions.....	334
Glossary.....	345

Chapter 1: Preface

Purpose

This document provides procedures and conceptual information to configure security features on the following platforms:

- Extreme Networks Ethernet Routing Switch 4900 Series
- Extreme Networks Ethernet Routing Switch 5900 Series

The security function includes tasks related to product security such as the management and protection of resources from unauthorized or detrimental access and use. This document includes information that supports the configuration and ongoing management of the following:

- communications
- data security
- user security
- access

Examples and network illustrations in this document may illustrate only one of the supported platforms. Unless otherwise noted, the concept illustrated applies to all supported platforms.

Training

Ongoing product training is available. For more information or to register, you can access the Web site at www.extremenetworks.com/education/.

Providing Feedback to Us

We are always striving to improve our documentation and help you work better, so we want to hear from you! We welcome all feedback but especially want to know about:

- Content errors or confusing or conflicting information.
- Ideas for improvements to our documentation so you can find the information you need faster.

- Broken links or usability issues.

If you would like to provide feedback to the Extreme Networks Information Development team about this document, please contact us using our short [online feedback form](#). You can also email us directly at internalinfodev@extremenetworks.com

Getting Help

If you require assistance, contact Extreme Networks using one of the following methods:

- [GTAC \(Global Technical Assistance Center\) for Immediate Support](#)
 - Phone: 1-800-998-2408 (toll-free in U.S. and Canada) or +1 408-579-2826. For the support phone number in your country, visit: www.extremenetworks.com/support/contact
 - Email: support@extremenetworks.com. To expedite your message, enter the product name or model number in the subject line.
- [GTAC Knowledge](#) – Get on-demand and tested resolutions from the GTAC Knowledgebase, or create a help case if you need more guidance.
- [The Hub](#) – A forum for Extreme customers to connect with one another, get questions answered, share ideas and feedback, and get problems solved. This community is monitored by Extreme Networks employees, but is not intended to replace specific guidance from GTAC.
- [Support Portal](#) – Manage cases, downloads, service contracts, product licensing, and training and certifications.

Before contacting Extreme Networks for technical support, have the following information ready:

- Your Extreme Networks service contract number and/or serial numbers for all involved Extreme Networks products
- A description of the failure
- A description of any action(s) already taken to resolve the problem
- A description of your network environment (such as layout, cable type, other relevant environmental information)
- Network load at the time of trouble (if known)
- The device history (for example, if you have returned the device before, or if this is a recurring problem)
- Any related RMA (Return Material Authorization) numbers

Extreme Networks Documentation

To find Extreme Networks product guides, visit our documentation pages at:

Current Product Documentation	www.extremenetworks.com/documentation/
Archived Documentation (for previous versions and legacy products)	www.extremenetworks.com/support/documentation-archives/
Release Notes	www.extremenetworks.com/support/release-notes

Open Source Declarations

Some software files have been licensed under certain open source licenses. More information is available at: www.extremenetworks.com/support/policies/software-licensing.

Subscribing to Service Notifications

Subscribe to receive an email notification for product and software release announcements, Vulnerability Notices, and Service Notifications.

About this task

You can modify your product selections at any time.

Procedure

1. In an Internet browser, go to <http://www.extremenetworks.com/support/service-notification-form/>.
2. Type your first and last name.
3. Type the name of your company.
4. Type your email address.
5. Type your job title.
6. Select the industry in which your company operates.
7. Confirm your geographic information is correct.
8. Select the products for which you would like to receive notifications.
9. Click **Submit**.

Chapter 2: New in this document

There are no feature changes in this release.

Chapter 3: VLAN Fundamentals

This chapter provides conceptual information relating to VLANs, Spanning Tree, MultiLink Trunks, and associated features and capabilities.

CLI command modes

Command Line Interface (CLI) provides the following command modes:

- User EXEC
- Privileged EXEC
- Global Configuration
- Interface Configuration
- Router Configuration
- Application Configuration
- DHCP Guard Configuration
- RA Guard Configuration

Mode access is determined by access permission levels and password protection.

If no password is set, you can enter CLI in User EXEC mode and use the `enable` command to move to the next level (Privileged EXEC mode). However, if you have read-only access, you cannot progress beyond User EXEC mode, the default mode. If you have read-write access you can progress from the default mode through all of the available modes.

With sufficient permission, you can use the rules in the following table to move between the command modes.

Table 1: CLI command modes

Command mode and sample prompt	Entrance commands	Exit commands
User EXEC Switch>	No entrance command, default mode	exit or

Table continues...

Command mode and sample prompt	Entrance commands	Exit commands
		logout
Privileged EXEC Switch#	enable	exit or logout
Global Configuration Switch(config)#	configure terminal	To return to Privileged EXEC mode, enter end or exit To exit CLI completely, enter logout
Interface Configuration Switch(config-if)# You can configure the following interfaces: <ul style="list-style-type: none"> • Ethernet • Loopback • Management • VLAN 	From Global Configuration mode: To configure a port, enter interface ethernet <port number>. To configure a loopback, enter interface loopback <loopback number>. To configure a management, enter interface mgmt <mgmt number> To configure a VLAN, enter interface vlan <vlan number>.	To return to Global Configuration mode, enter Exit To return to Privileged EXEC mode, enter end To exit CLI completely, enter logout
Router Configuration Switch(configrouter)# You can configure the following routers: <ul style="list-style-type: none"> • RIP • OSPF • VRRP • ISIS 	From Global or Interface Configuration mode: To configure RIP, enter router rip. To configure OSPF, enter router ospf. To configure VRRP, enter router vrrp. To configure IS-IS, enter router isis.	To return to Global Configuration mode, enter exit. To return to Privileged EXEC mode, enter end. To exit CLI completely, enter logout.
Application Configuration Switch(config-app)	From Global, Interface or Router Configuration mode, enter application.	To return to Global Configuration mode, enter exit.

Table continues...

Command mode and sample prompt	Entrance commands	Exit commands
		To return to Privileged EXEC mode, enter end. To exit CLI completely, enter logout.
DHCP Guard Configuration Switch(config-dhcpguard)	From Global, Interface, Router, Application Configuration mode, enter <code>ipv6 dhcp guard policy <policy_name></code> .	To return to Global Configuration mode, enter exit. To return to Privileged EXEC mode, enter end. To exit CLI completely, enter logout.
RA Guard Configuration Switch(config-raguard) #	From Global, Interface, Router, Application Configuration mode, enter <code>ipv6 nd raguard policy <policy_name></code> .	To return to Global Configuration mode, enter exit. To return to Privileged EXEC mode, enter end. To exit CLI completely, enter logout.

Virtual Local Area Networks

The switch supports up to 1,024 concurrent VLANs.

You can group ports into broadcast domains by assigning them to the same VLAN. Frames received in one VLAN can be forwarded only within that VLAN, and multicast frames and unknown unicast frames are flooded only to ports in the same VLAN.

Setting up virtual LANs (VLAN) is a way to segment networks to increase network capacity and performance without changing the physical network topology (refer the following figure). With network segmentation, each switch port connects to a segment that is a single broadcast domain. When you configure a switch port to be a member of a VLAN, you add it to a group of ports (workgroup) that belong to one broadcast domain.

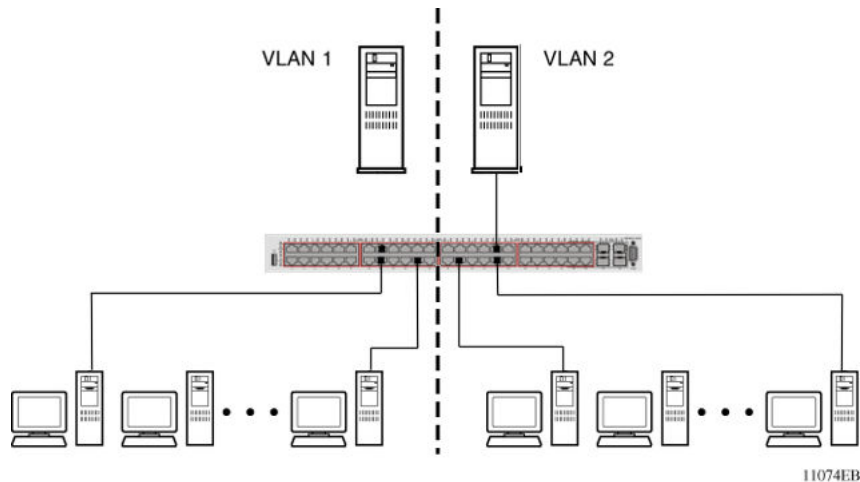


Figure 1: Port-based VLAN

You can assign ports to VLANs using the Command Line Interface (CLI) or the Enterprise Device Manager (EDM). You can assign different ports (and associated devices) to different broadcast domains to provide network flexibility. You can reassign VLANs to accommodate network moves, additions, and changes, to eliminate the requirement to change physical cabling.

IEEE 802.1Q Tagging

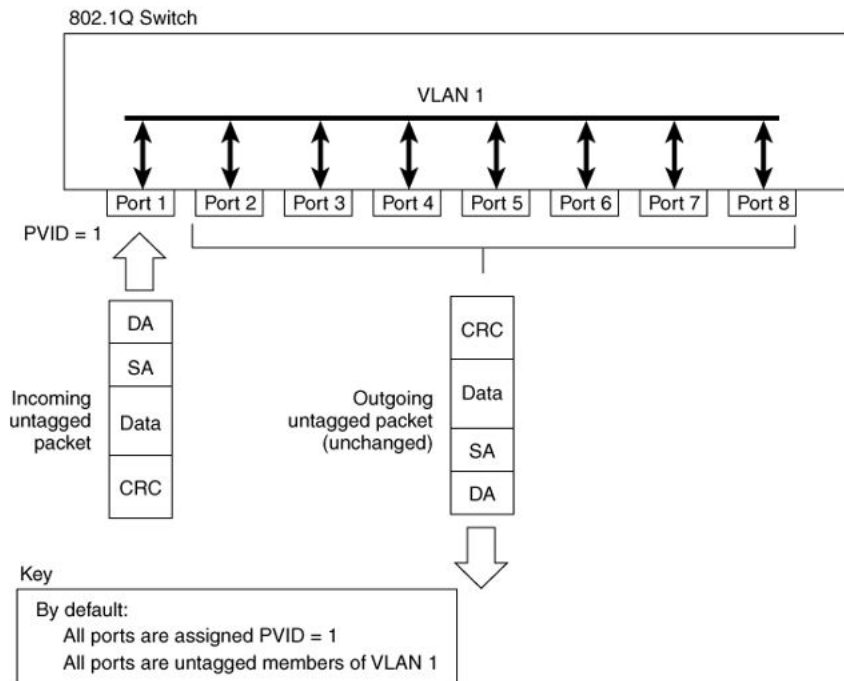
The switch operates in accordance with the IEEE 802.1Q tagging rules. Important terms used with the 32-bit 802.1Q tagging feature are:

- **VLAN identifier (VID):** the 12-bit portion of the VLAN tag in the frame header that identifies an explicit VLAN. When other types of VLANs are enabled, the values enabled in the management interfaces can override this default value.
- **Port VLAN identifier (PVID):** a classification mechanism that associates a port with a specific VLAN. For example, a port with a PVID of 3 (PVID =3) assigns all untagged frames received on this port to VLAN 3.
- **Tagged frame:** a frame that contains the 32-bit 802.1q field (VLAN tag) and identifies the frame as belonging to a specific VLAN.
- **Untagged frame:** a frame that carries no VLAN tagging information in the frame header.
- **VLAN port members:** a group of ports that are all members of a particular VLAN. A port can be a member of one or more VLANs.
- **Untagged member:** a port configured as an untagged member of a specific VLAN. When an untagged frame exits the switch through an untagged member port, the frame header remains unchanged. When a tagged frame exits the switch through an untagged member port, the tag is stripped and the tagged frame is changed to an untagged frame.
- **Tagged member:** a port configured as a tagged member of a specific VLAN. When an untagged frame exits the switch through a tagged member port, the frame header changes to include the 32-bit tag associated with the ingress port PVID. When a tagged frame exits the

switch through a tagged member port, the frame header remains unchanged (original VID remains).

- User priority: a three-bit field in the header of a tagged frame. The field is interpreted as a binary number, therefore has a value of 0 to 7. The tagged frame uses this field to carry the user-priority across bridged LANs where the individual LAN segments may be unable to signal priority information.
- Port priority: the priority level assigned to untagged frames received on a port. This value becomes the user priority for the frame. Tagged packets obtain their user priority from the value in the 32-bit 802.1Q frame header.
- Unregistered packet: a tagged frame that contains a VID if the receiving port is not a member of that VLAN.
- Filtering database identifier (FID): the specific filtering and forwarding database within the switch series that is assigned to each VLAN. Each VLAN has a filtering database, which is called independent VLAN learning (IVL). IVLs can have duplicate MAC addresses in different VLANs.

By default, all ports are set as untagged members of VLAN 1 with all ports configured as PVID = 1. Every VLAN is assigned a unique VLAN identifier (VID) that distinguishes it from all other VLANs. In the default configuration example shown in the following figure, all incoming packets are assigned to VLAN 1 by the default port VLAN identifier (PVID = 1). Untagged packets enter and leave the switch unchanged.



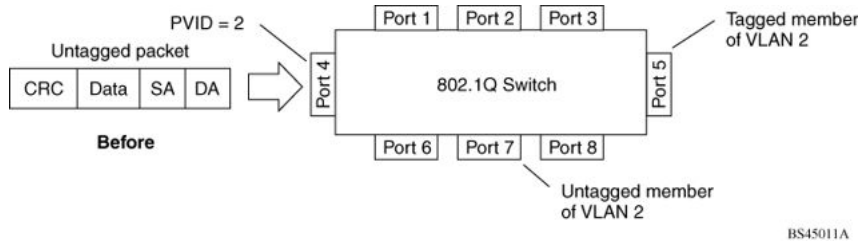
BS45010A

Figure 2: Default VLAN Settings

You can configure switch ports to transmit frames tagged on some VLANs and untagged on other VLANs.

When you configure VLANs, you can configure the egress tagging of each switch port as *Untag All*, *Untag PVID Only*, *Tag All* or *Tag PVID Only*.

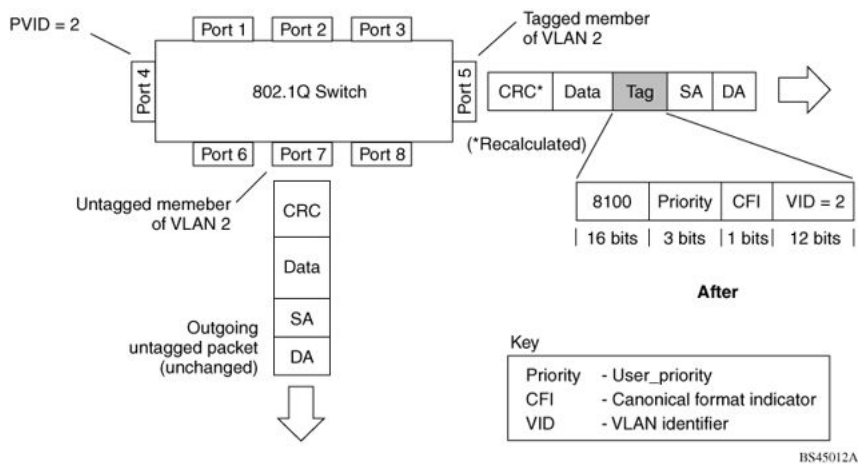
In the following figure, untagged incoming packets are assigned directly to VLAN 2 (PVID = 2). Port 5 is as a *tagged* member of VLAN 2, and port 7 is an *untagged* member of VLAN 2.



BS45011A

Figure 3: Port-based VLAN assignment

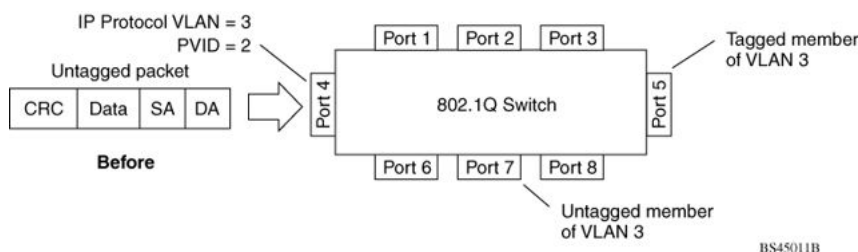
[Figure 4: 802.1Q tagging \(after port-based VLAN assignment\)](#) on page 21 shows the untagged packet is marked (tagged) as it leaves the switch through port 5, which is a tagged member of VLAN 2. The untagged packet remains unchanged as it leaves the switch through port 7, which is an untagged member of VLAN 2.



BS45012A

Figure 4: 802.1Q tagging (after port-based VLAN assignment)

In the following figure, untagged incoming packets are assigned to VLAN 3 (policy VLAN = 3, PVID = 2). Port 5 is a tagged member of VLAN 3, and port 7 is an untagged member of VLAN 3.



BS45011B

Figure 5: Policy-based VLAN assignment

[Figure 6: 802.1Q tagging \(after policy-based VLAN assignment\)](#) on page 22, the untagged packet is marked (tagged) as it leaves the switch through port 5, which is a tagged member of VLAN 3. The

untagged packet remains unchanged as it leaves the switch through port 7, which is an untagged member of VLAN 3.

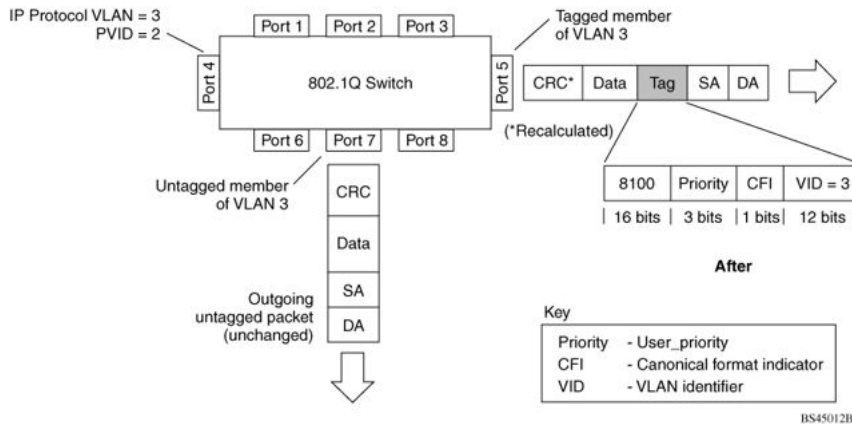


Figure 6: 802.1Q tagging (after policy-based VLAN assignment)

In the following figure, tagged incoming packets are assigned directly to VLAN 2 because of the tag assignment in the packet. Port 5 is a tagged member of VLAN 2, and port 7 is an untagged member of VLAN 2.

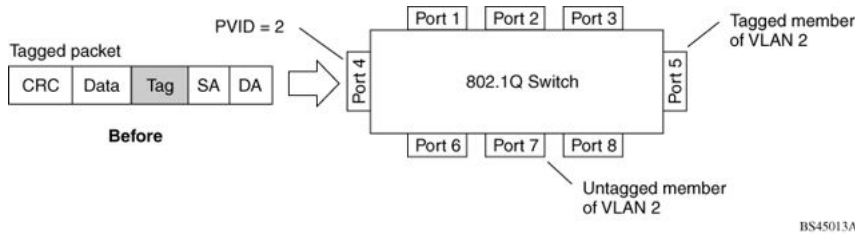


Figure 7: 802.1Q tag assignment

[Figure 8: 802.1Q tagging \(after 32-bit 802.1Q tag assignment\)](#) on page 23 show the tagged packet remains unchanged as it leaves the switch through port 5, which as a tagged member of VLAN 2. However, the tagged packet is stripped (untagged) as it leaves the switch through port 7, which is an untagged member of VLAN 2.

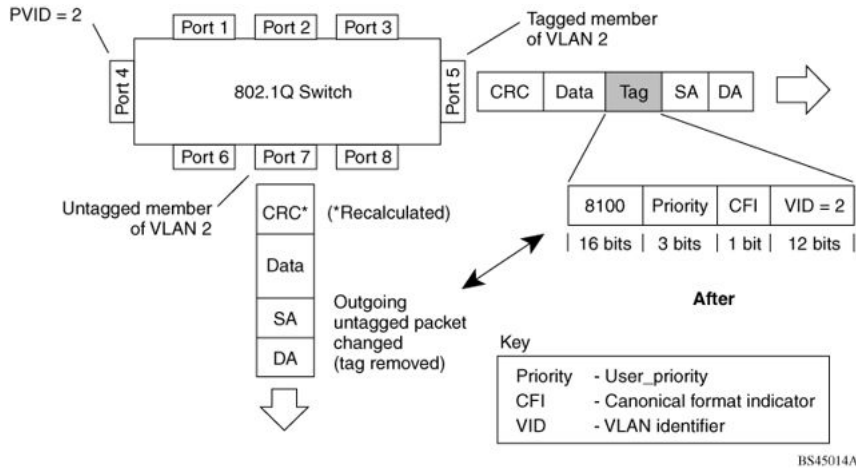


Figure 8: 802.1Q tagging (after 32-bit 802.1Q tag assignment)

In the following figure, untagged incoming packets are assigned directly to a PVID of 2. Port 5 is a tagged member of PVID 2, and port 7 is an untagged member of PVID 2.

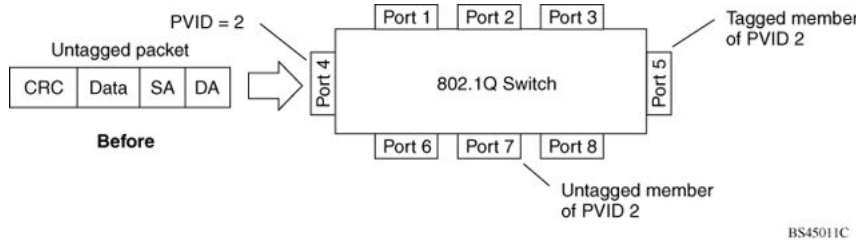


Figure 9: 802.1Q tag assignment

As shown in the following figure, the untagged packet is marked (tagged) as it leaves the switch through port 5, which is a tagged member of PVID 2. The untagged packet remains unchanged as it leaves the switch through port 7, which is an untagged member of PVID 2.

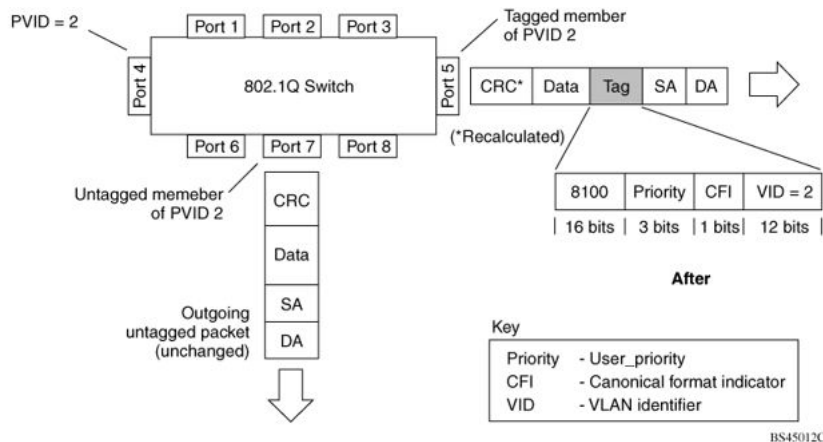


Figure 10: 802.1Q tagging (after 30-bit 802.1Q tag assignment)

VLANs Spanning Multiple Switches

You can use VLANs to segment a network within a switch. For multiple connected switches, you can connect users of one VLAN with users of that same VLAN in another switch. However, the configuration guidelines depend on whether both switches support 32-bit 802.1Q tagging.

With 32-bit 802.1Q tagging enabled on a port for a VLAN, all frames leaving the port for that VLAN are marked as belonging to that specific VLAN. You can assign switch ports as members of one or more VLANs that span multiple switches without interfering with the Spanning Tree Protocol.

VLANs spanning multiple 802.1Q tagged switches

The following figure shows VLANs spanning two switches (S1 and S2). The 32-bit 802.1Q tagging is enabled on S1, port 14 and on S2, port 13 for VLAN 1 and VLAN 2. Both ports are tagged members of VLAN 1 and VLAN 2.

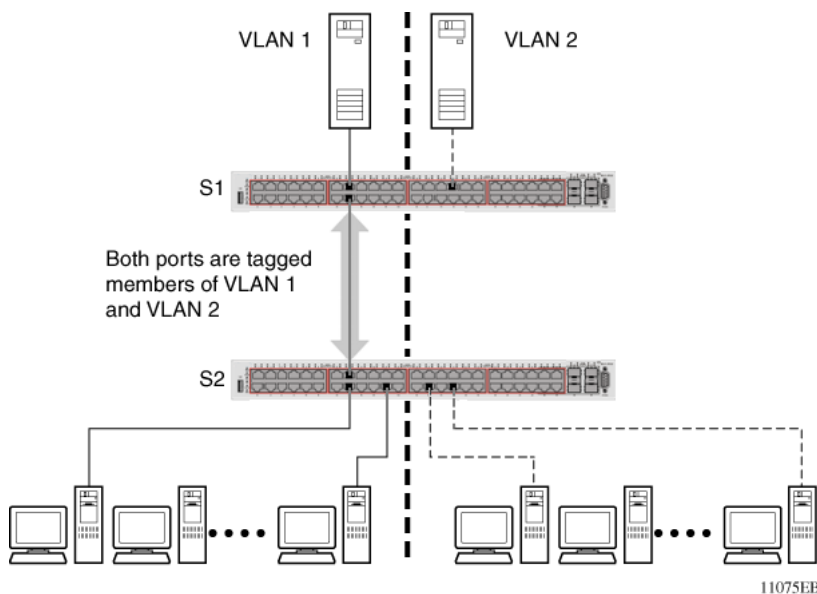


Figure 11: VLANs spanning multiple 802.1Q tagged switches

Because only one link exists between the two switches, the Spanning Tree Protocol (STP) treats this configuration as it treats any other switch-to-switch connection. For this configuration to work properly, both switches must support the 32-bit 802.1Q tagging protocol.

VLANs spanning multiple untagged switches

The following figure shows VLANs spanning multiple untagged switches. In this configuration, Switch S2 does not support 32-bit 802.1Q tagging and you must use a single switch port on each switch for each VLAN.

For this configuration to work properly, you must set spanning tree participation to Disabled (the STP is not supported across multiple LANs).

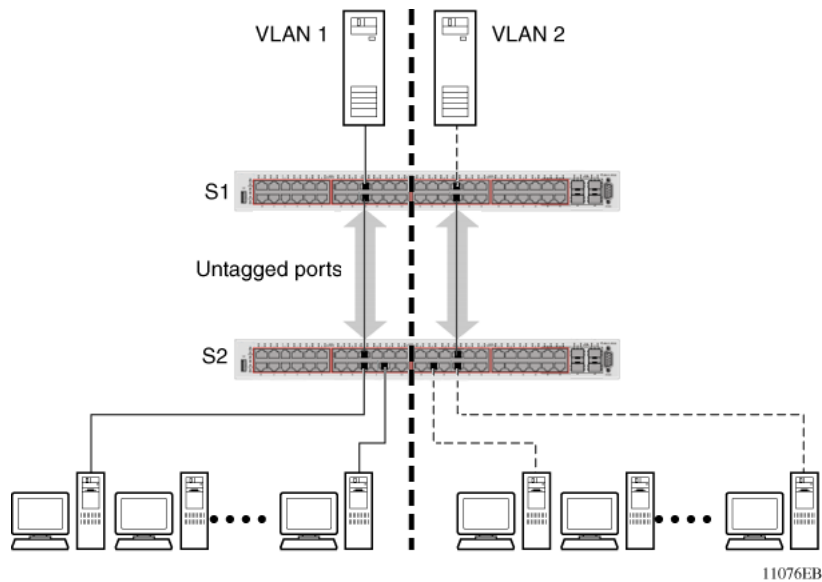


Figure 12: VLANs spanning multiple untagged switches

When you enable the STP on these switches, only one link between the pair of switches forwards traffic. Because each port belongs to only one VLAN at a time, connectivity on the other VLAN is lost. Exercise care when you configure the switches to ensure that the VLAN configuration does not conflict with spanning tree configuration.

To connect multiple VLANs across switches with redundant links, you must disable the STP on all participating switch ports. [Figure 13: Possible problems with VLANs and Spanning Tree Protocol](#) on page 25 shows possible consequences of enabling the STP when you use VLANs between untagged (non-802.1Q tagged) switches.

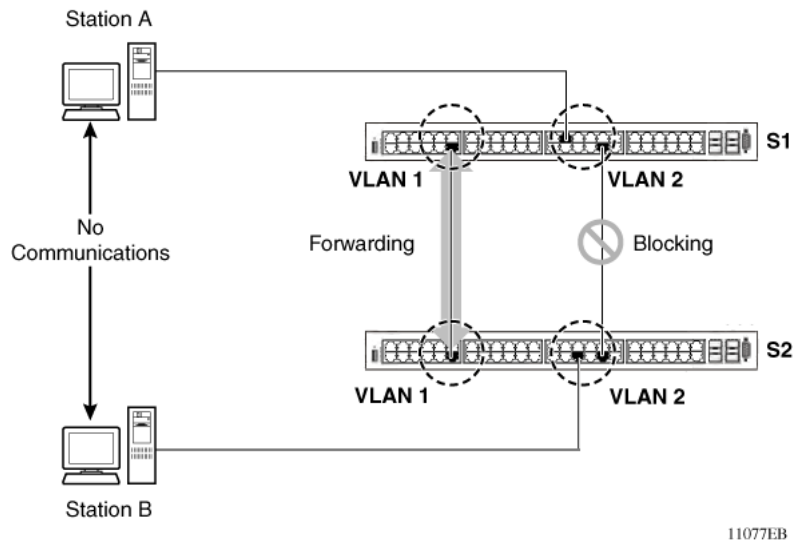


Figure 13: Possible problems with VLANs and Spanning Tree Protocol

As shown in the preceding figure, with STP enabled, only one connection between Switch S1 and Switch S2 forwards traffic at any time. Communication fails between VLAN 2 of S1 and VLAN 2 of S2, blocking communications between Stations A and B.

The STP selects the link that connects VLAN 1 on Switches S1 and S2 as the forwarding link based on port speed, duplex-mode, and port priority. Because the other link that connects VLAN 2 is in Blocking mode, stations on VLAN 2 in Switch S1 cannot communicate with stations in VLAN 2 on Switch S2. With multiple links only one link forwards traffic.

VLAN Summary

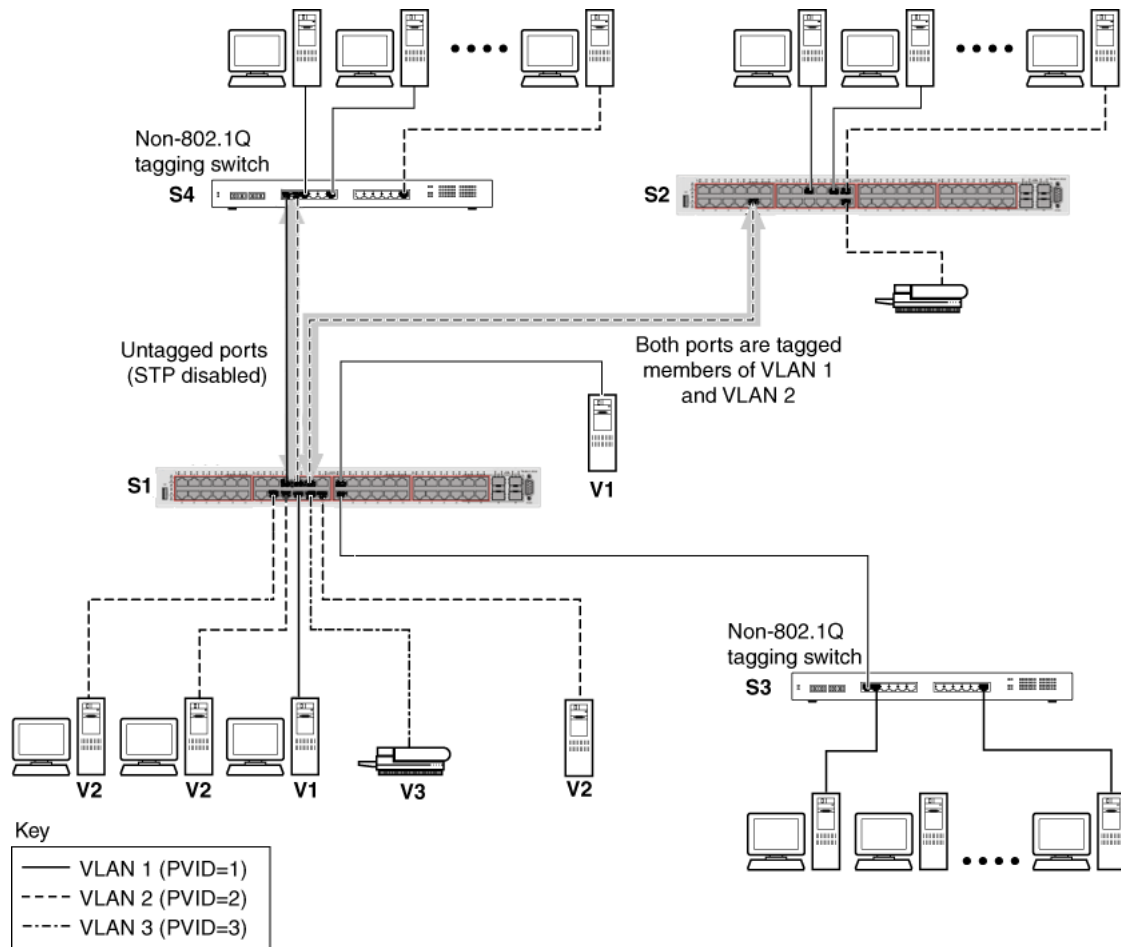
This section summarizes the VLAN examples discussed in the previous sections.

[Figure 14: VLAN configuration spanning multiple switches](#) on page 27 shows Switch S1 is configured with multiple VLANs:

- Ports 17, 20, 25, and 26 are in VLAN 1.
- Ports 16, 18, 19, 21, and 24 are in VLAN 2.
- Port 22 is in VLAN 3.

Because S4 does not support 32-bit 802.1Q tagging, you must use a single switch port on each switch for each VLAN (see [Figure 12: VLANs spanning multiple untagged switches](#) on page 25).

The connection to S2 requires only one link between the switches because S1 and S2 are switches that support 32-bit 802.1Q tagging (see [VLANs spanning multiple 802.1Q tagged switches](#) on page 24).



11079EB

Figure 14: VLAN configuration spanning multiple switches

VLAN Configuration Rules

VLANS operate according to specific configuration rules. When you create VLANs, consider the following rules that determine how the configured VLAN reacts in any network topology:

- If a port is a trunk group member, all trunk members are added to or deleted from the VLAN.
- All ports involved in trunking must have the same VLAN configuration.
- VLANs do not depend on Rate Limiting settings.
- If a port is an Internet Gateway Management Protocol (IGMP) or Multicast Listener Discovery (MLD) member on any VLAN, and you remove the port from a VLAN, the port IGMP or MLD membership is also removed.
- If you add a static router port to a different VLAN, you can configure the port as an IGMP or MLD member on that specific VLAN.

! Important:

If you tag protocol VLAN client ports, the system cannot assign frames to the protocol VLAN, regardless of the defined ethertype. Frames are not assigned to the protocol VLAN because untagged packets will be assigned to the VLAN identified by the port PVID.

VLAN Configuration Control

A switch administrator uses VLAN Configuration Control (VCC) to control modifications to VLANs. VCC is a superset of the existing AutoPVID functionality and incorporates this functionality for backwards compatibility. VCC is globally applied to all VLANs on the switch.

VLAN Configuration Control offers four options to control VLAN modification:

- **Strict:** Restrict the addition of an untagged port to a VLAN if it is already a member of another VLAN. To add an untagged port to a new VLAN, the switch administrator must remove the port from all other VLANs of which it is a member before adding it to the new VLAN. The PVID of the port is changed to the new VID to which it was added.

! Important:

Strict is the factory default setting.

- **Automatic:** Automatically add an untagged port to a new VLAN and automatically remove it from any previous VLAN membership. The PVID of the port automatically changes to the VID of the VLAN it joins. Because you first add the port to the new VLAN and then remove it from any previous membership, the Spanning Tree Group participation of the port remains enabled as long as the VLANs involved are in the same Spanning Tree Group.

This option should not be used in configuration with different Multiple Spanning Tree Instance (MSTI) as it can damage the Multiple Spanning Tree Protocol (MSTP) configuration if the RADIUS Assigned VLAN is already mapped to another MSTI. This happens because EAP does not support VLANs in multiple STP groups (be it MSTP or STPG mode) when the RAV is automatically created in the same MSTI as the initial VLAN and not in the MSTI where it is mapped. Use the automatic option in scenarios where it is required and not as an usual option. For example, in combination with Fabric Attach (FA).

- **AutoPVID:** This option functions in the same manner as previous AutoPVID functionality. When you add an untagged port to a new VLAN, you add the port to the new VLAN and the PVID assigned to the new VID without removing it from previous VLAN memberships. Using this option, an untagged port can have membership in multiple VLANs.
- **Flexible:** This option functions in a similar manner to disabling AutoPVID functionality. When you use this option, an untagged port can belong to an unlimited number of VLANs. Any new additions of an untagged port to a new VLAN does not change the PVID of that port.

VLAN Configuration Control applies only to ports with the tagging modes of **Untag All** and **Tag PVID Only**. VCC does not govern ports with the tagging modes of **Tag All** and **Untag PVID Only**. Ports with the tagging modes of **Tag All** and **Untag PVID Only** can belong to multiple VLANs regardless of VLAN Configuration Control settings and you must manually change their PVID.

VLAN Configuration Control does not apply to protocol-based VLANs. A port regardless of its tagging mode can belong to one or more protocol-based VLANs, but in the same time it cannot belong to two or more protocol-based VLANs containing the same PID. The user is responsible to remove a port from any previous protocol-based VLAN membership. A protocol-based VLAN cannot be set as PVID for a port.

Private VLANs

Private VLANs provide isolation between ports within a Layer-2 service.

The primary and secondary VLAN make the Private VLAN. Standard VLAN configuration takes place on the primary VLAN. The secondary VLAN is virtual and inherits configuration from the primary VLAN.

Ports in the Private VLAN are configured as isolated, promiscuous, or trunk. There is no default value.

Port types

Table 2: Port types for Private VLANs

Port type	Description
Promiscuous (tagged or untagged ports)	Promiscuous ports communicate with all other ports within the private VLAN. Uses the primary VLAN.
Isolated (tagged or untagged ports)	Isolated ports communicate with the promiscuous ports, but not with any other isolated port. Uses the secondary VLAN.
Trunk (tagged ports)	Trunk ports carry traffic between other port members within the private VLANs. Accepts either primary or secondary VLAN.

Trunk ports are automatically set as tagged. A port may be a single port or may belong to an MLT.

The following figure shows a basic private VLAN topology with private VLAN configured on five switches. All ports connecting to other switches are trunk type ports and all other ports are either promiscuous or isolated ports. On the secondary VLAN, spokes can communicate with hubs, hubs can communicate with all spokes in the same private VLAN using the primary VLAN, but spokes cannot communicate with other spokes.

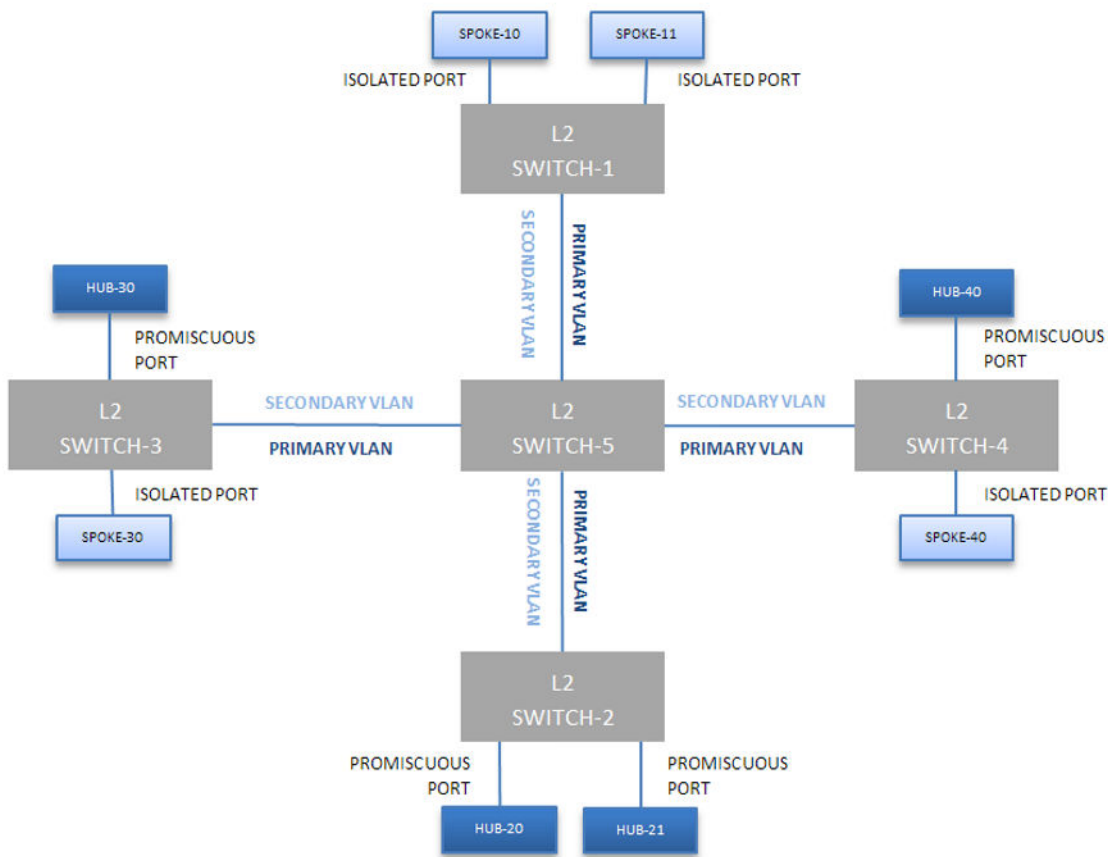


Figure 15: Private VLAN topology

E-Tree

The E-Tree allows Private VLANs to traverse the Shortest Path Bridging MAC (SPBM) network.

For more information about E-Tree and SPBM configuration, see *Configuring Fabric Connect on Ethernet Routing Switch 4900 and 5900 Series*.

Limitations

The following limitations apply to E-Tree and Private VLAN topology:

- A port that is of Private VLAN type trunk must be tagged. Isolated and Promiscuous Private VLAN ports can be either tagged or untagged.
- Untagged promiscuous ports cannot belong to more than one private VLAN. Isolated ports tagged or untagged cannot belong to more than one private VLAN.
- When a port or MLT that has a Private VLAN type set to Isolated or Promiscuous is added to a private VLAN, if that port is used by other non private VLANs, then those non private VLANs are removed.
- A port which is Private VLAN type Isolated and is tagged can belong to only one Private VLAN.
- The maximum number of Private VLANs is currently limited to 200.

- The secondary VLAN is virtual and inherits configuration from the primary VLAN. This means that the secondary VLAN becomes a reserved VLAN ID and it is not counted to the number of existing VLANs on the switch.
- Community as a valid private VLAN port type is not supported. The private VLAN must use the same primary and secondary VLAN IDs across the network. Remapping is not supported for primary and secondary VLANs.
- Non-private VLAN ports cannot have a private VLAN set as PVID, but private-VLAN ports can have a non-private VLAN set as PVID.
- Due to hardware restrictions, four extra bytes are added internally to each frame and removed before leaving the switch. These four bytes are counted against the MTU, so frames that are 4 bytes or less smaller than MTU are dropped. Due to these four extra bytes the port may become oversubscribed with less than 100% load.
- The primary and secondary I-SID must be the same. The I-SID value used across SPBM cloud must be the same for the same private VLAN pair. The primary and secondary VLAN values must be the same across boxes, meaning that there is no remapping.

Private VLAN configuration rules

The following configuration rules apply on the switch for Private VLAN:

- Use Private VLANs for Layer 2 services only.
- Forwarding is based on MAC address based lookups and primary VLAN ID. All MAC addresses are learned in the Private VLAN using the primary VLAN ID. The switch uses Independent VLAN Learning (IVL) to learn MAC addresses in the context of the VLAN they belong to.
- IP routing and creation of IP interfaces are not supported on Private VLANs.

Private VLAN interactions with other features

Private VLAN interacts with the following features:

QoS

Private VLAN and E-Tree require an empty QoS precedence (same precedence) on all ports from the unit where the filter is installed. If a local port uses a filter for Private VLAN, all ports have the same precedence reserved for Private VLAN.

EAP

EAPOL can be enabled only on isolated ports. In MHSA and SHSA modes, Private VLAN operates without restrictions and functions only if RADIUS assigned VLAN is not used.

RSPAN

- TX mirrored traffic from a Private VLAN port is triple tagged if it egress on the destination port. The outermost tag is RSPAN.

Monitor source and destination ports must be configured as trunk ports.

- XrxYtx and XrxYtxOrYrxXtx modes mirror traffic at ingress, therefore the mirrored packets do not reflect the changes operated by the switch.
- Private VLAN cannot be configured as:
 - RSPAN VLAN
 - isolated or promiscuous ports as monitor ports or destination ports

STP

There are no restrictions for STP functionality on Private VLAN ports.

IGMP and MLD Snooping

The switch does not support IGMP and MLD Snooping on Private VLANs.

Port mirroring

The switch does not support port mirroring on Private VLAN ports.

Double tagged frames

A Private VLAN cannot forward double tagged traffic.

IP Routing and L3 interfaces

The switch does not support IP Routing and Layer 3 interfaces on Private VLANs. You cannot set a Private VLAN as a management VLAN. You cannot set an IP address or enable IP routing on a Private VLAN.

DHCP Snooping, Dynamic ARP Inspection, and IP Source Guard

Private VLAN and E-Tree do not support DHCP Snooping, Dynamic ARP Inspection or IP Source Guard.

IPFIX

IPFIX displays untagged traffic sent through isolated ports in the primary VLAN. Tagged streams ingressing on isolated ports are displayed in the secondary VLAN.

MLT and Private VLANs

MLT and Private VLANs operate as follows:

- When using a static MLT, configure one port of the MLT as member of the Private VLAN. This ensures all ports in MLT have the same configuration in regard to the Private VLAN.
- When using LACP, configure one port of the LAG as member of the Private VLAN. This ensures all other ports with the same LACP key have the same configuration in regard to the Private VLAN.
- When the Private VLAN port type is trunk, the MLT automatically becomes tagged.
- If there are other non Private VLANs using the MLT configured as isolated, the following message is displayed: `Remove all non private VLANs from this interface (y/n) ?`

- If there are other non Private VLANs using the MLT configured as promiscuous, the following message is displayed: `Remove all non private VLANs from this interface (y/n) ?`

Disable MAC Learning

When you use Disable MAC Learning you can disable MAC address learning on specified ports.

Disable MAC Learning is useful in situations where you want to control the Layer 2 Forwarding Database (FDB) entries. For example: when you deploy the switch in metro environments, nodes on the network may flood traffic, and the MAC tables can fill rapidly. Disable MAC Learning gives you control over MAC learning to prevent the MAC tables from filling unnecessarily in a situation like this.

You cannot control the learning behavior for ports per VLAN due to hardware limitations.

You use Disable MAC Learning in combination with the Static MAC FDB Entry feature when you want to add a certain MAC address in the MAC address table, by adding it statically using Static MAC FDB Entry. Disable MAC Learning interacts with Layer 2 applications including NEAP clients authenticated by RADIUS, and ADAC.

Following are examples of feature function if you do not use Static MAC FDB entry with Disable MAC Learning.

For ADAC, when you disable MAC learning, the telephone MAC is not learned and the system does not perform auto configuration.

Disable MAC Learning cannot be applied on MAC Security enabled ports.

When you use Disable MAC Learning on ports, the system cannot authenticate NEAP clients authenticated by RADIUS that connect through those ports.

If a packet contains the MAC address destination of a device connected to the switch on a port where learning is disabled, the system duplicates the packets on all other ports and ARP continues to function.

However, if you use Static MAC FDB Entry to insert addresses the features function as expected, except for ADAC : when you disable MAC learning on the port in which the telephone is inserted, the system will not perform auto configuration by adding a static MAC address.

You cannot disable learning on a single port that is part of a MLT/DMLT/LAG trunk. You must have MAC learning disabled on all ports in that trunk. For doing this, it is enough to disable MAC learning on a port that is a member of the MLT/DMLT/LAG trunk, and the other ports that are members of the same MLT/DMLT/LAG trunk will instantly have MAC learning disabled on them. You cannot create a trunk that includes only one port with learning disabled.

Static FDB MAC Entry

The forwarding database (FDB) contains information that maps the MAC address of each known device to the switch port where the device address was learned.

When you use the Static FDB MAC Entry feature you can configure static MAC address entries in the FDB (the MAC address table). Once you configure a static MAC address entry in the FDB, the static MAC address does not age out like a dynamically learned address. A static address from the FDB is a unicast address and the system does not erase it after switch resets or when link-down events occur.

You can configure up to 1,024 static MAC addresses in the FDB.

Static FDB MAC Entry works in conjunction with the Disable MAC Learning feature.

Static MAC address entries display the following behavior:

- Remain in NVRAM after switch reset.
- Propagate across the stack during database exchange.
- When you remove a unit from the stack, the static MAC address table entries for the ports belonging to that unit are no longer available for the stack, and the traffic for that static MAC address floods. When the unit rejoins the stack, the system repopulates the MAC address table for the stack and forwards traffic normally.
- When you join two or more units to a stack, if the total number of the static addresses from all the units is greater than the max number, the system retains only the static addresses from the base unit (BU) and removes the addresses from the non-base unit (NBU).
- The static MAC addresses are saved into the ASCII configuration file.
- If the MAC address table is full or the maximum number of static MAC addresses is reached, you cannot insert any more static addresses in the MAC address table until you clear some static addresses.
- If you insert a static MAC address in the MAC address table for a port and the device is not plugged into that port, the switch does not flood the traffic for that MAC address to other ports, and the system drops the packets.
- You cannot delete a VLAN while static addresses for that VLAN remain in the system.
- You cannot remove a port from a VLAN when static addresses exist for the pair (VLAN, port).

You can insert static MAC addresses for both a port and a trunk. However, the following limitations apply when you add static addresses for a trunk:

- You cannot add a static address for a port if the port is part of a trunk.
- You cannot add a port to a trunk if static addresses for that port exist in the MAC address table.
- You cannot erase or disable a trunk if static addresses for that trunk exist in the MAC address table.
- If you insert a static address for a LAG trunk, when the LAG trunk disaggregates, the system erases the address and inserts a system log.

- If you insert a static address for a LAG trunk; the system does not save that static address in the ASCII configuration file.
- If you insert a static address for a LAG trunk, the system does not save the address in NVRAM, and therefore these entries are not restored after a switch reset

! **Important:**

You should not use Disable MAC Learning and Static FDB MAC Entry features in conjunction with ADAC, EAP, MAC Security or L3. However, if you choose to use these features together, you are advised to configure the other applications (ADAC, EAP, MAC Security, or L3) prior to the insertion of the static address. If you configure one of these applications (ADAC, EAP, MAC Security, or L3) after you insert the static address, the application will not be informed of the existence of that particular address, so the device with the address will be unknown to the application.

FDB Entry Scenarios

If the system dynamically learns a MAC address on a port or trunk that is a member of a VLAN, and you manually insert that MAC address into the MAC address table, one of the following applies:

- If the existing dynamic entry matches the static information (same port, trunk and VLAN information), the system modifies the entry to a static one.
- If the existing dynamic entry matches the VLAN information with a different port or trunk, the system erases the dynamic entry and inserts the new static one with the changed port or trunk.
- If the existing dynamic entry matches the port or trunk information with a different VLAN, the system maintains the existing entry and inserts a new static entry.
- If the existing dynamic entry differs in VLAN, port, and trunk information, the system maintains the existing entry and inserts a new static entry.

If you insert a static MAC address in the MAC address table on a port or trunk that is a member of a VLAN, and subsequently you insert a static entry for the same MAC address:

- On another port or trunk but on the same VLAN, the system migrates the static address to the new port or trunk.
- On a different VLAN, the system inserts a static entry for the new pair (VLAN, port or trunk).

If you insert a static MAC address in the MAC address table for a port or trunk that is a member of a VLAN, and subsequently the system receives a packet with the same MAC address:

- On another port or trunk but the same VLAN, the system does not dynamically learn the address and drops the packet. The static MAC address has priority over any dynamically learned addresses.
- On another or the same port or trunk but on a different VLAN, the system dynamically inserts an entry for the new pair (VLAN, port or trunk)

MAC Flush

You can use the MAC Flush feature to clear MAC Address entries directly from the MAC Address Table (or Forwarding Data Base). For dynamically learned addresses, if you do not use the MAC Flush feature, you can use the following indirect methods:

- power cycling the switch
- deleting, and then recreating the VLAN
- unplugging, and then replugging the port to flush out all addresses learned on the port

MAC Flush provides the following options to flush out MAC Address entries:

- clear a single MAC Address
- clear all MAC addresses from a port (or list of ports)
- clear all MAC addresses from a trunk (MLT or LAG)
- clear all MAC addresses from a particular VLAN
- clear only dynamic or only static addresses from a port
- clear only dynamic or only static addresses from a VLAN
- clear only dynamic or only static addresses from a trunk
- clear all static addresses
- clear all dynamic addresses
- clear all MAC addresses

MAC Flush clears only dynamically learned or statically entered MAC Addresses. MAC Flush does not delete MAC Addresses created by MAC Security or Port Mirroring because deletion of these MAC Addresses can affect the MAC Security or Port Mirroring function.

MAC Addresses for MAC Security or Port Mirroring have one of the following identifiers:

- AGELOCK
- SECRET
- STATIC

Higher priority tasks can delay MAC Address clearing.

You can configure MAC Flush in CLI, SNMP, and Enterprise Device Manager.

Voice VLAN integration

Voice VLAN provides centralized creation and management of Voice VLAN using VLAN-specific commands. You can also configure a statically allocated port that you can permanently assign to the Voice VLAN, where that port still persists after a system boot. Another advantage of a statically allocated port is that it does not have to participate in the ADAC discovery process, when this

behavior is desired. With Voice VLAN Integration, the switch creates static Voice VLANs and Layer 3 configurations can be applied as per standard operational procedures. Voice VLAN integration is specifically useful when Layer 3 configurations are required for ADAC Voice VLAN.

When an application such as ADAC or EAP requires a Voice VLAN, create the Voice VLAN with the new VLAN commands before configuring this Voice VLAN in the required application. An error message is displayed if the VLAN ID does not exist or is not configured as a Voice VLAN.

When you delete a Voice VLAN, the system ensures it is not used by any of the dependent applications before proceeding with the deletion. An error message is displayed if the Voice VLAN is in use.

*** Note:**

You should not use the same Voice VLAN for different features.

You can configure up to 6 Voice VLANs.

MLT/DMLT/LAG Dynamic VLAN

Link Aggregation Groups (LAG) provide consistent operation of Multi-Link Trunk (MLT), Distributed Multi-Link Trunk (DMLT), and LAGs so that you can make VLAN changes on trunks without disabling the trunk first.

The switch allows you to move a LAG member into a VLAN and all ports that have LACP enabled with the same LACP key are moved. This behavior is similar to MLT and DMLT.

If you attempt to remove all VLANs from an active MLT/DMLT/LAG, the system displays a message warning you of possible loss of connectivity to the switch, and requests a confirmation to continue. If you remove all MLT/DMLT/LAG ports from all VLANs, the trunk is disabled. The following warning message appears when you remove all the VLANs from an active MLT/DMLT/LAG:

```
Warning: you are about to remove all VLANs from the active trunk group,
doing so could cause loss of connectivity to the switch. Are you sure you
want to continue <Y/N>?
```

This message does not appear if there is one VLAN and multiple VLANs are removed on the port.

When you add a port to a new STG, you must consider using STG port membership in auto mode, so that STP is automatically enabled on that port to prevent loops.

Multinetting

The switch supports the definition and configuration of secondary interfaces on each VLAN. For more information about IP Multinetting, see *Configuring IP Routing and Multicast on Ethernet Routing Switch 4900 and 5900 Series*

Snooping on a VLAN configuration

In IPv4, Layer 2 switches can use Internet Group Management Protocol (IGMP) snooping to limit the flooding of multicast traffic by dynamically configuring Layer 2 interfaces so that multicast traffic is forwarded to only those interfaces associated with IP multicast devices. In IPv6, MLD snooping performs a similar function. With MLD snooping, IPv6 multicast data is selectively forwarded to a list of ports that want to receive the data, instead of flooding all ports in a VLAN.

IGMP snooping

If at least one host on a VLAN specifies that it is a member of a group, by default, the switch forwards to that VLAN all datagrams bearing the multicast address of that group. All ports on the VLAN receive the traffic for that group.

The following figure shows an example of this scenario. Here, the IGMP source provides an IP Multicast stream to a designated router. Because the local network contains receivers, the designated router forwards the IP Multicast stream to the network. Switches without IGMP snoop enabled flood the IP Multicast traffic to all segments on the local subnet. The receivers requesting the traffic receive the desired stream, but so do all other hosts on the network. Although the nonparticipating end stations can filter the IP Multicast traffic, the IP Multicast traffic still exists on the subnet and consumes bandwidth.

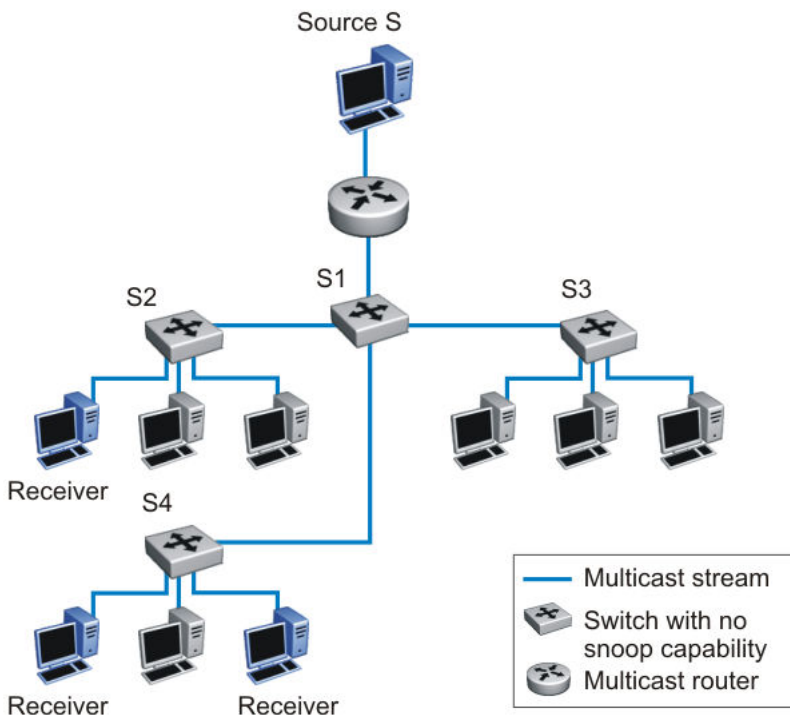


Figure 16: IP multicast propagation on a LAN without IGMP snooping

To prune ports that are not group members from receiving the group data, the switch supports IGMP snoop for IGMPv1, IGMPv2, and IGMPv3. With IGMP snoop enabled on a VLAN, the switch

forwards the multicast group data to only those ports that are members of the group. When using IGMP snooping, VLANs can provide the same benefit as IP Multicast routers, but in the local area.

The switch identifies multicast group members by listening to IGMP packets (IGMP reports, leaves, and queries) from each port. The switch suppresses the reports by not forwarding them out to other VLAN ports, forcing the members to continuously send their own reports. The switch uses the information gathered from the reports to build a list of group members. After the group members are identified, the switch blocks the IP Multicast stream from exiting any port that does not connect to a group member, thus conserving bandwidth.

As shown in the following figure, after the switches learn which ports are requesting access to the IP Multicast stream, all other ports not responding to the queries are blocked from receiving the IP Multicast data.

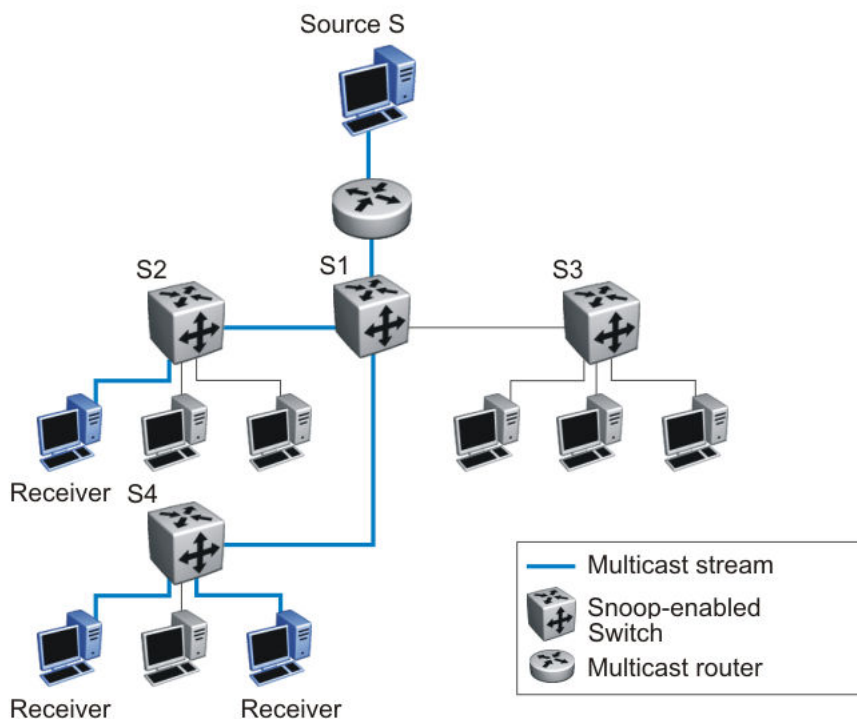


Figure 17: Switch running IGMP snooping

The switch continues to forward the IGMP membership reports from the hosts to the multicast routers, and also forwards queries from multicast routers to all port members of the VLAN.

MLD snooping

MLD snooping is an IPv6 multicast constraining mechanism running on Layer 2 devices. When MLD snooping is enabled on a VLAN, Ethernet Routing Switch examines the MLD messages between hosts and multicast routers and learns which hosts are interested in receiving traffic for a multicast group. Based on the learning, the switch forwards multicast traffic only to those interfaces in the VLAN that are connected to the interested receivers instead of flooding traffic to all the interfaces.

When MLD snooping is enabled, all unknown multicast traffic is dropped.

The following figure shows an example of this scenario. On the left side of the figure, IPv6 multicast packets are transmitted when MLD snooping is not enabled. All the hosts that are interested and not interested receive the IP Multicast traffic consuming bandwidth. Whereas, on the right side of the figure, when MLD snooping is enabled and IPv6 multicast packets are transmitted, only the interested hosts receive the IP multicast packets.

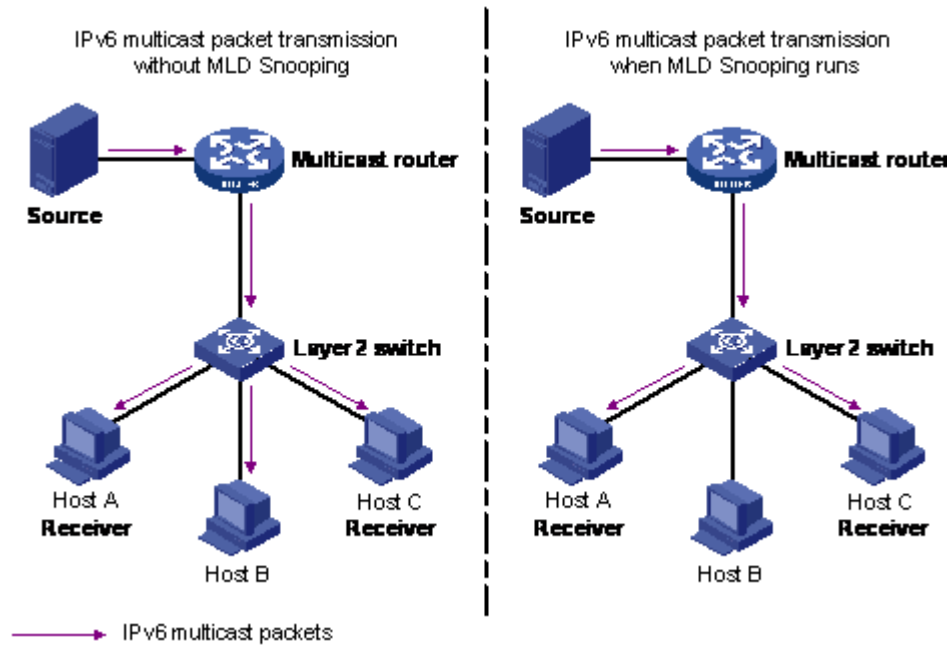


Figure 18: IPv6 multicast packet transmission when MLD snooping is enabled and not enabled

The following figure shows IPv6 multicast packets transmitted when MLD v2 snooping is enabled and not enabled.

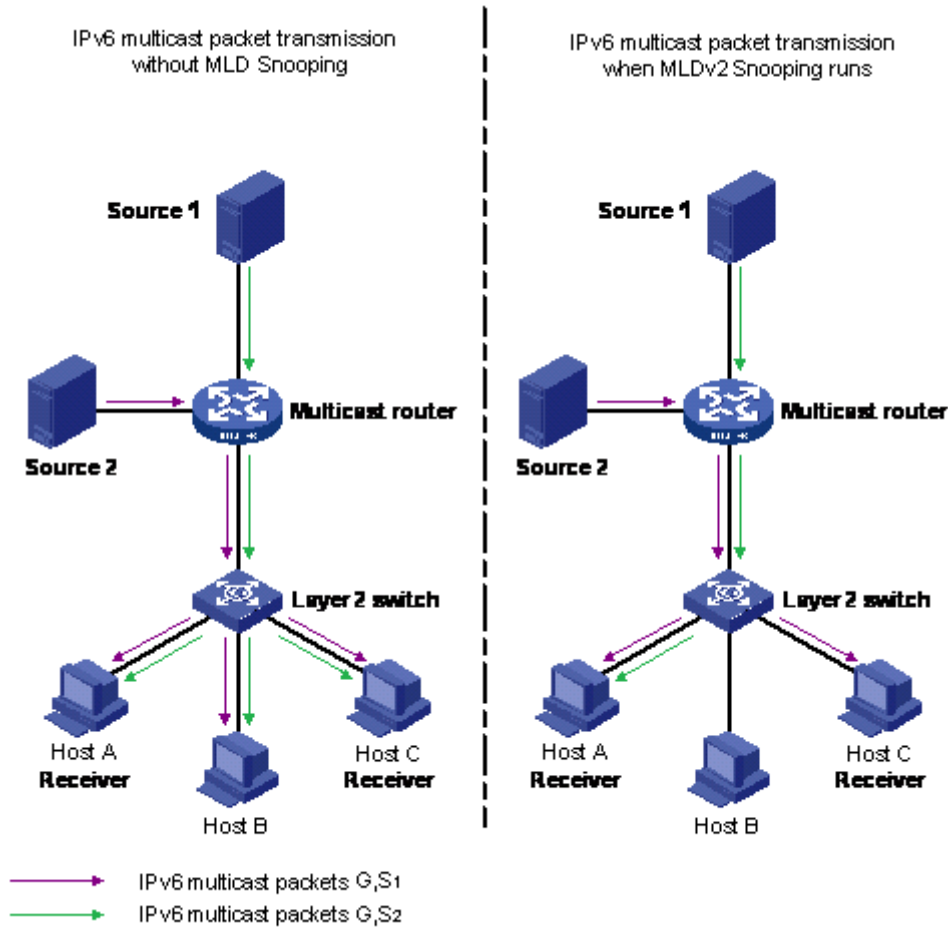


Figure 19: IPv6 multicast packet transmission when MLD v2 snooping is enabled and not enabled

Chapter 4: MLT Fundamentals

MultiLink trunks

With MultiLink trunks, you can group a maximum of 8 switch ports to form a link to another switch or server, thus increasing aggregate throughput of the interconnection between the devices (up to 8 Gigabits if using Gigabit ports or 80 Gigabits if using 10 Gigabit ports). You can configure a maximum of 32 MultiLink trunks. The trunk members can reside on a single unit or on multiple units within the same stack configuration as a distributed trunk. MultiLink Trunking software detects the links that are down or broken and redirects traffic that used to flow on these links to other remaining active links.

You can use the Command Line Interface (CLI) or Enterprise Device Manager (EDM) to create switch-to-switch and switch-to-server MultiLink trunk links.

Client-server configuration using MultiLink trunks

[Figure 20: Client/server configuration example](#) on page 42 shows an example of how you can use MultiLink Trunking in a client/server configuration. In this example, both servers connect directly to Switch S1. FS2 is connected through a trunk configuration. The switch-to-switch connections are through trunks.

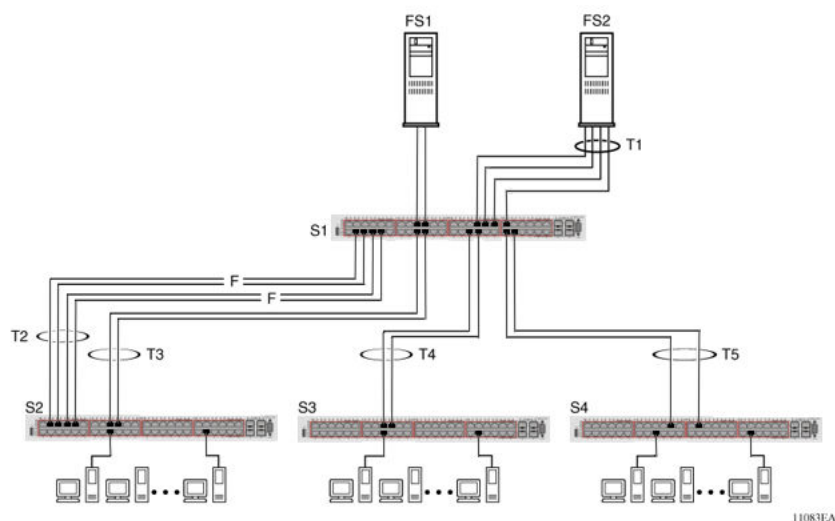


Figure 20: Client/server configuration example

Clients who access data from the servers (FS1 and FS2) use maximum bandwidth through trunks T1, T2, T3, T4, and T5. Trunk members (the ports that make up each trunk) need not be consecutive switch ports; ports can be selected randomly, as shown by T5.

With spanning tree enabled, one trunk (T2 or T3) acts as a redundant (backup) trunk to Switch S2. With spanning tree disabled, you must configure trunks T2 and T3 into separate VLANs for this configuration to function properly.

Before Trunks are Configured

When you create and enable a trunk, the trunk members (switch ports) take on certain settings necessary for the correct operation of the MultiLink Trunking feature.

Before you configure a MultiLink trunk, consider the following settings and specific configuration rules:

1. Read the configuration rules provided in the following section.
2. Determine which switch ports (up to eight) are to become trunk members (the specific ports that make up the trunk). Each trunk requires a minimum of two ports.

! Important:

Disabled ports can belong to MLTs. For traffic to flow to your configured MLT ports, be sure you enable them.

3. Ensure that the trunk member ports have the same VLAN configuration.
4. To avoid configuration errors, all network cabling must be complete and stable before you configure any trunks.

! Important:

If trunk ports are STP-enabled, ensure that all potential trunk members are connected to their corresponding members; otherwise, STP cannot converge correctly, and traffic loss can result.

5. Consider how the existing spanning tree reacts to the new trunk configuration.

! Important:

If potential trunk ports are connected and STP is disabled on these ports, a loop is formed; to avoid this situation, enable the trunk before you disable STP.

6. Consider how the addition of a trunk will affect existing VLANs.

MultiLink Trunking Configuration Rules

The MultiLink Trunking feature is deterministic; that is, it operates according to specific configuration rules. When you create trunks, consider the following rules that determine how the MultiLink trunk reacts in any network topology:

- Disabled ports can belong to MLTs. For traffic to flow to your configured MLT ports, be sure that you enable them (enable ports using the `no shutdown` command in CLI in interface mode).
- All trunk members must have the same VLAN configuration before you enable the trunk using the `mlt <id> enable` CLI command.
- When you configure an active port in a trunk, the port becomes a trunk member when the Trunk Status field is Enabled. The spanning tree parameters for the port then change to reflect the new trunk settings.
- If you change the spanning tree participation of any trunk member to Enabled or Disabled, the spanning tree participation of all members of that trunk changes similarly.
- If you change the VLAN settings of any trunk member, the VLAN settings of all members of that trunk change similarly.
- A MLT/DMLT/LAG member can not be configured as a monitor port.
- Isolated ports are not supported on DMLT trunks.
- All trunk members must have identical Internet Gateway Management Protocol (IGMP) configurations.
- If you change the IGMP snooping configuration for any trunk member, the IGMP snooping settings for all trunk members change.
- You should not enable MAC Address Security on trunk ports.
- MLT ports can participate in different STGs. They must have the same spanning tree learning in every group but not necessarily the same learning between different groups to consistently update their state in the port driver.
- Like normal ports, MLT ports can participate with different spanning tree learning for different spanning tree groups. Trunk ports that are in multiple spanning tree groups must be tagged, and all MLT members must belong to the same spanning tree group.

MLT load-balancing

The following section describes the MLT load-balancing modes for unicast and non-unicast traffic.

Unicast MLT hashing

The switch supports two modes of MLT load-balancing for Unicast traffic: Basic for layer 2 operation and Advanced for Layer 3 operation. You can configure this option using the `mlt <1-32> loadbalance` command.

You can also use the `show mlt hash-calc` command to display the MLT hashing for a particular MAC source and destination address (loadbalance Basic) or IP source and destination address (loadbalance Advance).

If the advanced load balancing mode is selected for non-IP packets, load balancing falls back to MAC-Based.

Non-unicast MLT hashing

The non-unicast MLT hashing feature improves load balancing by ensuring better distribution of non-unicast traffic on MLT ports. This feature ensures that the L2 multicast, IP Multicast, DLF (Unknown Unicast) and broadcast traffic is load-balanced across MLT member ports, whereas in prior releases L2 multicast, IP Multicast, DLF (Unknown Unicast) and broadcast traffic was always transmitted on the first active link in the MLT trunk group (Link 1). You can use the `show mlt hash-calc non-unicast` command to display the egress port of a trunk for non-unicast traffic for a particular destination, source and ingress port.

MLT Enable or Disable Whole Trunk

The MLT Enable or Disable Whole Trunk feature is user-configurable switch-wide. The feature is in a disabled state by default. When you enable or disable MLT or DMLT groups, the operational state of the links that make up the bundle are not changed by default. When you disable MLT or DMLT groups, a traffic loop within a network can occur. The switch supports the ability to change this operational mode using the MLT Enable or Disable Whole Trunk capability.

If you enable the MLT Enable or Disable Whole Trunk functionality, the underlying state of the port changes to reflect the state of the MLT or DMLT bundle irrespective of their previous status. Similarly, if you disable the MLT or DMLT then all links that are part of the MLT group are disabled except the Destination Lookup Failure (DLF) link. The DLF link is typically the lowest numbered active port of a MLT or DMLT link.

You can enable or disable individual links of a MLT or DMLT when you enable the MLT Enable or Disable Whole Trunk functionality.

Important:

For network configuration, you should set the MLT Enable or Disable Whole Trunk functionality to enabled.

Trunk members behavior when disabling MLT

If you disable any MLT or DMLT trunk member, the member is not removed from the MLT or DMLT group. The port remains a member of the MLT or DMLT group until it is removed from configuration.

Add and delete links from existing MultiLink trunks

You cannot add or remove ports from the switch MLT, unless you first disable MLT. If you have disabled Whole Trunk functionality then you should be aware that disabling MLT does not disable the ports assigned to the MLT. If the MLT is disabled while having Whole Trunk functionality disabled, the ports of the disabled MLT could create a network loop, depending on other network configurations (for example, Spanning-Tree learning is disabled).

How a MultiLink trunk reacts to losing distributed trunk members

A MultiLink trunk (see [Figure 21: Loss of distributed trunk member](#) on page 46) can cover separate units in a stack configuration. If a unit in the stack becomes inactive due to loss of power or unit failure, the unaffected trunk members remain operational.

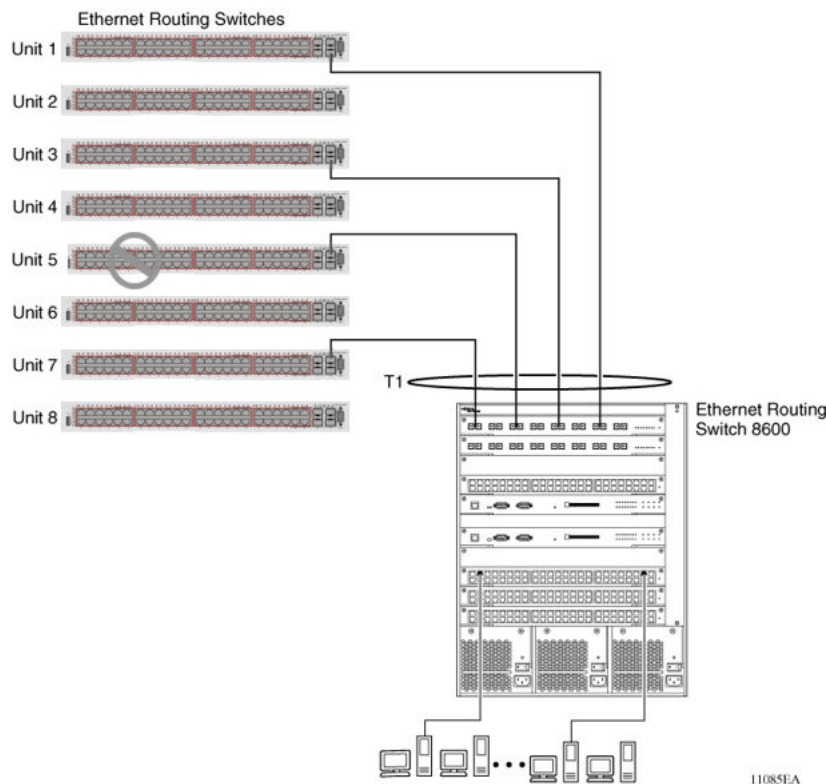


Figure 21: Loss of distributed trunk member

However, until you correct the cause of the failure or change the trunk Status field to Disabled, you cannot modify any of the following parameters for the affected trunk.

- spanning tree configuration
- Port configuration

- IGMP configuration

In addition, you should not modify Rate Limiting until you correct the cause of failure or disable the trunk.

Spanning Tree Considerations for MultiLink trunks

The spanning tree Path Cost parameter is recalculated based on the aggregate bandwidth of the trunk. For example, [Figure 22: Path Cost Arbitration](#) on page 47 shows a two-port trunk (T1) with two port members that operate at an aggregate bandwidth of 2 GB, with a comparable Path Cost of 1. Trunk 2 has two ports at 100 Mb/s with a Path Cost of 5.

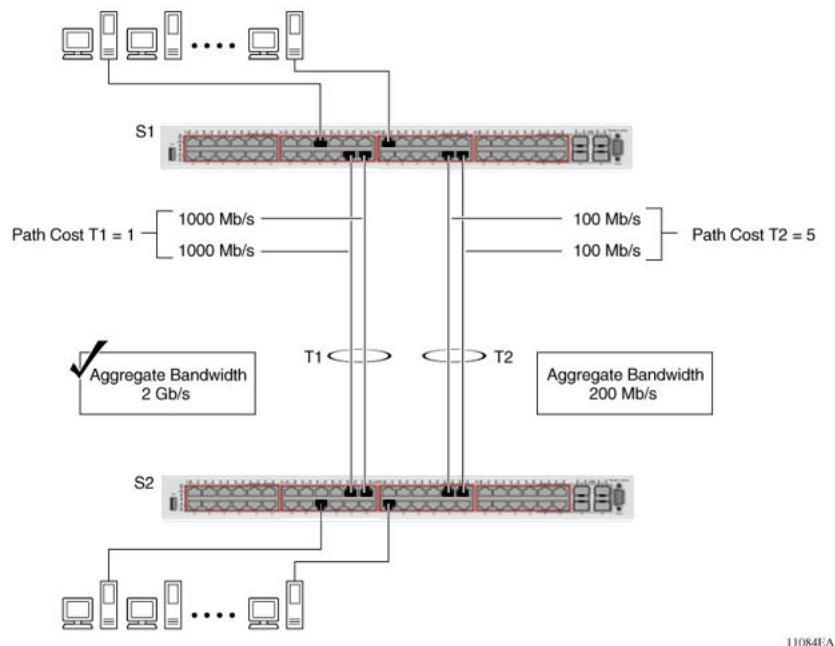


Figure 22: Path Cost Arbitration

When the Path Cost calculations for both trunks are equal, the software chooses the trunk that contains the lowest numbered port as the forwarding path.

! Important:

The default spanning tree Path Cost for all gigabit ports is always equal to 1.

When configuring trunks, be aware that when adding a one-gigabit link in front of another trunk, the trunk becomes blocked because both the link and trunks have a Path Cost of 1.

* Note:

It is recommended to use 802.1t mode if using 10 Gigabit links and other switches in the network support 802.1t.

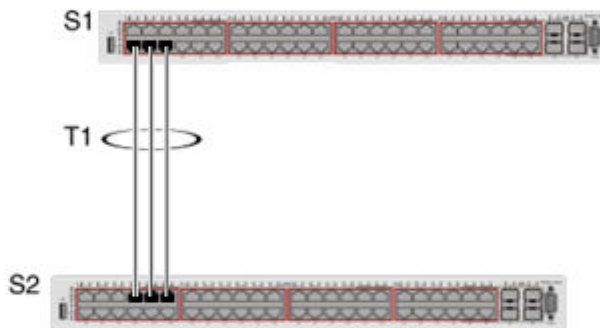
The switch can detect trunk member ports that are physically misconfigured. For example, [Figure 23: Correctly Configured Trunk](#) on page 48 trunk member ports 2, 4, and 6 of Switch S1 are

configured correctly to trunk member ports 7, 9, and 11 of Switch S2. The `show spanning-tree port` command output for each switch shows the port state field for each port in the Forwarding state.

```

>WTC1 (config)#show spanning-tree port
port trunk Participation Priority Path Cost State
-----
1          Normal Learning 128      1      Forwarding
2          Normal Learning 128      1      Forwarding
3          Normal Learning 128      1      Forwarding
4          Normal Learning 128      1      Forwarding
5          Normal Learning 128      1      Forwarding
6          Normal Learning 128      1      Forwarding
7          Normal Learning 128      1      Forwarding
8          Normal Learning 128      1      Forwarding
9          Normal Learning 128      1      Forwarding
10         Normal Learning 128      1      Forwarding
11         Normal Learning 128      1      Forwarding
12         Normal Learning 128      1      Forwarding
13         Normal Learning 128      1      Forwarding
14         Normal Learning 128      1      Forwarding
15         Normal Learning 128      1      Forwarding
16         Normal Learning 128      1      Forwarding
17         Normal Learning 128      1      Forwarding
18         Normal Learning 128      1      Forwarding
19         Normal Learning 128      1      Forwarding
20         Normal Learning 128      1      Forwarding
    
```

S1 Port Configuration



```

>WTC2 (config)#show spanning-tree port
Port trunk Participation Priority Path Cost State
-----
1          Normal Learning 128      1      Forwarding
2          Normal Learning 128      1      Forwarding
3          Normal Learning 128      1      Forwarding
4          Normal Learning 128      1      Forwarding
5          Normal Learning 128      1      Forwarding
6          Normal Learning 128      1      Forwarding
7          Normal Learning 128      1      Forwarding
8          Normal Learning 128      1      Forwarding
9          Normal Learning 128      1      Forwarding
10         Normal Learning 128      1      Forwarding
11         Normal Learning 128      1      Forwarding
12         Normal Learning 128      1      Forwarding
13         Normal Learning 128      1      Forwarding
14         Normal Learning 128      1      Forwarding
15         Normal Learning 128      1      Forwarding
16         Normal Learning 128      1      Forwarding
17         Normal Learning 128      1      Forwarding
18         Normal Learning 128      1      Forwarding
19         Normal Learning 128      1      Forwarding
20         Normal Learning 128      1      Forwarding
    
```

S2 Port Configuration

11087EA

Figure 23: Correctly Configured Trunk

! Important:

Cost varies with port speed. For example, the cost for a 1 Gb/s port is 1, while the cost for a 100 Mb/s port is 3.

If trunk member port 11 of root Switch S2 is physically disconnected and then reconnected to port 13, the `show spanning-tree port` command output for Switch S1 changes to show port 6 in the Blocking state, see [Figure 24: Detecting a Misconfigured Port](#) on page 49.

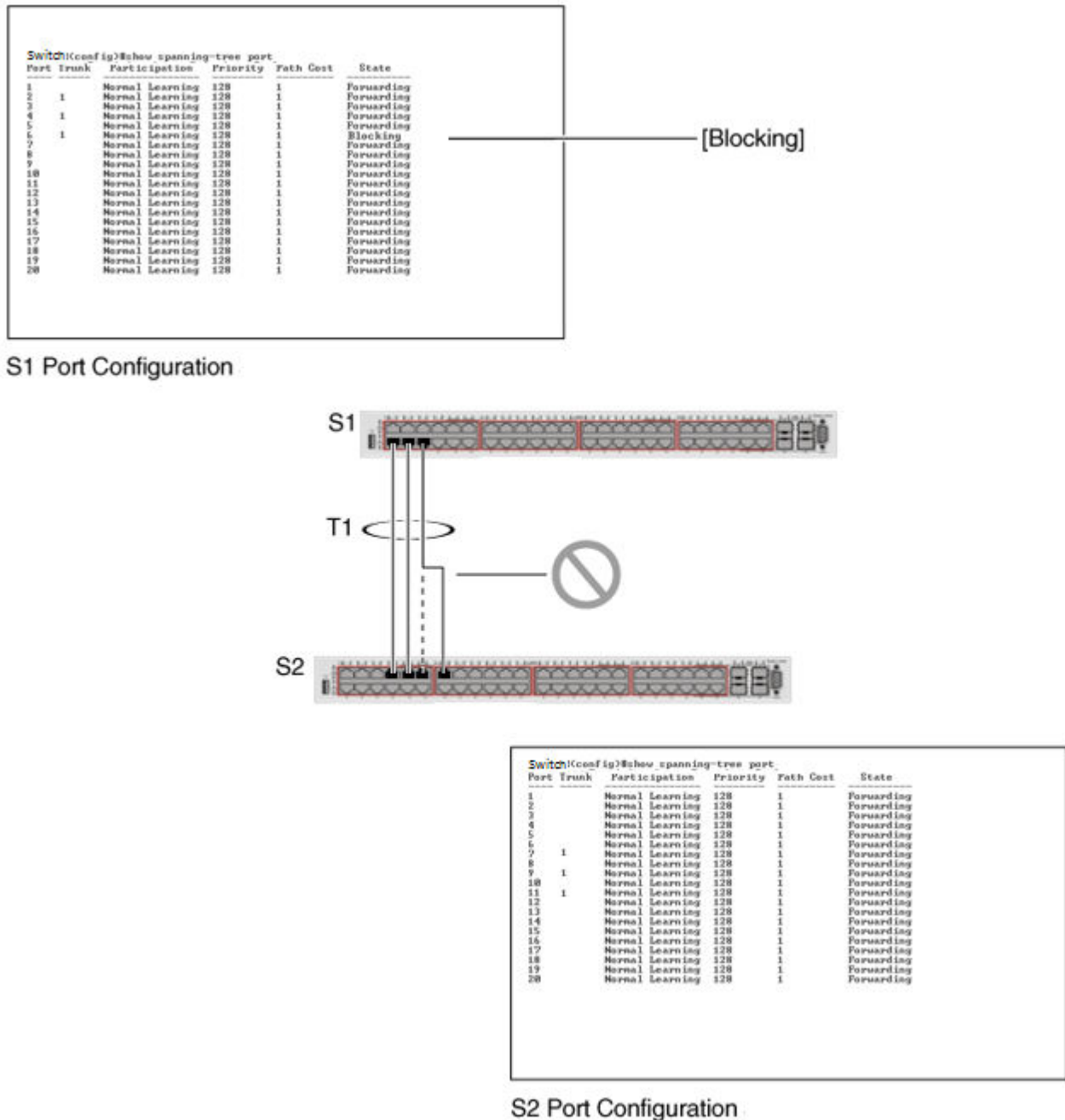


Figure 24: Detecting a Misconfigured Port

11088EA

! Important:

If the port speed is 100 Mb/s, the STP cost for trunk members on S2 is 5.

Additional Tips About the MultiLink Trunking Feature

When you create a MultiLink trunk, the individual trunk members (the specific ports that make up the trunk) logically connect and react as a single entity. For example, if you change spanning tree parameters for any trunk member, the spanning tree parameters for all trunk members change.

To change port membership in MultiLink Trunking, you must perform this procedure:

1. Disable the trunk.
2. Make the change.
3. Reenable the trunk.

All configured trunks are indicated with `show spanning-tree port <port_list>` CLI command. The Trunk field lists the active trunks that are adjacent to the port numbers that correspond to the specific trunk member for that trunk.

When you change a Spanning Tree parameter for one trunk member, the modification affects all trunk members.

Management stations view the trunk as a single spanning tree port. The spanning tree port is represented by the trunk member with the lowest port number. For example, if ports 13, 14, 15, and 16 are trunk members of trunk T1, the management station views trunk T1 as spanning tree port 13.

SLPP

The original design intent of Simple Loop Prevention Protocol (SLPP) was to detect loops in a SMLT topology. Beginning with Release 7.5, SLPP is now available independent of the SMLT context and can be used as an alternative to STP. SLPP acts as a secondary mechanism for detection and prevention of looping in a SMLT environment. Because SMLT requires STP to be disabled on IST, SMLT and SLT ports for normal operation, loops might be introduced to a network. SLPP is designed to prevent such loops and resulting traffic disruptions. The ERS 4900 and ERS 5900 series switches do not support SMLT. SLPP is offered as an alternative to Spanning Tree Protocol for loop detection.

When SLPP is enabled, the switch sends a periodic SLPP PDU on the transmitting VLAN at a user defined or default (500 ms) transmission interval. If a loop is active in the network, the SLPP PDU is returned to the switch and the affected port is shutdown after the specified number of PDU has been received (Default is 5). If a port is shutdown as the result of a detected loop, it must be manually returned to an active state unless auto enable is configured. SLPP only sends a PDU to VLANs specified in the transmitting list configured by the user.

*** Note:**

When SLPP is configured in addition to STP, STP operation takes precedence leaving SLPP as a supplementary measure for loop detection.

SLPP Guard

Because SMLT networks, by design, disable Spanning Tree (STP), Rapid Spanning Tree (RSTP), or Multiple Spanning Tree Protocol (MSTP) for participating ports, you need a method to prevent loops involving these ports.

When you use the switch in combination with other switches that support Simple Loop Protection Protocol (SLPP) and Switch Clustering (SMLT) - for example, VSP 8000 Series, VSP 7200 Series, or VSP 4000 Series— the SLPP Guard feature provides additional network loop protection.

Because the switch does not support SLPP, it does not generate SLPP packets on ports that have SLPP Guard enabled, but when you enable SLPP Guard on switch ports, they can receive SLPP packets. When the system receives the SLPP packet it can generate a local log message, syslog message, and SNMP traps. When you enable SLPP Guard on a switch port and the switch receives an SLPP packet on that port, SLPP Guard can immediately disable the port operationally, for a predetermined interval.

For example: switch port 1 connects to ERS 8400 port 1/1, the links are configured for SMLT, and a loop is created. With SLPP enabled on port 1/1, the ERS 8400 transmits SLPP packets from that port. With SLPP Guard enabled on switch port 1, when this port receives an SLPP packet the system automatically shuts the port down, preventing the possibility of data looping between switch port 1 and ERS 8400 port 1/1. After the predetermined interval expires, SLPP Guard re-enables the port. As an option, you can configure SLPP Guard to operationally disable the port indefinitely.

*** Note:**

You cannot enable SLPP Guard on ports that are members of MLTs, DMLTs, LACPs, or LAGs.

SLPP Guard on trunk

The SLPP Guard on trunk feature provides loop protection on ports that belong to MLT, DMLT, or LAC trunks. When SLPP Guard state or timeout of a port is configured, the SLPP Guard on trunk checks if the port belongs to an MLT or LAC trunk, in which case the settings are propagated on all ports that belong to that trunk.

Chapter 5: Spanning Tree Protocol

The switch can use one of three spanning tree protocols. These include the Spanning Tree Protocol (STP), the Rapid Spanning Tree Protocol (RSTP), and the Multiple Spanning Tree Protocol (MSTP).

The operation of the STP is defined in the IEEE 802.1d standard. STP detects and eliminates logical loops in a bridged or switched network. When multiple paths exist, the spanning tree algorithm configures the network so that a bridge or switch uses only the most efficient path. If that path fails, the protocol automatically reconfigures the network and makes another path active, which sustains network operations. You can control path redundancy for VLANs by implementing the STP.

A network can include multiple instances of STP. The collection of ports in one spanning tree instance is called a spanning tree group (STG). The switch supports STP and up to 8 spanning tree groups.

Spanning tree groups

Each STG consists of a collection of ports that belong to the same instance of the STP protocol. These STP instances are completely independent from each other. For example, they send their own Bridge Protocol Data Unit (BPDU), and have their own timers.

Multiple STGs are possible within the same switch such that the routing switch can participate in the negotiation for multiple spanning trees. The following figure shows multiple spanning tree groups.

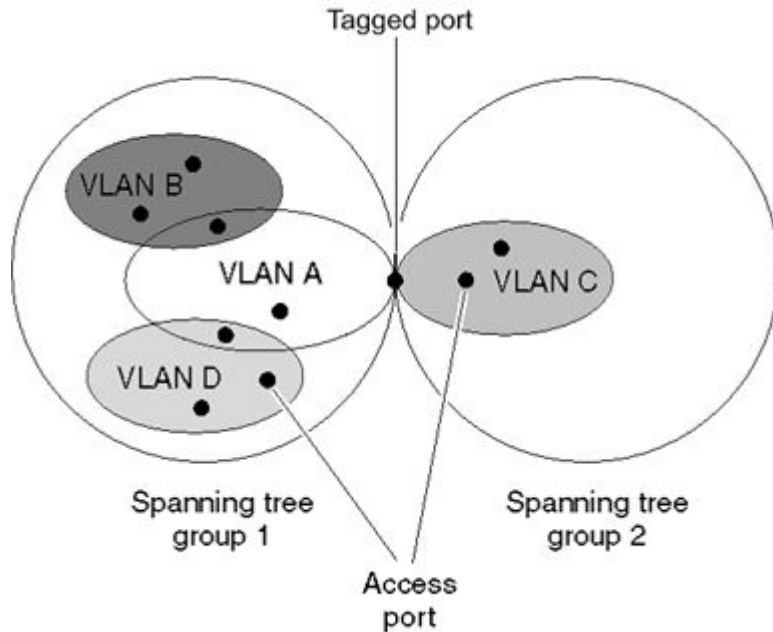


Figure 25: Multiple spanning tree groups

STG port membership mode

IEEE 802.1D STGs support normal and auto STP port membership modes. In the normal mode, when you assign a port to VLAN X and VLAN X is in STP group Y, the port does not automatically become a member of STP group Y. In the auto mode, when you assign a port to VLAN X and VLAN X is in STP group Y, the port automatically becomes a member of STP group Y.

802.1t path cost calculation

You can set the switch to calculate the STG path cost using either the IEEE 802.1d standard or the IEEE 802.1t standard. The 802.1t standard is a maintenance extension to the 802.1d standard.

802.1D compliancy support

In a complex network environment, STP can cause broadcast storms when a switch port fails and recovers frequently. When you enable 802.1D compliancy support, the system prevents broadcast storms by setting the STP state of a port to disabled when the port link is down.

Spanning Tree Protocol controls

The ports associated with a VLAN must be contained within a single spanning tree group. Each untagged port can belong to only one STG, whereas tagged ports can belong to more than one STG. When a tagged port belongs to more than one STG, the spanning tree BPDUs are tagged to distinguish the BPDUs of one STG from those of another STG. BPDUs from STG 1 are not tagged. The tagged BPDUs are transmitted using a multicast MAC address as tagged frames with a VLAN ID. You can specify the multicast MAC address for four Spanning Tree Protocol Groups (STPGs)

and the VLAN ID. Because tagged BPDUs are not part of the IEEE 802.1d standard, not all devices can interpret tagged BPDUs.

You can enable or disable the Spanning Tree Protocol at the port or at the spanning tree group level. When STP is globally enabled on the STG, BPDU handling depends on the STP setting of the port:

- When STP is enabled on the port, received BPDUs are processed in accordance with STP.
- When STP is disabled on the port, the port stays in a forwarding state, received BPDUs are dropped and not processed, and no BPDU is generated.

Understanding STGs and VLANs

For the purpose of STP negotiation, the ports on switch are divided into groups of ports. Each group of ports perform their own spanning tree negotiation with neighboring devices. In switch, these groups of ports are called STGs and up to 8 STGs are supported.

The ports in a VLAN are always a subset of the ports in an STG. A VLAN can include all the ports in a given STG, and multiple VLANs can exist in an STG, but a VLAN cannot have more ports than exist in the STG. Because VLANs are always subsets of STGs, the recommended practice is to plan STGs and then create VLANs.

In the switch default configuration, a single STG encompasses all the ports in the switch. For most applications, this configuration is sufficient. The default STG is assigned ID 1 (STG1).

If a VLAN spans multiple switches, it must be within the same STG across all switches; that is, the ID of the STG in which it is defined must be the same across all devices.

Spanning Tree Fast Learning

Spanning Tree Fast Learning is an enhanced port mode supported by the switch. If Spanning Tree Fast Learning is enabled on a port with no other bridges, the port is brought up quicker after a switch initialization or a spanning tree change. The port goes through the normal blocking and learning states before the forwarding state, but the hold times for these states is the bridge hello timer (2 seconds by default) instead of the bridge forward delay timer (15 seconds by default). The port configured with Fast Learning can forward data immediately, as soon as the switch learns that the port is enabled.

Fast Learning is intended for access ports in which only one device is connected to the switch (as in workstations with no other spanning tree devices). For these ports, it is not desirable to wait the usual 30 to 35 seconds for spanning tree initialization and bridge learning.

*** Note:**

Use Spanning Tree Fast Learning with caution. This procedure is contrary to that specified in the IEEE 802.1D standard for STP in which a port enters the blocking state after the initialization of the bridging device, or after a return from the disabled state when the port is enabled through configuration.

Per-VLAN spanning tree

The switch supports standards-based IEEE 802.1d STP, in addition to supporting proprietary mechanisms for multiple instances of spanning tree. Unfortunately, the IEEE 802.1d spanning tree provides only one instance of the STP that can lead to incomplete connectivity for certain VLANs, depending on the network topology. For example, the following figure shows a network in which one or more VLANs span only some switches. In this example, the STP can block a VLAN path if that VLAN does not span across all switches.

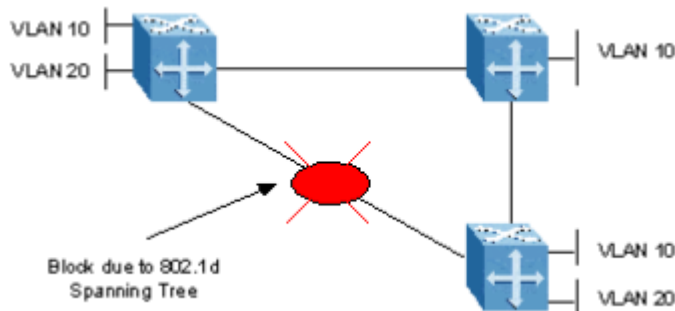


Figure 26: 802.1d spanning tree

You can avoid this issue by configuring multiple spanning tree instances, as shown in the following figure.

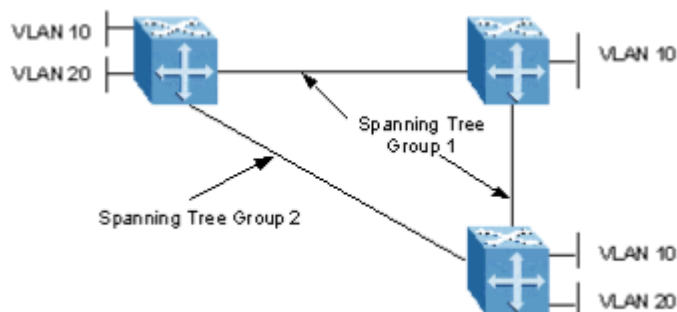


Figure 27: Multiple instances of spanning tree

The switch uses a tagged BPDU address that is associated with a VLAN tag ID. The VLAN tag ID is applied to one or more VLANs, and is used among switches to prevent loops. The same tagged BPDU addresses are configured on all switches in the network.

Spanning Tree BPDU Filtering

The switch supports Bridge Protocol Data Unit (BPDU) Filtering for a STG, RSTP, and MSTP.

The STP detects and eliminates logical loops in a bridged or switched network. A bridge that participates in the spanning tree exchanges information with other bridges using BPDUs. Based on the BPDU information exchange, the bridge with the lowest bridge ID becomes the root. This process is called the root selection process. When you add or remove a bridge from the spanning tree, the root selection process repeats and a new root is selected.

With BPDU Filtering, the network administrator can achieve the following:

- Block an unwanted root selection process when an edge device (for example, a laptop running Linux and enabled with STP) is added to the network. This prevents unknown devices from influencing an existing spanning tree topology.
- Block the flooding of BPDUs from an unknown device.

Important:

The STP BPDU Filtering feature is not supported on MultiLink Trunk (MLT) ports. Error message appears if you enable the BPDU filter feature on some ports, and then those ports are added to the MLT.

The following actions occur when BPDU Filtering is enabled on a port and the port receives STP BPDU:

- The port goes into the operational disabled state.
- A trap is generated and the log message is written to the log.
- The port timer starts. The port stays in the operational disabled state until the port timer expires.

If you disable the timer or reset the switch before the timer expires, the port remains in the disabled state

- You can enable or disable the BPDU Filtering feature on a port to port basis. The BPDU Filtering timer is configurable for each port and the valid range is 10 to 65535 seconds. The port timer is disabled if you configure the timer for 0 seconds.

BPDU filtering on trunks

The BPDU filtering on trunk feature provides loop protection on ports that belong to MLT, DMLT, or LAC trunks. When BPDU filtering state or timeout of a port is configured, the BPDU filtering on trunk

checks if the port belongs to an MLT, DMLT, or LAC trunk, in which case the settings are propagated to all ports from that trunk.

When a port that belongs to a trunk which has BPDU filtering enabled and receives a BPDU then the following actions occur:

- All ports from the trunk are administratively disabled.
- Traps and logs are generated.
- Port timer starts.
- All ports of the trunk stay in the disabled state until the port timer expires.
- If the port timer is disabled or if the switch is reset before the port timer expires, the trunk stays in the disabled state.
- If BPDU filtering is disabled before the port timer expires, the port timer stops and the port remains in the disabled state.
- If the port is in the BPDU filtering disabled state, the port must be manually enabled to bring it back up to the normal mode.

STPG

STPG is a proprietary version of STP based on 802.1d. While 802.1d supports only one spanning tree instance, STPG supports up to eight spanning tree instances.

Rapid Spanning Tree Protocol and Multiple Spanning Tree Protocol

The IEEE 802.1d STP implementation on the switch is slow to respond to a topology change in the network (for example, a dysfunctional link in a network). The RSTP (IEEE 802.1w) reduces recovery time after a network breakdown. It also maintains a backward compatibility with the IEEE 802.1d, which was the Spanning Tree implementation prior to RSTP. In certain configurations, the recovery time of RSTP can be reduced to less than 1 second. The backward compatibility is maintained by configuring a port to be in STP-compatible mode. A port operating in the STP-compatible mode transmits and receives only STP BPDUs and drops any RSTP BPDUs.

RSTP also reduces the amount of flooding in the network by enhancing the way the Topology Change Notification (TCN) packet is generated.

RSTP enables the switch to achieve the following:

- Reduction of converging time from 30 seconds to less than 1 or 2 seconds when a topology change occurs in the network (ports going up or down).

- Elimination of unnecessary flushing of the MAC database and flooding of traffic to the network with a new Topology Change mechanism.
- Backward compatibility with other switches running legacy 802.1d STP or MSTP (STP group 1 only).
- Ability to run MSTP, RSTP, or MSTP.

RSTP interoperability with STP

ForceVersion parameter provides backward compatibility with standard STP. A user can configure a port in either STP compatible mode or RSTP mode:

- An STP-compatible port transmits and receives only STP BPDUs. Any RSTP BPDU that the port receives in this mode is discarded.
- An RSTP-compatible port transmits and receives only RSTP BPDUs. If an RSTP port receives a STP BPDU, it becomes an STP port. User intervention is required to change this port back to RSTP mode. This process is called Port Protocol Migration.

Multiple Spanning Tree Protocol

The MSTP (IEEE 802.1s / 802.1Q-2005 clause 13) is an extension to RSTP allowing multiple Spanning Tree instances on the same switch. Both 802.1D and 802.1w STP operate without any regards to a VLAN configuration network. Whereas, 802.1s maps VLANs to multiple spanning tree instances. This allows the switch to use different paths in the network to effectively load balance or distribute VLANs evenly where each Spanning Tree instance blocks the appropriate ports within its own instance. MSTP provides rapid convergence of the spanning tree and is backwards compatible with both RSTP and STP.

*** Note:**

MSTP is the default STP mode on switch.

MSTP effectively uses the RSTP BPDUs extended to include region information and MSTI instance messages. These constitute the MSTP BPDU which, like both RSTP and STP BPDUs, is always untagged. If an MSTP bridge detects a neighboring bridge operating in RSTP mode, the interconnecting interface on the MSTP bridge downgrades to RSTP operation, whereby only RSTP BPDUs are generated on that interface. Likewise if an RSTP or MSTP bridge detects a neighboring bridge operating in STP mode, the interconnecting interface on the MSTP or RSTP bridge downgrades to STP operation, whereby only STP BPDUs are generated on that interface. If a number of MSTP bridges forming an MST region are interconnected to RSTP/STP switches, the RSTP or STP domain considers the MSTP region as one-hop.

Multiple Spanning Tree Instances and Common and Internal Spanning Tree

Under MSTP mode, the switch supports up to eight instances of RSTP. The default instance with an ID of 0 is called the Common Internal Spanning Tree (CIST) instance. Additionally, you can create up to seven instances called Multiple Spanning Tree Instances (MSTIs), with IDs from 1 to 7.

When configuring MSTP, one or more VLANs are assigned to a MSTI and each switch is assigned to an MSTP MST region.

The CIST instance is used to interconnect individual MST regions or MST regions with RSTP or STP LANs, and it is the only MST instance that can extend across regions in order to form the spanning tree of the entire network. You cannot delete the CIST instance or change its MSTI ID. All VLANs not assigned to a specific MSTI are by default assigned to CIST, including the default VLAN 1.

MSTP regions

MSTP functions by organizing switches into regions, which appear as single entities to non-MSTP capable devices. An MST region is defined by a group of switches that share identical MST configuration data.

You must configure an identical MST Configuration Identifier (MCID) on all switches if they must belong to the same MST Region. The MCID contains the following components:

- MCID format selector version—it is a single byte of value 0. This value can be configured, but it must be left at default value 0.
- Region name—variable length text string that you must manually configure. It must be the same across all MSTP bridges which to operate in the same region.
- Region Revision Level or version—it is a 2 byte field and the default value is 0. It must be either 0 or configured to be the same across all MSTP bridges which require to operate in the same region.
- VLAN MSTI membership Configuration Digest—this is a hash signature of the mapping of every possible VLAN ID to an MSTI/CIST instance. You cannot directly configure this component, but it is automatically generated by the MSTP bridge based upon what VLANs are created and to which MSTI or CIST instance they are assigned.

MSTP connects all switches and LANs together with a single CIST where one single CIST root bridge is elected and one CIST regional root bridge is elected for each MST region. While MSTI instances provide loop free switching within a region for VLANs, the CIST instance provides loop free switching between regions with no regards to VLANs.

In order for a number of MSTP bridges to share multiple MSTI instances (and therefore achieve some level of traffic load balancing across VLANs belonging to different MSTI instances) they all must be members of the same MST Region. If that is not the case, then any MSTI instance configured will never extend beyond the local bridge and its forwarding topology collapses onto the CIST forwarding topology (that is, no per VLAN load balancing is possible). The CIST base instance of MSTP works even if MST Regions do not exist.

Configuring the same Region Name and Region Version on all MSTP bridges is not sufficient to make them belong to the same MST Region. It is also necessary for them to have the same exact VLANs configured and these VLANs must be assigned exactly to the same CIST/MSTI instances across all MSTP bridges.

To confirm whether an MSTP bridge belongs to the desired MST Region, the MSTP standard defines the role of the CIST Regional root which identifies the bridge within the MST Region with the lowest external Root path cost, on a Region boundary port, towards the CIST Root. If the CIST Root exists within the MST Region, then the CIST Regional root is the CIST Root bridge.

When a number of MSTP bridges agree on a same CIST Regional root, they are actively part of the same MSTP Region and can now share MSTI instances.

Spanning Tree SPBM interaction

Network-to-Network Interface (NNI) spanning tree participation is disabled for all Backbone VLANs (BVLAN). The BVLANS are assigned to a special STP group that has all ports set permanently in

forwarding state. Because of the specifics of this STP group, in MSTP mode, it is not possible to configure an identical VLAN to MSTI association on a non SPBM enable stackable switch. Therefore, it is not possible to configure an SPBM enabled device in the same MSTP region as a non SPBM enabled stackable switch.

The NNI ports can be added to other VLANs, so the spanning tree participation can be enabled on any STPG or CIST/MSTI for these ports. While in STPG mode, the spanning tree participation is disabled on ports which are not part of any VLAN associated with that STP group. This is not the case for MSTP mode, where the spanning tree participation remains enabled in CIST even if the port is not member in any VLAN associated with the CIST. Because participation in CIST is enabled on NNI ports even when the ports are only members of the BVLANS, this can cause connectivity problems between the devices that belong to SPB-cloud regions and non-SPB cloud regions.

*** Note:**

To avoid connectivity problems, if the NNI ports are only used for SPBM, you must manually remove the NNI ports from all possible VLANs except the BVLANS. Also, disable learning in CIST using the `spanning-tree mstp learning disable` command under Interface Configuration mode.

STP to MSTP transition

This section provides information about the default STP setup and what happens when there is a transition from STP to MSTP.

The following diagram shows a system setup before the STP default mode change. In this setup, the ERS and VSP devices are enabled with SPBM and are connected to a management device which is a non-SPBM device (for example, ERS 5600)

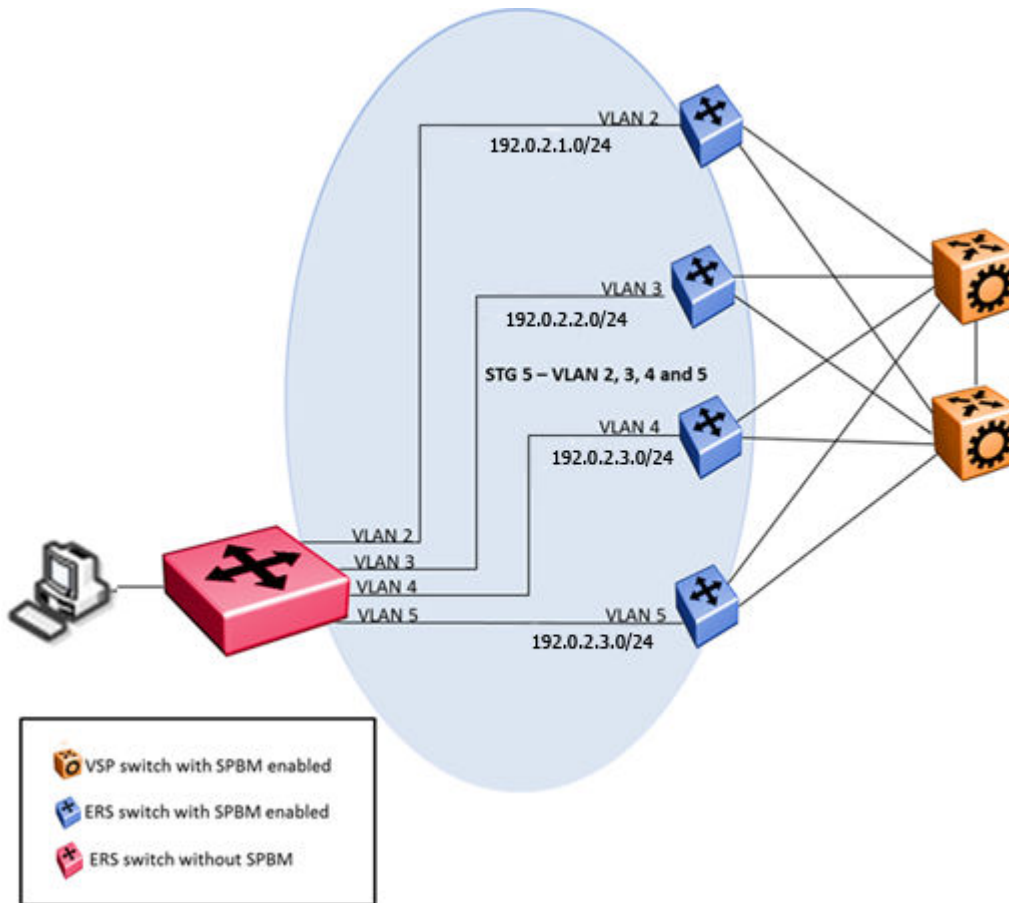


Figure 28: Before STP mode change

When the mode changes from STP to MSTP, STGs become MSTIs. For the MSTI to work, they need to be in the same MSTP region. The following are the conditions for MSTIs to work in the same MSTP region:

- MSTP region name must be the same on all devices.
- MSTI-VLAN mappings must be the same (same number of MSTIs and VLANs).
- All devices must have the MSTP digest in the same region.

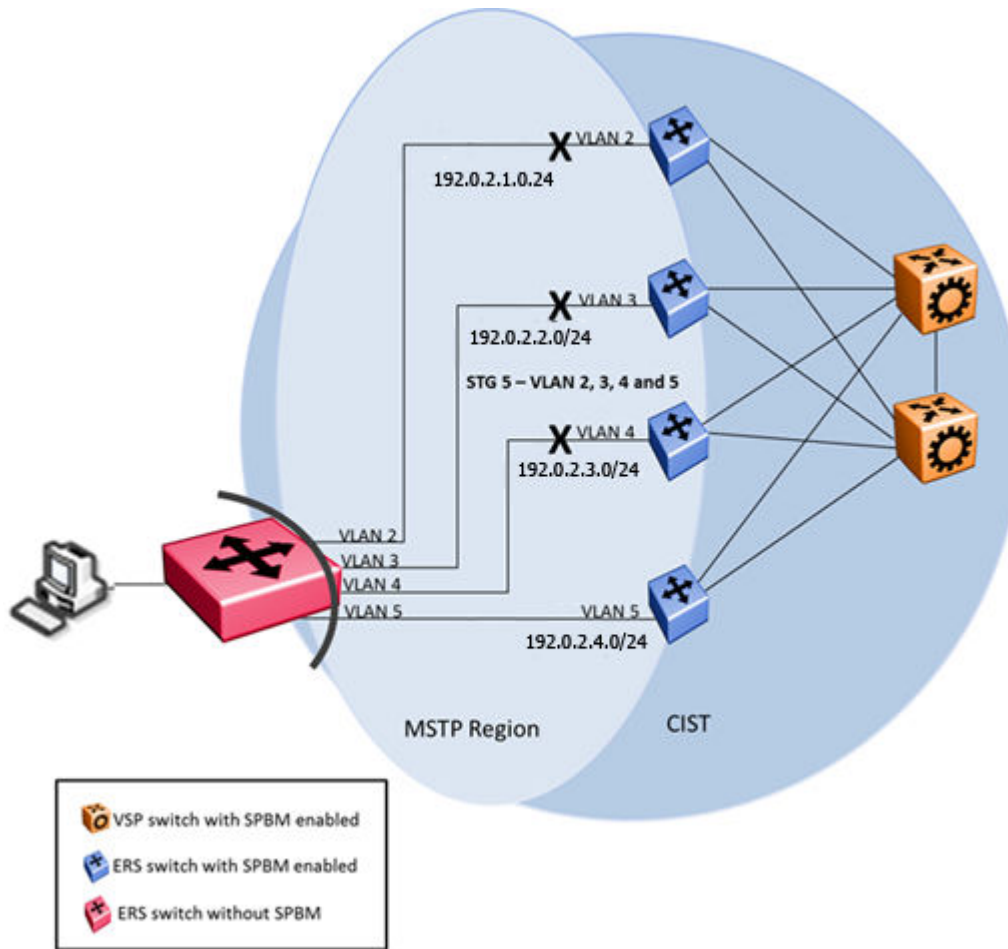


Figure 29: STP to MSTP transition

For SPBM enabled devices, MSTI 62 is used and is not visible. For these devices, the configuration digest is different for non-SPBM devices (in this setup, the management device is ERS 5600). This means, they are not in the same region and the concept of MSTIs between regions is actually constrained by CIST. A single connection between the management device and SPBM enabled device (VLAN 5) is in Forwarding state while the rest of ports are in Alternate Discarding state.

Scenario 1– No SPBM on one device:

In this scenario, there are three ERS devices, S1, S2 and S3.

The following are the details:

- S1 and S2 are SPBM enabled devices.
- S3 is a non-SPBM device.
- MSTI 2 is defined on S1 and S2 and contains SPBM VLANs.
- MSTI 3 is defined on S1 and S2 and contains non-SPBM VLANs.
- MSTI 4 is configured between all devices and it contains VLAN 2 (SPBM VLAN) and VLAN 3 (non-SPBM VLAN). The SPBM cloud is created between S1 and S2.

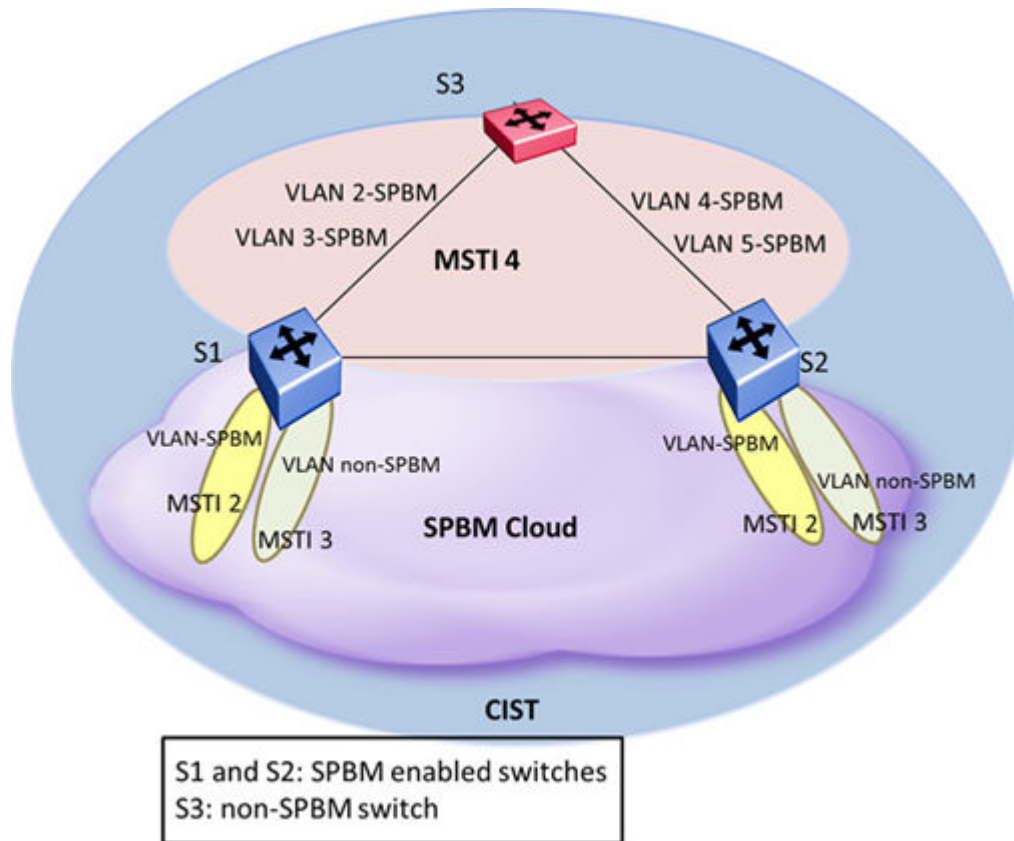


Figure 30: Scenario — SPBM not available on one device

The MSTI concept cannot be used because S3 does not know SPBM. The same problem occurs, MSTI 62 is used by SPBM enabled devices and because of this, MSTP region computations differ. The solution is to map the inexistent MSTI with existent VLAN (BVLAN). Use the following command such that the MSTI VLAN mapping list is same on all devices where the MSTI is defined. Hence, MSTP digest is same on all devices in the MSTI.

```
Switch(config)#spanning-tree mstp msti <msti_number> map-vlans <vlan_list>
```

Where, *vlan_list* is the list of all VLANs in MSTI from all switches in the MSTP Region

Scenario 2– Ports are in Alternate Discarding :

In this scenario, the ports can go to Alternate Discarding.

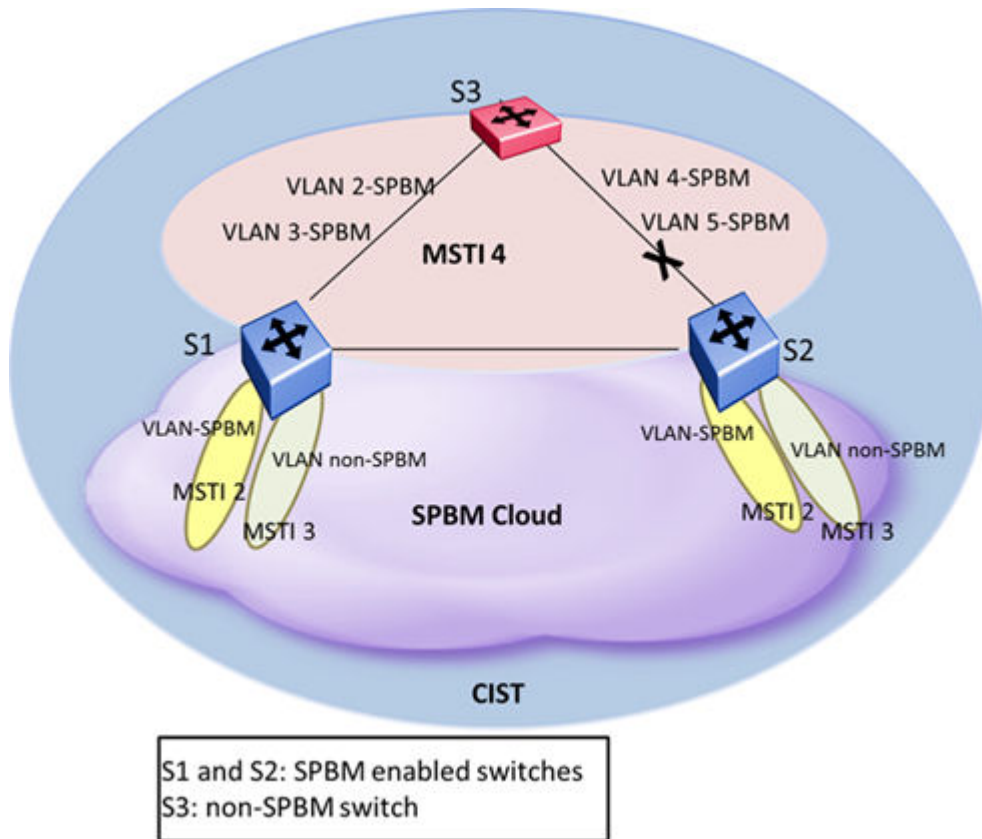


Figure 31: Scenario — Ports in Alternate Discarding

Solution: When IS-IS is enabled on the NNI ports, they are automatically added to the BVLANS. The NNI ports must be removed from default VLAN 1 and learning in CIST must be disabled.

Use the following procedure to remove the NNI ports from the default VLAN 1 and disable learning in CIST on S1 and S2:

```
S1(config)#interface <NNI_ports_list>
S1(config-if)#isis
S1(config-if)#isis spbm <SPBM_instance>
S1(config-if)#isis enable
S1(config-if)#vlan member remove 1 <NNI_ports_list>
S1(config-if)#spanning-tree mstp learning disable
S2(config)#interface <NNI_ports_list>
S2(config-if)#isis
S2(config-if)#isis spbm <SPBM_instance>
S2(config-if)#isis enable
S2(config-if)#vlan member remove 1 <NNI_ports_list>
S2(config-if)#spanning-tree mstp learning disable
```

Port roles for STP and RSTP

RSTP is an enhanced version of STP. These two protocols have almost the same set of parameters. Following are the different port roles:

Root forwarding role

MSTP and RSTP root forwarding roles are as follows:

- The port that receives the best path BPDU on a switch is the root port, and is referred to as a Root Forwarding (RF) port. This is the port that is the closest to the root bridge in terms of path cost.
- The spanning tree algorithm elects a single root bridge in a bridged network each spanning tree instance.
- The root bridge is the only bridge in a network that does not have root ports. All ports on a root bridge are Designated Forwarding (DF).
- Only one path towards a root bridge can exist on a given segment; otherwise, loops can occur.

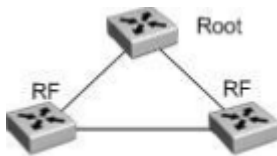


Figure 32: Root forwarding role

Designated forwarding role

MSTP and RSTP designated forwarding roles are as follows:

- All bridges connected on a given segment monitor all the BPDUs of the other bridges. The bridge that sends the best BPDU is the root bridge for the segment by mutual agreement.
- The corresponding port on the bridge is referred to as a Designated Forwarding Port.

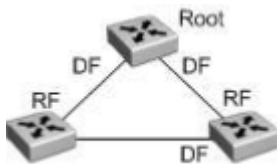


Figure 33: Designated forwarding role

Alternate blocking role

MSTP and RSTP alternate blocking roles are as follows:

- A blocked port is defined as a port not designated by a root port.
- An alternate blocked port is a port that is blocked because it received better path cost BPDUs from another bridge.

Backup discarding port

A Backup Discarding (BU) port is defined as a port that is blocked by receiving more useful BPDUs from the bridge itself on a shared segment.

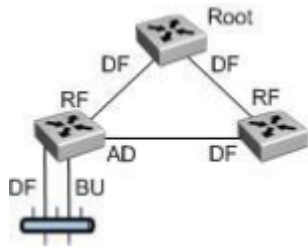


Figure 34: Backup discarding port

Edge port

When a port connects to a nonswitch device, such as a workstation, it must be configured as an edge port. An active edge port enters the forwarding state without delay. An edge port becomes a nonedge port if it receives a BPDU.

The following table lists the differences in port roles for STP and RSTP. STP supports two port roles, while RSTP supports four port roles.

Table 3: Differences in port roles for STP and RSTP

Port Role	STP	RSTP	Description
Root	Yes	Yes	This port receives a better BPDU than its own and has the best path to reach the Root. The root port is in Forwarding state. The root port and designated ports can be in the Discarding state before they go to root forwarding.
Designated	Yes	Yes	This port has the best BPDU on the segment. The designated port is in the Forwarding state
Alternate	No	Yes	This port receives a better BPDU than its own BPDU, and a Root port exists within the same switch. The alternate port is in the Discarding state.
Backup	No	Yes	This port receives a better BPDU than its own BPDU, and this BPDU is from another port within the same switch. The backup port is in the Discarding state.

Path cost values

The following table describes the RSTP and MSTP recommended path cost values that support a wide range of link speeds.

Table 4: Recommended path cost values

Link speed	Recommended value
Less than or equal to 100 Kbit/s	200 000 000
1 Mbit/s	20 000 000
10 Mbit/s	2 000 000
100 Mbit/s	200 000

Table continues...

Link speed	Recommended value
1 Gbit/s	20 000
10 Gbit/s	2 000
100 Gbit/s	200
1 Tbit/s	20
10 Tbit/s	2

Rapid convergent

In RSTP and MSTP, the environment root port or the designated port can ask its peer for permission to go to the Forwarding state. If the peer agrees, then the root port moves to the Forwarding state without any delay. This procedure is called the Negotiation Process.

The following example illustrates how an RSTP port state moves rapidly to Forwarding state without the risk of creating a loop in the network.

- Switch A: Port 1 and 2 are in full duplex. Port 2 is an Edge port.
- Switch B: Port 1, 2, and 3 are in full duplex. Port 2 is an Edge port.
- Switch C: Port 1 and 2 are in full duplex. Port 2 is an Edge port.
- Switch A is the Root.

Negotiation Process

After powering up, all ports assume the role as designated ports. All ports are in the Discarding state, except for Edge ports. Edge ports go directly to the Forwarding state without delay.

Switch A port 1 and switch B port 1 exchange BPDUs, and switch A knows that it is the Root and that switch A port 1 is the Designated port. Switch B learns that switch A has better priority. Switch B port 1 becomes the Root port. Both switch A port 1 and switch B port 1 are still in the Discarding state.

Switch A starts the negotiation process by sending a BPDU with a proposal bit set. Switch B receives the proposal BPDU and sets its non-Edge ports to the Discarding state. This operation is the sync process.

Switch B sends a BPDU with the agreement bit set to switch A.

Switch A sets port 1 to Forwarding, and switch B sets port 1 to Forwarding. PC 1 and PC 2 can talk to each other. The negotiation process now moves down to switch B port 3 and its partner port. PC 3 cannot talk to either PC 1 or PC 2 until the negotiation process between switch B and switch C is complete.

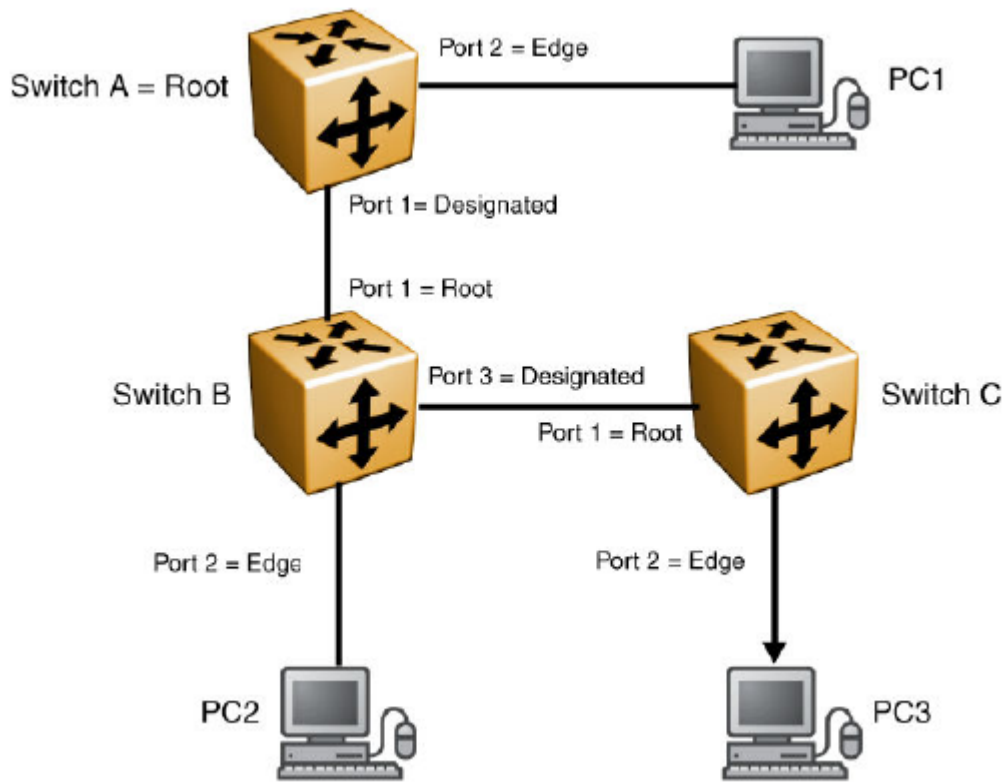


Figure 35: Negotiation process

The RSTP convergent time depends on how quickly the switch can exchange BPDUs during the negotiation process, and the number of switches in the network. The convergent time depends on the hardware platform and the number of active applications running on the switch.

STG Configuration Guidelines

This section provides important information about configuring STGs:

- You must create an STG by performing the following steps:
 - Create the STG.
 - Add the existing VLAN and port memberships.
 - Enable the STG.
- When you create a VLAN, that VLAN automatically belongs to STG 1, the default STG. If the VLAN is to be in another STG, move the VLAN by assigning it to another STG.
- You must move a newly created VLAN to an existing STG by performing the following steps:
 - Create the VLAN.

- Add the VLAN to an existing STG.
- You cannot move or delete VLAN1 from STG1.
- VLANs must be in a single STG; a VLAN cannot span multiple STGs. By confining VLANs within a single STG, you avoid problems with spanning tree blocking ports and loss of connectivity within the VLAN. When a VLAN spans multiple switches, the VLAN must be within the same spanning tree group (have the same STG ID) across all the switches.
- You cannot add a port that is a member of no VLAN to any STG. You must add the port to a VLAN, and add that VLAN to the desired STG.
- Tagged ports can belong to more than one STG, but untagged ports can belong to only one STG.
- When a tagged port belongs to more than one STG, the egress BPDUs are tagged to distinguish the BPDUs of one STG from those of another STG.
- Because some STP-compliant devices do not support tagging, you can configure whether to send tagged or untagged BPDUs, even from tagged ports. The VLAN ID for the tagged BPDUs is 4000+STG ID.
- The default VLAN ID for tagged BPDUs is as follows:
 - 4001--STG1
 - 4002--STG2
 - 4003--STG3
 - 4004--STG4
 - 4005--STG5
 - 4006--STG6
 - 4007--STG7
 - 4008--STG8
- You can select a VLAN ID for tagged BPDUs for each STG. Valid VLAN IDs are 1 to 4094.
- Tagged BPDUs cannot use the same VID as an active VLAN.
- An untagged port cannot span multiple STGs.
- When you remove a port from a VLAN that belongs to an STG, that port is also removed from the STG. However, if that port belongs to another VLAN in the same STG, the port remains in the STG.
- As an example, assume that port 1 belongs to VLAN1, and that VLAN1 belongs to STG1. When you remove port 1 from VLAN1, port 1 is also removed from STG1. However, if port 1 belongs to both VLAN1 and VLAN2 and both VLANs belong to STG1, removing port 1 from VLAN1 does not remove port 1 from STG1 because VLAN2 is still a member of STG1.
- You must disable an STG before you can delete it.
- You can configure a unique multicast address for STGs 1 to 4 only.

Chapter 6: ADAC Fundamentals

Autodetection and Autoconfiguration of IP phones

Ethernet Switch software supports Autodetection and Autoconfiguration (ADAC) of IP Phones. With ADAC, you can automatically configure the switch to support and prioritize IP phone traffic.

When ADAC is enabled and an IP phone is connected to the switch, the switch automatically configures the port and Quality of Service (QoS) settings necessary for the transmission of signal and voice between the IP phone and the switch.

ADAC can configure the switch whether the switch is directly connected to the Call Server (through the Call Server ports) or is indirectly connected to the Call Server using a network uplink (through the Uplink ports).

ADAC has three separate operating modes to meet the requirements of different networks:

- **Untagged-Frames-Basic:**

Use this mode when you want a basic configuration only and the IP phones are sending untagged traffic.

- **Untagged-Frames-Advanced:**

Use this mode when you want an advanced configuration and the IP phones are sending untagged traffic. In this mode, ADAC dynamically configures the Call Server or Uplink ports, as applicable, and all telephony ports. All tagging, PVID settings, and traffic prioritization are configured automatically.

- **Tagged Frames:**

Use this mode when you want an advanced configuration and the IP phones are sending tagged traffic. This mode provides the same configuration as the Untagged-Frames-Advanced mode, but with tagged frames. As with the Untagged-Frames-Advanced mode, ADAC dynamically configures the Call Server or Uplink ports, as applicable, and all telephony ports. While Traffic prioritization is configured automatically, tagging and PVID settings are user configurable.

ADAC operation

The following sections provide detailed explanations of ADAC operation.

Auto-detection of IP phones

When an IP phone is connected to a switch and is powered on, the switch automatically detects the IP phone, and then begins the auto-configuration of the IP phone. An ADAC lookup is also performed each time a MAC address is learned, migrated, or aged-out and removed.

When you enable auto-detection on a port, the port also becomes operationally enabled. Similarly, when you disable auto-detection on a port, the port is operationally disabled. A port can also be operationally disabled if the port maximum of 32 devices is reached. If the port limit is reached, a trap will be sent (if ADAC traps are enabled) and autoconfiguration will also be removed. To put the port back into the operational state, disable and then reenables auto-detection on the affected port. ADAC supports a maximum of 32 devices (both IP phones and non-phones) per port.

There are two ways to use ADAC to automatically detect IP phones. You can enable one or the other or both of these methods on a port-by-port basis, as long as at least one detection mechanism remains enabled. The detection mechanism can be selected in the following instances:

- before enabling auto-detection on the port
- if ADAC is globally disabled

The two methods of auto-detection are by MAC address or using LLDP (IEEE 802.1ab). Auto-detection by MAC address is based on using predefined MAC addresses to determine that the specified port is connected to an IP phone. For more information and the list of defined MAC address ranges, see [Auto-Detection by MAC address](#) on page 71.

Auto-detection by LLDP allows the system to detect IP phones with MAC addresses outside the list of default MAC address ranges as long as they can be identified as an IP phone by LLDP, regardless of their MAC addresses. For more information about auto-detection by LLDP, see [Auto-Detection by LLDP \(IEEE 802.1ab\)](#) on page 73.

You can enable either of these detection mechanisms or both on each individual port. At least one of these detection methods must be enabled on each port.

Auto-Detection by MAC address

When this feature is enabled on a port, the switch checks all MAC addresses of packets received on the port. If a received MAC address falls within the range of known IP phone MAC addresses, ADAC determines that the specified port is connected to an IP phone and initiates the required configuration. ADAC is supported for a maximum of 32 devices per port, but in most cases, there is only one IP phone and one PC on each port. The switch has a default range of MAC addresses configured to be recognized as IP phones by ADAC.

The following table lists the default MAC address ranges.

Table 5: Default ADAC MAC address ranges

Lower End	Higher End
00-0A-E4-01-10-20	00-0A-E4-01-23-A7
00-0A-E4-01-70-EC	00-0A-E4-01-84-73
00-0A-E4-01-A1-C8	00-0A-E4-01-AD-7F
00-0A-E4-01-DA-4E	00-0A-E4-01-ED-D5
00-0A-E4-02-1E-D4	00-0A-E4-02-32-5B
00-0A-E4-02-5D-22	00-0A-E4-02-70-A9
00-0A-E4-02-D8-AE	00-0A-E4-02-FF-BD
00-0A-E4-03-87-E4	00-0A-E4-03-89-0F
00-0A-E4-03-90-E0	00-0A-E4-03-B7-EF
00-0A-E4-04-1A-56	00-0A-E4-04-41-65
00-0A-E4-04-80-E8	00-0A-E4-04-A7-F7
00-0A-E4-04-D2-FC	00-0A-E4-05-48-2B
00-0A-E4-05-B7-DF	00-0A-E4-06-05-FE
00-0A-E4-06-55-EC	00-0A-E4-07-19-3B
00-0A-E4-08-0A-02	00-0A-E4-08-7F-31
00-0A-E4-08-B2-89	00-0A-E4-09-75-D8
00-0A-E4-09-BB-9D	00-0A-E4-09-CF-24
00-0A-E4-09-FC-2B	00-0A-E4-0A-71-5A
00-0A-E4-0A-9D-DA	00-0A-E4-0B-61-29
00-0A-E4-0B-BB-FC	00-0A-E4-0B-BC-0F
00-0A-E4-0B-D9-BE	00-0A-E4-0C-9D-0D
00-13-65-FE-F3-2C	00-13-65-FF-ED-2B
00-15-9B-FE-A4-66	00-15-9B-FF-24-B5
00-16-CA-00-00-00	00-16-CA-01-FF-FF
00-16-CA-F2-74-20	00-16-CA-F4-BE-0F
00-17-65-F6-94-C0	00-17-65-F7-38-CF
00-17-65-FD-00-00	00-17-65-FF-FF-FF
00-18-B0-33-90-00	00-18-B0-35-DF-FF
00-19-69-83-25-40	00-19-69-85-5F-FF

You can change these default MAC address ranges using CLI or EDM.

ADAC checks a MAC address against the supported ranges only when the MAC address is learned on the port. If you change the supported MAC address ranges, this has no effect on the previously learned MAC addresses. For example, if the address of a configured device is no longer in an ADAC range, the IP phone remains configured until its MAC address is aged out (by disconnecting the cable, for example) or until ADAC is disabled, either globally or on the port.

Similarly, if the MAC address of an IP Phone—a MAC address that's not recognized by ADAC—is learned on a port and then is later added to the supported ranges, the IP Phone is not detected or configured until the address is aged out or ADAC is disabled. The maximum number of ranges that ADAC supports is 128.

Auto-Detection by LLDP (IEEE 802.1ab)

Auto-detection by LLDP extends the auto-detection that relies on MAC addresses. This feature allows devices identified as IP phones through LLDP to be detected by ADAC even if their MAC addresses are outside the list of ADAC MAC address ranges.

LLDP-based auto-detection supports a maximum of 16 devices per port.

Detailed configuration example

The following commands provide a detailed configuration example.

- Default a device.
- Disable on port 5 MAC detection.

```
Switch(config)#in fa 5
Switch(config-if)#no adac detection mac
Switch(config-if)#sho adac detection interface 5
      MAC          LLDP
Port   Detection   Detection
----   -
5      Disabled    Enabled
```

- Enable ADAC on port 5 and globally.

```
Switch(config)#adac enable
Switch(config)#in fa 5
Switch(config-if)#adac enable
```

- Define the uplink port, the voice VLAN and set this voice VLAN into ADAC, and then change the operating mode to Untagged Frames Advanced.

```
Switch(config)#vlan create 200 type port voice-vlan
Switch(config)#adac voice-vlan 200
Switch(config)#adac uplink-port 10
Switch(config)#adac op-mode untagged-frames-advanced
```

- Verify that the preceding settings were applied.

```
Switch(config)#sho adac
      ADAC Global Configuration
-----
ADAC Admin State: Enabled
ADAC Oper State: Enabled
Operating Mode: Untagged Frames Advanced
Voice-VLAN ID: 200
```

```
Call Server Port: None
Uplink Port: 10
```

- Connect your phone on port 5, verify that it was detected, and the configuration was applied.

```
Switch(config-if)#sho adac in 5
      Auto      Oper      Auto
Port Type Detection State   Configuration T-F PVID T-F Tagging
-----
5     T       Enabled  Enabled Applied      No Change Untag PVID Only
```

Auto-Configuration of IP phones

The ADAC port participation can be set independently by enabling or disabling ADAC for particular ports.

When a new MAC address of an IP phone is learned on a port with ADAC enabled, ADAC immediately performs the auto-Configuration for that port (this operation is dependent on the configured ADAC operating mode and on whether other MAC addresses are learned on that port). This includes the required configuration of ports, VLANs, and QoS settings and involves minimal intervention by the user.

Auto-configuration is automatically removed or applied based on the port state, the state of the MAC addresses and the phones detected on the port. The ports are polled every two seconds for their auto-configuration state and to see whether or not auto-configuration should be applied based on the current ADAC settings, both the global setting and the port setting. Auto-configuration will be applied on the port when the port is operational (operational state is enabled) and if one of these conditions is true:

- Op-mode = Untagged-Frames-Basic or Untagged-Frames-Advanced, at least one IP phone is detected on the port, and no non-IP phones are detected on the port
- Op-mode = Tagged-Frames and at least one IP phone is detected on the port

Auto-configuration is removed if any of these conditions becomes true:

- auto-detect becomes disabled on the port
- the ports operational state becomes disabled
- Op-mode = Untagged-Frames-Basic or -Advanced, and at least one non-IP device is detected on the port
- there are no IP phones detected on the port and the link is down.

If the link is still up but there are no IP phones on the port, auto-configuration is disabled after an aging period of about 90 seconds.

If all MAC addresses belonging to IP phones on a port age out, the Auto-Configuration settings are removed from the port.

Initial user settings

Before enabling the ADAC feature, you must set the operating mode, according to how the IP Phones are configured to send frames: tagged or untagged.

When running ADAC in Untagged-Frames-Advanced or Tagged-Frames operating modes, you must also specify the following:

- the ID of the VLAN to be used for voice packets
- at least one of the following:
 - Call Server port, if it is connected directly to the switch
 - Uplink port, if used

Important:

You must ensure that you manually create the Voice VLAN prior to enabling its use with ADAC operation.

You must also ensure that voice traffic entering the Uplink port is tagged with the Voice VLAN ID. This configuration must be made on all switches on the path to the Call Server.

Port Restrictions

The following restrictions apply to the Call Server, Uplink, and Telephony ports.

Call Server ports must not be:

- a Monitor Port in port mirroring
- a Telephony port
- the Uplink port

Uplink ports must not be:

- a Monitor Port in port mirroring
- a Telephony port
- an EAP port
- the Call Server port

Telephony ports must not be:

- part of a trunk (MLT, LAG)
- a Monitor Port in port mirroring
- an IGMP static router port
- a Call Server port

- a Uplink port

Operating modes

ADAC can be configured to apply settings depending on how the IP Phones are configured to send traffic (tagged or untagged) and depending on the desired complexity level of the Autoconfiguration. The following sections provide detailed descriptions of the configurations that are applied in each ADAC operating mode.

- QoS Settings
- Untagged-Frames-Basic operating mode
- Untagged-Frames-Advanced operating mode
- Tagged-Frames operating mode

QoS Settings

ADAC QoS configuration is applied to:

- traffic coming from the IP Phones
- traffic coming from Call Server ports
- traffic coming from Uplink ports

Untagged-Frames-Basic operating mode

In the Untagged-Frames-Basic operating mode, the Call Server and Uplink ports are not used, and therefore QoS settings are applied only for traffic coming from the IP Phones. The VLAN configuration is minimal.

To properly configure the Untagged-Frames-Basic mode, you must perform the following:

- Configure the IP Phones to send untagged frames.
- Connect only IP Phones to a port. (You cannot connect a device that is not an IP Phone to the same port.)
- Ensure that the Filter Unregistered Frames option is set to disabled on the ADAC-enabled ports (or that the ports belong to at least one VLAN).

Untagged-Frames-Basic QoS configuration

In this operating mode, QoS settings are applied only for traffic coming from the IP Phones. The Call Server and Uplink ports are not used.

Autoconfiguration performs the following:

- creates an Unrestricted Interface with all Telephony ports (each time a new Telephony port is detected, it will be added to this interface)
- creates an IP Filter (all fields set to Ignore) and an IP Filter Group
- uses Premium Service (transmit frame, update DSCP to 0x2E, Drop Precedence to Loss Sensitive, Update Priority to 6)

DSCP to 0x2E is the default for ADAC.

- creates a policy containing the preceding functions

Untagged-Frames-Basic VLAN configuration

In the Untagged-Frames-Basic operating mode, Autoconfiguration also performs the following VLAN configuration:

- Tagging of Telephony ports is set to Untagged.

Untagged-Frames-Advanced operating mode

To properly configure the Untagged-Frames-Advanced operating mode, you must perform the following:

- Configure the IP Phones to send untagged frames.
- Connect only IP Phones to a port. (You cannot connect a device that is not an IP phone to the same port.)
- Ensure that Filter Unregistered Frames option is set to disabled on the ADAC-enabled ports (or that the ports belong to at least one VLAN).
- Specify the Voice-VLAN ID and either the Call Server port or the Uplink port, as applicable.
- If the switch is not directly connected to the Call Server, ensure that the telephony packets coming from the Call Server through the Uplink port are tagged with the Voice-VLAN ID.

Untagged-Frames-Advanced QoS configuration

In the Untagged-Frames-Advanced mode, Autoconfiguration performs the following QoS configuration for each port:

Table 6: Untagged-Frames-Advanced QoS configuration

For traffic coming from:	Autoconfiguration does the following:
Telephony ports	<ul style="list-style-type: none"> • creates an Unrestricted Interface with all Telephony ports (each time a new Telephony port is detected, it will be added to this interface) • creates an IP Filter (all fields set to Ignore) and an IP Filter Group • uses Premium Service (transmit frame, update DSCP to 0x2E, Drop Precedence to Loss Sensitive, Update Priority to 6) DSCP to 0x2E is the default for ADAC. • creates a policy containing the preceding functions
Call Server ports	<ul style="list-style-type: none"> • adds the Call Server port to the interface group created for Telephony ports
Uplink ports	<ul style="list-style-type: none"> • creates an Unrestricted Interface containing the Uplink port • creates a Layer 2 Filter, with EtherType IP, VLAN set to ID of the Voice-VLAN and Tagged (all other fields set to Ignore) • uses Premium Service • creates a policy containing the preceding functions

Untagged-Frames-Advanced VLAN configuration

In the Untagged-Frames-Advanced mode, Autoconfiguration also performs the following VLAN configurations:

Table 7: Untagged-Frames-Advanced VLAN configuration

Port type	Membership	Tagging	PVID
Telephony port	added to Voice-VLAN; removed from other VLANs (The port does not need to be a member of other VLANs)	Untagged	Voice-VLAN
Call Server port (if any)	added to Voice-VLAN; not removed from other VLANs	Untagged	Voice-VLAN
Uplink port (if any)	added to Voice-VLAN; not removed from other VLANs	Tagged	no change (All VLAN changes made by ADAC are as if VCC=flexible, so the Auto-PVID setting is ignored.)

Tagged-Frames operating mode

To properly configure the Tagged-Frames operating mode, you must perform the following:

- Configure the IP Phones to send tagged frames with the ID of the Voice-VLAN.
- Connect at least one IP phone to a telephony port. (In this mode, other devices can be connected to the same port; for example, when a PC is connected directly to the IP phone.)
- Ensure that the Filter Unregistered Frames option is set to disabled on the ADAC-enabled ports. (Otherwise, no source MAC address can be learned for incoming packets tagged with the Voice VLAN ID, meaning that no phone can be detected.)
- Specify the Voice-VLAN ID and either the Call Server port or the Uplink port, as applicable.
- If the switch is not directly connected to the Call Server, ensure that the telephony packets coming from the Call Server through the Uplink port are tagged with the Voice-VLAN ID.

Tagged-Frames QoS configuration

In the Tagged-Frames operating mode, Autoconfiguration performs the following QoS configuration:

Table 8: Tagged-Frames QoS configuration

For traffic coming from:	Autoconfiguration does the following:
Telephony ports	<ul style="list-style-type: none"> • creates an Unrestricted Interface (Call Server interface ID will be a member of this interface group) • creates an IP Filter (all fields set to Ignore) and an IP Filter Group • uses Premium Service • creates a policy containing all of the above

Table continues...

For traffic coming from:	Autoconfiguration does the following:
IP Phones and Uplink ports	<ul style="list-style-type: none"> • create an Unrestricted Interface containing all Telephony ports and Uplink ports • create a Layer 2 Filter, with EtherType IP, VLAN set to ID of the Voice-VLAN and Tagged (all other fields set to Ignore) • use Premium Service • create a policy containing all of the above

In this way, all traffic tagged with the Voice-VLAN ID is prioritized.

Tagged-Frames VLAN configuration

In the Tagged-Frames operating mode, Autoconfiguration also performs the following VLAN configurations:

Table 9: Tagged-Frames VLAN configuration

Port type	Membership	Tagging	PVID
Telephony port	added to Voice-VLAN; not removed from other VLANs	User- configurable (default is UntagPVIDOnly)	User-configurable ¹ (default value is Default VLAN [1])
Call Server ports (if any)	added to Voice-VLAN; not removed from other VLANs	Untagged	Voice-VLAN
Uplink ports (if any)	added to Voice-VLAN; not removed from other VLANs	Tagged	no change (All VLAN changes made by ADAC are as if VCC=flexible, so the Auto-PVID setting is ignored.)
¹ If the PVID is set to a VLAN which does not exist when ADAC is applied, the PVID is set to Default VLAN (1).			

Dynamic VLAN Autoconfiguration

Important:

Dynamic configurations are switch configurations that are not saved to NVRAM. Therefore, dynamic configurations are not restored following a switch reboot.

The following describes the details of the ADAC VLAN configuration:

- The Voice VLAN to be used by ADAC is created manually prior to configuration for ADAC.
- All ADAC ports membership to the ADAC Voice VLAN is dynamic.
- From the moment ADAC is enabled on a telephony port or Call Server port, all VLAN configuration is dynamic (including user configuration). After the ADAC configuration is removed from these ports, the pre-ADAC configuration from NVRAM is restored.

- For telephony ports, the NVRAM VLAN configuration is restored in two cases: after the ADAC configuration is removed due to the removal of the IP Phone, or after ADAC is disabled for that port.
- Any VLAN configuration that is made to an Uplink port is always saved to NVRAM (even when ADAC is enabled).
- The VLAN Configuration Control (VCC) rules, other than those for the Flexible mode, are skipped internally by ADAC when configuring VLANs. Any VLAN settings made automatically by ADAC follow the rules of the Flexible mode, regardless of the current value of VCC. Any settings that you manually make on ADAC ports follow the current VCC mode, similar to a non-ADAC port. Ensure to add ADAC ports only to the MSTI which is a member of Voice-VLAN. In the VCC Flexible mode, the port is added to Voice-VLAN without removing it from its initial VLAN and if these two VLANs are in different MSTIs, this operation is forbidden by VLAN.

ADAC and stacking

In a stack, the global ADAC settings on the base unit are applied across the stack, except for port settings (for Call Server ports, Uplink ports and Telephony ports).

The ADAC port states are taken from each unit. Therefore, a unit's ports have the same ADAC status in a stack as they do in stand-alone mode.

If two or more units each have configured Call Server ports in stand-alone mode and are then joined together in a stack, the Call Server ports with the lowest interface number in the stack are elected the stack Call Server ports, until all the Call Server ports are elected or until all the Call Server slots are used.

This same scenario also occurs for the Uplink port.

Lost Call Server Port or Uplink Port

The switch maintains ADAC operation if the designated call server or uplink ports become unreachable. This allows the switch to maintain any current communications between end devices located on the switch.

ADAC Uplink port as part of trunk

When a port that is a member of an already active MLT, DMLT, or LAG is selected as the ADAC Uplink port; then the entire trunk is set as the Uplink connection. This means that the ADAC configuration (VLAN and QoS) is applied for all the members of the trunk. ADAC does not interfere in the way traffic is forwarded in the trunk.

Uplink port as part of MLT in a stack

The Uplink port can be part of an MLT. If the unit containing the Uplink port in a stack is removed from the stack, the lowest port from the same MLT becomes the new Uplink port.

After rebooting a stack, each unit that has a port member belonging to the Uplink MLT is configured as an Uplink port on the unit. After joining stack, the lowest Uplink port is elected as the stack's Uplink port.

ADAC and LACP enabled on an Uplink port

To set an Uplink port as LACP-enabled, you must first configure and enable Link Aggregation Control Protocol (LACP) on the port, and then you can set the port as the Uplink port.

Due to the dynamic configuration of VLANs, you are not allowed to:

- enable LACP on a preconfigured Uplink port
- enable LACP on a port with the same admin key as the ADAC Uplink ports
- change the admin key of any member of the ADAC Uplink ports
- set the admin key for a LACP-enabled port to the same value as the Uplink port

When ADAC sets the configuration for the Uplink port, the VLAN and QoS configuration is applied for all LACP-enabled (active or passive) ports belonging to the same Link Aggregation Group (LAG) as the Uplink port.

Any changes to the LAG mode, from active to passive or from passive to active, have no effect on ADAC.

Disabling LACP on an Uplink port

When you disable the LAG, the Uplink configuration is removed for all trunk members, except for the original Uplink port.

After you remove the LAG, you cannot reenabling the configuration for the Uplink port. You must remove the Uplink, reconfigure the LAG, and then set the Uplink port again.

Uplink port as part of LACP in a stack

In a stack, LAGs containing the Uplink port operate similarly to MLTs containing the Uplink port.

If the unit containing the Uplink port in a stack is removed from the stack, the lowest port from the same LAG becomes the new Uplink port.

After rebooting a stack, each unit that has a port member belonging to the Uplink LAG is configured as an Uplink port on the unit. After joining the stack, the lowest Uplink port is elected as the stack Uplink port.

ADAC Uplink over SPBM

ADAC Uplink over SPBM adds support for SPBM in ADAC, allowing ADAC to have the uplink over SPBM instead of an uplink port.

With this feature, ADAC can use an I-SID (that you associate with the ADAC Voice-VLAN) instead of a classical uplink-port. In this situation, ADAC can be enabled without the existence of a real uplink-port, and without the need of auto-configuring this uplink-port, therefore without auto-adding it to the Voice-VLAN.

*** Note:**

You must correctly configure SPBM and the association between the I-SID and the ADAC Voice-VLAN to prevent a misconfiguration. Otherwise, the IP Phones are not able to reach the call-server device located on the other side of the SPBM cloud.

ADAC and EAP configuration

ADAC and Extensible Authentication Protocol (EAP) are mutually exclusive on the Call Server port and the Uplink port.

However, on telephony ports, you can enable both ADAC and EAP, provided the following conditions are met:

- The ports must be configured to allow non-EAP MAC addresses.
- Guest VLAN must not be allowed on the ports.

To enable ADAC on an EAP port, you must perform the following:

1. On the switch, globally enable support for non-EAP MAC addresses. (In CLI, use the `eap multihost adac-non-eap-enable` command.)
2. On each telephony port, enable support for non-EAP MAC addresses. (In CLI, use the `eap multihost port <port> allow-non-eap-enable` command.)
3. On each telephony port, enable EAP Multihost. (In CLI, use the `eap multihost port <port> enable` command.)
4. On the telephony ports, ensure that Guest VLAN is disabled. (In CLI, use the `show eap guest-vlan` command.)
5. On the switch, enable EAP globally. (In CLI, use the `eap enable` command.)
6. Configure and enable ADAC on the ports.

When you configure ADAC and EAP, the following restrictions apply:

1. EAP: While ADAC is enabled, cannot disable per-port EAP Multihost or EAP setting:
 - Cannot disable Multihost on port if EAP is enabled per port and ADAC Detection is enabled per port
 - Cannot enable EAP per port if Multihost is disabled per port and ADAC Detection is enabled per port
2. ADAC: The detection can be enabled (for example, set ADAC enable per port) only if:
 - EAP is disabled per port
 - or
 - EAP is enabled per port and Multihost is enabled per port

EAP does not change the VLAN configuration for ADAC-enabled ports. ADAC changes to the VLAN configuration take priority over EAP configurations.

ADAC User Restrictions

After ADAC is enabled, you cannot:

- erase the Voice-VLAN
- remove auto-configured ports from Voice-VLAN
- remove any QoS setting made by ADAC (auto-configured settings)
- use the filter groups created by ADAC when setting policies
- disable the policies created by ADAC
- modify Call Server and Uplink port configuration

You can:

- add/remove the non-ADAC ports to the Voice-VLAN (configuration is static)
- add/remove the ADAC ports to VLANs (configuration is static)
- change the tagging and PVID of all ADAC ports (except for the Uplink ports, configuration is dynamic)
- add interfaces to and remove interfaces from ADAC interface groups
- use the filters created by ADAC when setting filter groups. (This means that when disabling the feature or when changing operating mode, if the filter is used by filter groups other than the ADAC filter group, the filter is not deleted.)
- use the interface groups created by ADAC when setting policies. (This means that when disabling the feature or when changing operating mode, if the interface group is used by a policy other than the ADAC policy, the interface group is not deleted.)

Adding the Voice-VLAN to another STG

In Untagged-Frames-Advanced or Tagged-Frames modes, ADAC sets tagging for the Call Server port to UntaggedAll. However, STP configuration rules do not allow an untagged port to span multiple STGs. As a result, you cannot add the Voice-VLAN to an STG as long as the Call Server is a member of another VLAN that belongs to another STG.

To successfully add the Voice-VLAN to a different STG using the same Call Server port, you must first remove the Call Server port from all other VLANs.

Disabling ADAC

Disabling the ADAC feature means the deletion of all configurations (except as noted in [ADAC User Restrictions](#) on page 83), including the following:

- All ADAC-involved ports are removed from the Voice-VLAN.
- PVID is set to the Management VLAN ID. The Uplink port is not changed if it has a value other than the Voice-VLAN ID (that is, if you have explicitly changed it after Autoconfiguration).

ADAC management

For more details on network configurations required to support IP Phones, see *Data Networking for Voice over IP*, (553-3001-160).

Chapter 7: LACP and VLACP Fundamentals

This section provides conceptual information relating to Link Aggregation.

IEEE 802.3ad Link Aggregation

With IEEE 802.3ad-based link aggregation, you can aggregate one or more links to form Link Aggregation Groups (LAG) so that a MAC client can treat the Link Aggregation Group as if it were a single link. Link aggregation increases the aggregate throughput of the interconnection between the devices while providing link redundancy.

Although IEEE 802.3ad-based link aggregation and MultiLink Trunking (MLT) features provide similar services, MLT is statically defined, whereas IEEE 802.3ad-based link aggregation is dynamic and provides additional functionality.

With Link Aggregation Control Protocol (LACP), as defined by the IEEE 802.3ad standard, a switch can learn the presence and capabilities of a remote switch by exchanging information with the remote switch before a trunk group is formed. Either switch can accept or reject the aggregation request with the far end for each port. A link that cannot join a trunk group operates as an individual link.

The main purpose of LACP is to manage switch ports and their port memberships to link aggregation trunk groups (LAGs). LACP can dynamically add or remove LAG ports, depending on their availability and states. By default, Link Aggregation is disabled on all ports.

Link aggregation employs the following principles and concepts:

- A MAC client communicates with a set of ports through an Aggregator, which presents a standard IEEE 802.3 service interface to the MAC client. The Aggregator binds to one or more ports within a system.
- The Aggregator distributes frame transmissions from the MAC client to the various ports. The Aggregator also collects received frames from the ports and transparently passes them to the MAC client.
- A system can contain multiple Aggregators that serve multiple MAC clients. A given port binds to (at most) a single Aggregator at any time. At any one time, only one Aggregator serves a MAC client.
- The binding of ports to Aggregators within a system is managed by the Link Aggregation Control feature. The Link Aggregation Control feature determines which links can be aggregated, aggregates them, binds the ports within the system to an appropriate Aggregator, and monitors conditions to determine when a change in aggregation is needed.

The network manager can control the determination and binding directly by manipulating the state variables of Link Aggregation (for example, Keys). In addition, automatic determination, configuration, binding, and monitoring can occur by using a Link Aggregation Control Protocol (LACP).

The LACP uses peer exchanges across the links to determine, on an ongoing basis, the aggregation capability of the various links, and to continuously provide the maximum level of aggregation between a pair of systems.

- Each port has a unique, globally administered MAC address.

The MAC address is the source address for frame exchanges that entities within the Link Aggregation sublayer itself (for example, LACP and Marker protocol exchanges) initiate.

- The MAC address of the Aggregator can be one of the MAC addresses of a port in the associated Link Aggregation Group.

Link aggregation rules

The link aggregation groups operate under the following rules:

- Link aggregation groups are formed using LACP.
- All ports in a link aggregation group must connect to the same far-end system.
- All ports in a link aggregation group must operate in full-duplex mode.
- You must configure all ports in a link aggregation group to the same port speed.
- All ports in a link aggregation group must be in the same VLANs.
- In stack mode, ports in a link aggregation group can be on different units to form a distributed LAG (DLAG).
- LACPDUs are transmitted and received on all ports in the link aggregation group.
- Link aggregation is compatible with the Spanning Tree Protocol (STP).
- Link aggregation groups must be in the same STP groups.
- STP BPDUs are transmitted and received only on the first link in the group.
- A maximum of 32 link aggregation groups are supported.
- A maximum of 8 active links are supported per LAG.
- Unlimited standby links are supported for each LAG (for example, if a switch or stack has one LAG, you can configure all non active LAG link ports as standby ports for that LAG).
- The MLT/LAG is a logical port. The STP protocol is computing the topology using this logical port, not on individual MLT/LAG member ports. The logical port is represented by the first MLT/LAG port. The STP events related to MLT/LAG are logged using the first MLT/LAG port.

The maximum number of LAGs is 32, and the maximum number of active links for each group is 8. With Link Aggregation, you can configure more than 8 links in one LAG. The first eight high-priority links are active links, and together, they form a trunk group. The ninth low-priority link remains in standby mode. When an active links goes down, the standby link becomes active and is added to

the trunk group. For more information, see [LACP and VLACP configuration using CLI](#) on page 174 and [LACP and VLACP configuration using Enterprise Device Manager](#) on page 294.

The failover process is as follows:

- The down link is removed from the trunk group.
- The highest priority standby link is added to the trunk group.

A temporary delay in traffic flow can occur due to links switching. If the active link goes down and no standby link exists, the traffic is rerouted to the remaining active links with a minimal delay in time.

! **Important:**

When using LACP on the Edge side of an SMLT setup, you must use LACP port mode advance to prevent loops. LACP port-mode advance allows an LACP enabled port with STP disabled to remain in a blocking state if the port is removed from the Link Aggregation Group (LAG) for various reasons (the partner link fails, the port is connected to a non-LACP partner port).

Static LACP Key to Trunk ID binding

Static LACP Key to Trunk ID binding provides a higher level of control over the management of MLT trunk groups, compared with previous dynamic association of link-aggregated ports with a trunk group.

With dynamic association, when you configure a group of link-aggregated ports (LAG), you have no control choosing which particular trunk is associated with the LAG. The trunk association with an aggregator depends on the state of the system. The LAG is automatically associated with the trunk group with the greatest ID, from the available trunks. After system state changes, as turning off/on the ports lacp mode or rebooting the switch, this association can be made differently, resulting in undesired effects for the trunk group and LACP ports.

For example, if you configure two LACP trunks, the MLT IDs are assigned to each trunk in the order of trunk creation. When the switch is rebooted, the order in which each LAG receives a trunk may invert. Settings kept strictly on a trunk group basis, as STP learning, are linked only with that specific trunk group, regardless of it being configured as a Dynamic LACP or a static MLT. If LACP ports aggregate in a different trunk group than the trunk group with the appropriate STP learning, traffic flooding may occur.

With Static LACP Key to Trunk ID binding, you associate a specific group of link-aggregated ports with a specific MLT trunk group. The static binding ensures that the switch maintains the LACP Key - MLT ID association until you delete the binding

*** Note:**

You should use Static LACP Key to Trunk ID binding instead of dynamic trunk group assignation for LACP ports.

Static LACP key to trunk ID binding is enabled by default on the switch. When configured, Static LACP key - MLT ID binding overrides the dynamic association. If no binding settings are made, the dynamic behavior applies.

To configure static LACP key to trunk id binding, follow these generic steps:

- Bind each LACP key to be used to the required MLT ID.
- Assign LACP keys to the ports to be used. If no key is specified, all ports have the default value of 1.
- Configure LACP mode for the used ports. The LACP mode of the links must be either active or passive. If the chosen mode is passive, the mode of the partner at the other end of the links must be active in order for the LACP ports to aggregate in the same LAG.
- Enable LACP aggregation on the ports.

If the LACP ports having assigned a key cannot be all assigned to the same aggregator (because of different settings, such as port speed), only one of the aggregators will occupy the specified trunk group. The other LAGs are dynamically bound to other MLT trunks.

If the user specifies an MLT trunk ID for a key set on ports already associated with an up-and-running LACP trunk, the aggregator frees the previously used trunk and uses the newly specified one. Reciprocally, if the user deletes a key binding with an LACP trunk, the aggregator frees this LACP trunk and is dynamically assigned a new MLT trunk.

Note:

Because the maximum number of key to trunk ID associations is bound to the maximum number of MLT trunks that can be configured on the device, you can assign trunk IDs between 1 and 32.

If an MLT ID is bound to a key, its corresponding trunk entry cannot be used anymore for configuring other MLT/LACP trunks. Binding multiple different keys to different trunks may easily lead to the use of all available MLT IDs. If all available MLT IDs are used, the configuration of a new LACP trunk is not possible, even if all the other required conditions for trunk formation are accomplished. To fix this problem, a trunk ID must be freed. You can use the `show lacp key` and `show mlt` commands to check the LACP key bindings.

Usually, any problems caused by the limited number of MLT IDs can be avoided if the bindings are made carefully and kept track of.

VLACP

Many enterprise networks require that trunk links provide subsecond failover to the redundant link when a failure occurs at the local or remote endpoint. This requirement can be met when both ends of the link are informed of any loss of communication.

Virtual Link Aggregation Control Protocol (VLACP), an LACP extension, is a Layer 2 handshaking protocol that provides end-to-end failure detection between two physical Ethernet interfaces. It allows the switch to detect unidirectional or bidirectional link failures.

Virtual LACP (VLACP) overview

While Ethernet is extended to detect remote link failures through functions such as Remote Fault Indication and Far End Fault Indication mechanisms, a limitation of these functions is that they terminate at the next Ethernet hop. Therefore, failures cannot be determined on an end-to-end basis.

[Figure 36: Problem description \(1 of 2\)](#) on page 89 and [Figure 37: Problem description \(2 of 2\)](#) on page 90 provides illustration of these limitations. While the Enterprise networks shown can connect their aggregated Ethernet trunk groups through a service provider network connection (for example, through a VPN), far-end failures cannot be signaled with Ethernet-based functions that operate end-to-end through the service provider cloud.

In the following figure, the MLT (between Enterprise switches S1 and S2) extends through the service provider (SP) network.

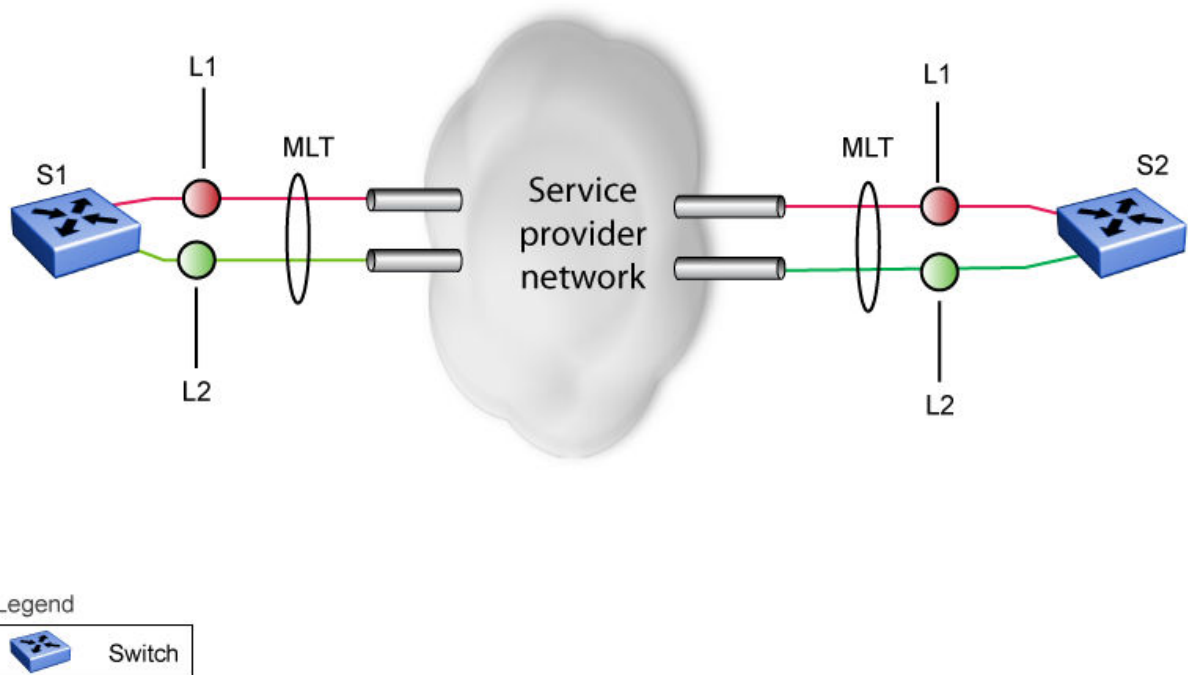


Figure 36: Problem description (1 of 2)

As shown in [Figure 37: Problem description \(2 of 2\)](#) on page 90, if the L2 link on S1 (S1/L2) fails, the link-down failure is not propagated over the SP network to S2. Thus, S2 continues to send traffic over the S2/L2 link, which is black-holed because the S1/L2 link has failed.

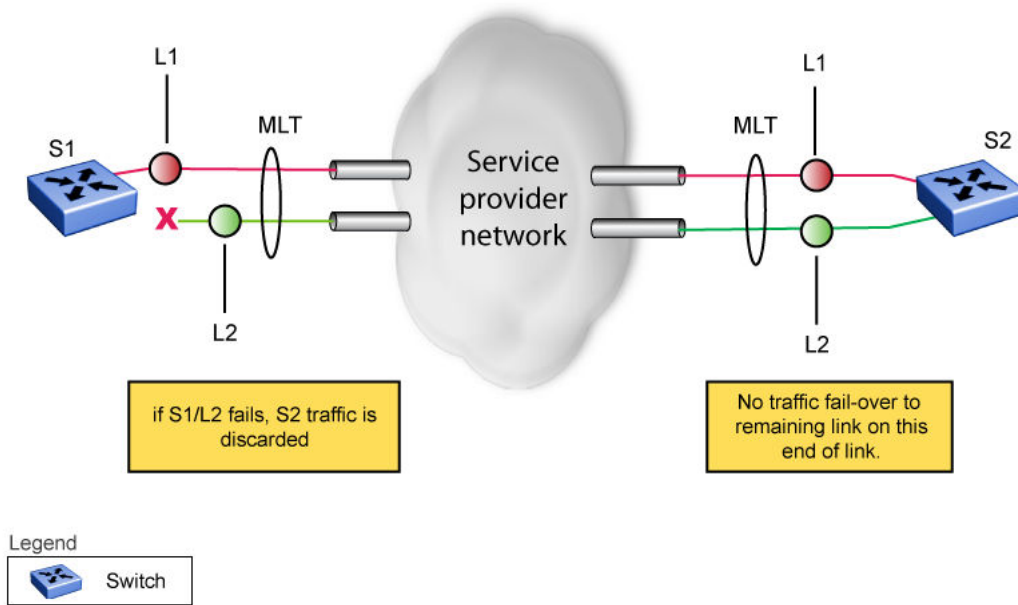


Figure 37: Problem description (2 of 2)

Note that LACP, as defined by IEEE, is a protocol that exists between two bridge endpoints; therefore, the LACPDUs are terminated at the next (SP) interface.

Virtual LACP (VLACP) is an extension to LACP. This extension can provide an end-to-end failure detection mechanism. With VLACP, far-end failures can be detected allowing an MLT to fail over properly when end-to-end connectivity is not guaranteed for certain links in an aggregation group. VLACP prevents the failure scenario shown in preceding figure.

With the addition to the software of two VLACP Protocol Data Unit (PDU) subtypes, DOWN and HOLD, unidirectional communication outage is improved when using VLACP. For example:

- When a VLACP partner stops receiving PDUs from the other end (often due to certain types of unidirectional communication failures) the partner transmits a VLACP PDU that contains the DOWN subtype. The DOWN subtype informs the other end that the partner is no longer receiving VLACP PDUs and has declared the link down. The partner declares the link down and maintains this state until it receives a TXOK message.
- When ports are being initialised, if a port immediately transitions to active, in some cases the switch can temporarily forward traffic to a black hole. With the VLACP HOLD enhancement, a core switch running SMLT can transmit a VLACP PDU with the HOLD subtype when ports are not ready to forward traffic. The VLACP PDU HOLD subtype informs the partner that even though the link is up, the partner should not use the link until it receives an appropriate VLACP TXOK message.

VLACP features

This section provides a summary of some of the key features of VLACP:

- VLACP is configured per port. A port can be an individual port or a member of an MLT.
- When you set VLACP parameters for a trunk port, the settings are applied to all trunk members.
- For VLACP to operate properly, there must be a logical point-to-point connection (Layer 2 tunnel) between the two endpoints.
- VLACP does not work for point-to-multipoint connections.
- On each port that has VLACP enabled, VLACPDUs are sent periodically. If VLACPDUs are not received on a particular link, that link is taken down after a configurable timeout period.
- VLACP is supported on Ethernet interfaces only.
- VLACP can run independently as a port-to-port protocol or on top of MLT or LACP protocol.
- VLACP packets are untagged because they operate at the port level and not the VLAN level.
- The Destination Mac Address used in VLACPDUs is configurable. The MAC Address must be a multicast MAC Address so that it is always flooded. This allows the exchange of VLACPDUs from end to end.

You should set VLACP enabled ports with the following values to provide a higher resiliency.

- the timeout scale to five
- the timeout type to short
- the fast periodic time to 500ms

When you set the timeout scale to lower values in heavily loaded networks, it causes undesired behavior for VLACP enabled ports.

Troubleshooting

Error logs are created for the following failures and errors:

- An incorrect PDU, such as wrong destination MAC addresses received
- An inability to enable VLACP on a port due to unallowable Destination MAC addresses
- A port index that is out of range
- A port was blocked by VLACP (a log message is also generated when the port is unblocked)

Chapter 8: VLAN Configuration using CLI

The CLI commands described in this section help you to create and manage VLANs. Depending on the VLAN type, the command mode needed to execute these commands can differ.

Displaying VLAN information

Use the following procedure to display the number, name, type, protocol, user PID, state of a VLAN and whether it is a management VLAN.

Procedure

1. Enter Privileged EXEC mode:

```
enable
```

2. Display VLAN information:

```
show vlan {[configcontrol] [dhcp-relay <LINE>] [dynamic] [i-sid <1-4094>] [id <LINE>] [igmp <LINE>] [interface {info[<LINE>] | vids [<LINE>] | verbose [<LINE>]}]{ip [id <LINE> | summary] [mgmt] [private-vlan <LINE>] [multicast membership <1-4094>] [remote-span] [summary] [type {port | private-vlan | protocol-decEther2 | protocol-decOtherEther2| protocol-ipEther2 | protocol-ipv6Ether2 | protocol-ipx802.2 | protocol-ipx802.3 | protocol-ipxEther2 | protocol-ipxSnap | protocol-Netbios | protocol-RarpEther2 |protocol-sna802.2 | protocol snaEther2 | protocol-Userdef [all|ether|llc|snap]|protocol-vinesEther2 | protocol-xnsEther2 | spbm-bvlan |spbm-switchedUni}] [voice-vlan]
```

Variable Definitions

Use the data in the following table to use the `show vlan` command.

Variable	Value
configcontrol	Displays the VLAN control mode.

Table continues...

Variable	Value
dhcp_relay <LINE>	Displays the DHCP relay information for one or more VLANs. You can enter a single VLAN ID or a list of VLAN IDs. VLAN ID values range from 1 to 4094.
dynamic	Display Dynamic VLANs.
i-sid <1-4094>	Displays the C-VLAN to I-SID association for one or more VLANs. You can enter a single VLAN ID or a list of VLAN IDs. VLAN ID values range from 1 to 4094.
id <LINE>	Displays information for one or more VLANs. You can enter a single VLAN ID or a list of VLAN IDs. VLAN ID values range from 1 to 4094.
igmp <LINE>	Displays IGMP-based information for one or more VLANs. <ul style="list-style-type: none"> • <LINE>—Displays IGMP information for one or more VLANs. You can enter a single VLAN ID or a list of VLAN IDs.
interface {info [<LINE>] vids [<LINE>] verbose [<LINE>]}	Displays the specific VLAN configuration information for interfaces: <ul style="list-style-type: none"> • info—Displays the VLAN configuration information for one or more ports. If you do not specify a port or list of ports, the switch displays information for all ports. • vids—Displays VLAN membership information for ports. If you do not specify a port or list of ports, the switch displays information for all ports. • verbose—Displays both VLAN configuration and membership information for ports. If you do not specify a port or list of ports, the switch displays information for all ports.
ip [id <LINE> summary]	Displays IP information for one or more VLANs.
mgmt	Displays the management VLAN ID.
private-vlan <LINE>	Displays private VLAN information.
multicast membership	Displays VLAN multicast membership information.
remote-span	Displays the RSPAN status for the VLAN.
summary	Displays a VLAN configuration summary.
type	Displays VLAN types. <ul style="list-style-type: none"> • port — Displays port-based VLANs. • private-vlan — Displays private VLANs. • protocol-decEther2— Displays decEther2 protocol-based VLANs. • protocol-decOtherEther2— Displays decOtherEther2 protocol-based VLANs. • protocol-ipEther2— Displays ipEther2 protocol-based VLANs.

Table continues...

Variable	Value
	<ul style="list-style-type: none"> • protocol-ipv6Ether2— Displays ipv6Ether2 protocol-based VLANs. • protocol-ipx802.2 — Displays ipx802.2 protocol-based VLANs. • protocol-ipx802.3— Displays ipx802.3 protocol-based VLANs • protocol-ipxEther2— Displays ipxEther2 protocol-based VLANs. • protocol-ipxSnap— Displays ipxSnap protocol-based VLANs. • protocol-Netbios— Displays NetBIOS protocol-based VLANs. • protocol-RarpEther2— Displays RarpEther2 protocol-based VLANs. • protocol-sna802.2— Displays sna802.2 VLANs. • protocol-snaEther2— Displays snaEther2 protocol-based VLANs. • protocol-Userdef — Displays user-defined protocol-based VLANs. • protocol-vinesEther2— Displays vinesEther2 protocol-based VLANs. • protocol-xnsEther2— Displays xnsEther2 protocol-based VLANs. • spbm-bvlan — Displays SPBM B-VLANs. • spbm-switchedUni — Displays SPBM switched UNI VLANs.
voice-vlan	Displays voice VLAN information.

Displaying VLAN interface information

Use the following procedure to display VLAN settings associated with a port, including tagging information, PVID number, priority, and filtering information for tagged, untagged, and unregistered frames.

Procedure

1. Enter Privileged EXEC mode:

```
enable
```
2. Display VLAN settings associated with a port:

```
show vlan interface info [<portlist>]
```

Example

```
Switch>enable
Switch#show vlan interface info 10-12
      Filter      Filter
      Untagged  Unregistered
Port  Frames      Frames      PVID  PRI      Tagging      Name
-----
10   No           Yes         1     0     UntagAll     Port 10
11   No           Yes         1     0     UntagAll     Port 11
12   No           Yes         1     0     UntagAll     Port 12
```

Displaying verbose VLAN interface information

Use the following procedure to display VLAN, PVID, and port information associated with a port.

Procedure

1. Enter Privileged EXEC mode:

```
enable
```

2. Use the following command to display verbose VLAN information:

```
show vlan interface verbose <LINE>
```

- where <LINE> is the list of ports for which you are setting the maximum number of clients. You can enter a single port, a range of ports, several ranges, or all ports.

Example

```
Switch>enable
Switch#show vlan interface verbose 1
      Filter Filter
      Untag. Unreg.
Port  Frames  Frames  PVID  VLAN  VLAN Name      PRI  Tagging      Port Name
-----
1     No       Yes     1     1     VLAN #1        0    UntagAll     Port 1
```

Displaying port membership in VLANs

Use the following procedure to display port membership in VLANs.

Procedure

1. Enter Privileged EXEC mode:

```
enable
```

2. Display port membership in VLANs:

```
show vlan interface vids [<portlist>]
```

- where <portlist> is the list of ports for which you are displaying port membership. You can enter a single port, a range of ports, several ranges, or all ports.

Displaying the management VLAN

Use the following procedure to display the management VLAN.

Procedure

1. Enter Privileged EXEC mode:

```
enable
```

2. Display the management VLAN:

```
show vlan mgmt
```

Displaying Voice VLAN information

Use the following procedure to display voice VLAN information.

Procedure

1. Enter Privileged EXEC mode:

```
enable
```

2. Display voice VLAN information:

```
show vlan voice-vlan
```

Configuring the management VLAN

Use the following procedure to configure the management VLAN.

Procedure

1. Enter Global Configuration mode:

```
enable
```

```
configure terminal
```

2. Configure the management VLAN:


```
vlan mgmt <1-4094>
```

Example

```
Switch(config)#vlan create 2 type port
Switch(config)#vlan mgmt 2
Switch(config)#
```

Variable Definitions

Use the data in the following table to use the `vlan mgmt` command.

Variable	Value
<1-4094>	Specifies the VLAN to be used as the management VLAN.

Deleting the management VLAN IP address

Use the following procedure to delete the management VLAN IP address.

Procedure

1. Enter Global Configuration mode:


```
enable
configure terminal
```
2. Delete the management VLAN IP address:


```
default ip address
```

Resetting the management VLAN

Use the following procedure to reset the management VLAN.

Procedure

1. Enter Global Configuration mode:


```
enable
configure terminal
```
2. Reset the management VLAN:


```
default vlan mgmt
```

Creating VLANs

Use the following procedure to create an individual VLAN or a range of VLANs. Optionally, you can choose to assign the VLAN a name.

For creating Private-VLAN, see [Creating a Private VLAN](#) on page 101.

Procedure

1. Enter Global Configuration mode:

```
enable
configure terminal
```

2. Create a VLAN:

```
vlan create <VID_list> [name <LINE>] type { port [<1-8> | cist |
msti <1-7>] { voice-vlan | remote-span } } | private-vlan {secondary
(2-4094) [<1-8> | cist | msti <1-7>]} | protocol decEther2 |
protocol-decOtherEther2 | protocol-ipEther2 | protocol-ipv6Ether2 |
protocol-ipx802.2 | protocol-ipx802.3 | protocol-ipxEther2 |
protocol-ipxSnap | protocol-Netbios | protocol-RarpEther2 |
protocol-sna802.2 | protocol-snaEther2 | protocol-vinesEther2 |
protocol-xnsEther2 | protocol-Userdef {ether <4096-65534> | llc
<1-65534> | snap <1-65534>} | voice-vlan | spbm-bvlan | spbm-
switchedUni [<1-8>|cist|msti<1-7>]} | [voice-vlan]
```

*** Note:**

If you tag protocol VLAN client ports, the system cannot assign frames to the protocol VLAN, regardless of the defined ethertype. Frames are not assigned to the protocol VLAN because untagged packets will be assigned to the VLAN identified by the port PVID.

*** Note:**

You can configure userdef protocol-based VLANs using decOtherEther2 PIDs. You can have either decOtherEther2 protocol-based VLANs or userdef protocol-based VLANs configured with decOtherEther2 PIDs, but not both.

Example

The following is an example of creating a protocol-based VLAN:

```
Switch(config)#vlan create 200 type protocol-decEther2
```

The following is an example of creating and naming a voice-VLAN:

```
Switch(config)#vlan create 300 name my_vlan type port voice-vlan
```

The following is an example of renaming an existing VLAN:

```
Switch(config)#vlan name 300 my_vlan2
```

The following is an example of creating a VLAN using a user-defined protocol and specifying the frame encapsulation header type:

```
Switch(config)#vlan create 500 type protocol-userdef ether 6004
```

The following is an example of creating an SPBM-BVLAN:

```
Switch(config)#vlan create 600 type spbm-bvlan
```

The following is an example of creating an RSPAN VLAN:

```
Switch(config)#vlan create 700 type port remote-span
```

The following is an example of displaying a range of VLANs:

```
Switch(config)#show vlan id 100,107,109-113,115,200,300,500,600,700
Id      Name                Type      Protocol      PID      Active  IVL/SVL  Mgmt
-----
100     VLAN #100           Port      None          0x0000   Yes     IVL      No
      Port Members: NONE
107     VLAN #107           Port      None          0x0000   Yes     IVL      No
      Port Members: NONE
109     VLAN #109           Port      None          0x0000   Yes     IVL      No
      Port Members: NONE
110     VLAN #110           Port      None          0x0000   Yes     IVL      No
      Port Members: NONE
111     VLAN #111           Port      None          0x0000   Yes     IVL      No
      Port Members: NONE
112     VLAN #112           Port      None          0x0000   Yes     IVL      No
      Port Members: NONE
113     VLAN #113           Port      None          0x0000   Yes     IVL      No
      Port Members: NONE
115     VLAN #115           Port      None          0x0000   Yes     IVL      No
      Port Members: NONE
200     VLAN #200           Protocol  Declat Ether2  0x6004   Yes     IVL      No
      Port Members: NONE
300     my_vlan2            Voice     None          0x0000   Yes     IVL      No
      Port Members: NONE
500     VLAN #500           Protocol  Ether2 User-Def.  0x1774   Yes     IVL      No
      Port Members: NONE
600     VLAN #600           B-VLAN   None          0x0000   Yes     IVL      No
      Port Members: NONE
700     VLAN #700           Port      None          0x0000   Yes     IVL      No
      Port Members: NONE
Total VLANs: 13
```

Variable Definitions


Variable	Value
<VID_list>	<p>Enter as an individual VLAN ID to create a single VLAN or enter as a range of VLAN IDs to create multiple VLANs simultaneously. A VLAN ID can range from 1 to 4094.</p> <p> Note: VLAN ID values 4001 through 4008 are reserved and cannot be used.</p>

Table continues...

Variable	Value
name <line>	Specifies a unique alphanumeric name (up to 16 characters) for an individual VLAN. * Note: Do not enter a value for this parameter when you are creating multiple VLANs simultaneously.
type	Enter the type of VLAN to create: • port — 1 to 8 • cist • msti — 1 to 7
remote-span	Specify as RSPAN VLAN.
protocol-decEther2	Specify a decEther2 protocol-based VLAN.
protocol-decOtherEther2	Specify a decOtherEther2 protocol-based VLAN.
protocol-ipEther2	Specify an ipEther2 protocol-based VLAN.
protocol-ipv6Ether2	Specify an ipv6Ether2 protocol-based VLAN.
protocol-ipv802.2	Specify an ipv802.2 protocol-based VLAN.
protocol-ipv802.3	Specify an ipv802.3 protocol-based VLAN.
protocol-ipxEther2	Specify an ipxEther2 protocol-based VLAN.
protocol-ipxSnap	Specify an ipxSnap protocol-based VLAN.
protocol-Netbios	Specify a NetBIOS protocol-based VLAN.
protocol-RarpEther2	Specify a RarpEther2 protocol-based VLAN.
protocol-sna802.2	Specify an sna802.2 protocol-based VLAN.
protocol-snaEther2	Specify an snaEther2 protocol-based VLAN.
protocol-Userdef	Specify a user-defined protocol-based VLAN. Enter • <4094 - 65534 > {<1-8> voice-vlan} - Ethernet II Userdef VLAN with this Protocol ID, where <1-8> is Spanning Tree Group ID • ether <4096 - 65534> -Ethernet II Userdef VLAN with this Protocol ID • llc <1-65534> -LLC Userdef VLAN with this Protocol ID • snap <1-65534> - SNAP Userdef VLAN with this Protocol ID
protocol-xnsEther2	Specify an xnsEther2 protocol-based VLAN.
protocol-vinesEther2	Specify a vinesEther2 protocol-based VLAN.
<1-8>	Specifies the Spanning Tree Group ID.
spbm-bvlan	Specify as SPBM B-VLAN.

Table continues...

Variable	Value
spbm-switchedUni	Specify as SPBM switched UNI.
voice-vlan	Specify as Voice VLAN.

Creating a Private VLAN

About this task

You can create a Private VLAN and set the port type. The primary and secondary VLAN IDs are associated with the same MSTI or STP group, depending on the STP mode. The secondary VLAN inherits the primary VLAN configuration. You cannot create another VLAN with the same VLAN ID as the secondary VLAN. The secondary VLAN cannot be used by any other VLAN.

Procedure

1. Enter Global Configuration mode:

```
enable
configure terminal
```

2. Create a Private VLAN:

```
[no] [default] vlan create <2-4094> type <private-vlan> secondary
<2-4094> [<1-8> | cist | msti <1-7>]
```

3. Specify a name for the VLAN:

```
vlan name <2-4094> <VLAN_name>
```

4. Set the port type:

```
[no] [default] vlan ports <portlist> private-vlan {isolated |
promiscuous | trunk}
```

5. Add ports to the primary VLAN:

```
vlan members add <vlan id> <port id>
```

Example

```
Switch> enable
Switch# configure terminal
Switch(config)# vlan create 2 type private-vlan secondary 10
Switch(config)# vlan ports 4 private-vlan promiscuous
Remove all non private VLANs from this interface (y/n)
Switch(config)# vlan members add 2 4
Switch(config)# show vlan interface private-vlan
Filter Filter
```

Port	Untag. Frames	Unreg. Frames	PVID	PRI	Tagging	Primary VLAN	Secondary VLAN	Private VLAN Port Type
4	No	Yes	1	0	UntagAll	2	10	Promiscuous

Variable definitions

Use the data in the following table to use the `vlan create` command.

Table 10: Variable definitions

Variable	Value
<1-4094>	Specifies the VLAN ID in the range of 1 to 4094. VLAN ID 1 is the default VLAN and you cannot create or delete VLAN ID 1.
name	Specifies the VLAN name in the range of 0 to 64 characters. The name attribute is optional.
primary VLAN ID	Specifies the primary VLAN ID in the range of 1 to 4094. VLAN ID 1 is the default VLAN and you cannot create or delete VLAN ID 1.
secondary VLAN ID	Specifies the secondary VLAN ID in the range of 1 to 4094. VLAN ID 1 is the default VLAN and you cannot create or delete VLAN ID 1.
<1-8>	Specifies the Spanning Tree group in the range of 1 to 8 in STPG mode. STG ID 1 is the default for STPG mode.
cist	Specifies the common and internal spanning tree (CIST).
msti <1-7>	Specifies the Spanning Tree group. Value from 1 to 7 specifies the filter on MSTP instance.

Use the data in the following table to use the `vlan ports private-vlan` command.

Table 11: Variable definitions

Variable	Value
{isolated promiscuous trunk}	Specifies the port type. There is no default port type. <ul style="list-style-type: none"> • Isolated: An Isolated port can belong only to one private VLAN • Promiscuous: A Promiscuous port can belong to many private VLANs • Trunk: A Trunk port can belong to many private VLANs, is tagged, and can also belong to non-private VLANs

Table continues...

Variable	Value
no vlan ports private-vlan	Defaults the port type.
default vlan ports private-vlan	Defaults the port type.
<portlist>	Specifies a port or a list of ports for which to set the port type.

*** Note:**

If there are other non-private VLANs using the defined port, the following message is displayed:
 Remove all non private VLANs from this interface (y/n) ?

Use the data in the following table to use the `vlan members add` commands.

Table 12: Variable definitions

Variable	Value
<2-4094>	Specifies the VLAN ID in the range of 2 to 4094. VLAN ID 1 is the default VLAN and you cannot create or delete VLAN ID 1.

Viewing private VLAN information

About this task

You can view the primary and secondary VLANs, and I-SIDs, Also, you can view the Private VLAN port types.

Procedure

1. Enter Privileged EXEC mode:

```
enable
```
2. View Private VLAN information:

```
show vlan private-vlan [<2-4094>]
```
3. View Private VLAN port information:

```
show vlan interface private-vlan
```

Example

View VLAN information for Private VLAN:

```
Switch# show vlan private-vlan
Switch#show vlan private-vlan 2
Primary VLAN Primary I-SID Secondary VLAN Secondary I-SID
-----
100                150                101                150
```

```
200 - 201 -
Total private VLANs: 2
```

View Private VLAN port information:

```
Switch#show vlan interface private-vlan
      Filter Filter
Unit/  Untag.  Unreg.
Port  Frames  Frames  PVID  PRI   Tagging      Primary  Secondary  Private VLAN
-----  -----  -----  ----  ---  -----  -----  -----  -----
1      No      Yes     100   0    UnTagAll     100     101     Isolated
-----  -----  -----  ----  ---  -----  -----  -----  -----
5      No      Yes     100   0    TagAll       100     101     Trunk
                    200     201
-----  -----  -----  ----  ---  -----  -----  -----  -----
24     No      Yes     200   0    UnTagAll     200     201     Promiscuous
```

Deleting a VLAN

Use the following procedure to delete a VLAN or a range of VLANs.

Procedure

1. Enter Global Configuration mode:

```
enable
configure terminal
```

2. Delete the VLAN:

```
vlan delete <VID_list>
```

*** Note:**

VLAN 1 cannot be deleted.

Example

```
Switch(config)#vlan delete 2-25,80,101-256
```

Variable Definitions

Use the data in the following table to use the `vlan delete` command.

Variable	Value
<VID_list>	Enter as an individual VLAN ID to delete a single VLAN or enter as a range of VLAN IDs to delete multiple VLANs simultaneously. A VLAN ID can range from 1 to 4094.

Creating an RSPAN VLAN

Use the following procedure to create an RSPAN VLAN.

Procedure

1. Enter Global Configuration mode:


```
enable
configure terminal
```
2. Create an RSPAN VLAN:


```
vlan create <VID> type port [<1-8>] remote-span
```

Example

```
Switch(config)#vlan create 3 type port remote-span
```

Variable definitions

Use the data in the following table to use the `vlan create remote-span` command.

Variable	Value
<VID>	Specifies the RSPAN VLAN ID.
[<1-8>]	Specifies the Spanning Tree Group ID.

Deleting an RSPAN VLAN

Use the following procedure to delete an RSPAN VLAN.

Procedure

1. Enter Global Configuration mode:


```
enable
configure terminal
```
2. Use the following command to delete an RSPAN VLAN:


```
no vlan <VID> remote-span
```

 - where <VID> specifies the RSPAN VLAN ID.

Note:

An RSPAN VLAN cannot be deleted if it is used in a port-mirroring RSPAN instance. The RSPAN instance must be deleted first.

Displaying RSPAN VLAN information:

Use this procedure to display RSPAN VLAN information.

Procedure

1. Enter Privileged EXEC mode.
2. Use the following command to display RSPAN VLAN information:

```
show vlan remote-span
```

Disabling a voice VLAN

Use the following procedure to disable a VLAN or a list of VLANs as a voice VLAN.

Procedure

1. Enter Global Configuration mode:

```
enable  
configure terminal
```

2. Disable the voice VLAN:

```
no vlan <LINE> voice-vlan
```

Example

```
Switch(config)#no vlan 4-10 voice-vlan
```

Variable definition

Use the data in the following table to use the `no vlan voice-vlan` command.

Variable	Value
<LINE>	Enter as an individual VLAN ID to disable a single VLAN or enter as a range of VLAN IDs to disable multiple VLANs simultaneously. A VLAN ID can range from 1 to 4094.

Configuring VLAN name

Use the following procedure to configure or change a VLAN name.

Procedure

1. Enter Global Configuration mode:

```
enable
configure terminal
```

2. Change the VLAN name:

```
vlan name <1-4094> <name>
```

Example

```
Switch(config)#vlan create 5 type port
Switch(config)#vlan name 5 my_vlan
```

Variable Definitions

Use the data in the following table to use the `vlan name` command.

Variable	Value
<name>	Specifies the name of the VLAN.

Configuring automatic PVID

Use the following procedure to enable automatic PVID.

Procedure

1. Enter Global Configuration mode:

```
enable
configure terminal
```

2. Enable automatic PVID:

```
[no] auto-pvid
```

Use the `no` form of this command to disable automatic PVID.

Configuring IGMP snooping on a VLAN

Use the following procedure to enable IGMP snooping on a VLAN to forward the multicast data to only those ports that are members of the group. IGMP snooping is disabled by default.

Procedure

1. Enter Global Configuration mode:

```
enable
configure terminal
```
2. Enable IGMP snooping:

```
[default] [no] ip igmp snooping
```

OR
3. Enter VLAN Interface Configuration mode:

```
enable
configure terminal
interface vlan <1-4094>
```
4. Enable IGMP snooping:

```
[default] vlan igmp <vid> [snooping {enable | disable}]
```

Variable definitions

Use the data in the following table to use the `ip igmp snooping` and `vlan igmp snooping` command.

Variable	Value
default	Disables IGMP snooping on the selected VLAN.
no	Disables IGMP snooping on the selected VLAN.
enable	Enables IGMP snooping on the selected VLAN.
disable	Disables IGMP snooping on the selected VLAN.

Configuring port VLAN settings

Use the following procedure to configure port VLAN settings.

Procedure

1. Enter Global Configuration mode:

```
enable
configure terminal
```
2. Configure VLAN port settings:


```
vlan ports [<portlist>] [tagging {enable | disable | tagAll |
untagAll | tagPvidOnly | untagPvidOnly}] [pvid <1-4094>] [filter-
untagged-frame {enable | disable}] [filter-unregistered-frames
{enable | disable}] [priority <0-7>] [name <line>]
```

Example

```
Switch(config)#vlan ports 18 tagging tagall
```

Variable Definitions

Use the data in the following table to use the `vlan ports` command.

Variable	Value
<portlist>	Enter the port numbers to be configured for a VLAN.
tagging {enable disable tagAll untagAll tagPvidOnly untagPvidOnly}	Enables or disables the port as a tagged VLAN member for egressing packet.
pvid <1-4094>	Sets the PVID of the port to the specified VLAN.
filter-untagged-frame {enable disable}	Enables or disables the port to filter received untagged packets.
filter-unregistered-frames {enable disable}	Enables or disables the port to filter received unregistered packets. Enabling this feature on a port means that any frames with a VID to which the port does not belong to are discarded.
priority <0-7>	Sets the port as a priority for the switch to consider as it forwards received packets.
name <line>	Enter the name you want for this port.  Important: This option can only be used if a single port is specified in the <portlist>.

Configuring VLAN member ports

Use the following procedure to add or remove VLAN member ports from a VLAN or a range of VLANs.

Before you begin

The VLAN configuration control setting must be set to flexible.

Procedure

1. Enter Global Configuration mode:

```
enable
```

```
configure terminal
```

2. Configure VLAN member ports:

```
vlan configcontrol flexible
vlan members [add | remove] <VID_list> <portlist>
```

Example

```
Switch(config)#vlan configcontrol flexible
Switch(config)#vlan members add 5 15-17
```

Variable Definitions

Use the data in the following table to use the `vlan members [add | remove]` command.

Variable	Value
<code>add remove</code>	<p>Adds a port to or removes a port from a VLAN.</p> <p>! Important:</p> <p>If this parameter is omitted, set the exact port membership for the VLAN; the prior port membership of the VLAN is discarded and replaced by the new list of ports.</p>
<code><VID_list></code>	<p>Enter as an individual VLAN ID or enter as a range of VLAN IDs to add/remove members to multiple VLANs simultaneously. A VLAN ID can range from 1 to 4094.</p>
<code>portlist</code>	<p>Enter the list of ports to be added, removed, or assigned to the VLAN or list of VLAN IDs.</p>

Configuring VLAN Configuration Control

VLAN Configuration Control (VCC) allows a switch administrator to control how VLANs are modified. VLAN Configuration Control is a superset of the existing AutoPVID functionality and incorporates this functionality for backwards compatibility. VLAN Configuration Control is globally applied to all VLANs on the switch.

VLAN Configuration Control offers four options for controlling VLAN modification:

- Strict
- Automatic
- AutoPVID
- Flexible

! Important:

Strict is the factory default setting.

VLAN Configuration Control is only applied to ports with the tagging modes of **Untag All** and **Tag PVID Only**.

To configure VCC using CLI, see the following commands:

Displaying VLAN Configuration Control settings

Use the following procedure to display VLAN Configuration Control settings.

Procedure

1. Enter Global Configuration mode:


```
enable
configure terminal
```
2. Display VLAN Configuration Control settings:


```
show vlan configcontrol
```

Modifying VLAN Configuration Control

Use the following procedure to modify the current VLAN Configuration Control setting. This command applies the selected option to all VLANs on the switch.

Procedure

1. Enter Global Configuration mode:


```
enable
configure terminal
```
2. Modify the current VLAN Configuration Control setting:


```
vlan configcontrol <vcc_option>
```

Variable Definitions

Use the data in the following table to use the `vlan configcontrol` command.

Variable	Value
<vcc_option>	<p>This parameter denotes the VCC option to use on the switch. The valid values are:</p> <ul style="list-style-type: none"> • <code>automatic</code>: Changes the VCC option to Automatic. • <code>autopvid</code>: Changes the VCC option to AutoPVID. • <code>flexible</code>: Changes the VCC option to Flexible. • <code>strict</code>: Changes the VCC option to Strict. This is the default VCC value.

Managing MAC address forwarding database table

* Note:

In certain situations, due to the hash algorithm used by switch to store MAC addresses into memory, some MAC addresses may not be learned.

This section shows you how to view the contents of the MAC address forwarding database table, setting the age-out time for the addresses, and clearing The MAC address table.

Displaying the MAC address forwarding table

Use the following procedure to display the current contents of the MAC address forwarding database table. The MAC address table can store up to 16834 addresses.

Procedure

1. Enter Privileged EXEC mode:

```
enable
```

2. Display the current contents of the MAC address forwarding database table:

```
show mac-address-table [vid <1-4094>] [aging-time] [address <H.H.H>]
[port <portlist>] [dynamic ] [static] [spbm {i-sid <1-16777215>}]
[mlt <1-32>]
```

Variable Definitions

Use the data in the following table to use the `show mac-address-table` command.

Variable	Value
vid <1-4094>	Enter the number of the VLAN for which you want to display the forwarding database. Default is to display the management VLAN's database.
aging-time	Display the time in seconds after which an unused entry is removed from the forwarding database. The value range is from 10 to 1000000 seconds. By default, the aging time is 300 seconds.
address <H.H.H>	Display a specific MAC address if it exists in the database. Enter the MAC address you want displayed. For example, H.H.H or xx.xx.xx.xx.xx.xx or xx-xx-xx-xx-xx-xx or xx:xx:xx:xx:xx:xx.
port <portlist>	Specify ports.
dynamic	Display only dynamically learned addresses.
static	Display only statically inserted addresses.

Table continues...

Variable	Value
spbm <i>i-sid</i> <1–6777215>	Displays SPBM MAC address entries. You can enter also display MAC address entries for a specific <i>i-sid</i> .
mlt <1–32>	Displays the MAC addresses for the specified Trunk.

Enabling MAC address learning

If you disabled MAC address learning, use the following procedure to enable MAC address learning.

Procedure

1. Enter Global Configuration mode:

```
enable
configure terminal
```

2. Enable MAC address learning:

```
[default] mac-address-table learning [<portList>]
```

Variable definitions

Use the data in the following table to use the `mac-address-table learning` command.

Variable	Value
default	Default is learning enabled.
portList	Specifies a list of ports to be enabled. If you do not specify a port list, the system enables learning on all ports.

Disabling MAC address learning using CLI

Use this procedure to disable MAC address learning.

Procedure

1. Enter Global Configuration mode:

```
enable
configure terminal
```

2. Disable MAC address learning:

```
no mac-address-table learning [<portList>]
```

Variable definitions

Use the data in the following table to use the `no mac-address-table learning` command.

Variable	Value
portList	Specifies a list of ports on which you want to disable MAC address learning. If you do not specify a port list, the system disables learning for all ports.

Configuring aging time for unseen MAC addresses

Use the following procedure to configure the time during which the switch retains unseen MAC addresses.

Procedure

1. Enter Global Configuration mode:

```
enable
configure terminal
```

2. Configure aging time:

```
mac-address-table aging-time <10-1000000>
```

* Note:

The aging-time value defines the minimum time during which an unused MAC entry remains in the MAC address table. The maximum time is twice the value of aging-time. So, an unused MAC address expires in the interval between the value of aging-time and twice the value of aging-time.

Example

```
Switch(config)#mac-address-table aging-time 10
```

Variable Definitions

Use the data in the following table to use the `mac-address-table aging-time` command.

Variable	Value
aging-time <10-1 000 000>	Enter the aging time in seconds that you want for MAC addresses before they expire.

Setting aging time for unseen MAC addresses to default

Use the following procedure to set the aging time for MAC addresses to 300 seconds.

Procedure

1. Enter Global Configuration mode:

```
enable
configure terminal
```

2. Set the aging time for MAC addresses to default (300 seconds):

```
default mac-address-table aging-time
```

Adding a static address in the MAC address table

Use this procedure to add a static address in the MAC address table.

Procedure

1. Enter Global Configuration mode:

```
enable
configure terminal
```

2. Add a static address in the MAC address table:

```
mac-address-table static <H.H.H.> <vid> interface <interface-type>
<interface-id>
```

Variable definitions

Use the data in the following table to use the `mac-address-table static` command.

Variable	Value
H.H.H	Static address to be added in the MAC address table, range from 0:0:0:0:0 to FE:FF:FF:FF:FF:FF. Address can only be a unicast address.
vid	VLAN ID range from 1 - 4094.
interface-type	Enter the type of interface <ul style="list-style-type: none"> • Ethernet – add MAC address on a port • mlt – add MAC address on a trunk
interface-id	Number of port or trunk, for mlt, range is 1-32, for Ethernet, range is from 1/1 to x/y (max of x is 8 and max of y is 50).

Clearing the MAC address table

Use the following procedure to clear the MAC address table.

Procedure

1. Enter Privileged EXEC mode:

```
enable
```

2. Flush the MAC address table:

```
clear mac-address-table
```

Clearing the MAC address table on a VLAN

Use the following procedure to flush the MAC addresses for a specific VLAN.

Procedure

1. Enter Privileged EXEC mode:

```
enable
```

2. Flush the MAC address table for a specific VLAN:

```
clear mac-address-table interface vlan <1-4094>
```

Variable definition

Use the data in the following table to use the `clear mac-address-table interface vlan` command.

Variable	Value
1-4094	Specify the VLAN for which you want to be flush the MAC addresses.

Clearing the MAC address table on an Ethernet interface

Use the following procedure to flush the MAC addresses for the specified ports. This command does not flush the addresses learned on the trunk.

Procedure

1. Enter Privileged EXEC mode:

```
enable
```

2. Clear the MAC address table on an Ethernet interface:

```
clear mac-address-table interface Ethernet <LINE>
```

Variable definition

Use the data in the following table to use the `clear mac-address-table interface Ethernet` command.

Variable	Value
LINE	Specifies the list of ports for which you want to flush the MAC addresses.

Clearing the MAC address table on a trunk

Use the following procedure to flush the MAC addresses for the specified trunk. This command flushes only addresses that are learned on the trunk.

Procedure

1. Enter Privileged EXEC mode:

```
enable
```

2. Clear the MAC address table on a trunk:

```
clear mac-address-table interface mlt <1-32>
```

Variable definition

Use the data in the following table to use the `clear mac-address-table interface mlt` command.

Variable	Value
1-32	Specifies the Trunk for which you want to flushed the MAC addresses.

Removing a single address from the MAC address table

Use the following procedure to flush one MAC address from the MAC address table.

Procedure

1. Enter Privileged EXEC mode:

```
enable
```

2. Flush a single MAC address:

```
clear mac-address-table address <H.H.H>
```

Variable definition

Use the data in the following table to use the `clear mac-address-table address` command.

Variable	Value
H.H.H	Specifies the MAC address to clear, using one of the four formats.

Variable	Value
	The address formats can be H.H.H, xx.xx.xx.xx.xx.xx, xx-xx-xx-xx-xx-xx or xx:xx:xx:xx:xx:xx.

Removing a static address for a VLAN in the MAC address table

Use this procedure to clear a static address for a VLAN in the MAC address table.

Procedure

1. Enter Global Configuration mode:

```
enable
configure terminal
```

2. Clear the static address:

```
no mac-address-table static <address:H.H.H> <vid> interface
<interface-type> <interface-id>
```

OR

```
default mac-address-table static <address:H.H.H> <vid> interface
<interface-type> <interface-id>
```

Variable definitions

Use the data in the following table to use the `mac-address-table static` command.

Variable	Value
H.H.H	Static address to be cleared from the MAC address table, range from 0:0:0:0:0 to FE:FF:FF:FF:FF:FF. Address can only be a unicast address.
vid	VLAN ID range is 1 - 4094.
interface-type	Enter the type of interface. <ul style="list-style-type: none"> • Ethernet – add MAC address on a port • mlt – add MAC address on a trunk • vlan – add MAC address in a VLAN
interface-id	Number of port or trunk, for mlt, range is 1-32, for Ethernet, range is from 1/1 to x/y (max of x is 8 and max of y is 50), for vlan, range is 1-4094.

Removing static addresses from the MAC address table

Use the following procedure to flush static MAC addresses from the MAC address table.

Procedure

1. Enter Privileged EXEC mode:

```
enable
```

2. Flush static MAC addresses from the MAC address table:

```
clear mac-address-table [ interface <interface-type> <interface-id>]
```

Variable definitions

Use the data in the following table to use the `clear mac-address-table static` command.

Variable	Value
interface-type	Enter the type of interface. <ul style="list-style-type: none"> • Ethernet – flush MAC addresses on a port, or a list of ports • mlt – flush all MAC addresses on a trunk • vlan – flush all MAC addresses in a VLAN
interface-id	<ul style="list-style-type: none"> • mlt, enter the trunk number, range is 1-32, • for Ethernet, enter a list of ports to be flushed out, range is from 1/1 to x/y (max of x is 8 and max of y is 50) • for vlan, enter the VLAN ID, range is 1-4094

Removing dynamic addresses from the MAC address table

Use the following procedure to flush static MAC addresses from the MAC address table.

Procedure

1. Enter Privileged EXEC mode:

```
enable
```

2. Flush dynamic MAC addresses from the MAC address table:

```
clear mac-address-table dynamic [interface <interface-type>
<interface-id>]
```

Variable definitions

Use the data in the following table to use the `clear mac-address-table dynamic` command.

Variable	Value
interface-type	Enter the type of interface <ul style="list-style-type: none"> • Ethernet – flush MAC addresses on a port, or a list of ports • mlt – flush all MAC addresses on a trunk • vlan – flush all MAC addresses in a VLAN
interface-id	<ul style="list-style-type: none"> • mlt, enter the trunk number, range is 1-32 • for Ethernet, enter a list of ports to be flushed out, range is from 1/1 to x/y (max of x is 8 and max of y is 50) • For vlan, enter the VLAN ID, range is 1-4094

IP directed broadcasting

IP directed broadcasting takes the incoming unicast Ethernet frame, determines that the destination address is the directed broadcast for one of its interfaces, and then forwards the datagram onto the appropriate network using a link-layer broadcast.

IP directed broadcasting in a VLAN forwards direct broadcast packets in two ways:

- Through a connected VLAN subnet to another connected VLAN subnet.
- Through a remote VLAN subnet to the connected VLAN subnet.

By default, this feature is disabled.

Enabling IP directed broadcast

Use the following procedure to enable or disable IP directed broadcast.

Procedure steps

1. Use the following command from Global Configuration mode.

```
[no] ip directed-broadcast enable
```

Use the **no** variable for this command to disable.

Chapter 9: MultiLink Trunk Configuration using CLI

Use the CLI commands described in this section to create and manage MultiLink trunks. Depending on the type of MultiLink trunk being created or managed, the command mode needed to execute these commands can differ.

Configuring a Multi Link Trunk

Use the following procedure to configure a MLT.

Procedure

1. Enter Global Configuration mode:

```
enable
configure terminal
```

2. Configure a MLT:

```
mlt <id> [name <trunkname>] [enable | disable] [member <portlist>]
[learning {disable | fast | normal}] [bpdu {all-ports | single-
port}] [loadbalance <advance|basic>
```

Use the `no` form of this command to disable a MLT.

Variable Definitions

Use the data in the following table to use the `mlt` command.

Variable	Value
id	Enter the trunk ID; the range is 1–32.
name <trunkname>	Specify a text name for the trunk; enter up to 16 alphanumeric characters.
enable disable	Enable or disable the trunk.

Table continues...

Variable	Value
member <portlist>	Enter the ports that are members of the trunk.
learning <disable fast normal>	Set STP learning mode.
bpdn {all-ports single-port}	Set trunk to send and receive BPDUs on either all ports or a single port.
loadbalance	Specifies the type of MLT load balancing. <ul style="list-style-type: none"> • advance—performs hashing based on layer2 criteria • basic—performs hashing based on layer3 criteria

Displaying MLT configuration

Use the following procedure to display MLT configuration and utilization.

Procedure

1. Enter Privileged EXEC mode:

```
enable
```
2. Display MLT configuration and utilization:

```
show mlt [utilization <1-32>]
```

Displaying MLT members

Use the following procedure to display members of an MLT.

Procedure

1. Enter Privileged EXEC mode:

```
enable
```
2. Display MLT members:

```
show mlt all-members
```

Displaying MLT unicast hash calculation information

Use this procedure to display unicast hash calculation information for traffic on MLT ports.

About this task

The procedure displays the egress trunk port for a specific packet ingressing the switch and egressing a trunk.

Procedure

1. Enter Privileged EXEC mode:

```
enable
```

2. To display hash calculation information for unicast IPv4 or IPv6-based traffic, enter the following command:

```
show mlt hash-calc <1-32> dest-ip <ipv4_addr | ipv6_addr> src-ip
<ipv4_addr | ipv6_addr> tcp-udp-dport <0-65535> tcp-udp-sport <0-
65535>
```

3. To display hash calculation information for unicast MAC-based traffic, enter the following command:

```
show mlt hash-calc <1-32> dest-mac <H.H.H> src-mac <H.H.H> vlan <1-
4094> ethertype <ethertype> src-port <unit_port>
```

Example

The following example displays sample output for the `show mlt hash-calc <1-32> dest-ip <ipv4_addr | ipv6_addr> src-ip <ipv4_addr | ipv6_addr>` command when MLT is not enabled.

```
Switch#show mlt hash-calc 1 dest-ip 192.0.1.2 src-ip 192.0.1.5 tcp-udp-dport 2 tcp-udp-
sport 7
% MLT trunk is disabled.
```

The following example displays sample output for the `show mlt hash-calc <1-32> dest-ip <ipv4_addr | ipv6_addr> src-ip <ipv4_addr | ipv6_addr>` command when MLT links are down.

```
Switch#show mlt hash-calc 1 dest-ip 192.0.1.2 src-ip 192.0.1.5 tcp-udp-dport 2 tcp-udp-
sport 7
% MLT links are all down.
```

The following example displays sample output for the `show mlt hash-calc <1-32> dest-ip <ipv4_addr | ipv6_addr> src-ip <ipv4_addr | ipv6_addr>` command with a hash calculation.

```
Switch#show mlt hash-calc 1 dest-ip 192.0.1.2 src-ip 192.0.1.5 tcp-udp-dport 2 tcp-udp-
sport 7
Hash Calc: 1/24
```

The following example displays sample output for the `show mlt hash-calc <1-32> dest-mac <h:h:h> src-mac <h:h:h>` command when MLT is not enabled.

```
Switch#show mlt hash-calc 1 dest-mac 00-13-49-4b-04-74 src-mac 00-1D-42-36-EC-40 vlan 3
ethertype 0x001D src-port 1/24
% MLT trunk is disabled.
```

The following example displays sample output for the `show mlt hash-calc <1-32> dest-mac <h:h:h> src-mac <h:h:h>` command when MLT links are down.

```
Switch#show mlt hash-calc 1 dest-mac 00-13-49-4b-04-74 src-mac 00-1D-42-36-EC-40 vlan 3
ethertype 0x001D src-port 1/24
% MLT links are all down.
```

The following example displays sample output for the `show mlt hash-calc <1-32> dest-mac <h:h:h> src-mac <h:h:h>` command when the load balancing mode selected for the MLT algorithm is advanced.

```
Switch#show mlt hash-calc 1 dest-mac 00-13-49-4b-04-74 src-mac 00-1D-42-36-EC-40 vlan 3
ethertype 0x001D src-port 1/24
% You must use dest-ip and src-ip when MLT load-balancing mode is advanced.
```

The following example displays sample output for the `show mlt hash-calc <1-32> dest-mac <h:h:h> src-mac <h:h:h>` command when the load balancing mode selected for the MLT algorithm is basic.

```
Switch#show mlt hash-calc 1 dest-mac 00-13-49-4b-04-74 src-mac 00-1D-42-36-EC-40 vlan 3
ethertype 0x001D src-port 1/24
% Hash Calc: 2/23
```

Variable definitions

The following table describes the parameters for the `show mlt hash-calc` command.

Variable	Value
<1-32>	Specifies the MLT identifier. Values range from 1 to 32.
dest-ip <ipv4_addr ipv6_addr>	Specifies the destination IPv4 or IPv6 address of the packet.
src-ip <ipv4_addr ipv6_addr>	Specifies the source IPv4 or IPv6 address of the packet.
dest-mac <H.H.H>	Specifies the destination MAC address of the packet. Values range from 0:0:0:0:0:0 to ff:ff:ff:ff:ff:ff.
src-mac <H.H.H>	Specifies the source MAC address of the packet. Values range from 0:0:0:0:0:0 to ff:ff:ff:ff:ff:ff.
vlan <1-4094>	Specifies a VLAN identifier. Values range from 1 to 4094.
ethertype <ethertype>	Specifies the Ethertype value as a decimal or hexadecimal value. Values range from 8101 to 81FF hexadecimal, or 33025 to 36479 decimal.
src-port <unit_port>	Specifies the ingress unit and port number.
tcp-udp-dport <0-65535>	Specifies the destination TCP/UDP port number.
tcp-udp-sport <0-65535>	Specifies the source TCP/UDP port number.

Displaying MLT non-unicast hash calculation information

Use this procedure to display non-unicast hash calculation information for traffic on MLT ports.

About this task

The procedure displays the egress trunk port for a specific packet ingressing the switch and egressing a trunk.

Procedure

1. Enter Privileged EXEC mode:

```
enable
```

2. To display hash calculation information for IP multicast traffic, enter the following command:

```
show mlt hash-calc <1-32> non-unicast dest-ip <ipv4_addr |  
ipv6_addr> src-ip <ipv4_addr | ipv6_addr> src-port <unit_port>
```

3. To display hash calculation information for non-unicast traffic (L2 multicast, DLF, and broadcast traffic) , enter the following command:

```
show mlt hash-calc <1-32> non-unicast dest-mac <H.H.H> src-mac  
<H.H.H> src-port <unit_port>
```

Variable definitions

The following table describes the parameters for the `show mlt hash-calc non-unicast` command.

Variable	Value
<1-32>	Specifies the MLT identifier. Values range from 1 to 32.
non-unicast	Indicates the non-unicast algorithm for which to display load balancing information.
dest-ip <ipv4_addr ipv6_addr>	Specifies the destination IPv4 or IPv6 address of the packet.
src-ip <ipv4_addr ipv6_addr>	Specifies the source IPv4 or IPv6 address of the packet.
dest-mac <H.H.H>	Specifies the destination MAC address of the packet. Values range from 0:0:0:0:0:0 to ff:ff:ff:ff:ff:ff.
src-mac <H.H.H>	Specifies the source MAC address of the packet. Values range from 0:0:0:0:0:0 to ff:ff:ff:ff:ff:ff.
src-port <unit_port>	Specifies the ingress unit and port number.

Displaying STG MLT properties

Use the following procedure to display the properties of MultiLink trunks (MLT) participating in Spanning Tree Groups (STG).

Procedure

1. Enter Global Configuration mode:

```
enable
```

```
configure terminal
```
2. Display the properties of MLTs participating in Spanning Tree Groups:

```
show mlt spanning-tree <1-32>
```

Variable Definitions

Use the data in the following table to use the `show mlt spanning-tree` command.

Variable	Value
<1-32>	Specifies the ID of the MLT to display.

Configuring STP participation for MLTs

Use the following procedure to set Spanning Tree Protocol (STP) participation for Multi Link Trunks (MLT).

Procedure

1. Enter Global Configuration mode:

```
enable
```

```
configure terminal
```
2. Sset STP participation for MLTs:

```
mlt spanning-tree <1-32> [stp <1-8 | all > learning {disable | normal | fast}
```

Variable Definitions

Use the data in the following table to use the `mlt spanning-tree` command.

Variable	Value
<1 - 32>	Specify the ID of the MLT to associate with the STG.
stp <1 - 8 all >	Specify the spanning tree group.

Table continues...

Variable	Value
learning {disable normal fast}	Specify the STP learning mode: <ul style="list-style-type: none"> • disable: disables learning • normal: sets the learning mode to normal • fast: sets the learning mode to fast

Enabling all ports shutdown in the MLT

Use this procedure to enable the shutdown of all ports in the MLT if the MLT is disabled.

Procedure

1. Enter Global Configuration mode:

```
enable
configure terminal
```

2. Enable the shutdown of all ports in the MLT if MLT is disabled:

```
mlt shutdown-ports-on-disable enable
```

Disabling MLT Enable or Disable Whole Trunk feature

Use this procedure to disable the MLT Enable or Disable Whole Trunk feature, and restore MLTs to the default operational mode.

Procedure

1. Enter Global Configuration mode:

```
enable
configure terminal
```

2. Disable the MLT Enable or Disable Whole Trunk feature and restore MLTs to the default operational mode:

```
no mlt shutdown-ports-on-disable enable
```

Displaying the current MLT Enable or Disable Whole Trunk mode of operation

Use this procedure to display the status of the MLT Enable or Disable Whole Trunk feature.

Procedure

1. Enter Privileged EXEC mode:
`enable`
2. Display the current MLT mode of operation:
`show mlt shutdown-ports-on-disable`

Selecting an SLPP Guard Ethernet type

Use this procedure to select an SLPP Guard Ethernet type for the switch.

* Note:

You must configure Ethertype to match the SLPP Ethernet type on the adjacent core or distribution switches that have SLPP enabled.

Procedure

1. Enter Global Configuration mode:
`enable`
`configure terminal`
2. Select an SLPP Guard ethernet type:
`slpp-guard ethertype <0x0600-0xffff>`
3. Set the SLPP Guard ethernet type to the default value:
`default slpp-guard ethertype`

Variable Definitions

Use the data in the following table to use the `slpp-guard ethertype` command.

Variable	Value
<0x0600-0xffff>	Specifies a hexadecimal value ranging from 0x0600 to 0xffff. Use the prefix 0x to type the hexadecimal value.

Configuring SLPP Guard

Use this procedure to configure SLPP Guard for switch ports.

*** Note:**

SLPP packets are generated only on switches that are configured with SLPP - for example ERS 5000 Series or ERS 8300. The switch does not support SLPP. When you enable SLPP Guard on the switch, it must be connected to another switch that supports SLPP and SLPP must be enabled on that switch.

Procedure

1. Enter Ethernet Interface Configuration mode:

```
enable
configure terminal
interface Ethernet <port>
```

2. Configure SLPP Guard for switch ports:

```
[default][no] slpp-guard [port <portlist>][enable][timeout {0|
<10-65535>}]
```

Variable Definitions

Use the data in the following table to use the `slpp-guard` command.

Variable	Value
[default]	Sets SLPP Guard parameters to default values for a port or list of ports.
[enable]	Enables SLPP Guard parameters for a port or list of ports.
[no]	Disables SLPP Guard parameters for a port or list of ports.
[port <portlist>]	Specifies the port or list of ports on which the specified SLPP Guard parameter or parameters are configured.
[timeout {0 <10-65535>}]	Specifies the time period, in seconds, for which SLPP Guard disables the port. After the timeout period expires, the switch re-enables the port. The timeout value can be 0 or a value ranging from 10 to 65535. With a value of 0, the port remains disabled until it is manually re-enabled. The default timeout value is 60 seconds.

Viewing the SLPP Guard status

Use this procedure to display the SLPP Guard configuration status for the switch or a specific list of ports.

Procedure

1. Log on to CLI to enter User EXEC mode.
2. Display the SLPP Guard configuration status:

```
show slpp-guard [<portlist>]
```

Example

```
Switch>show slpp-guard
SLPP-guard Ethertype: 0x8102
Port      Link Oper SLPP-guard State      Timeout TimerCount
-----
1         Down Down Disabled N/A        60       N/A
2         Down Down Disabled N/A        60       N/A
3         Up   Up   Disabled N/A        60       N/A
4         Down Down Disabled N/A        60       N/A
5         Down Down Disabled N/A        60       N/A
6         Down Down Disabled N/A        60       N/A
7         Down Down Disabled N/A        60       N/A
8         Down Down Disabled N/A        60       N/A
9         Down Down Disabled N/A        60       N/A
10        Down Down Disabled N/A        60       N/A
11        Down Down Disabled N/A        60       N/A
12        Down Down Disabled N/A        60       N/A
13        Down Down Disabled N/A        60       N/A
14        Down Down Disabled N/A        60       N/A
15        Down Down Disabled N/A        60       N/A
16        Down Down Disabled N/A        60       N/A
17        Down Down Disabled N/A        60       N/A
18        Down Down Disabled N/A        60       N/A
19        Down Down Disabled N/A        60       N/A
----More (q=Quit, space/return=Continue)----
```

* Note:

The TimerCount column in the preceding figure indicates the time, in seconds, that elapses after SLPP Guard disables a port. When the value TimerCount value equals the Timeout value, the switch re-enables the port.

Variable Definitions

Use the data in the following table to use the `show slpp-guard` command.

Variable	Value
<portlist>	Specifies a list of ports for which to display the SLPP Guard configuration status.

Chapter 10: SLPP Configuration using CLI

This chapter provides procedures used to configure Simple Loop Prevention Protocol (SLPP) using the CLI.

Configuring SLPP transmitting list

About this task

Use the following procedure to add a VLAN to the SLPP transmitting list.

Procedure

1. Enter Global Configuration mode:

```
enable
```

```
configure terminal
```
2. At the prompt, enter the following command:

```
[no] slpp vid <1-4095>
```

Configuring SLPP

Enable the Simple Loop Prevention Protocol (SLPP) globally, for a VLAN and locally on a port to detect a loop and automatically stop it. The VLAN configuration controls the boundary of SLPP-PDU transmission.

Procedure

1. Enter Global Configuration mode:

```
enable
```

```
configure terminal
```
2. Enable SLPP:

```
slpp enable
```
3. Configure the ethertype:

- ```
slpp ethertype <0x0600 - 0xffff>
```
4. Configure the auto port re-enable timeout:  

```
slpp timeout <0 - 65535>
```
  5. Configure the transmission interval:  

```
slpp tx-interval <500-5000>
```
  6. Add a VLAN to the transmission list:  

```
slpp vid<1 - 4094>
```

---

## Configuring SLPP PDU transmit interval

### About this task

Use the following procedure to configure the SLPP PDU transmit interval in milliseconds. The default setting is 500 ms.

### Procedure

1. Enter Global Configuration mode:  

```
enable
```

```
configure terminal
```
2. At the prompt, enter the following command:  

```
slpp tx-interval <500-5000>
```

---

## Configuring SLPP PDU ether type

### About this task

Use the following procedure to configure the SLPP PDU ether type value.

### Procedure

1. Enter Global Configuration mode:  

```
enable
```

```
configure terminal
```
2. At the prompt, enter the following command:  

```
slpp ethertype <0x0 - 0xffff>
```

---

## Configuring SLPP port auto enable

### About this task

Use the following procedure to configure the auto enable timer for ports shut down by SLPP.

### Procedure

1. Enter Global Configuration mode:  

```
enable
configure terminal
```
2. At the prompt, enter the following command:  

```
slpp timeout <1-65535>
```

---

## Enabling SLPP PDU receive function per port

### About this task

Use the following procedure to enable the SLPP PDU received function on a port.

### Procedure

1. Enter Ethernet Interface Configuration mode:  

```
enable
configure terminal
interface Ethernet <port>
```
2. At the prompt, enter the following command:  

```
[no] slpp [port portList] enable
```

---

## Configuring SLPP on an interface port

### About this task

Use the following procedure to configure the number of SLPP PDUs that must be received prior to shutting down a port as a result of looping.

### Procedure

1. Enter Ethernet Interface Configuration mode:  

```
enable
configure terminal
```

## SLPP Configuration using CLI

```
interface Ethernet <port>
```

2. At the prompt, enter the following command:

```
[default] slpp [port portList] packet-rx-threshold <1-500>
```

# Chapter 11: Spanning Tree Protocol configuration using CLI

Use the CLI commands described in this section to configure and manage Spanning Tree Protocol (STP).

---

## Configuring STP operation mode

Use the following procedure to set the STP operational mode to STPG (Multiple Spanning Tree Protocol), RSTP (802.1w Rapid Spanning Tree Protocol), or MST (802.1s Multiple Spanning Tree Protocol).

### Procedure

1. Enter Global Configuration mode:

```
enable
configure terminal
```

2. Set the STP operational mode to STPG, RSTP, or MST:

```
spanning-tree mode {mst | rstp | stpg}
```

3. Save the current configuration to the flash memory:

```
copy config nvram
```

**\* Note:**

If the autosave feature is enabled, this step is not required.

4. Reboot the switch:

```
boot
```

## Configuring STP BPDU filtering

Use the following procedure to configure STP BPDU filtering on a port. This command is available in all STP modes (STG, RSTP, and MSTP).

### Procedure

1. Enter Interface Configuration mode:

```
enable
configure terminal
interface Ethernet <port> or interface vlan <1-4094>
```

2. Configure STP BPDU filtering on a port:

```
spanning-tree bpdu-filtering [port <portlist>] [enable] [timeout
<10-65535 | 0>]
```

## Variable Definitions

Use the data in the following table to use the `spanning-tree bpdu-filtering` command.

| Variable                | Value                                                                                                                                                                                                                         |
|-------------------------|-------------------------------------------------------------------------------------------------------------------------------------------------------------------------------------------------------------------------------|
| port <portlist>         | Specifies the ports affected by the command.                                                                                                                                                                                  |
| enable                  | Enables STP BPDU Filtering on the specified ports. The default value is disabled.                                                                                                                                             |
| timeout <10-65535   0 > | When BPDU filtering is enabled, this indicates the time (in seconds) during which the port remains disabled after it receives a BPDU. The port timer is disabled if this value is set to 0. The default value is 120 seconds. |

## Configuring STP BPDU filtering ignore-self

Use this procedure to prevent the switch from blocking ports if an IP Phone loops back BPDU packets.

### Procedure

1. Enter Global Configuration mode:

```
enable
configure terminal
```

2. Configure STP BPDU Filtering ignore self:



```
[no] [default] spanning-tree bpdu-filtering ignore-self
```

---

## Variable Definitions

Use the data in the following table to use the `spanning-tree bpdu-filtering ignore-self` command.

| Variable  | Value                                    |
|-----------|------------------------------------------|
| [default] | Disables STP BPDU Filtering ignore self. |
| [no]      |                                          |

---

## Viewing the STP BPDU Filtering ignore-self status

Use this procedure to display the configuration status for STP BPDU Filtering ignore-self.

### Procedure

1. Enter Privileged EXEC mode:
 

```
enable
```
2. Display the configuration status for STP BPDU Filtering ignore self:
 

```
show spanning-tree bpdu-filtering ignore-self
```

---

## Creating and Managing STGs using CLI

To create and manage Spanning Tree Groups, see the Command Line Interface commands listed in this section. Depending on the type of Spanning Tree Group that you want to create or manage, the command mode needed to execute these commands can differ.

In the following commands, the omission of any parameters that specify a Spanning Tree Group results in the command operating against the default Spanning Tree Group (Spanning Tree Group 1).

---

## Configuring path cost calculation using CLI

Use the following procedure to set the path cost calculation mode for all Spanning Tree Groups on the switch.

### Procedure

1. Enter Global Configuration mode:

- ```
enable
```
- ```
configure terminal
```
2. Set the path cost calculation:

```
spanning-tree cost-calc-mode {dot1d | dot1t}
```
  3. To set the cost-calc-mode to its default value (dot1d), use the following command:

```
default spanning-tree cost-calc-mode
```

---

## Configuring STG port membership

Use the following procedure to set the STG port membership mode for all Spanning Tree Groups on the switch.

### Procedure

1. Enter Global Configuration mode:

```
enable
```

```
configure terminal
```
2. Set the STG membership mode:

```
spanning-tree port-mode {auto | normal}
```

---

## Displaying spanning tree configuration information

Use the following procedure to display spanning tree configuration information that is specific to either the Spanning Tree Group or to the port.

### Procedure

1. Enter Privileged EXEC mode:

```
enable
```
2. Display spanning tree configuration information:

```
show spanning-tree [stp <1-8>] {config | port| vlans} {cost-calc-
mode | mode | port-mode}
```

## Variable Definitions

Use the data in the following table to use the `show spanning-tree` command.

| Variable              | Value                                                                                                                                                                                                                                                                                          |
|-----------------------|------------------------------------------------------------------------------------------------------------------------------------------------------------------------------------------------------------------------------------------------------------------------------------------------|
| stp <1-8>             | Display specified Spanning Tree Group configuration; enter the number of the group to be displayed.                                                                                                                                                                                            |
| config   port   vlans | Display spanning tree configuration for <ul style="list-style-type: none"> <li>• config: the specified (or default) Spanning Tree Group</li> <li>• port: the ports within the Spanning Tree Group</li> <li>• vlans: the VLANs that are members of the specified Spanning Tree Group</li> </ul> |
| cost-calc-mode        | Display pathcost type.                                                                                                                                                                                                                                                                         |
| mode                  | Display the STP operational mode (STG, RSTP, or MST).                                                                                                                                                                                                                                          |
| port-mode             | Display the STG port membership mode.                                                                                                                                                                                                                                                          |

## Creating a spanning tree group

Use the following procedure to create a spanning tree group.

### Procedure

1. Enter Global Configuration mode:

```
enable
configure terminal
```
2. Create a spanning tree group:

```
spanning-tree stp <1-8> create
```

## Variable Definitions

Use the data in the following table to use the `spanning-tree stp` command.

| Variable | Value                                 |
|----------|---------------------------------------|
| <1-8>    | Specifies the spanning tree group ID. |

## Deleting a spanning tree group

Use the following procedure to delete a spanning tree group.

### Procedure

1. Enter Global Configuration mode:

```
enable
configure terminal
```

2. Delete a spanning tree group:

```
spanning-tree stp <1-8> delete
```

---

## Enabling a spanning tree group

Use the following procedure to enable a spanning tree group.

### Procedure

1. Enter Global Configuration mode:

```
enable
configure terminal
```

2. Enable a spanning tree group:

```
spanning-tree stp <1-8> enable
```

---

## Disabling a spanning tree group

Use the following procedure to disable a spanning tree group.

### Procedure

1. Enter Global Configuration mode:

```
enable
configure terminal
```

2. Disable a spanning tree group:

```
spanning-tree stp <1-8> disable
```

---

## Configuring STP values by STG

Use the following procedure to configure STP values by STG.

### Procedure

1. Enter Global Configuration mode:

```
enable
configure terminal
```

2. Configure STP values by STG:

```
spanning-tree [stp <1-8>] [forward-time <4-30>] [hello-time <1-10>]
[max-age <6-40>] [priority {0000 | 1000 | 2000 | 3000 | ... | E000 |
```

```
F000}} [tagged-bpdu {enable | disable}] [tagged-bpdu-vid <1-4094>]
[multicast-address <H.H.H>] [add-vlan <1-4094>] [remove-vlan
<1-4094>]
```

## Variable Definitions

Use the data in the following table to use the `spanning-tree` command.

| Variable                                                 | Value                                                                                                                  |
|----------------------------------------------------------|------------------------------------------------------------------------------------------------------------------------|
| stp <1-8>                                                | Specify the Spanning Tree Group; enter the STG ID.<br>DEFAULT: ?                                                       |
| forward-time <4-30>                                      | Enter the forward time of the STG in seconds; the range is from 4–30.<br>DEFAULT: 15 seconds.                          |
| hello-time <1-10>                                        | Enter the hello time of the STG in seconds; the range is from 1–10.<br>DEFAULT: 2 seconds.                             |
| max-age <6-40>                                           | Enter the max-age of the STG in seconds; the range is from 6–40.<br>DEFAULT: 20 seconds.                               |
| priority {0000   1000   2000   3000   ...   E000   F000} | Set the spanning tree priority (in Hex); if 802.1T compliant, this value must be a multiple of 1000.                   |
| tagged-bpdu {enable   disable}                           | Set the BPDU as tagged or untagged.<br>DEFAULT: For STG 1 (default group) is untagged; for all other groups is tagged. |
| tagged-bpdu-vid <1-4094>                                 | Set the VLAN ID for the tagged BPDU.<br>DEFAULT: 4001 to 4008 for STG 1 to 8, respectively.                            |
| multicast-address <H.H.H>                                | Set the spanning tree multicast address.                                                                               |
| add-vlan <1-4094>                                        | Add a VLAN to the Spanning Tree Group.                                                                                 |
| remove-vlan <1-4094>                                     | Remove a VLAN from the Spanning Tree Group.                                                                            |

## Restoring default spanning tree value for a STG

Use the following procedure to restore default spanning tree values for a Spanning Tree Group.

### Procedure

1. Enter Global Configuration mode:
 

```
enable
configure terminal
```
2. Restore default values:

```
default spanning-tree [stp <1-8>] [forward-time] [hello-time] [max-age] [priority] [tagged-bpdu] [multicast-address]
```

## Variable Definitions

Use the data in the following table to use the `default spanning-tree` command.

| Variable          | Value                                                                                                                                                      |
|-------------------|------------------------------------------------------------------------------------------------------------------------------------------------------------|
| stp <1-8>         | Disable the Spanning Tree Group; enter the STG ID.                                                                                                         |
| forward-time      | Set the forward time to the default value of 15 seconds.                                                                                                   |
| hello-time        | Set the hello time to the default value of 2 seconds.                                                                                                      |
| max-age           | Set the maximum age time to the default value of 20 seconds.                                                                                               |
| priority          | Set spanning tree priority (in Hex); if 802.1T compliant, this value must be a multiple of 0x1000.                                                         |
| tagged-bpdu       | Set the tagging to the default value. The default value for Spanning Tree Group 1 (default group) is untagged; the default for the other groups is tagged. |
| multicast-address | Set the spanning tree multicast MAC address to the default.                                                                                                |

## Setting STP and STG participation

Use the following procedure to set the Spanning Tree Protocol (STP) and multiple Spanning Tree Group (STG) participation for the ports within the specified Spanning Tree Group.

### Procedure

1. Enter Ethernet Interface Configuration mode:

```
enable
configure terminal
interface Ethernet <port>
```

2. Set STP and STG participation:


```
spanning-tree [port <portlist>] [stp <1-8>] [learning {disable | normal | fast}] [cost <1-65535>] [priority {00 | 10 | < | F0}]
```

## Variable Definitions

Use the data in the following table to use the `spanning-tree` command.

| Variable        | Value                                                                                                                 |
|-----------------|-----------------------------------------------------------------------------------------------------------------------|
| port <portlist> | Enable the spanning tree for the specified port or ports; enter port or ports you want enabled for the spanning tree. |

*Table continues...*

| Variable                       | Value                                                                                                                                                                                                                                                             |
|--------------------------------|-------------------------------------------------------------------------------------------------------------------------------------------------------------------------------------------------------------------------------------------------------------------|
|                                |  <b>Important:</b><br>If you omit this parameter, the system uses the port number you specified when you issued the interface command to enter the Interface Configuration mode. |
| stp <1-8>                      | Specify the spanning tree group; enter the STG ID.                                                                                                                                                                                                                |
| learning {disable normal fast} | Specify the STP learning mode: <ul style="list-style-type: none"> <li>• disable: disables spanning-tree learning mode</li> <li>• normal: changes to normal learning mode</li> <li>• fast: enables FastLearn mode</li> </ul>                                       |
| cost <1-65535>                 | Enter the path cost of the spanning tree; range is from 1–65535.                                                                                                                                                                                                  |
| [priority {00   10   <   F0}   | Set the spanning tree priority for a port as a hexadecimal value.                                                                                                                                                                                                 |

## Setting default spanning tree values for ports

Use the following procedure to set the spanning tree values for the ports within the specified Spanning Tree Group to the factory default settings.

### Procedure

1. Enter Ethernet Interface Configuration mode:


```
enable
configure terminal
interface Ethernet <port>
```

2. Set default spanning tree values

```
default spanning-tree [port <portlist>] [stp <1-8>] [learning]
[cost] [priority]
```

## Variable Definitions

Use the data in the following table to use the `default spanning-tree` command.

| Variable        | Value                                                                                                                                                                                                                                                                                                                                                                                           |
|-----------------|-------------------------------------------------------------------------------------------------------------------------------------------------------------------------------------------------------------------------------------------------------------------------------------------------------------------------------------------------------------------------------------------------|
| port <portlist> | Enable spanning tree for the specified port or ports; enter port or ports to be set to factory spanning tree default values.<br><br> <b>Important:</b><br>If this parameter is omitted, the system uses the port number specified when the interface command was used to enter Interface Configuration mode. |

*Table continues...*

| Variable  | Value                                                                                                                                                                  |
|-----------|------------------------------------------------------------------------------------------------------------------------------------------------------------------------|
| stp <1-8> | Specify the Spanning Tree Group to set to factory default values; enter the STG ID. This command places the port into the default STG. The default value for STG is 1. |
| learning  | Set the spanning tree learning mode to the factory default value.<br>The default value for learning is Normal mode.                                                    |
| cost      | Set the path cost to the factory default value.<br>The default value for path cost depends on the type of port.                                                        |
| priority  | Set the priority to the factory default value.<br>The default value for the priority is 0x8000.                                                                        |

## Disable spanning tree for a port

Use the following procedure to disable spanning tree for a port in a specific Spanning Tree Group.

### Procedure

1. Enter Ethernet Interface Configuration mode:


```
enable
configure terminal
interface Ethernet <port>
```

2. Disable spanning tree for a port:

```
no spanning-tree [port <portlist>] [stp <1-8>]
```

## Variable Definitions

Use the data in the following table to use the `no spanning-tree` command.

| Variable        | Value                                                                                                                                                                                                                                                                                                                                                                        |
|-----------------|------------------------------------------------------------------------------------------------------------------------------------------------------------------------------------------------------------------------------------------------------------------------------------------------------------------------------------------------------------------------------|
| port <portlist> | Disable spanning tree for the specified port or ports; enter port or ports you want disabled for STP.<br><br> <b>Important:</b><br>If this parameter is omitted, the system uses the port number specified when the interface command was used to enter the Interface Configuration mode. |
| stp <1-8>       | Disable the port in the specified Spanning Tree Group; enter the STG ID.                                                                                                                                                                                                                                                                                                     |



---

## STP 802.1D compliancy support configuration using CLI

Use the information in this section to enable or disable STP 802.1D compliancy support on the switch, and to display the STP 802.1D compliancy support configuration status.

---

### Enabling STP 802.1D compliancy support

Use the following procedure to enable STP 802.1D compliancy support for the switch.

#### Procedure

1. Enter Global Configuration mode:  

```
enable
configure terminal
```
2. Enable STP 802.1D compliancy support:  

```
spanning-tree 802dot1d-port-compliance enable
```

---

### Disabling STP 802.1D compliancy support

Use the following procedure to disable STP 802.1D compliancy support as required.

#### Procedure

1. Enter Global Configuration mode:  

```
enable
configure terminal
```
2. Disable STP 802.1D compliancy support:  

```
no spanning-tree 802dot1d-port-compliance enable
```

OR

```
default spanning-tree 802dot1d-port-compliance enable
```

---

### Viewing STP 802.1D compliancy support status

Use the following procedure to display the administrative and operational status of STP 802.1D compliancy support.

#### Procedure

1. Log on to CLI to enter User EXEC mode.
2. Display the administrative and operational status of STP 802.1D compliancy support:

```
show spanning-tree 802dot1d-port-compliance
```

### Example

```
Switch>show spanning-tree 802dot1d-port-compliance
802.1d Port Compliance Admin Mode: Disabled
802.1d Port Compliance Oper Mode: Disabled
```

---

## STP 802.1t cost calculation support configuration using CLI

Use the information in this section to enable, disable, and display the STP 802.1t cost calculation support configuration status.

---

### Enabling STP 802.1t cost calculation support

Use the following procedure to enable STP 802.1t cost calculation support for the switch.

#### Procedure

1. Enter Global Configuration mode:  

```
enable
```

```
configure terminal
```
2. Enable STP 802.1t cost calculation support:  

```
spanning-tree cost-calc-mode dot1t
```

---

### Disabling STP 802.1t cost calculation support

Use the following procedure to disable STP 802.1t cost calculation support for the switch.

#### Procedure

1. Enter Global Configuration mode:  

```
enable
```

```
configure terminal
```
2. Disable STP 802.1t cost calculation support:  

```
default spanning-tree cost-calc-mode
```

---

## Viewing STP 802.1t cost calculation status

Use the following procedure to display the administrative and operational status of STP 802.1t cost calculation support.

### Procedure

1. Enter Privileged EXEC mode:  

```
enable
```
2. Display the administrative and operational status of STP 802.1t cost calculation support:  

```
show spanning-tree cost-calc-mode
```

### Example

```
Switch>enable
Switch#show spanning-tree cost-calc-mode
Path Cost Mode: IEEE 802.1d
```

---

## Managing RSTP using CLI

Use the CLI commands described in this section to configure and manage Rapid Spanning Tree Protocol (RSTP).

### \* Note:

To configure RSTP, you must set the STP operational mode to RSTP. For more information, see [Configuring STP operation mode](#) on page 135

---

## Configuring RSTP parameters

Use the following procedure to set the RSTP parameters which include forward delay, hello time, maximum age time, default path cost version, bridge priority, transmit holdcount, and version for the bridge.

### Procedure

1. Enter Global Configuration mode:  

```
enable
```

```
configure terminal
```
2. Configure RSTP parameters:  

```
spanning-tree rstp [forward-time <4 - 30>] [hello-time <1 - 10>]
[max-age <6 - 40>] [pathcost-type {bits16 | bits32}] [priority
```

```
{0000|1000|2000| ... | F000}} [tx-holdcount <1 - 10>] [version {stp-compatible | rstp}]
```

## Variable Definitions

Use the data in the following table to use the `spanning-tree rstp` command.

| Variable                            | Value                                                                       |
|-------------------------------------|-----------------------------------------------------------------------------|
| forward-time <4- 30>                | Set the RSTP forward delay for the bridge in seconds; the default is 15.    |
| hello-time <1- 10>                  | Set the RSTP hello time delay for the bridge in seconds; the default is 2.  |
| max-age <6 - 40>                    | Set the RSTP maximum age time for the bridge in seconds; the default is 20. |
| pathcost-type {bits16   bits32}     | Set the RSTP default path cost version; the default is bits32.              |
| priority {0000   1000   ...   F000} | Set the RSTP bridge priority (in hex); the default is 8000.                 |
| tx-hold count                       | Set the RSTP Transmit Hold Count; the default is 3.                         |
| version {stp-compatible   rstp}     | Set the RSTP version; the default is rstp.                                  |

## Configuring RSTP parameters per port

Use the following procedure to set the RSTP parameters, which include path cost, edge-port indicator, learning mode, point-to-point indicator, priority, and protocol migration indicator on the single or multiple port.

### Procedure

1. Enter Ethernet Interface Configuration mode:

```
enable
configure terminal
interface Ethernet <port>
```

2. Configure RSTP parameters on single or multiple ports:

```
spanning-tree rstp [port <portlist>] [cost <1 - 200000000>][edge-port {false | true}] [learning {disable | enable}] [p2p {auto | force-false | force-true}] [priority {00 | 10 | ... | F0}] [protocol-migration {false | true}]
```

## Variable Definitions

Use the data in the following table to use the `spanning-tree rstp` command.

| Variable        | Value                    |
|-----------------|--------------------------|
| port <portlist> | Filter on list of ports. |

*Table continues...*

| Variable                              | Value                                                                                                                                                                |
|---------------------------------------|----------------------------------------------------------------------------------------------------------------------------------------------------------------------|
| cost <1 - 200000000>                  | Set the RSTP path cost on the single or multiple ports; the default is 200000.                                                                                       |
| edge-port {false   true}              | Indicate whether the single or multiple ports are assumed to be edge ports. This parameter sets the Admin value of edge port status; the default is false.           |
| learning {disable   enable}           | Enable or disable RSTP on the single or multiple ports; the default is enable.                                                                                       |
| p2p {auto   force-false   force-true} | Indicate whether the single or multiple ports are to be treated as point-to-point links. This command sets the Admin value of P2P Status; the default is force-true. |
| priority {00   10  ...   F0}          | Set the RSTP port priority on the single or multiple ports; the default is 80.                                                                                       |
| protocol-migration {false   true}     | Force the single or multiple port to transmit RSTP BPDUs when set to true, while operating in RSTP mode; the default is false.                                       |

## Displaying RSTP bridge-level configuration details

Use the following procedure to display the Rapid Spanning Tree Protocol (RSTP) related bridge-level configuration details.

### Procedure

1. Enter Privileged EXEC mode:

```
enable
```

2. Display configuration details:

```
show spanning-tree rstp {config | status | statistics }
```

## Variable Definitions

Use the data in the following table to use the `show spanning-tree rstp` command.

| Variable   | Value                                       |
|------------|---------------------------------------------|
| config     | Display RSTP bridge-level configuration.    |
| status     | Display RSTP bridge-level role information. |
| statistics | Display RSTP bridge-level statistics.       |

## Displaying RSTP port-level configuration details

Use the following procedure to display the Rapid Spanning Tree Protocol (RSTP) related port-level configuration details.

### Procedure

1. Enter Privileged EXEC mode:

```
enable
```

## 2. Display RSTP-related port-level configuration details:

```
show spanning-tree rstp port {config | status | statistics | role}
 [<portlist>]
```

## Variable Definitions

Use the data in the following table to use the `show spanning-tree rstp port` command.

| Variable   | Value                                     |
|------------|-------------------------------------------|
| config     | Display RSTP port-level configuration.    |
| status     | Display RSTP port-level role information. |
| statistics | Display RSTP port-level statistics.       |
| role       | Display RSTP port-level status.           |

---

## Configuring RSTP SNMP traps using CLI

RSTP SNMP traps feature provides the ability to receive SNMP notification about RSTP protocol. These events are also logged to syslog.

The following events are generated:

- **nnRstNewRoot**—a notification that is generated whenever a new root bridge is selected in the topology.
- **nnRstTopologyChange**—a notification that is generated whenever a topology change is detected.
- **nnRstProtocolMigration**—a notification that is generated whenever a protocol migration appears on the port. There are two types of protocol migration: STP BPDU or RSTP BPDU.
- **nnRstGeneralEvent**— a notification that is generated for general events, for example, protocol up or protocol down events.
- **nnRstErrorEvent**— a notification that is generated for any error events, for example, memory or buffer failure, or protocol migration or new root or topology changes.

Use the following procedures to configure RSTP SNMP Traps when in RSTP operating mode.

---

## Enable RSTP SNMP traps

Use the following procedure to enable RSTP SNMP traps.

### Procedure

## 1. Enter Global Configuration mode:

```
enable
configure terminal
```

2. Enable RSTP SNMP Traps:

```
[no] spanning-tree rstp traps
```

---

## Reset RSTP SNMP traps settings to default

Use the following procedure to reset RSTP SNMP traps settings to default.

### Procedure

1. Enter Global Configuration mode:  

```
enable
```

```
configure terminal
```
2. Restore RSTP SNMP traps settings to default:  

```
default spanning-tree rstp traps
```

---

## Verifying RSTP SNMP traps settings

Use the following procedure to verify RSTP SNMP traps settings.

### Procedure

1. Enter Privileged EXEC mode:  

```
enable
```
2. Verify RSTP SNMP Traps settings:  

```
show spanning-tree rstp config
```

---

## Managing MSTP using CLI

Use the CLI commands described in this section to configure and manage Multiple Spanning Tree Protocol (MSTP).

### Note:

To configure MSTP, you must set the STP operational mode to MSTP. For more information, see [Configuring STP operation mode](#) on page 135

## Configuring MSTP parameters for CIST Bridge

Use the following procedure to set the MSTP parameters, which include maximum hop count, maximum number of instances allowed, forward delay time, hello time, maximum age time, default path cost version, priority, transmit hold count, and version for the CIST Bridge.

### Procedure

1. Enter Global Configuration mode:

```
enable
configure terminal
```

2. Configure MSTP parameters:

```
spanning-tree MSTP [max-hop <100 - 4000>][forward-time <4 - 30>]
[max-age <6 - 40>][pathcost-type {bits16 | bits32}] [priority {0000
| 1000 | 2000 | ... | F000}] [tx-holdcount <1 - 10>] [version {stp-
compatible | rstp| MSTP}] [add-vlan <1 - 4094>] [remove-vlan <1 -
4094>]
```

## Variable Definitions

Use the data in the following table to use the `spanning-tree MSTP` command.

| Variable                               | Value                                                                            |
|----------------------------------------|----------------------------------------------------------------------------------|
| max-hop <100 - 4000>                   | Set the MSTP maximum hop count for the CIST bridge; the default is 2000.         |
| forward-time <4 - 30>                  | Set the MSTP forward delay for the CIST bridge in seconds; the default is 15.    |
| max-age <6 - 40>                       | Set the MSTP maximum age time for the CIST bridge in seconds; the default is 20. |
| pathcost-type {bits16   bits32}        | Set the MSTP default path cost version; the default is bits32.                   |
| priority {0000   1000 2000 ...   F000} | Set the MSTP bridge priority for the CIST Bridge; the default is 8000.           |
| tx-holdcount<1 - 10>                   | Set the MSTP Transmit Hold Count; the default is 3.                              |
| version {stp-compatible   rstp   MSTP} | Set the MSTP version for the CIST Bridge; the default is MSTP.                   |
| add-vlan <1 - 4094>                    | Add a VLAN to the CIST bridge.                                                   |
| remove-vlan <1 - 4094>                 | Remove the specified VLAN from the CIST bridge.                                  |

## Configuring MSTP parameters for Common Spanning Tree

Use the following procedure to set the MSTP parameters, which include path cost, hello time, edge-port indicator, learning mode, point-to-point indicator, priority, and protocol migration indicator on the single or multiple ports for the Common Spanning Tree.



## Procedure

1. Enter Ethernet Interface Configuration mode:

```
enable
configure terminal
interface Ethernet <port>
```

2. Configure the MSTP parameters for Common Spanning Tree

```
spanning-tree MSTP [port <portlist>] [cost <1 - 200000000>][edge-
port {false | true}][hello-time <1 - 10>] [learning {disable |
enable}][p2p {auto | force-false | force-true}][priority {00 | 10 |
< | F0}] [protocol-migration {false | true}][instance-specific
<1-7>]
```

## Variable Definitions

Use the data in the following table to use the `spanning-tree MSTP` command.

| Variable                              | Value                                                                                                                                                          |
|---------------------------------------|----------------------------------------------------------------------------------------------------------------------------------------------------------------|
| port <portlist>                       | Enter a list or range of port numbers.                                                                                                                         |
| cost <1 - 200000000>                  | Set the MSTP path cost on the single or multiple ports for the CIST; the default is 200000.                                                                    |
| hello-time <1 - 10>                   | Set the MSTP hello time on the single or multiple ports for the CIST; the default is 2.                                                                        |
| edge-port {false   true}              | Indicate whether the single or multiple ports are assumed to be edge ports. This parameter sets the Admin value of edge port status; the default is false.     |
| learning {disable   enable}           | Enable or disable MSTP on the single or multiple ports; the default is enable.                                                                                 |
| p2p {auto   force-false   force-true} | Indicate whether the single or multiple ports are treated as point-to-point links. This command sets the Admin value of P2P Status; the default is force-true. |
| priority {00   10  ...   F0}          | Set the MSTP port priority on the single or multiple ports; the default is 80.                                                                                 |
| protocol-migration {false   true}     | Force the single or multiple ports to transmit MSTP BPDUs when set to true, while operating in MSTP mode; the default is false.                                |
| instance-specific <1-7>               | Set the MSTP instance-specific configuration in a range from 1–7 (filter on the MSTP instance).                                                                |

## Configuring MSTP region parameters

Use the following procedure to set the MSTP parameters, which include config ID selector, region name, and region version.

**Procedure**

1. Enter Global Configuration mode:

```
enable
configure terminal
```

2. Configure MSTP region parameters:

```
spanning-tree MSTP region [config-id-sel <0 - 255>] [region-name <1
- 32 chars>][region-version <0 - 65535>]
```

**Variable Definitions**

Use the data in the following table to use the `spanning-tree MSTP region` command.

| Variable                     | Value                                                            |
|------------------------------|------------------------------------------------------------------|
| [config-id-sel <0 - 255>]    | Set the MSTP config ID selector; the default is 0.               |
| [region-name <1 - 32 chars>] | Set the MSTP region name; the default is the bridge MAC address. |
| [region-version <0 - 65535>] | Set the MSTP region version; the default is 0.                   |

**Configuring MSTP parameters for bridge instance**

Use the following procedure to set the MSTP parameters, which include forward delay time, hello-time, maximum hop count, priority, and VLAN mapping for the bridge instance.

**Procedure**

1. Enter Global Configuration mode:

```
enable
configure terminal
```

2. Configure the MSTP parameters for the bridge instance:

```
spanning-tree MSTP MSTI <1 - 7> [priority{0000|1000|...|F000}] [add-
vlan <vid>] [remove-vlan <vid>] [enable]
```

**Variable Definitions**

Use the data in the following table to use the `spanning-tree MSTP MSTI` command.

| Variable                           | Value                                                               |
|------------------------------------|---------------------------------------------------------------------|
| <1 - 7>                            | Filter on MSTP instance.                                            |
| priority {0000   1000  ...   F000} | Set the MSTP priority for the bridge instance; the default is 8000. |
| add-vlan <1 - 4094>                | Map the specified Vlan and MSTP bridge instance.                    |
| remove-vlan <1 - 4094>             | Unmap the specified Vlan and MSTP bridge instance.                  |
| enable                             | Enable the MSTP bridge instances.                                   |

---

## Disabling a MSTP bridge instance

Use the following procedure to disable a MSTP bridge instance.

### Procedure

1. Enter Global Configuration mode:  

```
enable
configure terminal
```
2. Disable a MSTP bridge instance:  

```
no spanning-tree MSTP MSTI <1 - 7> enable
```

---

## Deleting a MSTP bridge instance

Use the following procedure to delete a MSTP bridge instance.

### Procedure

1. Enter Global Configuration mode:  

```
enable
configure terminal
```
2. Delete a MSTP bridge instance:  

```
no spanning-tree MSTP MSTI <1 - 7>
```

---

## Displaying MSTP status by selected bridge

Use the following procedure to display Multi Spanning Tree Protocol (MSTP) related status information known by the selected bridge.

### Procedure

1. Enter Privileged EXEC mode:  

```
enable
```
2. Display MSTP status by selected bridge:  

```
show spanning-tree MSTP {config | status | statistics}
```

## Variable Definitions

Use the data in the following table to use the `show spanning-tree MSTP` command.

| Variable   | Value                                                                                  |
|------------|----------------------------------------------------------------------------------------|
| config     | Display the MSTP-related bridge-level VLAN and region information.                     |
| status     | Display the MSTP-related bridge-level status information known by the selected bridge. |
| statistics | Display the MSTP-related bridge-level statistics.                                      |

---

## Displaying MSTP CIST port information

Use the following procedure to display the Multi Spanning Tree Protocol (MSTP) CIST Port information maintained by every port of the Common Spanning Tree.

### Procedure

1. Enter Privileged EXEC mode:

```
enable
```

2. Display MSTP CIST port information:

```
show spanning-tree MSTP port {config | role | statistics }
[<portlist>]
```

## Variable Definitions

Use the data in the following table to use the `show spanning-tree MSTP port` command.

| Variable   | Value                                                                                        |
|------------|----------------------------------------------------------------------------------------------|
| <portlist> | Enter a list or range of port numbers.                                                       |
| config     | Display the MSTP CIST port information maintained by every port of the Common Spanning Tree. |
| role       | Display MSTP CIST related port role information maintained by every port.                    |
| statistics | Display the MSTP CIST Port statistics maintained by every port.                              |

---

## Displaying MSTP MSTI settings

Use the following procedure to display MSTP MSTI settings.

### Procedure

1. Enter Global Configuration mode:

```
enable
```

```
configure terminal
```

2. Display the MSTP MSTI settings:

```
show spanning-tree MSTP MSTI [config] [statistics] [port {config |
role | statistics}] <1 - 7>
```

## Variable Definitions

Use the data in the following table to use the `show spanning-tree MSTP MSTI` command.

| Variable                          | Value                                                                                                                                                                                                                                                |
|-----------------------------------|------------------------------------------------------------------------------------------------------------------------------------------------------------------------------------------------------------------------------------------------------|
| config                            | Display the MSTP instance-specific configuration and the VLAN mapping port.                                                                                                                                                                          |
| statistics                        | Display MSTP instance-specific statistics.                                                                                                                                                                                                           |
| port {config   role   statistics} | Display MSTP instance-specific port information: <ul style="list-style-type: none"> <li>• config: Display MSTI port configuration</li> <li>• role: Display MSTI port role information</li> <li>• statistics: Display MSTI port statistics</li> </ul> |
| <1 - 7>                           | Specify the MSTI instance for which to display the statistics.                                                                                                                                                                                       |

# Chapter 12: ADAC configuration using CLI

You can configure ADAC-related settings using CLI.

---

## Configuring ADAC globally

Use the following procedure to configure ADAC for a switch.

### Procedure

1. Enter Global Configuration mode:

```
enable
configure terminal
```

2. Configure ADAC:

```
adac [enable] [op-mode <untagged-frames-basic | untagged-frames-advanced| tagged-frames>] [traps enable] [voice-vlan <1-4094>] [uplink-port {<portlist> | spbm}][call-server-port <portlist>]
```

### Example

```
Switch(config)#vlan create 25 type port voice-vlan
Switch(config)#adac enable op-mode tagged-frames voice-vlan 25 call-server-port 2
```

---

## Variable Definitions

Use the data in the following table to use the `adac` command.

| Variable                                                                                      | Value                                                                                                                                                                                                                                                                                                                          |
|-----------------------------------------------------------------------------------------------|--------------------------------------------------------------------------------------------------------------------------------------------------------------------------------------------------------------------------------------------------------------------------------------------------------------------------------|
| <code>enable</code>                                                                           | Enables ADAC on the switch.                                                                                                                                                                                                                                                                                                    |
| <code>op-mode &lt;untagged-frames-basic  untagged-frames-advanced   tagged-frames &gt;</code> | Sets the ADAC operation mode to one of the following: <ul style="list-style-type: none"><li>• <code>untagged-frames-basic</code>: IP Phones send untagged frames, and the Voice VLAN is not created.</li><li>• <code>untagged-frames-advanced</code>: IP Phones send untagged frames, and the Voice VLAN is created.</li></ul> |

*Table continues...*

| Variable                    | Value                                                                                          |
|-----------------------------|------------------------------------------------------------------------------------------------|
|                             | <ul style="list-style-type: none"> <li>tagged-frames: IP Phones send tagged frames.</li> </ul> |
| traps enable                | Enables ADAC trap notifications.                                                               |
| voice-vlan <1-4094>         | Sets the Voice VLAN ID. The assigned VLAN ID must first be created.                            |
| uplink-port <portlist>      | Configures a maximum of 8 ports as Uplink ports.                                               |
| spbm                        | Sets the Uplink over SPBM.                                                                     |
| call-server-port <portlist> | Configures a maximum of 8 ports as Call Server ports.                                          |

---

## Disabling ADAC globally

Use the following procedure to disable ADAC for a switch.

### Procedure

1. Enter Global Configuration mode:

```
enable
configure terminal
```

2. Disable or clear ADAC settings:

```
no adac [enable] [traps enable] [voice-vlan] [uplink-port] [call-
server-port]
```

---

## Variable Definitions

Use the data in the following table to use the `no adac` command.

| Variable         | Value                             |
|------------------|-----------------------------------|
| enable           | Disables ADAC on the switch.      |
| traps enable     | Disables ADAC trap notifications. |
| voice-vlan       | Clears the Voice VLAN ID.         |
| uplink-port      | Clears the Uplink ports.          |
| call-server-port | Clears Call Server ports.         |

---

## Restoring default ADAC settings

Use the following procedure to restore default ADAC settings on a device.

**Procedure**

1. Enter Global Configuration mode:

```
enable
configure terminal
```

2. Restore default ADAC settings:

```
default adac [enable] [op-mode] [traps enable] [voice-vlan] [uplink-
port] [call-server-port]
```

If you do not specify any of the following parameters in the `default adac` command, the command restores the default settings for all of these parameters.

**Variable Definitions**

Use the data in the following table to use the `default adac` command.

| Variable                      | Value                                                             |
|-------------------------------|-------------------------------------------------------------------|
| <code>enable</code>           | Restores the default ADAC administrative state (disabled).        |
| <code>call-server-port</code> | Restores the default Call Server port (none).                     |
| <code>op-mode</code>          | Restores the default ADAC operation mode (Untagged Frames Basic). |
| <code>traps enable</code>     | Restores the default state for ADAC notifications (enabled).      |
| <code>uplink-port</code>      | Restores the default Uplink port (none).                          |
| <code>voice-vlan</code>       | Restores the default Voice-VLAN ID (none).                        |

**Configuring per port ADAC settings**

Use the following procedure to configure per port ADAC for a device.

**Procedure**

1. Enter Ethernet Interface Configuration mode:

```
enable
configure terminal
interface Ethernet <port>
```

2. Configure per port ADAC settings:

```
adac [port <portlist>] {[enable] [tagged-frames-pvid (<1-4094>|no-
change)] [tagged-frames-tagging {tagAll|tagPvidOnly|untagPvidOnly|
no-change}]}
```



**Example**

```
Switch(config)#vlan create 25 type port voice-vlan
Switch(config)#adac enable op-mode tagged-frames voice-vlan 25 call-server-port 2
Switch(config)#interface ethernet all
Switch(config-if)#adac port 4-48 enable
```

## Variable Definitions

Use the data in the following table to use the `adac` command.

| Variable                                                                            | Value                                                                                                                                                                               |
|-------------------------------------------------------------------------------------|-------------------------------------------------------------------------------------------------------------------------------------------------------------------------------------|
| <code>port &lt;portlist&gt;</code>                                                  | Ports to which to apply the ADAC configuration.                                                                                                                                     |
| <code>enable</code>                                                                 | Enables ADAC on the port or ports listed.                                                                                                                                           |
| <code>tagged-frames-pvid &lt;1-4094&gt;   no-change</code>                          | Sets Tagged-Frames PVID on the port or ports listed. Use no-change to keep the current setting.                                                                                     |
| <code>tagged-frames-tagging tagAll   tagPvidOnly   untagPvidOnly   no-change</code> | Sets Tagged-Frames Tagging to <ul style="list-style-type: none"> <li>• tagAll</li> <li>• tagPvidOnly</li> <li>• untagPvidOnly</li> </ul> Use no-change to keep the current setting. |

## Disable ADAC settings per port

Use the following procedure to disable ADAC settings per port.

**Procedure**

1. Enter Ethernet Interface Configuration mode:

```
enable
configure terminal
interface Ethernet <port>
```

2. Disable ADAC settings per port:

```
no adac [port <portlist>] [enable]
```

## Variable Definitions

Use the data in the following table to use the `no adac` command.

| Variable        | Value                                      |
|-----------------|--------------------------------------------|
| port <portlist> | Ports for which to disable ADAC.           |
| enable          | Disables ADAC on the port or ports listed. |

---

## Configuring per port ADAC defaults for a specified port

Use the following procedure to configure per port ADAC defaults for a specified port.

### Procedure

1. Enter Ethernet Interface Configuration mode:

```
enable
configure terminal
interface Ethernet <port>
```

2. Configure per port ADAC defaults:

```
default adac [port <portlist>] [enable] [tagged-frames-pvid]
[tagged-frames-tagging]
```

---

## Variable Definitions

Use the data in the following table to use the `default adac` command.

| Variable              | Value                                                                               |
|-----------------------|-------------------------------------------------------------------------------------|
| port <portlist>       | Ports on which to apply the ADAC defaults.                                          |
| enable                | Restores the port to the default ADAC state: Disabled.                              |
| tagged-frames-pvid    | Restores Tagged-Frames PVID on the port or ports to the default setting: no-change. |
| tagged-frames-tagging | Restores Tagged-Frames Tagging to default setting: Untag PVID Only.                 |

---

## Configuring the autodetection method

Use the following procedure to configure the autodetection method, by MAC address or using LLDP (IEEE 802.1ab).

**Procedure**

1. Enter Ethernet Interface Configuration mode:

```
enable
configure terminal
interface Ethernet <port>
```

2. Configure the autodetection method:

```
adac detection [port <port-list>] {[mac][lldp]}
```

**Example**

```
Switch(config-if)#adac detection port all mac lldp
```

## Variable Definitions

Use the data in the following table to use the `adac detection` command.

| Variable        | Value                                                                  |
|-----------------|------------------------------------------------------------------------|
| port <portlist> | Specifies the port or ports for which to set the detection mode.       |
| mac             | Enables MAC-based detection. The default setting is MAC enabled.       |
| lldp            | Enables LLDP (802.1ab) detection. The default setting is LLDP enabled. |

## Disabling autodetection

Use the following procedure to turn off the autodetection method for either MAC address or LLDP.

**Procedure**

1. Enter Ethernet Interface Configuration mode:

```
enable
configure terminal
interface Ethernet <port>
```

2. Disable the autodetection method:

```
no adac detection [port <port-list>] {[mac][lldp]}
```

---

## Variable Definitions

Use the data in the following table to use the `no adac detection` command.

| Variable        | Value                                                                |
|-----------------|----------------------------------------------------------------------|
| port <portlist> | Specifies the port or ports for which to disable the detection mode. |
| mac             | Disables the MAC address detection mode.                             |
| lldp            | Disables the LLDP detection mode.                                    |

---

## Setting autodetection method to default

Use the following procedure to return the autodetection method to its defaults. The default is to have both MAC and LLDP enabled.

### Procedure

1. Enter Ethernet Interface Configuration mode:

```
enable
configure terminal
interface Ethernet <port>
```

2. Return the autodetection method to its defaults:

```
default adac detection [port <port-list>] {[mac][lldp]}
```

---

## Variable Definitions

Use the data in the following table to use the `default adac detection` command.

| Variable        | Value                                                                                     |
|-----------------|-------------------------------------------------------------------------------------------|
| port <portlist> | Specifies the port or ports to be returned to the default; both MAC and LLDP are enabled. |
| mac             | MAC is enabled by default.                                                                |
| lldp            | LLDP is enabled by default.                                                               |

---

## Configuring autodetection for a specified port

Use the following procedure to enable autodetection on specified ports.

### Procedure

1. Enter Ethernet Interface Configuration mode:

```
enable
configure terminal
interface Ethernet <port>
```

2. Enable autodetection:

```
adac port <port-list> enable
```

---

## Disabling autodetection on specified ports

Use the following procedure to disable autodetection on the specified port(s).

### Procedure

1. Enter Ethernet Interface Configuration mode:

```
enable
configure terminal
interface Ethernet <port>
```

2. Disable autodetection on specified ports:

```
no adac port <port-list> enable
```

---

## Restoring default ADAC setting for ports

Use the following procedure to restore the default ADAC setting (disabled) for the specified ports.

### Procedure

1. Enter Global Configuration mode:

```
enable
configure terminal
```

2. Restore the default ADAC setting for ports:

```
default adac [port <port-list>] enable
```

---

## Adding a range of MAC addresses for autodetection

Use the following procedure to add a specified range to the table of MAC addresses recognized as IP phones by the autodetection process.

### Procedure

1. Enter Global Configuration mode:

```
enable
configure terminal
```

2. Add a range of addresses:

```
adac mac-range-table low-end <MACaddress> high-end <MACaddress>
```

---

## Deleting a range of MAC addresses used by autodetection

Use the following procedure to delete an existing MAC address range used by the autodetection process. If the low-end and high-end MAC address values are not provided, the switch deletes all existing MAC address ranges from the switch.

### Procedure

1. Enter Global Configuration mode:

```
enable
configure terminal
```

2. Delete a range of addresses:

```
no adac mac-range-table low-end <MACaddress> high-end <MACaddress>
```

---

## Resetting supported MAC address ranges

Use the following procedure to restore all supported MAC address ranges on the switch to their default values.

### Procedure

1. Enter Global Configuration mode:

```
enable
configure terminal
```

2. Restore all supported MAC address ranges to their default values:

```
default adac mac-range-table
```

---

## Displaying global ADAC settings for a device

Use the following procedure to display global ADAC settings for a device.

### Procedure

1. Enter Privileged EXEC mode:

```
enable
```

2. Display settings:

```
show adac
```

---

## Displaying ADAC settings per port

Use the following procedure to display ADAC settings per port.

### Procedure

1. Enter Privileged EXEC mode:

```
enable
```

2. Display ADAC settings per port:

```
show adac interface <interface-type> <LINE>
```

### Example

```
Switch#show adac interface ethernet 1-5
Port Type Auto Oper Auto
----- -
1 Type Detection State Configuration T-F PVID T-F Tagging
----- -
1 Type Disabled Disabled Not Applied No Change Untag PVID Only
2 Type Disabled Disabled Not Applied No Change Untag PVID Only
3 Type Disabled Disabled Not Applied No Change Untag PVID Only
4 Type Disabled Disabled Not Applied No Change Untag PVID Only
5 Type Disabled Disabled Not Applied No Change Untag PVID Only
```

---

## Variable Definitions

Use the data in the following table to use the command.

| Variable | Value                                                      |
|----------|------------------------------------------------------------|
| <LINE>   | Specifies the list of ports for which to display settings. |

---

## Displaying configured ADAC MAC ranges

Use the following procedure to display the ADAC MAC ranges configured on the switch.

### Procedure

1. Enter Privileged EXEC mode:  
`enable`
2. Display the ADAC MAC ranges:  
`show adac mac-range-table`

---

## Displaying detection mechanism configured per port

Use the following procedure to display the detection mechanism configured per port.

### Procedure

1. Enter Privileged EXEC mode:  
`enable`
2. Display the detection mechanism configured per port:  
`show adac detection interface [<interface-type>][<interface-id>]`

---

## Enabling ADAC uplink over SPBM

Use this procedure to enable ADAC uplink over SPBM.

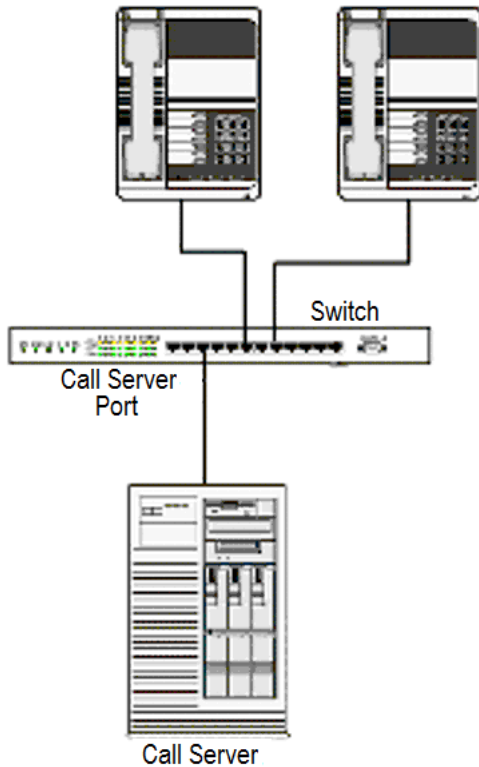
### Procedure

1. Enter Global Configuration mode:  
`enable`  
`configure terminal`
2. Enable ADAC uplink over SPBM:  
`adac uplink-port spbm`



## ADAC UFA configuration example

The following figure is an example of ADAC configured in Untagged-Frames-Advanced (UFA) op-mode. (Call-server-port is used in this example, because the server is directly connected to the switch.)



**Figure 38: ADAC UFA configuration example**

Auto-Configuration (AC) is applied for call-server-port and telephony ports. On telephony ports, AC is applied only when IP phones are detected. (Autodetection is based on MAC Address.) VLAN configuration is made according to the selected op-mode (UFA):

- Telephony port:
  - Membership = remove from all other VLANs, and add to Voice-VLAN (since there is no reason for the port to be member of more than the Voice VLAN)
  - Tagging = Untagged
  - PVID = Voice-VLAN
- Call Server port:
  - Membership = add to Voice-VLAN
  - Tagging = Untagged

- PVID = Voice-VLAN

To configure the example shown in the preceding figure, you must perform the following tasks:

1. Configure the call-server port.
2. Configure voice-VLAN.
3. Configure Untagged-Frames-Advanced (UFA) op-mode.
4. Enable ADAC on all ports to which IP phones connect.
5. Configure IP phones to send untagged traffic.

## ADAC CLI configuration commands

The following section describes the detailed CLI commands required to carry out the configuration shown in [Figure 38: ADAC UFA configuration example](#) on page 169.

```
Switch(config)#vlan create 2 type port voice-vlan
Switch(config)#adac call-server-port 7
Switch(config)#adac voice-vlan 2
Switch(config)#adac enable op-mode untagged-frames-advanced
Switch(config)#interface Ethernet all
Switch(config-if)#interface Ethernet 16,24
Switch(config-if)#adac enable
```

## Verifying new ADAC settings

The following section includes commands used to view ADAC configuration settings and the expected responses for each.

### Auto configuration settings

```
Switch(config)# show adac interface 7,16,24
```

| Port | Auto-Detection | Auto-Configuration |
|------|----------------|--------------------|
| 7    | Disabled       | Applied            |
| 16   | Enabled        | Applied            |
| 24   | Enabled        | Applied            |

### VLAN settings

```
Switch (config)#show vlan
```

| Id  | Name  | Type  | Protocol | User  | PID   | Active | IVL/SVL | Mgmt  |
|-----|-------|-------|----------|-------|-------|--------|---------|-------|
| --- | ----- | ----- | -----    | ----- | ----- | -----  | -----   | ----- |

*Table continues...*

```

1 VLAN #1 Port None 0x0000 Yes IVL
Yes Port Members: 1-15,17-23
2 Voice_VLAN Port None 0x0000 Yes IVL
No Port Members: 7,16,24

```

Switch(config)#show vlan interface info 7,16,24

| Filter | Filter | Untagged | Unregistered | Port | Frames   | Frames  | PVID | PRI | Tagging | Name |
|--------|--------|----------|--------------|------|----------|---------|------|-----|---------|------|
| 7      | No     | Yes      | 2            | 0    | UntagAll | Port 7  |      |     |         |      |
| 16     | No     | Yes      | 2            | 0    | UntagAll | Port 16 |      |     |         |      |
| 24     | No     | Yes      | 2            | 0    | UntagAll | Port 24 |      |     |         |      |

**ADAC settings**

Switch#show running-config module adac

```

! Embedded ASCII Configuration Generator Script
! Base model = Ethernet Routing Switch
! Base Software version = vx.x.x.xxx
! Stack info:
!Unit# Switch Model Pluggable Pluggable Pluggable Pluggable SW
Version
! Port Port Port Port
!-----
!1 <Switch#> (21) None (22) None (23) None (24) None
vx.x.x.xxx
!2 <Switch#> (21) None (22) None (23) None (24) None
vx.x.x.xxx
! (25) None (26) None
!
! Displaying only parameters different to default
!=====
enable
configure terminal
!
! *** ADAC ***
!
adac voice-vlan 101
adac uplink-port 2/25,2/26
adac op-mode tagged-frames
adac enable

```

Switch#show running-config verbose module adac

```

! Embedded ASCII Configuration Generator Script
! Base model = Ethernet Routing Switch
! Base Software version = vx.x.x.xxx
! Stack info:
!Unit# Switch Model Pluggable Pluggable Pluggable Pluggable SW
Version
! Port Port Port Port
!-----

```

*Table continues...*

## ADAC configuration using CLI

```

!1 <Switch#> (21) None (22) None (23) None (24) None
vx.x.x.xxx
!2 <Switch#> (21) None (22) None (23) None (24) None
vx.x.x.xxx
!
! (25) None (26) None
!
! Displaying all switch parameters
!=====
enable
configure terminal
!
! *** ADAC ***
!
no adac enable
no adac mac-range-table
interface Ethernet ALL
adac detection port 1/1-24,2/1-26 mac
adac detection port 1/1-24,2/1-26 lldp
exit
adac mac-range-table low-end 00-0A-E4-01-10-20 high-end 00-0A-E4-01-23-
A7
adac mac-range-table low-end 00-0A-E4-01-70-EC high-end 00-0A-
E4-01-84-73
adac mac-range-table low-end 00-0A-E4-01-A1-C8 high-end 00-0A-E4-01-
AD-7F
adac mac-range-table low-end 00-0A-E4-01-DA-4E high-end 00-0A-E4-01-ED-
D5
adac mac-range-table low-end 00-0A-E4-02-1E-D4 high-end 00-0A-
E4-02-32-5B
adac mac-range-table low-end 00-0A-E4-02-5D-22 high-end 00-0A-E4-02-70-
A9
adac mac-range-table low-end 00-0A-E4-02-D8-AE high-end 00-0A-E4-02-FF-
BD
adac mac-range-table low-end 00-0A-E4-03-87-E4 high-end 00-0A-
E4-03-89-0F
adac mac-range-table low-end 00-0A-E4-03-90-E0 high-end 00-0A-E4-03-B7-
EF
adac mac-range-table low-end 00-0A-E4-04-1A-56 high-end 00-0A-
E4-04-41-65
adac mac-range-table low-end 00-0A-E4-04-80-E8 high-end 00-0A-E4-04-A7-
F7
adac mac-range-table low-end 00-0A-E4-04-D2-FC high-end 00-0A-
E4-05-48-2B
adac mac-range-table low-end 00-0A-E4-05-B7-DF high-end 00-0A-E4-06-05-
FE
adac mac-range-table low-end 00-0A-E4-06-55-EC high-end 00-0A-
E4-07-19-3B
adac mac-range-table low-end 00-0A-E4-08-0A-02 high-end 00-0A-
E4-08-7F-31
adac mac-range-table low-end 00-0A-E4-08-B2-89 high-end 00-0A-E4-09-75-
D8
adac mac-range-table low-end 00-0A-E4-09-BB-9D high-end 00-0A-E4-09-
```

```

CF-24
adac mac-range-table low-end 00-0A-E4-09-FC-2B high-end 00-0A-
E4-0A-71-5A
adac mac-range-table low-end 00-0A-E4-0A-9D-DA high-end 00-0A-
E4-0B-61-29
adac mac-range-table low-end 00-0A-E4-0B-BB-FC high-end 00-0A-E4-0B-
BC-0F
adac mac-range-table low-end 00-0A-E4-0B-D9-BE high-end 00-0A-
E4-0C-9D-0D
adac mac-range-table low-end 00-13-65-FE-F3-2C high-end 00-13-65-FF-
ED-2B
adac mac-range-table low-end 00-15-9B-FE-A4-66 high-end 00-15-9B-FF-24-
B5
adac mac-range-table low-end 00-16-CA-00-00-00 high-end 00-16-CA-01-FF-
FF
adac mac-range-table low-end 00-16-CA-F2-74-20 high-end 00-16-CA-F4-
BE-0F
adac mac-range-table low-end 00-17-65-F6-94-C0 high-end 00-17-65-F7-38-
CF
adac mac-range-table low-end 00-17-65-FD-00-00 high-end 00-17-65-FF-FF-
FF
adac mac-range-table low-end 00-18-B0-33-90-00 high-end 00-18-B0-35-DF-
FF
adac mac-range-table low-end 00-19-69-83-25-40 high-end 00-19-69-85-5F-
FF
adac voice-vlan 101
no adac call-server-port
adac uplink-port 2/25,2/26
adac op-mode tagged-frames
adac enable

```

Where, <Switch#> is the switch model and vx.x.x.xxx is the software version installed on the switch.

# Chapter 13: LACP and VLACP configuration using CLI

The CLI commands in this section help you to create and manage Link Aggregation Control Protocol (LACP) and Virtual LACP (VLACP).

---

## Configuring LACP using CLI

This section describes the procedures necessary to configure and manage Link Aggregation using the Command Line Interface (CLI).

---

## Displaying LACP settings

Use the following procedure to display system-wide LACP settings.

### Procedure

1. Enter Privileged EXEC mode:  
`enable`
2. Display system-wide LACP settings:  
`show lacp system`

---

## Displaying per port LACP configuration information

Use the following procedure to display per port LACP configuration information.

### Procedure

1. Enter Privileged EXEC mode:  
`enable`
2. Display per port LACP configuration information:  
`show lacp port [<portList> | aggr <1-65535>]`

## Variable Definitions

Use the data in the following table to use the `show lacp port` command.

| Variable       | Value                                                               |
|----------------|---------------------------------------------------------------------|
| <portList>     | Enter the specific ports for which to display LACP information.     |
| aggr <1-65535> | Enter the Aggregator value to display ports that are members of it. |

---

## Displaying LACP port statistics

Use the following procedure to display LACP port statistics.

### Procedure

1. Enter Privileged EXEC mode:  

```
enable
```
2. Display LACP port statistics:  

```
show lacp stats [<portList> | aggr <1-65535>]
```

## Variable Definitions

Use the data in the following table to use the `show lacp stats` command.

| Variable       | Value                                                               |
|----------------|---------------------------------------------------------------------|
| <portList>     | Enter the specific ports for which to display LACP information.     |
| aggr <1-65535> | Enter the Aggregator value to display ports that are members of it. |

---

## Configuring LACP port-mode

### About this task

Use the following procedure to configure the LACP port-mode.

### Procedure

1. Enter Global Configuration mode:  

```
enable
```

```
configure terminal
```
2. To configure the mode, use the following command:  

```
lacp port-mode [advance] | [default]
```
3. **(Optional)** To reset the mode to default value, use the following command:  

```
default lacp port-mode
```

4. **(Optional)** To display the switch LACP port mode, use the following command:

```
show lacp port-mode
```

## Variable Definitions

Use the data in the following table to use the `lacp port-mode` command.

| Variable | Value                                                                                                                                                                                                                                                                                                                                                                                                                                                                                                                                                                                                 |
|----------|-------------------------------------------------------------------------------------------------------------------------------------------------------------------------------------------------------------------------------------------------------------------------------------------------------------------------------------------------------------------------------------------------------------------------------------------------------------------------------------------------------------------------------------------------------------------------------------------------------|
| advance  | <p>Specifies advance mode for LACP-enabled switch ports. In advance mode, when a local switch port has LACP enabled and STP disabled, and the port is connected to non-LACP partner port, if the link with the partner fails, the local LACP-enabled port remains in the Blocking state.</p> <p>In advance mode, when a local LACP-enabled switch port is removed from a trunk configuration because LACP is disabled on the link partner, or PDU reception times out, the local LACP-enabled port remains in the Blocking state.</p>                                                                 |
| default  | <p>Specifies default mode for LACP-enabled switch ports. In default mode, when a local LACP-enabled switch port is connected to a non-LACP partner port, and the link to the partner fails to converge, the LACP-enabled port state changes to Forwarding.</p> <p>In default mode, when a local LACP-enabled switch port is removed from a trunk configuration because LACP is disabled on the link partner, or PDU reception times out, the local LACP-enabled port functions as a standalone port. The port state is determined by STP, if STP is enabled, or by Forwarding if STP is disabled.</p> |

## Configuring LACP mode of operation

Use the following procedure to configure the LACP mode of operations for a set of ports.

### Procedure

1. Enter Ethernet Interface Configuration mode:

```
enable
configure terminal
interface Ethernet <port>
```

2. To configure the mode, use the following command:

```
lacp mode [active] | [off] | [passive]
```


3. **(Optional)** To configure the default mode, use the following command:

```
default lacp mode [port <portList>]
```

## Variable definitions

Use the data in the following table to use the `lacp mode` command.



| Variable                 | Value                                                                                                                                                                                                                                                                                                                                                                                                                                                                                                                                                                                                                                                                                                                                                      |
|--------------------------|------------------------------------------------------------------------------------------------------------------------------------------------------------------------------------------------------------------------------------------------------------------------------------------------------------------------------------------------------------------------------------------------------------------------------------------------------------------------------------------------------------------------------------------------------------------------------------------------------------------------------------------------------------------------------------------------------------------------------------------------------------|
| default                  | Restores the LACP mode for the selected port or ports to the default value.<br>DEFAULT: off                                                                                                                                                                                                                                                                                                                                                                                                                                                                                                                                                                                                                                                                |
| port <portList>          | Specifies a port or list of ports.                                                                                                                                                                                                                                                                                                                                                                                                                                                                                                                                                                                                                                                                                                                         |
| {active   passive   off} | Specifies the LACP mode for the selected port or ports. Values include: <ul style="list-style-type: none"> <li>• active—The port or ports periodically send LACP PDUs to the far-end partner to negotiate for link aggregation.</li> <li>• passive—The port or ports send LACP PDUs to the far-end partner only when there is a configuration change, or in response to communication from the partner.</li> <li>• off—The port or ports do not participate in link aggregation.</li> </ul> <p> <b>Note:</b><br/>LACP requires at least one end of each link to be in active mode for a LAG to function. For example, set one end as passive and the other as active.</p> |

---

## Clearing LACP port statistics

Use the following procedure to clear LACP port statistics.

### Procedure

1. Enter Ethernet Interface Configuration mode:

```
enable
configure terminal
interface Ethernet <port>
```

2. Clear LACP port statistics:

```
lacp clear-stats <portList>
```

---

## Displaying port debug information

Use the following procedure to display port debug information.

**Procedure**

1. Enter Privileged EXEC mode:  
`enable`
2. Display port debug information:  
`show lacp debug member [<portList>]`

**Variable Definitions**

Use the data in the following table to use the `show lacp debug member` command.

| Variable   | Value                                                            |
|------------|------------------------------------------------------------------|
| <portList> | Enter the specific ports for which to display debug information. |

**Displaying LACP aggregators or LACP trunks**

Use the following procedure to display LACP aggregators or LACP trunks.

**Procedure**

1. Enter Privileged EXEC mode:  
`enable`
2. Display LACP aggregators or trunks:  
`show lacp aggr <1-65535>`

**Configuring LACP system priority**

Use the following procedure to set the system-wide LACP priority. The factory default priority value is 32768.

**Procedure**

1. Enter Global Configuration mode:  
`enable`  
`configure terminal`
2. To set the priority, use the following command:  
`lacp system-priority <0-65535>`
3. To reset the priority level to default, use the following command:  
`default lacp system-priority`

---

## Enabling port aggregation mode

Use the following procedure to enable the port aggregation mode.

### Procedure

1. Enter Ethernet Interface Configuration mode:
 

```
enable
configure terminal
interface Ethernet <port>
```
2. To enable the aggregation mode, use the following command:
 

```
lacp aggregation [port <portList>] enable
```
3. To reset the aggregation mode to default, use the following command:
 

```
default lacp aggregation
```

## Variable Definitions

Use the data in the following table to use the `lacp aggregation` command.

| Variable   | Value                                                         |
|------------|---------------------------------------------------------------|
| <portList> | Specifies the ports for which to enable the aggregation mode. |

---

## Disabling port aggregation mode

Use the following procedure to disable the port aggregation mode.

### Procedure

1. Enter Ethernet Interface Configuration mode:
 

```
enable
configure terminal
interface Ethernet <port>
```
2. Disable the port aggregation mode:
 

```
no lacp aggregation [port <portList>] enable
```

---

## Configuring administrative LACP key

Use the following procedure to configure the administrative LACP key for a set of ports.

**Procedure**

1. Enter Ethernet Interface Configuration mode:  

```
enable
configure terminal
interface Ethernet <port>
```
2. To configure the administrative LACP key, use the following command:  

```
lacp key [port <portList>] <1-4095>
```
3. To reset the LACP key value to default, use the following command:  

```
default lacp key
```

**Variable Definitions**

Use the data in the following table to use the `lacp key` command.

| Variable        | Value                                    |
|-----------------|------------------------------------------|
| port <portList> | The ports to configure the LACP key for. |
| <1-4095>        | The LACP key to use.                     |

**Configuring per port LACP priority**

Use the following procedure to configure the per-port LACP priority for a set of ports.

**Procedure**

1. Enter Ethernet Interface Configuration mode:  

```
enable
configure terminal
interface Ethernet <port>
```
2. To configure the priority, use the following command:  

```
lacp priority [port <portList>] <0-65535>
```
3. To reset the priority to default, use the following command:  

```
default lacp priority [port <portList>]
```

**Variable Definitions**

Use the data in the following table to use the `lacp priority` command.

| Variable        | Value                                           |
|-----------------|-------------------------------------------------|
| port <portList> | The ports for which to configure LACP priority. |
| <0-65535>       | The priority value to assign.                   |

## Configuring LACP periodic transmission timeout interval

Use the following procedure to configure the LACP periodic transmission timeout interval for a set of ports.

### Procedure

1. Enter Ethernet Interface Configuration mode:

```
enable
configure terminal
interface Ethernet <port>
```

2. To configure the timeout, use the following command:

```
lacp timeout-time [port <portList>] {long | short}
```

3. To reset the timeout value to default, use the following command:

```
default lacp timeout-time [port <portList>]
```

### Variable Definitions

Use the data in the following table to use the `lacp timeout-time` command.

| Variable        | Value                                                  |
|-----------------|--------------------------------------------------------|
| port <portList> | The ports for which to configure the timeout interval. |
| {long   short}  | Specify the long or short timeout interval.            |

## Configuring Static LACP Key to Trunk ID binding

Use the following procedures to configure and manage Static LACP Key to Trunk ID binding using CLI.

### \* Note:

Partner configuration is also required. The local ports do not aggregate if the remote ends of the links are not part of a similar configuration.

### Binding an LACP key to a specific trunk ID

Use this procedure to bind an LACP key to a specific MLT ID.

**Procedure**

1. Enter Global Configuration mode:

```
enable
```

```
configure terminal
```

2. At the command prompt, enter the following command:

```
lacp key <1-4095> mlt-id <1-32>
```

**Example**

The following is an example of key binding using CLI interface:

```
Switch>enable
Switch#configure terminal
Enter configuration commands, one per line. End with CNTL/Z.
Switch(config)#lacp key 11 mlt-id 11
```

**Variable Definitions**

| Variable | Value                |
|----------|----------------------|
| <1-4095> | The LACP key to use. |
| <1-32>   | The MLT ID.          |

**Deleting an LACP key binding to a trunk ID**

Use this procedure to delete an LACP key binding to a trunk ID.

**Procedure**

1. Enter Global Configuration mode:

```
enable
```

```
configure terminal
```

2. At the command prompt, enter the following command:

```
default lacp key <1-4095>
```

**\* Note:**

The MLT ID for the defaulted LACP key becomes 0.

**Variable Definitions**

| Variable | Value                |
|----------|----------------------|
| <1-4095> | The LACP key to use. |

**Displaying LACP key bindings to trunk IDs**

Use this procedure to display LACP key bindings to trunk IDs.

**Procedure**

1. Enter Privileged EXEC mode:  
`enable`
2. Use the following command to display all LACP key bindings:  
`show lacp key`
3. Use the following command to display a specific LACP binding:  
`show lacp key <1-4095>`

**Variable Definitions**

| Variable | Value                |
|----------|----------------------|
| <1-4095> | The LACP key to use. |

## Configuring VLACP using CLI

To configure VLACP using CLI, see the following procedures:

**!** **Important:**

When you set VLACP parameters for a trunk port, the settings are applied to all trunk members.

## Enabling VLACP

Use the following procedure to globally enable VLACP for a device.

**Procedure**

1. Enter Global Configuration mode:  
`enable`  
`configure terminal`
2. Enable VLACP:  
`vlACP enable`

## Configuring multicast MAC address for VLACP

Use the following procedure to set the multicast MAC address used by the device for VLACPDUs.

**Procedure**

1. Enter Global Configuration mode:

- ```
enable
configure terminal
```
2. Configure the address:

```
vlacp macaddress <macaddress>
```

Variable Definitions

Use the data in the following table to use the `vlacp macaddress` command.

Variable	Value
<macaddress>	Specifies the multicast MAC address.

Configuring VLACP parameters per port

Use the following procedure to configure VLACP parameters per port.

Procedure

1. Enter Ethernet Interface Configuration mode:

```
enable
configure terminal
interface Ethernet <port>
```
2. Configure VLACP parameters:

```
vlacp port <slot/port> [enable] [timeout <long/short>] [fast-
periodic-time <integer>] [slow-periodic-time <integer>] [timeout-
scale <integer>] [funcmac-addr <mac>] [ethertype <hex>]
```

Variable Definitions

Use the data in the following table to use the `vlacp port` command.

Variable	Value
<slot/port>	Specifies the slot and port number.
enable	Enables VLACP.
timeout <long/short>	Specifies whether the timeout control value for the port is a long or short timeout. <ul style="list-style-type: none"> • long— sets the port timeout value to: (timeout-scale value) × (slow-periodic-time value). • short— sets the port's timeout value to: (timeout-scale value) × (fast-periodic-time value).

Table continues...

Variable	Value
	<p>For example, if the timeout is set to short while the timeout-scale value is 5 and the fast-periodic-time value is 500 ms, the timer expires after 2500 ms.</p> <p>Default is long.</p>
fast-periodic-time <integer>	<p>Specifies the number of milliseconds between periodic VLACPDU transmissions using short timeouts.</p> <p>The range is 400-20000 milliseconds. Default is 500.</p>
slow-periodic-time <integer>	<p>Specifies the number of milliseconds between periodic VLACPDU transmissions using long timeouts.</p> <p>The range is 10000-30000 milliseconds. Default is 30000.</p>
timeout-scale <integer>	<p>Sets a timeout scale for the port, where timeout = (periodic time) × (timeout-scale).</p> <p>The range is 1-10. Default is 3.</p> <p>* Note:</p> <p>When you use fast-timers, you do not use a timeout-scale of 1, because this breaks the link continuity from service due to the time taken to transmit VLACPDU and for the partner to provide a corresponding response. You should set the minimum timeout-scale to 3.</p> <p>You should use the minimum setting of 5 for the timeout-scale when using the fast-periodic-timer of 500 ms.</p>
funcmac-addr <mac>	<p>Specifies the address of the far-end switch/stack configured to be the partner of this switch/stack. If none is configured, any VLACP-enabled switch communicating with the local switch through VLACP PDUs is considered to be the partner switch.</p> <p>* Note:</p> <p>VLACP has only one multicast MAC address, configured using the vlacp macaddress command, which is the Layer 2 destination address used for the VLACPDUs. The port-specific funcmac-addr parameter does not specify a multicast MAC address, but instead specifies the MAC address of the switch or stack to which this port is sending VLACPDUs. You are not always required to configure funcmac-addr. If not configured, the first VLACP-enabled switch that receives the PDUs from a unit assumes that it is the intended recipient and processes the PDUs accordingly.</p> <p>If you want an intermediate switch to drop VLACP packets, configure the funcmac-addr parameter to the</p>

Table continues...

Variable	Value
	desired destination MAC address. With <code>funcmac-addr</code> configured, the intermediate switches do not misinterpret the VLACP packets.
<code>ethertype <hex></code>	Sets the VLACP protocol identification for this port. Defines the ethertype value of the VLACP frame. The range is 8101-81FF. Default is 8103.

Disabling VLACP

Use the following procedure to disable VLACP for a device.

Procedure

1. Enter Global Configuration mode:

```
enable
configure terminal
```

2. Disable VLACP:

```
no vlacp enable
```

Resetting multicast MAC address for VLACP to default

Use the following procedure to reset the multicast MAC address used by the device for VLACPDUs to the default value (01:80:c2:00:11:00).

Procedure

1. Enter Global Configuration mode:

```
enable
configure terminal
```

2. Reset the address to default:

```
no vlacp macaddress
```

Disabling VLACP on a port

Use the following procedure to disable VLACP on a port.

Procedure

1. Enter Global Configuration mode:

```
enable
```

```
configure terminal
```

2. Disable VLACP:

```
no vlacp <slot/port> [enable] [funcmac-addr]
```

Variable Definitions

Use the data in the following table to use the `no vlacp` command.

Variable	Value
<slot/port>	Specifies the slot and port number.
enable	Disables VLACP on the specified port.
funcmac-addr	Sets the funcmac-addr parameter to the default value.

Displaying VLACP status

Use the following procedure to display the status of VLACP on a switch.

Procedure

1. Enter Privileged EXEC mode:

```
enable
```

2. Display the status

```
show vlacp
```

Displaying VLACP configuration details for ports

Use the following procedure to display the VLACP configuration details for a port or list of ports.

Procedure

1. Enter Privileged EXEC mode:

```
enable
```

2. Display VLACP configuration details:

Among other properties, the `show vlacp interface` command displays a column called `HAVE PARTNER`, with possible values of `yes` or `no`.

If `HAVE PARTNER` is `yes` when `ADMIN ENABLED` and `OPER ENABLED` are `true`; then that port has received VLACPDUs from a port, and those PDUs were recognized as valid, according to the interface settings.

If `HAVE PARTNER` is `no` when `ADMIN ENABLED` and `OPER ENABLED` are `true`; then that port did not yet receive any VLACPDUs.

If `HAVE PARTNER` is `no` when `ADMIN ENABLED` is `true` and `OPER ENABLED` is `FALSE`; then the partner for that port is down (that port received at least one correct VLACPDU, but did not receive additional VLACPDUs within the configured timeout period). In this case VLACP blocks the port.

The `show vlacp interface` command is in the `privExec` command mode.

As long as the VLACP functional address for a specific interface is not changed when using the `(config-if)# vlacp port x funcmac-addr H.H.H` command, the MAC address is displayed as `00:00:00:00:00:00`. The MAC address used for sending VLACP PDUs for an interface is the global VLACP MAC address (`01:80:c2:00:11:00`). The VLACP global destination MAC can be specified by the user. Setting a `func-mac-addr` on an interface displays that address in the `show vlacp interface` instead of `00:00:00:00:00:00`.

Chapter 14: VLAN Configuration using Enterprise Device Manager

This chapter describes how to create and manage a VLAN using Enterprise Device Manager (EDM).

VLAN management using EDM

Use the information in this section to view, create, and manage VLAN configurations for a switch or stack.

Viewing VLAN information using EDM

Use this procedure to display VLAN configuration information for a switch or stack.

Procedure steps

1. From the navigation tree, choose **VLAN**.
2. Double-click **VLANS**.
3. In the work area, click the **Basic** tab.

Variable definitions

Use the data in this table to help you understand the VLAN display.

Variable	Value
Id	Indicates the VLAN ID for the VLAN.
Name	Indicates the name of the VLAN.
IfIndex	Indicates the interface index.
Type	Indicates the VLAN type as defined by the policy used to define the VLAN port membership. Values include: <ul style="list-style-type: none">• byPort—VLAN by Port• byProtocolId—VLAN by Protocol ID• spbm-bvlan — SPBM B-VLAN

Table continues...



Variable	Value
	<ul style="list-style-type: none"> • spbm-switchedUni — SPBM switched UNI VLAN • private — Private VLAN
SecondaryVlanId	Specifies the VLAN ID for the Secondary VLAN. Enter an unused VLAN ID.
VoiceEnabled	Indicates whether VLAN is a voice VLAN (true) or not (false).
SpbmMcast	Indicates whether IP Shortcut multicast routing is enabled or disabled on the VLAN.
RspanEnabled	Indicates whether VLAN is an RSPAN VLAN (true) or not (false).
I-sid	Indicates the VLAN I-SID ID.
Secondary I-sid	Specifies the secondary VLAN I-SID ID.
PortMembers	Indicates the ports that are members of the VLAN.
ActiveMembers	Indicates the ports that are currently active in the VLAN. Active ports include all static ports and any dynamic ports where the VLAN policy was met.
StgId	<p>Indicates the STG to which the selected VLAN belongs.</p> <p> Important:</p> <p>This column is available only when the Spanning Tree administration operating mode is STG mode. When the operating mode is MSTP or RSTP, this column is not available.</p>
MstpInstance	<p>Indicates the MSTP instance associated with the VLAN. Values include:</p> <ul style="list-style-type: none"> • none • cist • msti-1-7 <p> Important:</p> <p>This column is available only when the switch is operating in the MSTP mode.</p>
ProtocolId	<p>Indicates the protocol identifier for the VLAN. The protocol ID is significant only when the VLAN type is <i>byProtocolId</i>. Values include:</p> <ul style="list-style-type: none"> • ip • ipx802dot3 • ipx802dot2 • ipxSnap • ipxEthernet2 • appleTalk • decLat • decOtherEther2 • sna802dot2

Table continues...

Variable	Value
	<ul style="list-style-type: none"> • snaEthernet2 • netBios • xns • vines • ipv6 • usrDefined • rarp
UserDefinedPid	Indicates the user defined protocol identifier for a protocol based VLAN.
Encap	Indicates the encapsulation type for user defined protocol based VLANs only. Values include: <ul style="list-style-type: none"> • ethernet2 • llc • snap By default there is no value in this cell.
MacAddress	Indicates the MAC address associated with the VLAN.
Routing	Indicates whether routing is enabled (true) or disabled (false) for the VLAN.

Modifying an existing VLAN in STG mode using EDM

Use this procedure to modify the configuration of an existing VLAN when the Spanning Tree administration operating mode is stpg.

Prerequisites

- Select stpg for the Spanning Tree administration mode.

Procedure steps

1. From the navigation tree, double-click **VLAN**.
2. Double-click **VLANs**.
3. In the work area, click the **Basic** tab.
4. To select a VLAN to edit, click the VLAN ID.
5. In the VLAN row, double-click the cell in the **Name** column.
6. Type a character string to assign a unique name to the VLAN.
7. In the VLAN row, double-click the cell in the **VoiceEnabled** column.
8. Select a value from the list—**true** to specify the VLAN is a Voice VLAN, or **false** to specify the VLAN is not a Voice VLAN.
9. In the VLAN row, double-click the cell in the **SpbMcast** column.
10. Select a value from the list—**enable** to enable IP Shortcut multicast routing or **disable** to disable IP Shortcut multicast routing on the VLAN.

11. In the VLAN row, double-click the cell in the **RspanEnabled** column.
 12. Select a value from the list—**true** to specify the VLAN is an RSPAN VLAN, or **false** to specify the VLAN is not an RSPAN VLAN.
 13. In the VLAN row, double-click the cell in the **I-sid** column.
 14. Type a value to specify the VLAN I-sid Id.
 15. In the VLAN row, double-click the cell in the **PortMembers** column.
 16. Select ports to add to the VLAN.
- OR**
- Deselect ports to remove them from the VLAN.
17. Click **Ok** .
 18. In the VLAN row, double-click the cell in the **StgId** column.
 19. Type a value.
 20. In the VLAN row, double-click the cell in the **Routing** column.
 21. Select a value from the list—**true** to enable routing for the VLAN, or **false** to disable routing for the VLAN .
 22. Click **Apply** .

Variable definitions

Use the data in this table to modify the configuration of an existing VLAN in STG mode.

Variable	Value
Id	Indicates the ID for the VLAN. This is a read-only value.
Name	Specifies an alphanumeric name for the VLAN. If you do not type a name, the switch default is applied.
IfIndex	Indicates the interface index. This is a read-only value.
Type	Indicates the type of VLAN: byPort. This is a read-only value. Values include: <ul style="list-style-type: none"> • byPort • byProtocolId • spbm-bvlan • spbm-switchedUni • private
SecondaryVlanId	Specifies the VLAN ID for the Secondary VLAN. Enter an unused VLAN ID.
VoiceEnabled	Indicates whether VLAN is a voice VLAN (true) or not (false).
SpbmMcast	Indicates whether IP Shortcut multicast routing is enabled or disabled on the VLAN.
RspanEnabled	Indicates whether VLAN is an RSPAN VLAN (true) or not (false).
I-sid	Indicates the VLAN I-SID ID.

Table continues...


Variable	Value
Secondary I-sid	Specifies the secondary VLAN I-SID ID.
PortMembers	Specifies the ports that are members of the VLAN.
ActiveMembers	Indicates the ports that are currently active in the VLAN. Active ports include all static ports and any dynamic ports where the VLAN policy was met. This is a read-only value.
StgId	Specifies the STG to associate with the selected VLAN or VLANs.  Important: This column is available only when the Spanning Tree administration operating mode is STG mode, when the operating mode is MSTP or RSTP, this column is not available.
ProtocolId	Specifies the protocol identifier for the VLAN. The protocol ID is significant only when the VLAN type is <i>byProtocolId</i> . Values include: <ul style="list-style-type: none"> • ip • ipx802dot3 • ipx802dot2 • ipxSnap • ipxEthernet2 • appleTalk • decLat • decOtherEther2 • sna802dot2 • snaEthernet2 • netBios • xns • vines • ipv6 • usrDefined • rarp
UserDefinedPid	Indicates the user defined protocol identifier for a protocol based VLAN. This is a read-only value.
Encap	Indicates the encapsulation type for user defined protocol based VLANs only. This is a read-only value. Values include: <ul style="list-style-type: none"> • ethernet2 • llc • snap

Table continues...

Variable	Value
	By default there is no value in this cell.
MacAddress	Indicates the MAC address associated with the VLAN. This is a read-only value.
Routing	Specifies whether routing is enabled (true) or disabled (false) for the VLAN.

Modifying an existing VLAN in RSTP mode using EDM

Use this procedure to modify the configuration of an existing VLAN when the Spanning Tree administration operating mode is RSTP.

Prerequisites

- Select RSTP for the Spanning Tree administration mode.

Procedure steps

1. From the navigation tree, double-click **VLAN**.
 2. Double-click **VLANs**.
 3. In the work area, click the **Basic** tab.
 4. To select a VLAN to edit, click the VLAN ID.
 5. In the VLAN row, double-click the cell in the **Name** column.
 6. Type a character string to assign a unique name to the VLAN.
 7. In the VLAN row, double-click the cell in the **VoiceEnabled** column.
 8. Select a value from the list—**true** to specify the VLAN is a Voice VLAN, or **false** to specify the VLAN is not a Voice VLAN.
 9. In the VLAN row, double-click the cell in the **RspanEnabled** column.
 10. Select a value from the list—**true** to specify the VLAN is an RSPAN VLAN, or **false** to specify the VLAN is not an RSPAN VLAN.
 11. In the VLAN row, double-click the cell in the **I-sid** column.
 12. Type a value to specify the VLAN I-sid Id.
 13. In the VLAN row, double-click the cell in the **PortMembers** column.
 14. Select ports to add to the VLAN.
- OR**
- Deselect ports to remove them from the VLAN.
15. Click **Ok**.
 16. In the VLAN row, double-click the cell in the **Routing** column.
 17. Select a value from the list—**true** to enable routing for the VLAN, or **false** to disable routing for the VLAN.

18. Click **Apply** .

Variable definitions

Variable	Value
Id	Indicates the ID for the VLAN. This is a read-only value.
Name	Specifies an alphanumeric name for the VLAN. If you do not type a name, the switch default is applied.
IfIndex	Indicates the interface index. This is a read-only value.
Type	Indicates the type of VLAN: byPort. This is a read-only value. Values include: <ul style="list-style-type: none"> • byPort • byProtocolId • spbm-bvlan • spbm-switchedUni • private
SecondaryVlanId	Specifies the VLAN ID for the Secondary VLAN. Enter an unused VLAN ID.
VoiceEnabled	Indicates whether VLAN is a voice VLAN (true) or not (false).
RspanEnabled	Indicates whether VLAN is an RSPAN VLAN (true) or not (false).
I-sid	Indicates the VLAN I-SID ID.
Secondary I-sid	Specifies the secondary VLAN I-SID ID.
PortMembers	Specifies the ports that are members of the VLAN.
ActiveMembers	Indicates the ports that are currently active in the VLAN. Active ports include all static ports and any dynamic ports where the VLAN policy was met. This is a read-only value.
ProtocolId	Specifies the protocol identifier for the VLAN. The protocol ID is significant only when the VLAN type is <i>byProtocolId</i> . Values include: <ul style="list-style-type: none"> • ip • ipx802dot3 • ipx802dot2 • ipxSnap • ipxEthernet2 • appleTalk • decLat • decOtherEther2 • sna802dot2 • snaEthernet2 • netBios • xns

Table continues...

Variable	Value
	<ul style="list-style-type: none"> • vines • ipv6 • usrDefined • rarp
UserDefinedPid	Indicates the user defined protocol identifier for a protocol based VLAN. This is a read-only value.
Encap	<p>Indicates the encapsulation type for user defined protocol based VLANs only. This is a read-only value. Values include:</p> <ul style="list-style-type: none"> • ethernet2 • llc • snap <p>By default there is no value in this cell.</p>
MacAddress	Indicates the MAC address associated with the VLAN. This is a read-only value.
Routing	Specifies whether routing is enabled (true) or disabled (false) for the VLAN.

Modifying an existing VLAN in MSTP mode using EDM

Use this procedure to modify the configuration of an existing VLAN when the Spanning Tree administration operating mode is MSTP.

Prerequisites

- Select MSTP for the Spanning Tree administration mode.

Procedure steps

1. From the navigation tree, double-click **VLAN**.
2. Double-click **VLANs**.
3. In the work area, click the **Basic** tab.
4. To select a VLAN to edit, click the VLAN ID.
5. In the VLAN row, double-click the cell in the **Name** column.
6. Type a character string to assign a unique name to the VLAN.
7. In the VLAN row, double-click the cell in the **VoiceEnabled** column.
8. Select a value from the list—**true** to specify the VLAN is a Voice VLAN, or **false** to specify the VLAN is not a Voice VLAN.
9. In the VLAN row, double-click the cell in the **SpbMcast** column.
10. Select a value from the list—**enable** to enable IP Shortcut multicast routing or **disable** to disable IP Shortcut multicast routing on the VLAN.

11. In the VLAN row, double-click the cell in the **RspanEnabled** column.
 12. Select a value from the list—**true** to specify the VLAN is an RSPAN VLAN, or **false** to specify the VLAN is not an RSPAN VLAN.
 13. In the VLAN row, double-click the cell in the **I-sid** column.
 14. Type a value to specify the VLAN I-sid Id.
 15. In the VLAN row, double-click the cell in the **PortMembers** column.
 16. Select ports to add to the VLAN.
- OR**
- Deselect ports to remove them from the VLAN.
17. Click **Ok** .
 18. In the VLAN row, double-click the cell in the **MstpInstance** column, if the switch is in MSTP mode.
 19. Select a value from the list.
 20. In the VLAN row, double-click the cell in the **Routing** column.
 21. Select a value from the list—**true** to enable routing for the VLAN, or **false** to disable routing for the VLAN .
 22. Click **Apply** .

Variable definitions

Variable	Value
Id	Indicates the ID for the VLAN. This is a read-only value.
Name	Specifies an alphanumeric name for the VLAN. If you do not type a name, the switch default is applied.
IfIndex	Indicates the interface index. This is a read-only value.
Type	Indicates the type of VLAN: byPort. This is a read-only value. Values include: <ul style="list-style-type: none"> • byPort • byProtocolId • spbm-bvlan • spbm-switchedUni • private
SecondaryVlanId	Specifies the VLAN ID for the Secondary VLAN. Enter an unused VLAN ID.
VoiceEnabled	Indicates whether VLAN is a voice VLAN (true) or not (false).
SpbMcast	Indicates whether IP Shortcut multicast routing is enabled or disabled on the VLAN.
RspanEnabled	Indicates whether VLAN is an RSPAN VLAN (true) or not (false).

Table continues...


Variable	Value
I-sid	Indicates the VLAN I-SID ID.
Secondary I-sid	Specifies the secondary VLAN I-SID ID.
PortMembers	Specifies the ports that are members of the VLAN.
ActiveMembers	Indicates the ports that are currently active in the VLAN. Active ports include all static ports and any dynamic ports where the VLAN policy was met. This is a read-only value.
MstpInstance	<p>The MSTP instance associated with the VLAN. Values include:</p> <ul style="list-style-type: none"> • none • cist • msti-1-7 <p> Important:</p> <p>This column is available only when the Spanning Tree administration operating mode is MSTP, when the operating mode is STG or RSTP, this column is not available .</p>
ProtocolId	<p>Specifies the protocol identifier for the VLAN. The protocol ID is significant only when the VLAN type is <i>byProtocolId</i>. Values include:</p> <ul style="list-style-type: none"> • ip • ipx802dot3 • ipx802dot2 • ipxSnap • ipxEthernet2 • appleTalk • decLat • decOtherEther2 • sna802dot2 • snaEthernet2 • netBios • xns • vines • ipv6 • usrDefined • rarp
UserDefinedPid	Indicates the user defined protocol identifier for a protocol based VLAN. This is a read-only value.

Table continues...

Variable	Value
Encap	Indicates the encapsulation type for user defined protocol based VLANs only. This is a read-only value. Values include: <ul style="list-style-type: none"> • ethernet2 • llc • snap By default there is no value in this cell.
MacAddress	Indicates the MAC address associated with the VLAN. This is a read-only value.
Routing	Specifies whether routing is enabled (true) or disabled (false) for the VLAN.

Creating a VLAN in STG mode using EDM

Use the following procedure to create a new VLAN when the switch is in STG mode.

Prerequisites

- Select STG for the Spanning Tree administration mode.

Procedure steps

1. From the navigation tree, double-click **VLAN**.
2. Double-click **VLANs**.
3. In the work area, click the **Basic** tab.
4. Click **Insert**.
5. In the Id dialog box, type a value.

OR

Accept the default ID for the VLAN.
6. In the Name dialog box, type a value.

OR

Accept the default name for the VLAN.
7. In the **Type** section, click a radio button.
8. Click **Insert**.
9. In the VLAN row, double-click the cell in the **PortMembers** column.
10. Select ports to add to the VLAN.

OR

Deselect ports to remove them from the VLAN.
11. Click **Ok**.

12. In the VLAN row, double-click the cell in the **StgId** column.
13. Type a value.
14. In the VLAN row, double-click the cell in the **Routing** column.
15. Select a value from the list—true to enable routing for the VLAN, or false to disable routing for the VLAN .
16. Click **Apply** .

Variable definitions


Variable	Value
Id	Specifies the ID for the VLAN.
Name	Specifies an alphanumeric name for the VLAN. If you do not type a name, the switch default is applied.
Type	Indicates the type of VLAN. This is a read-only value. Values include: <ul style="list-style-type: none"> • byPort • byProtocolId • spbm-bvlan • spbm-switchedUni • private
PortMembers	Specifies the ports that are members of the VLAN.
ActiveMembers	Indicates the ports that are currently active in the VLAN. Active ports include all static ports and any dynamic ports where the VLAN policy was met. This is a read-only value.
StgId	Specifies the STG to associate with the selected VLAN or VLANs. <p> Important:</p> <p>This column is available only when the Spanning Tree administration operating mode is STG mode, when the operating mode is MSTP or RSTP, this column is not available.</p>
ProtocolId	Specifies the protocol identifier for the VLAN. The protocol ID is significant only when the VLAN type is <i>byProtocolId</i> . Values include: <ul style="list-style-type: none"> • ip • ipx802dot3 • ipx802dot2 • ipxSnap • ipxEthernet2 • appleTalk • decLat • decOtherEther2

Table continues...

Variable	Value
	<ul style="list-style-type: none"> • sna802dot2 • snaEthernet2 • netBios • xns • vines • ipv6 • usrDefined • rarp
UserDefinedPid	Indicates the user defined protocol identifier for a protocol based VLAN. This is a read-only value.
Encap	<p>Indicates the encapsulation type for user defined protocol based VLANs only. This is a read-only value. Values include:</p> <ul style="list-style-type: none"> • ethernet2 • llc • snap <p>By default there is no value in this cell.</p>
MacAddress	Indicates the MAC address associated with the VLAN. This is a read-only value.
Routing	Specifies whether routing is enabled (true) or disabled (false) for the VLAN.

Creating a VLAN in RSTP mode using EDM

Use the following procedure to create a new VLAN when the switch is in RSTP mode.

Prerequisites

- Select RSTP for the Spanning Tree administration mode.

Procedure steps

1. From the navigation tree, double-click **VLAN**.
2. Double-click **VLANs**.
3. In the work area, click the **Basic** tab.
4. Click **Insert**.
5. In the Id dialog box, type a value.

OR

Accept the default ID for the VLAN.

6. In the Name dialog box, type a value.

OR

Accept the default name for the VLAN.

7. Click **Insert**.
8. In the VLAN row, double-click the cell in the **PortMembers** column.
9. Select ports to add to the VLAN.

OR

Deselect ports to remove them from the VLAN.

10. Click **Ok** .
11. In the VLAN row, double-click the cell in the **Routing** column.
12. Select a value from the list—**true** to enable routing for the VLAN, or **false** to disable routing for the VLAN .
13. Click **Apply** .

Variable definitions

Variable	Value
Id	Specifies the ID for the VLAN.
Name	Specifies an alphanumeric name for the VLAN. If you do not type a name, the switch default is applied.
Type	Indicates the type of VLAN. This is a read-only value. Values include: <ul style="list-style-type: none"> • byPort • byProtocolId • spbm-bvlan • spbm-switchedUni • private
PortMembers	Specifies the ports that are members of the VLAN.
ActiveMembers	Indicates the ports that are currently active in the VLAN. Active ports include all static ports and any dynamic ports where the VLAN policy was met. This is a read-only value.
ProtocolId	Specifies the protocol identifier for the VLAN. The protocol ID is significant only when the VLAN type is <i>byProtocolId</i> . Values include: <ul style="list-style-type: none"> • ip • ipx802dot3 • ipx802dot2 • ipxSnap • ipxEthernet2 • appleTalk • decLat

Table continues...

Variable	Value
	<ul style="list-style-type: none"> • decOtherEther2 • sna802dot2 • snaEthernet2 • netBios • xns • vines • ipv6 • usrDefined • rarp
UserDefinedPid	Indicates the user defined protocol identifier for a protocol based VLAN. This is a read-only value.
Encap	Indicates the encapsulation type for user defined protocol based VLANs only. This is a read-only value. Values include: <ul style="list-style-type: none"> • ethernet2 • llc • snap By default there is no value in this cell.
MacAddress	Indicates the MAC address associated with the VLAN. This is a read-only value.
Routing	Specifies whether routing is enabled (true) or disabled (false) for the VLAN.

Creating a VLAN in MSTP mode using EDM

Use the following procedure to create a new VLAN when the switch is in MSTP mode.

Prerequisites

- Select MSTP for the Spanning Tree administration mode.

Procedure steps

1. From the navigation tree, double-click **VLAN**.
2. Double-click **VLANs**.
3. In the work area, click the **Basic** tab.
4. Click **Insert**.
5. In the Id dialog box, type a value.

OR

Accept the default ID for the VLAN.

6. In the Name dialog box, type a value.

OR

Accept the default name for the VLAN.

7. Click the **MstpInstance** box arrow.

8. Select a value from the list.

9. Click **Insert**.

10. In the VLAN row, double-click the cell in the **PortMembers** column.

11. Select ports to add to the VLAN.

OR

Deselect ports to remove them from the VLAN.

12. Click **Ok** .

13. In the VLAN row, double-click the cell in the **Routing** column.

14. Select a value from the list—**true** to enable routing for the VLAN, or **false** to disable routing for the VLAN .

15. Click **Apply** .

Variable definitions

Variable	Value
Id	Specifies the ID for the VLAN.
Name	Specifies an alphanumeric name for the VLAN. If you do not type a name, the switch default is applied.
IfIndex	Indicates the interface index. This is a read-only value.
Type	Indicates the type of VLAN. This is a read-only value. Values include: <ul style="list-style-type: none"> • byPort • byProtocolId • spbm-bvlan • spbm-switchedUni • private
PortMembers	Specifies the ports that are members of the VLAN.
ActiveMembers	Indicates the ports that are currently active in the VLAN. Active ports include all static ports and any dynamic ports where the VLAN policy was met. This is a read-only value.
MstpInstance	The MSTP instance associated with the VLAN. Values include: <ul style="list-style-type: none"> • none • cist

Table continues...

Variable	Value
	<ul style="list-style-type: none"> • msti-1-7 <p>! Important:</p> <p>This column is available only when the Spanning Tree administration operating mode is MSTP, when the operating mode is STG or RSTP, this column is not available.</p>
ProtocolId	<p>Specifies the protocol identifier for the VLAN. The protocol ID is significant only when the VLAN type is <i>byProtocolId</i>. Values include:</p> <ul style="list-style-type: none"> • ip • ipx802dot3 • ipx802dot2 • ipxSnap • ipxEthernet2 • appleTalk • decLat • decOtherEther2 • sna802dot2 • snaEthernet2 • netBios • xns • vines • ipv6 • usrDefined • rarp
UserDefinedPid	<p>Indicates the user defined protocol identifier for a protocol based VLAN. This is a read-only value.</p>
Encap	<p>Indicates the encapsulation type for user defined protocol based VLANs only. This is a read-only value. Values include:</p> <ul style="list-style-type: none"> • ethernet2 • llc • snap <p>By default there is no value in this cell.</p>
MacAddress	<p>Indicates the MAC address associated with the VLAN. This is a read-only value.</p>
Routing	<p>Specifies whether routing is enabled (true) or disabled (false) for the VLAN.</p>

Deleting a VLAN using EDM

Use this procedure to delete a VLAN.

Procedure steps

1. From the navigation tree, double-click **VLAN**.
2. Double-click **VLANs**.
3. In the work area, click the **Basic** tab.
4. To select a VLAN to delete, click the VLAN ID.
5. Click **Delete**.
6. Click **Yes**.

Creating an RSPAN VLAN or VOICE VLAN using EDM

Use the following procedure to create an RSPAN VLAN or VOICE VLAN.

Procedure

1. From the navigation tree, double-click **VLAN**.
2. Double-click **VLANs**.
3. In the work area, click the **Basic** tab.
4. Click **Insert**.
5. In the **Id** dialog box, type a value.
6. In the **Name** dialog box, type a value.
7. In the **StgId** dialog box, type a value.
8. In the **Type** section, click the **byPort** radio button.
9. To create an RSPAN VLAN, select the **RspanEnabled** check box.
10. To create a VOICE VLAN, select the **VoiceEnabled** check box.
11. Click **Insert**.

 **Note:**

A VLAN cannot be VOICE VLAN and RSPAN VLAN at the same time.

Variable definitions

Variable	Value
Id	Specifies the ID for the VLAN.
Name	Specifies an alphanumeric name for the VLAN. If you do not type a name, the switch default is applied.
StgId	Specifies the Spanning Tree Group ID
Type	Indicates the type of VLAN. Values include: <ul style="list-style-type: none"> • byPort — VLAN by Port • byProtocolId — VLAN by Protocol ID • spbm-vlan — Add an SPBM B-VLAN • spbm-switchedUni — Add an SPBM SwitchedUNI • private
VoiceEnabled	Indicates whether VLAN is a voice VLAN (true) or not (false).
RspanEnabled	Indicates whether VLAN is an RSPAN VLAN (true) or not (false).

Configuring VLAN Snoop

Use this procedure to enable or disable IGMP snooping on a switch.

For information on the IGMP snooping feature, refer to *Configuring IP Routing and Multicast on Ethernet Routing Switch 4900 and 5900 Series*.

Procedure steps

1. From the navigation tree, double-click **VLAN**.
2. From the VLAN tree, click **VLANS**.
3. Select the **Snoop** tab.

Variable definitions

The following table outlines the parameters of the **Snoop** tab.

Table 13: VLAN Snoop tab parameters

Variable	Value
Id	Specifies the ID of the VLAN.
ReportProxyEnable	A flag to note whether IGMP Report Proxy is enabled on this VLAN.
Enable	A flag to note whether IGMP Snooping is enabled on this VLAN.

Table continues...

Variable	Value
Robustness	Allows tuning for the expected packet loss on a subnet. If a subnet is expected to be <i>lossy</i> , the Robustness variable may be increased. IGMP is robust to (Robustness - 1) packet losses.
QueryInterval	Specifies the interval (in seconds) between IGMP Host-Query packets transmitted on this interface.
MRouterPorts	Specifies the set of ports in this VLAN that provide connectivity to an IP Multicast router.
Ver1MRouterPorts	Specifies the version 1 ports in this VLAN that provide connectivity to an IP Multicast router.
Ver2RouterPorts	Specifies the version 2 ports in this VLAN that provide connectivity to an IP Multicast router.
ActiveMRouterPorts	Specifies the active ports.
ActiveQuerier	Specifies the IP address of multicast querier router
QuerierPort	Specifies the port on which the multicast querier router was heard.
MRouterExpiration	Specifies the multicast querier router aging time out

VLAN IPv4 address management using EDM

Use the information in this section to display and delete IPv4 address information for a VLAN.

Assigning an IPv4 address to a using EDM

Use this procedure to assign an IPv4 address to a VLAN.

Procedure steps

1. From the navigation tree, double-click **VLAN**.
2. Double-click **VLANs**.
3. In the work area, click the **Basic** tab.
4. To select a VLAN to edit, click the VLAN ID.
5. On the toolbar, click **IP**.
6. In the work area, click the **IP Address** tab.
7. Click **Insert**.
8. In the IpAddress dialog box, type an IP address.
9. In the NetMask dialog box, type a network mask.
10. In the MacOffset dialog box, type a value. If you do not assign a value, the switch applies a value automatically.

11. Click **Insert** .
12. Click **Apply** .

Variable definitions

Variable	Value
IpAddress	Indicates the IPv4 address associated with the VLAN.
NetMask	Indicates the network mask for the IPv4 address associated with the VLAN.
MacOffset	Indicates the offset used to translate the IPv4 address into a MAC address. Values range from 1 to 256. Specify the value 1 for the management VLAN only. If you do not specify a MAC offset, the switch applies one automatically.

Viewing VLAN IPv4 address information using EDM

Use this procedure to display IPv4 addresses associated with VLANs.

Procedure steps

1. From the navigation tree, double-click **VLAN**.
2. Double-click **VLANs**.
3. In the work area, click the **Basic** tab.
4. To select a VLAN to edit, click the VLAN ID.
5. On the toolbar, click **IP**.
6. In the work area, click the **IP Address** tab.

Variable definitions

Variable	Value
IpAddress	Indicates the IPv4 address associated with the VLAN.
NetMask	Indicates the network mask for the IPv4 address associated with the VLAN.
BcastAddrFormat	Indicates the IP broadcast address format used on this interface.
ReasmMaxSize	Indicates the size of the largest IP datagram that can be reassembled from fragmented incoming IP datagrams received on this interface.

Table continues...

Variable	Value
VlanId	Indicates the VLAN identifier.
MacOffset	Indicates the offset used to translate the IPv4 address into a MAC address. Values range from 1 to 256. The value 1 is reserved for the management VLAN. If you do not specify a MAC offset value, the switch applies a value automatically.
SecondaryIf	Indicates whether the IP address is a secondary IP.

Deleting an IPv4 address from a VLAN using EDM

Use this procedure to delete VLAN IPv4 address from a VLAN.

Procedure steps

1. From the navigation tree, double-click **VLAN**.
2. Double-click **VLANs**.
3. In the work area, click the **Basic** tab.
4. To select a VLAN to edit, click the VLAN ID.
5. On the toolbar, click **IP**.
6. In the work area, click the **IP Address** tab.
7. Click the IPv4 address row.
8. On the toolbar, click **Delete**.

Configuring DHCP for a VLAN using EDM

Use this procedure to disable or enable, and configure Dynamic Host Configuration Protocol (DHCP) for a VLAN.

Procedure steps

1. From the navigation tree, double-click **VLAN**.
2. Double-click **VLANs**.
3. In the work area, click the **Basic** tab.
4. To select a VLAN to edit, click the VLAN ID.

5. On the toolbar, click **IP**.
6. In the work area, click the **DHCP** tab.
7. Select the **Enable** check box to enable DHCP for the VLAN.

OR

Clear the **Enable** check box to disable DHCP for the VLAN.

8. In the MinSec dialog box, type a value.
9. In the **Mode** section, click a radio button.
10. Select the **AlwaysBroadcast** check box to enable the broadcast of DHCP reply packets for the VLAN.

OR

Clear the **AlwaysBroadcast** check box to disable the broadcast of DHCP reply packets for the VLAN.

11. Select the **Option82Enabled** check box to enable DHCP option 82 for the VLAN.

OR

Clear the **Option82Enabled** check box to disable DHCP option 82 for the VLAN.

12. In the **ClearCounters** section, click a radio button.
13. Click **Apply** .

Variable definitions

Variable	Value
Enable	Enables or disables DHCP for the VLAN.
MinSec	Specifies the minimum period of time (in seconds) before a DHCP packet received on this VLAN, is forwarded to the destination device. Values range from 0 to 65535 seconds.
Mode	Specifies the type of DHCP packets this VLAN supports. Values include: <ul style="list-style-type: none"> • none—all received DHCP and BOOTP packets are dropped • bootp—only BOOTP packets are supported • dhcp—only DHCP packets are supported • both—DHCP and BOOTP packets are supported
AlwaysBroadcast	When selected, broadcasts DHCP reply packets from the VLAN to the DHCP client.

Table continues...

Variable	Value
Option82Enabled	When selected, enables DHCP option 82 for the VLAN.
ClearCounters	Clears the DHCP counters. <ul style="list-style-type: none"> clear—resets the DHCP counters to 0 and sets the counter clear time to the current system up time value. dummy—the read-only default value.
CounterClearTime	Indicates the time the DHCP counters for this VLAN were last reset to 0.

Configuring RIP for a VLAN using EDM

Use this procedure to configure Routing Information Protocol (RIP) for a VLAN.

Procedure steps

1. From the navigation tree, double-click **VLAN**.
2. Double-click **VLANs**.
3. In the work area, click the **Basic** tab.
4. To select a VLAN to edit, click the VLAN ID.
5. On the toolbar, click **IP**.
6. In the work area, click the **RIP** tab.
7. In the **Poison** section, click a radio button.
8. Select the **DefaultSupply** check box to enable ABC for the VLAN.

OR

Clear the **DefaultSupply** check box to disable ABC for the VLAN .
9. Select the **DefaultListen** check box to enable ABC for the VLAN.

OR

Clear the **DefaultListen** check box to disable ABC for the VLAN .
10. Select the **AutoAggregateEnable** check box to enable ABC for the VLAN.

OR

Clear the **AutoAggregateEnable** check box to disable ABC for the VLAN .
11. Select the **AdvertiseWhenDown** check box to enable ABC for the VLAN.

OR

Clear the **AdvertiseWhenDown** check box to disable ABC for the VLAN .

12. In the Cost dialog box, type a value.
13. Click **Apply** .

Variable definitions

Variable	Value
Poison	Enables or disables the operation of poison reverse on this VLAN. The default is disabled.
DefaultSupply	Enables or disables the advertising of default routes on this VLAN.
DefaultListen	Enables or disables listening for default route advertisements on this VLAN.
AutoAggregateEnable	Enables or disables automatic aggregation on this VLAN.
AdvertiseWhenDown	Enables or disables the sending of advertisements from this VLAN when the VLAN is down.
Cost	Specifies the RIP cost for this VLAN. Values range from 1 to 15.

Graphing OSPF statistics for a VLAN using EDM

Use this procedure to display a graphical representation of OSPF statistics for a VLAN.

Procedure steps

1. From the navigation tree, double-click **VLAN**.
2. Double-click **VLANS**.
3. In the work area, click the **Basic** tab.
4. To select a VLAN, click the VLAN ID.
5. On the toolbar, click **IP**.
6. In the work area, click the **OSPF Stats** tab.
7. Select a **Poll Interval** from the list on the toolbar.
8. To select statistics to graph, click a statistic type row under one of the displayed columns.

9. Click **Line Chart**, **Area Chart**, **Bar Chart**, or **Pie Chart**.

Variable definitions

Variable	Value
VersionMismatches	Indicates the number of version mismatches received by the selected VLAN.
AreaMismatches	Indicates the number of area mismatches received by the selected VLAN.
AuthTypeMismatches	Indicates the number of AuthType mismatches received by the selected VLAN.
AuthFailures	Indicates the number of authentication failures on the selected VLAN.
NetMaskMismatches	Indicates the number of net mask mismatches received by the selected VLAN.
HelloIntervalMismatches	Indicates the number of hello interval mismatches received by the selected VLAN.
DeadIntervalMismatches	Indicates the number of dead interval mismatches received by the selected VLAN.
OptionMismatches	Indicates the number of option mismatches received by the selected VLAN.
RxHellos	Indicates the number of hello packets received by the selected VLAN.
RxDBDescrs	Indicates the number of database descriptor packets received by the selected VLAN.
RxLSUpdates	Indicates the number of link state update packets received by the selected VLAN.
RxLSReqs	Indicates the number of link state request packets received by the selected VLAN.
RxLSAcks	Indicates the number of link state acknowledge packets received by the selected VLAN.
TxHellos	Indicates the number hello packets transmitted by the selected VLAN.
TxDBDescrs	Indicates the number of database descriptor packets transmitted by the selected VLAN.
TxLSUpdates	Indicates the number of link state update packets transmitted by the selected VLAN.
TxLSReqs	Indicates the number of link state request packets transmitted by the selected VLAN.
TxLSAcks	Indicates the number of link state acknowledge packets transmitted by the selected VLAN.

VLAN IPv6 interface management using EDM

Use the information in this section to configure and manage IPv6 interfaces for a VLAN.

Viewing IPv6 interface information for a VLAN using EDM

Use this procedure to display existing IPv6 interface information for a VLAN.

Procedure steps

1. From the navigation tree, double-click **VLAN**.
2. Double-click **VLANs**.
3. In the work area, click the **Basic** tab.
4. Click on the management VLAN ID.
5. On the toolbar, click **IPv6**.
6. In the work area, click the **IPv6 Interface** tab.

Variable definitions

Variable	Value
IfIndex	Identifies a physical interface or a logical interface (VLAN). For a VLAN, it is the Ifindex of the VLAN.
Identifier	Indicates the IPv6 address interface identifier, which is a binary string of up to 8 octets in network byte order.
IdentifierLength	Indicates the length of the interface identifier in bits.
Descr	Indicates a text string containing information about the interface. The network management system also sets this string.
VlanId	Identifies the Virtual LAN associated with the entry. This value corresponds to the lower 12 bits in the IEEE 802.1Q VLAN tag.
Type	Supported types include: <ul style="list-style-type: none"> • ethernet • loopback
ReasmMaxSize(MTU)	Indicates the MTU for this IPv6 interface. This value must be same for all the IP addresses defined on this interface. The default value is 1500.
PhysAddress	Indicates the media-dependent physical address. The range is 0 through 65535. For Ethernet, this is a MAC address.

Table continues...

Variable	Value
AdminStatus	Indicates whether the administration status of the interface is enabled (true) or disabled (false). The default is enabled (true).
OperStatus	Indicates whether the operation status of the interface is up or down.
ReachableTime	Indicates the time (3600000 ms) that a neighbor is considered reachable after receiving a reachability confirmation.
RetransmitTime	Indicates the retransmit time, which is the time (3600000 ms) between retransmissions of neighbor solicitation messages to a neighbor when resolving the address or when probing the reachability of a neighbor.
MulticastAdminStatus	Indicates the multicast status as either True or False.

Adding an IPv6 interface to a VLAN using EDM

Use this procedure to add an IPv6 interface to a VLAN.

Procedure steps

1. From the navigation tree, double-click **VLAN**.
2. Double-click **VLANs**.
3. In the work area, click the **Basic** tab.
4. To select a VLAN, click the VLAN ID.
5. On the toolbar, click **IPv6**.
6. In the work area, click the **IPv6 Interface** tab.
7. On the toolbar, click **Insert** .
8. In the Identifier dialog box, type a value.
9. In the Descr dialog box, type a value.
10. In the ReasmMaxSize(MTU) dialog box, type a value.
11. Select the **AdminStatus** check box to enable the interface administration status for the VLAN.

OR

Clear the **AdminStatus** check box to disable the interface administration status for the VLAN .

12. In the ReachableTime dialog box, type a value.
13. In theRetransmitTime dialog box, type a value.

14. Click **Insert** .
15. Click **Apply** .

Variable definitions

Variable	Value
Identifier	Specifies the IPv6 address interface identifier, which is a binary string of up to 8 octets in network byte order.
Descr	Specifies a text string containing information about the interface. The network management system also sets this string.
ReasmMaxSize(MTU)	Specifies the MTU for this IPv6 interface. This value must be same for all the IP addresses defined on this interface. The default value is 1500.
AdminStatus	Specifies whether the administration status of the interface is enabled (true) or disabled (false). The default is enabled (true).
ReachableTime	Specifies the time (3600000 ms) that a neighbor is considered reachable after receiving a reachability confirmation.
RetransmitTime	Specifies the retransmit time, which is the time (3600000 ms) between retransmissions of neighbor solicitation messages to a neighbor when resolving the address or when probing the reachability of a neighbor.

Deleting an IPv6 interface from a VLAN using EDM

Use this procedure to remove an IPv6 interface from a VLAN.

Procedure steps

1. From the navigation tree, double-click **VLAN**.
2. Double-click **VLANs**.
3. In the work area, click the **Basic** tab.
4. To select a VLAN, click the VLAN ID.
5. On the toolbar, click **IPv6**.
6. In the work area, click the **IPv6 Interface** tab.
7. To select an interface to delete, click the `lflIndex`.
8. On the toolbar, click **Delete** .

VLAN IPv6 address management using EDM

Use the information in this section to configure and manage IPv6 addresses for a VLAN.

Viewing IPv6 address information for a VLAN using EDM

Use this procedure to display existing IPv6 address information for a VLAN.

Procedure steps

1. From the navigation tree, double-click **VLAN**.
2. Double-click **VLANs**.
3. In the work area, click the **Basic** tab.
4. Click on the management VLAN ID.
5. On the toolbar, click **IPv6**.
6. In the work area, click the **IPv6 Addresses** tab.

Variable definitions

Variable	Value
IfIndex	Indicates of the VLAN.
Addr	Indicates the VLAN IPv6 address.
AddrLen	Indicates the VLAN IPv6 prefix length.
Type	Indicates the VLAN IPv6 address type. Values include: <ul style="list-style-type: none"> • unicast • anycast
Origin	Indicates the origin of the VLAN IPv6 address. Values include: <ul style="list-style-type: none"> • other • manual • dhcp • linklayer • random
Status	Indicates the status of the VLAN IPv6 address. Values include: <ul style="list-style-type: none"> • preferred • deprecated • invalid • inaccessible • unknown

Table continues...

Variable	Value
	<ul style="list-style-type: none"> • tentative • duplicate

Adding an IPv6 address to a VLAN using EDM

Use this procedure to add an IPv6 address to a VLAN.

Procedure steps

1. From the navigation tree, double-click **VLAN**.
2. Double-click **VLANs**.
3. In the work area, click the **Basic** tab.
4. To select a VLAN, click the VLAN ID.
5. On the toolbar, click **IPv6**.
6. In the work area, click the **IPv6 Addresses** tab.
7. In the **Addr** box, type an IPv6 address.
8. In the **AddrLen** box, type the IPv6 prefix length.
9. In the **Type** section, click a radio button.
10. Click **Insert**.
11. Click **Apply** .

Variable definitions

Variable	Value
Addr	Specifies the VLAN IPv6 address.
AddrLen	Specifies the VLAN IPv6 prefix length.
Type	Specifies the VLAN IPv6 address type. Values include: <ul style="list-style-type: none"> • unicast • anycast

Deleting an IPv6 address from a VLAN using EDM

Use this procedure to remove an IPv6 address from a VLAN.

Procedure steps

1. From the navigation tree, double-click **VLAN**.

2. Double-click **VLANS**.
3. In the work area, click the **Basic** tab.
4. To select a VLAN, click the VLAN ID.
5. On the toolbar, click **IPv6**.
6. In the work area, click the **IPv6 Addresses** tab.
7. To select an address to delete, click the **Index**.
8. On the toolbar, click **Delete** .

VLAN configuration for ports using EDM

Use the information in this section to view and configure VLAN membership for specific ports.

Viewing VLAN membership port information using EDM

Use this procedure to display the VLAN membership information for switch ports.

Procedure steps

1. From the navigation tree, double-click **VLAN**.
2. In the VLAN tree, double-click **VLANS** .
3. Click the **Ports** tab.

Variable definitions

Variable	Value
Index	Indicates the switch position in the stack and the port number. This is a read-only value.
VlanIds	Indicates the VLAN IDs of which this port is a member. This is a read-only value.
DiscardUntaggedFrames	<p>Indicates how untagged frames received on this port are processed.</p> <ul style="list-style-type: none"> • true—untagged frames are discarded by the forwarding process • false—untagged frames are assigned to the VLAN specified by the VLAN ID. <p>This column applies to trunk ports only.</p>

Table continues...

Variable	Value
FilteredUnregisteredFrame	<p>Indicates how unregistered frames received on this port are processed.</p> <ul style="list-style-type: none"> • true—unregistered frames are discarded by the forwarding process • false—unregistered frames are assigned to the VLAN specified by the VLAN ID. <p>This column applies to access ports only.</p>
DefaultVlanId	Indicates the VLAN ID assigned to untagged and unregistered frames received on a port.
PortPriority	Indicates the port priority for the switch to consider as it forwards received packets. Values range from 0 to 7.
Tagging	<p>Indicates the type of VLAN port. Values include:</p> <ul style="list-style-type: none"> • untagAll (access) • tagAll (trunk) • untagPvidOnly • tagPvidOnly <p>If the port is a trunk port, the port is often a member of more than one VLAN. If the port is an access port, the port can only be a member of one VLAN.</p>
PrivateVlanPortType	<p>Specifies the port type. If not specified, the port type defaults to None.</p> <ul style="list-style-type: none"> • Isolated: An Isolated port can belong only to one private VLAN. • Promiscuous: A Promiscuous port can belong to many private VLANs. • Trunk: A Trunk port can belong to many private VLANs, is tagged, and can also belong to non-private VLANs.

Configuring VLAN membership ports

Use the following procedure to configure VLAN membership for one or more switch ports.

Procedure

1. From the navigation tree, double-click **VLAN**.
2. In the VLAN tree, click **VLANs**.
3. In the work area, click the **Ports** tab.
4. In the port row, double-click the cell in the **DiscardUntaggedFrames** column.
5. Select a value from the list—**true** to discard untagged frames for the port, or **false** to accept untagged frames for the port.

6. In the port row, double-click the cell in the **FilteredUnregisteredFrame** column.
7. Select a value from the list—**true** to discard unregistered frames for the port, or **false** to process unregistered frames normally for the port.
8. In the port row, double-click the cell in the **DefaultVlanId** column.
9. Type a value for the default VLAN ID.
10. In the port row, double-click the cell in the **PortPriority** column.
11. Select a value from the list.
12. In the port row, double-click the cell in the **Tagging** column.
13. Select a value from the list.
14. In the port row, double-click the cell in the **PrivateVlanPortType** column.
15. Select the port type from the list.
16. You can repeat the above steps to configure VLAN memberships for additional ports.
17. Click **Apply**.
18. On the toolbar, you can click **Refresh** to update the work area data display.

Variable definitions

Variable	Value
Index	Indicates the switch position in the stack and the port number. This is a read-only value.
VlanIds	Indicates the VLAN IDs of which this port is a member. This is a read-only value.
DiscardUntaggedFrames	<p>Specifies how untagged frames received on this port are processed.</p> <ul style="list-style-type: none"> • true—untagged frames are discarded by the forwarding process • false—untagged frames are assigned to the VLAN specified by the VLAN ID. <p>This column applies to trunk ports only.</p>
FilteredUnregisteredFrame	<p>Specifies how unregistered frames received on this port are processed.</p> <ul style="list-style-type: none"> • true—unregistered frames are discarded by the forwarding process • false—unregistered frames are assigned to the VLAN specified by the VLAN ID. <p>This column applies to access ports only.</p>
DefaultVlanId	Specifies the VLAN ID assigned to untagged and unregistered frames received on a port.

Table continues...

Variable	Value
PortPriority	Specifies the port priority for the switch to consider as it forwards received packets. Values range from 0 to 7.
Tagging	<p>Specifies the type of VLAN port. Possible values are:</p> <ul style="list-style-type: none"> • untagAll (access) • tagAll (trunk) • untagPvidOnly • tagPvidOnly <p>If the port is a trunk port, the port is often a member of more than one VLAN. If the port is an access port, the port can only be a member of one VLAN.</p>
PrivateVlanPortType	<p>Specifies the port type. If not specified, the port type defaults to None.</p> <ul style="list-style-type: none"> • Isolated: An Isolated port can belong only to one private VLAN. • Promiscuous: A Promiscuous port can belong to many private VLANs. • Trunk: A Trunk port can belong to many private VLANs, is tagged, and can also belong to non-private VLANs.

Selecting VLAN configuration control using EDM

Use the following procedure to select configuration control for a VLAN.

Procedure steps

1. From the navigation tree, double-click **VLAN**.
2. In the VLAN tree, double-click **VLANs**.
3. In the work area, click the **Settings** tab.
4. In the ManagementVlanID dialog box, type a value.
5. In the **VlanConfigControl** section, click a radio button.
6. On the toolbar, click **Apply**.

Variable Definitions

Variable	Value
ManagementVlanId	Specifies the identifier of the management VLAN. Values range from 1 to 4094.
VlanConfigControl	<p>Specifies the VLAN configuration control options. The available options are:</p> <ul style="list-style-type: none"> • automatic—This selection automatically adds an untagged port to a new VLAN and automatically removes it from any previous VLAN membership. The PVID of the port is automatically changed to the VID of the VLAN it joins. Since the port is first added to the new VLAN and then removed from any previous membership, the Spanning Tree Group participation of the port is not disabled as long as the VLANs involved are in the same Spanning Tree Group. • autopvid—This selection functions in the same manner as previous AutoPVID functionality. When an untagged port is added to a new VLAN, the port is added to the new VLAN and the PVID assigned to the new VID without removing it from any previous VLAN memberships. Using this option, an untagged port can have membership in multiple VLANs. • flexible—This selection functions in a similar manner to disabling AutoPVID functionality. When this option is used, an untagged port can belong to an unlimited number of VLANs. Any new additions of an untagged port to a new VLAN does not change the PVID of that port. • strict—The factory default, this selection restricts the addition of an untagged port to a VLAN if it is already a member of another VLAN. To add an untagged port to a new VLAN, the switch administrator must remove the port from all other VLANs of which it is a member before adding it to the new VLAN. The PVID of the port is changed to the new VID to which it was added.

Private VLAN configuration

Private VLANs provide isolation between ports within a Layer-2 service. The primary and secondary VLAN make the private VLAN. Standard VLAN configuration takes place on the primary VLAN. The secondary VLAN is virtual and inherits configuration from the primary VLAN.

Use the information in this section to configure private VLAN and view the details.

Creating a private VLAN using EDM

Before you begin

- To create a private VLAN, you must set the VLAN type to private and set the private VLAN port type
- The ports you add to a private VLAN must have a port type of isolated, promiscuous, or trunk

Procedure

1. In the navigation tree, expand the following folders: **Configuration > VLAN**.
2. Click **VLANs**.
3. In the **Basic** tab, click **Insert**.
4. In the **Id** box, enter an unused VLAN ID, or use the ID provided.
5. In the **Name** box, type the VLAN name, or use the name provided.
6. In the **Stgld** field, specify the IDs to associate STG with the selected VLAN or VLANs.
7. In the **Type** box, select **private**.
8. In the **Secondary Vlan** box, enter an unused VLAN ID.
9. Click **Insert**.
10. Click the **Ports** tab to set the port type for the private VLAN.
11. In the work area, in the Make Selection section of the Multiple Port Configuration pane, click the Switch/Stack/Ports ellipsis (...) to open the Port Editor dialog.
12. In the Port Editor: Switch/Stack/Ports window, click the ports for which to set the port type.
13. Click **OK**.
14. In the Multiple Port Configuration pane, double-click the cell in the PrivateVlanPortType column and select a value from the list.
15. Click **Apply Selection**.
16. Click **Apply**.
17. In the **PortMembers** column, double click the row corresponding to the VLAN for which to add ports.
18. Click on the ports to add as member ports and select **Ok**.
The ports that are selected are recessed, while the non-selected ports are not recessed. Port numbers that appear dimmed cannot be selected as VLAN port members.
19. Click **Apply**.

The VLAN is added to the **Basic** tab.

Basic field descriptions

Use the data in the following table to use the **Basic** tab.

Variable	Value
Id	Indicates the VLAN ID for the VLAN.
Name	Indicates the name of the VLAN.
IfIndex	Indicates the interface index.
Type	Indicates the VLAN type as defined by the policy used to define the VLAN port membership. Values include: <ul style="list-style-type: none"> • byPort—VLAN by Port • byProtocolId—VLAN by Protocol ID • spbm-bvlan — SPBM B-VLAN • spbm-switchedUni — SPBM switched UNI VLAN • private—Private VLAN
SecondaryVlanId	Indicates the secondary VLAN ID.
VoiceEnabled	Indicates whether VLAN is a voice VLAN (true) or not (false).
SpbMcast	Indicates whether IP Shortcut multicast routing is enabled or disabled on the VLAN.
RspanEnabled	Indicates whether VLAN is an RSPAN VLAN (true) or not (false).
I-sid	Indicates the VLAN I-SID ID.
Secondary I-sid	Indicates the secondary VLAN I-SID.
PortMembers	Indicates the ports that are members of the VLAN.
ActiveMembers	Indicates the ports that are currently active in the VLAN. Active ports include all static ports and any dynamic ports where the VLAN policy was met.
StgId	Indicates the STG to which the selected VLAN belongs. <p>! Important:</p> <p>This column is available only when the switch is operating in the STG mode. Ethernet Routing Switch 4000 Series does not support multiple STGs when operating in the RSTP mode.</p>
MstpInstance	Indicates the MSTP instance associated with the VLAN. Values include: <ul style="list-style-type: none"> • none • cist • msti-1-7 <p>! Important:</p> <p>This column is available only when the switch is operating in the MSTP mode.</p>
ProtocolId	Indicates the protocol identifier for the VLAN. The protocol ID is significant only when the VLAN type is <i>byProtocolId</i> . Values include: <ul style="list-style-type: none"> • ip

Table continues...

Variable	Value
	<ul style="list-style-type: none"> • ipx802dot3 • ipx802dot2 • ipxSnap • ipxEthernet2 • appleTalk • decLat • decOtherEther2 • sna802dot2 • snaEthernet2 • netBios • xns • vines • ipv6 • usrDefined • rarp
UserDefinedPid	Indicates the user defined protocol identifier for a protocol based VLAN.
Encap	<p>Indicates the encapsulation type for user defined protocol based VLANs only. Values include:</p> <ul style="list-style-type: none"> • ethernet2 • llc • snap <p>By default there is no value in this cell.</p>
MacAddress	Indicates the MAC address associated with the VLAN.
Routing	Indicates whether routing is enabled (true) or disabled (false) for the VLAN.

*** Note:**

If you change the name of an existing VLAN using the VLAN **Basic** tab, or using CLI, the new name does not initially appear in EDM. To display the updated name, perform one of the following actions:

- Refresh your browser to reload EDM
- Restart EDM (logout and login)
- Click **Refresh** in the VLAN **Basic** tab toolbar. If the old VLAN name appears in any other tabs, click the **Refresh** toolbar button.

Use the data in the following table to use the **Ports** tab.

Name	Description
PrivateVlanPortType	<p>Specifies the port type. If not specified, the port type defaults to None.</p> <ul style="list-style-type: none"> • Isolated: An Isolated port can belong only to one private VLAN • Promiscuous: A Promiscuous port can belong to many private VLANs. • Trunk: A Trunk port can belong to many private VLANs, is tagged, and can also belong to non-private VLANs.

Viewing private VLAN information

Procedure

1. In the navigation tree, expand the following folders: **Configuration > VLAN**.
2. Click **VLANs**.
3. In the work area, click the **Private VLAN** tab.

Private VLAN field descriptions

Use the data in the following table to use the **Private VLAN** tab.

Variable	Value
Primary Vlan	Indicates the VLAN ID for the primary VLAN.
Secondary Vlan	Indicates the VLAN ID for the secondary VLAN.
Primary / Secondary I-sid	Indicates the primary and secondary I-SID ID. The primary and secondary I-SID IDs are identical in this release.

Enabling AutoPVID using EDM

Use this procedure to automatically assign a port VLAN ID to any port by enabling the AutoPVID functionality on the switch.

Procedure steps

1. From the navigation tree, double-click **Edit**.
2. In the Edit tree, double-click **Chassis**.
3. In the Chassis tree, double-click **Chassis**.

4. In the work area, click the **System** tab.
5. In the AutoPVID section, click the enabled radio button.
6. Click **Apply**.

Port configuration for VLANs using EDM

Use the information in this section to view and configure specific ports for VLAN membership.

Viewing port VLAN membership information using EDM

Use this procedure to display the VLAN membership information for switch ports.

Procedure steps

1. From the Device Physical View, click a port.
2. From the navigation tree, double-click **Edit**.
3. In the Edit tree, double-click **Chassis** .
4. In the Chassis tree, double-click **Ports** .
5. Click the **VLAN** tab.

Variable definitions

Variable	Value
VlanIds	Indicates the VLAN IDs of which this port is a member. This is a read-only value.
DiscardUntaggedFrames	Indicates how untagged frames received on this port are processed. <ul style="list-style-type: none"> • true—untagged frames are discarded by the forwarding process • false—untagged frames are assigned to the VLAN specified by the VLAN ID. This column applies to trunk ports only.
FilteredUnregisteredFrame	Indicates how unregistered frames received on this port are processed. <ul style="list-style-type: none"> • true—unregistered frames are discarded by the forwarding process • false—unregistered frames are assigned to the VLAN specified by the VLAN ID. This column applies to access ports only.

Table continues...

Variable	Value
DefaultVlanId	Indicates the VLAN ID assigned to untagged and unregistered frames received on a port.
PortPriority	Indicates the port priority for the switch to consider as it forwards received packets. Values range from 0 to 7.
Tagging	Indicates the type of VLAN port. Possible values are: <ul style="list-style-type: none"> • untagAll (access) • tagAll (trunk) • untagPvidOnly • tagPvidOnly <p>If the port is a trunk port, the port is often a member of more than one VLAN. If the port is an access port, the port can only be a member of one VLAN.</p>
PrivateVlanPortType	Specifies the port type. If not specified, the port type defaults to None. <ul style="list-style-type: none"> • Isolated: An Isolated port can belong only to one private VLAN. • Promiscuous: A Promiscuous port can belong to many private VLANs. • Trunk: A Trunk port can belong to many private VLANs, is tagged, and can also belong to non-private VLANs.

Configuring ports for VLAN membership

Use the following procedure to configure one or more ports for VLAN membership.

Procedure

1. From the **Device Physical View**, select a port, or use Ctrl-click to select more than one port.
2. From the navigation tree, double-click **Edit**.
3. In the VLAN tree, click **Chassis**.
4. In the work area, click the **Ports** tab.
5. Click the **VLAN** tab.
6. Select **DiscardUntaggedFrames** to discard untagged frames for the port, or deselect **DiscardUntaggedFrames** to accept untagged frames for the port.
7. Select **FilteredUnregisteredFrame** to discard unregistered frames for the port, or deselect **FilteredUnregisteredFrame** to process unregistered frames normally for the port.
8. In the **DefaultVlanId**, enter the VLAN ID.
9. From the **PortPriority** drop-down, select the port priority.
10. From the **Tagging**, select the tagging type of VLAN port.

11. From the **PrivateVlanPortType**, select the VLAN port type.
12. You can repeat the above steps to configure VLAN memberships for additional ports.
13. Click **Apply**.
14. On the toolbar, you can click **Refresh** to update the work area data display.

Variable definitions

Variable	Value
VlanIds	Indicates the VLAN IDs of which this port is a member. This is a read-only value.
DiscardUntaggedFrames	Specifies how untagged frames received on this port are processed. <ul style="list-style-type: none"> • true—untagged frames are discarded by the forwarding process • false—untagged frames are assigned to the VLAN specified by the VLAN ID. This column applies to trunk ports only.
FilteredUnregisteredFrame	Specifies how unregistered frames received on this port are processed. <ul style="list-style-type: none"> • true—unregistered frames are discarded by the forwarding process • false—unregistered frames are assigned to the VLAN specified by the VLAN ID. This column applies to access ports only.
DefaultVlanId	Specifies the VLAN ID assigned to untagged and unregistered frames received on a port.
PortPriority	Specifies the port priority for the switch to consider as it forwards received packets. Values range from 0 to 7.
Tagging	Specifies the type of VLAN port. Possible values are: <ul style="list-style-type: none"> • untagAll (access) • tagAll (trunk) • untagPvidOnly • tagPvidOnly If the port is a trunk port, the port is often a member of more than one VLAN. If the port is an access port, the port can only be a member of one VLAN.
PrivateVlanPortType	Specifies the port type. If not specified, the port type defaults to None. <ul style="list-style-type: none"> • Isolated: An Isolated port can belong only to one private VLAN. • Promiscuous: A Promiscuous port can belong to many private VLANs.

Table continues...

Variable	Value
	<ul style="list-style-type: none"> Trunk: A Trunk port can belong to many private VLANs, is tagged, and can also belong to non-private VLANs.

Adding static addresses to the MAC address table using EDM

Use the following procedure to add static addresses to the MAC address table.

Procedure steps

1. From the navigation tree, double-click **Edit**.
2. In the Edit tree, click **Bridge**.
3. In the work area, click the **Static FDB** tab.
4. To add a static MAC address, on the toolbar, click **Insert**.
5. Click the **Id** ellipsis (...)
6. Select a VLAN Id.
7. Click **Ok**.
8. In the **Address** dialog box, type a MAC address.
9. In the Interface dialog box, select **Port** or **Mlt**.
10. Select listed ports or trunks and click **Ok**
11. Click **Insert**.

Variable definitions

Variable	Value
Id	Indicates the VLAN ID for the VLAN
Address	Indicates the MAC address to be added, range from 0:0:0:0:0 to FE:FF:FF:FF:FF:FF. Address can only be a unicast address.
Interface	Specifies the interface (port or mlt) to add the MAC address.

Removing a static address from the MAC address table using EDM

Use the following procedure to remove a static address from the MAC address table.

Procedure steps

1. From the navigation tree, double-click **Edit**.
2. In the Edit tree, click **Bridge**.
3. In the work area, click the **Static FDB** tab.
4. To select an address to remove, click the address.
5. Click **Delete**.
6. Click **Yes** to confirm.

MAC address table management using EDM

Use the information in this section to manage the MAC address table by clearing entries.

Important:

In certain situations, due to the hash algorithm used by switch to store MAC addresses into memory, some MAC addresses cannot be learned.

Flushing the MAC address table using EDM

Use the following procedure to clear MAC addresses from the MAC address table.

Procedure steps

1. From the navigation tree, double-click **Edit**.
2. In the Edit tree, double-click **Bridge**.
3. In the work area, click the **MAC Flush** tab.
4. Click **FlushMacAddrTableAll**, select the port or portlist, or type the VLAN, trunk, or MAC address in the corresponding box.
5. Click **Apply**.

Variable definitions

Table 14: MAC Flush tab parameters

Variable	Value
FlushMacAddrTableAll	Flushes all MAC addresses from MAC address table.
FlushMacAddrTableByPortlist	Flushes the MAC addresses for the port(s) specified from the MAC address table.
FlushMacAddrTableByVlan	Flushes the MAC addresses for the VLAN specified from the MAC address table.
FlushMacAddrTableByTrunk	Flushes the MAC addresses for the Multi-Link Trunk specified from the MAC address table.
FlushMacAddrTableByAddress	Flushes the specified MAC address from the MAC address table.

Flushing Ethernet interface-based MAC addresses from the MAC address table using EDM

Use the following procedure to clear Ethernet interface-based MAC addresses from the MAC address table.

Procedure steps

1. From the navigation tree, double-click **Edit**.
2. In the Edit tree, double-click **Bridge**.
3. On the work area, click the **MAC Flush** tab.
4. Click the **FlushMacAddrTableByPortList** ellipsis (...).
5. Select one or more specific ports.

OR

Click **ALL** to select all the ports.

6. Click **Ok**.
7. Click **Apply**.

Flushing VLAN-based MAC addresses from the MAC address table using EDM

Use the following procedure to clear VLAN-based MAC addresses from the MAC address table.

Procedure steps

1. From the navigation tree, double-click **Edit**.

2. In the Edit tree, double-click **Bridge**.
3. On the work area, click the **MAC Flush** tab.
4. In the **FlushMacAddrTableByVlan** dialog box, type a VLAN ID ranging from 1 to 4094.
5. Click **Apply**.

Flushing trunk-based MAC addresses from the MAC address table using EDM

Use the following procedure to clear trunk-based MAC addresses from the MAC address table.

Procedure steps

1. From the navigation tree, double-click **Edit**.
2. In the Edit tree, double-click **Bridge**.
3. On the work area, click the **MAC Flush** tab.
4. In the **FlushMacAddrTableByTrunk** dialog box, type a trunk value ranging from 1 to 32.
5. Click **Apply**.

Flushing a specific MAC address from the MAC address table using EDM

Use the following procedure to remove a single specific MAC address from the MAC address table.

Procedure steps

1. From the navigation tree, double-click **Edit**.
2. In the Edit tree, double-click **Bridge**.
3. On the work area, click the **MAC Flush** tab.
4. In the **FlushMacAddrTableByAddress** dialog box, type a MAC address.
5. Click **Apply**.

Configuring MAC address learning using EDM

Use the following procedure to configure the MAC address learning and to configure the aging time.

Procedure steps

1. From the navigation tree, double-click **Edit**.
2. In the Edit tree, double-click **Bridge**.

3. On the work area, click the **Transparent** tab.
4. In the **AgingTime** dialog box, type a value.
5. To select a port to enable learning, click the **MacAddrTableLearningPorts** ellipsis (...).
6. To enable MAC learning, select one or more port numbers.

OR

To disable MAC learning, deselect one or more port numbers.

*** Note:**

If you disable or enable a port that is part of an active MLT trunk or has the same LACP key, you also disable or enable the other ports in the trunk so that all ports in the trunk share the same behavior.

7. Click **Ok**.
8. On the tool bar, click **Apply**.

Variable definitions

Variable	Value
LearnedEntryDiscards	Indicates the number of Forwarding Database entries learned that are discarded due to insufficient space in the Forwarding Database. If this counter increases, it indicates that the Forwarding Database is becoming full regularly. This condition affects the performance of the subnetwork. If the counter has a significant value and is not presently increasing, it indicates that the problem has occurred but is not persistent.
AgingTime	Indicates the time-out period in seconds for removing old dynamically learned forwarding information. ! Important: The 802.1D-1990 specification recommends a default of 300 seconds.
MacAddrTableLearningPorts	Specifies the ports which are enabled for MAC learning.

Chapter 15: MultiLink Trunk configuration using Enterprise Device Manager

This chapter provides information you can use to create and manage Multi Link Trunks using Enterprise Device Manager (EDM).

MLT configuration using EDM

Use the information in this section to create a MultiLink Trunk (MLT) and to modify existing MLT port memberships.

Viewing MLT configurations using EDM

Use this procedure to display MLT configuration information.


Procedure steps

1. From the navigation tree, double-click **VLAN**.
2. In the VLAN tree, double-click **MLT/LACP**.
3. In the work area, click the **MultiLink Trunks** tab.

Variable Definitions

Variable	Value
Id	Indicates the number of the MLT (assigned consecutively).
PortType	Indicates the port type. Values include: <ul style="list-style-type: none">• access• trunk
Name	Indicates a unique alphanumeric identifier for the MLT.
PortMembers	Indicates the switch or stack ports to assign to the MLT.

Table continues...

Variable	Value
VlanIds	Indicates the VLAN identifier. Displays the vlan based on port selected.
Loadbalance (Mode)	Indicates the mode of load balancing. Options are basic and advanced.
Enable	Indicates whether the MLT is enabled (true) or disabled (false) .  Important: You cannot enable an MLT if trunk port members are enabled for LACP.
LACP Key	Indicates the LACP key.


Creating an MLT using EDM

Create an MLT to form a link from the switch to another switch or server.

Procedure steps

1. From the navigation tree, double-click **VLAN**.
 2. In the VLAN tree, double-click **MLT/LACP**.
 3. In the work area, click the **MultiLink Trunks** tab.
 4. To select a trunk to create, click the trunk **Id**.
 5. In the trunk row, double-click the cell in the **Name** column.
 6. In the box, type a name for the MLT.
- OR**
- Accept the default MLT name.
7. In the trunk row, double-click the cell in the **PortMembers** column.
 8. From the list , select ports to add to the trunk.
 9. Click **Ok**.
 10. In the trunk row, double-click the cell in the **Loadbalance(Mode)** column.
 11. From the list, select a load balancing mode.
 12. In the trunk row, double-click the cell in the **Enable** column.
 13. From the list, select a value—**true** to enable the MLT, or **false** to disable the MLT.
 14. You can repeat steps **4** through **13** to create additional MLTs.
 15. Click **Apply**.

Variable Definitions

Variable	Value
Id	Specifies the number of the MLT (assigned consecutively).
PortType	Specifies the port type. Values include: <ul style="list-style-type: none"> • access • trunk
Name	Specifies a unique alphanumeric identifier for the MLT.
PortMembers	Specifies the switch or stack ports to assign to the MLT.
VlanIds	Specifies the VLAN identifier. Displays the vlan based on port selected.
Loadbalance (Mode)	Specifies the mode of load balancing. Options are basic and advanced.
Enable	Enables (true) or disables (false) the MLT. <p> Important:</p> <p>You cannot enable an MLT if trunk port members are enabled for LACP.</p>
LACP Key	Specifies the LACP key.

Modifying MLT port memberships using EDM


Modify MLT port memberships to change configuration parameters for an existing MLT.

Procedure steps

1. From the navigation tree, double-click **VLAN**.
2. In the VLAN tree, double-click **MLT/LACP**.
3. In the work area, click the **MultiLink Trunks** tab.
4. To select a trunk to modify, click the trunk **Id** of an existing trunk.
5. In the trunk row, double-click the cell in the **Enable** column.
6. From the list box, select **false** to disable the MLT.
7. Click **Apply**.
8. In the trunk row, double-click the cell in the **Name** column.
9. In the box, edit the MLT name as required.
10. In the trunk row, double-click the cell in the **PortMembers** column.
11. From the list box, select ports to add to or remove from the trunk.
12. Click **Ok**.

13. In the trunk row, double-click the cell in the **Loadbalance(Mode)** column.
14. From the list box, select a load balancing mode.
15. You can repeat steps **4** through **14** to modify additional MLTs.
16. Click **Apply**.

Variable Definitions

Variable	Value
Id	Specifies the number of the MLT (assigned consecutively).
PortType	Indicates the port type. Values include: <ul style="list-style-type: none"> • access • trunk
Name	Specifies a unique alphanumeric identifier for the MLT.
PortMembers	Specifies the switch or stack ports to assign to the MLT.
VlanIds	Specifies the VLAN identifier. Displays the vlan based on port selected.
Loadbalance (Mode)	Specifies the mode of load balancing. Options are basic and advanced.
Enable	Enables (true) or disables (false) the MLT.  Important: You cannot enable an MLT if trunk port members are enabled for LACP.
LACP Key	Specifies the LACP key.

Viewing MLT utilization using EDM

Use this procedure to display MLT utilization information.

Procedure steps

1. From the navigation tree, double-click **VLAN**.
2. In the VLAN tree, click **MLT/LACP**.
3. In the work area, click the **MLT Utilization** tab.

Variable definition

Variable	Value
Id	Displays the MLT ID.
PortIfIndex	Displays the port number.

Table continues...

Variable	Value
TrafficType	Displays the traffic type.
TrafficLast5Min	Displays MLT utilization for the last 5 minutes.
TrafficLast30Min	Displays MLT utilization for the last 30 minutes.
TrafficLast1Hour	Displays MLT utilization for the last hour.

Graphing MLT statistics using EDM

Use the following procedure to display and graph MLT interface statistics.

Procedure steps

1. From the navigation tree, double-click **VLAN**.
2. In the VLAN tree, double-click **MLT/LACP**.
3. In the work area, click the **MultiLink Trunks** tab.
4. Select an MLT row.
5. Click **Graph**.
6. Click the **Interface** tab.
7. Click the **Poll Interval** box.
8. From the list, select a poll interval time.
9. Click **Clear Counters**.
10. To select statistics to graph, click a row under one of the available column headings.
11. Click a **Line Chart**, **Area Chart**, **Bar Chart**, or **Pie Chart**.
12. To return to the MultiLink Trunks-Graph, Interface work area, click **Close**.

Variable definitions

Variable	Value
Poll Interval	Specifies the time interval in seconds, minutes, or hours that the switch polls the interface for MLT statistics. Located on menu bar.
InMulticastPkts	Indicates the number of packets delivered to this MLT that were addressed to a multicast address at this sublayer. For a MAC layer protocol, this number includes both Group and Functional addresses.

Table continues...

Variable	Value
OutMulticastPkts	Indicates the total number of packets that higher-level protocols requested be transmitted, and that were addressed to a multicast address at this MLT, including those that were discarded or not sent. For a MAC layer protocol, this number includes both Group and Functional addresses.
InBroadcastPkts	Indicates the number of packets delivered to this MLT that were addressed to a broadcast address at this sublayer.
OutBroadcastPkts	Indicates the total number of packets that higher-level protocols requested be transmitted, and that were addressed to a broadcast address at this MLT, including those that were discarded or not sent.
HCInOctets	Indicates the total number of octets received on the MLT interface, including framing characters.
HCOctets	Indicates the total number of octets transmitted out of the MLT interface, including framing characters.
HCInUcastPkts	Indicates the number of packets delivered by this sublayer to a higher layer or sublayer, that were not addressed to a multicast or broadcast address at this sublayer.
HCOctets	Indicates the number of packets that high-level protocols requested be transmitted that were not addressed to a multicast address at this MLT. This total number includes those packets discarded or unsent.
HCInMulticastPkt	Indicates the number of packets delivered to this MLT that were addressed to a multicast address at this sublayer. For a MAC layer protocol, this number includes both Group and Functional addresses.
HCOctets	Indicates the total number of packets that high-level protocols requested be transmitted, and that were addressed to a multicast address at this MLT, including those that were discarded or not sent. For a MAC layer protocol, this number includes both Group and Functional addresses.
HCInBroadcastPkt	Indicates the number of packets delivered to this MLT that were addressed to a broadcast address at this sublayer.
HCOctets	Indicates the total number of packets that high-level protocols requested be transmitted, and that were addressed to a broadcast address at this MLT, including those that were discarded or not sent.

Graphing MLT Ethernet error statistics using EDM

Use the following procedure to view and graph MLT Ethernet error statistics.

Procedure steps

1. From the navigation tree, double-click **VLAN**.
2. In the VLAN tree, double-click **MLT/LACP**.

3. In the work area, click the **MultiLink Trunks** tab.
4. Select an MLT row.
5. Click **Graph**.
6. Click the **Ethernet Errors** tab.
7. Click the **Poll Interval** box.
8. From the list, select a poll interval time.
9. Click **Clear Counters**.
10. To select error statistics to graph, click a row under one of the available column headings.
11. Click a **Line Chart**, **Area Chart**, **Bar Chart**, or **Pie Chart**.
12. To return to the MultiLink Trunks-Graph, Ethernet Errors work area, click **Close**.

Variable definitions

Variable	Value
Poll Interval	Specifies the time interval in seconds, minutes, or hours that the switch polls the interface for MLT Ethernet error statistics. Located on menu bar.
AlignmentErrors	Indicates a count of frames received on a particular MLT that are not an integral number of octets in length and do not pass the FCS check. The count represented by an instance of this object is incremented when the alignmentError status is returned by the MAC service to the LLC (or other MAC user). Received frames for which multiple error conditions occur are, according to the conventions of IEEE 802.3 Layer Management, counted exclusively according to the error status presented to the LLC.
FCSErrors	Indicates a count of frames received on an MLT that are an integral number of octets in length but do not pass the FCS check. The count represented by an instance of this object is incremented when the frameCheckError status is returned by the MAC service to the LLC (or other MAC user). Received frames for which multiple error conditions occur are, according to the conventions of IEEE 802.3 Layer Management, counted exclusively according to the error status presented to the LLC.
IMacTransmit Error	Indicates a count of frames for which transmission on a particular MLT fails due to an internal MAC sublayer transmit error. A frame is only counted by an instance of this object if it is not counted by the corresponding instance of either the LateCollisions object, the ExcessiveCollisions object, or the CarrierSenseErrors object.
IMacReceive Error	Indicates a count of frames for which reception on a particular MLT fails due to an internal MAC sublayer receive error. A frame is only counted by an instance of this object if it is not counted by the corresponding instance of either the FrameTooLongs object, the AlignmentErrors object, or the FCSErrors object.

Table continues...

Variable	Value
	The precise meaning of the count represented by an instance of this object is implementation specific. In particular, an instance of this object may represent a count of receive errors on a particular interface that are not otherwise counted.
CarrierSense Error	Indicates the number of times that the carrier sense condition was lost or never asserted when attempting to transmit a frame on a particular MLT. The count represented by an instance of this object is incremented at most once per transmission attempt, even if the carrier sense condition fluctuates during a transmission attempt.
FrameTooLong	Indicates a count of frames received on a particular MLT that exceed the maximum permitted frame size. The count represented by an instance of this object is incremented when the frameTooLong status is returned by the MAC service to the LLC (or other MAC user). Received frames for which multiple error conditions occur are, according to the conventions of IEEE 802.3 Layer Management, counted exclusively according to the error status presented to the LLC.
SQETestError	Indicates a count of times that the SQE TEST ERROR message is generated by the PLS sublayer for a particular MLT. The SQE TEST ERROR message is defined in section 7.2.2.2.4 of ANSI/IEEE 802.3-1985 and its generation is described in section 7.2.4.6 of the same document.
Deferred Transmiss	Indicates a count of frames for which the first transmission attempt on a particular MLT is delayed because the medium is busy. The count represented by an instance of this object does not include frames involved in collisions.
SingleCollFrames	Indicates a count of successfully transmitted frames on a particular MLT for which transmission is inhibited by exactly one collision. A frame that is counted by an instance of this object is also counted by the corresponding instance of either the ifOutUcastPkts, ifOutMulticastPkts, or ifOutBroadcastPkts, and is not counted by the corresponding instance of the MultipleCollisionFrames object.
MultipleColl Frames	Indicates a count of successfully transmitted frames on a particular MLT for which transmission is inhibited by more than one collision. A frame that is counted by an instance of this object is also counted by the corresponding instance of either the ifOutUcastPkts, ifOutMulticastPkts, or ifOutBroadcastPkts, and is not counted by the corresponding instance of the SingleCollisionFrames object.
LateCollisions	Indicates the number of times that a collision is detected on a particular MLT later than 512 bit-times into the transmission of a packet. Five hundred and twelve bit-times corresponds to 51.2 microseconds on a 10 Mb/s system. A (late) collision included in a count represented by an instance of this object is also considered as a (generic) collision for purposes of other collision-related statistics.
ExcessiveCollis	Indicates a count of frames for which transmission on a particular MLT fails due to excessive collisions.

Configuring an MLT for STP

Use this procedure to configure STP on an MLT.

Before you begin

- Select **stg** as the STP operating mode.

Procedure

1. From the navigation tree, double-click **VLAN**.
2. In the VLAN tree, click **MLT/LACP**.
3. In the MLT/LACP work area, click the **MultiLink Trunks** tab.
4. Select an MLT row.
5. On the toolbar, click **STP**.
6. In the **MLT Spanning Tree Settings** work area, configure STP as required.
7. On the toolbar, click **Apply**.
8. On the toolbar, you can click **Refresh** to verify the STP configuration.

Variable definitions

Variable	Value
StgId	Indicates the STG to associate with the MLT.
State	Indicates the STP operational state. Values include: <ul style="list-style-type: none"> • Disabled • Blocking • Listening • Learning • Forwarding
EnableStp	Enables (true) or disables (false) STP for the selected MLT.
FastStart	Indicates whether Fast Start STP is enabled (true) or disabled (false) for the MLT.

Selecting an SLPP Guard Ethernet type using EDM

Use this procedure to select an SLPP Guard Ethernet type for the switch.

! **Important:**

You must configure Ethertype to match the SLPP Ethernet type on the adjacent core or distribution switches that have SLPP enabled.

Procedure steps

1. From the navigation tree, double-click **VLAN**.
2. From the VLAN tree, click **SLPP**.
3. In the work area, click the **Global** tab.
4. Type a value in the **EtherType** box.
5. On the toolbar, click **Apply**.

Configuring the SLPP by VLAN

Activate SLPP on a VLAN to enable forwarding of the SLPP packet over the VLAN. This configuration controls the boundary of SLPP-PDU transmission.

Before you begin

Enable SLPP globally before you configure it on a VLAN.

Procedure

1. From the navigation tree, double-click **VLAN**.
2. From the VLAN tree, click **SLPP**.
3. Select the **VLANs** tab.
4. Double click the **SlppEnable** box to enable (true) or disable (false) SLPP.
5. Click **Apply**.

Configuring the SLPP by port

Use SLPP on a port to avoid traffic loops on the port.

Before you begin

Enable SLPP globally before you configure it on a port.

Procedure

1. From the navigation tree, double-click **VLAN**.
2. From the VLAN tree, click **SLPP**.
3. Select the **Ports** tab.

4. Double-click the **SlppEnable** box, to enable (true) or disable (false) SLPP.
5. Double-click the **PktRxThreshold** box to edit the threshold value for packet reception.
6. Optionally, to configure parameters for multiple ports, you can use the Multiple Port Configuration section as below.
7. In the work area, in the Make Selection section of the Multiple Port Configuration pane, click the Switch/Stack/Ports ellipsis (...) to open the Port Editor dialog. If there is no Switch/Stack/Ports selection and you have already selected ports from the Device Physical View, proceed to the next step.
 - a. In the Port Editor window, click the ports you want to configure. If you want to configure all ports, click All.
 - b. Click OK to return to the Make Selection pane.

The ports you selected appear in the Switch/Stack/Ports box.
8. To change the configuration of the selected ports, in the Multiple Port Configuration pane, double-click the cell beneath the column heading that represents the parameter you want to change and do one of the following:
 - If applicable, select a value from a drop-down list.
 - Otherwise, type a value in the cell.
9. In the Make Selection pane, click **Apply Selection**.
10. (Optional) Click Clear Selection to clear Multiple Port Configurations or click Hide Non-Editable to display only those parameters that are editable in the Multiple Port Configuration pane for the selected ports
11. Click **Apply**.
12. Click **Close**.

Configuring SLPP Guard

Use the following procedure to configure SLPP Guard for switch ports.

*** Note:**

SLPP packets are generated only on switches that are configured with SLPP - for example ERS 5000 Series or ERS 8300. The switch does not support SLPP. When you enable SLPP Guard on the switch, it must be connected to another switch that supports SLPP and SLPP must be enabled on that switch.

Procedure

1. From the navigation tree, double-click **VLAN**.
2. In the VLAN tree, click **SLPP**.

3. In the work area, click the **SLPP Guard** tab.
4. In the port row, double-click the cell in the **Enabled** column.
5. Select **true** from the drop-down list to enable SLPP Guard, or **false** to disable SLPP Guard for the port.
6. In the port row, double-click the cell in the **Timeout** column.
7. Type a value in the **Timeout** box.
8. Click **Apply**.
9. On the toolbar, you can click **Refresh** to update the work area data display.

Variable Definitions

Variable	Value
IfIndex	Specifies the port on which to configure SLPP Guard.
Enable	Enables (true) or disables (false) SLPP Guard for the port.
Timeout	Specifies the time period, in seconds, for which SLPP Guard disables the port. After the timeout period expires, the switch re-enables the port. The timeout value can be 0 or a value ranging from 10 to 65535. With a value of 0, the port remains disabled until it is manually re-enabled. The default Timeout value is 60 seconds.
Status	Displays the SLPP Guard status for the port.
TimerCount	Indicates the time, in seconds, that elapses after SLPP Guard disables a port. When the TimerCount value equals the Timeout value, the switch re-enables the port.

Viewing the SLPP Guard configuration using EDM

Use this procedure to display SLPP Guard configuration information for switch ports.

Procedure steps

1. From the navigation tree, double-click **VLAN**.
2. From the VLAN tree, click **SLPP**.
3. In the work area, click the **SLPP Guard** tab.

Variable definition

Variable	Value
IfIndex	Indicates the port for which the SLPP Guard information is displayed.

Table continues...

Variable	Value
Enable	Enables (true) or disables (false) SLPP Guard for the port.
Timeout	Specifies the time period, in seconds, for which SLPP Guard disables the port. After the timeout period expires, the switch re-enables the port. The timeout value can be 0 or a value ranging from 10 to 65535. With a value of 0, the port remains disabled until it is manually re-enabled. The default Timeout value is 60 seconds.
Status	Displays the SLPP Guard status for the port.
TimerCount	Indicates the time, in seconds, that elapses after SLPP Guard disables a port. When the TimerCount value equals the Timeout value, the switch re-enables the port.

Chapter 16: SLPP Configuration using EDM

This chapter provides procedures used to configure Simple Loop Prevention Protocol (SLPP) using EDM.

Configuring the SLPP by VLAN

Activate SLPP on a VLAN to enable forwarding of the SLPP packet over the VLAN. This configuration controls the boundary of SLPP-PDU transmission.

Before you begin

Enable SLPP globally before you configure it on a VLAN.

Procedure

1. From the navigation tree, double-click **VLAN**.
2. From the VLAN tree, click **SLPP**.
3. Select the **VLANs** tab.
4. Double click the **SlppEnable** box to enable (true) or disable (false) SLPP.
5. Click **Apply**.

Enabling SLPP

About this task

Use this procedure to globally enable SLPP.

Procedure

1. From the navigation tree, double-click **VLAN**.
2. From the VLAN tree, click **SLPP**.
3. Select the **Global** tab.
4. Select the **GlobalEnable** checkbox.
5. Click **Apply**.

6. Click **Close**.

Configuring SLPP PDU using EDM

About this task

Use this procedure to configure SLPP PDU using EDM.

Procedure

1. From the navigation tree, double-click **VLAN**.
2. From the VLAN tree, click **SLPP**.
3. Select the **Global** tab.
4. To enable SLPP, select **GlobalEnable**.
5. In the **TransmissionInterval** text box, enter the value, in milliseconds, for the transmit interval.
6. In the **EtherType** text box, enter the value for ether type.
7. In the **PortsReEnableTimeout** text box, enter the value, in seconds, for the timeout.
8. Click **Apply**.
9. Click **Close**.

Configuring SLPP PDU ether type

About this task

Use this procedure to configure the SLPP PDU ether type value:

Procedure

1. From the navigation tree, double-click **VLAN**.
2. From the VLAN tree, double-click **SLPP**.
3. Select the **Global** tab.
4. In the **EtherType** text box, enter the value for ether type.
5. Click **Apply**.
6. Click **Close**.

Configuring SLPP port auto enable

About this task

Use this procedure to configure the auto enable timer for ports shut down by SLPP.

Procedure

1. From the navigation tree, double-click **VLAN**.
2. From the VLAN tree, click **SLPP**.
3. Select the **Global** tab.
4. In the **PortsReEnableTimeout** text box, enter the value, in seconds, for the timeout in the range 0 to 65535.
5. Click **Apply**.
6. Click **Close**.

Configuring the SLPP by port

Use SLPP on a port to avoid traffic loops on the port.

Before you begin

Enable SLPP globally before you configure it on a port.

Procedure

1. From the navigation tree, double-click **VLAN**.
2. From the VLAN tree, click **SLPP**.
3. Select the **Ports** tab.
4. Double-click the **SlppEnable** box, to enable (true) or disable (false) SLPP.
5. Double-click the **PktRxThreshold** box to edit the threshold value for packet reception.
6. Optionally, to configure parameters for multiple ports, you can use the Multiple Port Configuration section as below.
7. In the work area, in the Make Selection section of the Multiple Port Configuration pane, click the Switch/Stack/Ports ellipsis (...) to open the Port Editor dialog. If there is no Switch/Stack/Ports selection and you have already selected ports from the Device Physical View, proceed to the next step.
 - a. In the Port Editor window, click the ports you want to configure. If you want to configure all ports, click All.
 - b. Click OK to return to the Make Selection pane.

The ports you selected appear in the Switch/Stack/Ports box.

8. To change the configuration of the selected ports, in the Multiple Port Configuration pane, double-click the cell beneath the column heading that represents the parameter you want to change and do one of the following:
 - If applicable, select a value from a drop-down list.
 - Otherwise, type a value in the cell.
9. In the Make Selection pane, click **Apply Selection**.
10. (Optional) Click Clear Selection to clear Multiple Port Configurations or click Hide Non-Editable to display only those parameters that are editable in the Multiple Port Configuration pane for the selected ports
11. Click **Apply**.
12. Click **Close**.

Configuring the SLPP PDU receipt threshold

About this task

Use this procedure to enable the SLPP PDU received function on a port:

Procedure

1. From the navigation tree, double-click **VLAN**.
2. From the VLAN tree, click **SLPP**.
3. Select the **Ports** tab.
4. Under the **PktRxThreshold** heading, select the port you want to modify.
5. Double click and enter the value for the threshold in the range 1 to 500.
6. Click **Apply**.
7. Click **Close**.

Chapter 17: Spanning Tree Protocol Configuration using Enterprise Device Manager

This chapter describes how you can configure the Spanning Tree Protocol (STP) and Spanning Tree Groups (STGs) using Enterprise Device Manager (EDM).

Configuring the STP mode using EDM

Use the following procedure to configure the STP operational mode.

Procedure steps

1. From the navigation tree, double-click **VLAN**.
2. In the VLAN tree, double-click **Spanning Tree**.
3. In the Spanning Tree tree, double-click **Globals**.
4. Choose the STP mode in the **SpanningTreeAdminMode** field.
5. Select **BpduFilterIgnoreSelf** check-box to enable STP BPDU filtering ignore self.
Or
Clear the **BpduFilterIgnoreSelf** check-box to disable STP BPDU filtering ignore self.
6. On the toolbar, click **Apply**.
A warning message appears reminding you that you must reset the switch for the change to take effect.
7. Click **Yes**.
8. Click **Close**.

For information about resetting the switch, see the following section.

Resetting the switch using EDM

Use the following procedure to reset the switch.

Procedure steps

1. From the navigation tree, double-click **Edit**.
2. In the Edit tree, double-click **Chassis**.
3. In the Chassis tree, double-click **Chassis**.
4. On the work area, click the **System** tab.
5. In the ReBoot section, click the **bootPrimary** or **bootSecondary** radio button.
6. Click **Apply**.

Configuring STP BPDU filtering for specific ports using EDM

Use this procedure to configure STP BPDU filtering for one or more ports.

You can configure STP BPDU filtering in either STG, RSTP, or MSTP operational mode. STP BPDU-Filtering is not supported on MLT ports.

Procedure steps

1. On the **Device Physical View** select a port, or use Ctrl-click to select more than one port.
2. Right-click the port or group of ports.
3. From the drop-down menu, click **Edit**.
4. On the work area, click the **STP BPDU-Filtering** tab.
5. If you selected a group of ports on the Device Physical View, perform the following actions for each port in the list:
 - To select a port to edit, click the cell in the **rcPortIndex** column.
 - In the port row, double-click the cell in the **Admin Enabled** column.
 - Click the arrow to reveal the list.
 - Select a value from the list—**true** to enable STP BPDU filtering for the port, or **false** to disable STP BPDU filtering for the port.
 - In the port row, double-click the cell in the **Timeout** column.

- Type a value in the dialog box.
6. If you selected a single port on the Device Physical View:
 - Click the **AdminEnabled** check-box.
 - Enter a value in the **Timeout** box.
 7. On the toolbar, click **Apply**.

Variable Definitions

Variable	Value
rcPortIndex	Appears when multiple ports are selected. Indicates the switch and port number.
MltId	Appears when multiple ports are selected. Specifies the MLT that the port is assigned to. If the port is not assigned to an MLT, the MltId value is 0. This is a read-only cell.
AdminEnabled	Enables and disables BPDU filtering on the port.
OperEnabled	Indicates the current operational status of BPDU filtering on the port: true (enabled) or false (disabled).
Timeout	When BPDU filtering is enabled, this indicates the time (in 1/100 seconds) during which the port remains disabled after it receives a BPDU. The port timer is disabled if this value is set to 0. The default value is 12000 (120 seconds).
TimerCount	Displays the time remaining for the port to stay in the disabled state after receiving a BPDU.

Configuring STG globally using EDM

Use the following procedure to configure the STG for the switch.

Prerequisites

- Select stpg for the Spanning Tree administration mode.

Procedure steps

1. From the navigation tree, double-click **VLAN**.
2. In the VLAN tree, double-click **Spanning Tree**.
3. In the Spanning Tree tree, double-click **STG**.
4. In the work area, click the **Globals** tab.

5. In the **SpanningTreePathCostCalculationMode** section, click a radio button.
6. In the **SpanningTreePortMode** section, select a radio button.
7. In the SpanningTreeAdminCompatibility section, select the **port802dot1dLearning** check box to enable 8021d compliancy support.

OR

In the SpanningTreeAdminCompatibility section, clear the **port802dot1dLearning** check box to disable 8021d compliancy support.

8. Click **Apply**.

Variable Definitions

Variable	Value
SpanningTreePathCostCalculationMode	<p>Specifies the spanning-tree path cost calculation mode. Values include:</p> <ul style="list-style-type: none"> • ieee802dot1dCompatible • ieee802dot1tCompatible <p>You can select ieee802dot1dCompatible only when the global STP mode stpg is selected.</p>
SpanningTreePortMode	<p>Specifies the STG port membership mode for all Spanning Tree Groups on the switch. Values are:</p> <ul style="list-style-type: none"> • normal • auto
SpanningTreeAdminCompatibility	<p>Specifies the administrative feature compatibility mode.</p> <ul style="list-style-type: none"> • port802dot1dLearning—enables or disables STP 802.1D compliancy support for the switch
SpanningTreeOperCompatibility	<p>Indicates the operational feature compatibility mode. For some features, this read-only display will not change until the system is reset.</p>

STG configuration using EDM

Use the information in this section to create and manage STGs on your network.

STG configuration prerequisites

- Select stpg for the Spanning Tree administration mode.

For information about configuring the Spanning Tree administration mode, see [Configuring the STP mode using EDM](#) on page 254.

Viewing an STG using EDM

Use the following procedure to display STG configuration information.

Procedure steps

1. From the navigation tree, double-click **VLAN**.
2. In the VLAN tree, double-click **Spanning Tree**.
3. In the Spanning Tree tree, double-click **STG**.
4. On the work area, click the **Configuration** tab.

Variable Definitions

Use the data in the following table to help you understand the STG display.

Variable	Value
Id	Indicates the identifier for the STG. Values range from 1 to 8. The default STG ID is 1.
BridgeAddress	Indicates the MAC address used by a bridge when the bridge must be referred to in a unique fashion. The bridge MAC address can be integrated with the priority value to form a unique bridge identifier that is used in the Spanning Tree Protocol.
NumPorts	Indicates the number of ports controlled by this bridging entity.
Protocol Specification	Indicates the version of the spanning tree protocol being run. Values include: <ul style="list-style-type: none"> • decLb100: Indicates the DEC LANbridge 100 Spanning Tree Protocol. • ieee8021d: IEEE 802.1d implementations will return this entry. When future versions of the IEEE Spanning Tree Protocol are released that are incompatible with the current version, a new value will be defined.
Priority	Indicates the first two octets of the 8-octet bridge ID. Values range from 0 to 65535.
BridgeMaxAge	Indicates the maximum time you want to allow before the specified STG times out, in seconds; the range, measured in hundredths of a second, is 600 (6 seconds) to 4000 (40 seconds).

Table continues...

Variable	Value
BridgeHelloTime	Indicates the maximum time between hellos, in seconds; the range, measured in hundredths of a second, is 100 (1 second) to 1000 (10 seconds).
BridgeForwardDelay	Indicates the maximum delay in forwarding, in seconds; the range, measured in hundredths of a second) is 400 (4 seconds) to 3000 (30 seconds).
EnableStp	Indicates whether STP is enabled (true) or disabled (false) for the STG.
TaggedBpduAddress	Indicates the destination MAC address assigned to tagged BPDUs.
TaggedBpduVlanId	Indicates the VLAN ID for tagged BPDUs. This value must be unique for each specific STG.

Modifying an STG using EDM

Use the following procedure to edit an existing STG configuration.

Procedure steps

1. From the navigation tree, double-click **VLAN**.
2. In the VLAN tree, double-click **Spanning Tree**.
3. In the Spanning Tree tree, double-click **STG**.
4. On the work area, click the **Configuration** tab.
5. To select an STG to edit, click the STG ID.
6. In the STG row, double-click the cell in the **Priority** column.
7. Type a value in the dialog box.
8. In the STG row, double-click the cell in the **BridgeMaxAge** column.
9. Type a value in the dialog box.
10. In the STG row, double-click the cell in the **BridgeHelloTime** column.
11. Type a value in the dialog box.
12. In the STG row, double-click the cell in the **EnableStp** column.
13. Select a value from the list—**true** to enable STP for the STG, or **false** to disable STP for the STG.
14. In the STG row, double-click the cell in the **TaggedBpduAddress** column.
15. Type a value in the dialog box.
16. In the STG row, double-click the cell in the **TaggedBpduVlanId** column.
17. Type a value in the dialog box.

18. You can repeat steps **6** through **17** to create additional STGs.
19. Click **Apply**.

Variable Definitions

Use the data in the following table to edit an existing STG.

Variable	Value
Id	Indicates the identifier for the STG. Values range from 1 to 8. The default STG ID is 1. This is a read-only cell.
BridgeAddress	Indicates the MAC address used by a bridge when the bridge must be referred to in a unique fashion. The bridge MAC address can be integrated with the priority value to form a unique bridge identifier that is used in the Spanning Tree Protocol. This is a read-only cell.
NumPorts	Indicates the number of ports controlled by this bridging entity. This is a read-only cell.
Protocol Specification	Version of the spanning tree protocol being run. Values include: <ul style="list-style-type: none"> • decLb100: Indicates the DEC LANbridge 100 Spanning Tree Protocol. • ieee8021d: IEEE 802.1d implementations will return this entry. When future versions of the IEEE Spanning Tree Protocol are released that are incompatible with the current version, a new value will be defined. This is a read-only cell.
Priority	Specifies the first two octets of the 8-octet bridge ID. Values range from 0 to 65535.
BridgeMaxAge	Specifies the maximum time you want to allow before the specified STG times out, in seconds; the range, measured in hundredths of a second, is 600 (6 seconds) to 4000 (40 seconds).
BridgeHelloTime	Specifies the maximum time between hellos, in seconds; the range, measured in hundredths of a second, is 100 (1 second) to 1000 (10 seconds).
BridgeForwardDelay	Specifies the maximum delay in forwarding, in seconds; the range, measured in hundredths of a second) is 400 (4 seconds) to 3000 (30 seconds).
EnableStp	Enables (true) or disables (false) STP for the STG.
TaggedBpduAddress	Specifies the destination MAC address assigned to tagged BPDUs.
TaggedBpduVlanId	Specifies the VLAN ID for tagged BPDUs. This value must be unique for each specific STG.

Creating an STG using EDM

Use the following procedure to create an STG.

Procedure steps

1. From the navigation tree, double-click **VLAN**.
2. In the VLAN tree, double-click **Spanning Tree**.
3. In the Spanning Tree tree, double-click **STG**.
4. On the work area, click the **Configuration** tab.
5. On the toolbar, click **Insert**.
6. Edit the default information in the dialog boxes to create an STG.
7. Click **Insert**.
8. You can repeat steps **5** through **7** to create additional STGs.
9. Click **Apply**.

Variable Definitions

Use the data in the following table to create an STG.

Variable	Value
Id	Identifies the STG. Vlaue range is 1–8; 1 is the default STG.
Priority	Specifies the first two octets of the 8-octet bridge ID; the range is 0–65535.
BridgeMaxAge	Specifies the maximum time you want to allow before the specified STG times out, in seconds; the range, measured in hundredths of a second, is 600 (6 seconds) to 4000 (40 seconds).
BridgeHelloTime	Specifies the maximum time between hellos, in seconds; the range, measured in hundredths of a second, is 100 (1 second) to 1000 (10 seconds).
BridgeForwardDelay	Specifies the maximum delay in forwarding, in seconds; the range, measured in hundredths of a second) is 400 (4 seconds) to 3000 (30 seconds).
TaggedBpduVlanId	Specifies the VLAN ID for tagged BPDUs.

Deleting an STG using EDM

Use this procedure to delete an STG.

Procedure steps

1. From the navigation tree, double-click **VLAN**.
2. In the VLAN tree, double-click **Spanning Tree**.
3. In the Spanning Tree tree, double-click **STG**.
4. On the work area, click the **Configuration** tab.
5. To select an STG to edit, click the STG ID.
6. Click **Delete**.

Moving a VLAN between STGs using EDM

You cannot use EDM to move VLANs between STGs on the switch. Instead, delete the VLAN to be moved and add a replacement VLAN in the STG to which you want to move the VLAN.

Viewing STG Status using EDM

Use this procedure to display the status of configured STGs.

Prerequisites

- Select stpg for the Spanning Tree administration mode.

For information about configuring the Spanning Tree administration mode, see [Configuring the STP mode using EDM](#) on page 254.

Procedure steps

1. From the navigation tree, double-click **VLAN**.
2. In the VLAN tree, double-click **Spanning Tree**.
3. In the Spanning Tree tree, double-click **STG**.
4. On the work area, click the **Status** tab.

Variable Definitions

Use the data in the following table to help you understand the STG status display.

Variable	Value
Id	Indicates the STG ID.
BridgeAddress	Indicates the MAC address used by this bridge.
NumPorts	Indicates the number of ports controlled by this bridging entity.
ProtocolSpecification	Indicates the version of spanning tree that is running.
TimeSinceTopologyChange	Indicates the time since the last topology change.
TopChanges	Indicates the number of topology changes since the switch was reset.
DesignatedRoot	Indicates the MAC address of the STP designated root.
RootCost	Indicates the cost of the path to the root.
RootPort	Indicates the port number of the port with the lowest-cost path from this bridge to the root bridge.
MaxAge	Indicates the maximum age, in hundredths of a second, of STP information learned from any port in the network before the information is discarded.
HelloTime	Indicates the amount of time, in hundredths of seconds, between Hello messages.
HoldTime	Indicates the interval, in hundredths of seconds, during which no more than two Hello messages can be transmitted.
ForwardDelay	Indicates the interval, in hundredths of seconds, during which the switch stays in Listening or Learning mode, before moving to Forwarding mode. This value is also used to age dynamic entries in the Forwarding Database.

STG port membership management using EDM

Use the information in this section to view and modify STG membership configurations for switch ports.

STG port membership management prerequisites

- Select stpg for the Spanning Tree administration mode.

For information about configuring the Spanning Tree administration mode, see [Configuring the STP mode using EDM](#) on page 254.

Viewing STG port information using EDM

Use this procedure to display STG port membership status.

Procedure steps

1. From the navigation tree, double-click **VLAN**.
2. In the VLAN tree, double-click **Spanning Tree**.
3. In the Spanning Tree tree, double-click **STG**.
4. On the work area, click the **Ports** tab.

Variable Definitions

Variable	Value
Port	Indicates the unit and port number.
StgId	Indicates the STG ID number.
Priority	Indicates the port priority
State	Indicates the STP state of the port—Disabled, Blocking, Listening, Learning, and Forwarding.
EnableStp	Indicates whether STP is enabled (true) or disabled (false) on the port.
FastStart	Indicates whether Fast Start STP is enabled (true) or disabled (false) on the port.
AdminPathCost	Indicates the PathCost value. The field displays 0 if no user-configured value exists.
PathCost	Indicates the contribution of this port to the cost path of the spanning tree root.
DesignatedRoot	Indicates the MAC address of the STP designated root.
DesignatedCost	Indicates the path cost of the designated port of the segment connected to this port.
DesignatedBridge	Indicates the MAC address of the designated bridge this port considers the designated bridge for this segment.
DesignatedPort	Indicates the port ID of the designated bridge for this port segment.
ForwardTransitions	Specifies the number of times the port transitioned from STP Learning to Forwarding state.

Configuring STG for port using EDM

Use this procedure to configure STG membership for switch ports.

Procedure steps

1. From the navigation tree, double-click **VLAN**.
2. In the VLAN tree, double-click **Spanning Tree**.
3. In the Spanning Tree tree, double-click **STG**.

4. On the work area, click the **Ports** tab.
5. To select an STG port to edit, click the port row.
6. In the port row, double-click the cell in the **Priority** column.
7. Type a value in the dialog box.
8. In the port row, double-click the cell in the **EnableStp** column.
9. Select a value from the list—**true** to enable STP for the port, or **false** to disable STP for the port.
10. In the port row, double-click the cell in the **FastStart** column.
11. Select a value from the list—**true** to enable fast start for the port, or **false** to disable fast start for the port.
12. In the port row, double-click the cell in the **AdminPathCost** column.
13. Type a value in the dialog box.
14. In the port row, double-click the cell in the **PathCost** column.
15. Type a value in the dialog box.
16. You can repeat steps **5** through **15** to configure STG for additional ports.
17. Click **Apply**.

Variable Definitions

Use the data in the following table to edit STG port configurations.

Variable	Value
Port	Specifies the unit and port number.
StgId	Specifies the STG ID number.
Priority	Specifies the port priority
State	Specifies the STP state of the port—Disabled, Blocking, Listening, Learning, and Forwarding.
EnableStp	Enables or disables STP on the port: True is enabled, and False is disabled.
FastStart	Enables or disables Fast Start STP on the port: True is enabled, and False is disabled.
AdminPathCost	Sets the PathCost value. The field displays 0 if no user-configured value exists.
PathCost	Specifies the contribution of this port to the cost path of the spanning tree root.
DesignatedRoot	Specifies the MAC address of the STP designated root.
DesignatedCost	Specifies the path cost of the designated port of the segment connected to this port.

Table continues...

Variable	Value
DesignatedBridge	Specifies the MAC address of the designated bridge this port considers the designated bridge for this segment.
DesignatedPort	Specifies the port ID of the designated bridge for this port segment.
ForwardTransitions	Specifies the number of times the port transitioned from STP Learning to Forwarding state.

Port STG membership configuration using EDM

Use the information in this section to view and modify switch port STG memberships.

Prerequisites

- Ensure that STP is enabled before enabling FastStart.

Viewing STG port membership information using EDM

Use this procedure to display information about switch port STG memberships.

Procedure steps

1. On the **Device Physical View** select a port or use CTRL+click to select more than one port.
2. From the navigation tree, double-click **Edit**.
3. In the Edit tree, double-click **Chassis**.
4. In the Chassis tree, double-click **Ports**.
5. In the work area, click the **STG** tab.

Variable Definitions

Use the data in the following table to help you understand the switch port STG display.

Variable	Value
Port	Indicates the unit and port number.
StgId	Indicates the STG ID number.
Priority	Indicates the port priority
State	Indicates the STP state of the port—Disabled, Blocking, Listening, Learning, and Forwarding.
EnableStp	Indicates whether STP is enabled (true) or disabled (false) on the port.

Table continues...

Variable	Value
FastStart	Indicates whether fast start STP is enabled (true) or disabled (false) on the port.
AdminPathCost	Indicates the PathCost value. The field displays 0 if no user-configured value exists.
PathCost	Indicates the contribution of this port to the cost path of the spanning tree root.
DesignatedRoot	Indicates the MAC address of the STP designated root.
DesignatedCost	Indicates the path cost of the designated port of the segment connected to this port.
DesignatedBridge	Indicates the MAC address of the designated bridge this port considers the designated bridge for this segment.
DesignatedPort	Indicates the port ID of the designated bridge for this port segment.
ForwardTransitions	Indicates the number of times the port transitioned from STP Learning to Forwarding state.

Configuring STG port membership using EDM

Use this procedure to configure switch ports as STG members.

Procedure steps

1. From the navigation tree, double-click **Edit**.
2. In the Edit tree, double-click **Chassis**.
3. In the Chassis tree, double-click **Ports**.
4. In the work area, click the **STG** tab.
5. To select an port to edit, click the port row.
6. In the port row, double-click the cell in the **Priority** column.
7. Type a value in the dialog box.
8. In the port row, double-click the cell in the **EnableStp** column.
9. Select a value from the list—**true** to enable STP for the port, or **false** to disable STP for the port.
10. In the port row, double-click the cell in the **FastStart** column.
11. Select a value from the list—**true** to enable fast start for the port, or **false** to disable fast start for the port.
12. In the port row, double-click the cell in the **AdminPathCost** column.
13. Type a value in the dialog box.

14. In the port row, double-click the cell in the **PathCost** column.
15. Type a value in the dialog box.
16. You can repeat steps **5** through **15** to configure additional ports as STG members.
17. Click **Apply**.

Variable Definitions

Use the data in the following table to configure switch ports as STG members.

Variable	Value
Port	Specifies the unit and port number.
StgId	Specifies the STG ID number.
Priority	Specifies the port priority
State	Specifies the STP state of the port—Disabled, Blocking, Listening, Learning, and Forwarding.
EnableStp	Enables or disables STP on the port: True is enabled, and False is disabled.
FastStart	Enables or disables Fast Start STP on the port: True is enabled, and False is disabled.
AdminPathCost	Sets the PathCost value. The field displays 0 if no user-configured value exists.
PathCost	Specifies the contribution of this port to the cost path of the spanning tree root.
DesignatedRoot	Specifies the MAC address of the STP designated root.
DesignatedCost	Specifies the path cost of the designated port of the segment connected to this port.
DesignatedBridge	Specifies the MAC address of the designated bridge this port considers the designated bridge for this segment.
DesignatedPort	Specifies the port ID of the designated bridge for this port segment.
ForwardTransitions	Specifies the number of times the port transitioned from STP Learning to Forwarding state.

Chapter 18: RSTP configuration using Enterprise Device Manager

This chapter describes how you can configure Rapid Spanning Tree protocol (RSTP) using Enterprise Device Manager (EDM).

RSTP (or IEEE 802.1w) provisions the following:

- It reduces the recovery time after a network breakdown
- It maintains a backward compatibility with the IEEE 802.1D which was the Spanning Tree implementation prior to RSTP. In certain configurations, the recovery time of RSTP can be reduced to less than 1 second
- It reduces the amount of flooding in the network by enhancing the way the Topology Change Notification (TCN) packet is generated

Prerequisites

- Select RSTP for the Spanning Tree administration mode.

For information about configuring the Spanning Tree administration mode, see [Configuring the STP mode using EDM](#) on page 254.

Viewing global RSTP information using EDM

Use this procedure to display global RSTP information .

Prerequisites

- Select RSTP for the Spanning Tree administration mode.

For information about configuring the Spanning Tree administration mode, see [Configuring the STP mode using EDM](#) on page 254.

Procedure steps

1. From the navigation tree, double-click **VLAN**.
2. In the VLAN tree, double-click **Spanning Tree**.
3. In the Spanning Tree tree, double-click **RSTP**.

4. On the work area, click the **Globals** tab to display the RSTP information.

Variable Definitions

Variable	Value
PathCostDefault	<p>Sets the version of the Spanning Tree default Path Costs that the Bridge uses.</p> <p>A value of 16-bit uses the 16-bit default Path Costs from IEEE Std. 802.1D-1998.</p> <p>A value of 32-bit uses the 32-bit default Path Costs from IEEE Std. 802.1t.</p>
TXHoldCount	<p>Specifies the value used by the Port Transmit state machine to limit the maximum transmission rate. The value can range from 1–10.</p>
Version	<p>Specifies the version of the Spanning Tree Protocol the bridge is currently running:</p> <ul style="list-style-type: none"> • stpCompatible—indicates that the bridge uses the Spanning Tree Protocol specified in IEEE 802.1D. • rstp—indicates that the bridge uses the Rapid Spanning Tree Protocol specified in IEEE 802.1w.
Priority	<p>Specifies the value of the writable portion of the Bridge Identifier comprising the first two octets. The values that are set for Priority must be in steps of 4096.</p>
BridgeMaxAge	<p>Specifies the value in 1/100 seconds that all bridges use for MaxAge when this bridge acts as the root. The value must be a multiple of 100. The range is 600–4000.</p>
BridgeHelloTime	<p>Specifies the value in 1/100 seconds that all bridges use for HelloTime when this bridge acts as the root. The value must be a multiple of 100. The range is 100–1000.</p>
BridgeForward Delay	<p>Specifies the value in 1/100 seconds that all bridges use for ForwardDelay when this bridge is acting as the root. The 802.1D-1990 specifies that the range for this parameter is related to the value of BridgeMaxAge. The value must be a multiple of 100. The range is 400–3000.</p>
DesignatedRoot	<p>Specifies the unique identifier of the Bridge recorded as the Root in the Configuration BPDUs that are transmitted by the Designated Bridge for the segment to which the port is attached. Reference IEEE 802.1D-1990: Section 4.5.5.4.</p>
RootCost	<p>Specifies the cost of the path to the root as seen from this bridge.</p>
RootPort	<p>Specifies the port number of the port that offers the lowest cost path from this bridge to the root bridge.</p>
MaxAge	<p>Specifies the maximum age of Spanning Tree Protocol information learned from the network on any port before being discarded. The</p>

Table continues...

Variable	Value
	maximum age is specified in units of hundredths of a second. This is the actual value that the bridge uses.
HelloTime	Specifies the amount of time required for transmission of the configuration BPDUs by the node on any port when it is the root of the spanning tree or trying to become the root. This is specified in units of hundredths of a second. This is the actual value that the bridge uses.
ForwardDelay	Specifies this time value, measured in units of hundredths of a second, controls how fast a port changes its spanning state when moving towards the Forwarding state. The value determines how long the port stays in each of the Listening and Learning states, which precede the Forwarding state.
RstpUpCount	Specifies the number of times the RSTP Module is enabled. A trap is generated on the occurrence of this event.
RstpDownCount	Specifies the number of times the RSTP Module is disabled. A trap is generated on the occurrence of this event.
NewRootIdCount	Specifies the number of times this Bridge has detected a Root Identifier change. A trap is generated on the occurrence of this event.
TimeSinceTopologyChange	Specifies the time (in hundredths of a second) since the TcWhile Timer for any port in this Bridge was non-zero for the Common Spanning Tree context.
TopChanges	Specifies the total number of topology changes detected by this bridge since the management entity was last reset or initialized.

Viewing RSTP port information using EDM

Prerequisites

Use the following procedure to display RSTP port information.

- Select RSTP for the Spanning Tree administration mode.

For information about configuring the Spanning Tree administration mode, see [Configuring the STP mode using EDM](#) on page 254.

Procedure steps

1. From the navigation tree, double-click **VLAN**.
2. In the VLAN tree, double-click **Spanning Tree**.
3. In the Spanning Tree tree, double-click **RSTP**.
4. On the work area, click the **RSTP Ports** tab.

Variable Definitions


Variable	Value
Port	Specifies the port number.
State	Specifies the port state in this RSTP instance. The port state is cataloged as discarding, learning, and forwarding.
Priority	Specifies the value of the priority field which is in the first (in network byte order) octet of the (2 octet long) Port ID.
PathCost	Specifies the contribution of this port to the cost of paths towards the spanning tree root.
ProtocolMigration	<p>Specifies the Protocol migration state of this port. Set this field to true to force the port to transmit RSTP BPDUs.</p> <p> Note: If this field is set to true, and the port receives an 802.1D type BPDU, the port again begins transmitting 802.1D BPDUs.</p>
AdminEdgePort	Specifies the administrative value of the Edge Port parameter. A value of true indicates that this port is assumed to be an edge-port and a value of false indicates that this port is assumed to be a nonedge-port.
OperEdgePort	Specifies the operational value of the Edge Port parameter. The object is initialized to false on reception of a BPDU.
AdminPointToPoint	<p>Specifies the administrative point-to-point status of the LAN segment attached to this port.</p> <ul style="list-style-type: none"> • forceTrue—indicates that this port is always treated as being connected to a point-to-point link. • forceFalse—indicates that this port is treated as having a shared media connection. • auto—indicates that this port is considered to have a point-to-point link if it is an Aggregator and all of its members are aggregatable, or if the MAC entity is configured for full duplex operation, either through auto-negotiation or by management means.
OperPointToPoint	Specifies the operational point-to-point status of the LAN segment attached to this port. This field indicates whether a port is considered to have a point-to-point connection. The value is determined by management or by autodetection.
Participating	Specifies this field specifies whether a port is participating in the 802.1w protocol.
DesignatedRoot	Specifies the bridge identifier of the old root of the Spanning Tree as determined by the Spanning Tree Protocol as executed by this node.
DesignatedCost	Specifies the path cost of the Designated Port of the segment connected to this port. This value is compared to the Root Path Cost field in received BPDUs.

Table continues...

Variable	Value
DesignatedBridge	Specifies the Bridge Identifier of the bridge which this port considers to be the Designated Bridge for this port segment.
DesignatedPort	Specifies the Port Identifier for the port segment which is on the Designated Bridge.
ForwardTransitions	Specifies the number of times this port has transitioned from the Learning state to the Forwarding state.

Viewing RSTP statistics using EDM

Use the following procedure to display the RSTP statistics.

Prerequisites

- Select RSTP for the Spanning Tree administration mode.

For information about configuring the Spanning Tree administration mode, see [Configuring the STP mode using EDM](#) on page 254.

Procedure steps

1. From the navigation tree, double-click **VLAN**.
2. In the VLAN tree, double-click **Spanning Tree**.
3. In the Spanning Tree tree, double-click **RSTP**.
4. On the work area, click the **RSTP Status** tab.

Variable Definitions

Variable	Value
Port	Specifies the port number.
Role	Represents a functionality characteristic or capability of a resource to which policies are applied.
OperVersion	Indicates whether the Port is operationally in the RSTP mode or the STP-compatible mode; that is, whether the Port is transmitting RSTP BPDUs or Config/TCN BPDUs.
EffectivePortState	Specifies the operational state of the port. This object is set to true only when the port is operationally up in the interface manager and when the force Port State and specified port state for this port is enabled. Otherwise, this object is set to false.

Graphing RSTP port statistics using EDM

Use the following procedure to display and graph RSTP port statistics.

Prerequisites

- Select RSTP for the Spanning Tree administration mode.

For information about configuring the Spanning Tree administration mode, see [Configuring the STP mode using EDM](#) on page 254.

Procedure steps

1. From the navigation tree, double-click **VLAN**.
2. In the VLAN tree, double-click **Spanning Tree**.
3. In the Spanning Tree tree, double-click **RSTP**.
4. On the work area, click the **RSTP Status** tab.
5. In the table, select a port for which you want to display the statistic graph.
6. On the toolbar, click **Graph** to get the statistics of the selected port.

Variable Definitions

Variable	Value
RxRstBpduCount	Specifies the number of RST BPDUs received on the port.
RxConfigBpduCount	Specifies the number of Config BPDUs received on the port.
RxTcnBpduCount	Specifies the number of TCN BPDUs received on the port.
TxRstBpduCount	Specifies the number of RST BPDUs transmitted by this port.
TxConfigBpduCount	Specifies the number of Config BPDUs transmitted by this port.
TxTcnBpduCount	Specifies the number of TCN BPDUs transmitted by this port.
InvalidRstBpduRxCount	Specifies the number of invalid RSTP BPDUs received on this port.
InvalidConfigBpduRxCount	Specifies the number of invalid Configuration BPDUs received on this port.
InvalidTcnBpduRxCount	Specifies the number of invalid TCN BPDUs received on this port.

Table continues...

Variable	Value
ProtocolMigrationCount	Specifies the number of times this Port is migrated from one STP protocol version to another. The relevant protocols are STP-COMPATIBLE and RSTP.

Chapter 19: MSTP configuration using Enterprise Device Manager

This chapter describes how you can configure Multiple Spanning Tree Protocol (MSTP) using Enterprise Device Manager (EDM).

With MSTP (or IEEE 802.1s), you can configure multiple instances of RSTP on the same switch. Each MSTP instance can include one or more VLANs. The operation of the MSTP is similar to STPG.

In the MSTP mode, the switches support a maximum of one Common and Internal Spanning Tree (CIST) and seven Multiple Spanning Tree Instances (MSTI). Within the CIST, the Internal Spanning Tree component is used only by devices from the same region (for which a regional root is elected). The Common (External) Spanning Tree component of the CIST is used by devices from different regions or between devices with different STP modes.

Prerequisites

- Select MSTP for the Spanning Tree administration mode.

For information about configuring the Spanning Tree administration mode, see [Configuring the STP mode using EDM](#) on page 254.

Viewing global MSTP using EDM

Use this procedure to display global MSTP information.

Prerequisites

- Select MSTP for the Spanning Tree administration mode.

For information about configuring the Spanning Tree administration mode, see [Configuring the STP mode using EDM](#) on page 254.

Procedure steps

1. From the navigation tree, double-click **VLAN**.
2. In the VLAN tree, double-click **Spanning Tree**.
3. In the Spanning Tree tree, double-click **MSTP**.

4. On the work area, click the **Globals** tab.

Variable Definitions

Variable	Value
PathCostDefaultType	Specifies the version of the Spanning Tree default Path Costs that are used by this Bridge. A 16-bit value uses the 16-bit default path costs from IEEE Standard 802.1D-1998. A 32-bit value uses the 32-bit default path costs from IEEE Standard. 802.1t.
TxHoldCount	Specifies the value used by the Port Transmit state machine to limit the maximum transmission rate. The range is 1–10
MaxHopCount	Specifies the Maximum Hop Count value in 1/100 seconds. The value must be a multiple of 100. The range is 100–4000.
NoOfInstancesSupported	Specifies the maximum number of spanning tree instances supported.
MSTPUpCount	Specifies the number of times the MSTP Module is enabled. A trap is generated on the occurrence of this event.
MSTPDownCount	Specifies the number of times the MSTP Module is disabled. A trap is generated on the occurrence of this event.
ForceProtocolVersion	Signifies the version of the spanning tree protocol that the bridge is currently running. <ul style="list-style-type: none"> • stpCompatible—indicates that the bridge is using the Spanning Tree Protocol as specified in IEEE 802.1D. • rstp—indicates that the bridge is using the Rapid Spanning Tree Protocol as specified in IEEE 802.1w. • MSTP—indicates that the bridge is running the Multiple Spanning Tree Protocol as specified in IEEE 802.1s.
BrgAddress	Specifies the bridge address is generated when events like protocol up or protocol down occurs.
Root	Specifies the bridge identifier of the root of the common spanning tree as determined by the Spanning Tree Protocol as executed by this node. This value is used as the CIST Root Identifier parameter in all Configuration BPDUs originated by this node.
RegionalRoot	Specifies the bridge identifier of the root of the Multiple Spanning Tree region as determined by the Spanning Tree Protocol as executed by this node. This value is used as the CIST Regional Root Identifier parameter in all Configuration Bridge PDUs originated by this node.
RootCost	Specifies the cost of the path to the CIST Root as seen from this bridge.

Table continues...

Variable	Value
RegionalRootCost	Specifies the cost of the path to the CIST Regional Root as seen from this bridge.
RootPort	Specifies the port number of the port which offers the lowest path cost from the bridge to the CIST Root Bridge
BridgePriority	Specifies the value of the writable portion of the Bridge Identifier comprising the first two octets. The values that are set for Bridge Priority must be in steps of 4096.
BridgeMaxAge	Specifies the value in hundredths of a second that all bridges use for MaxAge when this bridge acts as the root. The value must be a multiple of 100. The range is 600–4000.
BridgeForwardDelay	Specifies the value in hundredths of a second that all bridges use for ForwardDelay when this bridge acts as the root. IEEE 802.1D specifies that the range for this parameter is related to the value of BridgeMaxAge. The value must be a multiple of 100. The range is 400–3000.
HoldTime	Determines the time interval during which no more than two Configuration BPDUs can be transmitted by this node. This value is measured in units of hundredths of a second.
MaxAge	Specifies the maximum age, in hundredths of a second, of the Spanning Tree Protocol information learned from the network on any port before being discarded. This value is the actual value that this bridge is currently using.
ForwardDelay	Controls how fast a port changes its STP state when moving towards the Forwarding state. This value determines how long the port stays in a particular state before moving to the next state. This value is measured in units of hundredths of a second.
TimeSinceTopology Change	Specifies the time, in hundredths of a second, since the TcWhile Timer for any port in this Bridge was non-zero for the Common Spanning Tree context.
TopChanges	Specifies the number of times that at least one non-zero TcWhile Timer occurred on this Bridge for the Common Spanning Tree context.
NewRootBridgeCount	Specifies the number of times this Bridge detects a Root Bridge change for the Common Spanning Tree context. A Trap is generated when this event occurs.
RegionName	Specifies the region name of the configuration. By default, the Region Name is equal to the Bridge Mac Address.
RegionVersion	Specifies the version of the MST Region.
ConfigIdSel	Specifies the Configuration Identifier Format Selector used by the Bridge. This has a fixed value of 0 which indicates RegionName, RegionVersion, as specified in the standard.

Table continues...

Variable	Value
ConfigDigest	Signifies the Configuration Digest value for this Region. This is an MD5 digest value and hence must always be 16 octets long.
RegionConfigChange Count	Specifies the number of times a Region Configuration Identifier Change is detected. A trap is generated when this event occurs.

Viewing CIST port information using EDM

Use this procedure to display CIST port information.

Prerequisites

- Select MSTP for the Spanning Tree administration mode.

For information about configuring the Spanning Tree administration mode, see [Configuring the STP mode using EDM](#) on page 254.

Procedure steps

1. From the navigation tree, double-click **VLAN**.
2. In the VLAN tree, double-click **Spanning Tree**.
3. In the Spanning Tree tree, double-click **MSTP**.
4. On the work area, click the **CIST Ports** tab.

Variable Definitions

Variable	Value
Port	Specifies the port number of the port containing Spanning Tree information.
PathCost	Specifies the contribution of this port to the cost of paths towards the CIST Root.
Priority	Specifies the four most significant bits of the Port Identifier of the Spanning Tree instance. It can be modified by setting the CISTPortPriority value. The values that are set for Port Priority must be in steps of 16.
DesignatedRoot	Specifies the unique Bridge Identifier of the bridge. Recorded as the CIST Root in the configuration BPDUs which are transmitted.

Table continues...

Variable	Value
DesignatedCost	Specifies the path cost of the Designated Port of the segment connected to this port.
DesignatedBridge	Specifies the unique Bridge Identifier of the bridge which the port considers to be the Designated Bridge for the port segment.
DesignatedPort	Specifies the Port identifier of the port on the Designated Bridge which is designated for the port segment.
RegionalRoot	Displays the unique Bridge Identifier of the bridge. Recorded as the CIST Regional Root Identifier in the configuration BPDUs which are transmitted.
RegionalPathCost	Specifies the contribution of this port to the cost of paths towards the CIST Regional Root.
ProtocolMigration	<p>Specifies the Protocol migration state of this port. When operating in MSTP mode, set this field to true to force the port to transmit MSTP BPDUs without instance information.</p> <p>! Important:</p> <p>If this field is set to true and the port receives an 802.1D BPDU, the port begins transmitting 802.1D BPDUs. If the port receives an 802.1w BPDU, it begins transmitting 802.1w BPDUs.</p>
AdminEdgeStatus	Specifies the administrative value of the Edge Port parameter. A value of true indicates that this port can be assumed to be an edge-port, and a value of false indicates that this port can be assumed to be a nonedge-port.
OperEdgeStatus	Specifies the operational value of the Edge Port parameter. This value is initialized to the value of AdminEdgeStatus and set to false when the port receives a BPDU.
AdminP2P	Specifies the administrative point-to-point status of the LAN segment attached to this port. A value of 0 indicates that this port is always treated as being connected to a point-to-point link. A value of 1 indicates that this port is treated as having a shared media connection. A value of 2 indicates that this port is considered to have a point-to-point link if it is an Aggregator and all of its members are aggregatable, or if the MAC entity is configured for full duplex operation, either through auto-negotiation, or by management means.
OperP2P	Indicates the operational point-to-point status of the LAN segment attached to the port. It also indicates whether a port is considered to have a point-to-point connection. The value is determined by management or by autodetection, as described in the AdminP2P object.

Table continues...

Variable	Value
HelloTime	Specifies the amount of time between the transmission of Configuration BPDUs transmitted by this node on the port. Measured in units of hundredths of a second.
OperVersion	Indicates whether the Port is operationally in the MSTP, RSTP, or STP-compatible mode; that is, whether the port is transmitting MST BPDUs, RST BPDUs, or Config/TCN BPDUs.
EffectivePortState	Specifies the operational state of the port for CIST. This is set to true only when the port is operationally up in the Interface level and Protocol level for CIST. This is set to false for all other times.
State	Specifies the current state of the port as defined by the Common Spanning Tree Protocol.
ForcePortState	Specifies the current state of the port which can be changed to either Disabled or Enabled for the base Spanning Tree instance.
SelectedPortRole	Specifies the selected port role for the Spanning Tree instance.
CurrentPortRole	Specifies the current port role for the Spanning Tree instance.

Graphing CIST port statistics using EDM

Use this procedure to display and graph CIST port statistics.

Prerequisites

- Select MSTP for the Spanning Tree administration mode.

For information about configuring the Spanning Tree administration mode, see [Configuring the STP mode using EDM](#) on page 254.

Procedure steps

1. From the navigation tree, double-click **VLAN**.
2. In the VLAN tree, double-click **Spanning Tree**.
3. In the Spanning Tree tree, double-click **MSTP**.
4. On the work area, click the **CIST Ports** tab.
5. Select a port for which you want to view the statistic graph.
6. On the toolbar, click **Graph** to get the statistics for the CIST Port.

Variable Definitions

Variable	Value
ForwardTransitions	Specifies the number of times this port transitioned to the Forwarding State.
RxMstBpduCount	Specifies the number of MST BPDUs received on this port.
RxRstBpduCount	Specifies the number of RST BPDUs received on this port.
RxConfigBpduCount	Specifies the number of Configuration BPDUs received on this port.
RxTcnBpduCount	Specifies the number of TCN BPDUs received on this port.
TxMstBpduCount	Specifies the number of MST BPDUs transmitted from this port.
TxRstBpduCount	Specifies the number of RST BPDUs transmitted from this port.
TxConfigBpduCount	Specifies the number of Configuration BPDUs transmitted from this port.
TxTcnBpduCount	Specifies the number of TCN BPDUs transmitted from this port.
InvalidMstBpduRxCount	Specifies the number of Invalid MST BPDUs received on this port.
InvalidRstBpduRxCount	Specifies the number of Invalid RST BPDUs received on this port.
InvalidConfigBpdu RxCount	Specifies the number of Invalid Configuration BPDUs received on this port.
InvalidTcnBpduRxCount	Specifies the number of Invalid TCN BPDUs received on this port.
ProtocolMigrationCount	Specifies the number of times this port migrated from one STP protocol version to another. The relevant migration protocols are STP-COMPATIBLE and RSTP/MSTP. A trap is generated when the port migrates.

Viewing MSTI bridge information using EDM

Use this procedure to display MSTI bridge information..

Prerequisites

- Select MSTP for the Spanning Tree administration mode.

For information about configuring the Spanning Tree administration mode, see [Configuring the STP mode using EDM](#) on page 254.

Procedure steps

1. From the navigation tree, double-click **VLAN**.
2. In the VLAN tree, double-click **Spanning Tree**.
3. In the Spanning Tree tree, double-click **MSTP**.
4. On the work area, click the **MSTI Bridges** tab.

Variable Definitions

Variable	Value
Instance	Specifies the Spanning Tree Instance to which the information belongs.
RegionalRoot	Specifies the MSTI Regional Root Identifier value for the Instance. This value is used as the MSTI Regional Root Identifier parameter in all Configuration Bridge PDUs originated by this node.
Priority	Specifies the writable portion of the MSTI Bridge Identifier comprising the first two octets. The values that are set for Bridge Priority must be in steps of 4096.
RootCost	Specifies the cost of the path to the MSTI Regional Root as seen by this bridge.
RootPort	Specifies the number of the port which offers the lowest path cost from this bridge to the MSTI Region Root Bridge.
Enabled	Used to control whether the bridge instance is enabled or disabled.
TimeSinceTopology Change	Specifies the time (measured in hundredths of a second) since the TcWhile Timer for any port in this Bridge was non-zero for this Spanning Tree instance.
TopChanges	Specifies the number of times that at least one non-zero TcWhile Timer occurred on this Bridge for this Spanning Tree instance.
NewRootCount	Specifies the number of times this Bridge has detected a Root Bridge change for this Spanning Tree instance. A Trap is generated on the occurrence of this event.
InstanceUpCount	Specifies the number of times a new Spanning Tree instance was created. A Trap is generated on the occurrence of this event.
InstanceDownCount	Specifies the number of times a Spanning Tree instance was deleted. A Trap is generated on the occurrence of this event.

Inserting MSTI Bridges using EDM

Use the following procedure to insert an MSTI bridge.

Procedure steps

1. From the navigation tree, double-click **VLAN**.
2. In the VLAN tree, double-click **Spanning Tree**.
3. In the Spanning Tree tree, double-click **MSTP**.
4. On the work area, click the **MSTI Bridges** tab.
5. On the toolbar, click **Insert**.

The Insert MSTI Bridges dialog box appears with the next available instance shown.

6. Click **Insert**.

Deleting MSTI Bridges using EDM

Use the following procedure to delete an MSTI bridge.

Procedure steps

1. From the navigation tree, double-click **VLAN**.
2. In the VLAN tree, double-click **Spanning Tree**.
3. In the Spanning Tree tree, double-click **MSTP**.
4. On the work area, click the **MSTI Bridges** tab.
5. In the table, select the MSTI bridge instance that you want to delete.
6. On the toolbar, click **Delete**.

The selected instance is deleted from the MSTI Bridges tab.

Viewing MSTI port information using EDM

Use this procedure to display MSTI port information.

Prerequisites

- Select MSTP for the Spanning Tree administration mode.

For information about configuring the Spanning Tree administration mode, see [Configuring the STP mode using EDM](#) on page 254.

Procedure steps

1. From the navigation tree, double-click **VLAN**.
2. In the VLAN tree, double-click **Spanning Tree**.
3. In the Spanning Tree tree, double-click **MSTP**.
4. On the work area, click the **MSTI Port** tab.

Variable Definitions

Variable	Value
Port	Specifies the port number.
Instance	Specifies the number of times a Spanning Tree instance was deleted. A Trap is generated when this event occurs.
State	Specifies the current state of the port as defined by the Multiple Spanning Tree Protocol. The state of a port can be Forwarding or Discarding (Blocking).
ForcePortState	Specifies the current state of the port which can be changed to either Disabled or Enabled for the specific Spanning Tree instance.
PathCost	Specifies the contribution of this port to the cost of paths towards the MSTI Root which includes this port.
Priority	Specifies the four most significant bits of the Port Identifier for a given Spanning Tree instance. This value can be modified independently for each Spanning Tree instance supported by the Bridge. The values set for Port Priority must be in steps of 16.
DesignatedRoot	Specifies the unique Bridge Identifier of the bridge recorded as the MSTI Regional Root in the configuration BPDUs that are transmitted.
DesignatedBridge	Specifies the unique Bridge Identifier of the bridge which this port considers to be the Designated Bridge for the port segment.
DesignatedPort	Specifies the Port identifier of the port on the Designated Bridge for this port segment.
DesignatedCost	Specifies the path cost of the Designated Port of the segment connected to this port.
CurrentPortRole	Specifies the Current Port Role of the port for this spanning tree instance.
EffectivePortState	Specifies the effective operational state of the port for the specific instance. This is set to true only when the port is

Table continues...

Variable	Value
	operationally up in the interface level and Protocol level for the specific instance. This is set to false at all other times.

Graphing MSTI port statistics using EDM

Use this procedure to display and graph MSTI port statistics.

Prerequisites

- Select MSTP for the Spanning Tree administration mode.

For information about configuring the Spanning Tree administration mode, see [Configuring the STP mode using EDM](#) on page 254.

Procedure steps

1. From the navigation tree, double-click **VLAN**.
2. In the VLAN tree, double-click **Spanning Tree**.
3. In the Spanning Tree tree, double-click **MSTP**.
4. On the work area, click the **MSTI Port** tab.
5. In the table, select the port for which you want to view the statistics.
6. On the toolbar, click **Graph** to get the statistics for the MSTI Port.

Variable Definitions

Variable	Value
ForwardTransitions	Specifies the number of times this port transitioned to the Forwarding State for the specific instance.
ReceivedBPDUs	Specifies the number of BPDUs received by this port for this spanning tree instance.
TransmittedBPDUs	Specifies the number of Invalid BPDUs received on this Port for this Spanning Tree instance.
InvalidBPDUsRcvd	Specifies the number of BPDUs transmitted on this port for this Spanning Tree instance.

Chapter 20: ADAC configuration using Enterprise Device Manager

This chapter provides information you can use to configure Autodetection and Autoconfiguration (ADAC) using Enterprise Device Manager (EDM).

Configuring ADAC globally using EDM

Use the following procedure to configure ADAC for the switch.

Procedure steps

1. From the navigation tree, double-click **Edit**.
2. In the Edit tree, double-click **ADAC**.
3. Click the **ADAC** tab.
4. Select the **AdminEnable** check box to enable ADAC.
OR
Clear the **AdminEnable** check box to disable ADAC.
5. In the **OperatingMode** section, select a radio button.
6. Double-click the **Voice VLAN** dialog box to edit the value as required.
7. Click the **CallServerPortList** ellipsis.
8. From the call server port list, select call server ports.
9. Click **Ok**.
10. Click the **UplinkPortList** ellipsis.
11. From the uplink port list, select uplink ports.
12. In the **UplinkType** section, select a radio button.
13. Click **Ok**.
14. In the **MacAddrRangeControl** section, select a radio button.

15. Click **Apply**.

! **Important:**

You cannot apply the global ADAC configuration if VoiceVLAN, CallServerPort, or UplinkPort boxes are set to 0 or empty when AdminEnable is selected and the operating mode is tagged frames or advanced untagged frames.

! **Important:**

You cannot configure the same port values for Call Server and Uplink.

Variable Definitions

Variable	Value
AdminEnable	Enables or disables ADAC.
OperEnable	Indicates ADAC operational state: true is enabled and false is disabled. ! Important: If AdminEnable is True and OperEnable is False, this indicates an error condition such as missing Uplink and Call Server ports.
OperatingMode	Selects the ADAC operation mode: <ul style="list-style-type: none"> untaggedFramesBasic—IP Phones send untagged frames, and the Voice VLAN is not created. untaggedFramesAdvanced—IP Phones send untagged frames, and the Voice VLAN is created. taggedFrames—IP Phones send tagged frames.
VoiceVLAN	Sets the Voice VLAN ID.
CallServerPortList	Selects the Call Server ports. A maximum of 8 Call Server ports are supported.
UplinkPortList	Selects the Uplink ports. A maximum of 8 Uplink ports are supported.
UplinkType	Selects the ADAC Uplink type: <ul style="list-style-type: none"> port spbm
MacAddrRangeControl	Selects a MAC address range table control option. <ul style="list-style-type: none"> none—default clearTable—clears all MAC address range table entries. defaultTable—replaces all MAC address range table entries to default values.

ADAC MAC address range configuration using EDM

Use the information in this section to manage the ADAC MAC address range table.

Creating a ADAC MAC address range using EDM

Use the following procedure to add an IP Phone MAC address range to the ADAC MAC address range table.

Procedure steps

1. From the navigation tree, double-click **Edit**.
2. In the Edit tree, double-click **ADAC**.
3. Click the **ADAC MAC Ranges** tab.
4. Click **Insert**.
5. In the **MacAddrRangeLowEndIndex** box, type the MAC address for the low end of the IP Phone MAC address range.
6. In the **MacAddrRangeHighEndIndex** box, type the MAC address for the high end of the IP Phone MAC address range.
7. Click **Insert**.
8. Click **Apply**.

Deleting MAC address ranges using EDM

Use the following procedure to remove IP Phone MAC address ranges from the ADAC MAC address range table.

Procedure steps

1. From the navigation tree, double-click **Edit**.
2. In the Edit tree, double-click **ADAC**.
3. Click the **ADAC MAC Ranges** tab.
4. Click the MAC address range to delete.
5. Click **Delete**.

ADAC port configuration using EDM

Use the information in this section to configure ADAC for switch ports and to display port-based ADAC information.

Viewing the ADAC configuration for ports using EDM

Use the following procedure to display the ADAC configuration for ports on the switch.

Procedure steps

1. From the navigation tree, double-click **Edit**.
2. In the Edit tree, double-click **Chassis** then double-click **Ports**.

OR

In the Edit tree, double-click **ADAC** .

3. In the Ports work area, click the **ADAC** tab.

OR

In the ADAC work area, click the **ADAC Ports** tab.

Variable Definitions


Variable	Value
Index	Indicates the switch position in a stack and the port number. The default value for a standalone switch is 1.
AdminEnable	Indicates whether ADAC is enabled (true) or disabled (false) for the port.
OperEnable	Indicates whether the port ADAC operational state is true (enabled) or false (disabled). This is a read-only cell.  Important: If OperEnable is false and AdminEnable is true, ADAC is disabled. This can occur if you reach the maximum number of devices supported on a port.
ConfigStatus	Indicates the ADAC status for the port. <ul style="list-style-type: none"> • configApplied—the ADAC configuration is applied to the port. • configNotApplied—the ADAC configuration is not applied to the port. This is a read-only cell.
TaggedFramesPVID	Indicates the unique Port VLAN identifier (PVID). Values range from 0–4094. A value of 0 indicates that Auto-Configuration cannot change the PVID for the port.
TaggedFramesTagging	Indicates the tagging value that Auto-Configuration applies to a port that has ADAC enabled and has tagged frames selected as the operating mode. <ul style="list-style-type: none"> • tagAll—tagging is enabled on all frames

Table continues...

Variable	Value
	<ul style="list-style-type: none"> • tagPvidOnly—tagging is enabled on frames with a PVID that matches the PVID of this port • untagPvidOnly—tagging is disabled on frames with a PVID that matches the PVID of this port • noChange—accepts frames without change
AdacPortType	<p>Indicates how ADAC classifies the port:</p> <ul style="list-style-type: none"> • telephony—autodetection is enabled for the port • callServer—the port is configured as a Call Server • uplink—the port is configured as an Uplink • other—the port is not classified as telephony, callServer, or uplink
MacDetectionEnable	<p>Indicates whether Autodetection of IP phones, based on MAC address is enabled (true) or disabled (false) on the interface.</p> <p>! Important:</p> <p>You cannot configure MacDetectionEnable to false if no other supported detection mechanism is enabled on the port.</p>
LldpDetectionEnable	<p>Indicates whether Autodetection of IP phones, based on 802.1ab is enabled (true) or disabled (false) on the interface.</p> <p>! Important:</p> <p>You cannot configure LldpDetectionEnable to false if no other supported detection mechanism is enabled on the port.</p>

Configuring ADAC for specific ports using EDM

Use the following procedure to configure ADAC for one or more ports in a standalone switch or switch stack.

Procedure steps

1. From the navigation tree, double-click **Edit**.
2. In the Edit tree, double-click **Chassis** then double-click **Ports**.

OR

In the Edit tree, double-click **ADAC** .

3. In the Ports work area, click the **ADAC** tab.

OR

In the ADAC work area, click the **ADAC Ports** tab.

4. To select a port to edit, click the port **Index**.
5. In the port row, double-click the cell in the **AdminEnable** column.
6. Select a value from the list—**true** to enable ADAC for the port, or **false** to disable ADAC for the port.
7. In the port row, double-click the cell in the **TaggedFramesPvid** column.
8. Type a value in the dialog box.
9. In the port row, double-click the cell in the **TaggedFramesTagging** column.
10. Select a value from the list.
11. In the port row, double-click the cell in the **MacDetectionEnable** column.
12. Select a value from the list—**true** to enable MAC address detection for the port, or **false** to disable MAC address detection for the port.
13. In the port row, double-click the cell in the **LldpDetectionEnable** column.
14. Select a value from the list—**true** to enable LLDP detection for the port, or **false** to disable LLDP detection for the port.
15. You can repeat steps **4** through **14** to configure ADAC for additional ports.
16. Click **Apply**.

Variable definitions




Variable	Value
Index	Indicates the switch position in a stack and the port number. The default value for a standalone switch is 1.
AdminEnable	Enables (true) or disables (false) ADAC for the port.
OperEnable	Indicates whether the port ADAC operational state is true (enabled) or false (disabled). This is a read-only cell.  Important: If OperEnable is false and AdminEnable is true, ADAC is disabled. This can occur if you reach the maximum number of devices supported on a port.
ConfigStatus	Indicates the ADAC status for the port. <ul style="list-style-type: none"> • configApplied—the ADAC configuration is applied to the port. • configNotApplied—the ADAC configuration is not applied to the port. This is a read-only cell.
TaggedFramesPVID	Specifies a unique Port VLAN identifier (PVID). Values range from 0–4094. A value of 0 indicates that Auto-Configuration cannot change the PVID for the port.

Table continues...

Variable	Value
TaggedFramesTagging	<p>Specifies the tagging value that Auto-Configuration applies to a port that has ADAC enabled and has tagged frames selected as the operating mode.</p> <ul style="list-style-type: none"> • tagAll—tagging is enabled on all frames • tagPvidOnly—tagging is enabled on frames with a PVID that matches the PVID of this port • untagPvidOnly—tagging is disabled on frames with a PVID that matches the PVID of this port • noChange—accepts frames without change
AdacPortType	<p>Indicates how ADAC classifies the port:</p> <ul style="list-style-type: none"> • telephony—autodetection is enabled for the port • callServer—the port is configured as a Call Server • uplink—the port is configured as an Uplink • other—the port is not classified as telephony, callServer, or uplink
MacDetectionEnable	<p>Specifies whether Autodetection of IP phones, based on MAC address is enabled (true) or disabled (false) on the interface.</p> <p> Important:</p> <p>You cannot configure MacDetectionEnable to false if no other supported detection mechanism is enabled on the port.</p>
LldpDetectionEnable	<p>Specifies whether Autodetection of IP phones, based on 802.1ab is enabled (true) or disabled (false) on the interface.</p> <p> Important:</p> <p>You cannot configure LldpDetectionEnable to false if no other supported detection mechanism is enabled on the port.</p>

Chapter 21: LACP and VLACP configuration using Enterprise Device Manager

This chapter provides information you can use to configure Link Aggregation Control Protocol (LACP) and Virtual LACP (VLACP) using Enterprise Device Manager (EDM).

Viewing LAG information using EDM

Use the following procedure to display Link Aggregation Group (LAG) configuration information.

Procedure steps

1. From the navigation tree, double-click **VLAN**.
2. In the VLAN tree, double-click **MLT/LACP**.
3. In the work area, click the **LACP** tab.

Variable Definitions

Variable	Value
Index	Indicates the unique identifier allocated to an Aggregator by the local system.
MacAddress	Indicates the MAC address assigned to an Aggregator.
AggregateOrIndividual	Indicates if an Aggregator represents an Aggregate (TRUE) or an individual link (FALSE).
ActorLagID	Indicates the combined information of ActorSystemPriority, ActorSystemID, and ActorOperKey in ActorSystemPriority-ActorSystemID-ActorOperKey format.
ActorSystemPriority	Indicates the priority value associated with the Actor's System ID.

Table continues...

Variable	Value
ActorSystemID	Indicates the MAC address of the System that contains this Aggregator.
ActorOperKey	Indicates the current operational value of the Aggregator key.
ActorAdminKey	Indicates the current administrative value of the Aggregator key.
PartnerLagID	Indicates the combined of PartnerSystemPriority, PartnerSystemID, and PartnerOperKey in PartnerSystemPriority-PartnerSystemID-PartnerOper Key format.
PartnerSystemPriority	Indicates the priority value associated with the Partner System ID.
PartnerSystemID	Indicates the MAC address of the current protocol partner of this Aggregator. A value of zero indicates that no known Partner exists. If the aggregation is manually configured, this System ID value is assigned by the local System.
PartnerOperKey	Indicates the operational key value of the current Aggregator protocol partner.
CollectorMaxDelay	Indicates the maximum delay, in tens of microseconds, that can be imposed by the Frame Collector between receiving a frame from an Aggregator parser, and either delivering the frame to its MAC client or discarding the frame.

Link Aggregation Group configuration using EDM

Use the procedures in this section to display or modify LAG member configuration.

Viewing LACP for LAG members using EDM

Use the following procedure to display the existing LACP configuration for LAG members.

Procedure steps

1. From the navigation tree, double-click **VLAN**.
2. In the VLAN tree, double-click **MLT/LACP**.
3. In the work area, click the **LACP Ports** tab.

Variable Definitions

Variable	Value
Index	Indicates the unique identifier allocated to an Aggregator by the local system.

Table continues...

Variable	Value
AdminEnabled	Indicates the current administrative setting for the port. A value of true enables the port to participate in LACP. A value of false disables the port from participating in LACP.
OperEnabled	Indicates the current operational state for the port. A value of true means the port is participating in LACP. A value of false means the port is not participating in LACP.
ActorAdminState	Indicates the Actor administrative state for the port. Values include: <ul style="list-style-type: none"> • lacpActive • aggregation • shortTimeout
ActorOperState	Indicates the current operational values of Actor state transmitted by the Actor in LACPDU.
AggregateOrIndividual	Indicates whether the port represents an Aggregate or an Individual link.
ActorPortPriority	Indicates the priority value assigned to this Aggregation port. Values range from 0–65535.
ActorAdminKey	Indicates the current administrative value of the Key for the Aggregation Port. Values range from 1–4095.
ActorOperKey	Indicates the current operational value of the Key for the Aggregation Port.
SelectedAggID	Indicates the identifier value of the Aggregator that this Aggregation Port has currently selected. Zero indicates that the Aggregation Port has not selected an Aggregator, either because it is in the process of detaching from an Aggregator or because no suitable Aggregator exists for it to select.
AttachedAggID	Indicates the identifier value of the Aggregator that this Aggregation Port is currently attached to. Zero indicates that the Aggregation Port is not currently attached to an Aggregator. This value is read-only.
ActorPort	Indicates the port number locally assigned to the Aggregation Port. The port number is communicated in LACPDU as the Actor_Port. This value is read-only
MlId	Indicates the MLT that the port is assigned to. If the port is not assigned to an MLT, the MlId value is 0.
PartnerOperPort	Indicates the operational port number assigned by the port protocol partner.
OperStatus	Indicates the operational status of the interface. Values are up (operational) or down (not operational).

Configuring LACP for specific LAG members

Use the following procedure to configure LACP for one or more LAG member ports.

Before you begin

- Ensure members you want to configure are not ADAC Call Server or Uplink ports.
- Disable ADAC for members you want to configure

! Important:

To configure the port LACP mode to active, you must set the AdminEnabled value to **true** and the ActorAdminState value to **lACPActive**.

! Important:

To configure the port LACP mode to passive, you must set the AdminEnabled value to **false** and clear the **lACPActive**, **aggregation**, and **shortTimeout** check boxes in ActorAdminState.

Procedure

1. Follow the navigation tree to **VLAN > MLT/LACP > LACP Ports** tab.
2. In the port row, double-click the cell in the column to be modified and configure as required from a drop-down list or by typing a value.
3. Repeat for additional cells.
4. Repeat the above steps to configure LACP for additional ports.
5. Optionally, to configure parameters for multiple ports, you can use the Make Selection section as below.
6. In the work area, in the Make Selection section of the Multiple Port Configuration pane, click the Switch/Stack/Ports ellipsis (...) to open the Port Editor dialog.
7. In the Port Editor window, click the ports you want to configure.

* Note:

If you want to configure all ports, click **All**.

8. Click **OK** to return to the Make Selection pane.

The ports you selected appear in the Switch/Stack/Ports box.

9. To change the configuration of the selected ports, in the Multiple Port Configuration pane, double-click the cell beneath the column heading that represents the parameter you want to change and do one of the following:
 - If applicable, select a value from a drop-down list.
 - Otherwise, type a value in the cell.
10. In the Make Selection pane, click **Apply Selection**.
The changes appear in the table.
11. **(Optional)** Click **Clear Selection** to clear Multiple Port Configurations or click **Hide Non-Editable** to display only those parameters that are editable in the Multiple Port Configuration pane for the selected ports.
12. Click **Apply**.

13. On the toolbar, you can click **Refresh** to update the work area data display.

Variable Definitions

Use the data in this table to configure LACP for LAG members.


Variable	Value
Index	Indicates the unique identifier allocated to an Aggregator by the local system. This is a read-only cell.
AdminEnabled	Specifies the current administrative setting for the port. A value of true enables the port to participate in LACP. A value of false disables the port from participating in LACP.  Important: You cannot enable ports to participate in LACP if they are members of an enabled MLT.
OperEnabled	Indicates the current operational state for the port. A value of true means the port is participating in LACP. A value of false means the port is not participating in LACP. This is a read-only cell.
ActorAdminState	Specifies the Actor administrative state. Values include: <ul style="list-style-type: none"> • lacpActive • aggregation • shortTimeout
ActorOperState	Indicates the current Actor operational state. This is a read-only cell.
AggregateOrIndividual	Indicates whether the Aggregator represents an Aggregate or an Individual link. This is a read-only cell.
ActorPortPriority	Specifies the priority value assigned to this Aggregation port. Values range from 0–65535.
ActorAdminKey	Specifies the current administrative value of the Key for the Aggregation Port. Values range from 1–4095.
ActorOperKey	Indicates the current operational value of the Key for the Aggregation Port. This is a read-only cell.
SelectedAggID	Indicates the identifier value of the Aggregator that this Aggregation Port has currently selected. Zero indicates that the Aggregation Port has not selected an Aggregator, either because it is in the process of detaching from an Aggregator or because no suitable Aggregator exists for it to select. This is a read-only cell.
AttachedAggID	Indicates the identifier value of the Aggregator that this Aggregation Port is currently attached to. Zero indicates that the Aggregation Port is not currently attached to an Aggregator. This is a read-only cell.
ActorPort	Indicates the port number locally assigned to the Aggregation Port. The port number is communicated in LACPDUs as the Actor_Port. This is a read-only cell.

Table continues...

Variable	Value
MltId	Indicates the MLT that the port is assigned to. If the port is not assigned to an MLT, the MltId value is 0. This is a read-only cell.
PartnerOperPort	The operational port number assigned by the port's protocol partner. This is a read-only cell.
OperStatus	Indicates the operational status of the interface. Values are up (operational) or down (not operational). This is a read-only cell.

Configuring Static LACP Key to Trunk ID binding

Use the following procedures to configure and manage Static LACP Key to Trunk ID binding.

* Note:

Partner configuration is also required. The local ports do not aggregate if the remote ends of the links are not part of a similar configuration.

Binding an LACP key to a specific trunk ID using EDM

Use the following procedure to bind an LACP key to a specific MLT ID.

Procedure

1. From the navigation tree, double-click **VLAN**.
2. In the VLAN tree, double-click **MLT/LACP**.
3. In the work area, click the **LACP key mapping** tab.
4. Click **Insert**.
5. In the **LacpKeyValue** dialog box, type a value.
6. In the **MltId** dialog box, type a value.
7. Click **Insert**.
8. Click **Apply**.

Variable Definitions

Variable	Value
LacpKeyValue	Specifies the LACP key to use.
MltId	Specifies the MLT ID.

Deleting an LACP key binding to a trunk ID using EDM

Use the following procedure to delete an LACP key binding to a trunk ID.

Procedure

1. From the navigation tree, double-click **VLAN**.

2. In the VLAN tree, double-click **MLT/LACP**.
3. In the work area, click the **LACP key mapping** tab.
4. To select an LACP key binding to a trunk ID, click the LACPKeyValue ID.
5. Click **Delete**.
6. Click **Yes** to confirm.

The selected LACP Key binding is deleted from the LACP key mapping tab.

Viewing LACP key bindings to trunk IDs using EDM

Use this procedure to display LACP key bindings to trunk IDs.

Procedure

1. From the navigation tree, double-click **VLAN**.
2. In the VLAN tree, double-click **MLT/LACP**.
3. In the work area, click the **LACP key mapping** tab.

LACP configuration for ports using EDM

You can use the information in this section to display or modify the LACP configuration for switch ports.

Viewing the LACP configuration for ports using EDM

Use the following procedure to display the existing LACP configuration for switch ports.

Procedure steps

1. From the **Device Physical View**, select a port or use Ctrl-click to select more than one port.
2. From the navigation tree, double-click **Edit**.
3. In the Edit tree, double-click **Chassis**.
4. In the Chassis tree, double-click **Ports**.
5. Click the **LACP** tab.


Variable definitions

Variable	Value
ActorSystemPriority	Specifies the priority value associated with the Actor System ID. Values range from 0–65535.

Table continues...

Variable	Value
AdminEnabled	Specifies the current administrative setting for the port. A value of true enables the port to participate in LACP. A value of false disables the port from participating in LACP. ! Important: You cannot enable ports to participate in LACP if they are members of an enabled MLT.
OperEnabled	Indicates the current operational state for the port. A value of true means the port is participating in LACP. A value of false means the port is not participating in LACP. This is a read-only cell.
ActorAdminState	Specifies the Actor administrative state. Values include: <ul style="list-style-type: none"> • lacpActive • aggregation • shortTimeout
ActorOperState	Indicates the current Actor operational state. This is a read-only cell.
AggregateOrIndividual	Indicates whether the Aggregator represents an Aggregate or an Individual link. This is a read-only cell.
ActorPortPriority	Specifies the priority value assigned to this Aggregation port. Values range from 0–65535.
ActorSystemID	Indicates the MAC address of the System that contains this Aggregator.
ActorAdminKey	Specifies the current administrative value of the Key for the Aggregation Port. Values range from 1–4095.
ActorOperKey	Indicates the current operational value of the Key for the Aggregation Port. This is a read-only cell.
SelectedAggID	Indicates the identifier value of the Aggregator that this Aggregation Port has currently selected. Zero indicates that the Aggregation Port has not selected an Aggregator, either because it is in the process of detaching from an Aggregator or because no suitable Aggregator exists for it to select. This is a read-only cell.
AttachedAggID	Indicates the identifier value of the Aggregator that this Aggregation Port is currently attached to. Zero indicates that the Aggregation Port is not currently attached to an Aggregator. This is a read-only cell.
ActorPort	Indicates the port number locally assigned to the Aggregation Port. The port number is communicated in LACPDU as the Actor_Port. This is a read-only cell.
PartnerOperPort	Indicates the operational port number assigned by the port's protocol partner. This is a read-only cell.
! Important: To configure the port LACP mode to active, you must set the AdminEnabled value to true and the ActorAdminState value to lacpActive .	

Table continues...

Variable	Value
 Important:	To configure the port LACP mode to passive, you must set the AdminEnabled value to false and clear the lACPActive , aggregation , and shortTimeout check boxes in ActorAdminState.

Configuring LACP for ports

Use the following procedure to modify the LACP configuration for switch ports.

Before you begin

- Ensure members you want to configure are not ADAC Call Server or Uplink ports.
- Disable ADAC for members you want to configure

Important:

To configure the port LACP mode to active, you must set the AdminEnabled value to **true** and the ActorAdminState value to **lACPActive**.

Important:

To configure the port LACP mode to passive, you must set the AdminEnabled value to **false** and clear the **lACPActive**, **aggregation**, and **shortTimeout** check boxes in ActorAdminState.

Procedure

1. Follow one of the following paths:
 - From the **Device Physical View**, select a port, or use Ctrl-click to select more than one port, right-click **Edit** then click the **LACP** tab.
 - From the **Device Physical View**, select a port, or use Ctrl-click to select more than one port, then follow the navigation tree to **Edit > Chassis > Ports > LACP** tab.
2. If you selected a single port from the Device Physical View, configure the parameters as required.
3. If you selected multiple ports from the Device Physical View, in the port row, double-click the cell in the column to be modified and configure as required from a drop-down list or by typing a value.
4. Repeat for additional cells.
5. Repeat the above steps to configure LACP for additional ports.
6. Click **Apply**.
7. On the toolbar, you can click **Refresh** to update the work area data display.

Variable definitions


Variable	Value
ActorSystemPriority	Specifies the priority value associated with the Actor System ID. Values range from 0–65535.
AdminEnabled	Specifies the current administrative setting for the port. A value of true enables the port to participate in LACP. A value of false disables the port from participating in LACP.  Important: You cannot enable ports to participate in LACP if they are members of an enabled MLT.
OperEnabled	Indicates the current operational state for the port. A value of true means the port is participating in LACP. A value of false means the port is not participating in LACP. This is a read-only cell.
ActorAdminState	Specifies the Actor administrative state. Values include: <ul style="list-style-type: none"> • lacpActive • aggregation • shortTimeout
ActorOperState	Indicates the current Actor operational state. This is a read-only cell.
AggregateOrIndividual	Indicates whether the Aggregator represents an Aggregate or an Individual link. This is a read-only cell.
ActorPortPriority	Specifies the priority value assigned to this Aggregation port. Values range from 0–65535.
ActorSystemID	Indicates the MAC address of the System that contains this Aggregator. This is a read-only cell.
ActorAdminKey	Specifies the current administrative value of the Key for the Aggregation Port. Values range from 1–4095.
ActorOperKey	Indicates the current operational value of the Key for the Aggregation Port. This is a read-only cell.
SelectedAggID	Indicates the identifier value of the Aggregator that this Aggregation Port has currently selected. Zero indicates that the Aggregation Port has not selected an Aggregator, either because it is in the process of detaching from an Aggregator or because no suitable Aggregator exists for it to select. This is a read-only cell.
AttachedAggID	Indicates the identifier value of the Aggregator that this Aggregation Port is currently attached to. Zero indicates that the Aggregation Port is not currently attached to an Aggregator. This is a read-only cell.
ActorPort	Indicates the port number locally assigned to the Aggregation Port. The port number is communicated in LACPDU as the Actor_Port. This is a read-only cell.
PartnerOperPort	Indicates the operational port number assigned by the protocol partner of port. This is a read-only cell.

Table continues...

Variable	Value
! Important:	To configure the port LACP mode to active, you must set the AdminEnabled value to true and the ActorAdminState value to lACPActive .
! Important:	To configure the port LACP mode to passive, you must set the AdminEnabled value to false and clear the lACPActive , aggregation , and shortTimeout check boxes in ActorAdminState .

Graphing port LACP statistics using EDM

Use the following procedure to display and graph LACP statistics for switch ports.

Procedure steps

1. From the Device Physical View, click a port.
2. From the navigation tree, double-click **Graph**.
3. In the Graph tree, double-click **Port**.
4. In the work area, click the **LACP** tab.
5. On the toolbar, select a **Poll Interval** from the list.
6. To select statistics to graph, click a statistic type row under a column heading.
7. On the toolbar, click **Line Chart**, **Area Chart**, **Bar Chart**, or **Pie Chart**.

Variable definitions

Variable	Value
LACPDUUsRx	Denotes the number of valid LACPDUUs received on this Aggregation Port. This value is read-only.
MarkerPDUUsRx	Signifies the number of valid Marker PDUUs received on this Aggregation Port. This value is read-only.
MarkerResponse PDUUsRx	The number of valid Marker Response PDUUs received on this Aggregation Port. This value is read-only.
UnknownRx	Indicates the number of frames received that can <ul style="list-style-type: none"> • Carry the Slow Protocols Ethernet Type value (43B.4), but contain an unknown PDU.

Table continues...

Variable	Value
	<ul style="list-style-type: none"> • Are addressed to the Slow Protocols group MAC Address (43B.3), but do not carry the Slow Protocols Ethernet Type. This value is read-only.
IllegalRx	Denotes the number of frames received that carry the Slow Protocols Ethernet Type value (43B.4), but contain a badly formed PDU or an illegal value of Protocol Subtype (43B.4). This value is read-only.
LACPDUstx	Signifies the number of LACPDUstx that are transmitted on this Aggregation Port. This value is read-only.
MarkerPDUstx	Displays the number of Marker PDUs transmitted on this Aggregation Port. This value is read-only.
MarkerResponse PDUstx	Indicates the number of Marker Response PDUs that are transmitted on this Aggregation Port. This value is read-only.

Global VLACP/MLT configuration using EDM

Use the information in this section to:

- Enable or disable MLT ports on shutdown
- Configure LACP compatibility mode
- Enable or disable VLACP globally

Enabling or disabling MLT ports on shutdown

Use this procedure to configure the system to enable or disable MLT ports on shutdown.

Procedure steps

1. From the navigation tree, double-click **VLAN**.
2. In the VLAN tree, click **MLT/LACP**.
3. In the work area, click the **Globals** tab.
4. Select the **MltDisablePortsOnShutdown** check box to disable MLT ports on shutdown.

OR

Clear the **MltDisablePortsOnShutdown** check box for MLT ports to remain enabled on shutdown.

5. On the toolbar, click **Apply**.

Variable Definitions

Variable	Value
MltDisablePortsOnShutdown	When selected (enabled), the first port of the MLT continues to operate and all remaining MLT ports are disabled when MLT is shutdown. DEFAULT: cleared (disabled)

Configuring the LACP port compatibility mode

Use the following procedure to configure the LACP port compatibility mode.

Procedure

1. From the navigation double-click **VLAN** .
2. From the VLAN tree, click **MLT/LACP**.
3. Select the **Globals** tab.
4. In the LACP section, select the appropriate radio button for the **CompatibilityMode** parameter.
5. Click **Apply**.

Variable definitions

Table 15: MLT/LACP/VLACP Globals tab parameters

Variable	Value
MLT	
MltDisablePortsOnShutdown	When selected (enabled), the first port of the MLT continues to operate and all remaining MLT ports are disabled when MLT is shutdown. DEFAULT: cleared (disabled)
LACP	
CompatibilityMode	Specifies the port compatibility mode for LACP: <ul style="list-style-type: none"> • default • advanced DEFAULT: default
VLACP	
VlcpEnable	When selected, enables VLACP for the switch. DEFAULT: cleared
VlcpMulticastMACAddress	Identifies a multicast MAC address used exclusively for VLAC PDUs. DEFAULT: 01:80:c2:00:11:00

Table continues...

Variable	Value
VlcpHoldTime	Time in seconds after restart to send PDUs with subtype HOLD. Used only when SMLT is enabled. DEFAULT: 0

Enabling global VLACP using EDM

Use the following procedure to enable VLACP for the switch.

Procedure steps

1. From the navigation tree, double-click **VLAN**.
2. In the VLAN tree, double-click **MLT/LACP**.
3. In the work area, click the **Globals** tab.
4. Select the **VlcpEnable** check box to enable global VLACP.
5. Type a value in the VlcpMulticastMACAddress dialog box.
6. Type a value in the VlcpHoldTime dialog box.
7. On the toolbar, click **Apply**.
8. On the toolbar, you can click **Refresh** to verify the global VLACP configuration.

Variable Definitions

Variable	Value
VlcpEnable	Enables or disables VLACP globally for the switch.
VlcpMulticastMACAddress	Specifies a multicast MAC address used exclusively for VLACP PDUs. Default: 01:80:c2:00:11:00. * Note: VLACP supports only one multicast MAC address.
VlcpHoldTime	Time in seconds after restart to send PDUs with subtype HOLD. Used only when SMLT is enabled. Default: 0 seconds.

Disabling global VLACP using EDM

Use the following procedure to disable VLACP for the switch.

Procedure steps

1. From the navigation tree, double-click **VLAN**.

2. In the VLAN tree, double-click **MLT/LACP**.
3. In the work area, click the **VLACP Global** tab.
4. Clear the **VlACPEnable** check box.
5. On the toolbar, click **Apply**.

VLACP configuration for ports using EDM

Use the procedures in this section to view and configure VLACP at the port level.

Viewing the VLACP configuration for ports using EDM

Use the following procedure to display the VLACP configuration for all ports on a switch or stack.

Procedure steps

1. From the **Device Physical View**, select a port or use Ctrl-click to select more than one port.
2. From the navigation tree, double-click **Edit**.
3. In the Edit tree, double-click **Chassis**.
4. In the Chassis tree, double-click **Ports**.
5. Click the **VLACP** tab.

Variable Definitions



Variable	Value
rcPortIndex	Indicates the switch and port number. Appears only if you have selected multiple ports.
AdminEnable	Indicates whether VLACP is enabled (true) or disabled (false) on ports. The default value is disabled.
OperEnable	Indicates whether VLACP is operationally enabled (true) or disabled (false).  Important: VLACP is only operational when OperEnable is true and PortState is up.
FastPeriodicTimer	Indicates the number of milliseconds between periodic transmissions using short timeouts. Valid values range from 400-20000 with a default of 500.

Table continues...

Variable	Value
SlowPeriodicTimer	Indicates the number of milliseconds between periodic transmissions using long timeouts. Values range from 10000-30000 with a default of 30000.
Timeout	Indicates whether the timeout control value is a short or long timeout.
TimeoutScale	Indicates the scale value used to calculate timeout from periodic time. Values range from 1–10. The default is 3. With VLACP, a short interval exists between a port transmitting a VLACPDU and the partner port receiving the same VLACPDU. If the timeout-scale is set to 1, the port timeout value does not take into account the normal travel time of the VLACPDU. The port expects to receive a VLACPDU at the same moment the partner port sends it. Therefore, the delayed VLACPDU results in the link being blocked, and then enabled again when the packet arrives. You should set the timeout scale to a value larger than 1.
EtherType	Indicates VLACP protocol identification. The value can be entered as a numerical value ranging from 33025–33279 or a hexadecimal equivalent (8101–81ff). The default is 8103. Use the prefix 0x to type a hexadecimal value in the dialog box. Only hexadecimal values display in the EtherType column of the VLACP work area.
EtherMacAddress	Indicates the MAC address of the switch or stack to which this port is sending VLACPDUs. This value cannot be configured as a multicast MAC. The default value is 00:00:00:00:00:00. VLACP uses only the multicast MAC address configured when VLACP is enabled globally. This is the Layer 2 destination address used for the VLACPDUs. The port-specific EtherMACAddress specifies the MAC address of the switch or stack to which this port is sending VLACPDUs. If you do not type a value for the EtherMACAddress, the first VLACP-enabled switch that receives the PDUs from a sending port becomes the intended recipient and processes the PDUs. If you want an intermediate switch to drop VLACP packets, configure EtherMACAddress with the desired destination MAC address. With EtherMACAddress configured, the intermediate switches do not misinterpret the VLACP packets.
PortState	Indicates whether the VLACP port state is up or down.  Important: VLACP is only operational when OperEnable is true and PortState is up.

Configuring VLACP for ports

Use the following procedure to configure VLACP for a single port or multiple ports.

Procedure

1. Follow one of the following paths:
 - From the **Device Physical View**, select a port, or use Ctrl-click to select more than one port, right-click **Edit** then click the **VLACP** tab.
 - From the **Device Physical View**, select a port, or use Ctrl-click to select more than one port, then follow the navigation tree to **Edit > Chassis > Ports > VLACP** tab.
 - In the navigation tree, go to **VLAN > MLT/LACP > VLACP Ports** tab.
2. If you selected a single port on the **Device Physical View**, configure the parameters as required, then click **Apply**.
3. If you selected more than one port, in the port row, double-click the cell in the column to be modified and configure as required from a drop-down list or by typing a value.
4. Repeat for additional cells.
5. Repeat the above steps to configure VLACP for additional ports.
6. Click **Apply**.
7. On the toolbar, you can click **Refresh** to update the work area data display.

Variable Definitions



Variable	Value
rcPortIndex	Specifies the switch and port number.
AdminEnable	Indicates whether VLACP is enabled (true) or disabled (false) on ports. The default value is disabled.
OperEnable	Indicates whether VLACP is operationally enabled or disabled. This is a read-only cell.  Important: VLACP is only operational when OperEnable is true and PortState is up.
FastPeriodicTimer	Specifies the number of milliseconds between periodic transmissions using short timeouts. Valid values range from 400-20000 with a default of 500.
SlowPeriodicTimer	Specifies the number of milliseconds between periodic transmissions using long timeouts. Valid values range from 10000-30000 with a default of 30000.
Timeout	Specifies whether the timeout control value is a short or long timeout.
TimeoutScale	Specifies the scale value used to calculate timeout from periodic time. Values range from 1–10. The default is 3. With VLACP, a short interval exists between a port transmitting a VLACPDU and the partner port receiving the same VLACPDU. If the timeout-scale is set to 1, the port timeout value does not take into

Table continues...

Variable	Value
	account the normal travel time of the VLACPDU. The port expects to receive a VLACPDU at the same moment the partner port sends it. Therefore, the delayed VLACPDU results in the link being blocked, and then enabled again when the packet arrives. You should set the timeout scale to a value larger than 1.
EtherType	Specifies VLACP protocol identification. The value can be entered as a numerical value ranging from 33025–33279 or a hexadecimal equivalent (8101–81ff). The default is 8103. Use the prefix 0x to type a hexadecimal value in the dialog box. Only hexadecimal values display in the EtherType column of the VLACP work area.
EtherMacAddress	<p>Specifies the MAC address of the switch or stack to which a port is sending VLACPDUs. The default value is 00:00:00:00:00:00. It cannot be configured as a multicast MAC.</p> <p>VLACP uses only the multicast MAC address configured when VLACP is enabled globally. This is the Layer 2 destination address used for the VLACPDUs. If you do not type a value for the EtherMACAddress, the first VLACP-enabled switch that receives the PDUs from a sending port becomes the intended recipient and processes the PDUs.</p> <p>If you want an intermediate switch to drop VLACP packets, configure EtherMACAddress with the desired destination MAC address. With EtherMACAddress configured, the intermediate switches do not misinterpret the VLACP packets.</p>
PortState	<p>Indicates whether the VLACP port state is up or down. This is a read-only cell.</p> <p> Important: VLACP is only operational when OperEnable is true and PortState is up.</p>

Configuring VLACP for multiple ports using EDM

Use the following procedure to configure VLACP for a single port or multiple ports.

Procedure steps

1. From the Device Physical View, click one or more ports.
2. From the navigation tree, double-click **Edit**.
3. In the Edit tree, double-click **Chassis**.
4. In the Chassis tree, double-click **Ports**.
5. Click the **VLACP** tab.
6. To select a port to edit, click **rcPortIndex** row.

7. In the port row, double-click the cell in the **AdminEnable** column.
8. Select a value from the list—**true** to enable VLACP for the port, or **false** to disable VLACP for the port.
9. In the port row, double-click the cell in the **FastPeriodicTimer** column.
10. Type a value in the dialog box.
11. In the port row, double-click the cell in the **SlowPeriodicTimer** column.
12. Type a value in the dialog box.
13. In the port row, double-click the cell in the **Timeout** column.
14. Select a value from the list.
15. In the port row, double-click the cell in the **TimeoutScale** column.
16. Type a value in the dialog box.
17. In the port row, double-click the cell in the **EtherType** column.
18. Type a value in the dialog box.
19. In the port row, double-click the cell in the **EtherMacAddress** column.
20. Type a value in the dialog box.
21. You can repeat steps **4** through **19** to configure VLACP for additional ports as required.
22. Click **Apply**.

Variable Definitions



Variable	Value
rcPortIndex	Specifies the switch and port number.
AdminEnable	Indicates whether VLACP is enabled (true) or disabled (false) on ports. The default value is disabled.
OperEnable	Indicates whether VLACP is operationally enabled or disabled. This is a read-only cell.  Important: VLACP is only operational when OperEnable is true and PortState is up.
FastPeriodicTimer	Specifies the number of milliseconds between periodic transmissions using short timeouts. Valid values range from 400-20000 with a default of 500.
SlowPeriodicTimer	Specifies the number of milliseconds between periodic transmissions using long timeouts. Valid values range from 10000-30000 with a default of 30000.
Timeout	Specifies whether the timeout control value is a short or long timeout.

Table continues...

Variable	Value
TimeoutScale	<p>Specifies the scale value used to calculate timeout from periodic time. Values range from 1–10. The default is 3.</p> <p>With VLACP, a short interval exists between a port transmitting a VLACPDU and the partner port receiving the same VLACPDU. If the timeout-scale is set to 1, the port timeout value does not take into account the normal travel time of the VLACPDU. The port expects to receive a VLACPDU at the same moment the partner port sends it. Therefore, the delayed VLACPDU results in the link being blocked, and then enabled again when the packet arrives. You should set the timeout scale to a value larger than 1.</p>
EtherType	<p>Specifies VLACP protocol identification. The value can be entered as a numerical value ranging from 33025–33279 or a hexadecimal equivalent (8101–81ff). The default is 8103. Use the prefix 0x to type a hexadecimal value in the dialog box. Only hexadecimal values display in the EtherType column of the VLACP work area.</p>
EtherMacAddress	<p>Specifies the MAC address of the switch or stack to which a port is sending VLACPDUs. The default value is 00:00:00:00:00:00. It cannot be configured as a multicast MAC.</p> <p>VLACP uses only the multicast MAC address configured when VLACP is enabled globally. This is the Layer 2 destination address used for the VLACPDUs. If you do not type a value for the EtherMacAddress, the first VLACP-enabled switch that receives the PDUs from a sending port becomes the intended recipient and processes the PDUs.</p> <p>If you want an intermediate switch to drop VLACP packets, configure EtherMacAddress with the desired destination MAC address. With EtherMacAddress configured, the intermediate switches do not misinterpret the VLACP packets.</p>
PortState	<p>Indicates whether the VLACP port state is up or down. This is a read-only cell.</p> <p> Important:</p> <p>VLACP is only operational when OperEnable is true and PortState is up.</p>

Chapter 22: Spanning Tree modes configuration examples

This appendix provides configuration examples that are compatible with various operating modes and scenarios as described in each section.

RSTP Configuration Example

This section provides an example of how to configure RSTP on switch.

Scenario

- Switch1 and Switch2 are switches from the ERS 4800 or ERS 5900 series.
- ERS–Switch–1, ERS–Switch–2, and ERS–Switch–3 are switches from the ERS 8000 series.
- Configure the bridge priority as shown in the following example. This results in ERS–Switch–1 becoming the RSTP Root Bridge. If ERS–Switch–1 fails, then ERS–Switch–2 becomes the Root Bridge based on priority settings.
- Two VLANs are configured, a management VLAN (VLAN 200) and an end user VLAN (VLAN 1000).
- For the management VLAN 200, the management IP address is configured as shown in the following example. In this example, no routes are configured for the management as it is a simple Layer 2 network.
- As an option, we can set the RSTP port priority on ERS–Switch–1 to influence the link taken between ERS–Switch–1 and ERS–Switch–2. The default port priority simply has to be changed to a lower value on ERS–Switch–1 from the default setting of 128
- The port priority setting is configured in increments of 16 from 0 to 240

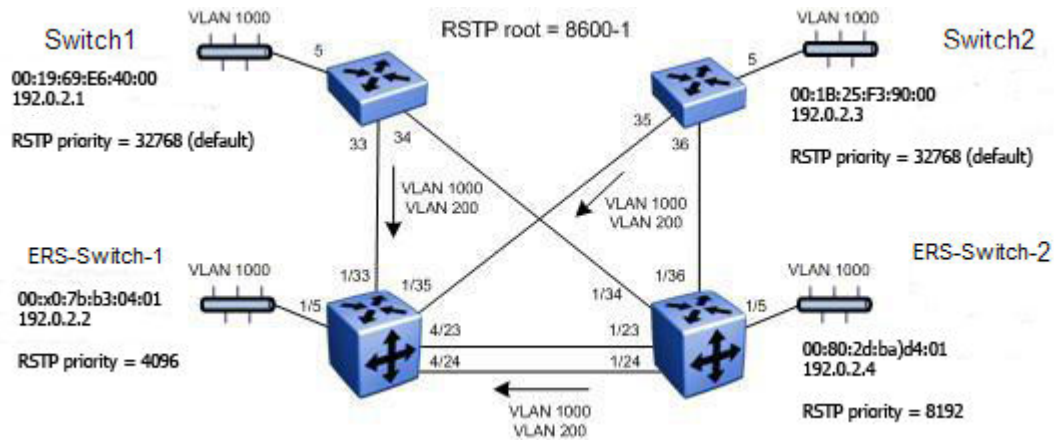


Figure 39: RSTP Configuration Example

After all the switches are configured using the preceding settings, traffic must flow as shown in the following diagram.

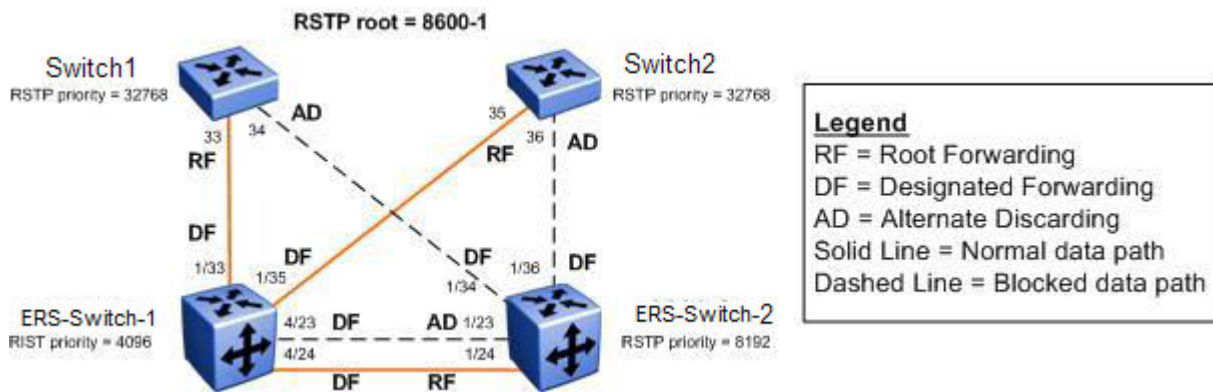


Figure 40: RSTP Example – Normal Data Flow

Configuration example

Set Spanning Tree Mode to RSTP

ERS-Switch-1: Step 1 – Set the bootconfig Spanning Tree mode to RSTP:

```
ERS-Switch-1(config)# boot config flags spanning-tree-mode rstp
ERS-Switch-1(config)# save bootconfig
ERS-Switch-1(config)# boot -y
|
ERS-Switch-1(config)#sys name ERS-Switch-1
```

ERS-Switch-2: Step 1 – Set the bootconfig Spanning Tree mode to RSTP:

```
ERS-Switch-2# config bootconfig flags spanning-tree-mode rstp
ERS-Switch-2# save bootconfig
ERS-Switch-2# boot -y
|
ERS-Switch-2# config sys set name ERS-Switch-2
```

Spanning Tree modes configuration examples

Switch1: Step 1 – Set Spanning Tree Operation mode to RSTP:

```
Switch1(config)# spanning-tree mode rstp
Switch1(config)# write memory
Switch1(config)# boot
Reboot the unit(s) (y/n) ? y
|
Switch1(config)# snmp-server name Switch1
Switch1(config)# banner disabled
```

Switch2: Step 1 – Set Spanning Tree Operation mode to RSTP:

```
Switch2#(config)# spanning-tree mode rstp
Switch2#(config)# write memory
Switch2#(config)# boot
Reboot the unit(s) (y/n) ? y
|
Switch2(config)# snmp-server name Switch2
Switch2(config)# banner disabled
```

ERS-Switch-1: Step 1 – Create VLANs 200 and 1000 and add port members:

```
ERS-Switch-1(config)# vlan create 200 name mgmt type port-mstprstp 0
ERS-Switch-1(config)# vlan create 1000 type port-mstprstp 0
ERS-Switch-1(config)# vlan ports 4/23,4/24,1/33,1/35 tagging tagAll
ERS-Switch-1(config)# vlan members remove 1 1/5,4/23,4/24,1/33,1/35
ERS-Switch-1(config)# vlan members add 200 4/23,4/24,1/33,1/35
ERS-Switch-1(config)# vlan members add 1000 1/5,4/23,4/24,1/33,1/35
```

ERS-Switch-2: Step 1 – Create VLANs 200 and 1000 and add port members:

```
ERS-Switch-2# config vlan 200 create byport-mstprstp 0 name mgmt
ERS-Switch-2# config vlan 1000 create byport-mstprstp 0
ERS-Switch-2# config ethernet 1/23,1/24,1/34,1/36 perform-tagging enable
ERS-Switch-2# config vlan 1 ports remove 1/5,1/23,1/24,1/34,1/36
ERS-Switch-2# config vlan 200 ports add 1/23,1/24,1/34,1/36
ERS-Switch-2# config vlan 1000 ports add 1/5,1/23,1/24,1/34,1/36
```

Switch1: Step 1 – Create VLANs 200 and 1000 and add port members:

```
Switch1(config)# vlan create 200 name mgmt type port
Switch1(config)# vlan create 1000 type port
Switch1(config)# vlan configcontrol automatic
Switch1(config)# vlan ports 33,34 tagging tagall
Switch1(config)# vlan members add 200 33,34
Switch1(config)# vlan members add 1000 5,33,34
Switch1(config)# vlan members remove 1 5,33,34
```

Switch2: Step 1 – Create VLANs 200 and 1000 and add port members:

```
Switch2(config)# vlan create 200 name mgmt type port
Switch2(config)# vlan create 1000 type port
Switch2(config)# vlan configcontrol automatic
Switch2(config)# vlan ports 35,36 tagging tagall
Switch2(config)# vlan members add 200 35,36
Switch2(config)# vlan members add 1000 5,35,36
Switch2(config)# vlan members remove 1 5,35,36
```

ERS-Switch-1: Step 2 – Add management IP address and add port members:

```
ERS-Switch-1(config)# interface vlan 200
ERS-Switch-1(config-if)# ip address 192.0.2.2 255.255.255.0
ERS-Switch-1(config-if)# exit
```

ERS-Switch-2: Step 2 – Add management IP address:

```
ERS-Switch-2# config vlan 200 ip create 192.0.2.4/24
```

Switch1: Step 2 – Add management IP address:

```
Switch1(config)# vlan mgmt 200
Switch1(config)# ip address 192.0.2.1 netmask 255.255.255.0
```

Switch2: Step 2 – Add management IP address:

```
Switch2(config)# vlan mgmt 200
Switch2(config)# ip address 192.0.2.3 netmask 255.255.255.0
```

*** Note:**

On Switch1 and Switch2, if a port is removed from the default VLAN (VLAN 1) prior to adding the port as a port member to a different VLAN, STP participation is disabled for this port. Hence, at an interface level, Spanning Tree Port must be re-enabled for each removed port. This inconvenience can be avoided if the port or ports are removed from the default VLAN after the port or ports are added to a different VLAN.

RSTP Configuration

Next, change the RSTP priority to make ERS-Switch-1 the root bridge and ERS-Switch-2 the backup root bridge. Both Switch1 and Switch2 keep the default bridge priority setting of 32768.

ERS-Switch-1: Step 1 – Change RSTP priority to make this switch root:

```
ERS-Switch-1(config)# spanning-tree rstp priority 4096
```

ERS-Switch-2: Step 1 – Change RSTP priority to make this switch backup root:

```
ERS-Switch-2# config rstp priority 8192
```

ERS-Switch-1: Step 2 – Configure RSTP Edge Ports:

```
ERS-Switch-1(config)# interface Ethernet 1/5
ERS-Switch-1(config-if)# spanning-tree rstp edge-port true
ERS-Switch-1(config-if)# exit
```

ERS-Switch-2: Step 2 – Configure RSTP Edge Ports:

```
ERS-Switch-2# config ethernet 1/5 rstp edge-port true
```

Switch1: Step 2 – Configure RSTP Edge Ports:

```
Switch1(config)# interface Ethernet 5
Switch1(config-if)# spanning-tree rstp edge-port true
Switch1(config-if)# exit
```

Switch2: Step 2 – Configure RSTP Edge Ports:

```
Switch2(config)# interface Ethernet 5
Switch2(config-if)# spanning-tree rstp edge-port true
Switch2(config-if)# exit
```

Optional RSTP Port Priority Configuration

If you wish to influence the forwarding path when there is more than one link between two switches, the default RSTP port priority setting can be changed from the default setting of 128 to a lower value in increments of 16. For example, ERS-Switch-1 is the root bridge and two links are available to ERS-Switch-2, if you want to use port 4/24, you can change the port priority from the default setting of 128 to 16 as shown following.

ERS-Switch-1: Step 1 – Change port priority setting on port 4/24:

```
ERS-Switch-1(config)# interface Ethernet 4/24
ERS-Switch-1(config-if)# spanning-tree rstp priority 16
ERS-Switch-1(config-if)# exit
```

Verify Operations

Verify RSTP Configuration and Root Bridge

Step 1 – Verify that the RSTP is enabled and priority is set to 4096 on ERS-Switch-1 and 8192 on ERS-Switch-2 to make ERS-Switch-1 the root bridge and ERS-Switch-2 the backup root bridge

```
ERS-Switch-1# show spanning-tree rstp config
```

```
=====
```

```
RSTP Configuration
```

```
=====
```

```
Rstp Module Status : Enabled  
Priority : 4096 (0x1000)  
Stp Version : rstp Mode  
Bridge Max Age : 20 seconds  
Bridge Hello Time : 2 seconds  
Bridge Forward Delay Time : 15 seconds  
Tx Hold Count : 3  
PathCost Default Type : 32-bit
```

```
ERS-Switch-2# show rstp config
```

```
=====
```

```
RSTP Configuration
```

```
=====
```

```
Rstp Module Status : Enabled  
Priority: 8192 (0x2000)  
Stp Version : rstp Mode  
Bridge Max Age : 20 seconds  
Bridge Hello Time : 2 seconds  
Bridge Forward Delay Time : 15 seconds  
Tx Hold Count : 3  
PathCost Default Type : 32-bit
```

```
Switch1# show spanning-tree rstp config
```

```
Stp Priority (hex): 8000  
Stp Version: Rstp Mode  
Bridge Max Age Time: 20 seconds  
Bridge Hello Time: 2 seconds  
Bridge Forward Delay Time: 15 seconds  
Tx Hold Count: 3  
Path Cost Default Type: 32-bit  
STP Traps: Enabled
```

```
Switch2# show spanning-tree rstp config
```

```
Stp Priority (hex): 8000  
Stp Version: Rstp Mode  
Bridge Max Age Time: 20 seconds  
Bridge Hello Time: 2 seconds  
Bridge Forward Delay Time: 15 seconds  
Tx Hold Count: 3  
Path Cost Default Type: 32-bit  
STP Traps: Enabled
```

Step 2 – Verify that the RSTP root is ERS-Switch-1:

```
ERS-Switch-1# show spanning-tree rstp status
```

```
=====
```

```
RSTP Status Information
```

```
=====
```

```
Designated Root : 10:00:00:e0:7b:b3:04:01  
Stp Root Cost : 0  
Stp Root Port : cpp  
Stp Max Age : 20 seconds
```

```
Stp Hello Time : 2 seconds
Stp Forward Delay Time : 15 seconds
```

```
ERS-Switch-2# show rstp status
```

```
=====
RSTP Status Information
=====
```

```
Designated Root : 10:00:00:e0:7b:b3:04:01
Stp Root Cost : 200000
Stp Root Port : 1/24
Stp Max Age : 20 seconds
Stp Hello Time : 2 seconds
Stp Forward Delay Time : 15 seconds
```

```
Switch1# show spanning-tree rstp status
```

```
Designated Root: 10:00:00:E0:7B:B3:04:01
Stp Root Cost: 200000
Stp Root Port: 33
Stp Max Age: 20 seconds
Stp Hello Time: 2 seconds
Stp Forward Delay Time: 15 seconds
```

```
Switch2# show spanning-tree rstp status
```

```
Designated Root: 10:00:00:E0:7B:B3:04:01
Stp Root Cost: 200000
Stp Root Port: 35
Stp Max Age: 20 seconds
Stp Hello Time: 2 seconds
Stp Forward Delay Time: 15 seconds
```

* Note:

To verify the base MAC on Switch1, Switch2 or ERS 8000 using CLI, enter the command `show sys-info`. On an ERS 8000 using CLI, enter the command `show sys info`.

On each switch, verify the following information:

Option	Verify
Root	Verify that the RSTP root bridge is ERS-Switch-1 whose address is 00:E0:7B:B3:04:01.
Root Port	Verify that under normal operations that the correct port to the Root is used: <ul style="list-style-type: none"> ERS-Switch-2: Port 1/24 (assuming RSTP port priority on ERS-Switch-1 port 4/24 changed from default setting of 128 to 16) Switch1: Port 33 ERS-Switch-2: Port 35

Verify port forwarding state

Step 1 – Verify that the MSTI 1 root is C3750-1:

```
ERS-Switch-1# show spanning-tree rstp port role 4/23,4/24,1/33,1/35
```

```
=====
RSTP Port Roles and States
=====
```

Spanning Tree modes configuration examples

```
Port-Index Port-Role Port-State PortSTPStatus PortOperStatus
-----
1/33 Designated Forwarding Enabled Enabled
1/35 Designated Forwarding Enabled Enabled
4/23 Designated Forwarding Enabled Enabled
4/24 Designated Forwarding Enabled Enabled

ERS-Switch-2# show port info rstp role port 1/23,1/24,1/34,1/36
=====
RSTP Port Roles and States
=====
Port-Index Port-Role Port-State PortSTPStatus PortOperStatus
-----
1/23 Alternate Discarding Enabled Enabled
1/24 Root Forwarding Enabled Enabled
1/34 Designated Forwarding Enabled Enabled
1/36 Designated Forwarding Enabled Enabled

Switch1# show spanning-tree rstp port role 33,34
Port Role State STP Status Oper Status
-----
33 Root Forwarding Enabled Enabled
34 Alternate Discarding Enabled Enabled

Switch2# show spanning-tree rstp port role 35,36
Port Role State STP Status Oper Status
-----
35 Root Forwarding Enabled Enabled
36 Alternate Discarding Enabled Enabled
```

On each switch, verify the following information:

Table 16:

Option	Verify
RSTP Root Port	Verify that under normal operations that the correct port to the RSTP root bridge is used: <ul style="list-style-type: none">• ERS-Switch-2: Port 1/24 (assuming RSTP port priority on ERS-Switch-1 port 4/24 changed from default setting of 128 to 16)• Switch1: Port 33• Switch2: Port 35

MSTP Configuration Example—One Region

This section provides an example of how to configure MSTP with one region.

Scenario

- Switch1 and Switch2 are switches from the ERS 4800 or ERS 5900 series.
- All switches are configured in the same region named region1 and using revision 1
- C3750-1 is configured to become the CIST Root by configuring the lowest CIST Priority of 4096.
- C3750-2 is configured to become the CIST backup by configuring the next highest CIST Priority of 8192.
- Three VLANs are configured. Where, VLAN 200 for management and VLANs 1000 and 1100 for end user access.
- For the management VLAN 200, a management IP address is configured as shown in the preceding diagram. For this example, no routes are configured for the management as it is a simple Layer 2 network.
- Two MSTI instances are configured. Where, MSTI 1 for VLAN 200 and 1000, and MSTI 2 for VLAN 1100 to load balance traffic as illustrated in the preceding diagram.
- C3750-1 is configured as the root bridge for MSTI 1 and backup root for MSTI 2.
- C3750-2 is configured as the root bridge for MSTI 2 and backup root for MSTI 1.
- ERS–Switch–1, ERS–Switch–2, and ERS–Switch–3 are switches from the ERS 8000 series.
- ERS–Switch–1 is configured with a CIST and MSTI 1 priority of 12288 so that it becomes both CIST and MSTI 1 root if both C3750-1 and C3750-2 fail.
- ERS–Switch–2 is configured with a CIST priority of 16384 so that it becomes CIST root if C3750-1, C3750-2, and ERS–Switch–1 fail.
- ERS–Switch–3 is configured with a MSTI 2 priority of 12288 so that it becomes MSTI 2 root if both C3750-1 and C3750-2 fail.

Spanning Tree modes configuration examples

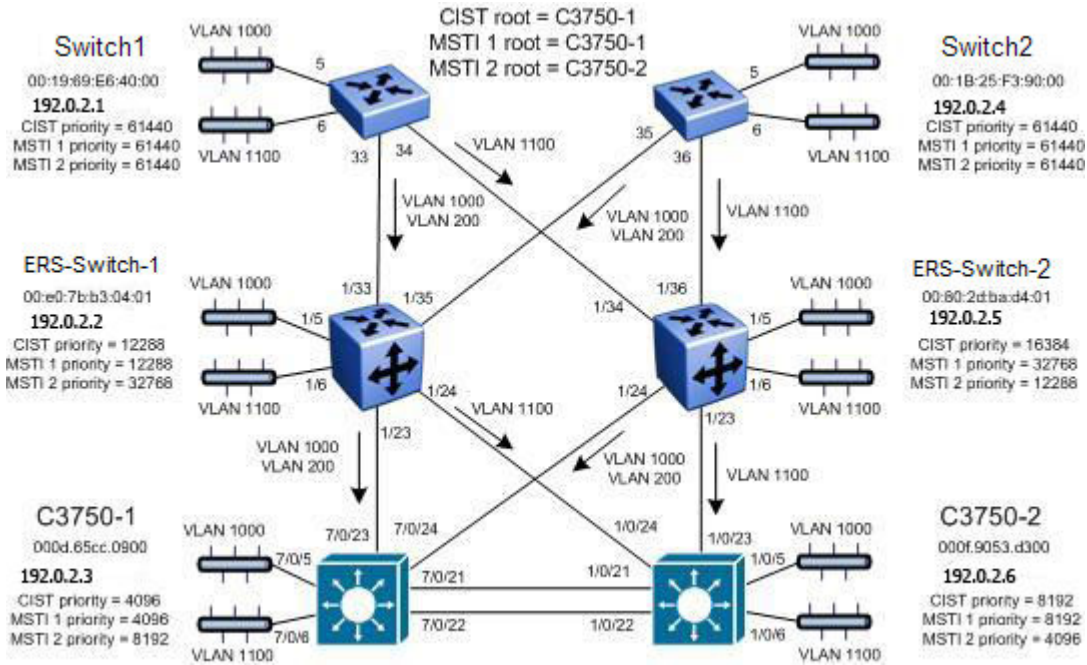


Figure 41: MSTP Example with One Region

After all the switches have been configured using the above settings, the traffic flow for each MSTI instance and CIST should be as that shown in the following diagrams.

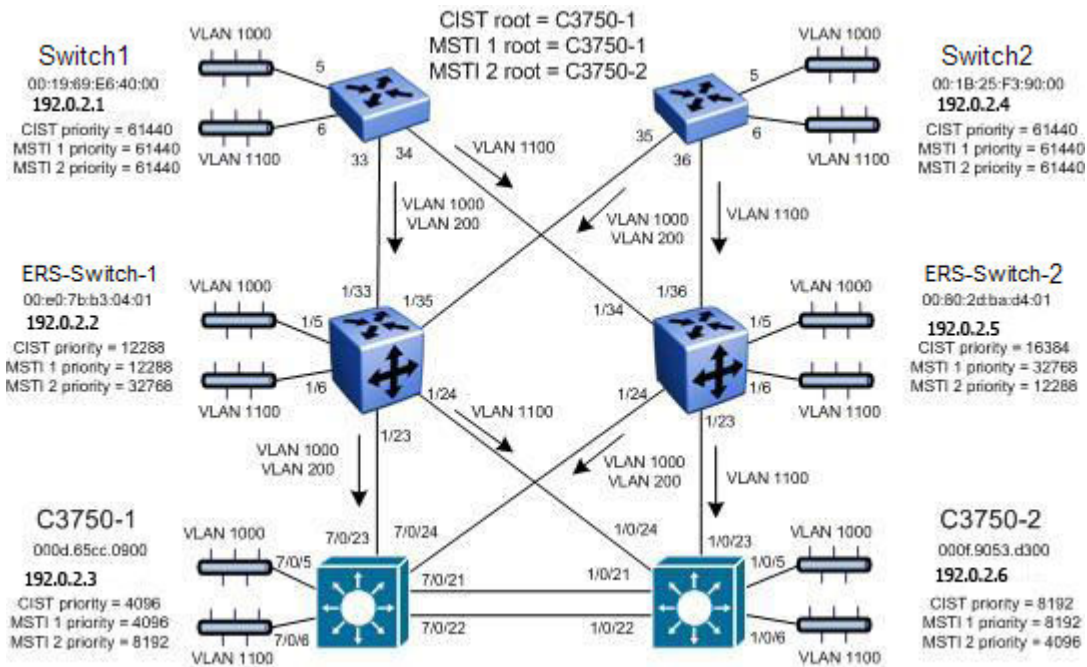


Figure 42: MSTP Example with One Region – CIST Instance 0 Data Flow)

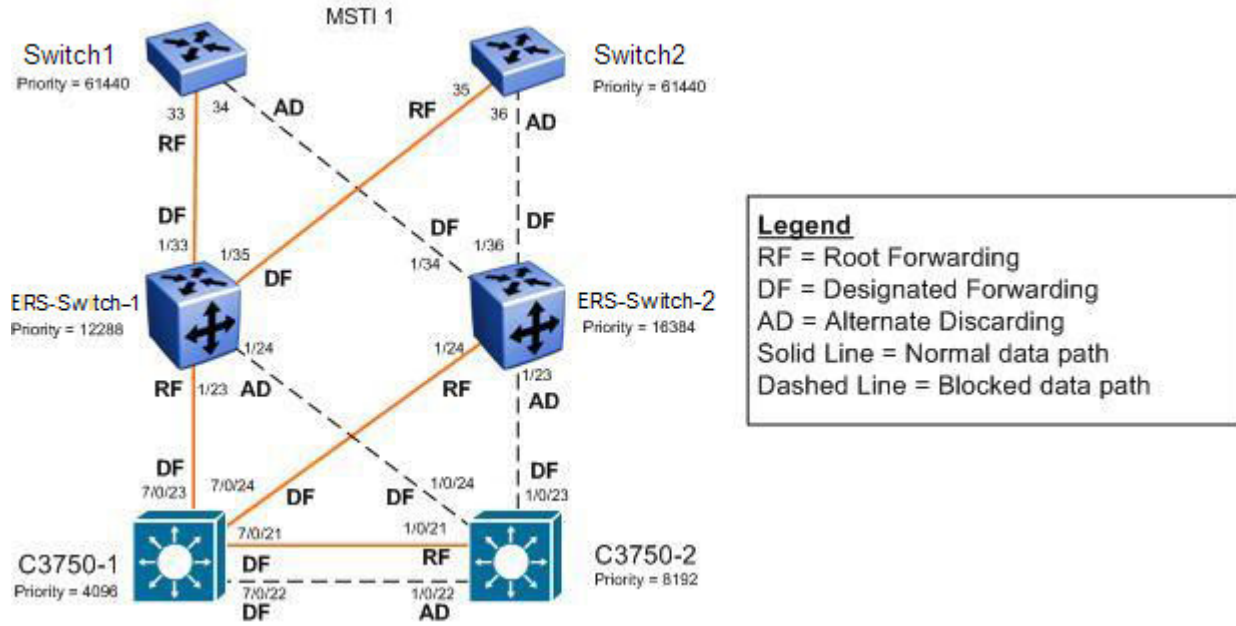


Figure 43: MSTP Example with One Region – MSTI 1 Data Flow

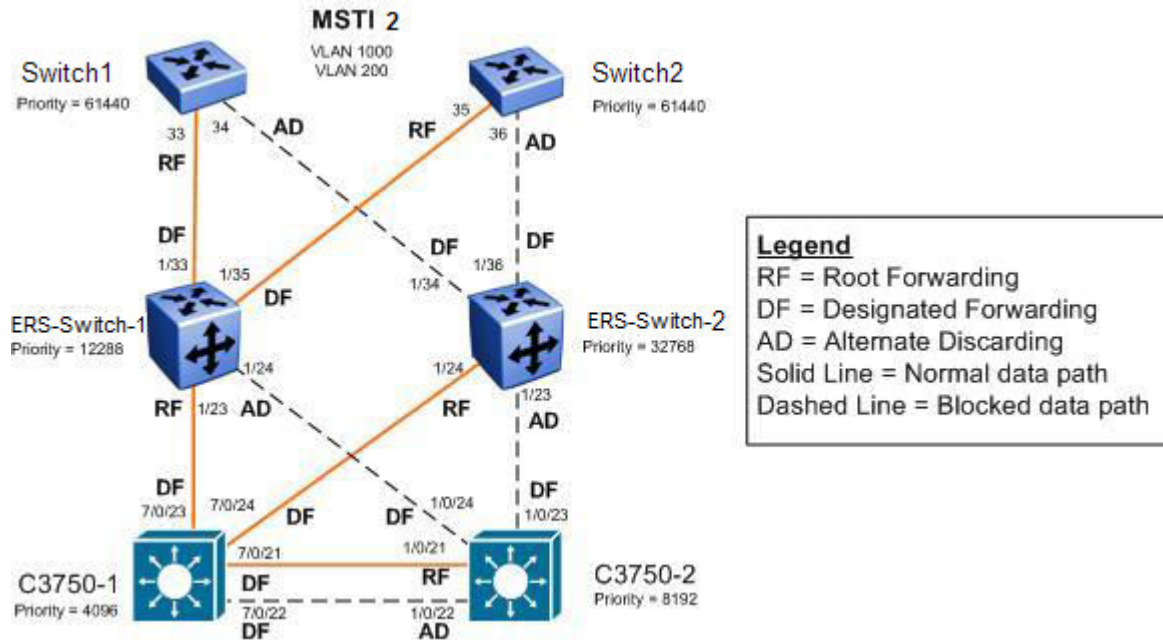


Figure 44: MSTP Example with One Region – MSTI 2 Data Flow

Configuration example

Set Spanning Tree Mode to MSTP

ERS-Switch-1: Step 1 – Set the bootconfig Spanning Tree mode to MSTP:

```
ERS-Switch-1(config)# boot config flags spanning-tree-mode mstp
ERS-Switch-1(config)# save bootconfig
ERS-Switch-1(config)# boot -y
|
ERS-Switch-1(config)# sys name ERS-Switch-1
```

ERS-Switch-2: Step 1 – Set the bootconfig Spanning Tree mode to MSTP:

```
ERS-Switch-2# config bootconfig flags spanning-tree-mode mstp
ERS-Switch-2# save bootconfig
ERS-Switch-2# boot -y
|
ERS-Switch-25# config sys set name ERS-Switch-2
```

Switch1: Step 1 – Set Spanning Tree Operation mode to MSTP:

```
Switch1(config)# spanning-tree mode mstp
Switch1(config)# write memory
Switch1(config)# boot
Reboot the unit(s) (y/n) ? y
|
Switch1(config)# snmp-server name Switch1
Switch1(config)# banner disabled
```

Switch2: Step 1 – Set Spanning Tree Operation mode to MSTP:

```
Switch2#(config)# spanning-tree mode mstp
Switch2#(config)# write memory
Switch2#(config)# boot
Reboot the unit(s) (y/n) ? y
!
Switch2(config)# snmp-server name Switch2
Switch2(config)# banner disabled
```

C3750-1: Step 1 – Set Spanning Tree mode to MSTP:

```
C3750(config)# spanning-tree mode mst
C3750(config)# hostname C3750-1
```

C3750-2: Step 1 – Set Spanning Tree mode to MSTP:

```
C3750(config)# spanning-tree mode mst
C3750(config)# hostname C3750-2
```

Create VLANs

ERS-Switch-1: Step 1 – Create VLANs 200, 1000, and 1100 and add port members:

```
ERS-Switch-1(config)# vlan create 200 name mgmt type port-mstprstp 1
ERS-Switch-1(config)# vlan create 1000 type port-mstprstp 1
ERS-Switch-1(config)# vlan create 1100 type port-mstprstp 2
ERS-Switch-1(config)# vlan ports 1/23,1/24,1/33,1/35 tagging tagAll
ERS-Switch-1(config)# vlan members remove 1 1/5,1/6,1/23,1/24,1/33,1/35
ERS-Switch-1(config)# vlan members add 200 1/23,1/24,1/33,1/35
ERS-Switch-1(config)# vlan members add 1000 1/5,1/23,1/24,1/33,1/35
ERS-Switch-1(config)# vlan members add 1100 1/6,1/23,1/24,1/33,1/35
```

ERS-Switch-2: Step 1 – Create VLANs 200, 1000, and 1100 and add port members:

```
ERS-Switch-2# config vlan 200 create byport-mstprstp 1 name mgmt
ERS-Switch-2# config vlan 1000 create byport-mstprstp 1
```

```
ERS-Switch-2# config vlan 1100 create byport-mstprstp 2
ERS-Switch-2# config ethernet 1/23,1/24,1/34,1/36 perform-tagging enable
ERS-Switch-2# config vlan 1 ports remove 1/5,1/6,1/23,1/24,1/34,1/36
ERS-Switch-2# config vlan 200 ports add 1/23,1/24,1/34,1/36
ERS-Switch-2# config vlan 1000 ports add 1/5,1/23,1/24,1/34,1/36
ERS-Switch-2# config vlan 1100 ports add 1/6,1/23,1/24,1/34,1/36
```

Switch1: Step 1 – Create VLANs 200, 1000, and 1100 and add port members:

```
Switch1(config)# spanning-tree mstp msti 1
Switch1(config)# spanning-tree mstp msti 2
Switch1(config)# vlan create 200 name mgmt type port msti 1
Switch1(config)# vlan create 1000 type port msti 1
Switch1(config)# vlan create 1100 type port msti 2
Switch1(config)# vlan configcontrol automatic
Switch1(config)# vlan ports 33,34 tagging tagall
Switch1(config)# vlan members add 200 33,34
Switch1(config)# vlan members add 1000 5,33,34
Switch1(config)# vlan members add 1100 6,33,34
Switch1(config)# vlan members remove 1 5,6,33,34
```

Switch2: Step 1 – Create VLANs 200, 1000, and 1100 and add port members:

```
Switch2(config)# spanning-tree mstp msti 1
Switch2(config)# spanning-tree mstp msti 2
Switch2(config)# vlan create 200 name mgmt type port msti 1
Switch2(config)# vlan create 1000 type port msti 1
Switch2(config)# vlan create 1100 type port msti 2
Switch2(config)# vlan configcontrol automatic
Switch2(config)# vlan ports 35,36 tagging tagall
Switch2(config)# vlan members add 200 35,36
Switch2(config)# vlan members add 1000 5,35,36
Switch2(config)# vlan members add 1100 6,35,36
Switch2(config)# vlan members remove 1 5,6,35,36
```

C3750-1: Step 1 – Create VLANs 200, 1000, and 1100 and add port members:

```
C3750-1(config)# vtp mode transparent
C3750-1(config)# vlan 200
C3750-1(config-vlan)# name mgmt
C3750-1(config-vlan)# vlan 1000
C3750-1(config-vlan)# vlan 1100
C3750-1(config-vlan)# exit
C3750-1(config)# interface range gigabitEthernet 7/0/21 - 24
C3750-1(config-if-range)# switchport trunk encapsulation dot1q
C3750-1(config-if-range)# switchport mode trunk
C3750-1(config-if-range)# switchport trunk allowed vlan 200,1000,1100
C3750-1(config-if-range)# exit
C3750-1(config)# interface gigabitEthernet 7/0/5
C3750-1(config-if)# switchport mode access
C3750-1(config-if)# switchport access vlan 1000
C3750-1(config-if)# exit
C3750-1(config)# interface gigabitEthernet 7/0/6
C3750-1(config-if)# switchport mode access
C3750-1(config-if)# switchport access vlan 1100
C3750-1(config-if)# exit
```

C3750-2: Step 1 – Create VLANs 200, 1000, and 1100 and add port members:

```
C3750-2(config)# vtp mode transparent
C3750-2(config)# vlan 200
C3750-2(config-vlan)# name mgmt
C3750-2(config-vlan)# vlan 1000
C3750-2(config-vlan)# vlan 1100
C3750-2(config-vlan)# exit
C3750-2(config)# interface range gigabitEthernet 1/0/21 - 24
C3750-2(config-if-range)# switchport trunk encapsulation dot1q
```

Spanning Tree modes configuration examples

```
C3750-2(config-if-range)# switchport mode trunk
C3750-2(config-if-range)# switchport trunk allowed vlan 200,1000,1100
C3750-2(config-if-range)# exit
C3750-2(config)# interface gigabitEthernet 1/0/5
C3750-2(config-if)# switchport mode access
C3750-2(config-if)# switchport access vlan 1000
C3750-2(config-if)# exit
C3750-2(config)# interface gigabitEthernet 1/0/6
C3750-2(config-if)# switchport mode access
C3750-2(config-if)# switchport access vlan 1100
C3750-2(config-if)# exit
```

*** Note:**

On the switch, if a port is removed from the default VLAN (VLAN 1) prior to adding the port as a port member to a different VLAN, STP participation is disabled for this port. Hence, at an interface level, Spanning Tree Port must be re-enabled for each removed port. This inconvenience can be avoided if the port or ports are removed from the default VLAN after the port or ports are added to a different VLAN.

MSTP Configuration

ERS-Switch-1: Step 1 – Add MSTP configuration:

```
ERS-Switch-1(config)# spanning-tree mstp region region-name region1 region-version 1
ERS-Switch-1(config)# spanning-tree mstp priority 12288
ERS-Switch-1(config)# spanning-tree mstp msti 1 priority 12288
```

ERS-Switch-2: Step 1 – Add MSTP configuration

```
ERS-Switch-2# config mstp region name region1
ERS-Switch-2# config mstp region revision 1
ERS-Switch-2# config mstp cist priority 16384
ERS-Switch-2# config mstp msti 2 priority 12288
```

Switch1: Step 1 – Add MSTP configuration:

```
Switch1(config)# spanning-tree mstp region region-name region1 region-version 1
Switch1(config)# spanning-tree mstp msti 1 enable
Switch1(config)# spanning-tree mstp msti 2 enable
Switch1(config)# spanning-tree mstp priority f000
Switch1(config)# spanning-tree mstp msti 1 priority f000
Switch1(config)# spanning-tree mstp msti 2 priority f000
```

Switch2: Step 1 – Add MSTP configuration:

```
Switch2(config)# spanning-tree mstp region region-name region1 region-version 1
Switch2(config)# spanning-tree mstp msti 1 enable
Switch2(config)# spanning-tree mstp msti 2 enable
Switch2(config)# spanning-tree mstp priority f000
Switch2(config)# spanning-tree mstp msti 1 priority f000
Switch2(config)# spanning-tree mstp msti 2 priority f000
```

C3750-1: Step 1 – Add MSTP configuration

```
C3750-1(config)# spanning-tree mst configuration
C3750-1(config-mst)# name region1
C3750-1(config-mst)# revision 1
C3750-1(config-mst)# instance 1 vlan 200,1000
C3750-1(config-mst)# instance 2 vlan 1100
C3750-1(config-mst)# exit
C3750-1(config)# spanning-tree mst 0,1 priority 4096
C3750-1(config)# spanning-tree mst 2 priority 8192
```

C3750-2: Step 1 – Add MSTP configuration:

```
C3750-2(config)# spanning-tree mst configuration
C3750-2(config-mst)# name region1
C3750-2(config-mst)# revision 1
C3750-2(config-mst)# instance 1 vlan 200,1000
C3750-2(config-mst)# instance 2 vlan 1100
C3750-2(config-mst)# exit
C3750-2(config)# spanning-tree mst 0,1 priority 8192
C3750-2(config)# spanning-tree mst 2 priority 4096
```

ERS-Switch-1: Step 2 – Configure access ports as Edge Port:

```
ERS-Switch-1(config)# interface Ethernet 1/5,1/6
ERS-Switch-1(config-if)# spanning-tree mstp edge-port true
ERS-Switch-1(config-if)# exit
```

ERS-Switch-2: Step 2 – Configure access ports as Edge Port:

```
ERS-Switch-2# config ethernet 1/5,1/6 mstp cist edge-port true
```

Switch1: Step 2 – Configure access ports as Edge Port:

```
Switch1(config)# interface Ethernet 5,6
Switch1(config-if)# spanning-tree mstp edge-port true
Switch1(config-if)# exit
```

Switch2: Step 2 – Configure access ports as Edge Port:

```
Switch2(config)# interface Ethernet 5,6
Switch2(config-if)# spanning-tree mstp edge-port true
Switch2(config-if)# exit
```

*** Note:**

Cisco does not have a MSTP Edge Port configurable parameter

Management VLAN Configuration**ERS-Switch-1: Step 2 – Add management IP address and add port members:**

```
ERS-Switch-1(config)# interface vlan 200
ERS-Switch-1(config-if)# ip address 192.0.2.2 255.255.255.0
ERS-Switch-1(config-if)# exit
```

ERS-Switch-2: Step 2 – Add management IP address:

```
ERS-Switch-2# config vlan 200 ip create 192.0.2.5/24
```

Switch1: Step 2 – Add management IP address:

```
Switch1(config)# vlan mgmt 200
Switch1(config)# ip address 192.0.2.1 netmask 255.255.255.0
```

Switch2: Step 2 – Add management IP address:

```
Switch2(config)# vlan mgmt 200
Switch2(config)# ip address 192.0.2.4 netmask 255.255.255.0
```

C3750-1: Step 2 – Add management IP address:

```
C3750-1(config)# interface vlan 200
C3750-1(config-if)# ip address 192.0.2.3 255.255.255.0
C3750-1(config-if)# exit
```

C3750-2: Step 2 – Add management IP address:

```
C3750-2(config)# interface vlan 200
C3750-2(config-if)# ip address 192.0.2.6 255.255.255.0
C3750-2(config-if)# exit
```

Verify operations

Verify CIST Root

Step 1 – Verify that the CIST root and CIST Regional root is C3750-1:

```
ERS-Switch-1# show spanning-tree mstp status
=====
MSTP Status
=====
-----
Bridge Address : 00:e0:7b:b3:04:01
Cist Root : 10:00:00:0d:65:cc:09:00
Cist Regional Root : 10:00:00:0d:65:cc:09:00
Cist Root Port : 1/23
Cist Root Cost : 0
Cist Regional Root Cost : 200000
Cist Instance Vlan Mapped : 1-199,201-999,1001-1024
Cist Instance Vlan Mapped2k : 1025-1099,1101-2048
Cist Instance Vlan Mapped3k : 2049-3072
Cist Instance Vlan Mapped4k : 3073-4094
Cist Max Age : 20 seconds
Cist Forward Delay : 15 seconds

ERS-Switch-2# show mstp status
=====
MSTP Status
=====
-----
Bridge Address : 00:80:2d:ba:d4:01
Cist Root : 10:00:00:0d:65:cc:09:00
Cist Regional Root : 10:00:00:0d:65:cc:09:00
Cist Root Port : 1/24
Cist Root Cost : 0
Cist Regional Root Cost : 200000
Cist Instance Vlan Mapped : 1-199,201-999,1001-1024
Cist Instance Vlan Mapped2k : 1025-1099,1101-2048
Cist Instance Vlan Mapped3k : 2049-3072
Cist Instance Vlan Mapped4k : 3073-4094
Cist Max Age : 20 seconds
Cist Forward Delay : 15 seconds
Switch1# show spanning-tree mstp status
Bridge Address: 00:19:69:E6:40:00
Cist Root: 10:00:00:0D:65:CC:09:00
Cist Regional Root: 10:00:00:0D:65:CC:09:00
Cist Root Port: 33
Cist Root Cost: 0
Cist Regional Root Cost: 400000
Cist Max Age: 20 seconds
Cist Forward Delay: 15 seconds

C3750-2# show spanning-tree mst 0
##### MST0 vlans mapped: 1-199,201-999,1001-1099,1101-4094
Bridge address 00f.9053.d300 priority 8192 (8192 sysid 0)
Root address 000d.65cc.0900 priority 4096 (4096 sysid 0)
port Gi1/0/21 path cost 0
Regional Root address 000d.65cc.0900 priority 4096 (4096 sysid 0)
internal cost 20000 rem hops 19
Operational hello time 2 , forward delay 15, max age 20, txholdcount 6
Configured hello time 2 , forward delay 15, max age 20, max hops 20
Interface Role Sts Cost Prio.Nbr Type
-----
Gi1/0/1 Desg FWD 200000 128.1 P2p
```



```

Gi1/0/21 Root FWD 20000 128.21 P2p
Gi1/0/22 Altn BLK 20000 128.22 P2p
Gi1/0/23 Desg FWD 200000 128.23 P2p
Gi1/0/24 Desg FWD 200000 128.24 P2p

```

On each switch, verify the following information:

Table 17:

Option	Verify
CIST Root	Verify that the CIST root bridge is C3750-1 whose address is 000d.65cc.0900 .
CIST Regional Root	Verify that all switches recognize the same CIST Regional root; this indicates that all switches are in the same MST Region; in this case the CIST Regional root matches the CIST Root
Root Port	Verify that under normal operations that the correct port to the CIST root is used: <ul style="list-style-type: none"> • ERS-Switch-1: Port 1/23 • ERS-Switch-2: Port 1/24 • Switch1: Port 33 • Switch2: Port 35 • C3750-2: Either port 1/0/21 or 1/0/22

Verify MSTI 1 Root and port forwarding state

Step 1 – Verify that the MSTI 1 root is C3750-1:

```
ERS-Switch-1# show spanning-tree mstp msti config 1
```

```
=====
MSTP Instance Status
=====
```

```

Instance Id : 1
Msti Bridge Regional Root : 10:00:00:0d:65:cc:09:00
Msti Bridge Priority : 32768 (0x8000)
Msti Root Cost : 200000
Msti Root Port : 1/23
Msti Instance Vlan Mapped : 200,1000
Msti Instance Vlan Mapped2k :
Msti Instance Vlan Mapped3k :
Msti Instance Vlan Mapped4k :

```

```
ERS-Switch-2# show mstp instance 1
```

```
=====
MSTP Instance Status
=====
```

```

Instance Id : 1
Msti Bridge Regional Root : 10:00:00:0d:65:cc:09:00
Msti Bridge Priority : 32768 (0x8000)
Msti Root Cost : 200000
Msti Root Port : 1/24
Msti Instance Vlan Mapped : 200,1000
Msti Instance Vlan Mapped2k :
Msti Instance Vlan Mapped3k :
Msti Instance Vlan Mapped4k :

```

Spanning Tree modes configuration examples

```
Switch1# show spanning-tree mstp msti config 1
Msti Bridge Regional Root: 10:00:00:0D:65:CC:09:00
Msti Bridge Priority (hex): F000
Msti Root Cost: 400000
Msti Root Port: 33
Msti State: Enabled
VLAN members
```

```
-----
200 1000
```

```
Switch2# show spanning-tree mstp msti config 1
Msti Bridge Regional Root: 10:00:00:0D:65:CC:09:00
Msti Bridge Priority (hex): F000
Msti Root Cost: 400000
Msti Root Port: 35
Msti State: Enabled
VLAN members
```

```
-----
200 1000
```

```
C3750-1# show spanning-tree mst 1
##### MST1 vlans mapped: 200,1000
Bridge address 000d.65cc.0900 priority 4097 (4096 sysid 1)
Root this switch for MST1
Interface Role Sts Cost Prio.Nbr Type
-----
Gi7/0/21 Desg FWD 20000 128.345 P2p
Gi7/0/22 Desg FWD 20000 128.346 P2p
Gi7/0/23 Desg FWD 200000 128.347 P2p
Gi7/0/24 Desg FWD 200000 128.348 P2p
```

```
C3750-2# show spanning-tree mst 1
##### MST1 vlans mapped: 200,1000
Bridge address 000f.9053.d300 priority 8193 (8192 sysid 1)
Root address 000d.65cc.0900 priority 4097 (4096 sysid 1)
port Gi1/0/21 cost 20000 rem hops 19
Interface Role Sts Cost Prio.Nbr Type
-----
Gi1/0/21 Root FWD 20000 128.21 P2p
Gi1/0/22 Altn BLK 20000 128.22 P2p
Gi1/0/23 Desg FWD 200000 128.23 P2p
Gi1/0/24 Desg FWD 200000 128.24 P2p
```

Step 2 – Verify that MSTI 1 port states:

```
ERS-Switch-1# show spanning-tree mstp msti port role 1/23,1/24,1/33,1/35
```

```
=====
MSTI Port Roles and States
```

```
-----
Port-Index Instance-Id Port-Role Port-State Port-STP Port-Oper
```

```
-----
1/23 1 Root Forwarding Enabled Enabled
1/23 2 Alternate Discarding Enabled Enabled
1/24 1 Alternate Discarding Enabled Enabled
1/24 2 Root Forwarding Enabled Enabled
1/33 1 Designated Forwarding Enabled Enabled
1/33 2 Designated Forwarding Enabled Enabled
1/35 1 Designated Forwarding Enabled Enabled
1/35 2 Designated Forwarding Enabled Enabled
```

```
ERS-Switch-2# show port info mstp mstirole port 1/23,1/24,1/34,1/36
```

```
=====
MSTI Port Roles and States
=====
```

```
Port-Index Instance-Id Port-Role Port-State Port-STP Port-Oper
-----
```

```
1/23 1 Alternate Discarding Enabled Enabled
1/23 2 Root Forwarding Enabled Enabled
1/24 1 Root Forwarding Enabled Enabled
1/24 2 Alternate Discarding Enabled Enabled
1/34 1 Designated Forwarding Enabled Enabled
1/34 2 Designated Forwarding Enabled Enabled
1/36 1 Designated Forwarding Enabled Enabled
1/36 2 Designated Forwarding Enabled Enabled
```

```
Switch1# show spanning-tree mstp msti port role 1
```

```
Port Role State STP Status Oper Status
-----
```

```
5 Disabled Discarding Enabled Disabled
33 Root Forwarding Enabled Enabled
34 Alternate Discarding Enabled Enabled
```

```
Switch2# show spanning-tree mstp msti port role 1
```

```
Port Role State STP Status Oper Status
-----
```

```
5 Disabled Discarding Enabled Disabled
35 Root Forwarding Enabled Enabled
36 Alternate Discarding Enabled Enabled
```

On each switch, verify the following information:

Table 18:

Option	Verify
Root	Verify that the MIST 1 root bridge is C3750-1 whose address is <i>000d.65cc.0900</i>
MSTI 1 Root Port	Verify that under normal operations that the correct port to the MIST 1 root bridge is used: <ul style="list-style-type: none"> • ERS-Switch-1: Port 1/23 • ERS-Switch-2: Port 1/24 • Switch1: Port 33 • Switch2: Port 35 • C3750-2: Either port 1/0/21 or 1/0/22
VLANs	Verify that only VLANs 200 and 1000 are configured for MSTI 1. If not, the MSTI instance will not come up on the corresponding switch.

Verify MSTI 2 Root and port forwarding state**Step 1 – Verify that the MSTI 2 root is C3750-2:**

```
ERS-Switch-1# show spanning-tree mstp msti config 2
=====
MSTP Instance Status
=====
Instance Id : 2
Msti Bridge Regional Root : 10:00:00:0f:90:53:d3:00
Msti Bridge Priority : 32768 (0x8000)
Msti Root Cost : 200000
Msti Root Port : 1/24
Msti Instance Vlan Mapped :
Msti Instance Vlan Mapped2k : 1100
Msti Instance Vlan Mapped3k :
Msti Instance Vlan Mapped4k :

ERS-Switch-2# show mstp instance 2
=====
MSTP Instance Status
=====
Instance Id : 2
Msti Bridge Regional Root : 10:00:00:0f:90:53:d3:00
Msti Bridge Priority : 12288 (0x3000)
Msti Root Cost : 200000
Msti Root Port : 1/23
Msti Instance Vlan Mapped :
Msti Instance Vlan Mapped2k : 1100
Msti Instance Vlan Mapped3k :
Msti Instance Vlan Mapped4k :
Switch1# show spanning-tree mstp msti config 2
Msti Bridge Regional Root: 10:00:00:0F:90:53:D3:00
Msti Bridge Priority (hex): F000
Msti Root Cost: 400000
Msti Root Port: 34
Msti State: Enabled
VLAN members
-----
1100

Switch2# show spanning-tree mstp msti config 2
Msti Bridge Regional Root: 10:00:00:0F:90:53:D3:00
Msti Bridge Priority (hex): F000
Msti Root Cost: 400000
Msti Root Port: 36
Msti State: Enabled
VLAN members
-----
1100

C3750-1# show spanning-tree mst 2
##### MST2 vlans mapped: 1100
Bridge address 000d.65cc.0900 priority 28674 (28672 sysid 2)
Root address 000f.9053.d300 priority 4098 (4096 sysid 2)
port Gi7/0/21 cost 20000 rem hops 19
Interface Role Sts Cost Prio.Nbr Type
-----
Gi7/0/21 Root FWD 20000 128.345 P2p
Gi7/0/22 Altn BLK 20000 128.346 P2p
Gi7/0/23 Desg FWD 200000 128.347 P2p
Gi7/0/24 Desg FWD 200000 128.348 P2p
```

```
C3750-2# show spanning-tree mst 2
##### MST2 vlans mapped: 1100
Bridge address 000f.9053.d300 priority 4098 (4096 sysid 2)
Root this switch for MST2
Interface Role Sts Cost Prio.Nbr Type
-----
Gi1/0/21 Desg FWD 20000 128.21 P2p
Gi1/0/22 Desg FWD 20000 128.22 P2p
Gi1/0/23 Desg FWD 200000 128.23 P2p
Gi1/0/24 Desg FWD 200000 128.24 P2p
```

Step 2 – Verify the MSTI 2 port states:

```
ERS-Switch-1# show spanning-tree mstp msti port role 1/23,1/24,1/33,1/35
```

```
=====
MSTI Port Roles and States
=====
```

```
Port-Index Instance-Id Port-Role Port-State Port-STP Port-Oper
-----
```

```
1/23 1 Root Forwarding Enabled Enabled
1/23 2 Alternate Discarding Enabled Enabled
1/24 1 Alternate Discarding Enabled Enabled
1/24 2 Root Forwarding Enabled Enabled
1/33 1 Designated Forwarding Enabled Enabled
1/33 2 Designated Forwarding Enabled Enabled
1/35 1 Designated Forwarding Enabled Enabled
1/35 2 Designated Forwarding Enabled Enabled
```

```
ERS-Switch-2# show port info mstp mstirole port 1/23,1/24,1/34,1/36
```

```
=====
MSTI Port Roles and States
=====
```

```
Port-Index Instance-Id Port-Role Port-State Port-STP Port-Oper
-----
```

```
1/23 1 Alternate Discarding Enabled Enabled
1/23 2 Root Forwarding Enabled Enabled
1/24 1 Root Forwarding Enabled Enabled
1/24 2 Alternate Discarding Enabled Enabled
1/34 1 Designated Forwarding Enabled Enabled
1/34 2 Designated Forwarding Enabled Enabled
1/36 1 Designated Forwarding Enabled Enabled
1/36 2 Designated Forwarding Enabled Enabled
```

```
Switch1# show spanning-tree mstp msti port role 2
```

```
Port Role State STP Status Oper Status
-----
```

```
6 Disabled Discarding Enabled Disabled
33 Alternate Discarding Enabled Enabled
34 Root Forwarding Enabled Enabled
```

```
Switch2# show spanning-tree mstp msti port role 2
```

```
Port Role State STP Status Oper Status
-----
```

```
6 Disabled Discarding Enabled Disabled
35 Alternate Discarding Enabled Enabled
36 Root Forwarding Enabled Enabled
```

On each switch, verify the following information:

Table 19:

Option	Verify
Root	Verify that the MIST 2 root bridge is C3750-2 whose address is <i>000f.9053.d300</i> .
MSTI 2 Root Port	Verify that under normal operations that the correct port to the MIST 2 root bridge is used: <ul style="list-style-type: none"> • ERS-Switch-1: Port 1/24 • ERS-Switch-2: Port 1/23 • Switch1: Port 34 • Switch2: Port 36 • C3750-2: Either port 1/0/21 or 1/0/22
VLANs	Verify that only VLAN 1100 is configured for MSTI 2. If not, the MSTI instance will not come up on the corresponding switch.

MSTP Configuration Example—Two Regions

This section contains an example of how to configure MSTP with two MST regions.

Scenario

This configuration example uses the same configuration described in the previous example, with the exception of creating a second region with switches ERS-Switch-1, ERS-Switch-2, Switch1, and Switch2. Switch1 and Switch2 are switches from the ERS 4800 or ERS 5900 series and ERS-Switch-1 and ERS-Switch-2 are from the ERS 8000 series. All the same CIST and MSTI priorities are used. MSTP region name is the only configuration change as illustrated in the following diagram. This results in only one forwarding port between the two regions through ERS-Switch-1 port 1/23. In the region named *region2*, ERS-Switch-1 becomes the root bridge for MSTI 1 while ERS-Switch-2 becomes the root bridge for MSTI 2. ERS-Switch-1 also becomes the CIST Regional Root for the region named *region2* based on the priority settings configured.

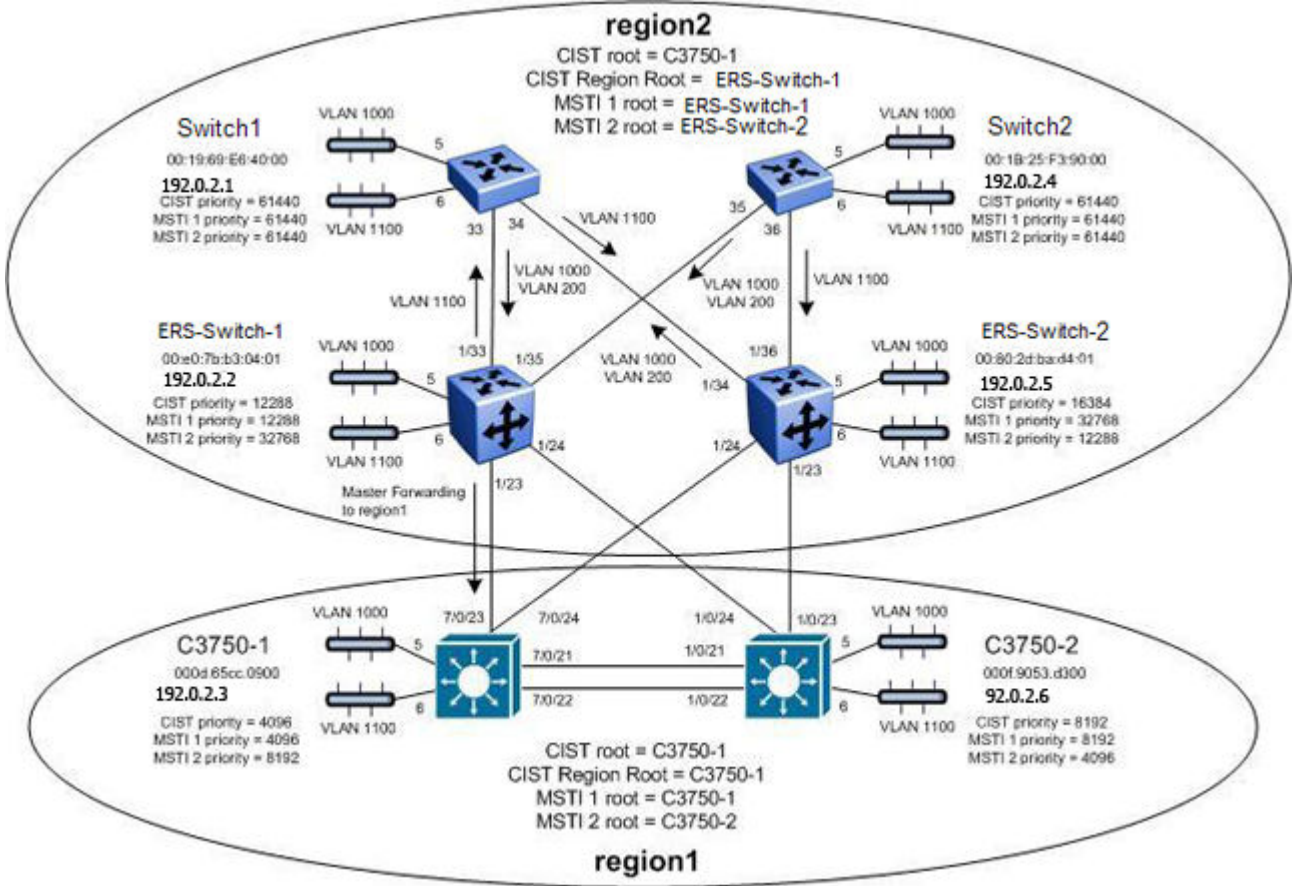


Figure 45: MSTP Example with Two Regions

After all the switches are configured using the above settings, the traffic flow for each MSTI instance is as shown in the following diagrams.

Spanning Tree modes configuration examples

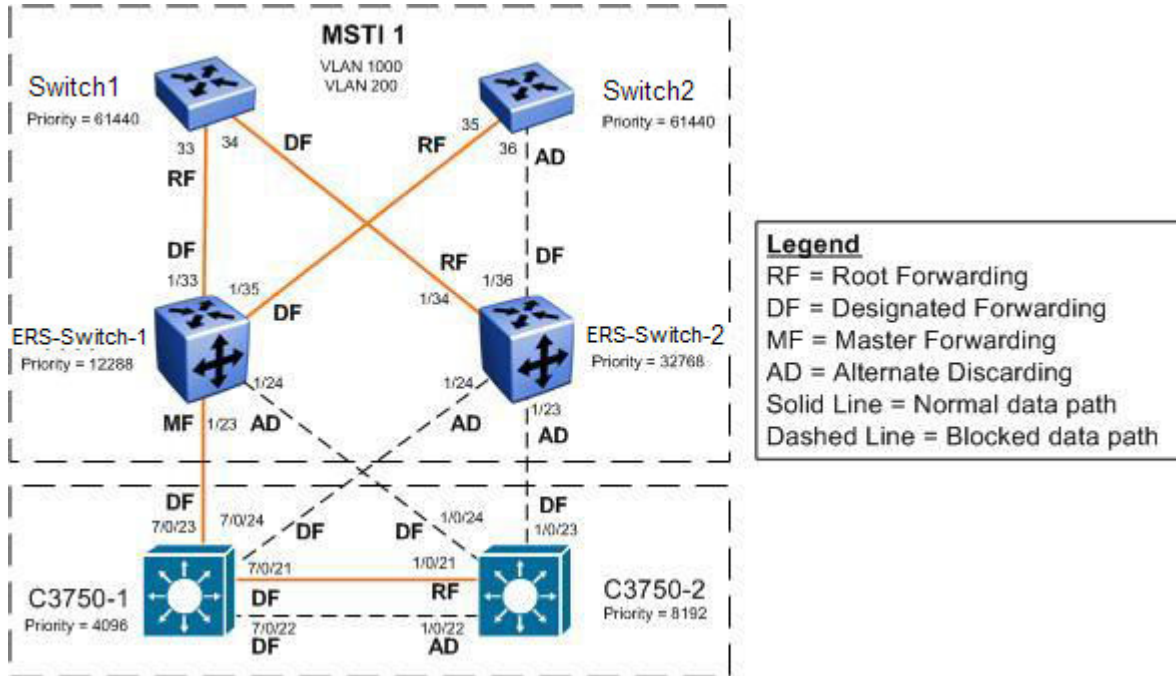


Figure 46: MSTP Example with Two Regions – MSTI 1 Data Flow

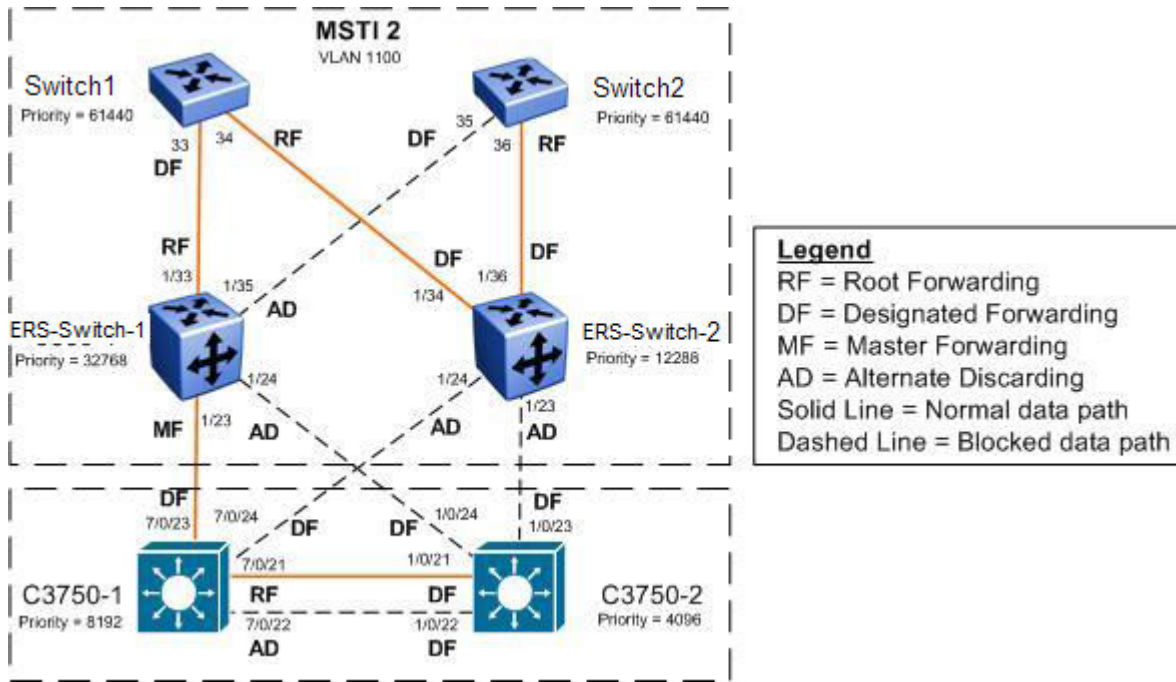


Figure 47: MSTP Example with Two Regions – MSTI 2 Data Flow

Configuration example

This example uses the same configuration described in the MSTP one region configuration example with the exception of changing the MSTP region name for switches ERS-Switch-1, ERS-Switch-2, Switch1, and Switch2. Where, Switch1 and Switch2 are switches from the ERS 4800 or ERS 5900 series and ERS-Switch-1 and ERS-Switch-2 are from the ERS 8000 series.

Changing the MSTP region name

ERS-Switch-1: Step 1 – Add MSTP configuration:

```
ERS-Switch-1(config)# spanning-tree mstp region region-name region2 region-version 1
```

ERS-Switch-2: Step 1 – Add MSTP configuration:

```
ERS-Switch-2# config mstp region name region2
ERS-Switch-2# config mstp region revision 1
```

Switch1: Step 1 – Add MSTP configuration:

```
Switch1(config)# spanning-tree mstp region region-name region2 region-version 1
```

Switch2: Step 1 – Add MSTP configuration:

```
Switch2(config)# spanning-tree mstp region region-name region2 region-version 1
```

Verify Operations

Verify CIST Root and Regional Root

Step 1 – Verify that the CIST root bridge is C3750-1. Verify that the regional root bridge is C3750-1 for the region named *region1* and ERS-Switch-2 for the region named *region2*. There must be only one forwarding port between the regions which should be via port 1/23 on ERS-Switch-1.

```
ERS-Switch-1# show spanning-tree mstp status
```

```
=====
MSTP Status
=====
```

```
-----
Bridge Address : 00:e0:7b:b3:04:01
Cist Root : 10:00:00:0d:65:cc:09:00
Cist Regional Root : 30:00:00:e0:7b:b3:04:01
Cist Root Port : 1/23
Cist Root Cost : 200000
Cist Regional Root Cost : 0
Cist Instance Vlan Mapped : 1-199,201-999,1001-1024
Cist Instance Vlan Mapped2k : 1025-1099,1101-2048
Cist Instance Vlan Mapped3k : 2049-3072
Cist Instance Vlan Mapped4k : 3073-4094
Cist Max Age : 20 seconds
Cist Forward Delay : 15 seconds
```

```
ERS-Switch-2# show mstp status
```

```
=====
MSTP Status
=====
```

```
-----
Bridge Address : 00:80:2d:ba:d4:01
Cist Root : 10:00:00:0d:65:cc:09:00
Cist Regional Root : 30:00:00:e0:7b:b3:04:01
Cist Root Port : 1/34
Cist Root Cost : 200000
```

Spanning Tree modes configuration examples

```
Cist Regional Root Cost : 400000
Cist Instance Vlan Mapped : 1-199,201-999,1001-1024
Cist Instance Vlan Mapped2k : 1025-1099,1101-2048
Cist Instance Vlan Mapped3k : 2049-3072
Cist Instance Vlan Mapped4k : 3073-4094
Cist Max Age : 20 seconds
Cist Forward Delay : 15 seconds
```

```
Switch1# show spanning-tree mstp status
Bridge Address: 00:19:69:E6:40:00
Cist Root: 10:00:00:0D:65:CC:09:00
Cist Regional Root: 30:00:00:E0:7B:B3:04:01
Cist Root Port: 33
Cist Root Cost: 200000
Cist Regional Root Cost: 200000
Cist Max Age: 20 seconds
Cist Forward Delay: 15 seconds
```

```
Switch2# show spanning-tree mstp status
Bridge Address: 00:1B:25:F3:90:00
Cist Root: 10:00:00:0D:65:CC:09:00
Cist Regional Root: 30:00:00:E0:7B:B3:04:01
Cist Root Port: 35
Cist Root Cost: 200000
Cist Regional Root Cost: 200000
Cist Max Age: 20 seconds
Cist Forward Delay: 15 seconds
```

```
C3750-1# show spanning-tree mst 0
##### MST0 vlans mapped: 1-199,201-999,1001-1099,1101-4094
Bridge address 000d.65cc.0900 priority 4096 (4096 sysid 0)
Root this switch for the CIST
Operational hello time 2 , forward delay 15, max age 20, txholdcount 6
Configured hello time 2 , forward delay 15, max age 20, max hops 20
Interface Role Sts Cost Prio.Nbr Type
-----
Gi7/0/1 Desg FWD 200000 128.325 P2p
Gi7/0/21 Desg FWD 20000 128.345 P2p
Gi7/0/22 Desg FWD 20000 128.346 P2p
Gi7/0/23 Desg FWD 200000 128.347 P2p
Gi7/0/24 Desg FWD 200000 128.348 P2p
```

```
C3750-2# show spanning-tree mst 0
##### MST0 vlans mapped: 1-199,201-999,1001-1099,1101-4094
Bridge address 000f.9053.d300 priority 8192 (8192 sysid 0)
Root address 000d.65cc.0900 priority 4096 (4096 sysid 0)
port Gi1/0/21 path cost 0
Regional Root address 000d.65cc.0900 priority 4096 (4096 sysid 0)
internal cost 20000 rem hops 19
Operational hello time 2 , forward delay 15, max age 20, txholdcount 6
Configured hello time 2 , forward delay 15, max age 20, max hops 20
Interface Role Sts Cost Prio.Nbr Type
-----
Gi1/0/1 Desg FWD 200000 128.1 P2p
Gi1/0/21 Root FWD 20000 128.21 P2p
Gi1/0/22 Altn BLK 20000 128.22 P2p
Gi1/0/23 Desg FWD 200000 128.23 P2p
Gi1/0/24 Desg FWD 200000 128.24 P2p
```

On each switch, verify the following information:

Table 20:

Option	Verify
CIST Root	Verify that the CIST root bridge is C3750-1 whose address is <i>000d.65cc.0900</i> .
CIST Regional Root	Verify that the regional root bridge is C3750-1 for the region named <i>region1</i> and ERS-Switch-1 for the region named <i>region2</i> whose address is <i>00:E0:7B:B3:04:01</i> .
Root Port	Verify that under normal operations that the correct port to the CIST root is used: <ul style="list-style-type: none"> • ERS-Switch-1: Port 1/23 • ERS-Switch-2: Port 1/34 • Switch1: Port 33 • Switch2: Port 35 • C3750-2: Either port 1/0/21 or 1/0/22

Verify MSTI 1 Root and port forwarding state

Step 1 – Verify that the MSTI 1 root is ERS-Switch-1 for the region named *region2* and C3750-1 is the MSTI 1 root for the region named *region1*:

```
ERS-Switch-1# show spanning-tree mstp msti config 1
=====
MSTP Instance Status
=====
Instance Id : 1
Msti Bridge Regional Root : 30:00:00:e0:7b:b3:04:01
Msti Bridge Priority : 12288 (0x3000)
Msti Root Cost : 0
Msti Root Port : cpp
Msti Instance Vlan Mapped : 200,1000
Msti Instance Vlan Mapped2k :
Msti Instance Vlan Mapped3k :
Msti Instance Vlan Mapped4k :

ERS-Switch-2# show mstp instance 1
=====
MSTP Instance Status
=====
Instance Id : 1
Msti Bridge Regional Root : 30:00:00:e0:7b:b3:04:01
Msti Bridge Priority : 32768 (0x8000)
Msti Root Cost : 400000
Msti Root Port : 1/34
Msti Instance Vlan Mapped : 200,1000
Msti Instance Vlan Mapped2k :
Msti Instance Vlan Mapped3k :
Msti Instance Vlan Mapped4k :

Switch1# show spanning-tree mstp msti config 1
Msti Bridge Regional Root: 30:00:00:E0:7B:B3:04:01
Msti Bridge Priority (hex): F000
```

Spanning Tree modes configuration examples

```
Msti Root Cost: 200000
Msti Root Port: 33
Msti State: Enabled
VLAN members
```

```
-----
200 1000
```

```
Switch2# show spanning-tree mstp msti config 1
Msti Bridge Regional Root: 30:00:00:E0:7B:B3:04:01
Msti Bridge Priority (hex): F000
Msti Root Cost: 200000
Msti Root Port: 35
Msti State: Enabled
VLAN members
```

```
-----
200 1000
```

```
C3750-1# show spanning-tree mst 1
##### MST1 vlans mapped: 200,1000
Bridge address 000d.65cc.0900 priority 4097 (4096 sysid 1)
Root this switch for MST1
Interface Role Sts Cost Prio.Nbr Type
-----
Gi7/0/21 Desg FWD 20000 128.345 P2p
Gi7/0/22 Desg FWD 20000 128.346 P2p
Gi7/0/23 Desg FWD 200000 128.347 P2p
Gi7/0/24 Desg FWD 200000 128.348 P2p
```

```
C3750-2# show spanning-tree mst 1
##### MST1 vlans mapped: 200,1000
Bridge address 000f.9053.d300 priority 8193 (8192 sysid 1)
Root address 000d.65cc.0900 priority 4097 (4096 sysid 1)
port Gi1/0/21 cost 20000 rem hops 19
Interface Role Sts Cost Prio.Nbr Type
-----
Gi1/0/21 Root FWD 20000 128.21 P2p
Gi1/0/22 Altn BLK 20000 128.22 P2p
Gi1/0/23 Desg FWD 200000 128.23 P2p
Gi1/0/24 Desg FWD 200000 128.24 P2p
```

Step 2 – Verify the MSTI 1 port states.

```
ERS-Switch-1# show spanning-tree mstp msti port role
```

```
=====
MSTI Port Roles and States
=====
```

```
Port-Index Instance-Id Port-Role Port-State Port-STP Port-Oper
```

```
-----
1/5 1 Disabled Discarding Enabled Disabled
1/6 2 Disabled Discarding Enabled Disabled
1/23 1 Master Forwarding Enabled Enabled
1/23 2 Master Forwarding Enabled Enabled
1/24 1 Alternate Discarding Enabled Enabled
1/24 2 Alternate Discarding Enabled Enabled
1/33 1 Designated Forwarding Enabled Enabled
1/33 2 Root Forwarding Enabled Enabled
1/35 1 Designated Forwarding Enabled Enabled
1/35 2 Alternate Discarding Enabled Enabled
```

```
ERS-Switch-2# show port info mstp mstirole port 1/23,1/24,1/34,1/36
=====
```

MSTI Port Roles and States

```

=====
Port-Index Instance-Id Port-Role Port-State Port-STP Port-Oper
-----
1/23 1 Alternate Discarding Enabled Enabled
1/23 2 Alternate Discarding Enabled Enabled
1/24 1 Alternate Discarding Enabled Enabled
1/24 2 Alternate Discarding Enabled Enabled
1/34 1 Root Forwarding Enabled Enabled
1/34 2 Designated Forwarding Enabled Enabled
1/36 1 Designated Forwarding Enabled Enabled
1/36 2 Designated Forwarding Enabled Enabled

```

```

Switch1# show spanning-tree mstp msti port role 1
Port Role State STP Status Oper Status
-----
5 Disabled Discarding Enabled Disabled
33 Root Forwarding Enabled Enabled
34 Designated Forwarding Enabled Enabled

```

```

Switch2# show spanning-tree mstp msti port role 1
Port Role State STP Status Oper Status
-----
5 Disabled Discarding Enabled Disabled
35 Root Forwarding Enabled Enabled
36 Alternate Discarding Enabled Enabled

```

On each switch, verify the following information:

Table 21:

Option	Verify
Root	Verify that the MIST 1 root bridge is C3750-1 for region named <i>region1</i> whose address is 000d.65cc.0900 . Verify that the MSTI 1 root bridge is 8600-1 for region named <i>region2</i> whose address is 00:E0:7B:B3:04:01 .
MSTI 1 Root Port	Verify that under normal operations that the correct port to the MIST 1 root bridge is used: <ul style="list-style-type: none"> • ERS-Switch-1: Port 1/23 (Master Forwarding to <i>region1</i>) • ERS-Switch-2: Port 1/34 • Switch1: Port 33 • Switch2: Port 35 • C3750-2: Either port 1/0/21 or 1/0/22
VLANs	Verify that only VLANs 200 and 1000 are configured for MSTI 1. If not, the MSTI instance will not come up on the corresponding switch.

Verify MSTI 2 Root and port forwarding state

Step 1 – Verify that the MSTI 2 root is C3750-2 for region named *region1* and the MSTI 2 root is ERS-Switch-2 for region named *region2*:

```
ERS-Switch-1# show spanning-tree mstp msti config 2
=====
MSTP Instance Status
=====
Instance Id : 2
Msti Bridge Regional Root : 30:00:00:80:2d:ba:d4:01
Msti Bridge Priority : 32768 (0x8000)
Msti Root Cost : 400000
Msti Root Port : 1/33
Msti Instance Vlan Mapped :
Msti Instance Vlan Mapped2k : 1100
Msti Instance Vlan Mapped3k :
Msti Instance Vlan Mapped4k :

ERS-Switch-2# show mstp instance 2
=====
MSTP Instance Status
=====
Instance Id : 2
Msti Bridge Regional Root : 30:00:00:80:2d:ba:d4:01
Msti Bridge Priority : 12288 (0x3000)
Msti Root Cost : 0
Msti Root Port : cpp
Msti Instance Vlan Mapped :
Msti Instance Vlan Mapped2k : 1100
Msti Instance Vlan Mapped3k :
Msti Instance Vlan Mapped4k :
Switch1# show spanning-tree mstp msti config 2
Msti Bridge Regional Root: 10:00:00:80:2D:BA:D4:01
Msti Bridge Priority (hex): F000
Msti Root Cost: 200000
Msti Root Port: 34
Msti State: Enabled
VLAN members
-----
1100

Switch2# show spanning-tree mstp msti config 2
Msti Bridge Regional Root: 30:00:00:80:2D:BA:D4:01
Msti Bridge Priority (hex): F000
Msti Root Cost: 200000
Msti Root Port: 36
Msti State: Enabled
VLAN members
-----
1100

C3750-1# show spanning-tree mst 2
#### MST2 vlans mapped: 1100
Bridge address 000d.65cc.0900 priority 28674 (28672 sysid 2)
Root address 000f.9053.d300 priority 4098 (4096 sysid 2)
port Gi7/0/21 cost 20000 rem hops 19
Interface Role Sts Cost Prio.Nbr Type
-----
Gi7/0/21 Root FWD 20000 128.345 P2p
Gi7/0/22 Altn BLK 20000 128.346 P2p
```

```
Gi7/0/23 Desg FWD 200000 128.347 P2p
Gi7/0/24 Desg FWD 200000 128.348 P2p
```

```
C3750-2# show spanning-tree mst 2
##### MST2 vlans mapped: 1100
Bridge address 000f.9053.d300 priority 4098 (4096 sysid 2)
Root this switch for MST2
Interface Role Sts Cost Prio.Nbr Type
-----
Gi1/0/21 Desg FWD 20000 128.21 P2p
Gi1/0/22 Desg FWD 20000 128.22 P2p
Gi1/0/23 Desg FWD 200000 128.23 P2p
Gi1/0/24 Desg FWD 200000 128.24 P2p
```

Step 2 – Verify the MSTI 2 port states:

```
ERS-Switch-1# show spanning-tree mstp msti port role
```

```
=====
MSTI Port Roles and States
=====
```

```
Port-Index Instance-Id Port-Role Port-State Port-STP Port-Oper
-----
```

```
1/5 1 Disabled Discarding Enabled Disabled
1/6 2 Disabled Discarding Enabled Disabled
1/23 1 Master Forwarding Enabled Enabled
1/23 2 Master Forwarding Enabled Enabled
1/24 1 Alternate Discarding Enabled Enabled
1/24 2 Alternate Discarding Enabled Enabled
1/33 1 Designated Forwarding Enabled Enabled
1/33 2 Root Forwarding Enabled Enabled
1/35 1 Designated Forwarding Enabled Enabled
1/35 2 Alternate Discarding Enabled Enabled
```

```
ERS-Switch-2# show port info mstp mstirole port 1/23,1/24,1/34,1/36
```

```
=====
MSTI Port Roles and States
=====
```

```
Port-Index Instance-Id Port-Role Port-State Port-STP Port-Oper
-----
```

```
1/23 1 Alternate Discarding Enabled Enabled
1/23 2 Alternate Discarding Enabled Enabled
1/24 1 Alternate Discarding Enabled Enabled
1/24 2 Alternate Discarding Enabled Enabled
1/34 1 Root Forwarding Enabled Enabled
1/34 2 Designated Forwarding Enabled Enabled
1/36 1 Designated Forwarding Enabled Enabled
1/36 2 Designated Forwarding Enabled Enabled
```

```
Switch1# show spanning-tree mstp msti port role 2
```

```
Port Role State STP Status Oper Status
-----
```

```
6 Disabled Discarding Enabled Disabled
33 Designated Forwarding Enabled Enabled
34 Root Forwarding Enabled Enabled
```

```
Switch2#show spanning-tree mstp msti port role 2
```

```
Port Role State STP Status Oper Status
-----
```

```
6 Disabled Discarding Enabled Disabled
35 Designated Forwarding Enabled Enabled
36 Root Forwarding Enabled Enabled
```

On each switch, verify the following information:

Table 22:

Option	Verify
Root	Verify that the MIST 2 root bridge is C3750-2 whose address is 000f.9053.d300. Verify that the MSTI 2 root bridge is ERS-Switch-2 for region named <i>region2</i> whose address is 00:80:2d:ba:d4:01
MSTI 2 Root Port	Verify that under normal operations that the correct port to the MIST 2 root bridge is used: <ul style="list-style-type: none"> • ERS-Switch-1: <ul style="list-style-type: none"> - Port 1/33 - Port 1/24 (Master Forwarding to <i>region1</i>) • Switch1: Port 34 • Switch2: Port 36 • C3750-2: Either port 1/0/21 or 1/0/22
VLANs	Verify that only VLAN 1100 is configured for MSTI 2. If not, the MSTI instance does not appear on the corresponding switch.

Glossary

Address Resolution Protocol (ARP)	Maps an IP address to a physical machine address, for example, maps an IP address to an Ethernet media access control (MAC) address.
American Standard Code for Information Interchange (ASCII)	A code to represent characters in computers. ASCII uses uppercase and lowercase alphabetic letters, numeric digits, and special symbols.
Auto-Detection and Auto-Configuration (ADAC)	Provides automatic switch configuration for IP phone traffic support and prioritization. ADAC can configure the switch whether it is directly connected to the Call Server or uses a network uplink.
Automatic PVID	Automatically sets the port-based VLAN ID when you add the port to the VLAN. The PVID value is the same value as the last port-based VLAN ID associated with the port.
Autonegotiation	Allows the switch to select the best speed and duplex modes for communication between two IEEE-capable devices.
bandwidth	A measure of transmission capacity for a particular pathway, expressed in megabits per second (Mb/s).
base unit (BU)	When you connect multiple switches into a stack, one unit, and only one unit, must be designated as a base unit to perform stack configuration tasks. The position of the unit select switch, on the back of the switch, determines base unit designation.
Bootstrap Protocol (BootP)	A User Datagram Protocol (UDP)/Internet Protocol (IP)-based protocol that a booting host uses to configure itself dynamically and without user supervision.
Bridge Protocol Data Unit (BPDU)	A data frame used to exchange information among the bridges in local or wide area networks for network topology maintenance.
Bridge Protocol Data Units Filtering (BPDU Filtering)	Prevents end devices from influencing an existing spanning tree topology by disabling any port sending BPDUs for appropriately configured ports.
Bridging	A forwarding process, used on Local Area Networks (LAN) and confined to network bridges, that works on Layer 2 and depends on the Spanning Tree

Protocol (STP) or Rapid Spanning Tree Protocol (RSTP). Bridging is also known as MAC forwarding.

CLI Command Line Interface (CLI) is a text-based, common command line interface used for device configuration and management across Extreme Networks products.

CLI modes Differing command modes are available within the text-based interface, dependant on the level of user permissions determined by logon password. Each successive mode level provides access to more complex command sets, from the most restrictive—show level only, to the highest configuration levels for routing parameters, interface configuration, and security.

common and internal spanning tree (CIST) The single spanning tree calculated by the Spanning Tree Protocol (STP), Rapid Spanning Tree Protocol (RSTP), and Multiple Spanning Tree Protocol (MSTP) to ensure that all LANs in a bridged Local Area Network (LAN) are simply and fully connected.

common spanning tree (CST) The single spanning tree calculated by STP, RSTP, and MSTP to connect multiple spanning tree (MST) regions.

Differentiated Services Code Point (DSCP) The first six bits of the DS field. The DSCP uses packet marking to guarantee a fixed percentage of total bandwidth to each of several applications (guarantees quality of service).

Distributed MultiLink Trunking (DMLT) A point-to-point connection that aggregates similar ports from different modules to logically act like a single port, but with the aggregated bandwidth.

Dynamic Host Configuration Protocol (DHCP) A standard Internet protocol that dynamically configures hosts on an Internet Protocol (IP) network for either IPv4 or IPv6. DHCP extends the Bootstrap Protocol (BOOTP).

Enterprise Device Manager (EDM) A web-based embedded management system to support single-element management. EDM provides complete configuration management functionality for the supported devices and is supplied to the customer as embedded software in the device.

far end fault indication (FEFI) Determines that one of two unidirectional fibers, that form the connection between two switches, fails.

Frame Check Sequence (FCS) Frames are used to send upper-layer data and ultimately the user application data from a source to a destination.

graphical user interface (GUI) A graphical (rather than textual) computer interface.

Institute of Electrical and Electronics Engineers (IEEE)	An international professional society that issues standards and is a member of the American National Standards Institute, the International Standards Institute, and the International Standards Organization.
Internet Group Management Protocol (IGMP)	IGMP is a host membership protocol used to arbitrate membership in multicast services. IP multicast routers use IGMP to learn the existence of host group members on their directly attached subnets.
Internet Protocol version 4 (IPv4)	The protocol used to format packets for the Internet and many enterprise networks. IPv4 provides packet routing and reassembly.
Internet Protocol version 6 (IPv6)	An improved version of the IP protocol, IPv6 improves the IPv4 limitations of security and user address numbers.
Layer 2	Layer 2 is the Data Link Layer of the OSI model. Examples of Layer 2 protocols are Ethernet and Frame Relay.
Layer 3	Layer 3 is the Network Layer of the OSI model. An example of a Layer 3 protocol is Internet Protocol (IP).
Link Aggregation	Provides the mechanism to create and manage trunk groups automatically using Link Aggregation Control Protocol (LACP).
Link Aggregation Control Protocol (LACP)	A network handshaking protocol that provides a means to aggregate multiple links between appropriately configured devices.
link aggregation group (LAG)	A group that increases the link speed beyond the limits of one single cable or port, and increases the redundancy for higher availability.
Link Layer Discovery Protocol (LLDP)	Link Layer Discovery Protocol is used by network devices to advertise their identities. Devices send LLDP information at fixed intervals in the form of Ethernet frames, with each frame having one Link Layer Discovery Protocol Data Unit.
load balancing	The practice of splitting communication into two (or more) routes or servers.
Local Area Network (LAN)	A data communications system that lies within a limited spatial area, uses a specific user group and topology, and can connect to a public switched telecommunications network (but is not one).
Logical Link Control (LLC)	A protocol used in LANs to transmit protocol data units between two end stations. This LLC layer addresses and arbitrates data exchange between two endpoints.
mask	A bit string that the device uses along with an IP address to indicate the number of leading bits in the address that correspond with the network part.

maximum transmission unit (MTU)	The largest number of bytes in a packet—the maximum transmission unit of the port.
media	A substance that transmits data between ports; usually fiber optic cables or category 5 unshielded twisted pair (UTP) copper wires.
Media Access Control (MAC)	Arbitrates access to and from a shared medium.
Message Digest 5 (MD5)	A one-way hash function that creates a message digest for digital signatures.
MultiLink Trunking (MLT)	A method of link aggregation that uses multiple Ethernet trunks aggregated to provide a single logical trunk. A multilink trunk provides the combined bandwidth of multiple links and the physical layer protection against the failure of a single link.
multiple spanning tree bridge	A bridge that supports the common spanning tree (CST) and one or more multiple spanning tree instances (MSTI) and selectively maps frames classified in a VLAN to the CST or an MSTI.
multiple spanning tree instance (MSTI)	One of a number of spanning trees calculated by the Multiple Spanning Tree Protocol (MSTP) within an MST region, to provide a simple and fully connected active topology for frames that belong to a VLAN mapped to the MSTI.
Multiple Spanning Tree Protocol (MSTP)	Configures multiple instances of the Rapid Spanning Tree Protocol (RSTP) on the switch.
multiple spanning tree region	A set of LANs and MST bridges physically connected by ports on the MST bridges.
Network Basic Input/Output System (NetBIOS)	An application programming interface (API) that augments the DOS BIOS by adding special functions for Local Area Networks (LAN).
nonbase unit (NBU)	A nonbase unit is any unit in a stack except the base unit.
NonVolatile Random Access Memory (NVRAM)	Random Access Memory that retains its contents after electrical power turns off.
Open Shortest Path First (OSPF)	A link-state routing protocol used as an Interior Gateway Protocol (IGP).
port	A physical interface that transmits and receives data.
port mirroring	A feature that sends received or transmitted traffic to a second destination.

port VLAN ID	Used to coordinate VLANs across multiple switches. When you create a port-based VLAN on a switch, assign a VLAN identification number (VLAN ID) and specify the ports that belong to the VLAN.
prefix	A group of contiguous bits, from 0 to 32 bits in length, that defines a set of addresses.
Protocol Data Units (PDUs)	A unit of data that is specified in a protocol of a specific layer and that consists of protocol-control information of the specific layer and possibly user data of that layer.
quality of service (QoS)	QoS features reserve resources in a congested network, allowing you to configure a higher priority for certain devices. For example, you can configure a higher priority for IP deskphones, which need a fixed bit rate and split the remaining bandwidth between data connections if calls in the network are more important than the file transfers.
Rapid Spanning Tree Protocol (RSTP)	Reduces the recovery time after a network breakdown. RSTP enhances switch-generated Topology Change Notification (TCN) packets to reduce network flooding.
rate limiting	Rate limiting sets the percentage of traffic that is multicast, broadcast, or both, on specified ports.
Remote Authentication Dial-in User Service (RADIUS)	A protocol that authenticates, authorizes, and accounts for remote access connections that use dial-up networking and Virtual Private Network (VPN) functionality.
Routing Information Protocol (RIP)	A distance vector protocol in the IP suite, used by IP network-layer protocol, that enables routers in the same AS to exchange routing information by means of periodic updates. You often use RIP as a very simple interior gateway protocol (IGP) within small networks.
routing switch	Virtualizes the physical router interfaces to switches. A virtual router port, or interface, acts as a router port to consolidate switching and routing functions in the broadcast domain, or between broadcast domains, and enable IP routing for higher traffic volumes.
spanning tree	A simple, fully-connected active topology formed from the arbitrary physical topology of connected bridged Local Area Network components by relaying frames through selected bridge ports. The protocol parameters and states that are used and exchanged to facilitate the calculation of the active topology and to control the bridge relay function.
Spanning Tree Group (STG)	A collection of ports in one spanning-tree instance.

Spanning Tree Protocol (STP)	MAC bridges use the STP to exchange information across Local Area Networks to compute the active topology of a bridged Local Area Network in accordance with the Spanning Tree Protocol algorithm.
Split MultiLink Trunking (SMLT)	An extension to IEEE 802.1AX (link aggregation), provides nodal and link failure protection and flexible bandwidth scaling to improve on the level of Layer 2 resiliency.
stack	Stackable Extreme Networks Ethernet Routing Switches can be connected in a stack configuration of two or more units, up to eight units maximum. A switch stack operates and is managed as a single virtual switch.
stand-alone	Refers to a single Extreme Networks Ethernet Routing Switch operating outside a stack.
Transmission Control Protocol (TCP)	Provides flow control and sequencing for transmitted data over an end-to-end connection.
trunk	A logical group of ports that behaves like a single large port.
User Datagram Protocol (UDP)	In TCP/IP, a packet-level protocol built directly on the Internet Protocol layer. TCP/IP host systems use UDP for application-to-application programs.
Virtual Link Aggregation Control Protocol (VLACP)	Virtual Link Aggregation Control Protocol (VLACP) is a Layer 2 handshaking protocol that can detect end-to-end failure between two physical Ethernet interfaces.
Virtual Local Area Network (VLAN)	A Virtual Local Area Network is a group of hosts that communicate as if they are attached to the same broadcast domain regardless of their physical location. VLANs are layer 2 constructs.
Virtual Private Network (VPN)	A Virtual Private Network (VPN) requires remote users to be authenticated and ensures private information is not accessible to unauthorized parties. A VPN can allow users to access network resources or to share data.