

Extreme Networks 3-Slot Modular Shelf Quick Reference

Part no. VX-RPS-CH3

Product Overview

The 3-Slot Modular Shelf is installed on a standard equipment rack and is designed to hold power supply units and other accessories. The shelf is specifically intended for use with the following Extreme Networks products:

- VX-RPS-1000 Redundant Power Supply (part no. 18202)

Installing the 3-Slot Modular Shelf

Install the 3-Slot Modular Shelf in a standard 19-inch equipment rack.

Required Tools

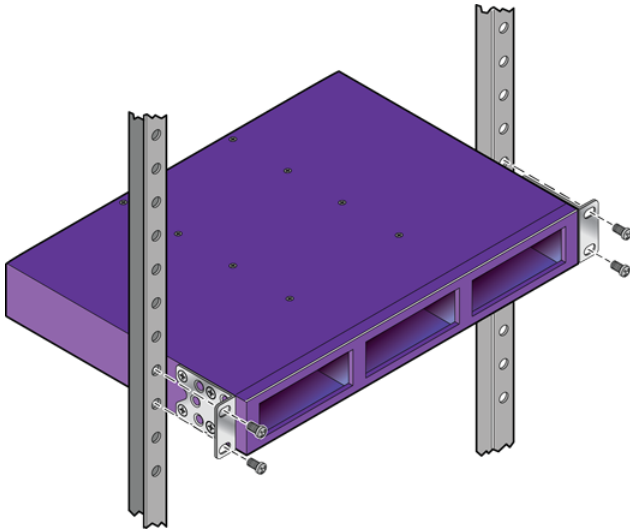
- Phillips screwdriver
- Four customer-supplied rack screws

Installing the Shelf in a Rack

Your shelf can be attached to a two-post rack using the mounting brackets provided with the shelf.

- 1 Use screws (provided) to attach a mounting bracket to one side of the shelf. The brackets are designed so they can be attached to the holes near the front or the rear of the shelf.
- 2 Attach the other mounting bracket to the other side of the shelf.
- 3 Align the holes on each bracket with the rack post holes.
- 4 Secure the shelf to the rack with rack-mounting screws (provided). See Figure 1.

Figure 1 Attaching the Shelf to the Rack (Front Mount Shown)



Placing Equipment into the Shelf

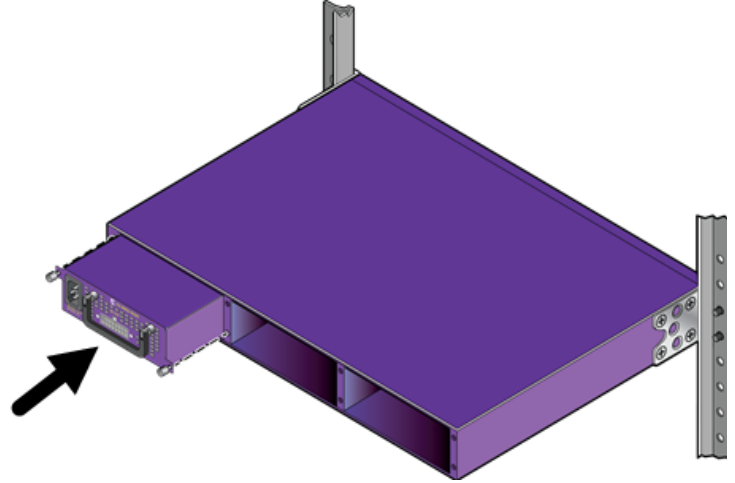
The 3-Slot Modular Shelf is designed to accommodate remote power supplies. To place a power supply on the shelf, follow these steps:



Note: Do not attach rubber feet to the bottom of the power supply.

- 1 At the rear of the shelf, slide the power supply into an empty bay as shown in Figure 2.

Figure 2 Placing a Power Supply into the Shelf



- 2 Attach power cables and ground wires (if applicable) to the power supply.
- 3 Secure the power supply to the shelf using two captive screws on the front panel of the power supply.
- 4 Repeat steps 1-3 to install additional power supplies if desired.
- 5 Attach each power supply to a power source.

Shelf Dimensions

Length 44.0 cm (17.34 in.)

Width 38.7 cm (15.25 in.)

Height 4.4 cm (1.73 in.)

Weight 2.89 kg (6.37 lb)

Getting Help

For additional support related to your equipment or this document, contact Extreme Networks using one of the following methods:

Product Documentation	www.extremenetworks.com/documentation
Global Technical Assistance Center (GTAC)	<p>Phone: 1-800-998-2408 (toll-free in U.S. and Canada) or +1 408-579-2826. For the support phone number in your country, visit: www.extremenetworks.com/support/contact</p> <p>Email: support@extremenetworks.com. To expedite your message, enter the product name or model number in the subject line.</p>
GTAC Knowledge	<p>Get on-demand and tested resolutions from the GTAC Knowledgebase, or create a help case if you need more guidance.</p> <p>Visit: https://gtacknowledge.extremenetworks.com/</p>
The Hub	<p>A forum for Extreme customers to connect with one another, get questions answered, share ideas and feedback, and get problems solved. This community is monitored by Extreme Networks employees, but is not intended to replace specific guidance from GTAC.</p> <p>Visit: https://community.extremenetworks.com</p>
Support Portal	<p>Manage cases, downloads, service contracts, product licensing, and training and certifications.</p> <p>Visit: http://support.extremenetworks.com/</p>

Copyright © 2017 Extreme Networks, Inc. All Rights Reserved.

Extreme Networks 3-Slot Modular Shelf

Quick Reference

VX-RPS-CH3

P/N 121186-00