



ExtremeSwitching™

Configuring IPv4 Routing on VSP Operating System Software

Release 7.0 (VOSS)
9035345 Rev.02
May 2018

© 2018, Extreme Networks, Inc.
All Rights Reserved.

Notice

While reasonable efforts have been made to ensure that the information in this document is complete and accurate at the time of printing, Extreme Networks, Inc. assumes no liability for any errors. Extreme Networks, Inc. reserves the right to make changes and corrections to the information in this document without the obligation to notify any person or organization of such changes.

Documentation disclaimer

"Documentation" means information published in varying mediums which may include product information, operating instructions and performance specifications that are generally made available to users of products. Documentation does not include marketing materials. Extreme Networks shall not be responsible for any modifications, additions, or deletions to the original published version of Documentation unless such modifications, additions, or deletions were performed by or on the express behalf of Extreme Networks. End User agrees to indemnify and hold harmless Extreme Networks, Extreme Networks' agents, servants and employees against all claims, lawsuits, demands and judgments arising out of, or in connection with, subsequent modifications, additions or deletions to this documentation, to the extent made by End User.

Link disclaimer

Extreme Networks is not responsible for the contents or reliability of any linked websites referenced within this site or Documentation provided by Extreme Networks. Extreme Networks is not responsible for the accuracy of any information, statement or content provided on these sites and does not necessarily endorse the products, services, or information described or offered within them. Extreme Networks does not guarantee that these links will work all the time and has no control over the availability of the linked pages.

Warranty

Extreme Networks provides a limited warranty on Extreme Networks hardware and software. Refer to your sales agreement to establish the terms of the limited warranty. In addition, Extreme Networks' standard warranty language, as well as information regarding support for this product while under warranty is available to Extreme Networks customers and other parties through the Extreme Networks Support website: <http://www.extremenetworks.com/support> under the link "Policies" or such successor site as designated by Extreme Networks. Please note that if You acquired the product(s) from an authorized Extreme Networks Channel Partner outside of the United States and Canada, the warranty is provided to You by said Extreme Networks Channel Partner and not by Extreme Networks.

"Hosted Service" means an Extreme Networks hosted service subscription that You acquire from either Extreme Networks or an authorized Extreme Networks Channel Partner (as applicable) and which is described further in Hosted SAS or other service description documentation regarding the applicable hosted service. If You purchase a Hosted Service subscription, the foregoing limited warranty may not apply but You may be entitled to support services in connection with the Hosted Service as described further in your service description documents for the applicable Hosted Service. Contact Extreme Networks or Extreme Networks Channel Partner (as applicable) for more information.

Hosted Service

THE FOLLOWING APPLIES ONLY IF YOU PURCHASE AN EXTREME NETWORKS HOSTED SERVICE SUBSCRIPTION FROM EXTREME NETWORKS OR AN EXTREME NETWORKS CHANNEL PARTNER (AS APPLICABLE), THE TERMS OF USE FOR HOSTED SERVICES ARE AVAILABLE ON THE EXTREME NETWORKS WEBSITE, <https://extremeportal.force.com> OR SUCH SUCCESSOR SITE AS DESIGNATED BY EXTREME NETWORKS, AND ARE APPLICABLE TO ANYONE WHO ACCESSES OR USES THE HOSTED SERVICE. BY ACCESSING OR USING THE HOSTED SERVICE, OR AUTHORIZING OTHERS TO DO SO, YOU, ON BEHALF OF YOURSELF AND THE ENTITY FOR WHOM YOU ARE DOING SO (HEREINAFTER REFERRED TO INTERCHANGEABLY AS "YOU" AND "END USER"), AGREE TO THE TERMS OF USE. IF YOU ARE ACCEPTING THE TERMS OF USE ON BEHALF A COMPANY OR OTHER LEGAL ENTITY, YOU

REPRESENT THAT YOU HAVE THE AUTHORITY TO BIND SUCH ENTITY TO THESE TERMS OF USE. IF YOU DO NOT HAVE SUCH AUTHORITY, OR IF YOU DO NOT WISH TO ACCEPT THESE TERMS OF USE, YOU MUST NOT ACCESS OR USE THE HOSTED SERVICE OR AUTHORIZE ANYONE TO ACCESS OR USE THE HOSTED SERVICE.

Licenses

THE SOFTWARE LICENSE TERMS AVAILABLE ON THE EXTREME NETWORKS WEBSITE, <https://extremeportal.force.com> OR SUCH SUCCESSOR SITE AS DESIGNATED BY EXTREME NETWORKS, ARE APPLICABLE TO ANYONE WHO DOWNLOADS, USES AND/OR INSTALLS EXTREME NETWORKS SOFTWARE, PURCHASED FROM EXTREME NETWORKS, INC., ANY EXTREME NETWORKS AFFILIATE, OR AN EXTREME NETWORKS CHANNEL PARTNER (AS APPLICABLE) UNDER A COMMERCIAL AGREEMENT WITH EXTREME NETWORKS OR AN EXTREME NETWORKS CHANNEL PARTNER. UNLESS OTHERWISE AGREED TO BY EXTREME NETWORKS IN WRITING, EXTREME NETWORKS DOES NOT EXTEND THIS LICENSE IF THE SOFTWARE WAS OBTAINED FROM ANYONE OTHER THAN EXTREME NETWORKS, AN EXTREME NETWORKS AFFILIATE OR AN EXTREME NETWORKS CHANNEL PARTNER; EXTREME NETWORKS RESERVES THE RIGHT TO TAKE LEGAL ACTION AGAINST YOU AND ANYONE ELSE USING OR SELLING THE SOFTWARE WITHOUT A LICENSE. BY INSTALLING, DOWNLOADING OR USING THE SOFTWARE, OR AUTHORIZING OTHERS TO DO SO, YOU, ON BEHALF OF YOURSELF AND THE ENTITY FOR WHOM YOU ARE INSTALLING, DOWNLOADING OR USING THE SOFTWARE (HEREINAFTER REFERRED TO INTERCHANGEABLY AS "YOU" AND "END USER"), AGREE TO THESE TERMS AND CONDITIONS AND CREATE A BINDING CONTRACT BETWEEN YOU AND EXTREME NETWORKS, INC. OR THE APPLICABLE EXTREME NETWORKS AFFILIATE ("EXTREME NETWORKS").

Extreme Networks grants You a license within the scope of the license types described below. Where the order documentation does not expressly identify a license type, the applicable license will be a Designated System License as set forth below in the Designated System(s) License (DS) section as applicable. The applicable number of licenses and units of capacity for which the license is granted will be one (1), unless a different number of licenses or units of capacity is specified in the documentation or other materials available to You. "Software" means computer programs in object code, provided by Extreme Networks or an Extreme Networks Channel Partner, whether as stand-alone products, pre-installed on hardware products, and any upgrades, updates, patches, bug fixes, or modified versions thereto. "Designated Processor" means a single stand-alone computing device. "Server" means a set of Designated Processors that hosts (physically or virtually) a software application to be accessed by multiple users. "Instance" means a single copy of the Software executing at a particular time: (i) on one physical machine; or (ii) on one deployed software virtual machine ("VM") or similar deployment.

License type(s)

Designated System(s) License (DS). End User may install and use each copy or an Instance of the Software only: 1) on a number of Designated Processors up to the number indicated in the order; or 2) up to the number of Instances of the Software as indicated in the order, Documentation, or as authorized by Extreme Networks in writing. Extreme Networks may require the Designated Processor(s) to be identified in the order by type, serial number, feature key, Instance, location or other specific designation, or to be provided by End User to Extreme Networks through electronic means established by Extreme Networks specifically for this purpose.

Copyright

Except where expressly stated otherwise, no use should be made of materials on this site, the Documentation, Software, Hosted Service, or hardware provided by Extreme Networks. All content on this site, the documentation, Hosted Service, and the product provided by Extreme Networks including the selection, arrangement and design of the content is owned either by Extreme Networks or its licensors and is protected by copyright and other intellectual property laws including the sui generis rights relating to the protection of databases. You may not modify, copy, reproduce, republish, upload, post, transmit or distribute in any way any content, in whole or in part,

including any code and software unless expressly authorized by Extreme Networks. Unauthorized reproduction, transmission, dissemination, storage, and or use without the express written consent of Extreme Networks can be a criminal, as well as a civil offense under the applicable law.

Virtualization

The following applies if the product is deployed on a virtual machine. Each product has its own ordering code and license types. Note, unless otherwise stated, that each Instance of a product must be separately licensed and ordered. For example, if the end user customer or Extreme Networks Channel Partner would like to install two Instances of the same type of products, then two products of that type must be ordered.

Third Party Components

"Third Party Components" mean certain software programs or portions thereof included in the Software or Hosted Service may contain software (including open source software) distributed under third party agreements ("Third Party Components"), which contain terms regarding the rights to use certain portions of the Software ("Third Party Terms"). As required, information regarding distributed Linux OS source code (for those products that have distributed Linux OS source code) and identifying the copyright holders of the Third Party Components and the Third Party Terms that apply is available in the products, Documentation or on Extreme Networks' website at: <http://www.extremenetworks.com/support/policies/software-licensing> or such successor site as designated by Extreme Networks. The open source software license terms provided as Third Party Terms are consistent with the license rights granted in these Software License Terms, and may contain additional rights benefiting You, such as modification and distribution of the open source software. The Third Party Terms shall take precedence over these Software License Terms, solely with respect to the applicable Third Party Components to the extent that these Software License Terms impose greater restrictions on You than the applicable Third Party Terms.

The following applies only if the H.264 (AVC) codec is distributed with the product. THIS PRODUCT IS LICENSED UNDER THE AVC PATENT PORTFOLIO LICENSE FOR THE PERSONAL USE OF A CONSUMER OR OTHER USES IN WHICH IT DOES NOT RECEIVE REMUNERATION TO (i) ENCODE VIDEO IN COMPLIANCE WITH THE AVC STANDARD ("AVC VIDEO") AND/OR (ii) DECODE AVC VIDEO THAT WAS ENCODED BY A CONSUMER ENGAGED IN A PERSONAL ACTIVITY AND/OR WAS OBTAINED FROM A VIDEO PROVIDER LICENSED TO PROVIDE AVC VIDEO. NO LICENSE IS GRANTED OR SHALL BE IMPLIED FOR ANY OTHER USE. ADDITIONAL INFORMATION MAY BE OBTAINED FROM MPEG LA, L.L.C. SEE [HTTP://WWW.MPEGLA.COM](http://WWW.MPEGLA.COM).

Service Provider

THE FOLLOWING APPLIES TO EXTREME NETWORKS CHANNEL PARTNER'S HOSTING OF EXTREME NETWORKS PRODUCTS OR SERVICES. THE PRODUCT OR HOSTED SERVICE MAY USE THIRD PARTY COMPONENTS SUBJECT TO THIRD PARTY TERMS AND REQUIRE A SERVICE PROVIDER TO BE INDEPENDENTLY LICENSED DIRECTLY FROM THE THIRD PARTY SUPPLIER. AN EXTREME NETWORKS CHANNEL PARTNER'S HOSTING OF EXTREME NETWORKS PRODUCTS MUST BE AUTHORIZED IN WRITING BY EXTREME NETWORKS AND IF THOSE HOSTED PRODUCTS USE OR EMBED CERTAIN THIRD PARTY SOFTWARE, INCLUDING BUT NOT LIMITED TO MICROSOFT SOFTWARE OR CODECS, THE EXTREME NETWORKS CHANNEL PARTNER IS REQUIRED TO INDEPENDENTLY OBTAIN ANY APPLICABLE LICENSE AGREEMENTS, AT THE EXTREME NETWORKS CHANNEL PARTNER'S EXPENSE, DIRECTLY FROM THE APPLICABLE THIRD PARTY SUPPLIER.

WITH RESPECT TO CODECS, IF THE EXTREME NETWORKS CHANNEL PARTNER IS HOSTING ANY PRODUCTS THAT USE OR EMBED THE G.729 CODEC, H.264 CODEC, OR H.265 CODEC, THE EXTREME NETWORKS CHANNEL PARTNER ACKNOWLEDGES AND AGREES THE EXTREME NETWORKS CHANNEL PARTNER IS RESPONSIBLE FOR ANY AND ALL RELATED FEES AND/OR ROYALTIES. THE G.729 CODEC IS LICENSED BY SIPRO LAB TELECOM INC. SEE WWW.SIPRO.COM/CONTACT.HTML. THE H.264 (AVC) CODEC IS LICENSED UNDER THE AVC PATENT PORTFOLIO LICENSE FOR

THE PERSONAL USE OF A CONSUMER OR OTHER USES IN WHICH IT DOES NOT RECEIVE REMUNERATION TO: (I) ENCODE VIDEO IN COMPLIANCE WITH THE AVC STANDARD ("AVC VIDEO") AND/OR (II) DECODE AVC VIDEO THAT WAS ENCODED BY A CONSUMER ENGAGED IN A PERSONAL ACTIVITY AND/OR WAS OBTAINED FROM A VIDEO PROVIDER LICENSED TO PROVIDE AVC VIDEO. NO LICENSE IS GRANTED OR SHALL BE IMPLIED FOR ANY OTHER USE. ADDITIONAL INFORMATION FOR H.264 (AVC) AND H.265 (HEVC) CODECS MAY BE OBTAINED FROM MPEG LA, L.L.C. SEE [HTTP://WWW.MPEGLA.COM](http://WWW.MPEGLA.COM).

Compliance with Laws

You acknowledge and agree that it is Your responsibility for complying with any applicable laws and regulations, including, but not limited to laws and regulations related to call recording, data privacy, intellectual property, trade secret, fraud, and music performance rights, in the country or territory where the Extreme Networks product is used.

Preventing Toll Fraud

"Toll Fraud" is the unauthorized use of your telecommunications system by an unauthorized party (for example, a person who is not a corporate employee, agent, subcontractor, or is not working on your company's behalf). Be aware that there can be a risk of Toll Fraud associated with your system and that, if Toll Fraud occurs, it can result in substantial additional charges for your telecommunications services.

Security Vulnerabilities

Information about Extreme Networks' security support policies can be found in the Global Technical Assistance Center Knowledgebase at <https://gtacknowledge.extremenetworks.com/>.

Downloading Documentation

For the most current versions of Documentation, see the Extreme Networks Support website: <http://documentation.extremenetworks.com>, or such successor site as designated by Extreme Networks.

Contact Extreme Networks Support

See the Extreme Networks Support website: <http://www.extremenetworks.com/support> for product or Hosted Service notices and articles, or to report a problem with your Extreme Networks product or Hosted Service. For a list of support telephone numbers and contact addresses, go to the Extreme Networks Support website: <http://www.extremenetworks.com/support/contact/> (or such successor site as designated by Extreme Networks), scroll to the bottom of the page, and select Contact Extreme Networks Support.

Trademarks

The trademarks, logos and service marks ("Marks") displayed in this site, the Documentation, Hosted Service(s), and product(s) provided by Extreme Networks are the registered or unregistered Marks of Extreme Networks, Inc., its affiliates, its licensors, its suppliers, or other third parties. Users are not permitted to use such Marks without prior written consent from Extreme Networks or such third party which may own the Mark. Nothing contained in this site, the Documentation, Hosted Service(s) and product(s) should be construed as granting, by implication, estoppel, or otherwise, any license or right in and to the Marks without the express written permission of Extreme Networks or the applicable third party.

Extreme Networks is a registered trademark of Extreme Networks, Inc.

All non-Extreme Networks trademarks are the property of their respective owners. Linux[®] is the registered trademark of Linus Torvalds in the U.S. and other countries.

For additional information on Extreme Networks trademarks, please see: <http://www.extremenetworks.com/company/legal/>

Contents

Chapter 1: Preface	10
Purpose.....	10
Training.....	11
Providing Feedback to Us.....	11
Getting Help.....	11
Extreme Networks Documentation.....	12
Subscribing to Service Notifications.....	12
Chapter 2: New in this document	14
Notice about feature support.....	14
Chapter 3: IP routing operations fundamentals	15
IP addressing.....	15
Loopback.....	18
Static routes.....	19
Black hole static routes.....	20
VLANs and routing.....	21
Equal Cost Multipath.....	22
Alternative routes.....	22
Route filtering and IP policies.....	24
IP Source Routing.....	27
Prefix list.....	28
Route policy definition.....	28
Address Resolution Protocol.....	33
Reverse Address Resolution Protocol.....	34
Multihoming.....	35
DHCP option 82.....	35
UDP broadcast forwarding.....	38
Virtual Router Redundancy Protocol.....	39
VRRP guidelines.....	42
VRRPv3.....	45
VRRPv3 guidelines.....	45
RSMLT.....	46
Enable or disable IPv4 ICMP broadcast.....	50
Distributed Virtual Routing (DvR).....	50
DvR domain and its members.....	51
DvR backbone.....	53
DvR operation.....	54
ARP Learning	55
dvr-leaf-mode boot flag.....	55
In-band management.....	55

DvR deployment scenarios.....	56
DvR route redistribution	58
DvR limitations.....	62
Chapter 4: DvR configuration using the CLI.....	64
DvR Controller configuration.....	64
Configuring a DvR Controller.....	64
Disabling injection of default routes on a Controller.....	65
Configuring DvR route redistribution.....	67
Clearing DvR host entries.....	69
DvR Leaf configuration.....	70
Configuring a DvR Leaf	70
Configuring vIST on a DvR Leaf node pair.....	72
Configuring in-band management IP address	74
Moving a vIST Leaf node pair from one domain to another.....	76
Moving a vIST Controller pair from one domain to another.....	78
Configuring a non-DvR BEB to join the DvR backbone.....	81
DvR show commands.....	83
Viewing DvR summary.....	84
Viewing members of a DvR domain.....	86
Viewing DvR interfaces.....	87
Viewing DvR host entries.....	89
Viewing DvR routes.....	91
Viewing DvR database information.....	93
Viewing DvR backbone entries	95
Viewing DvR backbone members.....	98
Viewing Layer 3 VSN information.....	100
Viewing DvR domain redistribution information.....	101
Chapter 5: DvR configuration using the EDM.....	104
Configuring a DvR Controller or a DvR Leaf globally.....	104
Viewing DvR routes.....	106
Viewing members of a DvR domain.....	107
Viewing DvR backbone members.....	108
Viewing DvR interfaces.....	109
Viewing DvR Host entries.....	110
Clearing DvR host entries.....	111
Viewing Layer 3 VSN information	112
Viewing the DvR database.....	113
Viewing DvR backbone entries on a Controller.....	114
Chapter 6: ARP configuration using the CLI.....	116
Enabling ARP on a port or a VLAN.....	116
Enabling ARP proxy.....	117
Showing ARP information.....	117
Configuring IP ARP static entries.....	120

Clearing ARP entries.....	121
Showing ARP table information.....	122
Configuring Gratuitous ARP.....	125
Chapter 7: ARP configuration using Enterprise Device Manager.....	126
Enabling or disabling ARP on the brouter port or a VRF instance.....	126
Enabling or disabling ARP on a VLAN or a VRF instance.....	127
Viewing and managing ARP.....	128
Creating static ARP entries.....	128
Configuring ARP proxy.....	129
Chapter 8: DHCP and UDP configuration using the CLI.....	130
Configuring DHCP parameters globally.....	130
Showing DHCP relay information.....	132
Configuring DHCP option 82.....	133
Configuring DHCP relay on a port or VLAN.....	135
Configuring UDP broadcast forwarding.....	137
Configuring UDP protocols.....	138
Configuring a UDP port forward entry.....	139
Configuring the UDP port forwarding list.....	140
Showing UDP forward information.....	143
Chapter 9: DHCP and UDP configuration using Enterprise Device Manager.....	145
Configuring DHCP on a brouter port or a VRF instance.....	145
Configuring BootP/DHCP on a VLAN or VRF instance.....	147
Configuring DHCP relay.....	148
Viewing DHCP relay configuration information.....	149
Managing UDP forwarding protocols.....	150
Managing UDP forwarding.....	151
Creating the forwarding profile.....	152
Managing the broadcast interface.....	153
Viewing UDP endpoint information.....	155
Chapter 10: IP policy configuration using the CLI.....	156
Configuring prefix lists.....	156
Configuring an IPv6 prefix list.....	158
Configuring IP route policies.....	159
Configuring a policy to accept external routes from a router.....	166
Applying OSPF accept policy changes.....	168
Configuring inter-VRF redistribution policies.....	170
Chapter 11: IP policy configuration using Enterprise Device Manager.....	173
Configuring a prefix list.....	173
Configuring IPv6 Prefix List.....	174
Configuring a route policy.....	175
Applying a route policy.....	179
Viewing IP routes.....	180
Configuring an OSPF accept policy.....	182

Configuring inbound/outbound filtering policies on a RIP interface.....	184
Deleting inbound/outbound filtering policies on a RIP interface.....	184
Chapter 12: IP routing configuration using the CLI.....	186
Enabling routing globally or on a VRF instance.....	186
Enabling routing on an IP interface.....	187
Deleting a dynamically learned route.....	188
Configuring IP route preferences.....	189
Flushing routing tables by VLAN or port.....	191
Assigning an IP address to a port.....	192
Assigning an IP address to a VLAN.....	193
Configuring an IP address for the management port.....	195
Viewing IP addresses for all router interfaces.....	196
Configuring IP routing globally or for a VRF.....	197
Configuring static routes	201
Configuring a black hole static route.....	204
Configuring a default static route.....	205
Enabling ICMP Router Discovery globally.....	207
Enabling or disabling IPv4 ICMP broadcast globally.....	208
Enabling or disabling IPv4 ICMP broadcast per VRF.....	208
Configuring Router Discovery on a port or VLAN.....	209
Configuring a CLIP interface.....	211
Viewing TCP and UDP information.....	212
Chapter 13: IP routing configuration using Enterprise Device Manager.....	215
Enabling routing for a router or a VRF instance.....	215
Deleting a dynamically-learned route.....	215
Configuring IP route preferences.....	217
Flushing routing tables by VLAN.....	218
Flushing routing tables by port.....	219
Assigning an IP address to a port.....	219
Assigning an IP address to a VLAN.....	221
Viewing IP addresses for all router interfaces.....	222
Configuring IP routing features globally.....	223
Configuring ECMP globally.....	225
Enabling alternative routes globally.....	226
Configuring static routes using EDM.....	226
Deleting a static route.....	228
Configuring a default static route.....	229
Configuring a black hole static route.....	229
Viewing IP routes.....	230
Configuring ICMP Router Discovery globally.....	233
Configuring the ICMP Router Discovery table.....	233
Configuring ICMP Router Discovery for a port.....	234
Configuring ICMP Router Discovery on a VLAN.....	236

Configuring a Circuitless IPv4 interface.....	237
Enabling OSPF on a CLIP interface.....	238
Enabling PIM on a CLIP interface.....	239
Viewing TCP global information.....	239
Viewing TCP connections information.....	240
Viewing TCP listeners information.....	242
Chapter 14: RSMLT configuration using the CLI.....	243
Configuring RSMLT on a VLAN.....	243
Showing IP RSMLT information.....	244
Configuring RSMLT edge support.....	247
Chapter 15: RSMLT configuration using Enterprise Device Manager.....	249
Configuring RSMLT on a VLAN.....	249
Viewing and editing RSMLT local information.....	250
Viewing RSMLT peer information.....	251
Enabling RSMLT Edge support.....	252
Viewing RSMLT edge support information.....	253
Chapter 16: VRRP configuration using the CLI.....	254
Configuring VRRP on a port or a VLAN.....	254
Showing VRRP information	258
Showing extended VLAN VRRP.....	261
Showing VRRP interface information	263
Enabling ping to a virtual IP address.....	265
Variable definitions.....	266
Configuring VRRP notification control.....	266
Variable definitions.....	267
Configuring VRRP version on an interface.....	267
Enabling IPv4 VRRP preempt-mode.....	268
Chapter 17: VRRP configuration using EDM.....	270
Enabling VRRP global variables.....	271
Modifying VRRP parameters for an interface.....	271
Configuring VRRP on a V3 interface.....	274
Configuring VRRPv3 Checksum.....	276
Configuring Fast Advertisement Interval on a port or a VRF instance.....	277
Configuring Fast Advertisement Interval on a VLAN or a VRF instance.....	278
Chapter 18: VRF Lite fundamentals.....	279
Overview.....	279
VRF Lite capability and functionality.....	281
VRF Lite and inter-VRF route redistribution.....	283
Port parameters and VRF Lite management.....	284
Management VRF.....	284
VRF Lite configuration rules.....	286
Virtualized protocols.....	287

Chapter 19: VRF Lite configuration using the CLI	289
Creating a VRF instance.....	290
Associating a VLAN or port with a VRF instance.....	293
Creating an IP VPN instance on a VRF.....	295
Configuring the maximum number of VRFs.....	296
Chapter 20: VRF Lite configuration using Enterprise Device Manager	299
Configuring a VRF instance.....	299
Associating a port to a VRF instance.....	300
Configuring interVRF route redistribution policies.....	301
Viewing brouter port and VRF associations.....	302
Viewing global VRF status information.....	303
Viewing VRF instance statistics and status information.....	304
Viewing VRF statistics for a VRF.....	305
Selecting and launching a VRF context view	305
Creating an IP VPN instance on a VRF.....	306
Configuring the maximum number of VRFs.....	307
Chapter 21: CLI show command reference	309
DvR show commands.....	309
Viewing DvR summary.....	309
Viewing members of a DvR domain.....	311
Viewing DvR interfaces.....	312
Viewing DvR host entries.....	314
Viewing DvR routes.....	317
Viewing DvR database information.....	319
Viewing DvR backbone entries	321
Viewing DvR backbone members.....	324
Viewing Layer 3 VSN information.....	325
Viewing DvR domain redistribution information.....	327
Chapter 22: IPv4 configuration examples	329
Configuring a DvR solution.....	329
Glossary	337

Chapter 1: Preface

Purpose

This document provides information on features in VSP Operating System Software (VOSS). VOSS runs on the following product families:

- Extreme Networks Virtual Services Platform 4000 Series
- Extreme Networks Virtual Services Platform 7200 Series
- Extreme Networks Virtual Services Platform 8000 Series (includes VSP 8200 and VSP 8400 Series)
- Extreme Networks Virtual Services Platform 8600

This document provides procedures and conceptual information that you can use to configure the general routing operations on the switch. The operations included are:

- Address Resolution Protocol (ARP)
- TCP and UDP
- Dynamic Host Configuration Protocol (DHCP) Relay
- Virtual Router Redundancy Protocol (VRRP)
- VRF-Lite
- Routed Split Multi-Link Trunking (RSMLT)
- Circuitless IP (CLIP) interfaces
- Static routes
- Point-to-Point Protocol over Ethernet
- Equal Cost Multipath (ECMP)
- Routing policies

Examples and network illustrations in this document may illustrate only one of the supported platforms. Unless otherwise noted, the concept illustrated applies to all supported platforms.

Training

Ongoing product training is available. For more information or to register, you can access the Web site at www.extremenetworks.com/education/.

Providing Feedback to Us

We are always striving to improve our documentation and help you work better, so we want to hear from you! We welcome all feedback but especially want to know about:

- Content errors or confusing or conflicting information.
- Ideas for improvements to our documentation so you can find the information you need faster.
- Broken links or usability issues.

If you would like to provide feedback to the Extreme Networks Information Development team about this document, please contact us using our short [online feedback form](#). You can also email us directly at internalinfodev@extremenetworks.com

Getting Help

If you require assistance, contact Extreme Networks using one of the following methods:

- [GTAC \(Global Technical Assistance Center\) for Immediate Support](#)
 - Phone: 1-800-998-2408 (toll-free in U.S. and Canada) or +1 408-579-2826. For the support phone number in your country, visit: www.extremenetworks.com/support/contact
 - Email: support@extremenetworks.com. To expedite your message, enter the product name or model number in the subject line.
- [GTAC Knowledge](#) – Get on-demand and tested resolutions from the GTAC Knowledgebase, or create a help case if you need more guidance.
- [The Hub](#) – A forum for Extreme customers to connect with one another, get questions answered, share ideas and feedback, and get problems solved. This community is monitored by Extreme Networks employees, but is not intended to replace specific guidance from GTAC.
- [Support Portal](#) – Manage cases, downloads, service contracts, product licensing, and training and certifications.

Before contacting Extreme Networks for technical support, have the following information ready:

- Your Extreme Networks service contract number and/or serial numbers for all involved Extreme Networks products
- A description of the failure
- A description of any action(s) already taken to resolve the problem

- A description of your network environment (such as layout, cable type, other relevant environmental information)
- Network load at the time of trouble (if known)
- The device history (for example, if you have returned the device before, or if this is a recurring problem)
- Any related RMA (Return Material Authorization) numbers

Extreme Networks Documentation

To find Extreme Networks product guides, visit our documentation pages at:

Current Product Documentation

www.extremenetworks.com/documentation/

Archived Documentation (for previous versions and legacy products)

www.extremenetworks.com/support/documentation-archives/

Release Notes

www.extremenetworks.com/support/release-notes

Open Source Declarations

Some software files have been licensed under certain open source licenses. More information is available at: www.extremenetworks.com/support/policies/software-licensing.

Subscribing to Service Notifications

Subscribe to receive an email notification for product and software release announcements, Vulnerability Notices, and Service Notifications.

About this task

You can modify your product selections at any time.

Procedure

1. In an Internet browser, go to <http://www.extremenetworks.com/support/service-notification-form/>.
2. Type your first and last name.
3. Type the name of your company.
4. Type your email address.
5. Type your job title.
6. Select the industry in which your company operates.
7. Confirm your geographic information is correct.

8. Select the products for which you would like to receive notifications.
9. Click **Submit**.

Chapter 2: New in this document

There are no feature changes in this document.

Notice about feature support

This document includes content for multiple hardware platforms across different software releases. As a result, the content can include features not supported by your hardware in the current software release.

If a documented command, parameter, tab, or field does not appear on your hardware, it is not supported.

For information about feature support, see *Release Notes*.

For information about physical hardware restrictions, see your hardware documentation.

Chapter 3: IP routing operations fundamentals

Use the information in this section to understand IP routing.

For more information about Border Gateway Protocol (BGP), see *Configuring BGP Services*.

For more information about Open Shortest Path First (OSPF) and Routing Information Protocol (RIP), see *Configuring OSPF and RIP*.

IP addressing

An IP version 4 address consists of 32 bits expressed in dotted-decimal format (x.x.x.x). The IP version 4 address space is divided into classes, with classes A, B, and C reserved for unicast addresses and accounting for 87.5 percent of the 32-bit IP address space. Class D is reserved for multicast addressing. The following table lists the breakdown of IP address space by address range and mask.

Class	Address range	Mask	Number of addresses
A	1.0.0.0 to 126.0.0.0	255.0.0.0	126
B	128.0.0.0 to 191.0.0.0	255.255.0.0	127 * 255
C	192.0.0.0 to 223.0.0.0	255.255.255.0	31 * 255 * 255
D	224.0.0.0 to 239.0.0.0	—	—

To express an IP address in dotted-decimal notation, you convert each octet of the IP address to a decimal number and separate the numbers by decimal points. For example, you specify the 32-bit IP address 10000000 00100000 00001010 10100111 in dotted-decimal notation as 128.32.10.167.

Each IP address class, when expressed in binary, has a different boundary point between the network and host portions of the address as illustrated in the following figure. The network portion is a network number field from 8 through 24 bits. The remaining 8 through 24 bits identify a specific host on the network.

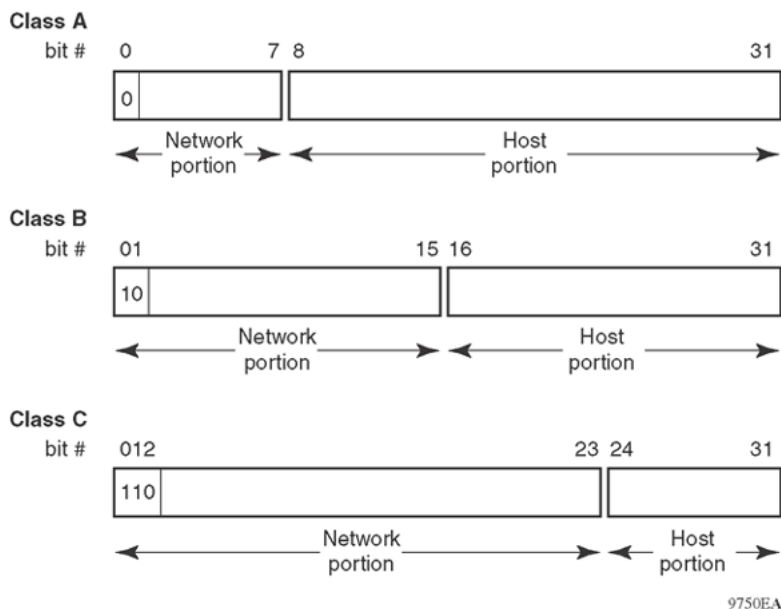


Figure 1: Network and host boundaries in IP address classes

Subnet addressing

Subnetworks (or subnets) extend the IP addressing scheme an organization uses to one with an IP address range for multiple networks. Subnets are two or more physical networks that share a common network-identification field (the network portion of the 32-bit IP address).

You create a subnet address by increasing the network portion to include a subnet address, thus decreasing the host portion of the IP address. For example, in the address 128.32.10.0, the network portion is 128.32, while the subnet is found in the first octet of the host portion (10). A subnet mask is applied to the IP address and identifies the network and host portions of the address.

The following table illustrates how subnet masks used with class B and class C addresses can create differing numbers of subnets and hosts. This example includes the zero subnet, which is permitted on the switch.

Table 1: Subnet masks for class B and class C IP addresses

Number of bits	Subnet mask	Number of subnets (recommended)	Number of hosts for each subnet
Class B			
2	255.255.192.0	2	16 382
3	255.255.224.0	6	8 190
4	255.255.240.0	14	4 094
5	255.255.248.0	30	2 046
6	255.255.252.0	62	1 022
7	255.255.254.0	126	510
8	255.255.255.0	254	254

Table continues...

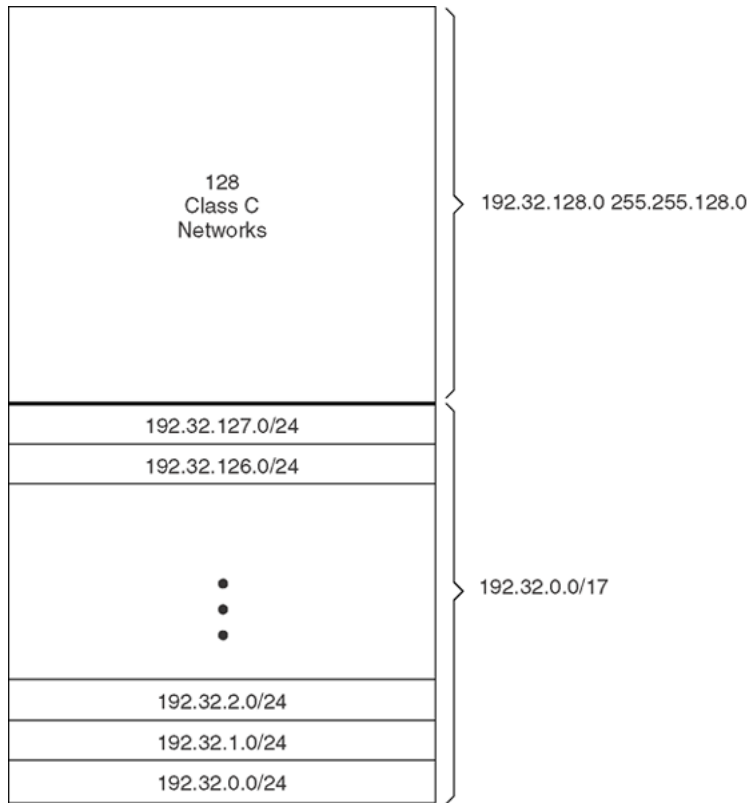
Number of bits	Subnet mask	Number of subnets (recommended)	Number of hosts for each subnet
9	255.255.255.128	510	126
10	255.255.255.192	1 022	62
11	255.255.255.224	2 046	30
12	255.255.255.240	4 094	14
13	255.255.255.248	8 190	6
14	255.255.255.252	16 382	2
Class C			
1	255.255.255.128	0	126
2	255.255.255.192	2	62
3	255.255.255.224	6	30
4	255.255.255.240	14	14
5	255.255.255.248	30	6
6	255.255.255.252	62	2

You use variable-length subnet masking (VLSM) to divide your intranet into pieces that match your requirements. Routing is based on the longest subnet mask or network that matches. Routing Information Protocol version 2 and Open Shortest Path First are routing protocols that support VLSM.

Supernet addressing and CIDR

A supernet, or classless interdomain routing (CIDR) address, is a group of networks identified by contiguous network addresses. IP service providers can assign customers blocks of contiguous addresses to define supernets as needed. You can use supernetting to address an entire block of class C addresses and avoid using large routing tables to track the addresses.

Each supernet has a unique supernet address that consists of the upper bits shared by all of the addresses in the contiguous block. For example, consider the class C addresses shown in the following figure. By adding the mask 255.255.128.0 to IP address 192.32.128.0, you aggregate the addresses 192.32.128.0 through 192.32.255.255 and 128 class C addresses use a single routing advertisement. In the bottom half of the following figure, you use 192.32.0.0/17 to aggregate the 128 addresses (192.32.0.0/24 to 192.32.127.0/24).



9577EA

Figure 2: Class C address supernet

Another example is the block of addresses 192.32.0.0 to 192.32.7.0. The supernet address for this block is 11000000 00100000 00000, with the 21 upper bits shared by the 32-bit addresses.

A complete supernet address consists of an address and mask pair:

- The address is the first 32-bit IP address in the contiguous block. In this example, the address is 11000000 00100000 00000000 00000000 (192.32.0.0 in dotted-decimal notation).
- The mask is a 32-bit string containing a set bit for each bit position in the supernet part of the address. The mask for the supernet address in this example is 11111111 11111111 11111000 00000000 (255.255.248.0 in dotted-decimal notation).

The complete supernet address in this example is 192.32.0.0/21.

Although classes prohibit using an address mask with the IP address, you can use CIDR to create networks of various sizes using the address mask. With CIDR, the routers outside the network use the addresses.

Loopback

Circuitless IP (CLIP) is a virtual (or loopback) interface that is not associated with a physical port. You can use the CLIP interface to provide uninterrupted connectivity to your device as long as a path exists to reach the device.

For example, as shown in the following figure, a physical point-to-point link exists between R1 and R2 along with the associated addresses (195.39.1.1/30 and 195.39.1.2/30). Use an interior Border Gateway Protocol (iBGP) session between two additional addresses, 195.39.128.1/30 (CLIP 1) and 195.39.281.2/30 (CLIP 2).

CLIP 1 and CLIP 2 represent the virtual CLIP addresses that you configure between R1 and R2. These virtual interfaces are not associated with the physical link or hardware interface, which permits the BGP session to continue as long as a path exists between R1 and R2. An IGP (such as OSPF) routes addresses that correspond to the CLIP addresses. After the routers learn all the CLIP addresses in the AS, the system establishes iBGP and exchanges routes.

The system advertises loopback routes to other routers in the domain either as external routes using the route-redistribution process, or after you enable OSPF in passive mode to advertise an OSPF internal route.

You can also use CLIP for PIM-SM, typically, as a Rendezvous Point (RP), or as a source IP address for sending SNMP traps and Syslog messages.

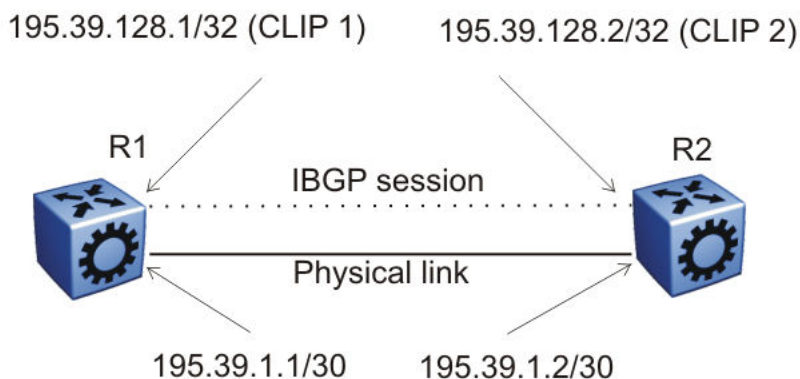


Figure 3: Routers with iBGP connections

The system treats the CLIP interface as an IP interface. The network associated with the CLIP is treated as a local network attached to the device. This route always exists and the circuit is always up because there is no physical attachment.

Static routes

A static route is a route to a destination IP address that you manually create.

The Layer 3 redundancy feature supports the creation of static routes to enhance network stability. Use the local next hop option to configure a static route with or without local next hop.

You can configure static routes with a next hop that is not directly connected, but that hop must be reachable. Otherwise, the static route is not enabled.

Layer 3 redundancy supports only address resolution protocol (ARP) and static route. Static ARP must configure the nonlocal next-hop of static routes. No other dynamic routing protocols provide nonlocal next-hop.

You can use a default static route to specify a route to all networks for which no explicit routes exist in the forwarding information base or the routing table. This route has a prefix length of zero (RFC1812). You can configure the switch with a route through the IP static routing table.

To create a default static route, you must configure the destination address and subnet mask to 0.0.0.0.

*** Note:**

It is recommended that you do not configure static routes on a DvR Leaf node unless the configuration is for reachability to a management network using a Brouter port.

Also, configuring the preference of static routes is not supported on a Leaf node.

Static route tables

A router uses the system routing table to make forwarding decisions. In the static route table, you can change static routes directly. Although the two tables are separate, the static route table manager entries are automatically reflected in the system routing table if the next-hop address in the static route is reachable, and if the static route is enabled.

The system routing table displays only active static routes with a best preference. A static route is active only if the route is enabled and the next-hop address is reachable (for example, if a valid ARP entry exists for the next hop).

You can enter multiple routes (for example, multiple default routes) that have different costs, and the routing table uses the lowest cost route that is available. However, if you enter multiple next hops for the same route with the same cost, the software does not replace the existing route. If you enter the same route with the same cost and a different next-hop, the first route is used. If the first route becomes unreachable, the second route (with a different next-hop) is activated with no connectivity loss.

*** Note:**

Static ARP entries are not supported for NLB Unicast or NLB Multicast operations.

Black hole static routes

A black hole static route is a route with an invalid next hop, and the device drops data packets destined for this network.

While the router aggregates or injects routes to other routers, the router does not have a path to the aggregated destination. In such cases, the result is a black hole and a routing loop. To avoid routing loops, configure a black hole static route to the destination the router is advertising.

You can configure a preference value for a black hole route. However, you must configure that preference value appropriately so that when you want to use the black hole route, it is elected as the best route.

Before you add a black hole static route, perform a check to ensure that no other static route to that identical destination is enabled. If such a route exists, you cannot add the black hole route and an error message appears.

If you enable a black hole route, you cannot add another static route to that destination. You must first delete or disable the black hole route before you add a regular static route to that destination.

VLANs and routing

When traffic is routed on a virtual local area network (VLAN), an IP address is assigned to the VLAN and is not associated with a particular physical port. Router ports are VLANs that route IP packets and bridge nonroutable traffic in a single-port VLAN.

Virtual routing between VLANs

The switch supports wire-speed IP routing between VLANs. As shown in the following figure, VLAN 1 and VLAN 2 are on the same device, yet for traffic to flow from VLAN 1 to VLAN 2, the traffic must be routed.

When you configure routing on a VLAN, you assign an IP address to the VLAN, which acts as a virtual router interface address for the VLAN (a virtual router interface is not associated with a particular port). You can reach the VLAN IP address through the VLAN ports, and frames are routed from the VLAN through the gateway IP address. Routed traffic is forwarded to another VLAN within the device.

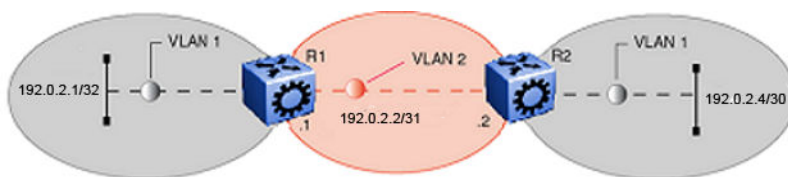


Figure 4: IP routing between VLANs

When Spanning Tree Protocol is enabled in a VLAN, the spanning tree convergence must be stable before the routing protocol begins. This requirement can lead to an additional delay in the IP traffic forwarding.

Because a port can belong to multiple VLANs (some of which are configured for routing on the device and some of which are not), a one-to-one correspondence no longer exists between the physical port and the router interface.

As with an IP address, virtual router interface addresses using Virtual Router Redundancy Protocol (VRRP) are also used for device management. For Simple Network Management Protocol (SNMP) or Telnet management, you can use virtual router interface address to access the device as long as routing is enabled on the VLAN.

Router ports

The switch also supports router ports. A router port is a single-port VLAN that routes IP packets and bridges all nonroutable traffic. The difference between a router port and a standard IP protocol-based VLAN configured to route traffic is that the routing interface of the router port is not subject to the spanning tree state of the port. A router port can be in the blocking state for

nonroutable traffic and still route IP traffic. This feature removes interruptions caused by Spanning Tree Protocol recalculations in routed traffic.

Because a brouter port is a single-port VLAN, each brouter port decreases the number of available VLANs by one and uses one VLAN ID.

The switch allows IP routing to be enabled on VLANs and brouter ports. For the maximum number of interfaces, see the Software scaling capabilities section of the *Release Notes*.

Equal Cost Multipath

With Equal Cost Multipath (ECMP), the switch can determine up to eight equal-cost paths to the same destination prefix. You can use multiple paths for load sharing of traffic. These multiple paths allow faster convergence to other active paths in case of network failure. By maximizing load sharing among equal-cost paths, you can use your links between routers more efficiently when sending IP traffic. Equal Cost Multipath is formed using routes from the same source or protocol.

ECMP is supported on both Global Routing Table (GRT) and Virtual routing and forwarding (VRF).

The ECMP feature supports and complements the following protocols and route types:

- OSPF
- Routing Information Protocol (RIP)
- BGP
- Static route
- Default route
- Virtual Routing and Forwarding (VRF)

Alternative routes

To avoid traffic interruption, you can globally enable the alternative routes feature so the router can use the next-best route, also known as an alternative route, if the best route becomes unavailable.

Routers learn routes to a destination through routing protocols. Routers maintain a routing table of the learned alternative routes sorted in order by route preference, route costs, and route sources. The first route on the list is the best route and the route that the router prefers to use.

The alternative route concept also applies between routing protocols. For example, if an OSPFv3 route becomes unavailable and an alternative RIPng route is available, the system activates the RIPng route without waiting for the update interval to expire.

Route preference

On the switch, all standard routing protocols have default preference values that determine the routing priority of the protocol. The router uses default preferences to select the best route when a clash exists in preference between the protocols.

You can modify the global preference for a protocol to give the protocol a higher or lower priority than other protocols. If you change the global preference for a static route and all best routes remain best routes, only the local route tables change. However, if the protocol preference change causes best routes to no longer be best routes, the change affects neighboring route tables.

! Important:

Changing route preferences is a process-intensive operation that can affect system performance and network reach while you perform route preference procedures. It is recommended that if you want to change preferences for static routes or routing protocols, do so when you configure routes or during a maintenance window.

If a router learns a route with the same network mask and cost values from multiple sources, the router uses the route preferences to select the best route to add to the forwarding database.

* Note:

To modify the preference for a route, you do *not* need to disable a route before you edit the configuration.

Preferences for static routes

When you configure a static route on the switch, you can specify a global preference for the route. You can also specify an individual route preference that overrides the global static route preference. The preference value can be between 0 and 255, with 0 reserved for local routes and 255 representing an unreachable route.

Preferences for dynamic routes

You can modify the preference value for dynamic routes through route filtering and IP policies, and this value overrides the global preference for the protocol.

The following table shows the default preferences for routing protocols and route types. Use this table to help you modify the global preference value.

Table 2: Routing protocol default preferences

Protocol	Default preference
Local	0
Static	5
SPBM_L1	7
OSPF intra-area	20
OSPF inter-area	25
Exterior BGP	45
RIP/RIPng	100
OSPF external type 1	120

Table continues...

Protocol	Default preference
OSPF external type 2	125
IBGP	175
Staticv6	5
OSPFv3 intra-area	20
OSPFv3 inter-area	25
OSPFv3 external type 1	120
OSPFv3 external type 2	125

Route filtering and IP policies

When the switch routes IP traffic, you can apply a number of filters to manage, accept, redistribute, and announce policies for unicast routing table information. Filters apply differently to different unicast routing protocols.

*** Note:**

IPv6 ingress QoS ACL/Filters and IPv6 Egress Security and QoS ACL/Filters are not supported. For information on the maximum number of IPv6 ingress port/vlan security ACL/filters supported on the switch, see *Release Notes*.

The following figure shows how filters apply to BGP, RIP, and OSPF protocols.

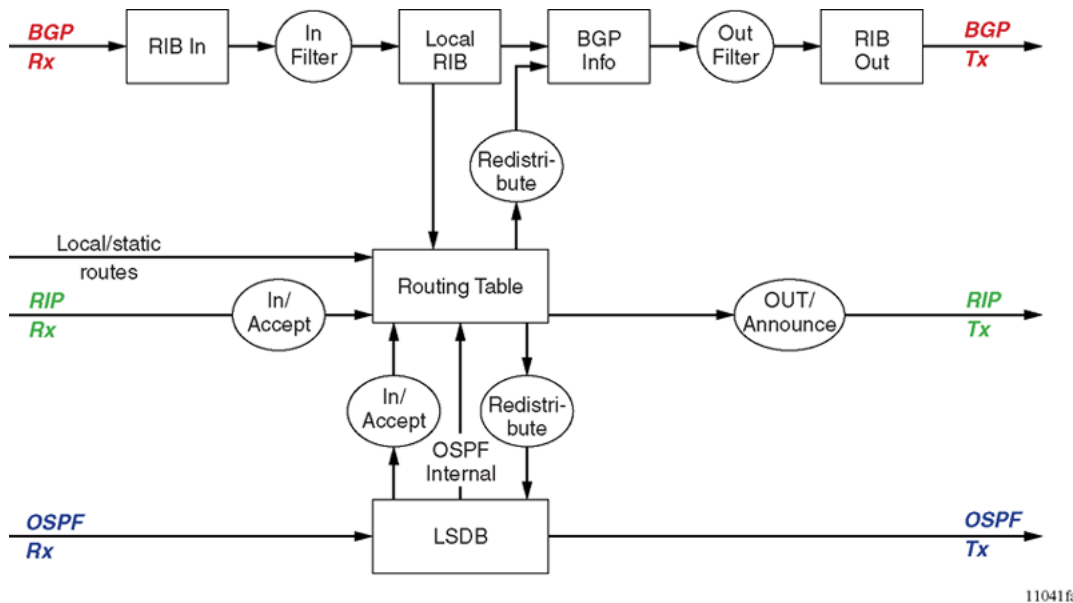


Figure 5: Route filtering for BGP, RIP, and OSPF routing protocols

The following figure shows how filters apply to the IS-IS protocol for Fabric Connect Layer 3 VSNs or IP Shortcuts.

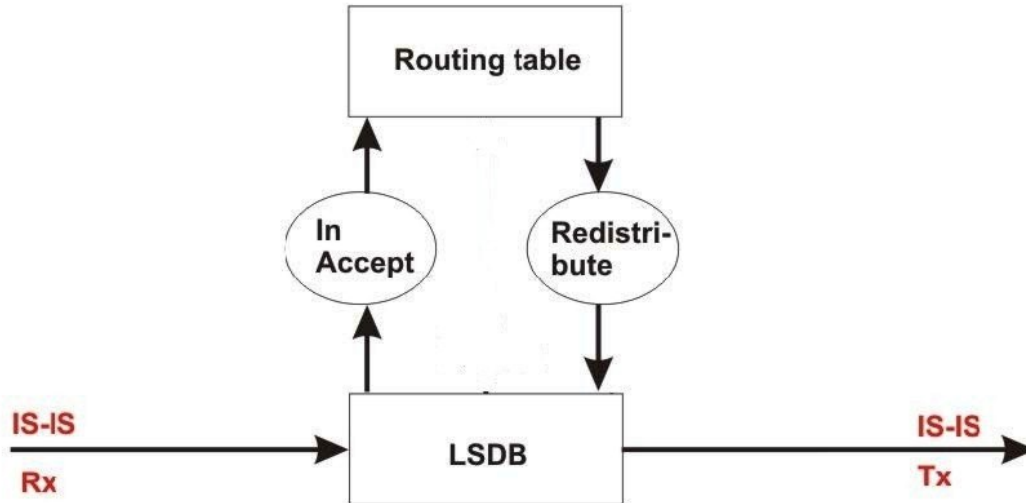


Figure 6: Route filtering for the IS-IS routing protocol

Accept policies

Accept policies are applied to incoming traffic to determine whether to add the route to the routing table. Accept policies are applied differently to protocols, as follows:

- RIP and BGP—filters apply to all incoming route information.
- OSPF—filters apply only to external route information. Internal routing information is not filtered because otherwise, other routers in the OSPF domain can have inconsistent databases that can affect the router view of the network topology.
- IS-IS —filters apply to all incoming route information.

In a network with multiple routing protocols, you can prefer specific routes from RIP instead of from OSPF. The network prefix is a commonly used match criterion for accept policies.

Redistribution filters

Redistribution filters notify changes in the route table to the routing protocol (within the device). With redistribution filters, providing you do not breach the protocol rules, you can choose not to advertise everything that is in the protocol database, or you can summarize or suppress route information. By default, no external routes are leaked to protocols that are not configured.

Announce policies

Announce policies are applied to outgoing advertisements to neighbors or peers in the protocol domain to determine whether to announce specific route information. Out filtering applies to RIP updates and BGP NLRI updates.

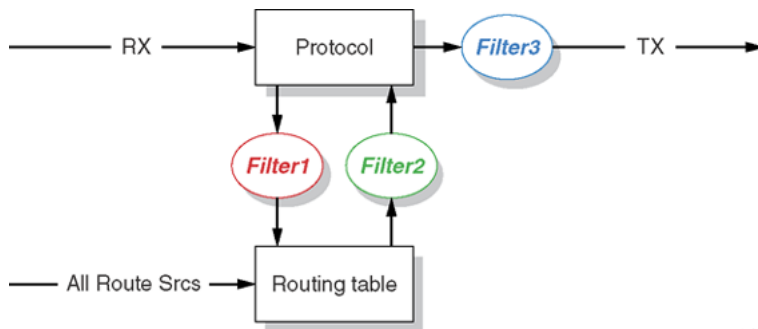
In contrast, announce policies are not applied to IS-IS or OSPF information because routing information must always be consistent across the domain. To restrict the flow of external route information in the IS-IS or OSPF protocol database, apply redistribution filters instead of announce policies.

Route filtering stages

The following figure shows the three distinct filter stages that are applied to IP traffic.

These stages are:

- Filter stage 1 is the accept policy or in filter that applies to incoming traffic to detect changes in the dynamic (protocol-learned) routing information, which are then submitted to the routing table.
- Filter stage 2 is the redistribution filter that applies to the entries in the routing table to the protocol during the leaking process.
- Filter stage 3 is the announce policy or out filter that applies to outgoing traffic within a protocol domain.



10531eb

Figure 7: Route filtering stages

The following figure shows the logical process for route filtering on the switch.

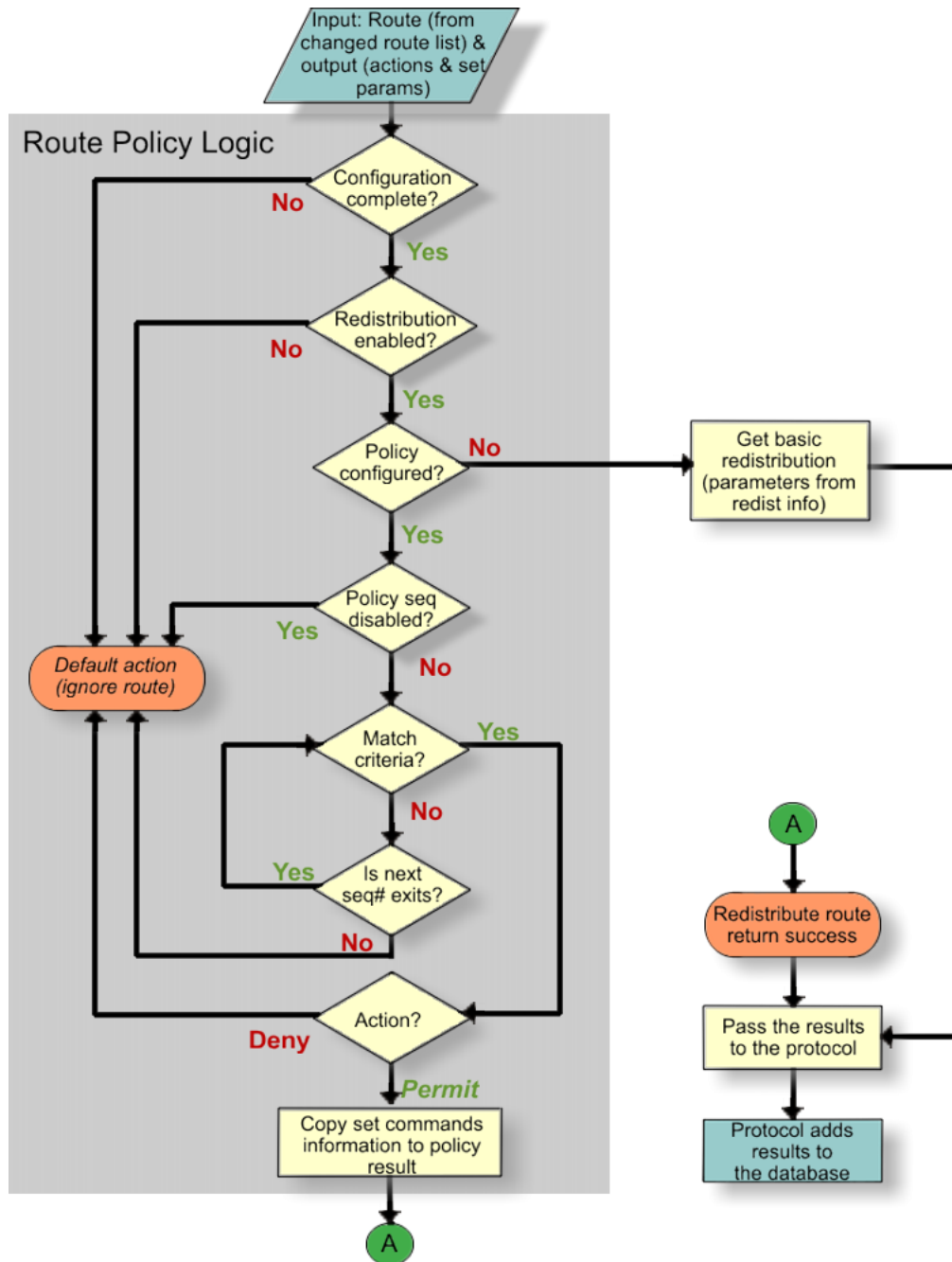


Figure 8: Route filtering logic

IP Source Routing

IP Source Routing allows the sender of a packet to specify the route that the packet must travel through the network. When the Source Route option is not enabled, the router chooses the primary

routing path to send the packets. If IP Source Routing flag is on, the source host dictates the datapath for the packet to reach the destination using the information contained in the IP header.

The routing behavior in VSP 8600 is controlled by the datapath specified, and not by status of the IP Source Route. VSP 8600 inspects the packets only if the router itself is specified in the Source Routing. Otherwise, the switch forwards the packets to another router in the network using IP Routing, whether or not IP Source Route is enabled. You can use an ACL filter to block the datapath from forwarding any IP Source Routing packets.

IP Source Routing is considered as a security risk because it allows the users to specify their own path through the network outside of the primary forwarding path. This can cause packets to bypass the security devices. Therefore, the Source Routing is disabled by default.

Prefix list

In the switch software, you can create one or more IP prefix lists and apply these lists to IP route policy.

Route policy definition

You can define an IP route policy and its attributes globally, and then apply them individually to interfaces and protocols. You can also form a unified database of route policies that the RIP or OSPF protocol can use for type of filtering purpose. A name or ID identifies a policy.

Under a policy you can have several sequence numbers. If you do not configure a field in a policy, the field appears as 0 in CLI show command output. This value indicates that the device ignores the field in the match criteria. Use the clear option to remove existing configurations for the field.

Each policy sequence number contains a set of fields. Only a subset of those fields is used when the policy is applied in a certain context. For example, if a policy has a configured set-preference field, it is used only when the policy is applied for accept purposes. This field is ignored when the policy is applied for announce or redistribute purposes.

You can only apply one policy for each purpose (RIP Announce, for example) on a given RIP interface. In this case, all sequence numbers under the policy apply to that filter. A sequence number also acts as an implicit preference; a lower sequence number is preferred.

The following tables display the accept, announce, and redistribute policies for RIP, OSPF, IS-IS and BGP. The tables also display which matching criteria apply for a certain routing policy. In these tables, 1 denotes advertise router, 2 denotes RIP gateway, and 3 denotes that external type 1 and external type 2 are the only options.

*** Note:**

The route policies treat permit and deny rules differently for inbound and outbound traffic.

- For an in-policy (RIP, BGP) or an accept policy (OSPF) using a route-map, if a particular route is not explicitly denied in the accept policy or in-policy with the route-map, then the route is implicitly allowed.
- For an out-policy (RIP, BGP) or a redistribute policy (RIP, OSPF, BGP) using a route-map, even if a particular route is not explicitly allowed in the redistribution policy or out-policy with the route-map, then the route is implicitly denied.
- In order to permit or deny only explicit routes, configure a policy with additional sequences, where, the last sequence permits all routes that are not explicitly permitted or denied.

Table 3: Protocol route policy table for RIP

	Announce				Accept
	OSPF	Direct	RIP	BGP	RIP
Match Protocol	Yes	Yes	Yes	Yes	
Match Network	Yes	Yes	Yes	Yes	Yes
Match IpRoute Source	Yes ¹		Yes ²		
Match NextHop	Yes	Yes	Yes	Yes	Yes
Match Interface			Yes		
Match Route Type	Yes				
Match Metric	Yes	Yes	Yes	Yes	Yes
MatchAs Path					
Match Community					
Match Community Exact					
MatchTag				Yes	
NssaPbit					
SetRoute Preference					Yes
SetMetric TypeInternal					
SetMetric	Yes	Yes	Yes	Yes	Yes
SetMetric Type					
SetNextHop					
SetInject NetList	Yes	Yes	Yes	Yes	Yes
SetMask					Yes
SetAsPath					
SetAsPath Mode					
Set Automatic Tag					
Set CommunityNumber					

Table continues...

	Announce				Accept
	OSPF	Direct	RIP	BGP	RIP
Set CommunityMode					
SetOrigin					
SetLocal Pref					
SetOrigin EgpAs					
SetTag					
SetWeight					

Table 4: Protocol route policy table for OSPF

	Redistribute				Accept
	Direct	Static	RIP	BGP	OSPF
Match Protocol					
Match Network	Yes	Yes	Yes	Yes	Yes
Match IpRoute Source			Yes ²		
Match NextHop		Yes	Yes	Yes	
Match Interface			Yes		
Match Route Type					Yes ³
Match Metric	Yes	Yes	Yes	Yes	Yes
MatchAs Path					
Match Community					
Match Community Exact					
MatchTag				Yes	
NssaPbit					
SetRoute Preference					Yes
SetMetric TypeInternal					
SetMetric	Yes	Yes	Yes	Yes	Yes
SetMetric Type	Yes	Yes	Yes	Yes	
SetNextHop				Yes	
SetInject NetList	Yes	Yes	Yes	Yes	Yes
SetMask					
SetAsPath					
SetAsPath Mode					
Set Automatic Tag					
Set CommunityNumber					
Set CommunityMode					

Table continues...

	Redistribute				Accept
	Direct	Static	RIP	BGP	OSPF
SetOrigin					
SetLocal Pref					
SetOrigin EgpAs					
SetTag					
SetWeight					

Table 5: Protocol route policy table for IS-IS

	Redistribute				Accept
	Direct	Static	RIP	BGP	OSPF
Match Protocol					
Match Network	Yes	Yes	Yes	Yes	Yes
Match IpRoute Source					
Match NextHop		Yes	Yes	Yes	
Match Interface			Yes		
Match Route Type					Yes ³
Match Metric	Yes	Yes	Yes	Yes	Yes
MatchAs Path					
Match Community					
Match Community Exact					
MatchTag				Yes	
NssaPbit					
SetRoute Preference					Yes
SetMetric TypeInternal					
SetMetric	Yes	Yes	Yes	Yes	Yes
SetMetric Type	Yes	Yes	Yes	Yes	
SetNextHop				Yes	
SetInject NetList					
SetMask					
SetAsPath					
SetAsPath Mode					
Set Automatic Tag					
Set CommunityNumber					
Set CommunityMode					
SetOrigin					

Table continues...

	Redistribute				Accept
	Direct	Static	RIP	BGP	OSPF
SetLocal Pref					
SetOrigin EgAs					
SetTag					
SetWeight					

Table 6: Protocol route policy table for BGP

	Redistribute			Accept	Announce
	IPv6 Direct	IPv6 Static	OSPFv3	BGP	BGP
Match as-path				Yes	Yes
Match community	Yes	Yes	Yes	Yes	Yes
Match community-exact				Yes	Yes
Match extcommunity				Yes	Yes
Match interface					
Match local-preference					
Match metric	Yes	Yes	Yes	Yes	Yes
Match network	Yes	Yes	Yes	Yes	Yes
Match next-hop		Yes	Yes	Yes	Yes
Match protocol					
Match route-source				Yes	
Match route-type			Yes		Yes
Match tag					
Match vrf					
Match vrfids					
Set as-path				Yes	Yes
Set as-path-mode				Yes	Yes
Set automatic-tag					
Set community				Yes	Yes
Set community-mode				Yes	Yes
Set injectlist	Yes	Yes	Yes		
Set ip-preference					
Set local-preference				Yes	Yes
Set mask					
Set metric	Yes	Yes	Yes	Yes	Yes
Set metric-type					

Table continues...

	Redistribute			Accept	Announce
	IPv6 Direct	IPv6 Static	OSPFv3	BGP	BGP
Set metric-type-internal					
Set next-hop				Yes	Yes
Set nssa-pbit					
Set origin					Yes
Set origin-egp-as					
Set Tag					
Set Weight				Yes	

Address Resolution Protocol

Network stations using the IP protocol need both a physical address and an IP address to transmit a packet. In situations where the station knows only the network host IP address, the network station uses Address Resolution Protocol (ARP) to determine the physical address for a network host by binding a 32-bit IP address to a 48-bit MAC address. A network station can use ARP across a single network only, and the network hardware must support physical broadcasts.

The network station uses ARP to determine the host physical address as follows:

- The network station broadcasts a special packet, called an ARP request, that asks the host at the specified IP address to respond with its physical address.
- All network hosts receive the broadcast request.
- Only the specified host responds with its hardware address.
- The network station then maps the host IP address to its physical address and saves the results in an address-resolution cache for future use.
- The network station ARP table displays the associations of the known MAC address to IP address.

You can create ARP entries, and you can delete individual ARP entries.

Enable ARP traffic

The switch accepts and processes ARP traffic, spanning tree bridge packet data units (BPDU), and Topology Discovery Protocol packets on port-based VLANs with the default port action of drop. If a filter port action is drop for a packet, ARP packets are also dropped. As a result, ARP entries on that port are cleared and are not relearned when the ARP aging timer expires.

To prevent dropped ARP packets, configure the following options:

- A user-defined protocol-based VLAN for ARP EtherType (byprotocol usrDefined 0x0806).
- Ports as static members to this VLAN with the default port action of drop.
- The port default VLAN ID to the correct port-based VLAN where the ARPs are processed.

You do not need to make configuration changes for the BPDU and Topology Discovery Protocol packets.

Only one user-defined protocol-based VLAN for ARP is allowed for each Spanning Tree Group (STG). If the ports with the default port action of drop are in different STGs, you must create additional user-defined protocol-based VLANs.

Proxy ARP

A network station uses proxy ARP to respond to an ARP request from a locally attached host or end station for a remote destination. The network station sends an ARP response back to the local host with its own MAC address of the network station interface for the subnet on which the ARP request was received. The reply is generated only if the device has an active route to the destination network.

The following figure shows an example of proxy ARP operation. In this example, host C with mask 24 appears to be locally attached to host B with mask 16, so host B sends an ARP request for host C. However, the switch is between the two hosts. To enable communication between the two hosts, the switch responds to the ARP request with the IP address of host C but with its own MAC address.

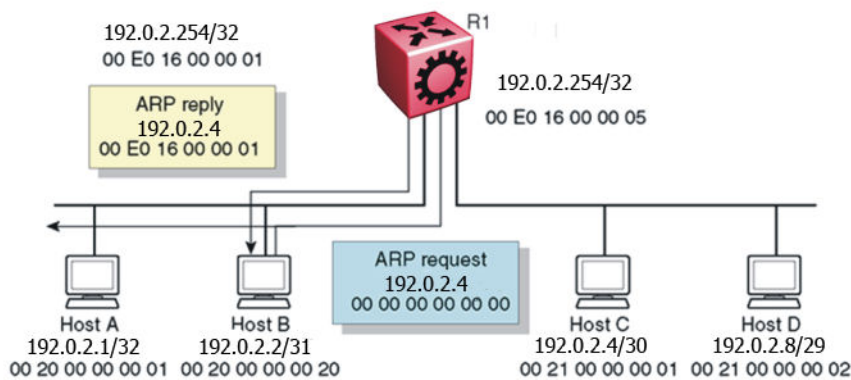


Figure 9: Proxy ARP operation

Loop detection

To prevent cases of ARP looping, configure the ARP loop detection flag to detect this situation. When a loop is detected, the port is shut down.

Flushing router tables

For administrative or troubleshooting purposes, sometimes you must flush the routing tables. Flush routing tables either by VLAN or by port. In a VLAN context, all entries associated with the VLAN are flushed. In a port context, all entries associated with the port are flushed.

Reverse Address Resolution Protocol

Certain devices use the Reverse Address Resolution Protocol (RARP) to obtain an IP address from a RARP server. MAC address information for the port is broadcast on all ports associated with an IP protocol-based or port-based VLAN. To enable a device to request an IP address from a RARP server outside its IP VLAN, you must create a RARP protocol-based VLAN.

RARP has the format of an ARP frame but its own Ethernet type (8035). You can remove RARP from the IP protocol-based VLAN definition and treat it as a separate protocol, thus creating a RARP protocol-based VLAN.

A typical network topology provides desktop switches in wiring closets with one or more trunk ports that extend to one or more data center switches where attached servers provide file, print, and other services. Use RARP functionality to define all ports in a network that require access to a RARP server as potential members of a RARP protocol-based VLAN. You must define all tagged ports and data center RARP servers as static or permanent members of the RARP VLAN. Therefore, a desktop host broadcasts an RARP request to all other members of the RARP VLAN. In normal operation, these members include only the requesting port, tagged ports, and data center RARP server ports. Because all other ports are potential members of this VLAN and RARP is only transmitted at startup, all other port VLAN memberships expire. With this feature, one or more centrally located RARP servers extend RARP services across traditional VLAN boundaries to reach desktops globally.

Multihoming

The switch uses the multihoming feature to support clients or servers that have multiple IP addresses associated with a single MAC address. Multihomed hosts can be connected to port-based and policy-based VLANs.

The IP addresses associated with a single MAC address on a host must be in the same IP subnet.

DHCP option 82

The DHCP option 82 is the DHCP Relay Agent Information option. The DHCP relay agent inserts option 82 when it forwards the client-originated DHCP packets to a DHCP server. The Relay Agent Information option is organized as a single DHCP option that contains one or more sub-options that convey information known by the relay agent. The DHCP server echoes the option back to the relay agent in server-to-client replies, and the relay agent removes the option before forwarding the reply to the client.

The DHCP option 82 is added at the DHCP relay level as shown in the following image.

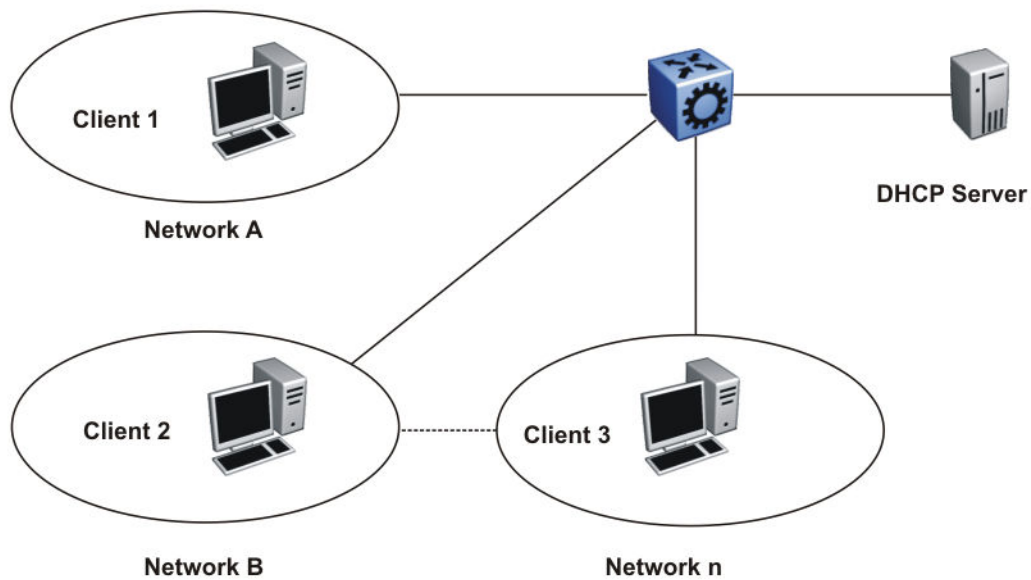


Figure 10: DHCP Client-Relay-Server Architecture

The Relay Agent Information option (code 82) is a container for specific agent-supplied suboptions; Agent Circuit ID (code 1) and Agent Remote ID (code 2). The suboptions can represent different information relevant for the relay. The fields are encoded in the following manner, where N or n is the total number of octets in the Agent Information Field (all bytes of the suboptions):

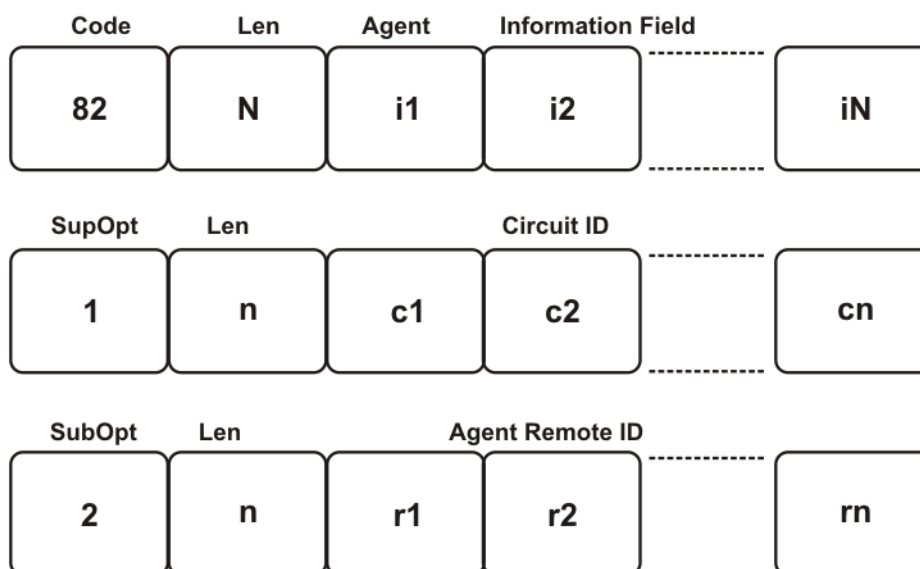


Figure 11: Format of the Relay Agent Information

Because at least one of the sub-options must be defined, the minimum Relay Agent Information length is two (2), and the length n of the suboption can be zero (0). The sub-options do not have to appear in any particular order. No pad suboption is defined and the Information field is not terminated with 255 suboption.

Suboptions

The suboptions are Agent Circuit ID and Agent Remote ID.

The DHCP relay agents can add the Agent Circuit ID to terminate switched or permanent circuits. The Agent Circuit ID encodes an agent-local identifier of the circuit from which a DHCP client-to-server packet was received. Agents can use the Circuit ID to relay DHCP responses back to the proper circuit. In the switch, the Agent Circuit ID field contains the `ifIndex` of the interface on which the packet is received.

DHCP relay agents can add the Agent Remote ID to terminate switched or permanent circuits, and can identify the remote host end of the circuit. The switch uses the Agent Remote ID field to encode the MAC address of the interface on which the packet is received. The Agent Remote ID must be globally unique.

Agent operations

A DHCP relay agent adds a Relay Agent Information field as the last option in the DHCP options field of any recognized BOOTP or DHCP packet forwarded from a client to a server. However, if the End Option 255 is present, then the DHCP relay agent adds a Relay Agent information field before the End Option 255 field.

Relay agents can receive a DHCP packet from an untrusted circuit with the gateway IP address (GIADDR) set to zero to indicate that the relay agent is the first-hop router from the gateway. If a Relay Agent Information option is present in the packet, the relay agent discards the packet and increments an error counter. A trusted circuit can contain a trusted downstream network element, for example, a bridge, between the relay agent and the client. The bridge can add a relay agent option but does not set the GIADDR field. In this case, the relay agent forwards the DHCP packet per normal DHCP relay agent operations, and sets the GIADDR field to the relay address. The relay agent does not add a second relay agent option.

You can distinguish between a trusted circuit and an untrusted circuit based on the type of circuit termination equipment you use. To make a circuit trusted, set the trusted flag under DHCP for each interface.

After packets append the Relay Agent Information option, the packets that exceed the MTU or the vendor size buffer of 64 bits, are forwarded without adding the Agent Information option, and an error counter is incremented.

The relay agent or the trusted downstream network element removes the Relay Agent Information option echoed by a server that is added when forwarding a server-to-client response back to the client.

The following list outlines the operations that the relay agent does not perform:

- The relay agent does not add an Option Overload option to the packet or use the file or sname fields to add the Relay Agent Information option. The agent does not parse or remove Relay Agent Information options that can appear in the sname or file fields of a server-to-client packet forwarded through the agent.
- The relay agent does not monitor or modify client-originated DHCP packets addressed to a server unicast address; this includes the DHCP-REQUEST sent when entering the RENEWING state.
- The relay agent does not modify DHCP packets that use the IPSEC Authentication Header or IPSEC Encapsulating Security Payload.

A DHCP relay agent can receive a client DHCP packet forwarded from a BOOTP/DHCP relay agent closer to the client. This packet has a GIADDR as non-zero, and may or may not already have a DHCP Relay Agent option in it.

Relay agents configured to add a Relay Agent option which receive a client DHCP packet with a nonzero GIADDR, discards the packet if the GIADDR spoofs a GIADDR address implemented by the local agent itself. Otherwise, the relay agent forwards any received DHCP packet with a valid non-zero GIADDR without adding any relay agent options. The GIADDR value does not change.

UDP broadcast forwarding

Some network applications, such as the NetBIOS name service, rely on a User Datagram Protocol (UDP) broadcast to request a service or locate a server for an application. If a host is on a network, subnet segment, or VLAN that does not include a server for the service, UDP broadcasts are by default not forwarded to the server located on a different network segment or VLAN. You can resolve this problem by forwarding the broadcasts to the server through physical or virtual router interfaces.

UDP broadcast forwarding is a general mechanism for selectively forwarding limited UDP broadcasts received on an IP interface out to other router IP interfaces as a rebroadcast or to a configured IP address. If the address is that of a server, the packet is sent as a unicast packet to this address. If the address is that of an interface on the router, the frame is rebroadcast.

After a UDP broadcast is received on a router interface, it must meet the following criteria to be eligible for forwarding:

- It must be a MAC-level broadcast.
- It must be an IP limited broadcast.
- It must be for the specified UDP protocol.
- It must have a time-to-live (TTL) value of at least 2.

For each ingress interface and protocol, the policy specifies how the UDP broadcast is retransmitted: to a unicast host address or to a broadcast address.

Virtual Router Redundancy Protocol

Because end stations often use a static default gateway IP address, a loss of the default gateway router causes a loss of connectivity to the remote networks.

The Virtual Router Redundancy Protocol (VRRP) (RFC 2338) eliminates the single point of failure that can occur when the single static default gateway router for an end station is lost. VRRP introduces a virtual IP address (transparent to users) shared between two or more routers that connect the common subnet to the enterprise network. With the virtual IP address as the default gateway on end hosts, VRRP provides dynamic default gateway redundancy in the event of failover.

The VRRP router that controls the IP addresses associated with a virtual router is the primary router and it forwards packets to these IP addresses. The election process provides a dynamic transition of forwarding responsibility if the primary router becomes unavailable.

Note:

The VRRP virtual IP address cannot be same as the local IP address of the port or VLAN on which VRRP is enabled.

In the following figure, the first three hosts install a default route to the R1 (virtual router 1) IP address and the other three hosts install a default route to the R2 (virtual router 2) IP address.

This configuration not only shares the load of the outgoing traffic, but it also provides full redundancy. If either router fails, the other router assumes responsibility for both addresses.

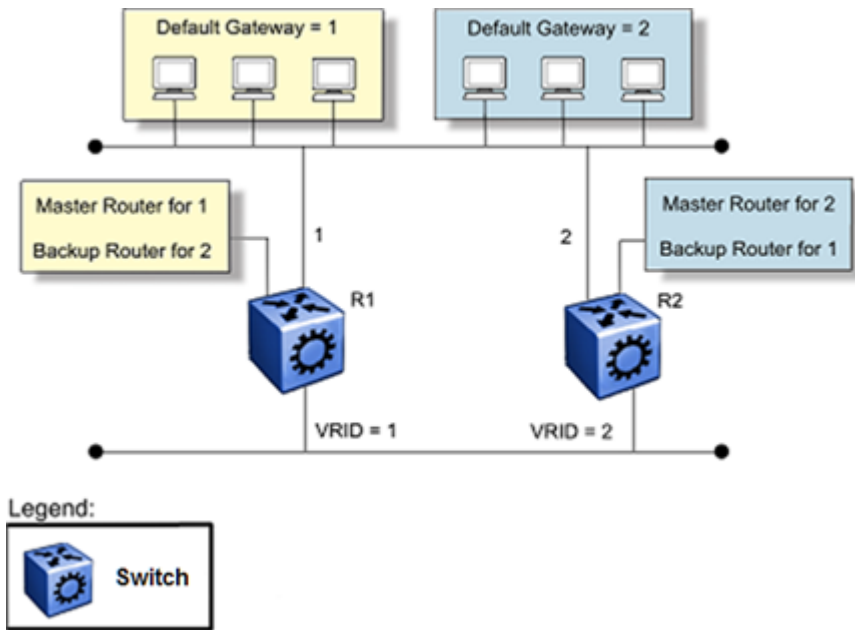


Figure 12: Virtual Router Redundancy Protocol configuration

The switch supports 253 VRRP interfaces for each VRF and 253 VRRP interfaces for each system. The following terms are specific to VRRP:

- VRRP router—a router running the VRRP protocol
- Virtual router—an abstract object acting as the default router for one or more hosts, consisting of a virtual router ID and a set of addresses
- Primary IP address—an IP address selected from the real addresses and used as the source address of packets sent from the router interface (The virtual primary router sends VRRP advertisements using this IP address as the source.)
- Virtual primary router—the router that assumes responsibility to forward packets sent to the IP address associated with the virtual router and answer ARP requests for these IP addresses
- Virtual router backup—the virtual router that becomes the primary router if the current primary router fails

When a VRRP router is initialized it sends a VRRP advertisement. The VRRP router also broadcasts a gratuitous ARP request that contains the virtual router MAC address for each IP address associated with the virtual router. The VRRP router then transitions to the controlling state.

In the controlling state, the VRRP router functions as the forwarding router for the IP addresses associated with the virtual router. The VRRP router responds to ARP requests for these IP addresses, forwards packets with a destination MAC address equal to the virtual router MAC address, and accepts only packets addressed to IP addresses associated with the virtual router, the router transitions to the backup state to ensure that all Layer 2 switches in the downstream path relearn the new origin of the VRRP MAC addresses.

In the backup state, a VRRP router monitors the availability and state of the primary router. The backup router does not respond to ARP requests and must discard packets with a MAC address equal to the virtual router MAC address. The backup router does not accept packets addressed to IP addresses associated with the virtual router. If a shutdown occurs, the backup router transitions back to the initialize state. If the primary router goes down, the backup router sends the VRRP

advertisement and ARP request described in the preceding paragraph and transitions to the controlling state.

If an advertisement timer becomes active, the router sends an advertisement. If an advertisement is received with a 0 priority, the router sends an advertisement. The router transitions to the backup state in the following situations:

- If the priority is greater than the local priority
- If the priority is the same as the local priority and the primary IP address of the sender is greater than the local primary IP address

Otherwise, the router discards the advertisement. If a shutdown occurs, the primary router sends a VRRP advertisement with a priority of 0 and transitions to the initialize state.

Critical IP address

Within a VRRP VLAN, one link can go down while the remaining links in the VLAN remain operational. Because the VRRP VLAN continues to function, a virtual router associated with that VLAN does not register a master router failure.

As a result, if the local router IP interface connecting the virtual router to the external network fails, this does not automatically trigger a master router failover.

* Note:

In this context, *local* implies an address from the same VRF as the IP interface where VRRP is being configured.

The critical IP address resolves this issue. If the critical IP address fails, it triggers a failover of the master router.

You can specify the local router IP interface uplink from the VRRP router to the network as the critical IP address. This ensures that, if the local uplink interface fails, VRRP initiates a master router failover to one of the backup routers.

In VRRP, the local network uplink interface on router 1 is shown as the critical IP address for router 1. As well, the same network uplink is shown as the critical IP address for router 2. Router 2 also requires a critical IP address for cases in which it assumes the role of the master router.

With the support of VRRP and the critical IP interface linked to VRRP, you can build reliable small core networks that provide support for converged applications, such as voice and multimedia.

VRRP and SMLT

The standard implementation of VRRP supports only one active master device for each IP subnet. All other VRRP interfaces in a network are in backup mode.

A deficiency occurs when VRRP-enabled switches use Split MultiLink Trunking (SMLT). If VRRP switches are aggregated into two Split MultiLink Trunk switches, the end host traffic is load-shared on all uplinks to the aggregation switches (based on the Multilink Trunk traffic distribution algorithm).

However, VRRP usually has only one active routing interface enabled. All other VRRP routers are in backup mode. Therefore, all traffic that reaches the backup VRRP router is forwarded over the vIST towards the master VRRP router. In this case, the vIST does not have enough bandwidth to carry all the aggregated traffic.

To resolve this issue, assign the backup router as the backup master router. The backup master router can actively load-share the routing traffic with a master router.

When the backup master router is enabled, the incoming host traffic is forwarded over the SMLT links as usual. When the backup master router is configured along with the critical IP interface and the critical IP interface goes down, the VRRP router transitions to be the backup router with the backup master state down. In this state, the VRRP router does not forward traffic.

VRRP fast hello timers

You can configure the advertisement time interval (in seconds) between sending advertisement messages. This interval permits fast network convergence with standardized VRRP failover. However, losing connections to servers for more than a second can result in missing critical failures. Customer network uptime in many cases requires faster network convergence, which means network problems must be detected within hundreds of milliseconds. Fast Advertisement Enable and Fast Advertisement Interval meet these requirements

Fast Advertisement Enable acts like a toggle device for the Advertisement Interval and the Fast Advertisement Interval. When Fast Advertisement Enable is enabled, the Fast Advertisement Interval is used instead of the Advertisement Interval.

The Fast Advertisement Interval is similar to the Advertisement Interval parameter except for the unit of measure and the range. The Fast Advertisement Interval is expressed in milliseconds and the range is from 200 to 1000 milliseconds. This unit of measure must be in multiples of 200 milliseconds, otherwise an error appears.

When you enable the fast advertisement interval, VRRP can communicate with other switch ports and networking products that have the same configuration.

VRRP guidelines

VRRP guidelines

VRRP provides another layer of resiliency to your network design by providing default gateway redundancy for end users. If a VRRP-enabled router that connects to the default gateway fails, failover to the VRRP backup router ensures no interruption for end users who attempt to route from their local subnet.

Only the VRRP Master router forwards traffic for a given subnet. The backup VRRP router does not route traffic destined for the default gateway.

To allow both VRRP switches to route traffic, the switch software has an extension to VRRP, the BackupMaster, that creates an active-active environment for routing. If you enable BackupMaster on the backup router, the backup router no longer switches traffic to the VRRP Master. Instead the BackupMaster routes all traffic received on the BackupMaster IP interface according to the switch routing table.

Figure 13: VRRP with BackupMaster

Stagger VRRP instances on a network or subnet basis. The following figure shows the VRRP Masters and BackupMasters for two subnets. For more information about how to configure VRRP using the Command Line Interface (CLI) and Enterprise Device Manager (EDM), see [VRRP configuration using the CLI](#) on page 254 and [VRRP configuration using EDM](#) on page 270.

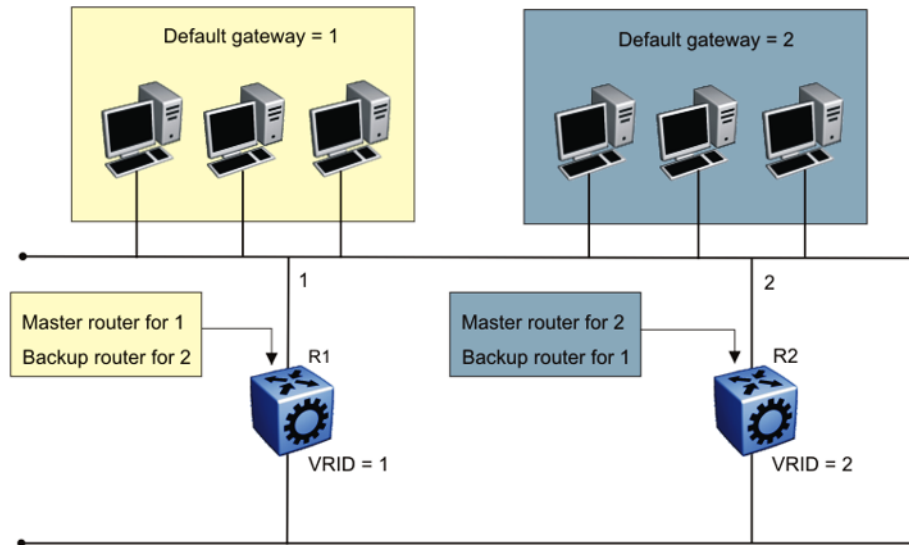


Figure 14: VRRP network configuration

The VRRP BackupMaster uses the VRRP standardized backup switch state machine. Thus, VRRP BackupMaster is compatible with standard VRRP.

Use the following best practices to implement VRRP:

- Do not configure the virtual address as a physical interface that is used on the routing switches. Instead, use a third address, for example:
 - Interface IP address of VLAN A on Switch 1 = x.x.x.2
 - Interface IP address of VLAN A on Switch 2 = x.x.x.3
 - Virtual IP address of VLAN A = x.x.x.1

*** Note:**

The switch software does not support a VRRP virtual IP address that is the same as the local physical address of the device.

- Configure the VRRP holddown timer with enough time that the Interior Gateway Protocol (IGP) routing protocol has time to update the routing table. In some cases, configuring the VRRP holddown timer to a minimum of 1.5 times the IGP convergence time is sufficient. For OSPF, it is recommended that you use a value of 90 seconds if you use the default OSPF timers.
- Implement VRRP BackupMaster for an active-active configuration (BackupMaster works across multiple switches that participate in the same VRRP domain).
- Configure VRRP priority as 200 to configure VRRP Master.
- Stagger VRRP Masters between switches in the core to balance the load between switches.
- If you implement VRRP Fast, you create additional control traffic on the network and also create a greater load on the CPU. To reduce the convergence time of VRRP, the VRRP Fast

feature allows the modification of VRRP timers to achieve subsecond failover of VRRP. Without VRRP Fast, normal convergence time is approximately 3 seconds.

- Do not use VRRP BackupMaster and critical IP at the same time. Use one or the other.

VRRP and spanning tree

The switch can use one of two spanning tree protocols: Rapid Spanning Tree Protocol (RSTP) and Multiple Spanning Tree Protocol (MSTP).

VRRP protects clients and servers from link or aggregation switch failures. Configure the network to limit the amount of time a link is out of service during VRRP convergence. The following figure shows two possible configurations of VRRP and spanning tree; configuration A is optimal and configuration B is not.

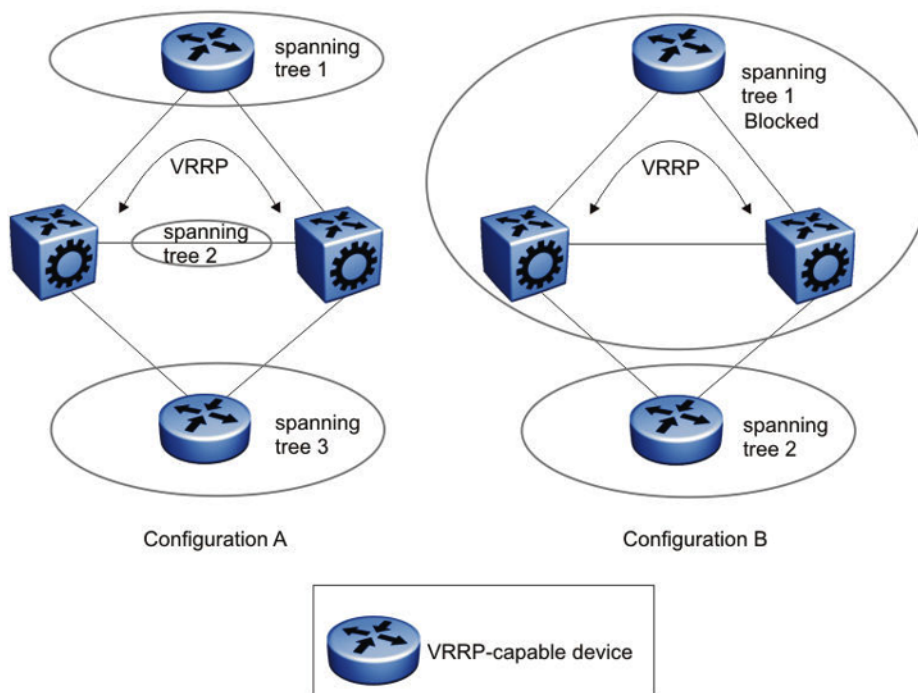


Figure 15: VRRP and STG configurations

In this figure, configuration A is optimal because VRRP convergence occurs within 2 to 3 seconds. In configuration A, three spanning tree instances exist and VRRP runs on the link between the two routers. Spanning tree instance 2 exists on the link between the two routers, which separates the link between the two routers from the spanning tree instances found on the other devices. All uplinks are active.

In configuration B, VRRP convergence takes between 30 and 45 seconds because it depends on spanning tree convergence. After initial convergence, spanning tree blocks one link (an uplink), so only one uplink is used. If an error occurs on the uplink, spanning tree reconverges, which can take up to 45 seconds. After spanning tree reconvergence, VRRP can take a few more seconds to fail over.

VRRPv3

VRRPv3 is a combined protocol for both IPv4 and IPv6. It specifies an election protocol that dynamically assigns responsibility for a virtual router to one of the VRRP routers on a LAN. The VRRP router that controls the IPv4 or IPv6 addresses associated with a virtual router is called the Master, and it forwards packets sent to these IPv4 or IPv6 addresses. VRRP Backups wait for a Master and take ownership when the Master is no longer detected.

The election protocol provides dynamic failover in the forwarding responsibility when the Master is unavailable. VRRP for IPv4 gains a higher-availability default path without configuring dynamic routing or router discovery protocols on every end-host. VRRP for IPv6 gains a quick switch-over to Backup routers compared to the standard IPv6 Neighbor Discovery mechanisms.

The software supports VRRPv3 for IPv4 and VRRPv3 for IPv6. VRRPv3 for IPv6 is compliant to RFC 5798. The software also supports VRRPv2 for IPv4.

VRRPv3 guidelines

The switch also supports VRRPv2 for IPv4. If you configure VRRP IPv6 on an interface, it runs independently of the IPv4 version. Configure the version of the VRRP IPv4 on the interface before you configure any other IPv4 VRRP attributes. By default, the version is not configured to a particular value. However, when sourcing older configuration files that do not have the version saved, the router configures the version to VRRPv2 by default. If you change the version, all IPv4 configuration under that interface is automatically removed, and you are prompted for a confirmation before this operation.

Perform the CLI configuration through `ip vrrp` or `ipv6 vrrp` nodes; CLI commands for IPv4 are common for version 2 and version 3.

The following list identifies the features that make both IPv4 and IPv6 VRRPv3 features compliant to RFC 5798:

- Advertisement vs Fast-advertisement — Prior to RFC 5798, the minimum advertisement interval was 1 second, with Fast-advertisement a sub-second interval could be configured. When this feature is enabled, the VRRP ADVERTISEMENT packets are sent with type 7 instead of 1. With RFC 5798 the sub-second interval is standardised, and the switch sends all packets for VRRPv3 with type 1. The use of Fast-advertisement remains the same. VRRPv2 packets send with type 7, if Fast-advertisement is enabled.
- Add Master-advertisement-interval — Prior to RFC 5798 compliance, all virtual routers on the same VLAN had the same Advertisement-Interval configured. RFC 5798 states that you can use different Advertisement Intervals on the Master and Backup. On the Master, the Master-advertisement-interval and the Advertisement-Interval have the same value. On the Backup, the Master-advertisement-interval is used to calculate the timers, and the locally configured Advertisement-Interval is ignored until the Backup transitions to Master. The Master-advertisement-interval value is put in the advertisement packet type sent by the Master
- Transition to master as specified in RFC 5798 — Prior to RFC 5798, if a Backup receives an advertisement with a lower priority (or same priority but lower IP), it immediately sends its own advertisement and transitions to Master. However, RFC 5798 states that such packets must be discarded, which means it will transition to Master after the Master_Down_Timer expires

- Add skew-time — RFC 5798 states that skew-time is calculated depending on the priority, and Master-advertisement-interval assures that the Backup with highest priority sends the first advertisement when the Master goes down

Skew time is calculated using the formula: $((256 - \text{priority}) * \text{Master_Adver_Interval}) / 256$.

- Add preempt-mode — Preempt-mode is different from the `ipv6 vrrp <vrid> action preempt` command, which is an operational command issued when you want to stop the hold-down timer. RFC 5798 states that preempt-mode should be set to false when you do not want a higher priority Backup to transition to Master. By default, it is set to true

*** Note:**

Accept-mode is not fully implemented for IPv4 VRRPv3. You can only ping the virtual IP address, the same way as it is for IPv4 VRRPv2.

RSMLT

In many cases, core network convergence time depends on the length of time a routing protocol requires to successfully converge. Depending on the specific routing protocol, this convergence time can cause network interruptions that range from seconds to minutes.

Routed Split MultiLink Trunking (RSMLT) permits rapid failover for core topologies by providing an active-active router concept to core SMLT networks.

RSMLT scenarios include SMLT triangles, squares, and SMLT full-mesh topologies, with routing enabled on the core VLANs.

Routing protocols include the following:

- IP Unicast Static Routes
- RIP1
- RIP2
- OSPF
- BGP

In the event of core router failures, RSMLT manages packet forwarding, thus eliminating dropped packets during the routing protocol convergence.

SMLT/RSMLT operation in Layer 3 environments

[Figure 16: SMLT and RSMLT in Layer 3 environments](#) on page 48 shows a typical redundant network example with user aggregation, core, and server access layers. To minimize the creation of many IP subnets, one VLAN (VLAN 1, IP subnet A) spans all wiring closets.

SMLT provides the loop-free topology and forwards all links for VLAN 1, IP subnet A.

The aggregation layer switches are configured with routing enabled and provide active-active default gateway functionality through RSMLT.

After you enable RSMLT on a VLAN (on both aggregation devices), the cluster devices simply inform each other (over vIST messaging) of their physical IP and MAC on that VLAN. Thereafter, the

two cluster devices take mutual ownership of their IP addresses on that VLAN. This action means each cluster device routes IP traffic that is directed to the physical MAC of the IP or the physical MAC of the peer IP on that VLAN, and when one of them is down the other cluster device:

- Replies to ARP requests for both the IP and the peer IP on that VLAN
- Replies to pings to the IP and the peer IP on that VLAN

In this case, routers R1 and R2 forward traffic for IP subnet A. RSMLT provides both router failover and link failover. For example, if the Split MultiLink Trunk link between R2 and R4 is broken, the traffic fails over to R1 as well.

For IP subnet A, VRRP with a backup master can provide the same functionality as RSMLT, as long as no additional router is connected to IP subnet A.

RSMLT provides superior router redundancy in core networks (IP subnet B), where OSPF is used for the routing protocol. Routers R1 and R2 provide router backup for each other, not only for the edge IP subnet A, but also for the core IP subnet B. Similarly routers R3 and R4 provide router redundancy for IP subnet C and also for core IP subnet B.

Router R1 failure

The following figure shows SMLT and RSMLT in Layer 3 environments.

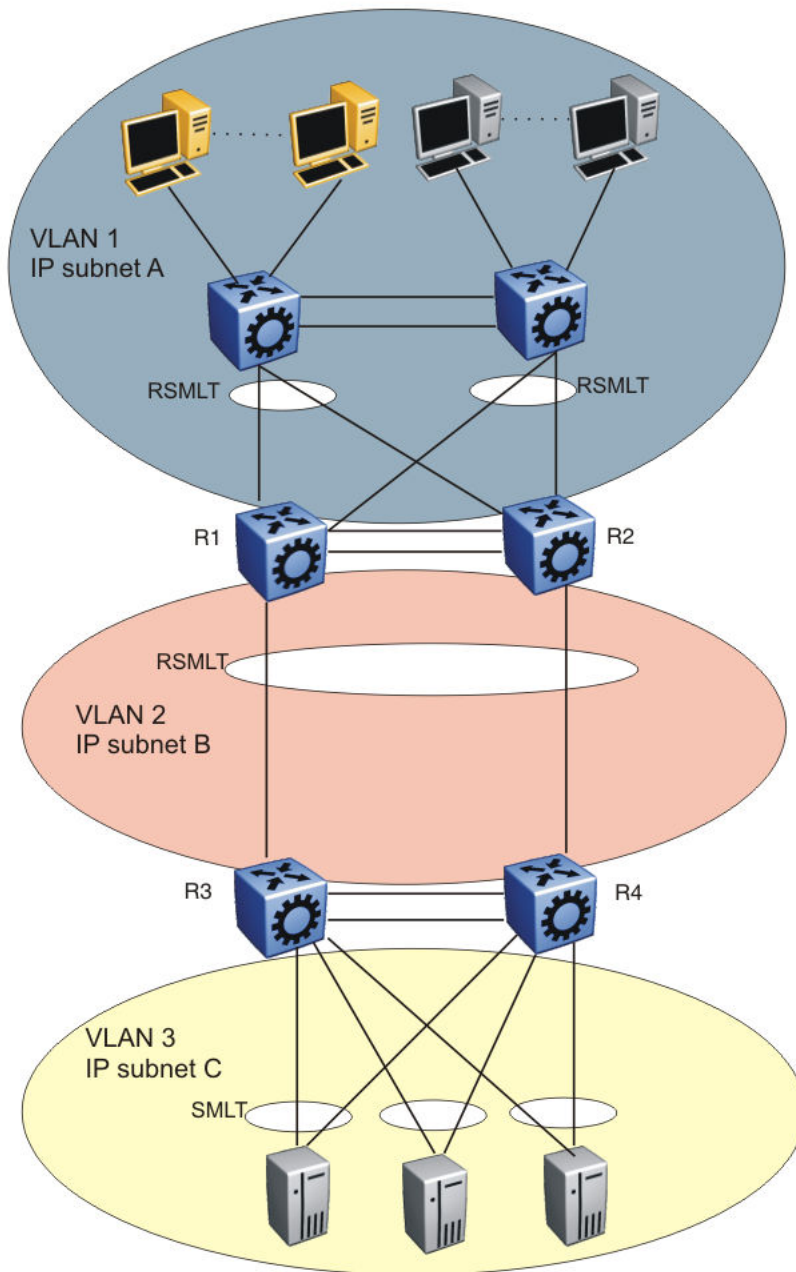


Figure 16: SMLT and RSMLT in Layer 3 environments

R3 and R4 both use R1 as their next hop to reach IP subnet A. Even though R4 sends the packets to R2, they are routed directly at R2 into subnet A. R3 sends its packets to R1 and they are also sent directly into subnet A. After R1 fails, all packets are directed to R2, with SMLT. R2 still routes for R2 and R1. After OSPF convergence, the routing tables in R3 and R4 change their next hop to R2 to reach IP subnet A. You can configure the hold-up timer (that is, for the amount of time R2 routes for R1 in a failure) for a time period greater than the routing protocol convergence, you can configure it as indefinite (that is, the members of the pair always route for each other).

Use an indefinite hold-up timer value for applications that use RSMLT at the edge instead of VRRP.

Router R1 recovery

After R1 restarts after a failure, it becomes active as a VLAN bridge first. Packets destined to R1 are switched, using the bridging forwarding table, to R2 for as long as the hold-down timer is configured. Those packets are routed at R2 for R1. Similar to VRRP, the hold-down timer value must be greater than the time the routing protocol requires to converge its tables.

After the hold-down time expires and the routing tables converge, R1 starts routing packets for itself and also for R2. Therefore, it does not matter which of the two routers is used as the next hop from R3 and R4 to reach IP subnet A.

RSMLT network design and configuration

Because RSMLT is based on SMLT, all SMLT configuration rules apply. In addition, RSMLT is enabled on the SMLT aggregation switches for each VLAN. The VLAN must be a member of SMLT links and vIST's L2VSN. For more information about how to configure SMLT in a Layer 2 environment, see *Configuring Link Aggregation, MLT, SMLT, and vIST*.

The VLAN also must be routable (IP address configured) and you must configure an Interior Gateway Protocol (IGP) such as OSPF on all four routers, although it is independent of RSMLT. All routing protocols, even static routes, work with RSMLT.

The RSMLT pair switches provide backup for each other. As long as one of the two routers of an vIST pair is active, traffic forwarding is available for both next hops R1/R2 and R3/R4.

RSMLT edge support

The switch stores the peer MAC and IP address pair in its local configuration file and restores the configuration if the peer does not restore after a simultaneous restart of both RSMLT-peer switches.

The RSMLT edge support feature adds an enhancement whereby the peer MAC (for the IP on the VLAN) is committed to the config.cfg file after you use the `save config` command. If you power off both devices, and then power up only one of them, that single device can still take ownership of its peer IP on that VLAN even if it has not seen that peer switch since it started. This enhancement is necessary if you configure the peer (the device which is still down) IP as the default gateway in end stations.

If you enable RSMLT edge support, you must also ensure that the hold-up timer for RSMLT on those edge VLANs equals infinity (9999). This timer value ensures that if one cluster device fails, the remaining cluster device maintains ownership of the failed peer IP indefinitely.

The edge VLAN can be tagged over SMLT links, single attached links, or more SMLT links.

Important:

If you clear the peer information the device can stop forwarding for the peer.

RSMLT implementation does not use a virtual IP address but instead uses physical IP addresses for redundancy. At the same time, you can deploy RSMLT in either routed configurations, or edge configurations, where you previously used VRRP (and back-up master). Previously, if a power outage occurred or a shutdown of both switches within a dual core vIST pair, only one device came back up. Clients using the powered-off device IP/MAC as the default gateway lost connectivity to the network. In such a scenario, even with RSMLT enabled on the device, it cannot act as a backup for the peer as it was unaware of the peer IP or MAC address.

After both the dual core vIST switches come back, the vIST is operational. If an RSMLT peer-enabled message is received from the peer, normal RSMLT operation occurs.

If the peer has either an IP or MAC change, you must save the configuration for the RSMLT edge support to operate correctly. However, if the vIST peer up message is not received (for example, if you do not enable RSMLT properly), and you enable the RSMLT edge support flag, the RSMLT hold-down timer starts and permits routing protocols to converge; during this time user operation can be affected. After the hold-down timer expires, saved peer information is picked up and the device starts to act as backup for the peer by adding the previously saved MAC and ARP records.

The hold-up timer starts and after this timer expires the previously added MAC and ARP records are deleted and the device stops acting as backup for the peer, as the peer is not running proper RSMLT for the VLAN. The RSMLT is a parameter for each VLAN, and therefore all affects are on an individual VLAN basis, not necessarily a global device. Edge support mode uses the local values of the hold-down timer (default value of 60 seconds) and hold-up timer (default value of 180 seconds).

Enable or disable IPv4 ICMP broadcast

On IPv4 networks, a packet can be directed to an individual machine or broadcast to an entire network. When a packet is sent to an IP broadcast address from a machine on the local network, that packet is delivered to all machines on that network.

If a packet that is broadcast is an ICMP echo request packet, the machines on the network receive this ICMP echo request packet and send an ICMP echo reply packet back. When all the machines on a network respond to this ICMP echo request, the result can be severe network congestion or outages.

The switch always responds to IPv4 ICMP packets sent to a broadcast address. You can disable the processing of these IPv4 ICMP packets sent to the broadcast address. On disabling the ICMP broadcast processing, all the packets containing ICMP sent to the broadcast addresses will be dropped when the packets reach the control plane.

You can disable or enable the IPv4 ICMP broadcast processing at the VRF level.

Distributed Virtual Routing (DvR)

Distributed Virtual Routing (DvR) is a technology for router redundancy in a fabric deployment where IP subnets are stretched across multiple switches. DvR provides Default Gateway Redundancy and optimizes traffic flows to avoid traffic tromboning due to inefficient routing, thereby increasing the total routing throughput.

DvR can be deployed in Campus environments for stretching IP subnets between multiple aggregation layer switches and also simplifies data center deployments by introducing a *Controller-Leaf* architecture. In this architecture, Layer 3 configuration is required only on the Controller nodes, whereas the Leaf nodes require only Layer 2 configuration. All Layer 3 configuration is automatically distributed to the Leaf nodes by the Controller nodes.

For typical Campus DvR deployments, configure aggregation layer switches as DvR Controllers. Wiring closet access switches are then typically dual-homed to a pair of DvR Controllers.

IP subnets, which stretch between aggregation layer switches and multiple wiring closets, enable seamless IP roaming for wireless users while at the same time ensure optimal traffic forwarding. To optimize automation, Fabric Attach is typically deployed between wiring closet and aggregation switches. In this construct, there would likely be no DvR Leaf configured.

In fabric deployments, DvR replaces VRRP (with VRRP-BackupMaster or RSMLT). The operator can choose for each I-SID/IP subnet what router redundancy method to use.

To migrate to a DvR-enabled I-SID/IP subnet, all member fabric switches of this I-SID must be either DvR Controllers or DvR Leafs. You can connect non fabric switches to DvR Leafs and DvR Controllers with manual configuration or Fabric Attach configuration. Until all fabric switches that are members of the I-SID/IP subnet are DvR-enabled, use VRRP or RSMLT as the router redundancy protocol.

DvR domain and its members

DvR domain

To enable multi-site DvR deployments, a DvR domain concept has been introduced. Within a DvR domain, a set of up to eight DvR Controllers control the DvR domain Leaf switches. A domain can also include just DvR controllers without DvR Leafs. Typically, a DvR domain is restricted to one physical location. Traffic leaving this physical location always passes through DvR Controllers.

A DvR domain is a logical group of switches or nodes that are DvR enabled. These nodes are not physically connected but are connected over the SPB Fabric such that each node is aware of the BMAC addresses of all other nodes within the domain. A DvR domain does not contain nodes that are not DvR enabled. However, those nodes can co-exist with other DvR enabled nodes within the same SPB Fabric network.

You configure a common DvR domain ID for all nodes belonging to a DvR domain. This domain ID translates internally to a Domain Data Distribution (DDD) I-SID. All switch nodes that share the same DvR domain ID or DDD ISID receive the Layer 3 information that is distributed from all other nodes belonging to that DvR domain.

A DvR domain can contain multiple Layer 3 VSNs and Layer 2 VSNs. Layer 2 and Layer 3 VSNs can span multiple DvR domains.

A DvR domain typically has the following members:

1. DvR Controller(s)
2. DvR Leaf nodes

For scaling information on the number of Controllers and Leaf nodes to configure in a DvR domain, see *Release Notes*.

DvR Controller

In a DvR domain, the Controller nodes are the central nodes on which Layer 3 is configured. They own all the Layer 3 configuration and push the configuration information to the Leaf nodes within the SPB network.

A DvR domain can have one or more controllers for redundancy and you must configure every Layer 2 VSN (VLAN) and Layer 3 VSN within the domain, on the Controller(s). A node that you configure as a DvR Controller is considered the controller for all the Layer 2 and Layer 3 VSNs configured on that node. A Controller is configured with its own subnet IP address, for every DvR enabled Layer 2 VSN within the domain.

All Layer 2 VSNs on a DvR Controller need not be DvR enabled. A controller can be configured with individual Layer 2 VSNs that are DvR disabled.

The Layer 3 configuration data that is pushed to the Leaf nodes include the Layer 3 IP subnet information for all Layer 2 VSNs within the DvR domain. It also includes the IP routes learned or redistributed by the Controllers from networks outside the SPB network, into the DvR Domain. Controllers also send information on whether Multicast is enabled on a specific DvR enabled Layer 2 VSN, and the version of IGMP. DvR Controllers inject a default route into the DvR domain for external route reachability. Use route policies to inject specific routes into a DvR domain or inject host routes into OSPF or BGP.

A Controller can only belong to one DvR domain, based on the domain ID that you configure on the node.

DvR Controllers include all DvR Leaf functions, thus a Leaf node free deployment is a valid network deployment. Especially if you use DvR in Campus deployments to replace VRRP or RSMLT, a Controller-only deployment, as Fabric Attach server nodes, is a valid deployment option.

Configuration limitations on a DvR Controller:

- On a Controller, for any VLAN, you can either configure DvR or VRRP but not both. Similarly, you can either configure DvR or RSMLT but not both.

DvR Leaf node

DvR Leaf nodes are typically data center top of the rack (TOR) Fabric switches that aggregate physical and virtual servers or storage devices. DvR Leaf nodes operate in a reduced configuration mode, where Layer 3 is not configured locally, but pushed to them from the DvR Controller(s) within the domain. You need to configure only the IS-IS infrastructure and the Layer 2 VSNs on the Leaf nodes.

A DvR Leaf node also monitors local host attachments and communicates updates about the current state of those host attachments to the DvR domain. All DvR nodes exchange host attachment information using the DvR host distribution protocol, which leverages a DvR domain I-SID.

DvR leaf nodes are managed in-band through a local loopback address, which is exchanged using the IP Shortcut protocol.

Eligibility criteria for a Leaf node: A Leaf node must:

- support the configuration of basic parameters of IP Multicast over Fabric Connect, such as the system ID, nickname, B-VLANs, SPBM instance, area, peer system ID and virtual BMAC.
- support the configuration of a physical port as either an SPB NNI interface, a FLEX-UNI interface or an FA interface.
- support the configuration of an MLT as either an SPB NNI interface, a FLEX-UNI interface or an FA interface
- support the configuration of an SMLT as a Flex-UNI Interface or an FA Interface
- support the configuration of Layer 2 VSN I-SID instances of type ELAN

- support the configuration of FLEX-UNI end-points as part of a Layer 2 VSN
- support FA Server functionality on FA enabled interfaces
- support SMLT and vIST
- support the configuration of a in-band management interface for in-band management of the node.

Configuration limitations on a DvR Leaf node:

- You cannot configure Layer 3 (for example, IP interfaces, IP routing and VRFs) on a Leaf node. You can only perform Layer 2 configuration.
- You cannot configure platform VLANs.

Summary of Controller and Leaf node functions

A DvR Controller:

- pushes Layer 3 configuration data (IPv4 Unicast and Multicast) to the Leaf nodes for all the Layer 2 VSNs or subnets within the DvR domain
- pushes the Layer 3 learned host routes (host routes learned on its own UNI ports) and route data learned through route redistribution or route policies, to the Leaf nodes.
- configures learned remote host routes from other Controllers and Leaf nodes, on its own device.

A DvR enabled Leaf node:

- configures the gateway MAC when the gateway IPv4 address is learned
- pushes the Layer 3 learned remote host routes to other Controllers and Leaf nodes in the domain
- configures learned remote host routes from other Controllers and Leaf nodes on its own device
- configures ECMP routes (in the datapath only) for the Layer 2 VSN subnets, with each next hop as the Controller in the DvR domain
- configures learned routes from the Controllers that are redistributed using DvR.
- handles host route response packet interception based on the Controller VLAN MAC or the gateway MAC

DvR backbone

The DvR backbone is automatically established among the DvR Controllers from all DvR domains. Every Controller node has an edge gateway to its DvR domain, to the DvR backbone and all other non-DvR domains within the network.

Controllers exchange host route information such that any host can be reached in a shortcut switched manner, irrespective of its location. For these host route information exchanges, controllers use an automatically assigned backbone I-SID. Local subnets to the Controllers are automatically injected into the DvR host route exchanges.

To redistribute DvR host routes into OSPF or BGP, you can configure route policies. These host routes are not injected into IS-IS.

DvR Backbone members

You can configure a non-DvR backbone edge bridge (BEB) to join the DvR backbone. This enables the node to receive redistributed DvR host routes from all DvR Controllers in the SPB network, just like a DvR Controller. However, unlike the Controller, you can neither configure a DvR interface on this node nor can the node inject its host routes into the DvR domain.

DvR operation

In a DvR domain, DvR enabled Controller(s) handle the learning and distribution of Layer 3 configuration and route data to the DvR enabled Leaf nodes. The Leaf nodes in turn, use this data to automatically create distributed Layer 3 datapaths on themselves. In this way, Layer 3 configuration and learning remains only with the Controller(s) and there are distributed Layer 3 datapaths at the edges of the fabric network. This allows for destination lookups at the edge to happen quickly, and traffic is sent directly to their destinations without multiple lookups.

An important benefit of DvR is that only minimal configuration is required on the Leaf node. Based on the Layer 2 VSN that the Leaf node is a part of, all Layer 3 configuration information (IPv4 Unicast and Multicast configuration) is pushed from the Controllers in the domain. Thus the leaf nodes, although basically Layer 2 configured switches, become fully layer 3 capable devices.

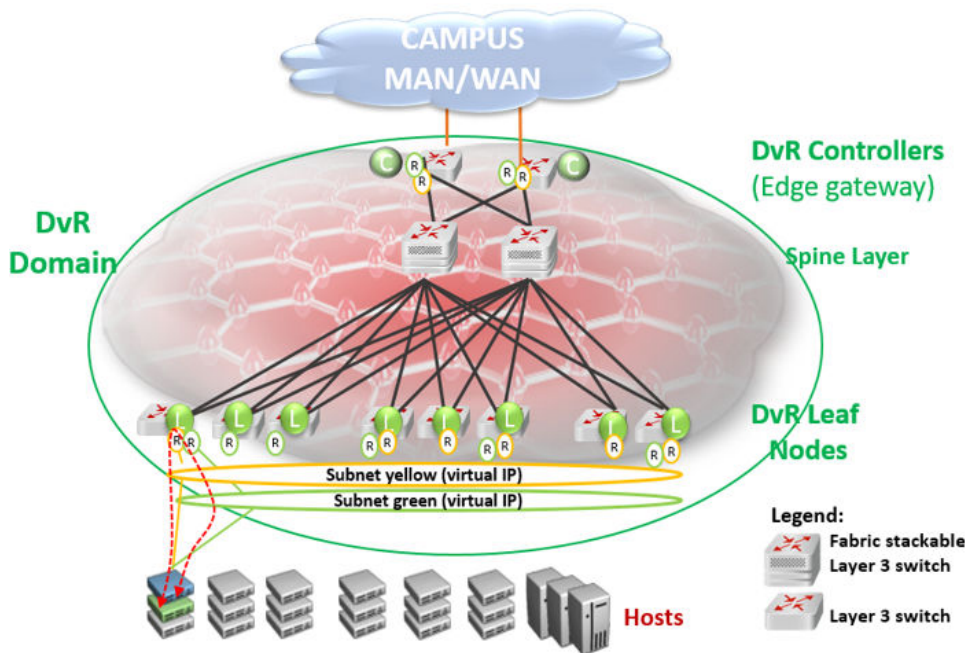


Figure 17: SPB Fabric network with central Layer 3 Controller and distributed Layer 3 datapath at the edges

ARP Learning

When DvR is enabled on a Controller, it initiates ARP requests for traffic to be routed to unknown destination hosts.

DvR enabled Controllers learn ARP requests from:

- DvR enabled Leaf nodes (here the Leaf node owns the ARPs)
- its own local UNI ports. Here, the controller owns the ARPs
- other DvR enabled Controllers

DvR enabled Leaf nodes learn ARP requests from:

- its own local UNI ports (here the Leaf node owns the ARPs)
- other DvR enabled Leaf nodes (that own the ARPs) and respond to ARP requests on their UNI ports
- DvR enabled Controllers (that own the local UNI ARPs)

Controllers only distribute ARP entries that are locally learned on its own UNI ports, to other DvR enabled nodes in the domain.

dvr-leaf-mode boot flag

To configure a node to operate as a DvR Leaf node, you must first enable the `dvr-leaf-mode` boot flag.

- The `dvr-leaf-mode` boot flag is disabled by default. You must explicitly enable this flag before you configure a switch node to operate as a Leaf node.
- After you enable or disable the boot flag, you must save the configuration and reboot with the saved configuration, for the changes to take effect.

Important:

A node on which the `dvr-leaf-mode` boot flag is enabled cannot be configured as a DvR Controller.

In-band management

Use in-band management to manage a DvR enabled Leaf node that does not have an out-of-band management port or a console port.

For in-band management of the node within the management subnet (for example, from a Controller node), you must configure a unique IPv4 address to be used as the in-band management IP address, on that node. This IPv4 address functions like a CLIP address.

DvR deployment scenarios

The following sections describe typical deployments of the DvR infrastructure.

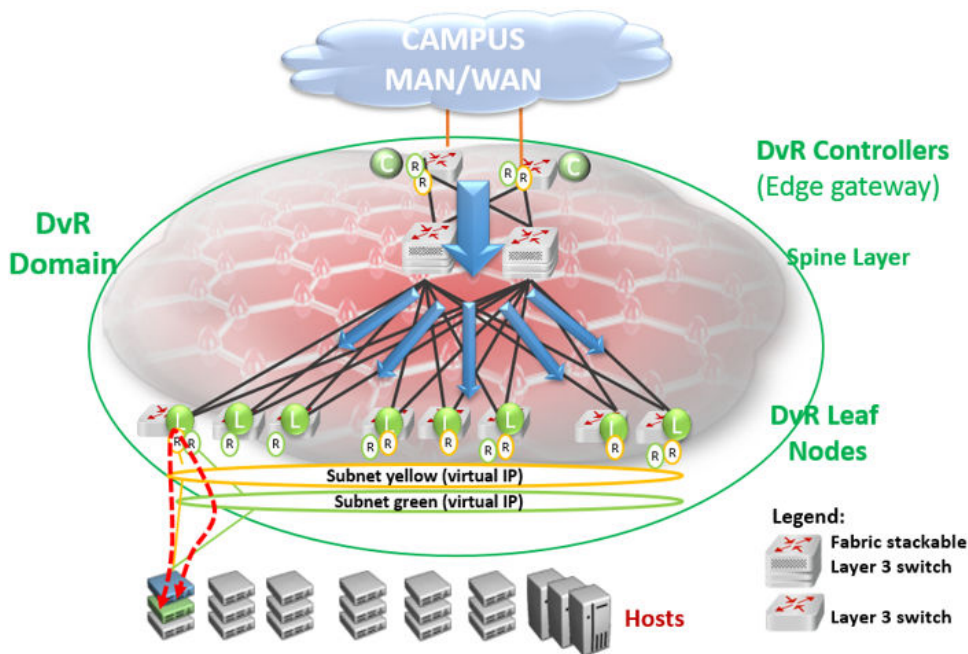
DvR deployment in a single data center

The following topology shows DvR deployment in a single data center. This deployment consists of a single DvR domain comprising a Controller layer and a Leaf node layer. The Controller layer has two controllers (for redundancy), which are deployed closer to the boundary of the DvR domain and the rest of the SPB Fabric network. The DvR Leaf nodes or Top of Rack (TOR) switches are typically access or edge switches.

All switches that belong to the DvR domain are configured with the same DvR domain ID and communicate with each other over a predefined I-SID.

The Controller nodes control the Leaf nodes and also build the gateway between the DvR domain and the rest of the Fabric infrastructure. So traffic is either routed between the Leaf nodes, or through the Controllers, to the rest of the fabric infrastructure.

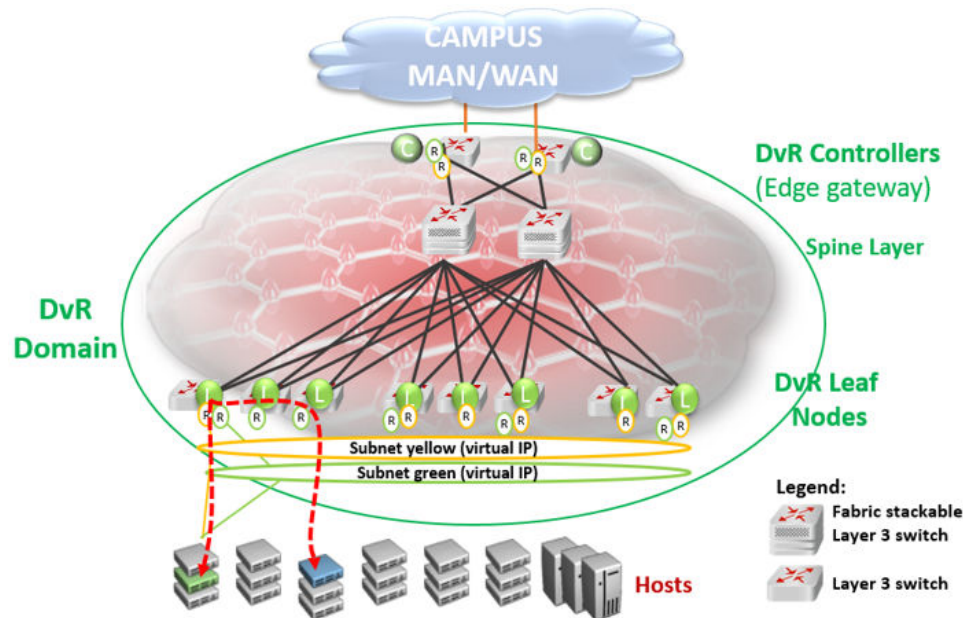
Two IP subnets (Layer 2 VSNs), yellow and green, span the Leaf nodes. Each subnet is configured with a virtual IP address that is shared among all Controller and Leaf nodes that belong to the subnet. The Controller and Leaf nodes are configured with routing interfaces to the subnets, as shown in the figure.



DvR works by enabling each Leaf node or Top of Rack (TOR) switch to bi-directionally route traffic for each IP subnet of which it is a member. This is done by distributing the Layer 3 configuration information (IP Unicast, IP Multicast and virtual IP configuration) needed to handle Layer 3 routing,

from the Controllers to the Leaf nodes. Configuration information is pushed over the DvR Domain I-SID, as indicated by the blue arrows in the above figure.

Routing between the two IP subnets is achieved directly at the Leaf nodes when the Layer 3 distributed datapath is programmed at the Leaf Nodes, based on the Layer 3 configuration data that is pushed. Thus traffic within and between IP subnets is shortcut switched without having to traverse the central routing nodes, as shown in the figure below, if there are direct physical connections between them.



Thus, in a DvR deployment, all virtual IP and Layer 3 configuration is performed on the Controller nodes and pushed to the Leaf nodes, so that the Leaf nodes though basically Layer 2 configured switches, become fully layer 3 capable devices.

DvR deployment in a dual data center

The following example deployment shows two data centers each having its own DvR domain, connected through a backbone.

All nodes in data center Campus 1 belong to DvR domain shown in green, and the nodes in the data center Campus 3 belong to the DvR domain shown in orange. The two DvR domains are individually managed, so in this scenario, the controllers colored orange manage the orange Leaf nodes and the controllers colored green manage the green Leaf nodes. However, subnets can still be stretched across the DvR domains (and possibly between buildings), as shown in the figure.

Each DvR domain learns its own Layer 3 data and distributes this information to its own Leaf nodes. Layer 3 host information that is redistributed from other DvR Domains is learned by the Controllers only (through inter-DvR domain redistribution) and is programmed on the Leaf nodes in the same domain, but not in the other Domain. For example, Layer 3 information redistributed from domain 2 is learned by all controllers including the domain 1 controllers, but this information is not distributed to the Leaf nodes in domain 1. Hosts in one DvR domain can reach the hosts in the other DvR domain only through the Controllers.

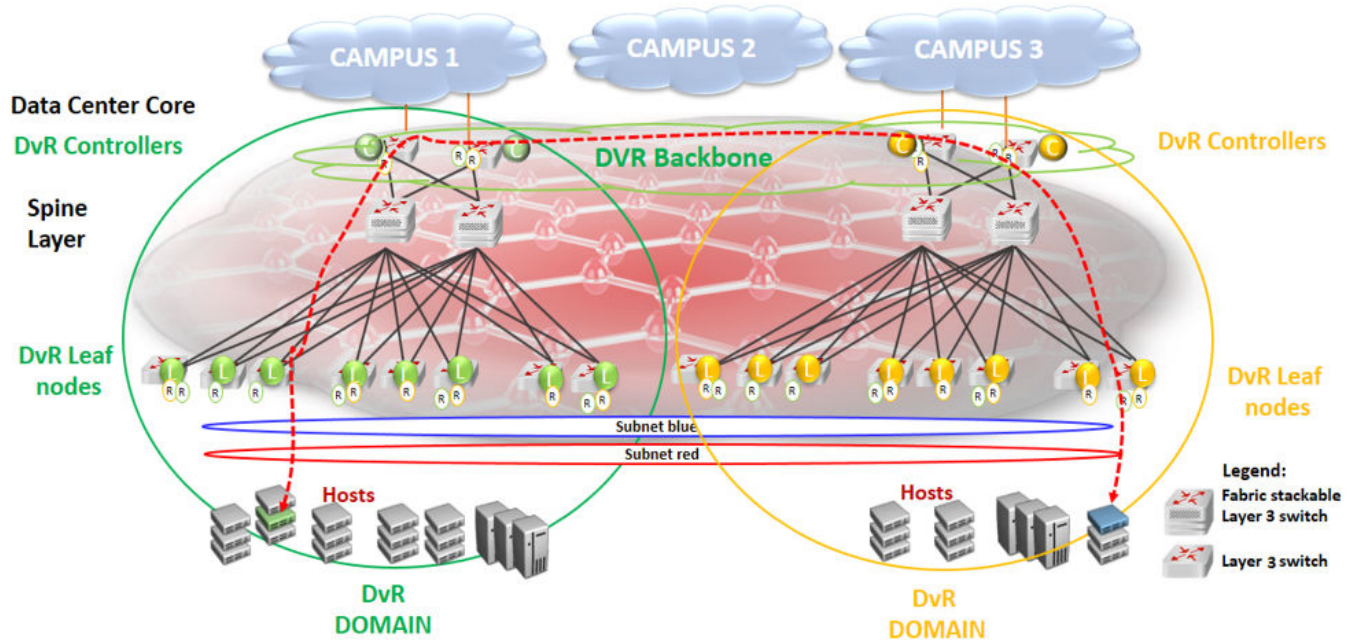


Figure 18: Shortest path routing between servers in different data centers

All controllers in all domains are always part of the DvR backbone by default, as they are connected by the SPB Fabric. The DvR backbone connects many DvR domains.

Thus DvR can scale to multiple campuses, allowing a simplified way to deploy a large scale fully-routed infrastructure.

DvR route redistribution

The following section describes redistribution of IPv4 local and static routes from DvR Controllers into the DvR domain. It also describes redistribution of host routes that are learned on DvR enabled VLANs, to BGP and OSPF. You can configure route policies to control the selection of routes to be distributed. You can also configure IS-IS accept policies on DvR Controllers and non-DvR BEBs, to determine which DvR host routes to accept into the routing-table from the DvR backbone.

Redistribution of IPv4 local and static routes

The DvR feature supports redistribution of IPv4 local and static routes into the DvR domain.

* Note:

For every VRF instance and the Global Router, the Controller automatically injects a default route to the Leaf node, with a next hop as the advertising Controller. However, if you require only local or static routes to be advertised to the Leaf nodes, you can manually disable the injection of default routes on the Controller.

On a DvR Controller, you can configure (enable or disable) the redistribution of direct or static routes. Direct routes are redistributed with the route type as *internal*. Static routes are redistributed with the route type as *external*. You can apply route policies on the Controller to selectively permit the redistribution of these routes and also configure a metric value for the route that is redistributed.

The default metric for imported local routes is 1. For static routes, the configured route metric or cost is honored.

You can configure redistribution of static and direct routes from the Global Router, or within a VRF instance. For redistributed routes, the Controller configures the Layer 3 VSN as that of the VRF redistributing the route, and the next hop BEB as the system ID of the Controller injecting the route into the DvR domain.

The following example demonstrates how a DvR Leaf node benefits from the redistribution of local and static routes.

By default, if the injection of default routes is enabled on a DvR Controller, the DvR Leaf node can only route traffic to other nodes within the DvR enabled subnet. For the Leaf node to reach networks outside of the DvR enabled subnet, the Controllers must redistribute local and static routes from non-DvR subnets into the DvR domain. In the following figure, the DvR Leaf L1 can route traffic only to nodes in the DvR enabled subnet 10.10.10.0/24. To be able to reach hosts in VLAN 20 (20.20.20.0/24) or VLAN 30 (30.30.30.0/24), redistribution of local routes into DvR is required at each of the Controllers C1 and C2. For the Leaf node to reach hosts in remote networks 40.40.40.0/24 or 50.50.50.0/24, redistribution of static routes to the DvR domain is required.

You can apply route policies to control which local or static routes are to be redistributed into the DvR domain.

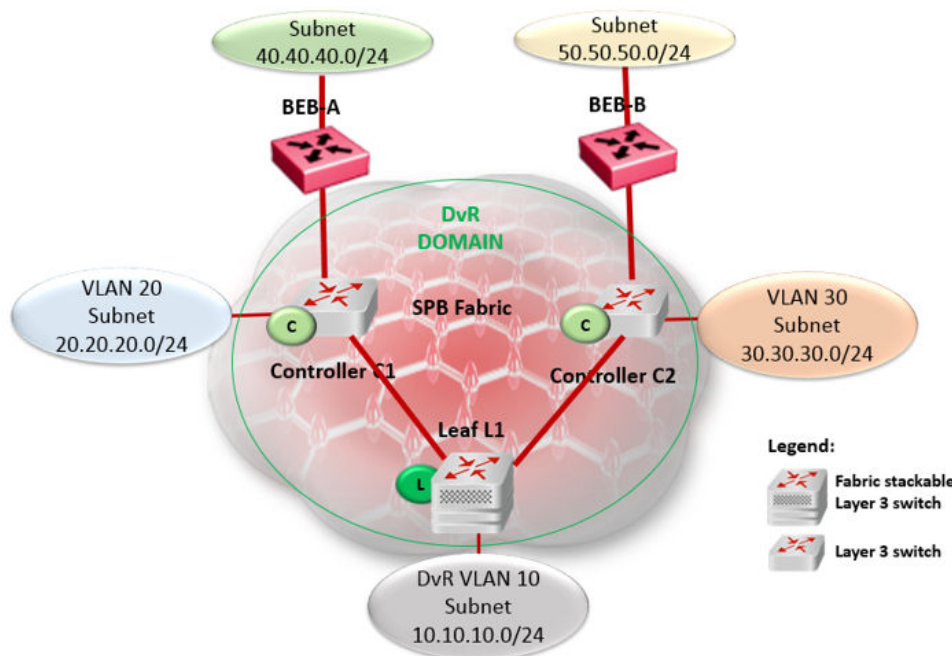


Figure 19: Redistribution of IPv4 local and static routes

Redistribution of routes to OSPF or BGP

For non-SPB routers to benefit from the host accessibility information learned within a DvR domain, DvR supports the redistribution of host routes into OSPF or BGP. Redistribution of these host routes is only by the DvR Controllers and only for the intra-domain host routes within the DvR enabled subnets.

A DvR Controller can redistribute host routes for all hosts from a DvR domain into OSPF or BGP. You can also apply route policies on the Controller to select the routes to be redistributed. The

Controller supports redistribution of routes from the Global Router or within a VRF instance. You can also configure the metric of the route before redistribution.

The following example demonstrates the benefit of redistribution of routes to BGP.

Consider a 10.1.0.0/16 network with a stretched Layer 2 VSN spanning two data centers. On the campus side of the network, BGP peering is configured between a non-Extreme router and one or more routers in the data center. BGP advertises the network route 10.1.0.0/16 to the campus BGP routers. Depending on which edge router the traffic is delivered to, it is possible that traffic from a host on the campus traverses the WAN a second time to reach the server that is physically connected to one segment of the data center, as shown in the following figure.

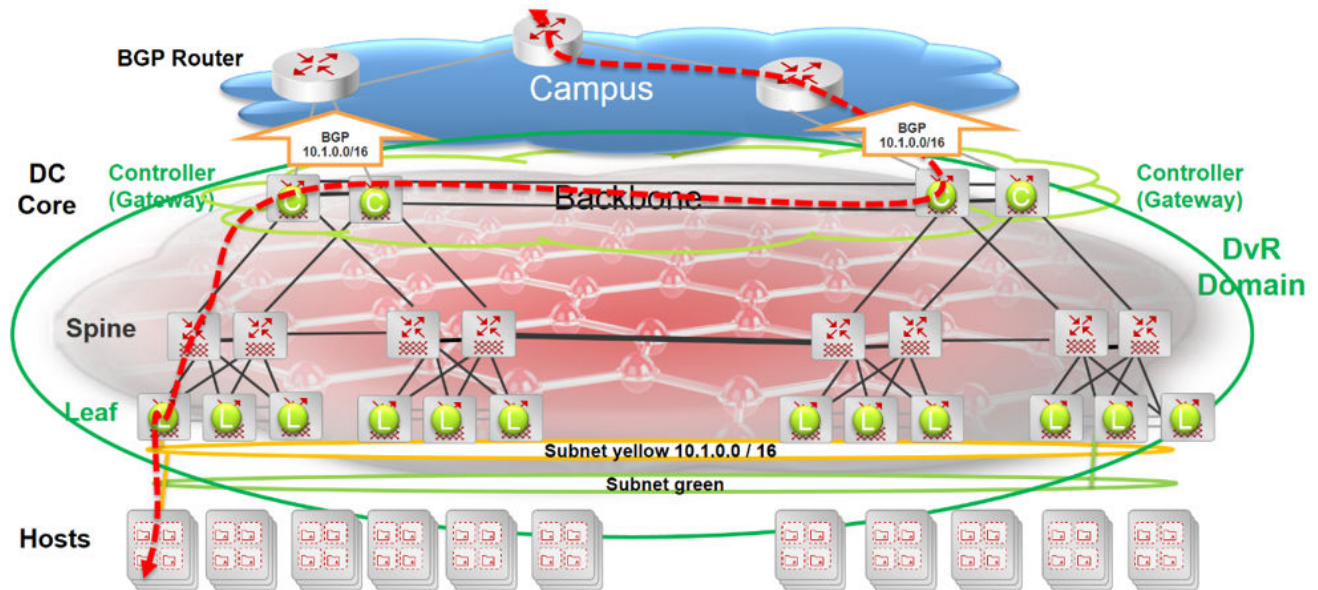


Figure 20: Inefficient traffic flow

Redistribution of the host routes from the DvR Controller to BGP solves this problem.

The following figure shows two DvR domains (shown in green and orange) configured at each data center. Each campus edge router establishes a BGP peering session with one or more Controllers in each data center (DvR domain). This enables BGP to advertise more *specific* routes to the campus BGP router so that the optimal routing path is always taken. So, there is no need for traffic to traverse the WAN multiple times. Also, in the case of server movement within or between data centers, the updated DvR host routes are propagated to BGP, thus ensuring that traffic flowing into the data center continues along the most optimal path.

For example, in the following figure, only the Controller attached to the Leaf node where the 10.1.0.111 server exists, advertises its accessibility over the 10.1.0.111/32 route. Similarly, the DvR Controller associated with the Leaf node connected to the 10.1.0.222 server advertises the 10.1.0.222/32 host route.

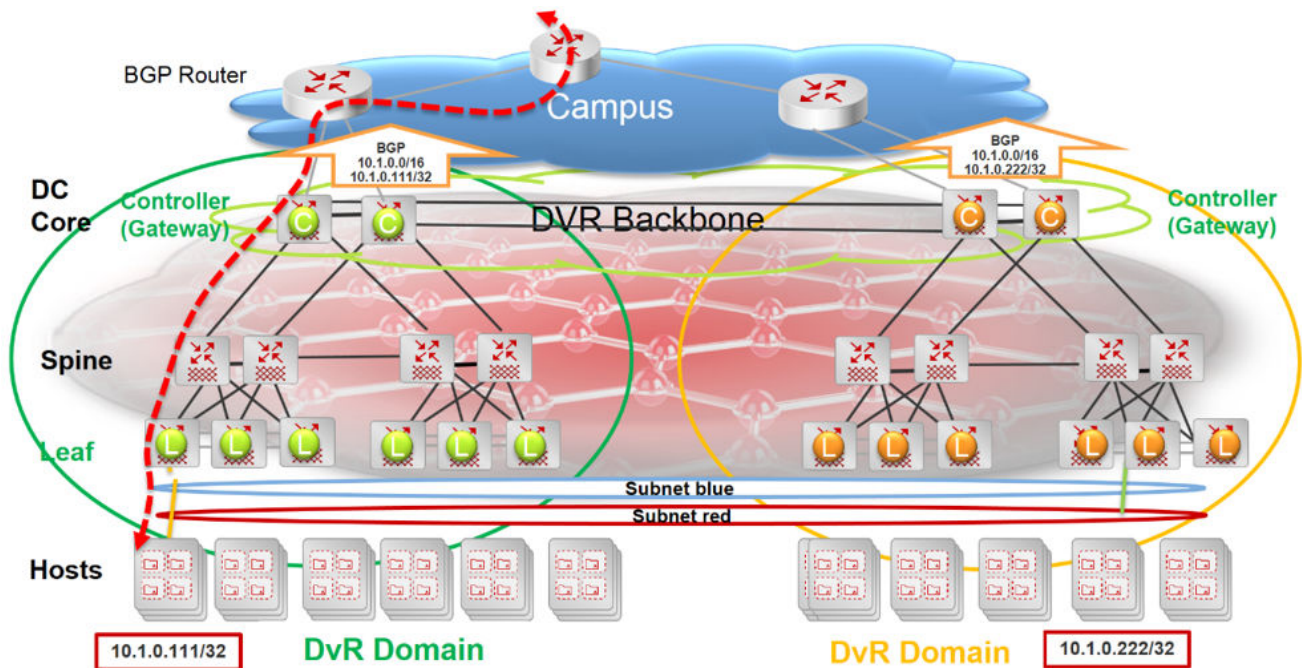


Figure 21: Traffic flow optimized with route redistribution

Controllers in each data center learn all host routes through the DvR backbone, but since those routes belong to different DvR domains, they are not all eligible for redistribution to OSPF or BGP.

Route redistribution and IS-IS accept policies

DvR route redistribution leverages IS-IS accept policies to control (accept or reject) DvR routes learned from the DvR backbone. You can configure accept policies on both Controllers and non-DvR BEBs in the SPB network.

For more information about accept policies, see *Configuring Fabric Basics and Layer 2 Services*.

DvR deployment for wireless roaming in Campus deployments

In fabric deployments where IP subnets/I-SIDs stretch between multiple buildings, you can use DvR instead of VRRP or RSMLT to avoid traffic tromboning issues. This deployment is supported with non-fabric switches that have Fabric Attach enabled, or switches that do not support Fabric Attach. You can use VSP 4000 Series as DvR Leafs in this context as well. IP subnets can stretch across one or multiple DvR domains as shown in the following figure.

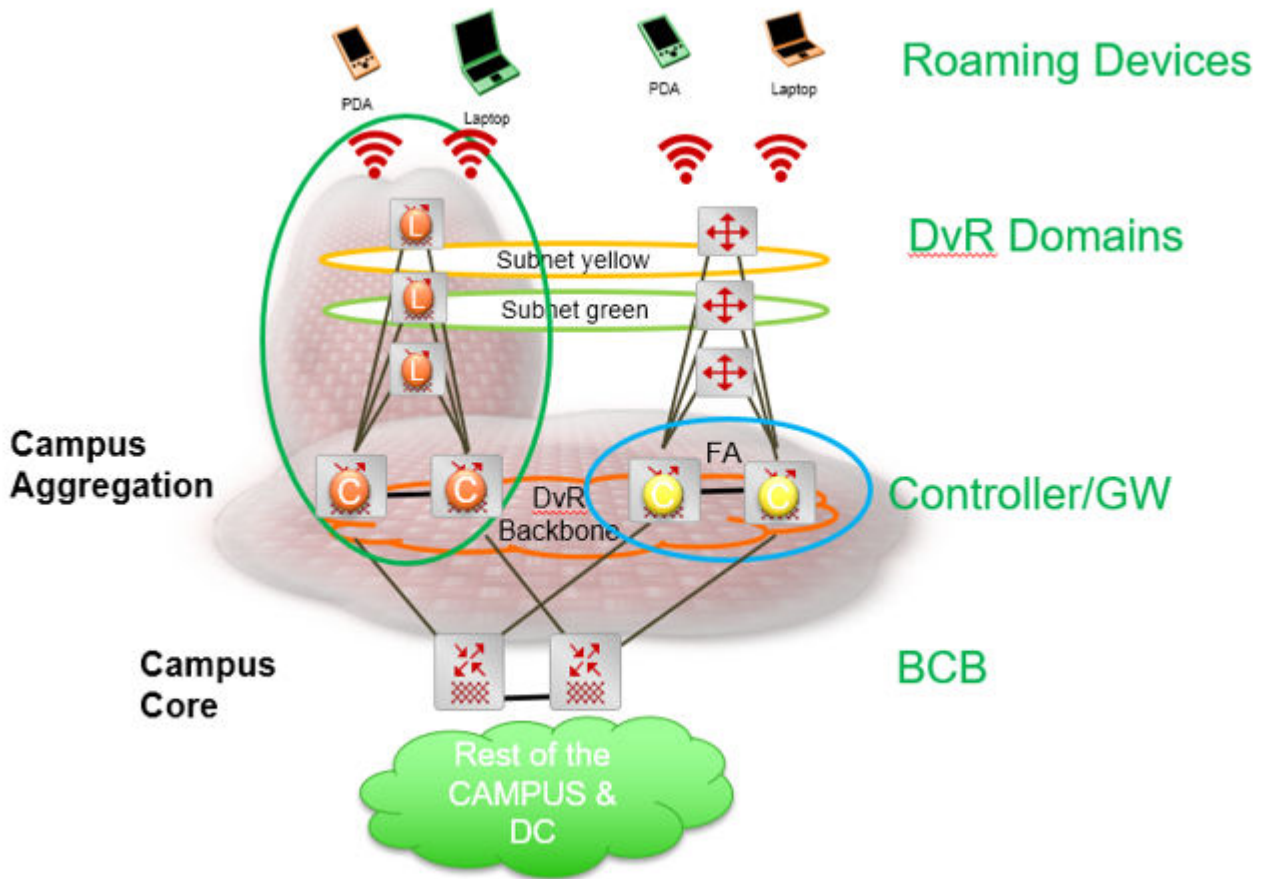


Figure 22: Wireless roaming in Campus

DvR limitations

Review the following limitations and behavioral characteristics associated with DvR.

Limitations

- The DvR feature does not affect out-of-band management on a switch chassis, if the chassis supports it.
- The DvR feature does not support a non-DvR BEB in a DvR enabled Layer 2 VSN.
- The number of host route records that can be stored in the datapath of a Leaf node is limited to the scaling capacity of the switch node. Different switch platforms have different scaling capacities.

For information on the scaling capacities of different platforms, see *Release Notes*.

- You must first disable DvR on a Controller or Leaf node, before you attempt to change the domain ID of the node.
- You cannot configure IGMP snooping on DvR enabled nodes.

- DvR is only supported for IPv4.

Configuration limitations on a DvR Controller

- Before you enable DvR on a Layer 2 VSN (VLAN), you must first configure a gateway IPv4 address, and then configure an IP interface for the VLAN. Both the VLAN IP address and the gateway IPv4 address must be in the same subnet.
- You cannot configure VRRP on a DvR VLAN.
- You cannot configure RSMLT on a DvR VLAN.
- You cannot configure SPB-PIM Gateway (SPB-PIM GW) on a DvR VLAN.

Configuration limitations on a DvR Leaf node

- Enabling the `DvR-leaf-mode` boot flag before you configure a node as a DvR Leaf, automatically removes all existing non-DvR configuration on the node such as platform VLANs and their IP address configuration, CLIP configuration, routing protocol configuration and VRF configuration. The gateway IPv4 address, if configured, is also removed.
- You cannot configure SPB-PIM GW on a Leaf node. The configuration is supported only on a DvR Controller.
- You cannot configure Microsoft NLB on a Leaf node.
- You cannot configure Fabric Extend on a Leaf node.
- You cannot configure the VXLAN Gateway on a Leaf node.
- You cannot configure a T-UNI on a Leaf node.
- You cannot configure IPv4 multicast on a Leaf node. The configuration is supported only on a DvR Controller.
- You can configure only one instance of vIST on a Leaf node pair. Also, you cannot configure vIST on Leaf nodes from different domains.
- You cannot configure platform VLANs on a Leaf node. Only configuration of SPBM B-VLANs is supported.
- You cannot configure IP Shortcuts and IP Multicast over Fabric Connect on Leaf nodes. This configuration is pushed from the DvR Controllers in the domain.
- You must manually configure an I-SID on a Layer 2 VSN, on the Leaf node. This configuration is not pushed from a DvR Controller.

Chapter 4: DvR configuration using the CLI

The following sections describe configuration of Distributed Virtual Routing (DvR) using the Command Line Interface (CLI).

DvR Controller configuration

Configuring a DvR Controller

About this task

Configuring a node as a DvR Controller enables DvR globally on that node.

Perform this procedure to create a DvR domain with the domain ID that you specify, and configure the role of the node as the Controller of that domain. A Controller can belong to only one DvR domain.

Note:

For a node to perform the role of both a Controller and a Leaf within a DvR domain, you must configure it as a Controller.

Before you begin

- Ensure that you configure IP Shortcuts on the node. This is necessary for proper functioning of the node as a DvR Controller.
- Ensure that the `dvr-leaf-mode` boot flag is disabled on the node.

To verify the setting, enter `show boot config flags` in Privileged EXEC mode.

Procedure

1. Enter Global Configuration mode:

```
enable
configure terminal
```
2. Configure a DvR Controller.

```
dvr controller <1-255>
```
3. **(Optional)** Disable DvR on a DvR Controller.


```
no dvr controller
```

 **Caution:**

Disabling DvR on a DvR Controller destroys the domain ID and all dynamic content learned within the DvR domain.

However the switch retains the VLAN specific configuration and you can view the information using the command **show running-config**.

4. View a summary of the Controller configuration. Enter:

```
show dvr
```

Example

Configure a node as a DvR Controller:

```
Switch:1>enable
Switch:1#configure terminal
Enter configuration commands, one per line.  End with CNTL/Z.
Switch:1(config)#dvr controller 5
Switch:1(config)#show dvr

=====
                        DVR Summary Info
=====
Domain ID                : 5
Domain ISID              : 16678219
Backbone ISID           : 16678216
Role                    : Controller
My SYS ID               : 00:bb:00:00:81:21
Operational State       : Up
GW MAC                  : 00:00:5e:00:01:25
InjectDefaultRouteDisable(GRT) : Disabled
```

Variable definitions

Use the data in the following table to use the **dvr controller** command.

Variable	Value
<1-255>	Specifies the domain ID of the DvR domain that the controller belongs.

Disabling injection of default routes on a Controller

About this task

By default, a DvR Controller injects default routes into the DvR domain and all the Leaf nodes in that domain learn these routes with the next hop as the Controller that advertised them.

You can however disable default route injection for the GRT or a specific VRF on a Controller, to override this behavior.

Procedure

1. Enter either Global Configuration mode or VRF Router Configuration mode for a specific VRF context:

```
enable
configure terminal
router vrf WORD<1-16>
```

2. Disable default route injection for the GRT or a specific VRF, on the Controller.

On the GRT:

```
dvr controller inject-default-route-disable
```

The `default` or the `no` operator enables injection of default routes for the GRT into the domain.

On a VRF instance:

```
dvr inject-default-route-disable
```

The `default` or the `no` operator enables injection of default routes for a specific VRF into the domain.

3. Verify the configuration.

On the GRT:

```
show dvr
```

On a VRF instance:

```
show dvr l3vsn
```

Example

Example 1:

Disable injection of default routes for the GRT on a Controller.

```
Switch:1>enable
Switch:1#configure terminal
Enter configuration commands, one per line. End with CNTL/Z.
Switch:1(config)#dvr controller inject-default-route-disable
Switch:1(config)#show dvr
```

```
=====
                        DVR Summary Info
=====
Domain ID                : 5
Domain ISID              : 16678219
Backbone ISID           : 16678216
Role                    : Controller
My SYS ID               : 00:bb:00:00:81:21
Operational State      : Up
GW MAC                  : 00:00:5e:00:01:25
InjectDefaultRouteDisable(GRT) : Enabled
```

Example 2:

Disable injection of default routes for a specific VRF on a Controller.

```
Switch:1>enable
Switch:1#configure terminal
Enter configuration commands, one per line. End with CNTL/Z.
Switch:1(config)#router vrf vrf3
Switch:1(router-vrf)#dvr inject-default-route-disable
```

```
Switch:1(router-vrf)#show dvr l3vsn
```

```
=====
                                DVR L3VSN
=====
VRF ID          L3VSN ISID      VRF NAME        INJECT-DEFAULT-ROUTE-DISABLE
-----
1                50              green           Disabled
7                1000003         vrf3            Enabled
2 out of 2 Total Num of DVR L3VSN displayed
=====
```

Configuring DvR route redistribution

About this task

Configure redistribution of direct or static routes into the DvR domain, on the Global Router or for a specific VRF instance.

Procedure

1. Enter either Global Configuration mode or VRF Router Configuration mode for a specific VRF context:

```
enable
configure terminal
router vrf WORD<1-16>
```

2. Configure route redistribution of direct or static routes.

Route redistribution of direct routes:

- a. Configure route redistribution of direct routes on a VRF. The route type is *internal*.

```
dvr redistribute direct [metric <0-65535>] |[route-map
WORD<1-64>]
```

- b. Enable route redistribution.

```
dvr redistribute direct enable
```

- c. Apply the configuration:

```
dvr apply redistribute direct
```

- d. **(Optional)** Disable route redistribution of direct routes.

```
no dvr redistribute direct
```

Route redistribution of static routes:

- a. Configure route redistribution of static routes on a VRF. The route type is *external*.

```
dvr redistribute static [metric <0-65535>] |[route-map
WORD<1-64>]
```

- b. Enable route redistribution.

```
dvr redistribute static enable
```

- c. Apply the configuration.

```
dvr apply redistribute static
```

- d. **(Optional)** Disable route redistribution of static routes.

```
no dvr redistribute static
```

- 3. Verify the route redistribution configuration. You can also verify it on a specific VRF instance.

```
show dvr redistribute [vrf WORD<1-16>]
```

Example

Configure route redistribution of direct and static routes on the Global Router. Ensure that you apply the configuration.

```
Switch:1>enable
Switch:1#configure terminal
Enter configuration commands, one per line. End with CNTL/Z.

Switch:1(config)#dvr redistribute static
Switch:1(config)#dvr redistribute static metric 200
Switch:1(config)#dvr redistribute static enable
Switch:1(config)#dvr apply redistribute static
```

```
Switch:1(config)#dvr redistribute direct
Switch:1(config)#dvr redistribute direct metric 100
Switch:1(config)#dvr redistribute direct enable
Switch:1(config)#dvr apply redistribute direct
```

Verify configuration on the Global Router:

```
Switch:1(config)#show dvr redistribute
=====
DVR Redistribute List - GlobalRouter
=====
SOURCE MET MTYPE      ENABLE RPOLICY
-----
STAT   200 External  TRUE  -
LOC    100 Internal  TRUE  -
```

Configure redistribution of direct and static routes on the specific VRF instance `vrf1`. Ensure that you apply the configuration.

```
Switch:1>enable
Switch:1#configure terminal
Enter configuration commands, one per line. End with CNTL/Z.

Switch:1(config)#router vrf vrf1
Switch:1(router-vrf)#dvr redistribute static
Switch:1(router-vrf)#dvr redistribute static metric 20000
```

```
Switch:1(router-vrf)#dvr redistribute static enable
Switch:1(router-vrf)#exit
Switch:1(config)#dvr apply redistribute static

Switch:1(router-vrf)#dvr redistribute direct
Switch:1(router-vrf)#dvr redistribute direct metric 10000
Switch:1(router-vrf)#dvr redistribute direct enable
Switch:1(router-vrf)#exit
Switch:1(config)#dvr apply redistribute static
```

Verify configuration on vrf1:

```
Switch:1(router-vrf)#show dvr redistribute vrf vrf1
```

```
=====
                        DVR Redistribute List - VRF vrf1
=====
SOURCE MET MTYPE      ENABLE RPOLICY
-----
STAT   20000 External  TRUE  -
LOC    10000 Internal  TRUE  -
```

Variable definitions

Use the data in the following table to use the `dvr redistribute direct` or the `dvr redistribute static` commands.

Variable	Value
<i>enable</i>	Enables DvR route redistribution on the VRF instance. Route redistribution is enabled by default.
<i>metric <0-65535></i>	Specifies the DvR route redistribution metric.
<i>route-map WORD<1-64></i>	Specifies the route policy for DvR route redistribution.

Use the data in the following table to use the `show dvr redistribute` command.

Variable	Value
<i>vrf WORD<1-16></i>	Specifies the VRF name.

Clearing DvR host entries

About this task

Clear DvR host entries (IPv4 remote host routes) on a Controller. The host entries are learned on the switch, either locally on its UNI port or dynamically from other nodes in the DvR domain.

Note:

You can clear DvR host entries only on a DvR Controller.

An error message displays if you attempt clearing of host entries on a DvR Leaf node.

Before you begin

Ensure that you enable DvR globally on the node.

Procedure

1. Enter Global Configuration mode:

```
enable
configure terminal
```

2. Clear the DvR host entries.

```
clear dvr host-entries [ipv4 {A.B.C.D}] | [l2isid <0-16777215>] |
[l3isid <0-16777215>]
```

Example

In this example, you clear host entries for IP address 50.0.1.0 to clear host entries for IP addresses 50.0.1.2 and 50.0.1.3.

```
Switch:1>enable
Switch:1#configure terminal
Enter configuration commands, one per line. End with CNTL/Z.
Switch:1(config)#clear dvr host-entries 50.0.1.0
```

Variable definitions

Use the data in the following table to use the `clear dvr host-entries` command.

Variable	Value
<i>ipv4</i>	Specifies the IP address (IPv4) of the DvR host entries to clear.
<i>l2isid</i>	Specifies the Layer 2 VSN I-SID of the DvR host entries to clear The range is 1 to 16777215.
<i>l3isid</i>	Specifies the Layer 3 VSN I-SID of the DvR host entries to clear. The range is 0 to 16777215.

DvR Leaf configuration

Configuring a DvR Leaf

About this task

Perform this procedure to create a DvR domain with the domain ID that you specify, and configure the role of the node as a Leaf node. Configuring a node as a DvR Leaf automatically enables DvR globally on the node.

A Leaf node can belong to only one DvR domain.

*** Note:**

For a node to perform the role of both a Controller and a Leaf within the domain, you must configure it as a Controller.

*** Note:**

You must enable the VRF-scaling boot configuration flag on a DvR Leaf node, if more than 24 VRFs are required in the DvR domain.

For additional scaling information, see *Release Notes*.

Before you begin

- You must enable the `dvr-leaf-mode` boot flag before you configure a node as a DvR Leaf node.

To verify the setting, enter `show boot config flags` in Privileged EXEC mode.

⚠ Caution:

Ensure that you save the current configuration on the switch, before you enable the flag.

Enabling the flag removes all existing non-DvR configuration on the switch, such as platform VLANs and their IP address configuration, CLIP configuration, routing protocol configuration and VRF configuration. The gateway IPv4 address, if configured, is also removed.

Procedure

- Enter Global Configuration mode:

```
enable
configure terminal
```

- Configure a node as a DvR Leaf.

```
dvr leaf <1-255>
```

- (Optional)** Disable DvR on a DvR Leaf.

```
no dvr Leaf
```

⚠ Caution:

Disabling DvR on a Leaf node removes its membership with the DvR domain and all the dynamic content learned from the Controllers of that domain.

- View a summary of the Leaf configuration.

```
show dvr
```

Example

Configure a node as a DvR Leaf:

```
Switch2:1>enable
Switch2:1#configure terminal
Enter configuration commands, one per line. End with CNTL/Z.
```

DvR configuration using the CLI

```
Switch2:1(config)#boot config flags dvr-leaf-mode
Switch2:1(config)#save config
Switch2:1(config)#reset
```

```
Switch2:1(config)#dvr Leaf 5
Switch2:1(config)#show dvr
```

```
=====
                        DVR Summary Info
=====
Domain ID                : 5
Domain ISID              : 16678219
Role                     : Leaf
My SYS ID                : 00:00:72:54:44:00
Operational State       : Up
GW MAC                   : 00:00:5e:00:01:25
Inband Mgmt IP          :
Virtual Ist local address :
Virtual Ist local subnet mask :
Virtual Ist peer address :
Virtual Ist cluster-id   :
Virtual Ist ISID        :
```

Variable definitions

Use the data in the following table to use the `dvr leaf` command.

Variable	Value
<1-255>	Specifies the domain ID of the DvR domain to which the Leaf node belongs.

Configuring vIST on a DvR Leaf node pair

Before you begin

Ensure that the nodes are configured as DvR Leaf nodes, before you configure vIST.

About this task

When you configure vIST on a DvR Leaf node pair, the switch generates an I-SID from the configured cluster ID. This I-SID is unique across the SPB network as long as the cluster ID is unique across the SPB network, for the vIST pair. You can configure only one instance of vIST on the Leaf node pair.

To configure vIST, both nodes must be Leaf nodes. You cannot configure vIST, for example, on a Controller-Leaf node pair.

Also both the nodes must belong to the same DvR domain. vIST configuration over Leaf nodes in different domains is not supported.

Procedure

1. Enter Global Configuration mode:

```
enable
```

```
configure terminal
```


2. Configure vIST on the Leaf nodes:

```
dvr leaf virtual-ist {<A.B.C.D/X|<A.B.C.D> <A.B.C.D>} peer-ip
{A.B.C.D} cluster-id <1-1000>
```

3. (Optional) Disable vIST on the DvR Leaf node pair.

```
no dvr leaf virtual-ist
```

Caution:

Disabling DvR on a Leaf node in a vIST pair removes all vIST configuration on that node, but not on the pair. The node on which DvR is disabled also loses its membership with the DvR domain and all the dynamic content learned from the Controllers in that domain.

If DvR is re-enabled on the node, you must manually configure vIST on that node again.

4. View a summary of vIST configuration on the Leaf nodes.

```
show dvr
```

Example

Configure vIST on DvR Leaf nodes, with IP addresses 51.51.51.1 and 51.51.51.2 respectively:

```
Switch2:1>enable
Switch2:1#configure terminal
Enter configuration commands, one per line. End with CNTL/Z.
Switch2:1(config)#dvr leaf virtual-ist 51.51.51.1 peer-ip 51.51.51.2 cluster-id 255
```

```
Switch2:1#show dvr
```

```
=====
                        DVR Summary Info
=====
Domain ID                : 5
Domain ISID              : 16678219
Role                    : Leaf
My SYS ID                : 00:bb:00:00:71:23
Operational State       : Up
GW MAC                  : 00:00:5e:00:01:25
Inband Mgmt IP          :
Virtual Ist local address : 51.51.51.1
Virtual Ist local subnet mask : 255.255.255.0
Virtual Ist peer address  : 51.51.51.2
Virtual Ist cluster-id   : 255
Virtual Ist ISID        : 16677226
```

Variable definitions

Use the data in the following table to use the `dvr leaf virtual-ist` command.

Variable	Value
{<A.B.C.D/X <A.B.C.D> <A.B.C.D>}	Specifies the local IP (IPv4) address and subnet mask of the node.
{<A.B.C.D>}	Specifies the IP address (IPv4) of the vIST peer.

Table continues...

Variable	Value
<1-1000>	Specifies the cluster ID of vIST. It is set to 0 if vIST is not configured.

Configuring in-band management IP address

About this task

Configure a management IP address (IPv4 address) for in-band management of a Leaf node. This IP address is treated as a CLIP address.

*** Note:**

Configuring an in-band management IP address is required only on a Leaf node.

Procedure

1. Enter IS-IS Router Configuration mode:

```
enable
configure terminal
router isis
```

2. Configure an in-band management IP address.

```
inband-mgmt-ip {A.B.C.D}
```

3. Verify the configuration.

```
show dvr
show isis
```

4. **(Optional)** Remove the in-band management IP address if required.

```
no inband-mgmt-ip
```

Example

The following example demonstrates in-band management of a Leaf node from a Controller node, using the in-band management IP address.

Configure the in-band management IP address on the Leaf node:

```
Switch2:1>enable
Switch2:1#configure terminal
Enter configuration commands, one per line. End with CNTL/Z.
Switch2:1(config)#router isis
Switch2:1(config-isis)#inband-mgmt-ip 72.54.44.1
```

Verify configuration on the Leaf node:

```
Switch2:1(config-isis)#show dvr
```

```
=====
DVR Summary Info
```

```

=====
Domain ID                : 100
Domain ISID              : 16678219
Role                    : Leaf
My SYS ID                : 00:00:72:54:44:00
Operational State       : Up
GW MAC                  : 00:00:5e:00:01:25
Inband Mgmt IP          : 72.54.44.1
Virtual Ist local address : 51.51.51.1
Virtual Ist local subnet mask : 255.255.255.0
Virtual Ist peer address : 51.51.51.2
Virtual Ist cluster-id   : 255
Virtual Ist ISID        : 16677226

```

```
Switch2:1(config-isis)#show isis
```

```

=====
                        ISIS General Info
=====
                        AdminState : enabled
                        RouterType  : Level 1
                        System ID   : 00bb.0000.8121
Max LSP Gen Interval : 900
                        Metric     : wide
Overload-on-startup : 20
                        Overload   : false
                        Csnp Interval : 10
                        PSNP Interval : 2
                        Rxmt LSP Interval : 5
                        spf-delay  : 100
                        Router Name : router_r1
ip source-address :
ipv6 source-address :
ip tunnel source-address :
                        Tunnel vrf :
                        ONA Port  :
ip tunnel mtu :
Num of Interfaces : 3
Num of Area Addresses : 1
inband-mgmt-ip :72.54.44.1
                        backbone  : disabled
Dynamically Learned Area : 00.0000.0000
                        FAN Member : No

```

Test connectivity to the Leaf node from a Controller node, using the in-band management IP address.

On the Controller node:

```

Switch:1#telnet 72.54.44.1
Trying 72.54.44.1 ...
Connected to 72.54.44.1

```

Variable definitions

Use the data in the following table to use the `inband-mgmt-ip` command.

Variable	Value
{A.B.C.D}	Specifies the management IPv4 address used for inband management of the Leaf node.

Moving a vIST Leaf node pair from one domain to another

About this task

Use this procedure to move a vIST Leaf node pair from one DvR domain to another.

For vIST to work properly, both Leaf nodes must be in the *same* domain.

Procedure

1. Disable IS-IS on each vIST peer Leaf node, to remove the node from the SPB network.

```
no router isis enable
```

2. Disable DvR on each Leaf node.

```
no dvr leaf
```

Caution:

Disabling DvR on a Leaf node in a vIST pair automatically removes all vIST configuration on that node, but not on the pair. The node on which DvR is disabled also loses its membership with the DvR domain and all the dynamic content learned from the Controllers in that domain.

When you re-enable DvR on the node, you must manually configure vIST on that node again.

3. Configure each node as a DvR Leaf node, with the new domain ID.

Ensure that you configure both nodes as Leaf nodes and with the same domain ID.

```
dvr leaf <1-255>
```

4. Configure vIST on the DvR Leaf nodes.

```
dvr leaf virtual-ist {<A.B.C.D/X|<A.B.C.D> <A.B.C.D>} peer-ip  
{A.B.C.D} cluster-id <1-1000>
```

5. Enable IS-IS on each vIST peer Leaf node, to add back the node to the SPB network.

```
router isis enable
```

Example

Consider two vIST peer Leaf nodes `Switch1` (IP address 51.51.51.1) and `Switch2` (51.51.51.2) that belong to a DvR domain (with domain ID 4), that you need to move to another domain (with domain ID 5).

View a summary of existing Leaf configuration on each node.

```
Switch1:1(config)#show dvr
```

```
=====
DVR Summary Info
=====
Domain ID           : 4
Domain ISID         : 16678220
Role                : Leaf
My SYS ID           : 00:00:72:54:44:00
```

```
Operational State      : Up
GW MAC                : 00:00:5e:00:01:25
Inband Mgmt IP       :
Virtual Ist local address : 51.51.51.1
Virtual Ist local subnet mask : 255.255.255.0
Virtual Ist peer address  : 51.51.51.2
Virtual Ist cluster-id   : 255
Virtual Ist ISID       : 16677226
```

```
Switch2:1(config)#show dvr
```

```
=====
                        DVR Summary Info
=====
Domain ID              : 4
Domain ISID            : 16678220
Role                   : Leaf
My SYS ID              : 00:00:72:55:45:00
Operational State     : Up
GW MAC                 : 00:00:5e:00:01:25
Inband Mgmt IP        :
Virtual Ist local address : 51.51.51.1
Virtual Ist local subnet mask : 255.255.255.0
Virtual Ist peer address  : 51.51.51.2
Virtual Ist cluster-id   : 255
Virtual Ist ISID       : 16677226
```

Disable IS-IS globally on each Leaf node.

```
Switch1:1>en
Switch1:1>conf t
Enter configuration commands, one per line. End with CNTL/Z.
Switch1:1(config)#router isis
Switch1:1(config-isis)#no router isis enable
Switch1:1(config-isis)#exit
Switch1:1(config)#
```

```
Switch2:1>en
Switch2:1>conf t
Enter configuration commands, one per line. End with CNTL/Z.
Switch2:1(config)#router isis
Switch2:1(config-isis)#no router isis enable
Switch1:1(config-isis)#exit
Switch1:1(config)#
```

Disable DvR on each node. This automatically removes all vIST configuration on the node, but not on the vIST pair. The node also loses its membership with the DvR domain and all the dynamic content learned from the Controllers in that domain.

```
Switch1:1(config)#no dvr leaf
```

```
Switch2:1(config)#no dvr leaf
```

Configure each node as a DvR Leaf, with domain ID 5.

```
Switch1:1(config)#dvr leaf 5
```

```
Switch2:1(config)#dvr leaf 5
```

Configure vIST on each of the DvR Leaf nodes.

```
Switch1:1(config)#dvr leaf virtual-ist 51.51.51.1 peer-ip 51.51.51.2 cluster-id 255
```

```
Switch2:1(config)#dvr leaf virtual-ist 51.51.51.2 peer-ip 51.51.51.1 cluster-id 255
```

Enable IS-IS globally on each Leaf node.

```
Switch1:1(config)#router isis
Switch1:1(config-isis)#router isis enable
Switch1:1(config-isis)#exit
Switch1:1(config)#
```

```
Switch2:1(config)#router isis
Switch2:1(config-isis)#router isis enable
Switch2:1(config-isis)#exit
Switch2:1(config)#
```

View a summary of Leaf configuration on each node.

```
Switch1:1(config)#show dvr
```

```
=====
                        DVR Summary Info
=====
Domain ID                : 5
Domain ISID              : 16678221
Role                     : Leaf
My SYS ID                : 00:00:72:54:44:00
Operational State       : Up
GW MAC                   : 00:00:5e:00:01:25
Inband Mgmt IP          :
Virtual Ist local address : 51.51.51.1
Virtual Ist local subnet mask : 255.255.255.0
Virtual Ist peer address  : 51.51.51.2
Virtual Ist cluster-id    : 255
Virtual Ist ISID         : 16677226
```

```
Switch2:1(config)#show dvr
```

```
=====
                        DVR Summary Info
=====
Domain ID                : 5
Domain ISID              : 16678221
Role                     : Leaf
My SYS ID                : 00:00:72:55:45:00
Operational State       : Up
GW MAC                   : 00:00:5e:00:01:25
Inband Mgmt IP          :
Virtual Ist local address : 51.51.51.1
Virtual Ist local subnet mask : 255.255.255.0
Virtual Ist peer address  : 51.51.51.2
Virtual Ist cluster-id    : 255
Virtual Ist ISID         : 16677226
```

Moving a vIST Controller pair from one domain to another

About this task

Use this procedure to move a vIST Controller node pair from one DvR domain to another.

For vIST to work properly, both Controller nodes must be in the *same* domain.

Procedure

1. Disable IS-IS on each vIST peer Controller node, to remove the node from the SPB network.

```
no router isis enable
```

2. Disable DvR on each Controller node:

```
no dvr controller
```

Caution:

Disabling DvR on a DvR Controller destroys the domain ID and all dynamic content learned within the DvR domain. However, the switch retains the VLAN specific configuration which you can view using the command **show running-config**.

3. Configure each node as a DvR Controller node, with the new domain ID. Ensure that you configure both nodes as Controller nodes and with the same domain ID.

```
dvr controller <1-255>
```

4. Enable IS-IS on each vIST peer Controller node, to add back the node to the SPB network.

```
router isis enable
```

Example

Consider two vIST peer Controller nodes Switch1 (IP address 51.51.51.3) and Switch2 (51.51.51.4) that belong to a DvR domain (with domain ID 4), that you need to move to another domain (with domain ID 5).

View a summary of Controller configuration on each node:

```
Switch1:1(config)#show dvr
```

```
=====
DVR Summary Info
=====
Domain ID           : 4
Domain ISID         : 16678220
Backbone ISID       : 16678216
Role                : Controller
My SYS ID           : 00:bb:00:00:81:21
Operational State   : Up
GW MAC              : 00:00:5e:00:01:25
InjectDefaultRouteDisable(GRT) : Disabled
```

```
Switch2:1(config)#show dvr
```

```
=====
DVR Summary Info
=====
Domain ID           : 4
Domain ISID         : 16678220
Backbone ISID       : 16678216
Role                : Controller
My SYS ID           : 00:bb:00:00:82:22
Operational State   : Up
GW MAC              : 00:00:5e:00:01:25
InjectDefaultRouteDisable(GRT) : Disabled
```

DvR configuration using the CLI

Disable IS-IS globally on each Controller node:

```
Switch1:1>en
Switch1:1>conf t
Enter configuration commands, one per line. End with CNTL/Z.
Switch1:1(config)#router isis
Switch1:1(config-isis)#no router isis enable
Switch1:1(config-isis)#exit
Switch1:1(config)#
```

```
Switch2:1>en
Switch2:1>conf t
Enter configuration commands, one per line. End with CNTL/Z.
Switch2:1(config)#router isis
Switch2:1(config-isis)#no router isis enable
Switch1:1(config-isis)#exit
Switch1:1(config)#
```

Disable DvR on each node:

```
Switch1:1(config)#no dvr controller
```

```
Switch2:1(config)#no dvr Controller
```

Configure each node as a DvR Controller, with domain ID 5.

```
Switch1:1(config)#dvr controller 5
```

```
Switch2:1(config)#dvr controller 5
```

Enable IS-IS globally on each Controller node.

```
Switch1:1(config)#router isis
Switch1:1(config-isis)#router isis enable
Switch1:1(config-isis)#exit
Switch1:1(config)#
```

```
Switch2:1(config)#router isis
Switch2:1(config-isis)#router isis enable
Switch2:1(config-isis)#exit
Switch2:1(config)#
```

View a summary of Controller configuration on each node.

```
Switch1:1(config)#show dvr
```

```
=====
                        DVR Summary Info
=====
Domain ID                : 5
Domain ISID              : 16678221
Backbone ISID           : 16678216
Role                    : Controller
My SYS ID                : 00:bb:00:00:81:21
Operational State       : Up
GW MAC                  : 00:00:5e:00:01:25
InjectDefaultRouteDisable(GRT) : Disabled
```

```
Switch2:1(config)#show dvr
```

```
=====
                        DVR Summary Info
=====
Domain ID                : 5
Domain ISID              : 16678221
Backbone ISID           : 16678216
Role                    : Controller
```



```

My SYS ID           : 00:bb:00:00:82:22
Operational State   : Up
GW MAC              : 00:00:5e:00:01:25
InjectDefaultRouteDisable (GRT) : Disabled

```

View the vIST configuration on each of the Controller nodes.

```
Switch1:1>show virtual-ist
```

```

=====
                                 IST Info
=====
PEER-IP          VLAN      ENABLE   IST
ADDRESS          ID        IST      STATUS
-----
51.51.51.2       4002     true     up

NEGOTIATED
DIALECT          IST STATE                                MASTER/
                                                         SLAVE
-----
NONE             up                                           Master

```

```
Switch2:1>show virtual-ist
```

```

=====
                                 IST Info
=====
PEER-IP          VLAN      ENABLE   IST
ADDRESS          ID        IST      STATUS
-----
51.51.51.1       4002     true     up

NEGOTIATED
DIALECT          IST STATE                                MASTER/
                                                         SLAVE
-----
NONE             up                                           Slave

```

Configuring a non-DvR BEB to join the DvR backbone

About this task

Configure a non-DvR backbone edge bridge (BEB) to join the DvR backbone so that it can receive redistributed DvR host routes from all DvR Controllers in the SPB network.

* Note:

On a non-DVR BEB, the redistributed host routes from the DvR backbone are not automatically installed in the IP routing table. To utilize the backbone host routes to optimize traffic forwarding (forwarding in the data plane), you must explicitly configure an IS-IS accept policy with a backbone route policy using the command **accept backbone-route-map <route-map-name>**, and specifying a suitable route-map to select the list or range of DvR backbone host routes to be installed in the routing table.

For more information on configuring an IS-IS accept policy with a backbone route policy, see *Configuring Fabric Basics and Layer 2 Services*.

Procedure

1. Enter IS-IS Router Configuration mode:


```
enable
configure terminal
router isis
```
2. Configure a non-DvR BEB to join the DvR backbone.


```
[no] [[default] backbone enable
```
3. Verify the configuration using the following commands.
 - show dvr backbone-members
 - show dvr backbone-members non-dvr-beb
 - show dvr backbone-entries
 - show isis

Example

```
Switch3:1>enable
Switch3:1#configure terminal
Enter configuration commands, one per line. End with CNTL/Z.
Switch3:1(config)#router isis
Switch3:1(config-isis)#show dvr
```

```
=====
                                NON DVR BEB Summary Info
=====
```

Domain ID	:	0
Domain ISID	:	0
Backbone ISID	:	16678216
Role	:	NON DVR BEB
My SYS ID	:	00:00:82:84:40:00
Operational State	:	Up

Configure the non-DvR BEB to join the DvR backbone.

```
Switch3:1(config-isis)#backbone enable
```

Verify the configuration. View the DvR backbone members.

```
Switch3:1(config-isis)#show dvr backbone-members
```

```
=====
                                DVR BB Members
=====
```

System Name	Nick-Name	Nodal MAC	Role
DVR-8284-D2-C1-40	0.82.40	00:00:82:84:40:00	NON-DVR-BEB
DVR-8284-D2-C2-41	0.82.41	00:00:82:84:41:00	Controller

2 out of 2 Total Num of DVR Backbone Members displayed

```
Switch3:1(config-isis)#show dvr backbone-members non-dvr-beb
```

```
=====
                                DVR BB Members
=====
```

System Name	Nick-Name	Nodal MAC	Role
-------------	-----------	-----------	------

```
-----
DVR-8284-D2-C1-40                0.82.40                00:00:82:84:40:00        NON-DVR-BEB
1 out of 2 Total Num of DVR Backbone Members displayed
-----
```

View the backbone DvR host routes that the non-DvR BEB receives from other Controllers in the SPB network.

```
Switch3:1(config-isis)#show dvr backbone-entries
```

```
-----
DVR Backbone-Entries
-----
IP-ADDRESS      HOST          L3VSN      L2VSN      DOMAIN     ADV-CONTROLLER  NEXT HOP
MAC-ADDRESS     MAC-ADDRESS  ISID       ISID       ID
-----
39.1.1.4        10:cd:ae:70:5d:01  401       10390     200       DVR-8284-D2-C2-41  DVR-8284-D2-C2-41
39.2.1.4        10:cd:ae:70:5d:01  401       10391     200       DVR-8284-D2-C2-41  DVR-8284-D2-C2-41
39.3.1.4        10:cd:ae:70:5d:01  401       10392     200       DVR-8284-D2-C2-41  DVR-8284-D2-C2-41
39.4.1.4        10:cd:ae:70:5d:01  401       10393     200       DVR-8284-D2-C2-41  DVR-8284-D2-C2-41
39.5.1.4        10:cd:ae:70:5d:01  401       10394     200       DVR-8284-D2-C2-41  DVR-8284-D2-C2-41
39.6.1.4        10:cd:ae:70:5d:01  401       10395     200       DVR-8284-D2-C2-41  DVR-8284-D2-C2-41
6 out of 427 Total Num of DVR Backbone Routes displayed
-----
```

View the IS-IS related information.

```
Switch3:1(config-isis)#show isis
```

```
-----
ISIS General Info
-----
AdminState : enabled
RouterType : Level 1
System ID : 00bb.0000.8121
Max LSP Gen Interval : 900
Metric : wide
Overload-on-startup : 20
Overload : false
Csnp Interval : 10
PSNP Interval : 2
Rxmt LSP Interval : 5
spf-delay : 100
Router Name : router_r1
ip source-address :
ipv6 source-address :
ip tunnel source-address :
Tunnel vrf :
ONA Port :
ip tunnel mtu :
Num of Interfaces : 3
Num of Area Addresses : 1
inband-mgmt-ip : 72.54.44.1
backbone : enabled
Dynamically Learned Area : 00.0000.0000
FAN Member : No
```

DvR show commands

The following section explains the show commands for DvR.

Viewing DvR summary

Use this procedure to view a summary of the DvR configuration on a DvR Controller or a DvR Leaf.

Procedure

1. Enter Privileged EXEC mode:
enable
2. View a summary of DvR configuration. Enter:
show dvr

Example

View the information on a DvR Controller:

```
Switch:1#show dvr
=====
DVR Summary Info
=====
Domain ID           : 5
Domain ISID        : 16678219
Backbone ISID      : 16678216
Role                : Controller
My SYS ID          : 00:bb:00:00:81:21
Operational State  : Up
GW MAC             : 00:00:5e:00:01:25
InjectDefaultRouteDisable(GRT) : Enabled
```

View the information on a DvR Leaf:

```
Switch2:1#show dvr
=====
DVR Summary Info
=====
Domain ID           : 5
Domain ISID        : 16678219
Role                : Leaf
My SYS ID          : 00:bb:00:00:71:23
Operational State  : Up
GW MAC             : 00:00:5e:00:01:25
Inband Mgmt IP     : 72.54.44.1
Virtual Ist local address : 51.51.51.1
Virtual Ist local subnet mask : 255.255.255.0
Virtual Ist peer address : 51.51.51.2
Virtual Ist cluster-id : 255
Virtual Ist ISID    : 16677226
```

Job aid

Use the data in the following table to use the `show dvr` command output.

On a Controller:

Field	Descriptions
Domain ID	Specifies the domain ID of the DvR domain to which the Controller belongs.
Domain I-SID	Specifies the DvR domain I-SID. The range is 16678217 to 16678727.
Backbone I-SID	Specifies the backbone I-SID. The value is 16678216.
Role	Specifies the role of the node in the DvR domain, namely Controller.
My SYS ID	Specifies the MAC address of the Controller.
Operational State	Specifies the operational state of the Controller.
GW MAC	Specifies the gateway MAC address.
InjectDefaultRouteDisable	Specifies whether injection of default routes is disabled on the Controller. The default is disabled.

On a Leaf node:

Field	Descriptions
Domain ID	Specifies the domain ID of the DvR domain to which the Leaf node belongs.
Domain I-SID	Specifies the DvR domain I-SID. The range is 16678217 to 16678727.
Role	Specifies the role of the node in the DvR domain, namely Leaf.
My SYS ID	Specifies the MAC address of the Leaf node.
Operational State	Specifies the operational state of the Leaf node.
GW MAC	Specifies the gateway MAC address.
Inband Mgmt IP	Specifies the in-band management IP address.
Virtual Ist local address	Specifies the local IP address of the node, if vIST is configured.
Virtual Ist local subnet mask	Specifies the subnet mask of the local IP address of the node, if vIST is configured.
Virtual Ist peer address	Specifies the IP address of the peer node, in the vIST pair.
Virtual Ist cluster-id	Specifies the cluster ID if vIST is configured.
Virtual Ist ISID	Specifies the I-SID if vIST is configured.

Viewing members of a DvR domain

About this task

View the members of all DvR domains, namely the Controllers and Leaf nodes.

You can view this information on either a Controller or a Leaf node. Both the Controller and the Leaf node displays those members of the DvR domain to which it belongs.

Before you begin

Ensure that you enable DvR globally on the node.

Procedure

1. Enter Privileged EXEC mode:


```
enable
```
2. `show dvr members [controller|leaf]`

Example

View all members of a DvR domain:

```
Switch:1#show dvr members
=====
DVR Members (Domain ID: 255)
=====
System Name          Nick-Name          Nodal MAC          Role
-----
Leaf-4:110           0.41.10           00:bb:00:00:41:10  Leaf
Leaf-1:Q:123         0.71.23           00:bb:00:00:71:23  Leaf
Leaf-2:K:124         0.71.24           00:bb:00:00:71:24  Leaf
Leaf-3:K:125         0.71.25           00:bb:00:00:71:25  Leaf
Ctrl-1:Q:121         0.81.21           00:bb:00:00:81:21  Controller
Ctrl-2:Q:122         0.81.22           00:bb:00:00:81:22  Controller

6 out of 6 Total Num of DVR Members displayed
=====
```

View member DvR Controllers:

```
Switch:1#show dvr members controller
=====
DVR Members (Domain ID: 255)
=====
System Name          Nick-Name          Nodal MAC          Role
-----
Ctrl-1:Q:121         0.81.21           00:bb:00:00:81:21  Controller
Ctrl-2:Q:122         0.81.22           00:bb:00:00:81:22  Controller

2 out of 6 Total Num of DVR Members displayed
=====
```

View member DvR Leaf nodes:

```
Switch:1#show dvr members leaf
=====
DVR Members (Domain ID: 255)
=====
System Name          Nick-Name          Nodal MAC          Role
-----
Leaf-4:110           0.41.10           00:bb:00:00:41:10  Leaf
Leaf-1:Q:123         0.71.23           00:bb:00:00:71:23  Leaf
```

```

Leaf-2:K:124          0.71.24          00:bb:00:00:71:24      Leaf
Leaf-3:K:125          0.71.25          00:bb:00:00:71:25      Leaf
4 out of 6 Total Num of DVR Members displayed
-----

```

Job aid

Use the data in the following table to use the `show dvr members` command output.

Field	Descriptions
System Name	Specifies the system name of the DvR member (Controller or Leaf node).
Nick-Name	Specifies the nick name of the DvR member.
Nodal MAC	Specifies the nodal MAC address of the DvR member.
Role	Specifies the role of the DvR member within the DvR domain, that is Controller or Leaf.

Viewing DvR interfaces

View the DvR interfaces on either a Controller or a Leaf node.

On Controllers, DvR interfaces are created when you configure IP on a DvR enabled Layer 2 VSN (VLAN, I-SID). Only Controllers display the administrative state of the interfaces because this is where you enable or disable the interfaces. The Leaf nodes display DvR interface information that is pushed from the Controllers, for example, subnet routes or gateway IP addresses for the Layer 2 VSNs.

Before you begin

Ensure that you enable DvR globally on the node.

Procedure

1. Enter Privileged EXEC mode:

```
enable
```

2. View the DvR interface information.

On a Controller:

```
show dvr interfaces [l3isid <0-16777215>] [vrf WORD<1-16>] [vrfids
WORD<0-512>]
```

On a Leaf node:

```
show dvr interfaces [l3isid <0-16777215>]
```

Viewing the DvR interface information for a specific VRF or VRF ID is not supported on a DvR Leaf node.

Example

View DvR interfaces on a Controller node:

You can view DvR interface information on all interfaces or for a specific Layer 3 I-SID, VRF, or VRF ID.

```
Switch:1#show dvr interfaces
```

```
=====
                                DVR Interfaces
=====
Interface      Mask          L3ISID  VRFID    L2ISID    VLAN    GW IPv4    Admin  SPBMC  IGMP
State          State          State    State    State     State   State      State State  Version
-----
50.0.1.2       255.255.0.0  55500   1        50500     500     50.0.1.1  enable disable 2
1 out of 1 Total Num of DVR Interfaces displayed
=====
```

View DvR interfaces on a Leaf node:

You can view DvR interface information on all interfaces or for a specific Layer 3 I-SID. Viewing the interface information for a specific VRF or VRF ID is not supported on a DvR Leaf node.

```
Switch:1#show dvr interfaces l3isid 401
```

```
=====
                                DVR Interfaces
=====
Interface      Mask          L3ISID  VRFID    L2ISID    VLAN    GW IPv4
-----
40.1.0.0       255.255.0.0  401     2        10401     77     40.1.1.11
40.2.0.0       255.255.0.0  401     2        10402     78     40.2.1.11
40.3.0.0       255.255.0.0  401     2        10403     79     40.3.1.11
40.4.0.0       255.255.0.0  401     2        10404     80     40.4.1.11
4 out of 4 Total Num of DVR Interfaces displayed
=====
```

Variable definitions

Use the data in the following table to use the `show dvr interfaces` command.

Variable	Value
<i>l3isid</i>	Specifies the Layer 3 I-SID of the DvR interface. The range is 0 to 16777215.
<i>vrf</i>	Specifies the VRF name.
<i>vrfids</i>	Specifies the VRF ID. The range is 0 to 512.

Job aid

Use the data in the following table to use the `show dvr interfaces` command output.

Field	Descriptions
Interface	Specifies the VLAN IP address (IPv4) of the DvR interface.

Table continues...

Field	Descriptions
Mask	Specifies the subnet mask of the VLAN IP address.
L3ISID	Specifies the Layer 3 I-SID of the DvR interface. The range is 0 to 16777215.
VRFID	Specifies the VRF ID of the DvR interface
L2ISID	Specifies the Layer 2 I-SID of the DvR interface. The range is 1 to 16777215.
VLAN	Specifies the VLAN ID of the DvR interface.
GW IPv4	Specifies the DvR gateway IP address (IPv4).
Admin State	Specifies the administrative state of the DvR interface. * Note: This field displays only on a Controller node.
SPBMC State	Specifies the SBPMC state of the DvR interface.
IGMP version	Specifies the version of IGMP running on the DvR interface.

Viewing DvR host entries

About this task

View DvR host entries (IPv4 remote host routes) on either a Controller or a Leaf node. The node displays the host entries learned either locally on its Switched UNI port or dynamically from other nodes within the DvR domain.

Before you begin

Ensure that you enable DvR globally on the node.

Procedure

1. Enter Privileged EXEC mode:

```
enable
```

2. View the DvR host entries.

On a Controller:

```
show dvr host-entries [domain-id <1-255>][ipv4 {A.B.C.D}][l2isid <1-16777215>][l3isid <0-16777215>][nh-as-mac][type <1-2>][vrf WORD<1-16>] [vrffids WORD<0-512>]
```

On a Leaf node:

```
show dvr host-entries [domain-id <1-255>][ipv4 {A.B.C.D}][l2isid <1-16777215>][l3isid <0-16777215>][nh-as-mac][type <1-2>]
```

Viewing the DvR host entries for a specific VRF or VRF ID is not supported on a DvR Leaf node.

Example

View DvR host entries on either a Controller or a Leaf node.

Viewing the DvR host entries for a specific VRF or VRF ID is not supported on a DvR Leaf node.

```
Switch:1#show dvr host-entries domain-id 255 l3isid 55500
```

```
=====
DVR Host-Entries
=====
```

IP-ADDRESS	HOST MAC-ADDRESS	L3VSN ISID	L2VSN ISID	VRfid	PORT	DOMAIN ID	TYPE	NEXT HOP
50.0.1.2	b0:ad:aa:42:ed:04	55500	50500	0	2/23	255	DYNAMIC	Cont-1:121
50.0.1.3	b0:ad:aa:4c:3d:01	55500	50500	0	cpp	255	LOCAL	Cont-2:122

```
-----
2 out of 2 Total Num of DVR Host Entries displayed
-----
```

View DvR host entries for a specific IP address.

In this example, you enter IP address 50.0.1.0 to display host entries for IP addresses 50.0.1.2 and 50.0.1.3.

```
Switch:1#show dvr host-entries ipv4 50.0.1.0
```

```
=====
DVR Host-Entries
=====
```

IP-ADDRESS	HOST MAC-ADDRESS	L3VSN ISID	L2VSN ISID	VRfid	PORT	DOMAIN ID	TYPE	NEXT HOP
50.0.1.2	b0:ad:aa:42:ed:04	55500	50500	0	2/23	2	DYNAMIC	Cont-1:121
50.0.1.3	b0:ad:aa:4c:3d:01	55500	50005	0	cpp	2	LOCAL	Cont-2:122

```
-----
2 out of 2 Total Num of DVR Host Entries displayed
-----
```

View DvR host entries where the next hop displays the MAC address instead of the system name.

```
Switch:1#show dvr host-entries nh-as-mac
```

```
=====
DVR Host-Entries
=====
```

IP-ADDRESS	HOST MAC-ADDRESS	L3VSN ISID	L2VSN ISID	VRfid	PORT	DOMAIN ID	TYPE	NEXT HOP
50.0.1.2	b0:ad:aa:42:ed:04	55500	50500	0	2/23	2	DYNAMIC	00:bb:00:00:01:01
50.0.1.3	b0:ad:aa:4c:3d:01	55500	50500	0	cpp	2	LOCAL	00:bb:00:00:01:02

```
-----
2 out of 2 Total Num of DVR Host Entries displayed
-----
```

View DvR host entries based on the host type. Type 1 indicates local hosts and type 2 dynamic hosts.

```
Switch:1#show dvr host-entries type 2
```

```
=====
DVR Host-Entries
=====
```

IP-ADDRESS	HOST MAC-ADDRESS	L3VSN ISID	L2VSN ISID	VRfid	PORT	DOMAIN ID	TYPE	NEXT HOP
50.0.1.2	b0:ad:aa:42:ed:04	55500	50500	0	2/23	2	DYNAMIC	00:bb:00:00:01:01

```
-----
1 out of 2 Total Num of DVR Host Entries displayed
-----
```

Variable definitions

Use the data in the following table to use the **show dvr host-entries** command.

Variable	Value
<i>domain-id</i>	Specifies the domain ID of the DvR host entry. The range is 1 to 255.
<i>ipv4</i>	Specifies the IP address (IPv4) of the DvR host entry.
<i>l2sid</i>	Specifies the Layer 2 VSN I-SID of the DvR host entry. The range is 1 to 16777215.
<i>l3sid</i>	Specifies the Layer 3 VSN I-SID of the DvR host entry. The range is 0 to 16777215.
<i>nh-as-mac</i>	Specifies the MAC address of the next hop node instead of the system name.
<i>type</i>	Specifies the host type of the DvR host entry. A value of 1 indicates local hosts and a value of 2 indicates dynamic hosts.
<i>vrf</i>	Specifies the VRF name of the DvR host entry.
<i>vrfids</i>	Specifies the VRF ID of the DvR host entry. The range is 0 to 512.

Job aid

Use the data in the following table to use the **show dvr host-entries** command output.

Field	Descriptions
IP-ADDRESS	Specifies the IP address of the DvR host entry (IPv4 remote ARP).
HOST MAC-ADDRESS	Specifies the MAC address of the DvR host entry (IPv4 remote ARP).
L3VSN ISID	Specifies the Layer 3 VSN I-SID of the DvR host entry.
VRFID	Specifies the VRF ID of the DvR host entry.
L2VSN ISID	Specifies the Layer 2 VSN I-SID of the DvR host entry.
PORT	Specifies the port of the DvR host entry.
DOMAIN ID	Specifies the DvR domain ID of the DvR host entry.
TYPE	Specifies the host type of the DvR host entry.
NEXT HOP	Specifies the next hop system MAC address of the DvR host entry.

Viewing DvR routes

About this task

View the DvR routes (IPv4 network routes) on a DvR Controller or a Leaf node.

Controllers display all the IP subnet routes configured for that DvR domain. The Leaf nodes display the IP subnet routes that are learned from the Controller(s) for the Layer 2 VSNs in the DvR Domain. Leaf nodes also display routes that are redistributed by Controllers (direct routes, static routes and the default route), into the DvR domain.

Before you begin

Ensure that you enable DvR globally on the node.

Procedure

1. Enter Privileged EXEC mode:

```
enable
```

2. View the DvR routes.

On a Controller:

```
show dvr routes [ipv4 {A.B.C.D}]|[l3isid <0-16777215>]| [nh-as-mac] |
[vrf WORD<1-16>]| [vrfids WORD<0-512>]
```

On a Leaf node:

```
show dvr routes [ipv4 {A.B.C.D}]|[l3isid <0-16777215>]| [nh-as-mac]
```

Viewing the DvR routes for a specific VRF or VRF ID is not supported on a DvR Leaf node.

Example

View DvR routes on either a Controller or a Leaf node.

Viewing the DvR routes for a specific VRF or VRF ID is not supported on a DvR Leaf node.

```
Switch:1#show dvr routes
```

```
=====
DVR Routes
=====
```

DEST	MASK	NEXT HOP	VRFDID	L3VSN ISID	L2VSN ISID	TYPE	COST
50.0.0.0	255.255.0.0	Ctrl-1:8400:121	0	55500	50500	-	1

```
-----
1 out of 1 Total Num of DVR Routes displayed
-----
TYPE Legend: E=Ecmp Route
```

View DvR routes where the next hop MAC address is displayed instead of the system name:

```
Switch:1#show dvr routes nh-as-mac
```

```
=====
DVR Routes
=====
```

DEST	MASK	NEXT HOP	VRFDID	L3VSN ISID	L2VSN ISID	TYPE	COST
50.0.0.0	255.255.0.0	00:bb:00:00:01:02	0	55500	50500	-	1

```
-----
1 out of 1 Total Num of DVR Routes displayed
-----
TYPE Legend: E=Ecmp Route
```

Variable definitions

Use the data in the following table to use the `show dvr routes` command.

Variable	Value
<i>ipv4</i> {A.B.C.D}	Specifies the IP address (IPv4) of the DvR route.
<i>l3isid</i> <0-16777215>	Specifies the Layer 3 I-SID of the DvR route. The range is 0 to 16777215.
<i>nh-as-mac</i>	Specifies the MAC address of the next hop node instead of the system name.
<i>vrf</i>	Specifies the VRF name of the DvR route.
<i>vrfids</i>	Specifies the VRF ID of the DvR route. The range is 0 to 512.

Job aid

Use the data in the following table to use the `show dvr routes` command output.

Field	Descriptions
DEST	Specifies the IPv4 destination address of the DvR route.
MASK	Specifies the subnet mask of the IPv4 destination address of the DvR route.
NEXT HOP	Specifies the host name of the next hop BEB, in the DvR route.
VRFID	Specifies the VRF ID of the DvR route.
L3VSN ISID	Specifies the Layer 3 VSN I-SID of the DvR route.
L2VSN ISID	Specifies the Layer 2 VSN I-SID of the DvR route.
TYPE	Specifies the route type of the DvR route.
COST	Specifies the SPB cost of the DvR route.

Viewing DvR database information

About this task

View all DvR routes on a Controller or a Leaf node.

The Controller node displays all the IP subnet routes configured for that DvR domain. A Leaf node displays all IP subnet routes learned from the Controller(s) for the L2 VSNs in the DvR Domain. It also displays the Host Routes (ARPs) learned from other DvR enabled nodes.

Before you begin

Ensure that DvR is enabled globally on the node.

Procedure

1. Enter Privileged EXEC mode:
`enable`
2. View the DvR database.

DvR configuration using the CLI

On a Controller:

```
show dvr database [ipv4 {A.B.C.D}]|[l3isid<0-16777215>]| [nh-as-mac] |  
[vrf WORD<1-16>]| [vrfids WORD<0-512>]
```

On a Leaf node:

```
show dvr database [ipv4 {A.B.C.D}]|[l3isid<0-16777215>]| [nh-as-mac]
```

Viewing the DvR database for a specific VRF or VRF ID is not supported on a DvR Leaf node.

Example

View the DvR database on either a Controller or a Leaf node.

Viewing the DvR database for a specific VRF or VRF ID is not supported on a DvR Leaf node.

```
Switch:1#show dvr database  
=====   
DVR DATABASE   
=====   
DEST          MASK          NEXT          VRFID  L3VSN  L2VSN  OUTGOING  SPB  PREFIX   
              HOP              ISID    ISID    INTERFACE COST  COST  AGE   
-----   
40.0.0.0      255.255.0.0   Ctrl1-1:K:121  0      0      40400  cpp       10  1      0 day(s), 05:44:55   
40.0.1.2      255.255.255.255 Ctrl1-1:K:121  0      0      40400  cpp       10  1      0 day(s), 05:44:55   
40.0.1.3      255.255.255.255 Ctrl1-2:K:122  101    0      40400  Ctrl1-1-Ctrl12 10  1      0 day(s), 05:44:30   
-----   
3 out of 3 Total Num of DVR Database entries displayed   
=====
```

View the DvR database for a specific IPv4 address:

```
Switch:1#show dvr database ipv4 40.3.1.2  
=====   
DVR DATABASE   
=====   
DEST          MASK          NEXT          VRFID  L3VSN  L2VSN  OUTGOING  SPB  PREFIX   
              HOP              ISID    ISID    INTERFACE COST  COST  AGE   
-----   
40.3.1.2      255.255.255.255 Ctrl1-1:K:121  0      0      40403  cpp       10  1      0 day(s), 05:50:03   
-----   
1 out of 1225 Total Num of DVR Database entries displayed   
=====
```

View DvR database entries for a specific L3 I-SID.

```
Switch:1#show dvr database l3isid 0  
=====   
DVR DATABASE   
=====   
DEST          MASK          NEXT          VRFID  L3VSN  L2VSN  OUTGOING  SPB  PREFIX   
              HOP              ISID    ISID    INTERFACE COST  COST  AGE   
-----   
40.0.0.0      255.255.0.0   Ctrl1-1:K:121  0      0      40400  cpp       10  1      0 day(s), 05:44:55   
40.0.1.2      255.255.255.255 Ctrl1-1:K:121  0      0      40400  cpp       10  1      0 day(s), 05:44:55   
40.0.1.3      255.255.255.255 Ctrl1-2:K:122  0      0      40400  Ctrl1-1-Ctrl12 10  1      0 day(s), 05:44:30   
-----   
3 out of 3 Total Num of DVR Database entries displayed   
=====
```

View DvR database entries with next hop MAC address displayed instead of the system name:

```
Switch:1#show dvr database l3isid 0  
=====   
DVR DATABASE   
=====   
DEST          MASK          NEXT          VRFID  L3VSN  L2VSN  OUTGOING  SPB  PREFIX   
              HOP              ISID    ISID    INTERFACE COST  COST  AGE   
-----   
40.0.0.0      255.255.0.0   00:bb:00:00:81:21  0      0      40400  cpp       10  1      0 day(s), 05:44:55   
40.0.1.2      255.255.255.255 00:bb:00:00:81:21  0      0      40400  cpp       10  1      0 day(s), 05:44:55   
40.0.1.3      255.255.255.255 00:bb:00:00:81:22  0      0      40400  Ctrl1-1-Ctrl12 10  1      0 day(s), 05:44:30   
-----   
3 out of 3 Total Num of DVR Database entries displayed   
=====
```

Variable definitions

Use the data in the following table to use the `show dvr database` command.

Variable	Value
<i>ipv4 {A.B.C.D}</i>	Specifies the IP address (IPv4) of the DvR database entry.
<i>l3isid <0-16777215></i>	Specifies the Layer 3 I-SID of the DvR database entry. The range is 0 to 16777215.
<i>nh-as-mac</i>	Specifies the MAC address of the next hop node instead of the system name.
<i>vrf</i>	Specifies the VRF name of the DvR database entry.
<i>vrfids</i>	Specifies the VRF ID of the DvR database entry. The range is 0 to 512.

Job aid

Use the data in the following table to use the `show dvr database` command output.

Field	Descriptions
DEST	Specifies the address type of the IPv4 destination address of the DvR database entry.
MASK	Specifies the destination mask of the DvR database entry.
NEXT HOP	Specifies the MAC address of the next hop BEB, in the DvR database entry.
VRFID	Specifies the VRF ID for the database entry.
L3VSN ISID	Specifies the Layer 3 VSN I-SID of the DvR database entry.
L2VSN ISID	Specifies the Layer 2 VSN I-SID of the DvR database entry.
OUTGOING INTERFACE	Specifies the outgoing interface (port or MLT) of the DvR database entry.
SPB COST	Specifies the SPB cost of the DvR database entry.
PREFIX COST	Specifies the prefix cost of the DvR database entry.
AGE	Specifies the uptime since creation of the DvR database table entry.

Viewing DvR backbone entries

About this task

View the DvR backbone entries (redistributed host routes) learned from all Controllers in all DvR domains.

*** Note:**

DvR backbone entries can be viewed only on a Controller. Viewing backbone entries is not applicable on a Leaf node.

Before you begin

Ensure that you enable DvR globally on the node.

Procedure

1. Enter Privileged EXEC mode:

```
enable
```

2. View DvR backbone entries:

```
show dvr backbone-entries [adv-controller WORD<1-255>] [[domain-id <1-255>] | [host-mac-address 0x00:0x00:0x00:0x00:0x00:0x00] | [ipv4 {A.B.C.D}] | [l2isid <1-16777215>] | [l3isid <0-16777215>] | [next-hop WORD<1-255>] | [nh-as-mac]
```

Example

View all DvR backbone entries:

```
Switch:1#show dvr backbone-entries
```

```
=====
DVR Backbone-Entries
=====
```

IP-ADDRESS	HOST MAC-ADDRESS	L3VSN ISID	L2VSN ISID	DOMAIN ID	ADV-CONTROLLER	NEXT HOP
40.0.1.2	b0:ad:aa:4c:55:00	0	40400	255	Ctrl-2:8200:122	Ctrl-1:8400:121
40.0.1.2	b0:ad:aa:4c:55:00	0	40400	255	Ctrl-1:8400:121	Ctrl-1:8400:121
40.0.1.3	b0:ad:aa:43:31:00	0	40400	255	Ctrl-1:8400:121	Ctrl-2:8200:122
40.0.1.3	b0:ad:aa:43:31:00	0	40400	255	Ctrl-2:8200:122	Ctrl-2:8200:122

```
4 out of 4 Total Num of DVR Backbone Routes displayed
=====
```

View DvR backbone entries on a specific DvR Controller:

```
Switch:1#show dvr backbone-entries adv-controller Ctrl-2:8200:122
```

```
=====
DVR Backbone-Entries
=====
```

IP-ADDRESS	HOST MAC-ADDRESS	L3VSN ISID	L2VSN ISID	DOMAIN ID	ADV-CONTROLLER	NEXT HOP
40.0.1.2	b0:ad:aa:4c:55:00	0	40400	255	Ctrl-2:8200:122	Ctrl-1:8400:121
40.1.1.3	b0:ad:aa:43:31:00	0	40401	255	Ctrl-2:8200:122	Ctrl-2:8200:122

```
2 out of 2 Total Num of DVR Backbone Routes displayed
=====
```

View DvR backbone entries for a specific host MAC address:

```
Switch:1#show dvr backbone-entries host-mac-address b0:ad:aa:4c:55:00
```

```
=====
DVR Backbone-Entries
=====
```

IP-ADDRESS	HOST MAC-ADDRESS	L3VSN ISID	L2VSN ISID	DOMAIN ID	ADV-CONTROLLER	NEXT HOP
40.0.1.2	b0:ad:aa:4c:55:00	0	40400	255	Ctrl-2:8200:122	Ctrl-1:8400:121
40.0.1.2	b0:ad:aa:4c:55:00	0	40400	255	Ctrl-1:8400:121	Ctrl-1:8400:121

```
2 out of 2 Total Num of DVR Backbone Routes displayed
=====
```


View DvR backbone entries for a specific IP address:

In this example, you enter IP address 40.0.1.0 to display backbone entries for IP addresses 40.0.1.2 and 40.0.1.3.

```
Switch:1#show dvr backbone-entries ipv4 40.0.1.0
```

```
=====
DVR Backbone-Entries
=====
```

IP-ADDRESS	HOST MAC-ADDRESS	L3VSN ISID	L2VSN ISID	DOMAIN ID	ADV-CONTROLLER	NEXT HOP
40.0.1.2	b0:ad:aa:4c:55:00	0	40400	255	Ctrl-2:8200:122	Ctrl-1:8400:121
40.0.1.2	b0:ad:aa:4c:55:00	0	40400	255	Ctrl-1:8400:121	Ctrl-1:8400:121
40.1.1.3	b0:ad:aa:43:31:00	0	40401	255	Ctrl-2:8200:122	Ctrl-2:8200:122
40.1.1.3	b0:ad:aa:43:31:00	0	40401	255	Ctrl-2:8200:121	Ctrl-2:8200:122

```
-----
4 out of 4 Total Num of DVR Backbone Routes displayed
=====
```

View DvR backbone entries for a specific L3 VSN I-SID:

```
Switch:1#show dvr backbone-entries l3isid 0
```

```
=====
DVR Backbone-Entries
=====
```

IP-ADDRESS	HOST MAC-ADDRESS	L3VSN ISID	L2VSN ISID	DOMAIN ID	ADV-CONTROLLER	NEXT HOP
40.0.1.2	b0:ad:aa:4c:55:00	0	40400	255	Ctrl-2:8200:122	Ctrl-1:8400:121
40.0.1.2	b0:ad:aa:4c:55:00	0	40400	255	Ctrl-1:8400:121	Ctrl-1:8400:121
40.0.1.3	b0:ad:aa:43:31:00	0	40400	255	Ctrl-1:8400:121	Ctrl-2:8200:122
40.0.1.3	b0:ad:aa:43:31:00	0	40400	255	Ctrl-2:8200:122	Ctrl-2:8200:122

```
-----
4 out of 4 Total Num of DVR Backbone Routes displayed
=====
```

View DvR backbone entries for a specific next hop node:

```
Switch:1#show dvr backbone-entries next-hop Ctrl-1:8400:121
```

```
=====
DVR Backbone-Entries
=====
```

IP-ADDRESS	HOST MAC-ADDRESS	L3VSN ISID	L2VSN ISID	DOMAIN ID	ADV-CONTROLLER	NEXT HOP
40.0.1.2	b0:ad:aa:4c:55:00	0	40400	255	Ctrl-2:8200:122	Ctrl-1:8400:121
40.0.1.2	b0:ad:aa:4c:55:00	0	40400	255	Ctrl-1:8400:121	Ctrl-1:8400:121

```
-----
2 out of 2 Total Num of DVR Backbone Routes displayed
=====
```

View DvR backbone entries where the next hop nodes are displayed as MAC addresses:

```
Switch:1#show dvr backbone-entries nh-as-mac
```

```
=====
DVR Backbone-Entries
=====
```

IP-ADDRESS	HOST MAC-ADDRESS	L3VSN ISID	L2VSN ISID	DOMAIN ID	ADV-CONTROLLER	NEXT HOP
40.0.1.2	b0:ad:aa:4c:55:00	0	40400	255	Ctrl-2:8200:122	00:bb:00:00:81:21
40.0.1.2	b0:ad:aa:4c:55:00	0	40400	255	Ctrl-1:8400:121	00:bb:00:00:81:21

```
-----
2 out of 2 Total Num of DVR Backbone Routes displayed
=====
```

Variable definitions

Use the data in the following table to use the **show dvr backbone entries** command.

Variable	Value
<i>adv-controller</i> WORD<1-255>	Specifies the system name of the advertising Controller.
<i>domain-id</i> <1-255>	Specifies the domain ID of the DvR backbone entry. The range is 1 to 255.
<i>host-mac-address</i> 0x00:0x00:0x00:0x00:0x00:0x00	Specifies the host MAC address of the DvR backbone entry.
<i>ipv4</i> {A.B.C.D}	Specifies the IP address (IPv4) of the DvR backbone entry.
<i>l2isid</i> <1-16777215>	Specifies the Layer 2 I-SID of the DvR backbone entry. The range is 1 to 16777215.
<i>l3isid</i> <0-16777215>	Specifies the Layer 3 I-SID of the DvR backbone entry. The range is 0 to 16777215.
<i>next-hop</i> WORD<1-255>	Specifies the system name of the next hop node.
<i>nh-as-mac</i>	Specifies the MAC address of the next hop node instead of the system name.

Job aid

Use the data in the following table to use the `show dvr backbone-entries` command output.

Field	Descriptions
IP-ADDRESS	Specifies the IPv4 address of the DvR backbone host.
HOST MAC-ADDRESS	Specifies the MAC address of DvR backbone host.
L3VSN ISID	Specifies the Layer 3 VSN I-SID of the DvR backbone host.
L2VSN ISID	Specifies the Layer 2 VSN I-SID of the DvR backbone host.
DOMAIN ID	Specifies the domain ID of the DvR backbone host.
ADV-CONTROLLER	Specifies the host name of the advertising Controller.
NEXT HOP	Specifies the MAC address of the next hop backbone host in the DvR route.

Viewing DvR backbone members

About this task

DvR backbone members are either DvR Controllers or non-DvR BEBs that receive redistributed host routes from all other DvR Controllers in the SPB network.

Before you begin

Ensure that DvR is enabled globally on the node.

Procedure

1. Enter Privileged EXEC mode:
`enable`

2. View DvR backbone member information:

```
show dvr backbone-members [controller|non-dvr-beb]
```

Example

View all DvR backbone members:

```
Switch:1#show dvr backbone-members
=====
DVR BB Members
=====
System Name           Nick-Name           Nodal MAC           Role           Domain Id
-----
DVR-D2-C1-40         0.82.40            00:00:82:84:40:00   NON-DVR-BEB   2
Ctrl-2:8200:122     0.81.22            00:bb:00:00:81:22   Controller     2

2 out of 2 Total Num of DVR Backbone Members displayed
=====
```

View backbone members that are DvR controllers:

```
Switch:1#show dvr backbone-members controller
=====
DVR BB Members (Domain ID: 255)
=====
System Name           Nick-Name           Nodal MAC           Role           Domain Id
-----
Ctrl-2:8200:122     0.81.22            00:bb:00:00:81:22   Controller     2

1 out of 2 Total Num of DVR Backbone Members displayed
=====
```

View backbone members that are non-DvR BEBs:

```
Switch:1#show dvr backbone-members non-dvr-beb
=====
DVR BB Members
=====
System Name           Nick-Name           Nodal MAC           Role           Domain Id
-----
DVR-D2-C1-40         0.82.40            00:00:82:84:40:00   NON-DVR-BEB   2

1 out of 2 Total Num of DVR Backbone Members displayed
=====
```

Variable definitions

Use the data in the following table to use the `show dvr backbone-members` command.

Variable	Value
<code>controller</code>	Specifies backbone members that are DvR Controllers.
<code>non-dvr-beb</code>	Specifies backbone members that are non-DvR BEBs.

Job aid

Use the data in the following table to use the `show dvr backbone-members` command output.

Field	Description
System Name	Specifies the system name of the DvR backbone member.
Nick-Name	Specifies the nick name of the DvR backbone member.
Nodal MAC	Specifies the nodal MAC address of the DvR backbone member.

Table continues...

Field	Description
Role	Specifies the role of the DvR backbone member.
Domain Id	Specifies the domain ID of the backbone member.

Viewing Layer 3 VSN information

About this task

View VRFs corresponding to Layer 3 (routed) VSN I-SIDs on either a Controller or a Leaf node.

Before you begin

Ensure that you enable DvR globally on the node.

Procedure

1. Enter Privileged EXEC mode:

```
enable
```

2. View the Layer 3 VSN information:

```
show dvr l3vsn [l3isid <0-16777215>] | [vrf WORD<1-16>] | [vrfids WORD<0-512>]
```

Example

View Layer 3 VSN information on a DvR Controller:

```
Switch:1#show dvr l3vsn
```

```
=====
                        DVR L3VSN
=====
VRF ID      L3VSN ISID   VRF NAME     INJECT-DEFAULT-ROUTE-DISABLE
-----
1           55500       vrf600       Disabled
2           55501       vrf601       Disabled
3           55502       vrf602       Disabled
4           55503       vrf603       Disabled

4 out of 4 Total Num of DVR L3VSN displayed
=====
```

View Layer 3 VSN information on a DvR Leaf node:

```
Switch2:1#show dvr l3vsn
```

```
=====
                        DVR L3VSN
=====
VRF ID      L3VSN ISID   VRF NAME
-----
1           55500       vrf600
2           55501       vrf601
3           55502       vrf602

3 out of 3 Total Num of DVR L3VSN displayed
=====
```

Variable definitions

Use the data in the following table to use the `show dvR l3vsn` command.

Variable	Value
<code>l3isid <0-16777215></code>	Specifies the Layer 3 VSN I-SID. The range is 0 to 16777215.
<code>vrf WORD<1-16></code>	Specifies the VRF name of the VRF corresponding to the Layer 3 VSN I-SID.
<code>vrfids WORD<0-512></code>	Specifies the VRF ID of the VRF.

Job aid

Use the data in the following table to use the `show dvR l3vsn` command output on a DvR Controller.

Field	Description
VRF ID	Specifies the VRF ID of the VRF corresponding to the Layer 3 VSN I-SID.
L3VSN ISID	Specifies the Layer 3 VSN I-SID.
VRF NAME	Specifies the VRF name of the VRF corresponding to the Layer 3 VSN I-SID.
INJECT-DEFAULT-ROUTE-DISABLE	Specifies whether injection of default routes is disabled.

Use the data in the following table to use the `show dvR l3vsn` command output on a DvR Leaf node.

Field	Description
VRF ID	Specifies the VRF ID of the VRF corresponding to the Layer 3 VSN I-SID.
L3VSN ISID	Specifies the Layer 3 VSN I-SID.
VRF NAME	Specifies the VRF name of the VRF corresponding to the Layer 3 VSN I-SID.

Viewing DvR domain redistribution information

About this task

View DvR domain redistribution information on a Controller or a Leaf node.

Note:

You can view DvR domain redistribution information only on a DvR Controller.

An error message displays if you attempt to view this information on a DvR Leaf node.

Before you begin

Ensure that you enable DvR globally on the node.

Procedure

1. Enter Privileged EXEC mode:

```
enable
```

2. View DvR domain redistribution information:

```
show dvr redistribute [vrf WORD<1-16>] | [vrfids WORD<0-512>]
```

Example

View DvR domain redistribution information on a Controller:

```
Switch:1#show dvr redistribute
=====
DVR Redistribute List - GlobalRouter
=====
SOURCE MET MTYPE      ENABLE RPOLICY
-----
STAT  1   External  TRUE  -
```

View DvR domain redistribution information for a particular VRF.

```
Switch:1#show dvr redistribute vrf vrf1
=====
DVR Redistribute List - VRF vrf1
=====
SOURCE MET MTYPE      ENABLE RPOLICY
-----
STAT  20000 External  TRUE  -
LOC   10000 Internal  TRUE  -
```

Variable definitions

Use the data in the following table to use the `show dvr redistribute` command.

Variable	Definitions
vrf WORD<1-16>	Specifies the VRF name.
vrfids WORD<0-512>	Specifies the VRF ID of the VRF.

Job aid

Use the data in the following table to use the `show dvr redistribute` command output.

Field	Description
SOURCE	Specifies the source of the DvR route redistribution.
MET	Specifies the DvR route redistribution metric. The range is 0 to 65535.
MTYPE	Specifies the DvR route redistribution metric type.

Table continues...

Field	Description
ENABLE	Specifies whether DvR route redistribution is enabled on the VRF instance.
RPOLICY	Specifies the route policy for DvR route redistribution.

Chapter 5: DvR configuration using the EDM

The following sections describe configuration of Distributed Virtual Routing (DvR) using the Enterprise Device Manager (EDM).

Configuring a DvR Controller or a DvR Leaf globally

About this task

Configure a node to perform the role of either a Controller or a Leaf, within the DvR domain.

Before you begin

Important:

For DvR Leaf Configuration only:

You must enable the `dvr-leaf-mode` boot flag before you configure a node as a DvR Leaf node. Navigate to **Configuration > Edit > Chassis**. On the **Boot Config** tab, select **EnableDvrLeafMode**.

Ensure that you save the current configuration on the switch, before you enable the flag. Enabling the flag removes all non-DvR configuration on the switch.

Procedure

1. In the navigation pane, expand the **Configuration > Edit** folders.
2. Click **DVR**.
3. Click the **Globals** tab.
4. Enter the domain ID in the **DomainId** field.

Note:

A Controller or a Leaf node can belong to only one DvR domain.

5. Select the role of the node in the **Role** field.
6. **(Optional)** On a Controller node, disable injection of default routes into the DvR domain. Select **InjectDefaultRouteDisable**.

*** Note:**

This field applies only to Controllers. Attempting to select this field on a Leaf node displays an error message.

- Update the fields as necessary, and then click **Apply** to save your configuration.

Globals field descriptions

Use the data in the following table to use the Globals tab.

Field	Descriptions
DomainId	Uniquely identifies the domain that the node belongs to. The range for a Controller or a Leaf is 1 to 255. Set to 0 if is not configured.
Role	Specifies the role of the node in the domain, that is, either a Controller or a Leaf.
Enable	Specifies whether is enabled on the node. Configuring a Controller or Leaf sets this parameter to true.
DomainSid	Uniquely identifies the domain I-SID that the node belongs to. The range is 16678217 to 16678727. 0 indicates that is not configured.
BackboneSid	Uniquely identifies the backbone ISID that the node belongs to. The valid backbone I-SID is 16678216. It is set to 0 if is not configured.
GatewayMac	Specifies the Gateway MAC address used by all Domains.
InbandMgmtIp	Specifies the In-band Management IP address configured under IS-IS. You can use this IP address to manage the node, irrespective of whether is enabled on it.
InjectDefaultRouteDisable	Specifies whether injection of default routes is disabled on the Controller in the domain. By default, Controllers inject default routes into the domain so that all Leaf nodes in the domain learn these routes with the next hop as the Controller that advertised it. Selecting this field disables this behavior.

Table continues...

Field	Descriptions
VirtualIstLocalAddr	Specifies the local IP address of vIST, if vIST is configured on a Leaf. vIST cannot be configured on a Controller.
VirtualIstLocalMask	Specifies the local subnet mask of vIST, if vIST is configured on a Leaf. vIST cannot be configured on a Controller.
VirtualIstPeerAddr	Specifies the peer IP address of vIST, if vIST is configured on a Leaf. vIST cannot be configured on a Controller.
VirtualIstClusterId	Specifies the cluster ID of vIST, if vIST is configured on a Leaf. vIST cannot be configured on a Controller. Set to 0 if vIST is not configured.
VirtualIstIstsid	Specifies the I-SID if vIST is configured.
OperState	Specifies the operational state of the node.

Viewing DvR routes

About this task

View the DvR routes (host routes and the IPv4 network routes) that are learned on a DvR Controller or a Leaf node.

Controllers display all the IP subnet routes configured for that DvR domain. Leaf nodes display the IP subnet routes learned from the Controller(s) for the L2 VSNs in the DvR Domain. Leaf nodes also display any redistributed routes into the DvR Domain that are learned from the Controllers (direct routes, static routes and the default route).

Before you begin

Ensure that you enable DvR globally on the node.

Procedure

1. In the navigation pane, expand the **Configuration > Edit** folders.
2. Click **DVR**.
3. Click the **Routes** tab.
4. To filter the rows based on the specific criteria, click **Filter**.

Routes field descriptions

Use the data in the following table to use the Routes tab.

Name	Description
DestIpAddrType	Specifies the IPv4 destination address type of the DvR route.
DestIpAddr	Specifies the IPv4 destination address of the DvR route.
DestMask	Specifies the destination mask of the DvR route.
L3Isid	Specifies the L3 I-SID of the DvR route.
EcmpIndex	Specifies the ECMP index for the ECMP routes of the DvR route.
NextHopMac	Specifies the MAC address of the next hop BEB in the DvR route.
L2Isid	Specifies the L2 I-SID of the DvR route.
VrfId	Specifies the VRF ID.
Cost	Specifies the SPB cost of the DvR route.
NextHopName	Specifies the host name of the next hop BEB, in the DvR route.
Type	Specifies the route type of the DvR route.

Viewing members of a DvR domain

About this task

View the members of all DvR domains namely the Controllers and Leaf nodes.

You can view this information on either a Controller or a Leaf node. Both the Controller and the Leaf node displays the members of the DvR domain to which it belongs.

Before you begin

Ensure that you enable DvR globally on the node.

Procedure

1. In the navigation pane, expand the **Configuration > Edit** folders.
2. Click **DVR**.
3. Click the **Members** tab.
4. **(Optional)** To filter the rows based on specific criteria, click **Filter**.

Members field descriptions

Use the data in the following table to use the Members tab.

Name	Description
MacAddress	Specifies the system ID or the nodal MAC address of this DvR member.
SysName	Specifies the system name of this DvR member.
NickName	Specifies the nick name of this DvR member.
Role	Specifies the DvR role (Controller or Leaf) of this DvR member.
DomainId	Specifies the domain ID of the DvR domain that this member belongs to.

Viewing DvR backbone members

About this task

DvR backbone members are either DvR Controllers or non-DvR BEBs that receive redistributed host routes from all other DvR Controllers in the SPB network.

Before you begin

Ensure that you enable DvR globally on the node.

Procedure

1. In the navigation pane, expand the **Configuration > Edit** folders.
2. Click **DVR**.
3. Click the **Backbone Members** tab.
4. **(Optional)** To filter the rows based on specific criteria, click **Filter**.

Backbone Members field descriptions

Use the data in the following table to use the Backbone Members tab.

Name	Description
MacAddress	Specifies the system ID or the nodal MAC address of this DvR backbone member.

Table continues...

Name	Description
SysName	Specifies the system name of this DvR backbone member.
NickName	Specifies the nick name of this DvR backbone member.
Role	Specifies the role of this DvR backbone member. It is either a DvR Controller or a non-DvR BEB.
DomainId	Specifies the domain ID of the DvR domain that this backbone member belongs to. The domain ID is 0 for a non-DvR BEB.

Viewing DvR interfaces

About this task

View the DvR interfaces on either a Controller or a Leaf node.

On Controllers, DvR interfaces are created when you configure IP on a DvR enabled Layer 2 VSN (VLAN, I-SID). Only Controllers display the administrative state of the interfaces because this is where you enable or disable the interfaces. On a Leaf node, the DvR interface information that the Controllers push, for example, subnet routes and the gateway IP addresses for the Layer 2 VSNs, are displayed.

Before you begin

Ensure that you enable DvR globally on the node.

Procedure

1. In the navigation pane, expand the **Configuration > Edit** folders.
2. Click **DVR**.
3. Click the **Interfaces** tab.

Click **Filter** to filter rows based on specific filter criteria.

Interfaces field descriptions

Use the data in the following table to use the Interfaces tab.

Name	Description
VlanIpAddrType	Specifies the VLAN IP address type of the DvR interface.

Table continues...

Name	Description
VlanIpAddr	Specifies the VLAN IP address (IPv4) of the DvR interface.
L3Isid	Specifies the Layer 3 I-SID of the DvR interface. The range is 1 to 16777215.
L2Isid	Specifies the Layer 2 I-SID of the DvR interface. The range is 1 to 16777215.
VlanIpMask	Specifies the VLAN IP address mask of the DvR interface.
VrfId	Specifies the VRF ID of the DvR interface. The VRF ID is 0 for the GRT.
VlanId	Specifies the VLAN ID of the DvR interface.
GwIpAddrType	Specifies the address type of the DvR gateway IP address (IPv4).
GwIpAddr	Specifies the DvR gateway IP address (IPv4).
AdminState	Specifies the administrative state of the DvR interface.
SpbmcState	Specifies the state of IP Multicast over Fabric Connect, on the DvR interface.
IgmpVersion	Specifies the version of IGMP that runs on the DvR interface.

Viewing DvR Host entries

About this task

View DvR host entries (IPv4 remote ARPs) on either a Controller or a Leaf node. The node displays the host entries learned either locally on its UNI port or dynamically from other nodes in the DvR domain.

Before you begin

Ensure that you enable DvR globally on the node.

Procedure

1. In the navigation pane, expand the **Configuration > Edit** folders.
2. Click **DVR**.
3. Click the **Host Entries** tab.
4. **(Optional)** To filter the rows based on the specific criteria, click **Filter**.

Host Entries field descriptions

Use the data in the following table to use the Host Entries tab.

Name	Description
IpAddrType	Specifies the address type of the DvR host entry (IPv4 remote ARP).
IpAddr	Specifies the IPv4 address of the DvR host entry.
Mask	Specifies the subnet mask of the DvR host entry.
L3lsid	Specifies the Layer 3 I-SID of the DvR host entry.
MacAddr	Specifies the MAC address of the DvR host entry.
L2lsid	Specifies the Layer 2 I-SID of the DvR host entry.
Vrflid	Specifies the VRF ID associated with the DvR host entry.
Port	Specifies the port of the DvR host entry.
DomainId	Specifies the DvR domain ID of the DvR host entry.
Type	Specifies the host type of the DvR host entry.
NextHopName	Specifies the next hop system name of the DvR host entry.
NextHopMac	Specifies the next hop system MAC address of the DvR host entry.
ClearEntry	

Clearing DvR host entries

About this task

Clear DvR host entries (IPv4 remote host routes) on a Controller. The host entries are learned on the switch either locally on its UNI port or dynamically from other nodes in the DvR domain.

Note:

You can clear DvR host entries only on a DvR Controller.

An error message displays if you attempt clearing of host entries on a DvR Leaf node.

Before you begin

Ensure that you enable DvR globally on the node.

Procedure

1. In the navigation pane, expand the **Configuration > Edit** folders.
2. Click **DVR**.

3. Click the **Clear Host Entries** tab.
4. Update the fields as necessary, and then click **Apply** to save your configuration.

Clear Host Entries field descriptions

Use the data in the following table to use the Clear Host Entries tab.

Name	Description
ClearAll	Select to clear all DvR host entries.
ClearIpv4	Specifies the IPv4 address of the DvR host entries to clear. The IPv4 address must not be the VLAN IP address on any Controller within the DvR domain.
ClearL2Isid	Specifies the Layer 2 VSN I-SID of the DvR host entries to clear. The range is 0 to 16777215.
ClearL3Isid	Specifies the Layer 3 VSN I-SID of the DvR host entries to clear. The range is 0 to 16777215.

Viewing Layer 3 VSN information

About this task

View VRFs corresponding to Layer 3 (routed) VSN I-SIDs on either a Controller or a Leaf node.

Before you begin

Ensure that you enable DvR globally on the node.

Procedure

1. In the navigation pane, expand the **Configuration > Edit** folders.
2. Click **DVR**.
3. Click the **L3–VSN** tab.

Click **Filter** to filter rows based on specific filter criteria.

L3–VSN field descriptions

Use the data in the following table to use the L3–VSN tab.

Name	Description
Vrflid	Specifies the VRF ID of the VRF corresponding to the Layer 3 VSN I-SID.
Isid	Specifies the Layer 3 VSN I-SID.
VrfName	Specifies the VRF name of the VRF corresponding to the Layer 3 VSN I-SID.
InjectDefaultRouteDisable	Specifies whether injection of default routes is disabled.

Viewing the DvR database

About this task

View all DvR routes on a Controller or a Leaf node.

The Controller node displays all the IP subnet routes configured for that DvR domain. A Leaf node displays all IP subnet routes learned from the Controller(s) for the Layer 2 VSNs in the DvR Domain. It also displays the Host Routes (ARPs) learned from other DvR enabled nodes.

Before you begin

Ensure that you enable DvR on the node.

Procedure

1. In the navigation pane, expand the **Configuration > Edit** folders.
2. Click **DVR**.
3. Click the **Database** tab.
4. **(Optional)** To filter the rows based on the specific criteria, click **Filter**.

Database field descriptions

Use the data in the following table to use the Database tab.

Name	Description
DestIpAddrType	Specifies the address type of the IPv4 destination address of the DvR database entry.
DestIpAddr	Specifies the IPv4 destination address of the DvR database entry.
DestMask	Specifies the destination mask of the DvR database entry.

Table continues...

Name	Description
L3lsid	Specifies the Layer 3 I-SID of the DvR database entry.
EcmpIndex	Specifies the ECMP index for the DvR database entry.
NextHop	Specifies the MAC address of the next hop BEB, in the DvR database entry.
L2lsid	Specifies the Layer 2 I-SID of the DvR database entry.
Vrfid	Specifies the VRF ID for the DvR database entry.
OutgoingInterface	Specifies the outgoing interface (port or MLT) of the DvR database entry.
SpbCost	Specifies the SPB cost of the DvR database entry.
PrefixCost	Specifies the prefix cost of the DvR database entry.
NextHopName	Specifies the host name of the next hop BEB, in the DvR database table entry.
Age	Specifies the uptime since creation of the DvR database table entry.

Viewing DvR backbone entries on a Controller

About this task

View the DvR backbone entries (redistributed host routes) learned from all Controllers in all DvR domains.

Note:

You can view DvR backbone entries only on a Controller. Viewing backbone entries does not apply to a Leaf node.

Before you begin

Ensure that you enable DvR globally on the node.

Procedure

1. In the navigation pane, expand the **Configuration > Edit** folders.
2. Click **DVR**.
3. Click the **Backbone Entries** tab.
4. **(Optional)** To filter the rows based on the specific criteria, click **Filter**.

Backbone Entries field descriptions

Use the data in the following table to use the Backbone Entries tab.

Name	Description
IpAddrType	Specifies the address type of the DvR backbone host (IPv4 remote ARP).
IpAddr	Specifies the IPv4 address of the DvR backbone host.
L3Isid	Specifies the L3 I-SID of the DvR backbone host.
DomainId	Specifies the domain ID of the DvR backbone host.
EcmpIndex	Specifies the ECMP index of the DvR backbone host.
HostMacAddr	Specifies the MAC address of DvR backbone host.
L2Isid	Specifies the L2 I-SID of the DvR backbone host.
AdvControllerName	Specifies the host name of the advertising Controller.
AdvController	Specifies the host MAC address of the advertising Controller.
NextHopName	Specifies the host name of the next hop Backbone host in the DvR route.
NextHopMac	Specifies the MAC address of the next hop Backbone host in the DvR route.

Chapter 6: ARP configuration using the CLI

Network stations that use IP protocol require both a physical address and an IP address to transmit packets. In situations where the station knows only the network host IP address, the Address Resolution Protocol (ARP) lets you use the network station to determine a network host physical address by binding a 32-bit IP address to a 48-bit MAC address.

A network station can use ARP across a single network only, and the network hardware must support physical broadcasts. If a network station wants to send a packet to a host but knows only the host IP address, the network station uses ARP to determine the host physical address.

ARP response is enabled by default.

Enabling ARP on a port or a VLAN

Enable ARP on the device so that it answers local ARP requests.

About this task

You can enable or disable ARP responses on the device. You can also enable ARP proxy, which lets a router answer a local ARP request for a remote destination.

Procedure

1. Enter Interface Configuration mode:

```
enable  
configure terminal  
interface GigabitEthernet {slot/port[/sub-port] [-slot/port[/sub-  
port]][, ...]} or interface vlan <1-4059>
```

*** Note:**

If your platform supports channelization and the port is channelized, you must also specify the sub-port in the format slot/port/sub-port.

2. Enable ARP on the device:

```
ip arp-response
```

Example

```
Switch:1>enable
Switch:1#configure terminal
Switch:1(config)#interface vlan 200
Switch:1(config-if)#ip arp-response
```

Enabling ARP proxy

About this task

Configure an ARP proxy to allow the platform to answer a local ARP request for a remote destination. ARP proxy is disabled by default.

Procedure

1. Enter Interface Configuration mode:

```
enable

configure terminal

interface GigabitEthernet {slot/port[/sub-port] [-slot/port[/sub-
port]] [, ...]} or interface vlan <1-4059>
```

*** Note:**

If your platform supports channelization and the port is channelized, you must also specify the sub-port in the format slot/port/sub-port.

2. Enable ARP proxy on the device:

```
ip arp-proxy enable
```

Use the `no` operator to disable ARP proxy: `no ip arp-proxy [enable]`

Example

Enable ARP proxy on VLAN 200:

```
Switch:1>enable
Switch:1#configure terminal
Switch:1(config)#interface vlan 200
Switch:1(config-if)#ip arp-proxy enable
```

Showing ARP information

The `show ip arp` command displays all of the configured and dynamically learned ARP entries in the ARP table.

About this task

When you use the interface parameter with the `show ip arp` command you can display ARP configuration information only for a specific switch.

Procedure

1. Enter either Global Configuration mode or VRF Router Configuration mode for a specific VRF context:

```
enable
configure terminal
router vrf WORD<1-16>
```

2. Display ARP information for a specified port or for all ports:

```
show ip arp interface [slot/port[/sub-port]] [-slot/port[/sub-port]]
[,...]]
```

3. Display ARP information for a VLAN:

```
show ip arp interface vlan <1-4059>
```

Example

```
Switch:1>enable
Switch:1#configure terminal
Switch:1#interface vlan 200
Switch:1(config-if)#show ip arp interface
```

```
=====
                                Port Arp
=====
```

PORT_NUM	DOPROXY	DORESP
1/1	false	true
1/2	false	true
1/3	false	true
1/4	false	true
1/5	false	true
1/6	false	true
1/7	false	true
1/8	false	true
1/9	false	true
1/10	false	true
1/11	false	true
1/12	false	true
1/13	false	true
1/14	false	true
1/15	false	true
1/16	false	true
1/17	false	true

```
-----
--More-- (q = quit)
```

Variable definitions

Use the data in the following table to use the `show ip arp` command.

Variable	Value
A.B.C.D	Specifies the IP address of a network.
{slot/port[/sub-port][/-slot/port[/sub-port]][,...]}	Identifies the slot and port in one of the following formats: a single slot and port (slot/port), a range of slots and ports (slot/port-slot/port), or a series of slots and ports (slot/port,slot/port,slot/port). If your platform supports channelization and the port is channelized, you must also specify the sub-port in the format slot/port/sub-port.
interface	Displays ARP interface configuration information.
spbm-tunnel-as-mac	Displays the remote host name in the TUNNEL column for the SPBM ARP entry.
-s	Specifies a subnet. You must indicate the IP address followed by the subnet mask expressed as <A.B.C.D> <A.B.C.D>.
vlan <1-4059>	Displays ARP entries for a particular VLAN ID. Specifies the VLAN ID in the range of 1 to 4059. By default, VLAN IDs 1 to 4059 are configurable and the system reserves VLAN IDs 4060 to 4094 for internal use. On switches that support the vrf-scaling and spbm-config-mode boot configuration flags, if you enable these flags, the system also reserves VLAN IDs 3500 to 3998. VLAN ID 1 is the default VLAN and you cannot create or delete VLAN ID 1.
vrf WORD<1-16>	Specifies a VRF name expressed as text from 1 to 16 characters in length. The total number of ARPs listed in the summary line of the show ip arp output represents the total number of ARPs on the chassis, including all VRFs (which includes the Management Router VRF).
vrfids WORD<0-512>	Specifies a range of VRFIDs as text from 0 to 512 characters in length. The total number of ARPs listed in the summary line of the show ip arp output represents the total number of ARPs on the chassis, including all VRFs (which includes the Management Router VRF).

Use the data in the following table to help you understand the **show ip arp interface** command output.

Variable	Value
PORT_NUM	Indicates the port number.
DOPROXY	Indicates if ARP proxy responses are enabled or disabled on the specified interface.

Table continues...

Variable	Value
DORESP	Indicates if the sending of ARP responses is enabled or disabled on the specified interface.

Use the data in the following table to help you understand the `show ip arp interface vlan` command output.

Variable	Value
VLAN_ID	Indicates the VLAN ID.
DOPROXY	Indicates if ARP proxy responses are enabled or disabled on the specified interface.
DORESP	Indicates if the sending of ARP responses is enabled or disabled on the specified interface.

Configuring IP ARP static entries

About this task

Configure ARP static entries to modify the ARP parameters on the device. The only way to change a static ARP is to delete the static ARP entry and create a new entry with new information.

* Note:

Static multicast ARP entries are not supported for NLB Unicast or NLB Multicast operations.

Procedure

1. Enter either Global Configuration mode or VRF Router Configuration mode for a specific VRF context:

```
enable
configure terminal
router vrf WORD<1-16>
```

2. Configure ARP static entries on the device:

```
ip arp <A.B.C.D> 0x00:0x00:0x00:0x00:0x00:0x00 {slot/port[-slot/
port][,...]}
```

Example

Configure ARP static entries:

```
Switch:1>enable
Switch:1#configure terminal
Switch:1(config)#ip arp 192.0.2.10 00-16-76-7D-80-C2 2/1
```


Variable definitions

Use the data in the following table to use the `ip arp` command.

Table 7: Variable definitions

Variable	Value
request-threshold <50-1000>	Configures the maximum number of outstanding ARP requests that a device can generate. The range is 50–1000. The default value is 500. To configure this option to the default value, use the default operator with this command.
timeout <1-32767>	Configures the length of time in seconds an entry remains in the ARP table before timeout. The range is 1–32767. To configure this option to the default value, use the default operator with this command. * Note: The aging of ARP records is tied to the aging of MAC records. The ARP record for a given IP address is not removed unless the associated MAC record ages out and the router stops receiving a response to ARP requests for that IP address. In cases where the ARP aging time is set to less than the MAC aging time, the switch waits until the MAC ages out before deleting the ARP for an inactive host.
<A.B.C.D>	Adds ARP entries.

Clearing ARP entries

Use this procedure to clear dynamic ARP table entries associated with the interface or VLAN.

Procedure

1. Enter Privileged EXEC mode:

```
enable
```

2. Clear ARP entries:

```
clear ip arp interface <gigabitethernet|vlan> <slot/port[/sub-port]
[-slot/port[/sub-port]][, ...] <1-4059>>
```

Example

Clear ARP entries:

```
Switch:1> enable
Switch:1# clear ip arp interface gigabitethernet 1/16
```

Variable definitions

Use the data in the following table to use the `clear ip arp interface` command.

Variable	Value
<1-4059>	Specifies the VLAN ID in the range of 1 to 4059. By default, VLAN IDs 1 to 4059 are configurable and the system reserves VLAN IDs 4060 to 4094 for internal use. On switches that support the vrf-scaling and spbm-config-mode boot configuration flags, if you enable these flags, the system also reserves VLAN IDs 3500 to 3998. VLAN ID 1 is the default VLAN and you cannot create or delete VLAN ID 1.
gigabitethernet vlan	Specifies the interface type.
{slot/port[/sub-port][/-slot/port[/sub-port]][,...]}	Identifies the slot and port in one of the following formats: a single slot and port (slot/port), a range of slots and ports (slot/port-slot/port), or a series of slots and ports (slot/port,slot/port,slot/port). If your platform supports channelization and the port is channelized, you must also specify the sub-port in the format slot/port/sub-port.

Showing ARP table information

Show ARP information to view the configuration information in the ARP table.

About this task

When you use the interface parameter with the `show ip arp` command you can display ARP configuration information only for a specific switch.

The `show ip arp` command displays all of the configured and dynamically learned ARP entries in the ARP table.

Procedure

1. Enter Privileged EXEC mode:

```
enable
```

2. Display the ARP table:

```
show ip arp [<A.B.C.D>] [-s <A.B.C.D>] [gigabitEthernet <slot/port[/sub-port>] [interface <gigabitethernet|vlan>] [spbm-tunnel-as-mac] [vlan <1-4059>] [vrf WORD<1-16>] [vrfids WORD<0-512>]
```

Example

Switch:1#show ip arp

```

=====
                        IP Arp - GlobalRouter
=====
IP_ADDRESS      MAC_ADDRESS      VLAN  PORT              TYPE      TTL(10 Sec)  TUNNEL
-----
192.0.2.1      00:09:0f:09:00:08  20   1/3              DYNAMIC
2159
192.0.2.12     b4:a9:5a:ff:f8:40  20   1/3              DYNAMIC
458
192.0.2.25     e4:5d:52:3c:65:00  20   -                LOCAL
2160
192.0.2.154    d4:ea:0e:c2:08:00  20   1/3              DYNAMIC
2131
192.0.2.157    00:1c:17:b1:ec:80  20   1/3              DYNAMIC
2131
192.0.2.161    fc:a8:41:fb:40:00  20   1/3              DYNAMIC
2131
192.0.2.253    e0:db:55:d4:e5:7c  20   1/3              DYNAMIC
2041
192.0.2.255    ff:ff:ff:ff:ff:ff  20   -                LOCAL
2160

=====
                        IP Arp Extn - GlobalRouter
=====
MULTICAST-MAC-FLOODING  AGING (Minutes)  ARP-THRESHOLD
-----
disable                  360              500

c: customer vid   u: untagged-traffic

8 out of 8 ARP entries displayed

ARPs on TX-NNI: Current = 0, re-ARP count = 0

```

Variable definitions

Use the data in the following table to help you use the **show ip arp** command.

Variable	Value
-s	Specifies the subnet for the table.
gigabitEthernet	Displays the entries for a particular brouter port.
interface	<p>Displays ARP interface configuration information.</p> <p>Use the following parameters to display ARP table information specifically for:</p> <ul style="list-style-type: none"> gigabitEthernet {slot/port[-slot/port][,...]} displays IP ARP gigabitEthernet interface information VLAN <1-4059> displays IP ARP VLAN interface information <p>Example: show ip arp interface vlan 1</p>

Table continues...

Variable	Value
spbm-tunnel-as-mac	Displays the remote host name in the TUNNEL column for the SPBM ARP entry.
vlan	<p>Specifies the VLAN ID in the range of 1 to 4059. By default, VLAN IDs 1 to 4059 are configurable and the system reserves VLAN IDs 4060 to 4094 for internal use. On switches that support the vrf-scaling and spbm-config-mode boot configuration flags, if you enable these flags, the system also reserves VLAN IDs 3500 to 3998. VLAN ID 1 is the default VLAN and you cannot create or delete VLAN ID 1.</p> <p>Use these parameters to display ARP table information specifically for:</p> <ul style="list-style-type: none"> vrf WORD<1-16>—the VLAN VRF name in a range from 1 to 16 characters vrfids WORD<0-512>—the VLAN VRF ID in a range from 0 to 512 <p>Example: <code>show ip arp vlan 1 vrf 1</code></p>
vrf WORD <1-16>	<p>Specifies the name of the VRF.</p> <p>The total number of ARPs listed in the summary line of the "show ip arp" display represents the total number of ARPs on the chassis including all VRFs.</p>
vrfids WORD <0-512>	<p>Specifies the VRF ID.</p> <p>The total number of ARPs listed in the summary line of the "show ip arp" display represents the total number of ARPs on the chassis including all VRFs.</p>
<A.B.C.D>	Specifies the network IP address for the table.

Use the data in the following table to help you understand the output of the `show ip arp` command.

Parameter	Description
IP_ADDRESS	Indicates the IP address where ARP is configured.
MAC_ADDRESS	Indicates the MAC address where ARP is configured.
VLAN	Indicates the VLAN address where ARP is configured.
PORT	Indicates the port where ARP is configured.
TYPE	Indicates the type of learning (dynamic or local) where ARP is configured.
TTL<10 secs>	Indicates the time to live as tenths of a second where ARP is configured.
TUNNEL	Displays the remote host name in the TUNNEL column for the SPBM ARP entry.
MULTICAST-MAC-FLOODING	Displays whether IP ARP multicast MAC flooding is enabled or disabled. When enabled, the ARP entries for multicast MAC addresses are associated with the VLAN or port interface on which they were learned.

Table continues...

Parameter	Description
AGING (Minutes)	Displays when the ARP aging timer expires.
ARP-THRESHOLD	Displays the maximum number of outstanding ARP requests that a device can generate.

Configuring Gratuitous ARP

Use the following procedure to configure Gratuitous Address Resolution Protocol (ARP). When Gratuitous ARP is enabled the switch allows all Gratuitous ARP request packets. The default is enabled.

If you disable Gratuitous ARP, the switch only allows Gratuitous ARP packets associated with Routed Split Multi-Link Trunking (RSMLT) or Virtual Router Redundancy Protocol (VRRP), and the switch discards all other Gratuitous ARP request packets.

About this task

ARP translates network layer (layer 3) IP addresses into link layer (layer 2) MAC addresses. A host sends a Gratuitous ARP request packet to inform other hosts of the existence of an interface on the network, so other local hosts can update their ARP tables. If the IP or MAC address changes, or in the event of a failover, a host sends a Gratuitous ARP request packet to inform other hosts to update their ARP tables.

VRRP and RSMLT use gratuitous ARP to update the MAC address tables on switches.

Procedure

1. Enter Global Configuration mode:

```
enable
configure terminal
```

2. Enable Gratuitous ARP:

```
ip gratuitous-arp
```

3. **(Optional)** Disable Gratuitous ARP:

```
no ip gratuitous-arp
```

4. **(Optional)** Configure Gratuitous ARP to the default value:

```
default ip gratuitous-arp
```

5. Save the changed configuration.

```
save config [backup WORD<1-99>] [file WORD<1-99>] [verbose]
```

Chapter 7: ARP configuration using Enterprise Device Manager

Network stations using the IP protocol need both a physical address and an IP address to transmit a packet. In situations where the station knows only the network host IP address, the network station can use Address Resolution Protocol (ARP) to determine a network host physical address by binding a 32-bit IP address to a 48-bit MAC address. A network station can use ARP across a single network only, and the network hardware must support physical broadcasts. If a network station wants to send a packet to a host but knows only the host IP address, the network station uses ARP to determine the host physical address.

Enabling or disabling ARP on the router port or a VRF instance

About this task

After you assign the IP address, you can configure ARP. By default, ARP Response is enabled and Proxy ARP is disabled.

Procedure

1. In the Device Physical View tab, select a port.
2. In the navigation tree, expand the following folders: **Configuration > Edit > Port**.
3. Click **IP**.
4. Click the **ARP** tab.
5. In the **DoProxy** check box, select **enable** to enable the Proxy ARP function.
6. In the **DoResp** check box, select **enable** to configure the system to respond to an ARP. The default is enable.
7. Click **Apply**.

The ARP function is available only when the port or VLAN is routed; that is, it is assigned an IP address.

ARP field descriptions

Use the data in the following table to use the **ARP** tab fields.

Name	Description
DoProxy	Configures the system to respond to an ARP request from a locally attached host or end station for a remote destination. The default value is disable.
DoResp	Configures the system to send ARP responses for this IP interface address. The default value is enable.

Enabling or disabling ARP on a VLAN or a VRF instance

About this task

Use the following procedure to enable ARP on VLAN level.

Procedure

1. In the navigation tree, expand the following folders: **Configuration > VLAN**.
2. Click **VLANs > Basic**.
3. Select a VLAN.
4. Click **IP**.
5. Click the **ARP** tab.
6. In the **DoProxy** field, click **enable** to enable the Proxy ARP function.
7. In the **DoResp** field, click **enable** to configure the system to respond to an ARP. The default is enable.
8. Click **Apply**.

The ARP dialog box is available only if the port or VLAN is routed; that is, it is assigned an IP address.

ARP field descriptions

Use the data in the following table to use the **ARP** tab.

Name	Description
DoProxy	Configures the system to respond to an ARP request from a locally attached host or end station for a remote destination. The default value is disable.
DoResp	Configures the system to send ARP responses for this IP interface address. The default value is enable.

Viewing and managing ARP

About this task

You can view and manage known MAC address to IP address associations. In addition, you can create or delete individual ARP entries.

Procedure

1. In the navigation tree, expand the following folders: **Configuration > IP**.
2. Click **IP**.
3. Click the **ARP** tab.

ARP field descriptions

Use the data in the following table to use the ARP tab.

Name	Description
NetAddress	Specifies the IP address corresponding to the media-dependent physical address.
IfIndex	Identifies the router interface for this ARP entry: <ul style="list-style-type: none"> • Brouter interfaces are identified by the slot/port number of the brouter port. • VLAN interfaces are identified by the vlan name.
PhysAddress	Specifies the media-dependent physical address (that is, the Ethernet address).
Type	Specifies the type of ARP entry: <ul style="list-style-type: none"> • local—a locally configured ARP entry • static—a statically configured ARP entry • dynamic—a learned ARP entry
TimeToLive	Indicates the time to live where the ARP is configured.
DestIfIndex	Indicates the slot/port on which the ARP entry was learned. For brouter interfaces this is the same value as IfIndex, but for VLAN interfaces, it designates the particular port in the VLAN on which the ARP was learned.
DestVlanId	VLAN ID where the ARP is configured.
BMac	Identifies the backbone MAC address if the entry is learned from an SPBM network.
DestCvid	Identifies the customer VLAN ID for a Switched UNI port.

Creating static ARP entries

About this task

Use the following procedure to create a static ARP entry.

*** Note:**

Static multicast ARP entries are not supported for NLB Unicast or NLB Multicast operations.

Procedure

1. In the navigation tree, expand the following folders: **Configuration > IP**.
2. Click **IP**.
3. Click the **ARP** tab.
4. Click **Insert**.
5. In the **NetAddress** field, type the IP address.
6. Click **Port**.
OR
Click **Port in VLAN**
7. In the dialog box, select the interface.
8. Click **OK**.
9. In the **PhysAddress** field, type the MAC address.
10. Click **Insert**.

Configuring ARP proxy

About this task

With an ARP proxy, the switch can respond to an ARP request from a locally attached host or end station for a remote destination. Proxy ARP does so by sending an ARP response back to the local host with its own MAC address of the router interface for the subnet on which the ARP request was received. The reply is generated only if the system has an active route to the destination network.

Procedure

1. In the navigation tree, expand the following folders: **Configuration > VLAN**.
2. Click **VLANs > Basic**.
3. Choose a VLAN.
4. Click **IP**.
5. Click **ARP** tab.
6. Select **DoProxy enable**.
7. Click **Apply**.

Chapter 8: DHCP and UDP configuration using the CLI

Use Dynamic Host Configuration Protocol (DHCP), an extension of the Bootstrap Protocol (BootP), to provide host configuration information to the workstations dynamically. Use the DHCP relay commands to configure DHCP relay behavior on a port or on a VLAN.

This section describes CLI commands for DHCP and User Datagram Protocol (UDP) configuration.

Configuring DHCP parameters globally

Before you begin

- Configure an IP address on the interface to be used as the DHCP relay interface.

About this task

Configure DHCP relay parameters for the port or the VLAN.

Procedure

1. Enter Global Configuration mode:

```
enable
configure terminal
```

2. Create the forwarding path from the client to the server:

```
ip dhcp-relay fwd-path <A.B.C.D> <A.B.C.D>
```

3. Enable the forwarding path from the client to the server:

```
ip dhcp-relay fwd-path <A.B.C.D> <A.B.C.D> enable
```

4. Modify DHCP mode to forward BootP messages only, DHCP messages only, or both:

```
ip dhcp-relay fwd-path <A.B.C.D> <A.B.C.D> mode <bootp|bootp_dhcp|dhcp>
```

Example

Create the forwarding path from the client to the server. Enable the forwarding path from the client to the server. Modify DHCP mode to forward both BootP and DHCP messages.

```
Switch:1>enable
Switch:1#configure terminal
Switch:1(config)#ip dhcp-relay fwd-path 192.0.2.120 192.0.2.50
Switch:1(config)#ip dhcp-relay fwd-path 192.0.2.128 192.0.2.50 enable
Switch:1(config)#ip dhcp-relay fwd-path 192.0.2.128 192.0.2.50 mode bootp_dhcp
```

Variable definitions

Use the data in the following table to use the `ip dhcp-relay fwd-path` command.

Table 8: Variable definitions

Variable	Value
<code>fwd-path <A.B.C.D> <A.B.C.D></code>	<p>Configures the forwarding path from the client to the server.</p> <p>The first A.B.C.D variable is the IP address configured on an interface (a locally configured IP address) to forward or relay BootP or DHCP.</p> <p>The second A.B.C.D variable is the IP address of the DHCP server in the network. If this IP address corresponds to the locally configured IP network, the DHCP packet is broadcast out from the interface.</p> <p>Use the <code>no</code> operator to delete the forwarding path from the client to the server: <code>no ip dhcp-relay fwd-path <A.B.C.D> <A.B.C.D></code>.</p> <p>Use the default operator to configure the forwarding path to the default value: <code>default ip dhcp-relay fwd-path <A.B.C.D> <A.B.C.D></code>.</p>
<code>fwd-path <A.B.C.D> <A.B.C.D> disable</code>	<p>Disables DHCP relaying on the path from the IP address to the server. This feature is disabled by default.</p> <p>The first A.B.C.D variable is the IP address configured on an interface (a locally configured IP address).</p> <p>The second A.B.C.D variable is the IP address of the DHCP server in the network.</p>
<code>fwd-path <A.B.C.D> <A.B.C.D> enable</code>	<p>Enables DHCP relaying on the path from the IP address to the server.</p> <p>The first A.B.C.D variable is the IP address configured on an interface (a locally configured IP address).</p> <p>The second A.B.C.D variable is the IP address of the DHCP server in the network. If this IP address corresponds to the locally</p>

Table continues...

Variable	Value
	configured IP network, the DHCP packet is broadcast out from the interface. Use the no operator to disable DHCP: no ip dhcp-relay fwd-path <A.B.C.D> <A.B.C.D> enable.
fwd-path <A.B.C.D> <A.B.C.D> mode <bootp bootp_dhcp dhcp>	Modifies DHCP mode to forward BootP messages only, DHCP messages only, or both. The default is both. The mode is {bootp bootp_dhcp dhcp}.

Showing DHCP relay information

Display relay information to show relay information about DHCP routes and counters.

For scaling information on DHCP Relay forwarding (IPv4 or IPv6), see *Release Notes*.

Procedure

1. Enter Privileged EXEC mode:

```
enable
```

2. Display information about DHCP relay forward paths:

```
show ip dhcp-relay fwd-path [vrf WORD<1-16>] [vrfids WORD<0-512>]
```

3. Display information about DHCP relay counters:

```
show ip dhcp-relay counters [vrf WORD<1-16>] [vrfids WORD<0-512>]
```

4. Display the options for each listed interface:

```
show ip dhcp-relay interface [gigabitethernet {slot/port[/sub-port]
[-slot/port[/sub-port]][,...]] [vlan <1-4059>] [vrf WORD <1-16>]
[vrfids WORD <0-512>]
```

Example

```
Switch:1>enable
Switch:1#configure terminal
Enter configuration commands, one per line. End with CNTL/Z.
Switch:1#show ip dhcp-relay interface
```

```
=====
Port Dhcp
=====
PORT VRF          MAX MIN          ALWAYS CIRCUIT REMOTE TRUST
NUM  NAME          ENABLE HOP SEC        BCAST  ID          ID      CIRC
-----
=====
Vlan Dhcp
=====
```

```

VLAN VRF          MAX MIN          ALWAYS CIRCUIT REMOTE TRUST
ID   NAME          ENABLE HOP SEC   MODE   BCAST  ID      ID      CIRC
-----
All 0 out of 0 of Vlan Dhcp Entries displayed

```

Variable definitions

Use the data in the following table to use the `show ip dhcp-relay` command.

Variable	Value
<code>vrf WORD<1-16></code>	The name of the VRF.
<code>vrfids WORD<0-512></code>	The ID of the VRF. The value is an integer in the range of 0–512.

Use the data in the following table to use the `show ip dhcp-relay interface` command.

Variable	Value
<code>{slot/port[/sub-port][/-slot/port[/sub-port]][,....]}</code>	Identifies the slot and port in one of the following formats: a single slot and port (slot/port), a range of slots and ports (slot/port-slot/port), or a series of slots and ports (slot/port,slot/port,slot/port). If your platform supports channelization and the port is channelized, you must also specify the sub-port in the format slot/port/sub-port.
<code>[vlan <1-4059>]</code>	Specifies the VLAN ID in the range of 1 to 4059. By default, VLAN IDs 1 to 4059 are configurable and the system reserves VLAN IDs 4060 to 4094 for internal use. On switches that support the <code>vrf-scaling</code> and <code>spbm-config-mode boot</code> configuration flags, if you enable these flags, the system also reserves VLAN IDs 3500 to 3998. VLAN ID 1 is the default VLAN and you cannot create or delete VLAN ID 1.
<code>[vrf WORD<1-16>]</code>	Specifies the name of the VRF.
<code>[vrfids WORD<0-512>]</code>	Specifies the ID of the VRF. The value is an integer from 0– 512.

Configuring DHCP option 82

Configure the DHCP option 82 to enable the circuit ID to encode an agent-local identifier of the circuit from which a DHCP client-to-server packet is received. Configure the DHCP option 82 to enable the remote ID to encode the MAC address of the interface on which the packet is received. By default, the DHCP option 82 is disabled.

Before you begin

- You must enable ip and dhcp-relay on the VLAN.

About this task

To configure the DHCP option 82 on a VLAN, you must enter the VLAN Interface Configuration mode.

To configure the DHCP option 82 on a brouter port, you must enter the GigabitEthernet Interface Configuration mode.

Procedure

1. Enter Interface Configuration mode:

```
enable

configure terminal

interface GigabitEthernet {slot/port[/sub-port] [-slot/port[/sub-
port]][, ...]} Or interface vlan <1-4059>
```

* Note:

If your platform supports channelization and the port is channelized, you must also specify the sub-port in the format slot/port/sub-port.

2. Enable the circuit ID:

```
ip dhcp-relay circuitID
```

3. Enable the remote ID:

```
ip dhcp-relay remoteID
```

4. Configure the circuit as trusted:

```
ip dhcp-relay trusted
```

5. Show statistics for option 82, which is the relay agent information option:

```
show ip dhcp-relay counters option82 [vrf WORD <0-16>] [vrfids WORD
<0-512>]
```

Example

```
Switch:1> enable
Switch:1# configure terminal
Switch:1(config)# interface gigabitethernet 1/10
```

Enable the circuit ID:

```
Switch:1(config-if)# ip dhcp-relay circuitID
```

Enable the remote ID:

```
Switch:1(config-if)# ip dhcp-relay remoteID
```

Configure the circuit as trusted:

```
Switch:1(config-if)# ip dhcp-relay trusted
```

Show statistics for option 82, which is the relay agent information option:

```
Switch:1(config-if)# show ip dhcp-relay counters option82
```

Variable definitions

Use the data in the following table to configure the DHCP option 82.

Table 9: Variable definitions

Variable	Value
circuitID	Enables the Circuit ID.
remoteID	Enables the Remote ID.
trusted	Sets the circuit as trusted.

Use the data in the following table to use the `show ip dhcp-relay counters option82 [vrf WORD <0-16>] [vrfids WORD <0-512>]` command.

Variable	Value
vrf WORD <0-16>	Displays DHCP counters for a particular VRF. WORD <0-16> specifies the VRF name.
vrfids WORD <0-512>	Displays a DHCP forward path for a particular VRF. WORD <0-512> specifies the VRF ID.

Configuring DHCP relay on a port or VLAN

You can view and configure the DHCP parameters on specific ports or on a VLAN.

Before you begin

- You must configure IP on the interface.

Procedure

- Enter Interface Configuration mode:

```
enable
```

```
configure terminal
```

```
interface GigabitEthernet {slot/port[/sub-port] [-slot/port[/sub-port]] [, ...]} or interface vlan <1-4059>
```

Note:

If your platform supports channelization and the port is channelized, you must also specify the sub-port in the format slot/port/sub-port.

2. Enable DHCP parameters on a specified port or VLAN:

```
ip dhcp-relay
```

Example

```
Switch:1> enable
Switch:1# configure terminal
Switch:1(config)# interface gigabitethernet 1/10
```

Enable DHCP parameters on a specified port or VLAN:

```
Switch:1(config-if)# ip dhcp-relay
```

Variable definitions

Use the data in the following table to use the `ip dhcp-relay` command.

Use the `no` operator to disable DHCP parameters on specified ports: `no ip dhcp-relay`.

*** Note:**

The `no ip dhcp-relay` command disables DHCP Relay, it does not delete the DHCP entry.

To configure this option to the default value, use the default operator with this command.

Variable	Value
broadcast	Enables the device to send the server reply as a broadcast to the end station. After you disable this variable, the device sends the server reply as a unicast to the end station. Use the <code>no</code> operator to disable broadcast: <code>no ip dhcp-relay broadcast</code> . To configure this option to the default value, use the default operator with this command.
circuitId	Enables Option 82 circuit ID on the interface.
clear-counters	Clears DHCP Relay counters for the interface.
fwd-path <A.B.C.D> [vrid <1-255>]	Creates a forward path server with a virtual router ID (or VRRP ID), a mode, and a state. A.B.C.D is the IP address. vrid <1-255> is the ID of the virtual router and is an integer from 1 to 255. Use the <code>no</code> operator to delete a forward path server with a specific value and virtual router ID: <code>no ip dhcp-relay fwd-path <A.B.C.D> [vrid <1-255>]</code> To configure this option to the default value, use the default operator with this command.
fwd-path <A.B.C.D> disable [vrid <1-255>]	Disables a forward path server with a specific value and virtual router ID.

Table continues...

Variable	Value
	A.B.C.D is the IP address. vrid <1-255> is the ID of the virtual router (or VRRP ID) and is an integer from 1 to 255.
fwd-path <A.B.C.D> enable [vrid <1-255>]	Enables a forward path server with a specific value and virtual router ID (or VRRP ID). A.B.C.D is the IP address in the form a.b.c.d. vrid <1-255> is the ID of the virtual router and is an integer from 1 to 255.
fwd-path <A.B.C.D> mode <bootp bootp_dhcp dhcp> [vrid <1-255>]	Configures the forward path mode for a VLAN. This command string is available only in VLAN Interface Configuration mode. A.B.C.D is the IP address in the form a.b.c.d. mode is a choice of bootp, dhcp, or bootp_dhcp. vrid <1-255> is the ID of the virtual router (or VRRP ID) and is an integer from 1 to 255. To configure this option to the default value, use the default operator with this command.
max-hop <1-16>	Configures the maximum number of hops before a BootP/DHCP packet is discarded (1 to 16). The default is 4. To configure this option to the default value, use the default operator with this command.
min-sec <0-65535>	Configures the minimum seconds count for DHCP. If the secs field in the BootP/DHCP packet header is greater than this value, the device relays or forwards the packet; otherwise, the packet is dropped (0 to 65535). The default is 0 seconds. To configure this option to the default value, use the default operator with this command.
mode <bootp bootp_dhcp dhcp>	Configures DHCP mode to forward BootP messages only, DHCP messages only, or both. The default is both. To configure this option to the default value, use the default operator with this command.
remoteld	Enables Option82 remote ID on the interface.
trusted	Configures the DHCP circuit as trusted.

Configuring UDP broadcast forwarding

About this task

By default, routers do not forward broadcasts. UDP broadcast forwarding is a generalized mechanism for the router to selectively forward UDP broadcasts. You must set up UDP broadcast

forwarding on the system. Configure UDP broadcast forwarding to forward the UDP broadcasts of network applications to the required server through physical or virtual router interfaces.

Procedure

1. Enter protocols into a table.
2. Create policies (protocol/server pairs).
3. Assemble the policies into lists or profiles.
4. Apply the list to the appropriate interfaces.

Configuring UDP protocols

About this task

Configure UDP protocols to determine which UDP broadcasts are forwarded.

Procedure

1. Enter either Global Configuration mode or VRF Router Configuration mode for a specific VRF context:

```
enable
configure terminal
router vrf WORD<1-16>
```

2. Configure a UDP protocol:

```
ip forward-protocol udp <1-65535> WORD<1-15>
```

3. Confirm your configuration:

```
show ip forward-protocol udp interface [vrf WORD<0-16>] | [vrfids
WORD<0-512>] portfwd [vrf WORD<0-16>] | [vrfids WORD<0-512>]
portfwdlist <1-1000> [vrf WORD<0-16>] | [vrfids WORD<0-512>] vrf
WORD<0-16> vrfids WORD<0-512>
```

Example

Configure a UDP protocol and confirm your configuration.

```
Switch:1>enable
Switch:1#configure terminal
Switch:1(config)#ip forward-protocol udp 53 DNS
Switch:1(config)#show ip forward-protocol udp
```

```
=====
                        Udp Protocol Tbl - GlobalRouter
=====
UDP_PORT  PROTOCOL_NAME
-----
37         Time Service
49         TACACS Service
```

53	DNS
69	TFTP
137	NetBIOS NameSrv
138	NetBIOS DataSrv

Variable definitions

Use the data in the following table to use the `ip forward-protocol udp` command.

Variable	Value
<1-65535> WORD<1-15>	Creates a new UDP protocol. <1-65535> WORD<1-15> is the UDP protocol name as a string. Use the no operator to delete a UDP protocol no ip forward-protocol udp <1-65535>.
portfwd	Displays portfwd information.
portfwdlist	Displays port forward list information.
vrf WORD<0-16>	Specifies the name of the VRF.
vrfids WORD<0-512>	Specifies the ID of the VRF.

Configuring a UDP port forward entry

Configure a UDP port forward entry to add or remove a port forward entry.

Procedure

1. Enter either Global Configuration mode or VRF Router Configuration mode for a specific VRF context:

```
enable
configure terminal
router vrf WORD<1-16>
```

2. Configure a UDP port forward entry:

```
ip forward-protocol udp portfwd <1-65535> {A.B.C.D}
```

3. Confirm your configuration:

```
show ip forward-protocol udp portfwd [vrf WORD<0-16>] [vrfids WORD<0-512>]
```

Example

Configure a UDP port forward entry:

```
Switch:1>enable
Switch:1#configure terminal
Switch:1(config)#ip forward-protocol udp portfwd 150 192.0.2.10
```

Variable definitions

Use the data in the following table to use the `ip forward-protocol udp portfwd` command.

Variable	Value
<1-65535> {A.B.C.D}	<p>Adds a UDP protocol port to the specified port forwarding list.</p> <p>1-65535 is a UDP protocol port in the range of 1–65535.</p> <p>A.B.C.D is an IP address in a.b.c.d format.</p> <p>Use the <code>no</code> operator to remove a protocol port forwarding entry and IP address from the list: <code>no ip forward-protocol udp portfwd <1-65535> <A.B.C.D></code>.</p> <p>To configure this option to the default value, use the default operator with this command.</p>
vrf WORD<0-16>	Specifies the name of the VRF.
vrfids WORD<0-512>	Specifies the ID of the VRF.

Configuring the UDP port forwarding list

Configure the UDP port forwarding list to assign protocols and servers to the port forward list.

About this task

You can perform this procedure in Global Configuration mode, VLAN Interface Configuration mode, or VRF Router Configuration mode.

Procedure

1. Enter Global Configuration mode:

```
enable
configure terminal
```

2. Configure the UDP port forwarding list:

```
ip forward-protocol udp portfwdlist <1-1000>
```

! Important:

The following two steps are not available in the Global Configuration or VRF Router Configuration mode. The following two commands are available in VLAN Interface Configuration mode only.

3. Enter VLAN Interface Configuration mode:

```
interface vlan <1-4059>
```

4. Configure the broadcast mask:

```
ip forward-protocol udp broadcastmask {A.B.C.D}
```

5. Configure the maximum time to live:

```
ip forward-protocol udp maxttl <1-16>
```

6. Confirm your configuration:

```
show ip forward-protocol udp portfwdlist <1-1000> [vrf WORD<1-16>]
[vrfids WORD<0-512>]
```

Example

```
Switch:1> enable
Switch:1# configure terminal
```

Configure the UDP port forwarding list:

```
Switch:1(config)# ip forward-protocol udp portfwdlist 1
```

Log on to the VLAN interface configuration mode:

```
Switch:1(config)# interface vlan 3
```

Configure the broadcast mask:

```
Switch:1(config-if)# ip forward-protocol udp broadcastmask 192.0.2.255
```

Configure the maximum time to live:

```
Switch:1(config-if)# ip forward-protocol udp maxttl 10
```

Confirm the configuration:

```
Switch:1(config-if)# show ip forward-protocol udp portfwdlist
```

Variable definitions

Use the data in the following table to use the `ip forward-protocol udp portfwdlist` command.

Variable	Value
<1-1000>	Creates a UDP port forwarding list in the range of 1–1000.

Table continues...

Variable	Value
<1-65535> {A.B.C.D}	<p>Adds a UDP protocol port to the specified port forwarding list.</p> <p>1-65535 is a UDP protocol port in the range of 1-65535.</p> <p>A.B.C.D is an IP address in a.b.c.d format.</p> <p>Use the no operator to remove or delete a port forwarding list ID,</p> <pre>no ip forward-protocol udp portfwldlist <1-1000> <1-65535> <A.B.C.D>.</pre> <p>To configure this option to use the default value, use the default operator with this command.</p>
name WORD<0-15>	Changes the name of the port forwarding list.

Use the data in the following table to use the `ip forward-protocol udp` command.

Variable	Value
broadcastmask {A.B.C.D}	<p>Configures the interface broadcast mask (the interface broadcast mask can be different from the interface mask).</p> <p>A.B.C.D is an IP address in a.b.c.d format.</p> <p>Use the no operator to delete the broadcast mask:</p> <pre>no ip forward-protocol udp broadcastmask {A.B.C.D}</pre> <p>To configure this option to the default value, use the default operator with this command.</p>
maxttl <1-16>	Configures the maximum time-to-live value (TTL) for the UDP broadcast forwarded by the interface. The range is 1-16.
portfwldlist <1-1000>	Assigns the list to the VLAN.
vlan <1-4059> [portfwldlist <1-1000>]	<p>Specifies the VLAN ID in the range of 1 to 4059. By default, VLAN IDs 1 to 4059 are configurable and the system reserves VLAN IDs 4060 to 4094 for internal use. On switches that support the vrf-scaling and spbm-config-mode boot configuration flags, if you enable these flags, the system also reserves VLAN IDs 3500 to 3998. VLAN ID 1 is the default VLAN and you cannot create or delete VLAN ID 1.</p> <p>If you use the portfwldlist variable with the VLAN variable, it assigns the list to the specified VLAN, regardless of which VLAN context you currently configure.</p>

Showing UDP forward information

Show UDP forward information to view information about the UDP forwarding characteristics of the device. UDP forwarding only supports 128 entries.

About this task

There are four show options:

- Show the interface information
- Show the port forward information
- Show the port forward list information
- Show the protocol information

Procedure

1. Enter Privileged EXEC mode:

```
enable
```

2. Display information about the UDP interface for all IP addresses or a specified IP address:

```
show ip forward-protocol udp interface [<A.B.C.D>] [vrf WORD<0-16>]
[vrfids WORD<0-512>]
```

3. Display the UDP port forwarding table:

```
show ip forward-protocol udp portfwd [vrf WORD<0-16>] [vrfids
WORD<0-512>]
```

4. Display the UDP port forwarding list table for the specified list or all lists on the device:

```
show ip forward-protocol udp portfwdlist [vrf WORD<0-16>] [vrfids
WORD<0-512>]
```

5. Display the UDP protocol table with the UDP port numbers for each supported or designated protocol:

```
show ip forward-protocol udp [vrf WORD<0-16>] [vrfids WORD<0-512>]
```

Example

Display the UDP protocol table with the UDP port numbers for each supported or designated protocol:

```
Switch:1>enable
Switch:1#show ip forward-protocol udp
```

```
=====
                        Udp Protocol Tbl - GlobalRouter
=====
UDP_PORT  PROTOCOL_NAME
-----
37         Time Service
49         TACACS Service
53         DNS
69         TFTP
137        NetBIOS NameSrv
```

Variable definitions

Use the data in the following table to use the `show ip forward-protocol udp interface` command.

Table 10: Variable definitions

Variable	Value
<A.B.C.D>	Specifies the IP address for the interface in a.b.c.d format.
vrf <i>WORD</i> <0–16>	Specifies the name of the VRF.
vrfids <i>WORD</i> <0–512>	Specifies the ID of the VRF and is an integer in the range of 0 to 512.

Chapter 9: DHCP and UDP configuration using Enterprise Device Manager

Dynamic Host Configuration Protocol (DHCP), an extension of the Bootstrap Protocol (BootP), dynamically provides host configuration information to workstations. To lower administrative overhead, network managers prefer to configure a small number of DHCP servers in a central location. Using few DHCP servers requires the routers connecting to the subnets or bridge (or VLAN) domains to support the BootP/DHCP relay function so that hosts can retrieve the configuration information from servers several router hops away.

User datagram protocol (UDP) is a connectionless protocol that adds reliability and multiplexing to IP. It describes how messages reach application programs within a destination computer. Some network applications, such as the NetBIOS name service, rely on a UDP broadcast to request a service or to locate a service. By default, broadcasts are not forwarded by a router. UDP broadcast forwarding is a generalized mechanism for the router to selectively forward UDP broadcasts.

Important:

BootP/DHCP relays are supported only on IP routed port-based VLANs and protocol-based VLANs.

Before you begin

You must enable DHCP relay on the path for port or VLAN configuration to take effect.

Configuring DHCP on a brouter port or a VRF instance

Before you begin

- You must first enable BootP/DHCP relay on a port (or VLAN).
- You must enable DHCP and forwarding path.
- You must enable IP Routing on the interface.

About this task

Use the DHCP tab to configure the DHCP behavior on a brouter port or a VRF instance. The DHCP tab is available only if the port is routed (that is, assigned an IP address).

Procedure

1. In the Device Physical View tab, select a port.
2. In the navigation tree, expand the following folders: **Configuration > Edit > Port**.
3. Click **IP**.
4. Click the **DHCP Relay** tab.
5. Click **Enable** to select the DHCP option. The default is disable.
6. Configure the other parameters as needed.
7. Click **Apply**.

DHCP field descriptions

Use data from the following table in the DHCP Relay tab.

Name	Description
Enable	Lets you use BootP/DHCP on the port. The default is disable.
MaxHop	Sets the maximum number of hops before a BootP/DHCP packet is discarded (1 to 16). The default is 4.
MinSec	The secs field in the BootP/DHCP packet header represents the elapsed time since the client first sent the message. If the secs field in the packet header is greater than this value, the system relays or forwards the packet; otherwise, the packet is dropped. The default is 0 seconds.
Mode	Sets the interface to process only BootP, only DHCP, or both types of packets. The default is both.
AlwaysBroadcast	When enabled, the server reply is sent as a broadcast back to the end station. The default is disable.
CircuitId	Indicates whether DHCP Relay inserted the option 82 circuit ID information into the DHCP packets before sending the DHCP packets to the DHCP server. The default is disable.
Remoteld	Indicates whether DHCP Relay inserted the option 82 remote ID information into the DHCP packets before sending the DHCP packets to the DHCP server. The default is disable.
Trusted	Indicates if DHCP packets come through a trusted DHCP circuit. Only packets with GIADDR configured to 0 and containing option 82 are forwarded if the circuit is trusted. The default value is false.

Configuring BootP/DHCP on a VLAN or VRF instance

Before you begin

- You must enable IP Routing on the interface.

About this task

Use the DHCP Relay tab to configure the DHCP behavior on a VLAN. The DHCP Relay tab is available only if the VLAN is routed and is assigned an IP address.

Procedure

- In the navigation tree, expand the following folders: **Configuration > VLAN**.
- Click **VLANs > Basic**.
- Select a VLAN.
- Click **IP**.
- Click the **DHCP Relay** tab.
- Select **Enable**.
- Configure the parameters as required.
- Click **Apply**.

DHCP Relay field descriptions

Use the data in the following table to use the **DHCP Relay** tab.

Variable	Value
Enable	Lets you use BootP/DHCP on the port. The default is disable.
MaxHop	Sets the maximum number of hops a BootP/DHCP packet can take from the DHCP client to the DHCP server. The maximum number of hops is 16. The default is 4.
MinSec	Represents the minimum number of seconds to wait between receiving a DHCP packet and forwarding the DHCP packet to the DHCP server. A value of 0 indicates that forwarding is done immediately. The default value is 0.
Mode	Indicates the type of DHCP packet required. The options are: <ul style="list-style-type: none"> bootp dhcp both

Table continues...

Variable	Value
	The default is both.
AlwaysBroadcast	When enabled, the DHCP Reply packets are sent as a broadcast to the DHCP client. The default is disable.
CircuitId	Indicates whether DHCP Relay inserted the option 82 circuit ID information into the DHCP packets before sending the DHCP packets to the DHCP server. The default is disable.
Remoteld	Indicates whether DHCP Relay inserted the option 82 remote ID information into the DHCP packets before sending the DHCP packets to the DHCP server. The default is disable.
Trusted	Indicates if DHCP packets come through a trusted DHCP circuit. Only packets with GIADDR configured to 0 and containing option 82 are forwarded if the circuit is trusted. The default value is false.

Configuring DHCP relay

About this task

After you configure the BootP/DHCP relay on an IP interface, you can configure forwarding paths to indicate where packets are forwarded. The forwarding paths are based on the type of packet and where the packet is received.

Procedure

1. In the navigation tree, expand the following folders: **Configuration > IP**.
2. Click **DHCP Relay**.
3. Click the **Globals** tab.
4. Click **Insert**.
5. In the **AgentAddr** box, type the agent address.
6. In the **ServerAddr** list, type the server address.
7. Click **Enable** to enable BootP/DHCP relay. You can enable or disable each agent server forwarding policy. The default is enabled.
8. In the **Mode** box, select the type of messages to relay.

Both the mode setting for the DHCP interface and the mode setting for the agent interface determine which packets are forwarded.

9. Click **Insert**.

Globals field descriptions

Use the data in the following table to use the **Globals** tab.

Name	Description
AgentAddr	The IP address of the input interface (agent) on which the BootP/DHCP request packets are received for forwarding. This address is the IP address of either a brouter port or a VLAN for which forwarding is enabled.
ServerAddr	This parameter is either the IP address of the BootP/DHCP server or the address of another local interface. <ul style="list-style-type: none"> • If it is the address of the BootP/DHCP server, the request is unicast to the server address. • If the address is one of the IP addresses of an interface on the system, the BootP/DHCP requests are broadcast out of that local interface.
Enable	Enables BootP/DHCP relay.
Mode	Specifies the type of messages relayed: <ul style="list-style-type: none"> • Only BootP • Only DHCP • Both types of messages The default is to forward both BootP and DHCP messages.

Viewing DHCP relay configuration information

About this task

Use the DHCP Relay Interfaces tab to view configuration information about the DHCP relay. To change the configuration information, double-click the value in the field under the required interface, and enter a new value.

Procedure

1. In the navigation tree, expand the following folders: **Configuration > IP**.
2. Click **DHCP Relay**.
3. Click the **Interfaces** tab.

Interfaces field descriptions

Use the data in the following table to use the **Interfaces** tab.

Variable	Value
IfIndex	A read-only interface number that represents a physical interface, or the VLAN logical interface.
MaxHop	Sets the maximum number of hops a DHCP packet can take from the DHCP client to the DHCP server. The maximum number of hops is 16. The default is 4.
MinSec	Represents the minimum number of seconds to wait between receiving a DHCP packet and forwarding the DHCP packet to the DHCP server. A value of 0 indicates that forwarding is done immediately. The default value is 0.
Mode	Indicates the type of DHCP packet required. The options are: <ul style="list-style-type: none"> • bootp • dhcp • both The default is both.
AlwaysBroadcast	Indicates if DHCP Reply packets can be sent as a broadcast to the DHCP client. The default is false.
CircuitId	Indicates whether DHCP Relay inserted the option 82 circuit ID information into the DHCP packets before sending the DHCP packets to the DHCP server. The default is disable.
Remoteld	Indicates whether DHCP Relay inserted the option 82 remote ID information into the DHCP packets before sending the DHCP packets to the DHCP server. The default is disable.
Trusted	Indicates if DHCP packets come through a trusted DHCP circuit. Only packets with GIADDR configured to 0 and containing option 82 are forwarded if the circuit is trusted. The default value is false.

Managing UDP forwarding protocols

About this task

The switch configures the following protocols, by default:

- Time Service
- Terminal Access Controller Access Control System (TACACS) Service
- Domain Name System (DNS)

- Trivial file transfer protocol (TFTP)
- Network Basic Input/Output System (NetBIOS) NameSrv
- NetBIOS DataSrv

You can use these protocols to create forwarding entries and lists but you cannot delete them; you can add or remove other protocols to the list of protocols.

Procedure

1. In the navigation tree, expand the following folders: **Configuration > IP**.
2. Click **UDP Forwarding**.
3. Click **Insert**.
4. In the **PortNumber** field, type a UDP port number.

This number defines the UDP port used by the server process as its contact port. The range is from 1 to 65535 and cannot be one of the UDP port numbers or a number previously assigned.

5. In the **Name** field, type a name for the protocol.
6. Click **Insert**.

The protocol is added to the Protocol table. After you create a protocol, you cannot change its name or number.

Protocols field descriptions

Use the data in the following table to use the **Protocols** tab.

Name	Description
PortNumber	Defines the UDP port (1 to 65535).
Name	Specifies an administratively assigned name for this list (0 to 15 characters).

Managing UDP forwarding

About this task

You manage UDP forwarding by defining the destination addresses for the UDP protocol.

Procedure

1. In the navigation tree, expand the following folders: **Configuration > IP**.
2. Click **UDP Forwarding**.
3. Click the **Forwardings** tab.

4. Click **Insert**.
5. In the Insert Forwardings dialog box, select a destination UDP port from the defined protocols in the **DestPort** box.
6. Enter a destination IP address in the **DestAddr** box.
The destination address can be any IP server address for the protocol application or the IP address of an interface on the router.
7. Click **Insert**. The information is added to the Forwarding tab.

Forwardings field descriptions

Use the data in the following table to use the **Forwardings** tab.

Name	Description
DestPort	Specifies the port number defined for UDP, depending upon the protocol type.
DestAddr	Specifies the destination address can be any IP server address for the protocol application or the IP address of an interface on the router: <ul style="list-style-type: none"> • If the address is that of a server, the packet is sent as a unicast packet to this address. • If the address is that of an interface on the router, the frame is rebroadcast.
Id	Specifies an integer that identifies this entry internally.
NumFwdPackets	Specifies the total number of UDP broadcast packets forwarded using this policy.
NumDropPacketsTtlExpired	Specifies the total number of UDP broadcast packets dropped because the time-to-live value (TTL) expired.
NumDropPacketsDestUnreach	Specifies the total number of UDP broadcast packets dropped because the specified destination address was unreachable.

Creating the forwarding profile

About this task

A forwarding profile is a collection of port and destination pairs. When you configure UDP forwarding list entries, be sure to first configure the UDP forwarding list. Then, configure your UDP forwarding list entries and assign them to a UDP forwarding list. If you do not assign a UDP forwarding list entry to at least one UDP forwarding list, the UDP forwarding list is lost after a restart.

Procedure

1. In the navigation tree, expand the following folders: **Configuration > IP**.
2. Click **UDP Forwarding**.
3. Click the **Forwarding Lists** tab.
4. Click **Insert**.
5. In the **Id** field, type the forwarding list ID.
6. In the **Name** field, type the name of the forwarding list if required.
The forwarding list appears in the **FwdIdList** box.
7. Click **Insert**.

Forwarding Lists field descriptions

Use the data in the following table to use the **Forwarding Lists** tab and **Insert Forwarding Lists** dialog box.

Name	Description
Id	Specifies a value that uniquely identifies this list of entries (1 to 1000).
Name	Specifies an administratively assigned name for this list (0 to 15 characters).
FwdIdList	Specifies the zero or more port forwarding entries associated with this list. Each list identifier is stored as 2 bytes in this array, starting from 0 bytes (size=64). Clicking on the ellipsis (...) button in this field displays the ID list.

Managing the broadcast interface

About this task

Manage the broadcast interface by specifying and displaying which router interfaces can receive UDP broadcasts to forward.

Procedure

1. In the navigation tree, expand the following folders: **Configuration > IP**.
2. Click **UDP Forwarding**.
3. Click the **Broadcast Interfaces** tab.
4. Click **Insert**.
5. In the **LocalIfAddr** field, click the ellipsis (...) to select a local interface IP address from the list, and then click **OK**.

6. In the **UdpPortFwdListId** field, click the ellipsis (...) to select a forwarding list ID from the list, and then click **OK**.
7. In the **MaxTtl** field, type the maximum number of hops an IP broadcast can take from the source device to the destination device (the default is 4; the range is 1 to 16).
8. In the **BroadCastMask** field, enter the subnet mask of the local interface that broadcasts the UDP broadcast packets.

When you configure the UDP forwarding broadcast mask, the broadcast mask must be less specific (shorter in length) or equally specific (equal in length) to the subnet mask of the IP interface on which it is configured. If the UDP forwarding broadcast mask is more specific than the subnet mask of the corresponding IP interface, UDP forwarding does not function properly.

9. Click **Insert**.

Broadcast Interfaces field descriptions

Use the data in the following table to use the **Broadcast Interfaces** tab.

Name	Description
LocalIfAddr	Specifies the IP address of the local router interface that receives forwarded UDP broadcast packets.
UdpPortFwdListId	Specifies the number of the UDP lists or profiles that this interface is configured to forward (0 to 100). A value of 0 indicates that the interface cannot forward any UDP broadcast packets.
MaxTtl	Specifies the maximum number of hops an IP broadcast packet can take from the source device to the destination device (the default is 4; the range is 1 to 16).
NumRxPkts	Specifies the total number of UDP broadcast packets received by this local interface.
NumFwdPkts	Specifies the total number of UDP broadcast packets forwarded by this local interface.
NumDropPktsMaxTtlExpired	Specifies the total number of UDP broadcast packets dropped because the time-to-live (TTL) value expired.
NumDropPktsDestUnreach	Specifies the total number of UDP broadcast packets dropped because the destination was unreachable.
NumDropPktsUnknownPort	Specifies the total number of UDP broadcast packets dropped because the destination port or protocol specified has no matching forwarding policy.
BroadCastMask	Specifies the subnet mask of the local interface that broadcasts the UDP broadcast packets.

Viewing UDP endpoint information

View UDP Endpoints to confirm correct configuration.

About this task

You can use UDP endpoint information to display local and remote UDP activity.

Since UDP is a protocol used to establish connectionless network sessions, you need to monitor local and remote UDP activity and to know which applications are running over UDP.

You can determine which applications are active by checking the port number.

Processes are further identified with a UDP session to allow for the multiplexing of a port mapping for UDP.

Procedure

1. In the navigation pane, expand the **Configuration > IP** folders.
2. Click **TCP/UDP**.
3. Click the **UDP Endpoints** tab.

UDP Endpoints field descriptions

Use the data in the following table to use the **UDP Endpoints** tab.

Name	Description
LocalAddressType	Displays the local address type (IPv6 or IPv4).
LocalAddress	Displays the local IPv6 address.
LocalPort	Displays the local port number.
RemoteAddressType	Displays the remote address type (IPv6 or IPv4).
RemoteAddress	Displays the remote IPv6 address.
RemotePort	Displays the remote port number.
Instance	Distinguishes between multiple processes connected to the UDP endpoint.
Process	Displays the ID for the UDP process.

Chapter 10: IP policy configuration using the CLI

Configure IP policies to form a unified database of route policies that Routing Information Protocol (RIP) or Open Shortest Path First (OSPF) can use for filtering tasks.

A policy is identified by a name or an ID. Under a given policy you can have several sequence numbers, each of which is equal to one policy in the old convention. Each policy sequence number contains a set of fields. Only a subset of those fields is used when the policy is applied in a certain context. For example, if a policy has a configured set-preference field, use only when the policy is applied for accept purposes. This field is ignored when the policy is applied for announce and redistribute purposes.

You can apply one policy for one purpose, for example, RIP announce on a RIP interface. All sequence numbers under the given policy apply to that filter. A sequence number also acts as an implicit preference; a lower sequence number is preferred.

Configuring prefix lists

Configure a prefix list to allow or deny specific route updates. A prefix list policy specifies route prefixes to match. After a match occurs, the system uses the route.

The prefix list contains a set of contiguous or noncontiguous routes. Reference prefix lists by name from within a routing policy.

About this task

Important:

When you configure a prefix list for a route policy, add the prefix as a.b.c.d/32. You must enter the full 32-bit mask to exact a full match of a specific IP address.

You configure prefix lists on a VRF instance the same way you configure the GlobalRouter, except that you must use VRF Router Configuration mode.

Procedure

1. Enter Global Configuration mode:

```
enable
configure terminal
```

2. Configure a prefix list:

```
ip prefix-list WORD<1-64> {A.B.C.D/X} [ge <0-32>] [id
<1-2147483647>] [le <0-32>]
```

3. (Optional) Rename an existing prefix list:

```
ip prefix-list WORD<1-64> name WORD<1-64>
```

4. Display the prefix list:

```
show ip prefix-list [prefix {A.B.C.D}] [vrf WORD<1-16>] [vrfids
WORD<0-512>] [WORD <1-64>]
```

Example

Configure a prefix-list. Display the prefix list.

```
Switch> enable
Switch# configure terminal
Switch(config)# ip prefix-list LIST1 192.0.2.1/255.255.255.0
Switch(config)# show ip prefix-list LIST1
=====
                        Prefix List - GlobalRouter
=====
PREFIX                MASKLEN FROM TO
-----
List 1      LIST1:
            192.0.1.2.1      24      24      24
1 Total Prefix List entries configured
-----
Name Appendix for Lists Converted from Old Config:
@A=conv addr list, @N=conv net list, @NR=conv net list modified as range
```

Variable definitions

Use the data in the following table to use the `ip prefix-list` command.

Variable	Value
{A.B.C.D/X}	Specifies the IP address and the mask in one of the following formats: <ul style="list-style-type: none"> a.b.c.d/x a.b.c.d/x.x.x.x default
ge <0-32>	Specifies the minimum length to match. Lower bound and higher bound mask lengths together can define a range of networks.
id <1-2147483647>	Specifies the Prefix list ID.

Table continues...

Variable	Value
le <0–32>	Specifies the maximum length to match. Lower bound and higher bound mask lengths together can define a range of networks.
name WORD<1-64>	Renames the specified prefix list. The name length is 1–64 characters.
WORD<1-64>	Specifies the name for a new prefix list.

Use the data in the following table to use the **show ip prefix-list** command.

Variable	Value
{A.B.C.D}	Specifies the prefix to include in the command output.
vrf WORD<1-16>	Specifies the name of the VRF.
vrfids WORD<0-512>	Specifies the ID of the VRF and is an integer in the range of 0–512.
WORD<1-64>	Specifies a prefix list, by name, to use for the command output.

Use the following table to use the **show ip prefix-list** command output.

Variable	Value
PREFIX	Indicates the member of a specific prefix list.
MASKLEN	Indicates the prefix mask length in bits.
FROM	Indicates the prefix mask starting point in bits.
TO	Indicates the prefix mask endpoint in bits.

Configuring an IPv6 prefix list

Use IPv6 prefix lists to allow or deny specific IPv6 route updates. A prefix list policy specifies route prefixes to match. When there is a match, the route is used.

Procedure

1. Enter Global Configuration mode:

```
enable
configure terminal
```

2. Create an IPv6 prefix list:

```
ipv6 prefix-list <WORD 1-64> <WORD 1-256> [ge <0-128>] [id
<1-2147483647>] [le <0-128>]
```

Use the same command to add additional prefixes to the list.

3. To rename the list:

```
ipv6 prefix-list <WORD 1-64> name <WORD 1-64>
```

Example

Create an IPv6 prefix list:

```
Switch:1<config>#ipv6 prefix-list list4 2001:DB8::/32 ge 32 le 32
```

To rename the list:

```
Switch:1<config>#ipv6 prefix-list list4 name list5
```

Variable definitions

Use the data in the following table to use the `ipv6 prefix-list` command.

Variable	Value
<WORD 1–256>	Specifies the IPv6 prefix and length.
ge <0–128>	Specifies the minimum length to match. Lower bound and higher bound mask lengths together can define a range of networks.
id <1-2147483647>	Specifies the Prefix list ID.
le <0–128>	Specifies the maximum length to match. Lower bound and higher bound mask lengths together can define a range of networks.
name <WORD 1–64>	Names the prefix list. The default value is none.

Configuring IP route policies

Configure a route policy so that the device can control routes that certain packets can take. For example, you can use a route policy to deny certain Border Gateway Protocol (BGP) routes.

The route policy defines the matching criteria and the actions taken if the policy matches.

About this task

After you create and enable the policy, you can apply it to an interface. You can apply one policy for one purpose, for example, RIP Announce, on a given RIP interface. In this case, all sequence numbers under the given policy apply to that filter.

Create and enable the policy for IS-IS accept policies for Fabric Connect for Layer 3 Virtual Services Networks (VSNs) and IP Shortcuts, then apply the IS-IS accept policy filters. For more information on IS-IS accept policy filters, see *Configuring Fabric Basics and Layer 2 Services*.

*** Note:**

After you configure route-map in Global Configuration mode or VRF Router Configuration mode, the device enters Route-Map Configuration mode, where you configure the action the policy takes, and define other fields the policy enforces.

*** Note:**

The route policies treat permit and deny rules differently for inbound and outbound traffic.

- For an in-policy (RIP, BGP) or an accept policy (OSPF) using a route-map, if a particular route is not explicitly denied in the accept policy or in-policy with the route-map, then the route is implicitly allowed.
- For an out-policy (RIP, BGP) or a redistribute policy (RIP, OSPF, BGP) using a route-map, even if a particular route is not explicitly allowed in the redistribution policy or out-policy with the route-map, then the route is implicitly denied.
- In order to permit or deny only explicit routes, configure a policy with additional sequences, where, the last sequence permits all routes that are not explicitly permitted or denied.

Procedure

1. Enter Route-Map Configuration mode:

```
enable
configure terminal
route-map WORD<1-64> <1-65535>
```

2. At the route-map prompt, define the match criteria for the policy:

```
match {as-path WORD<0-256> | community WORD<0-256> | community-exact
enable | extcommunity WORD<0-1027> | interface WORD<0-259> | local-
preference <0-2147483647> |metric <0-65535> | metric-type-isis <any|
internal|external> | network WORD<0-259> | next-hop WORD<0-259> |
protocol WORD<0-60> | route-source WORD<0-259> | route-type <any|
local|internal|external|external-1|external-2>| tag WORD<0-256> |
vrf WORD<1-16> | vrfids WORD<0-512> }
```

3. Define the action the policy takes:

- a. Allow the route:

```
permit
```

OR

- b. Ignore the route:

```
no permit
```

4. Define the set criteria for the policy:

```
set {as-path WORD<0-256> | as-path-mode <tag|prepend> | automatic-
tag enable | community WORD<0-256> | community-mode <additive|none|
unchanged>| injectlist WORD<0-1027> | ip-preference <0-255> | local-
preference <0-2147483647> | mask <A.B.C.D> | metric <0-65535> |
```



```
metric-type <type1|type2> | metric-type-internal <0-1> | metric-
type-isis <none|internal|external>| metric-type-live-metric | next-
hop WORD<0-259> | nssa-pbit enable | origin <igp|egp|incomplete> |
origin-egp-as <0-65535>| tag WORD<0-256> }
```

5. Display current information about the IP route policy:

```
show route-map [WORD<1-64>] [<1-65535>] [vrf WORD<1-16>] [vrfids
WORD<0-512>]
```

Example

Enter Route-Map Configuration mode. At the route-map prompt, define the fields the policy enforces. Define the action the policy takes. Display current information about the IP route policy.

```
Switch:1>enable
Switch:1#configure terminal
Switch:1(config)#route-map RedisStatic 1
Switch:1(route-map)# match metric 0
Switch:1(route-map)# permit
Switch:1(route-map)# show route-map RedisStatic
=====
Route Policy - GlobalRouter
=====
NAME                               SEQ   MODE EN
-----
RedisStatic                         1     PRMT DIS
```

Variable definitions

Use the data in the following table to use the `match` command.

Variable	Value
as-path WORD<0-256>	<p>Configures the device to match the as-path attribute of the Border Gateway Protocol (BGP) routes against the contents of the specified AS-lists. This field is used only for BGP routes and ignored for all other route types.</p> <p>WORD <0-256> specifies the list IDs of up to four AS-lists, separated by a comma.</p> <p>Use the no operator to disable match as-path: no match as-path WORD<0-256></p>
community WORD<0-256>	<p>Configures the device to match the community attribute of the BGP routes against the contents of the specified community lists. This field is used only for BGP routes and ignored for all other route types.</p> <p>WORD <0-256> specifies the list IDs of up to four defined community lists, separated by a comma.</p> <p>Use the no operator to disable match community: no match community WORD<0-256></p>

Table continues...

Variable	Value
community-exact enable	<p>When disabled, configures the device so match community-exact results in a match when the community attribute of the BGP routes match an entry of a community-list specified in match-community.</p> <p>When enabled, configures the device so match-community-exact results in a match when the community attribute of the BGP routes matches all of the entries of all the community lists specified in match-community.</p> <p>enable enables match community-exact.</p> <p>Use the no operator to disable match community-exact: <code>no match community-exact enable</code></p>
extcommunity WORD <0-1027>	<p>Configures the device to match the extended community.</p> <p><i>WORD</i><0-1027> specifies an integer value from 1-1027 that represents the community list ID you want to create or modify.</p>
interface WORD <0-259>	<p>If configured, configures the device to match the IP address of the interface by which the RIP route was learned against the contents of the specified prefix list. This field is used only for RIP routes and ignored for all other route types.</p> <p><i>WORD</i> <0-259> specifies the name of up to four defined prefix lists, separated by a comma.</p> <p>Use the no operator to disable match-interface: <code>no match interface WORD <0-259></code></p>
local-preference <0-2147483647>	<p>Configures the device to match the local preference, applicable to all protocols.</p> <p><0-2147483647> specifies the preference value.</p>
metric <0-65535>	<p>Configures the device to match the metric of the incoming advertisement or existing route against the specified value. If 0, this field is ignored.</p> <p><0-65535> specifies the metric value. The default is 0.</p>
network WORD <0-259>	<p>Configures the device to match the destination network against the contents of the specified prefix lists.</p> <p><i>WORD</i> <0-259> specifies the name of up to four defined prefix lists, separated by a comma.</p> <p>Use the no operator to disable match network: <code>no match network WORD <0-259></code></p>
next-hop WORD<0-259>	<p>Configures the device to match the next-hop IP address of the route against the contents of the specified prefix list. This field applies only to nonlocal routes.</p> <p><i>WORD</i> <0-259> specifies the name of up to four defined prefix lists, separated by a comma.</p>

Table continues...

Variable	Value
	Use the no operator to disable match next hop: <code>no match next-hop WORD<0-259></code>
<code>protocol WORD<0-60></code>	Configures the device to match the protocol through which the route is learned. <i>WORD <0-60></i> is xxx, where xxx is local, ospf, ebgp, isis, rip, static, or a combination separated by , in a string length 0–60. Use the no operator to disable match protocol: <code>no match protocol WORD<0-60></code>
<code>route-source WORD<0-259></code>	Configures the system to match the next-hop IP address for RIP routes and advertising router IDs for OSPF routes against the contents of the specified prefix list. This option is ignored for all other route types. <i>WORD <0-259></i> specifies the name of up to four defined prefix lists, separated by a comma. Use the no operator to disable match route source: <code>no match route-source WORD<0-259></code>
<code>route-type {any local internal external external-1 external-2}</code>	Configures a specific route type to match (applies only to OSPF routes). <i>any local internal external external-1 external-2</i> specifies OSPF routes of the specified type only (External-1 or External-2). Another value is ignored.
<code>tag WORD<0-256></code>	Specifies a list of tags used during the match criteria process. Contains one or more tag values. <i>WORD<0-256></i> is a value from 0–256.
<code>[vrf WORD<1-16>] [vrfs WORD<0-512>]</code>	Configures a specific VRF to match (applies only to RIP routes).

Use the data in the following table to use the `set` command.

Variable	Value
<code>as-path WORD<0-256></code>	Configures the device to add the AS number of the AS-list to the BGP routes that match this policy. <i>WORD<0-256></i> specifies the list ID of up to four defined AS-lists separated by a comma. Use the no operator to delete the AS number: <code>no set as-path WORD<0-256></code>
<code>as-path-mode <tag prepend></code>	Configures the AS path mode.

Table continues...

Variable	Value
	Prepend is the default configuration. The device prepends the AS number of the AS-list specified in set-as-path to the old as-path attribute of the BGP routes that match this policy.
automatic-tag enable	Configures the tag automatically. Used for BGP routes only. Use the no operator to disable the tag: <code>no set automatic-tag enable</code>
community WORD<0-256>	Configures the device to add the community number of the community list to the BGP routes that match this policy. WORD <0-256> specifies the list ID of up to four defined community lists separated by a comma. Use the no operator to delete the community number: <code>no set community WORD<0-256></code>
community-mode <additive none unchanged>	Configures the community mode. additive—the device prepends the community number of the community list specified in set-community to the old community path attribute of the BGP routes that match this policy. none—the device removes the community path attribute of the BGP routes that match this policy to the specified value.
injectlist WORD<0-1027>	Configures the device to replace the destination network of the route that matches this policy with the contents of the specified prefix list. WORD<0-1027> specifies one prefix list by name. Use the no operator to disable set injectlist: <code>no set injectlist</code>
ip-preference <0-255>	Configures the preference. This applies to accept policies only. <0-255> is the range you can assign to the routes.
local-preference <0-65535>	Configures the device to match the local preference, applicable to all protocols. <0-65535> specifies the preference value.
mask <A.B.C.D>	Configures the mask of the route that matches this policy. This applies only to RIP accept policies. A.B.C.D is a valid contiguous IP mask. Use the no operator to disable set mask: <code>no set mask</code>
metric <0-65535>	Configures the metric value for the route while announcing a redistribution. The default is 0. If the default is configured, the original cost of the route is advertised into OSPF for RIP, the original cost of the route or default-import-metric is used (applies to IS-IS routes also).

Table continues...

Variable	Value
metric-type {type1 type2}	Configures the metric type for the routes to announce into the OSPF domain that matches this policy. The default is type 2. This field is applicable only for OSPF announce policies.
metric-type-live-metric	Configures the metric type for BGP routes. The default is disabled. This field is applicable only for BGP policies.
metric-type-internal <0-1>	Configures the MED value for routes advertised to ebgp nbrs to the IGP metric value. <0-1> specifies the metric type internal.
next-hop <A.B.C.D>	Specifies the IP address of the next-hop router. Use the no operator to disable set next-hop: no set next-hop
nssa-pbit enable	Configures the not so stubby area (NSSA) translation P bit. Applicable to OSPF announce policies only. Use the no operator to disable set nssa-pbit: no set nssa-pbit enable
origin {igp egp incomplete}	Configures the device to change the origin path attribute of the BGP routes that match this policy to the specified value.
origin-egp-as <0-65535>	Indicates the remote autonomous system number. Applicable to BGP only.
tag <0-65535>	Configures the tag of the destination routing protocol. If not specified, the device forwards the tag value in the source routing protocol. A value of 0 indicates that this parameter is not configured.
weight <0-65535>	Configures the weight value for the routing table. For BGP, this value overrides the weight configured through NetworkTableEntry, FilterListWeight, or NeighborWeight. Used for BGP only. A value of 0 indicates that this parameter is not configured.

Use the data in the following table to use the **name** command.

Variable	Value
<i>WORD</i> <1-64>	Renames a policy and changes the name field for all sequence numbers under the given policy.

Job aid

Use the data in the following table to use the `show route-map` command output.

Table 11: Variable definitions

Variable	Value
NAME	Indicates the name of the route policy.
SEQ	Indicates the second index used to identify a specific policy within the route policy group (grouped by ID). Use this field to specify different match and set parameters and an action.
MODE	Indicates the action to take when this policy is selected for a specific route. Options are permit, deny, or continue. Permit indicates to allow the route. Deny indicates to ignore the route. Continue means continue checking the next match criteria configured in the next policy sequence; if none, take the default action in the given context.
EN	Indicates whether this policy is enabled. If disabled, the policy is not used.

Configuring a policy to accept external routes from a router

Perform this procedure to configure a policy to accept external routes from a specified advertising router.

For more information on IS-IS accept policy filters for Fabric Connect for Layer 3 VSNs and IP Shortcuts, see *Configuring Fabric Basics and Layer 2 Services*.

Note:

The route policies treat permit and deny rules differently for inbound and outbound traffic.

- For an in-policy (RIP, BGP) or an accept policy (OSPF) using a route-map, if a particular route is not explicitly denied in the accept policy or in-policy with the route-map, then the route is implicitly allowed.
- For an out-policy (RIP, BGP) or a redistribute policy (RIP, OSPF, BGP) using a route-map, even if a particular route is not explicitly allowed in the redistribution policy or out-policy with the route-map, then the route is implicitly denied.
- In order to permit or deny only explicit routes, configure a policy with additional sequences, where, the last sequence permits all routes that are not explicitly permitted or denied.

Procedure

1. Enter OSPF Router Configuration mode:

```
enable
configure terminal
router ospf
```

2. Create a policy to accept external routes from a specified advertising route:

- ```
accept adv-rtr <A.B.C.D>
```
- Exit to the Privileged EXEC mode.
 

```
exit
```
  - Apply the OSPF accept policy change:
 

```
ip ospf apply accept adv-rtr <A.B.C.D>
```
  - Confirm your configuration:
 

```
show ip ospf accept
```

### Example

Log on to the OSPF Router Configuration mode:

```
Switch:1>enable
Switch:1#configure terminal
Switch:1(config)#router ospf
```

Create a policy to accept external routes from a specified advertising route:

```
Switch:1(config-ospf)#accept adv-rtr 192.0.2.122
```

Enable an OSPF accept entry for a specified advertising route:

```
Switch:1(config-ospf)#accept adv-rtr 192.0.2.122 enable
```

Exit to the Privileged EXEC mode:

```
Switch:1(config-ospf)#exit
Switch:1(config)#exit
```

Apply the OSPF accept policy change and confirm your configuration:

```
Switch:1#ip ospf apply accept adv-rtr 192.0.2.122
Switch:1#show ip ospf accept
=====
Ospf Accept - GlobalRouter
=====
ADV_RTR MET_TYPE ENABLE POLICY

192.0.2.122 - FALSE
```

## Variable definitions

Use the data in the following table to use the **accept adv-rtr** command.

| Variable  | Value                                                                                                                                                                          |
|-----------|--------------------------------------------------------------------------------------------------------------------------------------------------------------------------------|
| <A.B.C.D> | Specifies the IP address.                                                                                                                                                      |
| enable    | Enables an OSPF accept entry for a specified advertising router.<br>Use the no operator to disable an OSPF accept entry: <code>no accept adv-rtr &lt;A.B.C.D&gt; enable</code> |

*Table continues...*

| Variable                   | Value                                                                                                                                                                                                                                                                                                                                                                                             |
|----------------------------|---------------------------------------------------------------------------------------------------------------------------------------------------------------------------------------------------------------------------------------------------------------------------------------------------------------------------------------------------------------------------------------------------|
| metric-type {type1 type2 } | <p>Indicates the OSPF external type. This parameter describes which types of OSPF external routes match this entry.</p> <p>means match all external routes.</p> <p><i>type1</i> means match external type 1 only.</p> <p><i>type2</i> means match external type 2 only.</p> <p>Use the no operator to disable metric-type: <code>no ip ospf accept adv-rtr &lt;A.B.C.D&gt; metric-type</code></p> |
| route-map WORD<0-64>       | Specifies the name of the route policy to use for filtering external routes advertised by the specified advertising router before accepting into the routing table.                                                                                                                                                                                                                               |

## Applying OSPF accept policy changes

Apply OSPF accept policy changes to allow the configuration changes in the policy to take effect in an OSPF Accept context (and to prevent the device from attempting to apply the changes one by one after each configuration change).

For more information on IS-IS accept policy filters for Fabric Connect for Layer 3 VSNs and IP Shortcuts, see *Configuring Fabric Basics and Layer 2 Services*.

### About this task

#### ! Important:

Changing OSPF Accept contexts is a process-oriented operation that can affect system performance and network accessibility while you perform the procedures. If you want to change the default preferences for an OSPF Accept or a prefix-list configuration (as opposed to the default preference), do so before enabling the protocols.

#### \* Note:

The route policies treat permit and deny rules differently for inbound and outbound traffic.

- For an in-policy (RIP, BGP) or an accept policy (OSPF) using a route-map, if a particular route is not explicitly denied in the accept policy or in-policy with the route-map, then the route is implicitly allowed.
- For an out-policy (RIP, BGP) or a redistribute policy (RIP, OSPF, BGP) using a route-map, even if a particular route is not explicitly allowed in the redistribution policy or out-policy with the route-map, then the route is implicitly denied.
- In order to permit or deny only explicit routes, configure a policy with additional sequences, where, the last sequence permits all routes that are not explicitly permitted or denied.

### Procedure

1. Enter Privileged EXEC mode:



```
enable
```

2. Apply an OSPF accept policy change:

```
ip ospf apply accept [vrf WORD<1-16>]
```

3. Display information about the configured OSPF entries:

```
show ip ospf accept [vrf WORD<1-16>] [vrfids WORD<0-512>]
```

### Example

Apply the OSPF accept policy and confirm the configuration:

```
Switch:1>enable
Switch:1#ip ospf apply accept
Switch:1#show ip ospf accept
=====
 Ospf Accept - GlobalRouter
=====
ADV_RTR MET_TYPE ENABLE POLICY

192.0.2.122 - TRUE
```

## Variable definitions

Use the data in the following table to use the `ip ospf apply accept adv-rtr` command.

**Table 12: Variable definitions**

| Variable       | Value                                                                                                                   |
|----------------|-------------------------------------------------------------------------------------------------------------------------|
| adv-rtr        | Commits entered changes. Issue this command after you modify a policy configuration that affects an OSPF accept policy. |
| vrf WORD<1–16> | Specifies the name of the VRF.                                                                                          |

Use the data in the following table to use the `show ip ospf accept` command output.

**Table 13: Variable definitions**

| Variable | Value                                                                                                                                                                                                                          |
|----------|--------------------------------------------------------------------------------------------------------------------------------------------------------------------------------------------------------------------------------|
| ADV_RTR  | Indicates the router advancing the packets.                                                                                                                                                                                    |
| MET_TYPE | Indicates the metric type for the routes to import into OSPF routing protocol, which passed the matching criteria configured in this route policy. Options include: local, internal, external, externaltyp1, and externaltyp2. |
| ENABLE   | Indicates if the policy is enabled.                                                                                                                                                                                            |
| POLICY   | Indicates the type of policy.                                                                                                                                                                                                  |

## Configuring inter-VRF redistribution policies

Configure redistribution entries to allow a protocol to announce routes of a certain source type, for example, static, RIP, or direct.

For more information on IS-IS redistribution, see *Configuring Fabric Basics and Layer 2 Services*.

### Before you begin

- Ensure the routing protocols are globally enabled.
- You must configure the route policy, if required.
- Ensure the VRFs exist.
- You must create the route policy and prefix list under the source VRF context.

### \* Note:

The route policies treat permit and deny rules differently for inbound and outbound traffic.

- For an in-policy (RIP, BGP) or an accept policy (OSPF) using a route-map, if a particular route is not explicitly denied in the accept policy or in-policy with the route-map, then the route is implicitly allowed.
- For an out-policy (RIP, BGP) or a redistribute policy (RIP, OSPF, BGP) using a route-map, even if a particular route is not explicitly allowed in the redistribution policy or out-policy with the route-map, then the route is implicitly denied.
- In order to permit or deny only explicit routes, configure a policy with additional sequences, where, the last sequence permits all routes that are not explicitly permitted or denied.

### Procedure

1. Enter VRF Router Configuration mode for a specific VRF context:

```
enable
configure terminal
router vrf WORD<1-16>
```

2. Create the redistribution instance:

```
ip <bgp|ospf|rip> redistribute <bgp|direct|isis|ospf|rip|static|dvr>
```

3. Apply a route policy if required:

```
ip <bgp|ospf|rip> redistribute <bgp|direct|isis|ospf|rip|static|dvr>
route-map <WORD 0-64> [vrf-src <WORD 1-16>]
```

4. Use the following variable definitions table to configure other parameters as required.

5. Enable the redistribution:

```
ip <bgp|ospf|rip> redistribute <bgp|direct|isis|ospf|rip|static|dvr>
enable [vrf-src <WORD 1-16>]
```

6. Ensure that the configuration is correct:

```
show ip <bgp|ospf|rip> redistribute [vrf WORD<1-16>] [vrfids
WORD<0-512>]
```

For RIPng, use `show ipv6 rip redistribute`.

#### 7. Apply the redistribution:

```
ip <bgp|ospf|rip> apply redistribute <bgp|direct|isis|ospf|rip|
static|dvr> [vrf WORD<1-16>] [vrf-src WORD<1-16>]
```

### Example

```
Switch:1>enable
Switch:1#config terminal
```

Log on to the VRF Router Configuration mode:

```
Switch:1(config)#router vrf test
```

Create the redistribution instance:

```
Switch:1(router-vrf)#ip rip redistribute ospf
```

Enable the redistribution

```
Switch:1(router-vrf)#ip rip redistribute ospf enable
```

Ensure that the configuration is correct:

```
Switch:1(router-vrf)#show ip rip redistribute
```

Exit to Global Configuration mode:

```
Switch:1(router-vrf)#exit
```

Apply the redistribution:

```
Switch:1(config)#ip rip apply redistribute ospf
```

## Variable definitions

Use the data in the following table to use the redistribution commands.

| Variable                              | Value                                                                                                     |
|---------------------------------------|-----------------------------------------------------------------------------------------------------------|
| <bgp direct isis ospf rip static dvr> | Specifies the type of routes to redistribute—the protocol source.                                         |
| vrf WORD<1-16>                        | Specifies the VRF instance.                                                                               |
| vrfids WORD<0-512>                    | Specifies a list of VRF IDs.                                                                              |
| vrf-src WORD<1-16>                    | Specifies the source VRF instance. This parameter is not required for redistribution within the same VRF. |

Use the data in the following table to use the `ip <bgp|ospf|rip> redistribute <bgp|direct|isis|ospf|rip|static|dvr>` command.

| Variable                   | Value                                     |
|----------------------------|-------------------------------------------|
| apply [vrf-src WORD<1-16>] | Applies the redistribution configuration. |

*Table continues...*

| Variable                                       | Value                                                                                                                                                                                                                                              |
|------------------------------------------------|----------------------------------------------------------------------------------------------------------------------------------------------------------------------------------------------------------------------------------------------------|
| enable [vrf-src WORD<1–16>]                    | Enables the OSPF route redistribution instance.                                                                                                                                                                                                    |
| metric <metric-value> [vrf-src WORD<1–16>]     | Configures the metric to apply to redistributed routes.                                                                                                                                                                                            |
| metric-type <type1 type2> [vrf-src WORD<1–16>] | Specifies a type 1 or a type 2 metric. For metric type 1, the cost of the external routes is equal to the sum of all internal costs and the external cost. For metric type 2, the cost of the external routes is equal to the external cost alone. |
| route-map <WORD 0-64> [vrf-src WORD<1–16>]     | Configures the route policy to apply to redistributed routes.                                                                                                                                                                                      |
| subnets <allow suppress> [vrf-src WORD<1–16>]  | Allows or suppresses external subnet route advertisements when routes are redistributed into an OSPF domain.                                                                                                                                       |

# Chapter 11: IP policy configuration using Enterprise Device Manager

You can form a unified database of route policies that the protocols (RIP, OSPF or Border Gateway Protocol [BGP]) can use for any type of filtering task.

For information about configuring a prefix list, community list, or AS path list, see *Configuring BGP Services*.

A name or an ID identifies a policy. Under a policy you can have several sequence numbers, each of which is equal to one policy in the old convention. If a field in a policy is not configured, it appears as 0 or any when it appears in Enterprise Device Manager (EDM). This means that the field is ignored in the match criteria. You can use the clear option to remove existing configurations for any field.

Each policy sequence number contains a set of fields. Only a subset of those fields is used when the policy is applied in a certain context. For example, if a policy has a set-preference field set, it is used only when the policy is applied for accept purposes. This field is ignored when the policy is applied for announce and redistribute purposes.

You can apply only one policy for one purpose (for example, RIP Announce on a given RIP interface). In that example, all sequence numbers under the given policy are applicable for that filter. A sequence number also acts as an implicit preference: a lower sequence number is preferred.

---

## Configuring a prefix list

Configure a prefix list to allow or deny specific route updates. A prefix list policy specifies route prefixes to match. After a match occurs, the system uses the route.

The prefix list contains a set of contiguous or non-contiguous routes. Reference prefix lists by name from within a routing policy.

### Before you begin

- Change the VRF instance as required to configure a prefix list on a specific VRF instance.

### Procedure

1. In the navigation pane, expand the following folders: **Configuration > IP**.
2. Click **Policy**.

3. Click the **Prefix List** tab.
4. Click **Insert**.
5. In the **Id** box, type an ID for the prefix list.
6. In the **Prefix** box, type an IP address for the route.
7. In the **PrefixMaskLength** box, type the length of the prefix mask.
8. Configure the remaining parameters as required.
9. Click **Insert**.

---

## Prefix List field descriptions

Use the data in the following table to use the **Prefix List** tab.

| Name                 | Description                                                                                                                                                                                                  |
|----------------------|--------------------------------------------------------------------------------------------------------------------------------------------------------------------------------------------------------------|
| <b>Id</b>            | Configures the list identifier.                                                                                                                                                                              |
| <b>Prefix</b>        | Configures the IP address of the route.                                                                                                                                                                      |
| <b>PrefixMaskLen</b> | Configures the specified length of the prefix mask.<br><br>You must enter the full 32-bit mask to exact a full match of a specific IP address, for example, if you create a policy to match on the next hop. |
| <b>Name</b>          | Names a specified prefix list during the creation process or renames the specified prefix list. The name length can use from 1 to 64 characters.                                                             |
| <b>MaskLenFrom</b>   | Configures the lower bound of the mask length. The default is the mask length. Lower bound and higher bound mask lengths together can define a range of networks.                                            |
| <b>MaskLenUpto</b>   | Configures the higher bound mask length. The default is the mask length. Lower bound and higher bound mask lengths together can define a range of networks.                                                  |

---

## Configuring IPv6 Prefix List

Use IPv6 prefix lists to allow or deny specific route updates. A prefix list policy specifies route prefixes to match. When there is a match, the route is used.

### Procedure

1. In the navigation pane, open the following folders: **Configuration > IPv6**.
2. Click **Policy**.
3. In the **Ipv6-Prefix List** tab, click **Insert**.
4. Edit the parameters as required.

5. Click **Insert**.

---

## Ipv6–Prefix list field descriptions

Use the data in the following table to use the **Ipv6–Prefix List** tab.

| Name                 | Description                                                                                                                                                                                 |
|----------------------|---------------------------------------------------------------------------------------------------------------------------------------------------------------------------------------------|
| <b>Id</b>            | Specifies the prefix list. The range is 0 to 65535.                                                                                                                                         |
| <b>Prefix</b>        | Specifies the prefix IPv6 address.                                                                                                                                                          |
| <b>PrefixMaskLen</b> | Specifies the length of the prefix mask. You must enter the full 128-bit mask to exact a full match of a specific IPv6 address (for example, when creating a policy to match the next-hop). |
| <b>Name</b>          | Names a specified prefix list during the creation process or renames the specified prefix list. The name can be from 1 to 64 characters in length.                                          |
| <b>MaskLenFrom</b>   | Specifies the lower bound on the mask length. The default is the mask length. Lower bound and higher bound mask lengths together can define a range of networks.                            |
| <b>MaskLenUpto</b>   | Specifies the higher bound mask length. The default is the mask length. Lower bound and higher bound mask lengths together can define a range of networks.                                  |

---

## Configuring a route policy

Configure a route policy so that all protocols use them for In, Out, and Redistribute purposes.

For more information on IS-IS accept policy filters for Fabric Connect for Layer 3 VSNs and IP Shortcuts, see *Configuring Fabric Layer 3 Services*.

### Procedure

1. In the navigation pane, expand the following folders: **Configuration > IP**.
2. Click **Policy**.
3. Click the **Route Policy** tab.
4. Click **Insert**.
5. Enter the appropriate information for your configuration in the Insert Route Policy dialog box.
6. Click **Insert**.

## Route Policy field descriptions

Use the data in the following table to use the **Route Policy** tab.

| Name                      | Description                                                                                                                                                                                                                                                                                                                                                                                                                                                                                  |
|---------------------------|----------------------------------------------------------------------------------------------------------------------------------------------------------------------------------------------------------------------------------------------------------------------------------------------------------------------------------------------------------------------------------------------------------------------------------------------------------------------------------------------|
| <b>Id</b>                 | Specifies the ID of an entry in the Prefix list table.                                                                                                                                                                                                                                                                                                                                                                                                                                       |
| <b>SequenceNumber</b>     | Specifies a policy within a route policy group.                                                                                                                                                                                                                                                                                                                                                                                                                                              |
| <b>Name</b>               | Specifies the name of the policy. This command changes the name field for all sequence numbers under the given policy.                                                                                                                                                                                                                                                                                                                                                                       |
| <b>Enable</b>             | Indicates whether this policy sequence number is enabled or disabled. If disabled, the policy sequence number is ignored. The default is disabled.                                                                                                                                                                                                                                                                                                                                           |
| <b>Mode</b>               | Specifies the action to take when a policy is selected for a specific route. Select permit (allow the route) or deny (ignore the route). The default is permit.                                                                                                                                                                                                                                                                                                                              |
| <b>MatchProtocol</b>      | Selects the appropriate protocol. If configured, matches the protocol through which the route is learned. This field is used only for RIP Announce purposes. The default is to enable all match protocols.                                                                                                                                                                                                                                                                                   |
| <b>MatchNetwork</b>       | Specifies if the system matches the destination network against the contents of the specified prefix list.                                                                                                                                                                                                                                                                                                                                                                                   |
| <b>MatchIpRouteSource</b> | <p>Specifies if the system matches the next-hop IP address for RIP routes and advertising router IDs for OSPF routes against the contents of the specified prefix list. This option is ignored for all other route types.</p> <p>Click the ellipsis button and choose from the list in the Match Route Source dialog box. You can select up to four entries. To clear an entry, use the ALT key.</p> <p>You can also change this field in the Route Policy tab of the Policy dialog box.</p> |
| <b>MatchIpRouteDest</b>   | Specifies if the system matches the next-hop IP address for RIP routes and advertising router IDs for OSPF routes against the contents of the specified prefix list. This option is ignored for all other route types.                                                                                                                                                                                                                                                                       |
| <b>MatchNextHop</b>       | <p>Specifies if the system matches the next-hop IP address of the route against the contents of the specified prefix list. This field applies only to nonlocal routes.</p> <p>Click the ellipsis button and choose from the list in the Match Next Hop dialog box. You can select up to four entries. To clear an entry, use the ALT key.</p>                                                                                                                                                |
| <b>MatchInterface</b>     | Specifies if the system matches the IP address of the interface by which the RIP route was learned against the contents of the                                                                                                                                                                                                                                                                                                                                                               |

*Table continues...*



| Name                       | Description                                                                                                                                                                                                                                                                                                                                                                                                                                                       |
|----------------------------|-------------------------------------------------------------------------------------------------------------------------------------------------------------------------------------------------------------------------------------------------------------------------------------------------------------------------------------------------------------------------------------------------------------------------------------------------------------------|
|                            | <p>specified prefix list. This field is used only for RIP routes and ignored for all other type of route.</p> <p>Click the ellipsis button and choose from the list in the Match Interface dialog box. You can select up to four entries. To clear an entry, use the ALT key.</p>                                                                                                                                                                                 |
| <b>MatchRouteType</b>      | <p>Configures a specific route type to match (applies only to OSPF routes).</p> <p>Externatype1 and Externatype2 specify the OSPF routes of the specified type only. OSPF internal refers to intra- and inter-area routes. The default is any.</p>                                                                                                                                                                                                                |
| <b>MatchMetric</b>         | <p>Specifies if the system matches the metric of the incoming advertisement or existing route against the specified value (1 to 65535). If 0, this field is ignored. The default is 0.</p>                                                                                                                                                                                                                                                                        |
| <b>MatchMetricTypeisis</b> | <p>Specifies the match metric type field in the incoming ISIS routes in accept policy.</p>                                                                                                                                                                                                                                                                                                                                                                        |
| <b>MatchAsPath</b>         | <p>Configures if the system matches the BGP autonomus system path. Applicable to BGP only. This overrides the BGP neighbor filter list information.</p>                                                                                                                                                                                                                                                                                                           |
| <b>MatchCommunity</b>      | <p>Filters incoming and outgoing updates based on a Community List. Applicable to BGP only. The default is disable.</p>                                                                                                                                                                                                                                                                                                                                           |
| <b>MatchCommunityExact</b> | <p>Indicates if the match must be exact (that is, all of the communities specified in the path must match). Applicable to BGP only. The default is disabled.</p>                                                                                                                                                                                                                                                                                                  |
| <b>MatchTag</b>            | <p>Specifies a list of tags used during the match criteria process. Applicable to BGP only. It contains one or more tag values.</p>                                                                                                                                                                                                                                                                                                                               |
| <b>MatchVrf</b>            | <p>Identifies the source VRFs that leaks routes to the local VRF (applies only to RIP routes).</p>                                                                                                                                                                                                                                                                                                                                                                |
| <b>NssaPbit</b>            | <p>Configures or resets the P bit in specified type 7 link state advertisements (LSA). By default, the Pbit is always configured in case the user configures the Pbit to a disable state for a particular route policy other than all type 7. LSAs associated with that route policy have the Pbit cleared. With this intact, not so stubby area (NSSA) area border router (ABR) does not perform translation of these LSAs to type 5. The default is enable.</p> |
| <b>SetRoutePreference</b>  | <p>Configures a value from 0 to 255. The default value is 0. If the default is configured, the global preference value is used.</p> <p>When configured to a value greater than zero, specifies the route preference value assigned to the routes that matches the policy. This feature applies to accept policies only.</p>                                                                                                                                       |

*Table continues...*

| Name                         | Description                                                                                                                                                                                                                                                                                                                                                                                                                                      |
|------------------------------|--------------------------------------------------------------------------------------------------------------------------------------------------------------------------------------------------------------------------------------------------------------------------------------------------------------------------------------------------------------------------------------------------------------------------------------------------|
| <b>SetMetricTypeInternal</b> | Identifies the MED value for routes advertised to BGP numbers to the Interior Gateway Protocol (IGP) metric value. The default is 0.                                                                                                                                                                                                                                                                                                             |
| <b>SetMetricTypeIspis</b>    | Sets the metric type IS-IS.                                                                                                                                                                                                                                                                                                                                                                                                                      |
| <b>SetMetric</b>             | Configures the system to use the metric value for the route while announcing or redistributing. The default-import-metric is 0. If the default is configured, the original cost of the route is advertised into OSPF; for RIP, the original cost of the route or the default value is used (applies to IS-IS routes also). The default is 0.                                                                                                     |
| <b>SetMetricType</b>         | Configures the metric type for the routes to announce into the OSPF routing protocol that matches this policy. Applicable to OSPF protocol only. The default is type 2. This field is applicable only for OSPF announce policies. The default is type2.                                                                                                                                                                                          |
| <b>SetNextHop</b>            | Configures the IP address of the next-hop router. Applicable to BGP only. The default is 0.0.0.0.                                                                                                                                                                                                                                                                                                                                                |
| <b>SetInjectNetList</b>      | Configures the destination network of the route that matches this policy with the contents of the specified prefix list. Click the ellipsis button and choose from the list in the Set Inject NetList dialog box.                                                                                                                                                                                                                                |
| <b>SetMask</b>               | Configures the mask of the route that matches this policy. This applies only to RIP accept policies.                                                                                                                                                                                                                                                                                                                                             |
| <b>SetAsPath</b>             | Indicates the AS path value to use whether the SetAsPathMode field is Tag or Prepend. Applicable to BGP only.                                                                                                                                                                                                                                                                                                                                    |
| <b>SetAsPathMode</b>         | Configures if the system converts the tag of a route into an AS path. Applicable to BGP protocol only. The mode is either Tag or Prepend tag. The value is applicable only while redistributing routes to BGP The default is prepend.                                                                                                                                                                                                            |
| <b>SetAutomaticTag</b>       | Enables the automatic tag feature. Applicable to BGP protocol only. The default is disable.                                                                                                                                                                                                                                                                                                                                                      |
| <b>SetCommunityNumber</b>    | Configures the community number for BGP advertisements. This value can be a number (1 to 42949672000) or no-export or no-advertise.                                                                                                                                                                                                                                                                                                              |
| <b>SetCommunityMode</b>      | <p>Configures the community mode for the BGP protocol. This value can be either append, none, or unchanged. The default is unchanged.</p> <ul style="list-style-type: none"> <li>• Unchanged—keeps the community attribute in the route path as it is.</li> <li>• None—removes the community in the route path additive.</li> <li>• Append—adds the community number specified in SetCommunityNumber to the community list attribute.</li> </ul> |

*Table continues...*

| Name                       | Description                                                                                                                                                                                                                                                                                                                               |
|----------------------------|-------------------------------------------------------------------------------------------------------------------------------------------------------------------------------------------------------------------------------------------------------------------------------------------------------------------------------------------|
| <b>SetExtCommunity</b>     | Configures a BGP community. The values are 0 to 256.                                                                                                                                                                                                                                                                                      |
| <b>SetExtCommunityMode</b> | Configures the extended-community mode. The value can be append, unchanged, or overwrite. The default value is unchanged. <ul style="list-style-type: none"> <li>• append — creates another community string.</li> <li>• unchanged — keeps the community attribute as it is.</li> <li>• overwrite — changes the current value.</li> </ul> |
| <b>SetOrigin</b>           | Configures the origin for the BGP protocol to IGP, EGP, incomplete, or unchanged. If not configured, the system uses the route origin from the IP routing table (protocol). The default is unchanged.                                                                                                                                     |
| <b>SetLocalPref</b>        | Configures the local preference for the BGP protocol only. The system uses this value during the route decision process for the BGP protocol. The default is 0.                                                                                                                                                                           |
| <b>SetOriginEgpAs</b>      | Indicates the remote autonomous system number for the BGP protocol. The default is 0.                                                                                                                                                                                                                                                     |
| <b>SetWeight</b>           | Configures the weight value for the routing table for the BGP protocol. This field must be used with the match as-path condition. For BGP, this value overrides the weight configured through the NetworkTableEntry, FilterListWeight, or NeighborWeight. The default is 0.                                                               |
| <b>SetTag</b>              | Configures the list of tags used during the match criteria process for the BGP protocol. The default is 0.                                                                                                                                                                                                                                |
| <b>Ipv6SetNextHop</b>      | Specifies the address of the IPv6 next hop router.                                                                                                                                                                                                                                                                                        |

---

## Applying a route policy

Apply route policies to define route behavior.

For more information on IS-IS accept policy filters for Fabric Connect for Layer 3 VSNs and IP Shortcuts, see *Configuring Fabric Layer 3 Services*.

### About this task

#### Important:

Changing route policies or prefix lists that affect OSPF accept or redistribute is a process-oriented operation that can affect system performance and network reachability while you perform the procedures. Therefore, if you want to change a prefix list or a routing protocol, you configure all route policies and prefix lists before enabling the protocols.

### Procedure


1. In the navigation pane, expand the following folders: **Configuration > IP**.

2. Click **Policy**
3. Click the **Applying Policy** tab.
4. Select the type of policy to apply.
5. Click **Apply**.

---

## Applying Policy field descriptions

Use the data in the following table to use the **Applying Policy** tab.

| Name                     | Description                                                                                                                                                                                                                                                                                                                                                                                                                                                                                                    |
|--------------------------|----------------------------------------------------------------------------------------------------------------------------------------------------------------------------------------------------------------------------------------------------------------------------------------------------------------------------------------------------------------------------------------------------------------------------------------------------------------------------------------------------------------|
| <b>RoutePolicyApply</b>  | Specifies that configuration changes in the policy take effect in an OSPF route policy context. This prevents the system from attempting to apply the changes one by one after each configuration change. The default is enabled.                                                                                                                                                                                                                                                                              |
| <b>RedistributeApply</b> | Specifies that configuration changes in the policy take effect for an OSPF Redistribute context. This prevents the system from attempting to apply the changes one-by-one after each configuration change. The default is enabled.                                                                                                                                                                                                                                                                             |
| <b>OspfInFilterApply</b> | <p>Specifies that configuration changes in a route policy or a prefix list take effect in an OSPF Accept context. This prevents the system from attempting to apply the changes one by one after each configuration change. The default is enabled.</p> <p> <b>Note:</b><br/>This field does not appear on all hardware platforms. If you do not see this command in EDM, the feature is not supported on your hardware.</p> |

---

## Viewing IP routes

View IP routes learned on the device.

### Procedure

1. In the navigation pane, expand the following folders: **Configuration > IP**.
2. Click **IP**.
3. Click the **Routes** tab to view IP routes learned on the device.
4. If you want to limit the routes displayed, click **Filter** to show a smaller subset of the learned routes.
5. In the Filter dialog box, select an option, or options, and enter information to limit the routes to display in the Routes table.
6. Click **Filter** and the Routes table displays only the routes that match the options and information that you enter.

## Routes field descriptions

Use the data in the following table to use the **Routes** tab.

| Name               | Description                                                                                                                                                                                                                                                                                                                                                                                                                           |
|--------------------|---------------------------------------------------------------------------------------------------------------------------------------------------------------------------------------------------------------------------------------------------------------------------------------------------------------------------------------------------------------------------------------------------------------------------------------|
| <b>Dest</b>        | Specifies the destination IP network of this route. An entry with a value of 0.0.0.0 is a default route. Multiple routes to a single destination can appear in the table, but access to multiple entries depends on the table access mechanisms defined by the network management protocol in use.                                                                                                                                    |
| <b>Mask</b>        | Indicates the network mask to logically add with the destination address before comparison to the destination IP network.                                                                                                                                                                                                                                                                                                             |
| <b>NextHop</b>     | Specifies the IP address of the next hop of this route.                                                                                                                                                                                                                                                                                                                                                                               |
| <b>AltSequence</b> | Indicates the alternative route sequence. The value of 0 denotes the best route.                                                                                                                                                                                                                                                                                                                                                      |
| <b>NextHopId</b>   | Displays the MAC address or hostname of the next hop.                                                                                                                                                                                                                                                                                                                                                                                 |
| <b>HopOrMetric</b> | Displays the primary routing metric for this route. The semantics of this metric are specific to different routing protocols.                                                                                                                                                                                                                                                                                                         |
| <b>Interface</b>   | Specifies the router interface for this route. <ul style="list-style-type: none"> <li>• Virtual router interfaces are identified by the VLAN number of the VLAN followed by the (VLAN) designation.</li> <li>• Brouter interfaces are identified by the slot and port number of the brouter port.</li> </ul>                                                                                                                          |
| <b>Proto</b>       | Specifies the routing mechanism through which this route was learned: <ul style="list-style-type: none"> <li>• other—none of the following</li> <li>• local—nonprotocol information, for example, manually configured entries</li> <li>• static</li> <li>• ICMP</li> <li>• EGP</li> <li>• GGP</li> <li>• Hello</li> <li>• RIP</li> <li>• IS-IS</li> <li>• ES-IS</li> <li>• Cisco IGRP</li> <li>• bbnSpflgp</li> <li>• OSPF</li> </ul> |

*Table continues...*

| Name                 | Description                                                                                                                                                                                                                                                                                                                                                                                                                                                                                                                                                                                                                                                                                                                                                                                                                                                                                                                                                                                                                                                                                                                                                                                                                                                                                                                                                                                                                                                                                 |
|----------------------|---------------------------------------------------------------------------------------------------------------------------------------------------------------------------------------------------------------------------------------------------------------------------------------------------------------------------------------------------------------------------------------------------------------------------------------------------------------------------------------------------------------------------------------------------------------------------------------------------------------------------------------------------------------------------------------------------------------------------------------------------------------------------------------------------------------------------------------------------------------------------------------------------------------------------------------------------------------------------------------------------------------------------------------------------------------------------------------------------------------------------------------------------------------------------------------------------------------------------------------------------------------------------------------------------------------------------------------------------------------------------------------------------------------------------------------------------------------------------------------------|
|                      | <ul style="list-style-type: none"> <li>• BGP</li> <li>• Inter-VRF Redistributed Route</li> </ul>                                                                                                                                                                                                                                                                                                                                                                                                                                                                                                                                                                                                                                                                                                                                                                                                                                                                                                                                                                                                                                                                                                                                                                                                                                                                                                                                                                                            |
| <b>Age</b>           | Displays the number of seconds since this route was last updated or otherwise determined to be correct.                                                                                                                                                                                                                                                                                                                                                                                                                                                                                                                                                                                                                                                                                                                                                                                                                                                                                                                                                                                                                                                                                                                                                                                                                                                                                                                                                                                     |
| <b>PathType</b>      | <p>Indicates the route type, which is a combination of direct, indirect, best, alternative, and ECMP paths.</p> <ul style="list-style-type: none"> <li>• iA indicates Indirect Alternative route without an ECMP path</li> <li>• iAE indicates Indirect Alternative ECMP path</li> <li>• iB indicates Indirect Best route without ECMP path</li> <li>• iBE indicates Indirect Best ECMP path</li> <li>• dB indicates Direct Best route</li> <li>• iAN indicates Indirect Alternative route not in hardware</li> <li>• iAEN indicates Indirect Alternative ECMP route not in hardware</li> <li>• iBN indicates Indirect Best route not in hardware</li> <li>• iBEN indicates Indirect Best ECMP route not in hardware</li> <li>• dBN indicates Direct Best route not in hardware</li> <li>• iAU indicates Indirect Alternative Route Unresolved</li> <li>• iAEU indicates Indirect Alternative ECMP Unresolved</li> <li>• iBU indicates Indirect Best Route Unresolved</li> <li>• iBEU indicates Indirect Best ECMP Unresolved</li> <li>• dBU indicates Direct Best Route Unresolved</li> <li>• iBF indicates Indirect Best route replaced by FTN</li> <li>• iBEF indicates Indirect Best ECMP route replaced by FTN</li> <li>• iBV indicates Indirect best IPVPN route</li> <li>• iBEV indicates Indirect best ECMP IP VPN route</li> <li>• iBVN indicates Indirect best IP VPN route not in hardware</li> <li>• iBEVN indicates Indirect best ECMP IP VPN route not in hardware</li> </ul> |
| <b>Pref</b>          | Displays the preference.                                                                                                                                                                                                                                                                                                                                                                                                                                                                                                                                                                                                                                                                                                                                                                                                                                                                                                                                                                                                                                                                                                                                                                                                                                                                                                                                                                                                                                                                    |
| <b>NextHopVrflid</b> | Specifies the VRF ID of the next-hop address.                                                                                                                                                                                                                                                                                                                                                                                                                                                                                                                                                                                                                                                                                                                                                                                                                                                                                                                                                                                                                                                                                                                                                                                                                                                                                                                                                                                                                                               |

## Configuring an OSPF accept policy

Perform the following procedure to create or configure an OSPF accept policy.

For more information on IS-IS accept policy filters for Fabric Connect for Layer 3 VSNs and IP Shortcuts, see *Configuring Fabric Layer 3 Services*.

## Procedure

1. In the navigation pane, expand the following folders: **Configuration > IP**.
2. Click **Policy**.
3. Click the **OSPF Accept** tab.
4. Click **Insert**.
5. Configure the parameters as required.
6. Click **Insert**.

---

## OSPF Accept field descriptions

Use the data in the following table to use the **OSPF Accept** tab.

| Name                  | Description                                                                                                                                                                                                                                                                                                                                                                                                                                                                            |
|-----------------------|----------------------------------------------------------------------------------------------------------------------------------------------------------------------------------------------------------------------------------------------------------------------------------------------------------------------------------------------------------------------------------------------------------------------------------------------------------------------------------------|
| <b>AdvertisingRtr</b> | Specifies the routing ID of the advertising router.                                                                                                                                                                                                                                                                                                                                                                                                                                    |
| <b>Enable</b>         | Enables or disables the advertising router.<br><br>You can also enable or disable advertising in the OSPF Accept tab of the Policy dialog box by clicking in the field and selecting enable or disable from the menu. The default is disable.                                                                                                                                                                                                                                          |
| <b>MetricType</b>     | Specifies the OSPF external type. This parameter describes which types of OSPF ASE routes match this entry. <ul style="list-style-type: none"> <li>• Any means match either ASE type 1 or 2</li> <li>• Type1 means match any external type 1</li> <li>• Type2 means match any external type 2</li> </ul> You can also select your entry in the OSPF Accept tab of the Policy dialog box by clicking in the field and selecting any, type1, or type2 from the menu. The default is any. |
| <b>PolicyName</b>     | Specifies the name of the OSPF in filter policy.<br><br>Click the ellipsis button and choose from the list in the Policy Name dialog box. To clear an entry, use the ALT key.                                                                                                                                                                                                                                                                                                          |

---

## Configuring inbound/outbound filtering policies on a RIP interface

### About this task

Configure inbound filtering on a RIP interface to determine whether to learn a route on a specified interface and to specify the parameters of the route when it is added to the routing table. Configure outbound filtering on a RIP interface to determine whether to advertise a route from the routing table on a specified interface and to specify the parameters of the advertisement.

The port on which the multimedia filter is enabled becomes a DIFFSERV access port.

### Procedure

1. In the navigation pane, expand the following folders: **Configuration > IP**.
2. Click **Policy**.
3. Click the **RIP In/Out Policy** tab.
4. In the desired row, double-click the **InPolicy** or **OutPolicy** column.
5. Select a preconfigured In/Out policy and click **OK**.

---

## RIP In/Out Policy field descriptions

Use the data in the following table to use the **RIP In/Out Policy** tab.

| Name             | Description                                                                                                                                                                                                                    |
|------------------|--------------------------------------------------------------------------------------------------------------------------------------------------------------------------------------------------------------------------------|
| <b>Address</b>   | Specifies the IP address of the RIP interface.                                                                                                                                                                                 |
| <b>Interface</b> | Specifies the internal index of the RIP interface.                                                                                                                                                                             |
| <b>InPolicy</b>  | Specifies the policy name used for inbound filtering on this RIP interface. This policy determines whether to learn a route on this interface and specifies the parameters of the route when it is added to the routing table. |
| <b>OutPolicy</b> | Specifies the policy name used for outbound filtering on this RIP interface. This policy determines whether to advertise a route from the routing table on this interface and specifies the parameters of the advertisement.   |

---

## Deleting inbound/outbound filtering policies on a RIP interface

### About this task

Delete a RIP In/Out policy when you no longer want to learn a route on a specified interface or advertise a route from the routing table on a specified interface.



## Procedure

1. In the navigation pane, expand the following folders: **Configuration > IP**.
2. Click **Policy**.
3. Click the **RIP In/Out Policy** tab.
4. In the desired row, double-click the **InPolicy** or **OutPolicy** column for the policy you want to delete.
5. In the **InPolicy** or **OutPolicy** dialog box, press **CTRL** and then, click the policy you want to delete.
6. Click **OK**.

The policy is deleted and you are returned to the RIP In/Out Policy tab.

7. Click **Apply**.

# Chapter 12: IP routing configuration using the CLI

Configure the IP router interface so that you can configure and use routing protocols and features on the interface. This section contains instructions for both the Global Router and Virtual Router Forwarding (VRF) instances.

---

## Enabling routing globally or on a VRF instance

Use IP forwarding (routing) on a global level so that the device supports routing. You can use the IP address of an interface for IP-based network management.

### Procedure

1. Enter either Global Configuration mode or VRF Router Configuration mode for a specific VRF context:

```
enable
configure terminal
router vrf WORD<1-16>
```

2. Activate IP forwarding:

```
ip routing
```

3. View the forwarding configuration:

```
show ip routing [vrf WORD<0-16>] [vrfids WORD<0-512>]
```

### Example

Activate IP forwarding and view the forwarding configuration:

```
Switch:1>enable
Switch:1#configure terminal
Switch:1(config)#router vrf green
Switch:1(router-vrf)#ip routing
Switch:1(router-vrf)#show ip routing
```

```
=====
IP - GlobalRouter
=====
```

```

IP Forwarding is enabled
IP ECMP feature is disabled
Maximum ECMP paths number is 1
ECMP 1 pathlist :
ECMP 2 pathlist :
ECMP 3 pathlist :
ECMP 4 pathlist :
ECMP 5 pathlist :
ECMP 6 pathlist :
ECMP 7 pathlist :
ECMP 8 pathlist :
Gratuitous-Arp : enable
IP Alternative Route feature is enabled
IP More Specific Non Local Route feature is disabled
IP ICMP Unreachable Message is disabled
IP Supernetting is disabled
IP Icmp-echo-broadcast-request is enabled

IP Default TTL is 255 seconds
IP ARP life time is 360 minutes
IP Source Route Option is disabled

```

---

## Variable definitions

Use the data in the following table to use the `show ip routing` command.

**Table 14: Variable definitions**

| Variable                   | Value                                   |
|----------------------------|-----------------------------------------|
| vrf <i>WORD</i> <0-16>     | Specifies a VRF instance by VRF name.   |
| vrfids <i>WORD</i> <0-512> | Specifies a VRF instance by VRF number. |

---

## Enabling routing on an IP interface

### About this task

You can enable or disable routing capabilities on a VLAN or brouter port.

### Procedure

1. Enter Interface Configuration mode:

```
enable
```

```
configure terminal
```

```
interface GigabitEthernet {slot/port[/sub-port] [-slot/port[/sub-
port]][, ...]} or interface vlan <1-4059>
```

**\* Note:**

If your platform supports channelization and the port is channelized, you must also specify the sub-port in the format slot/port/sub-port.

## 2. Enable routing:

```
routing enable
```

**Example**

```
Switch:1>enable
Switch:1#configure terminal
Switch:1(config)#interface gigabitethernet 1/2
Switch:1(config-if)#routing enable
```

---

## Deleting a dynamically learned route

**About this task**

Delete a dynamically learned route from the routing table if you do not want the switch to use the route. Exercise caution when you delete entries from the routing table.

**Procedure**

## 1. Enter Global Configuration mode:

```
enable
configure terminal
```

## 2. View IP route information:

```
show ip route [<A.B.C.D>] [-s default|-s <A.B.C.D/X>] [alternative]
[count-summary] [spbm-nh-as-mac][preference] [vrf WORD<0-16>]
[vrfids WORD<0-512>] [static]
```

## 3. Delete the dynamically learned route:

```
no ip route <A.B.C.D> <A.B.C.D> <A.B.C.D> dynamic
```

**Example**

Delete a dynamically learned route:

```
Switch:1>enable
Switch:1#configure terminal
Switch:1(config)#no ip route 192.0.2.32 255.255.255.0 198.51.100.31 dynamic
```

---

## Variable definitions

Use the data in the following table to use the `show ip route` commands.

**Table 15: Variable definitions**

| Variable           | Value                                                                                       |
|--------------------|---------------------------------------------------------------------------------------------|
| <A.B.C.D>          | Specifies the IP address of the route to the network.                                       |
| alternative        | Displays the alternative routes.                                                            |
| count-summary      | Displays a summary of the number of routes learned from each routing protocol for each VRF. |
| preference         | Displays the route preference.                                                              |
| -s <A.B.C.D/X>     | Indicates the IP address and subnet mask for which to display routes.                       |
| -s default         | Indicates the default subnet.                                                               |
| static             | Displays the static route information.                                                      |
| vrf WORD<0-16>     | Displays the route for a particular VRF.                                                    |
| vrfids WORD<0-512> | Displays the route for a particular VRF number.                                             |
| spbm-nh-as-mac     | Displays the spbm route next hop as mac.                                                    |

Use the data in the following table to use the `no ip route` command.

**Table 16: Variable definitions**

| Variable                      | Value                                                                                 |
|-------------------------------|---------------------------------------------------------------------------------------|
| <A.B.C.D> <A.B.C.D> <A.B.C.D> | Specifies the IP address, the subnet mask, and the next-hop IP address, respectively. |
| dynamic                       | Specifies that a dynamic route is to be deleted.                                      |
| enable                        | Disables the route.                                                                   |
| local-next-hop enable         | Disables the local-next-hop option.                                                   |
| preference                    | Deletes the value of the route preference.                                            |
| next-hop-vrf WORD<0-16>       | Specifies the name of the next-hop VRF router.                                        |

---

## Configuring IP route preferences

### Before you begin

- Disable ECMP before you configure route preferences

### Important:

Changing route preferences can affect system performance and network accessibility while you perform the procedure. You must therefore change a prefix list or a routing protocol *before* you activate the protocols.

### About this task

Configure IP route preferences to give preference to routes learned for a specific protocol. You must disable ECMP before you configure route preferences.

To configure route preferences for a VRF, access VRF Router Configuration mode, rather than Global Configuration mode.

**Procedure**

1. Enter either Global Configuration mode or VRF Router Configuration mode for a specific VRF context:

```
enable
configure terminal
router vrf WORD<1-16>
```

2. Configure the route preference:

```
ip route preference protocol <static|ospf-intra|ospf-inter|ebgp|
ibgp|rip|ospf-extern1|ospf-extern2|spbm-level1> <0-255>
```

3. Confirm that the configuration is correct:

```
show ip route preference [vrf WORD<1-16>] [vrfids WORD<0-512>]
```

**Example**

Configure the route preference to SPBM Level 1 and confirm the configuration is correct.

```
Switch:1>enable
Switch:1#configure terminal
Switch:1(config)#ip route preference protocol spbm-level1 7
Switch:1(config)#show ip route preference
```

```
=====
 IP Route Preference - GlobalRouter
=====
```

| PROTOCOL   | DEFAULT | CONFIG |
|------------|---------|--------|
| LOCAL      | 0       | 0      |
| STATIC     | 5       | 5      |
| SPBM_L1    | 7       | 7      |
| OSPF_INTRA | 20      | 20     |
| OSPF_INTER | 25      | 25     |
| EBGP       | 45      | 45     |
| RIP        | 100     | 100    |
| OSPF_E1    | 120     | 120    |
| OSPF_E2    | 125     | 125    |
| IBGP       | 175     | 175    |

View the route preference configuration for a specific VRF, for example 444.

```
Switch:1>enable
Switch:1#configure terminal
Switch:1(config)#router vrf test
Switch:1(router-vrf)#show ip route preference vrf 444
```

```
=====
 IP Route Preference - VRF 444
=====
```

| PROTOCOL | DEFAULT | CONFIG |
|----------|---------|--------|
| LOCAL    | 0       | 0      |
| STATIC   | 5       | 5      |
| SPBM_L1  | 7       | 7      |

|            |     |     |
|------------|-----|-----|
| OSPF_INTRA | 20  | 20  |
| OSPF_INTER | 25  | 25  |
| EBGP       | 45  | 45  |
| RIP        | 100 | 100 |
| OSPF_E1    | 120 | 120 |
| OSPF_E2    | 125 | 125 |
| IBGP       | 175 | 175 |

---

## Variable definitions

Use the data in the following table to use the `ip route preference protocol` command.

| Variable     | Value                      |
|--------------|----------------------------|
| ebgp         | Protocol type eBGP         |
| ibgp         | Protocol type iBGP         |
| ospf-extern1 | Protocol type ospf-extern1 |
| ospf-extern2 | Protocol type ospf-extern2 |
| ospf-intra   | Protocol type ospf-intra   |
| ospf-inter   | Protocol type ospf-inter   |
| rip          | Protocol type rip          |
| spbm-level1  | Protocol type spbm-level1  |
| static       | Protocol type static       |

---

## Flushing routing tables by VLAN or port

### About this task

For administrative and troubleshooting purposes, flush the routing tables.

To flush tables on a VRF instance for a port or VLAN, ensure that the VRF is associated with the port or VLAN.

### Procedure

1. Enter GigabitEthernet Interface Configuration mode:

```
enable
configure terminal
interface GigabitEthernet {slot/port[/sub-port] [-slot/port[/sub-
port]][, ...]}
```

**\* Note:**

If your platform supports channelization and the port is channelized, you must also specify the sub-port in the format slot/port/sub-port.

## 2. Flush the routing tables:

```
action flushIp
```

**Example**

Flush the routing tables:

```
Switch:1>enable
Switch:1#configure terminal
Switch:1(config)#interface gigabitethernet 3/6
Switch:1(config-if)#action flushIp
```

---

## Assigning an IP address to a port

Assign an IP address to a port so that it supports routing operations.

**About this task**

Use a brouter port to route IP packets and to bridge all nonroutable traffic. The routing interface of the brouter port is not subject to the spanning tree state of the port. A brouter port can be in the blocking state for nonroutable traffic and still route IP traffic. This feature removes interruptions caused by Spanning Tree Protocol recalculations in routed traffic.

If an IP interface is configured without specifying the VRF instance, it maps to VRF 0 by default.

Use the `vrf` parameter to associate the port or VLAN with a VRF instance.

**Procedure**

## 1. Enter GigabitEthernet Interface Configuration mode:

```
enable

configure terminal

interface GigabitEthernet {slot/port[/sub-port] [-slot/port[/sub-
port]][,...]}
```

**\* Note:**

If your platform supports channelization and the port is channelized, you must also specify the sub-port in the format `slot/port/sub-port`.

## 2. Assign an IP address to the port:

Use one of the following commands, depending on your hardware platform:

- `brouter port {slot/port [-slot/port] [,...]} vlan <2-4059> subnet <A.B.C.D/X> [mac-offset <0-511>]`
- **On the VSP 4000 Series, use** `brouter port {slot/port [-slot/port] [,...]} vlan <2-4059> subnet <A.B.C.D/X> [mac-offset <0-127>]`

## 3. If required, associate the port with a VRF:

```
vrf WORD<1-16>
```



## 4. Confirm that the configuration is correct:

```
show brouter [<1-4084>]
```

**Example**

Assign an IP address to a port:

```
Switch:1>enable
Switch:1#configure terminal
Switch:1(config)#interface gigabitethernet 1/11
Switch:1(config-if)#brouter port 1/11 vlan 2202 subnet 47.17.10.31/255.255.255.0
```

## Variable definitions

Use the data in the following table to use the **brouter port** command.

| Variable                                                                                                    | Value                                                                                                                                                                                                                                                                                                           |
|-------------------------------------------------------------------------------------------------------------|-----------------------------------------------------------------------------------------------------------------------------------------------------------------------------------------------------------------------------------------------------------------------------------------------------------------|
| Depending on your hardware platform:<br>mac-offset <0-511><br>or<br>mac-offset <0-127> (on VSP 4000 Series) | Specifies a number by which to offset the MAC address of the brouter port from the chassis MAC address. This ensures that each IP address has a different MAC address. If you omit this variable, a unique MAC offset is automatically generated.<br><br>The range differs depending on your hardware platform. |
| {slot/port[/sub-port]}                                                                                      | Identifies a single slot and port. If your platform supports channelization and the port is channelized, you must also specify the sub-port in the format slot/port/sub-port.                                                                                                                                   |
| subnet <A.B.C.D/X>                                                                                          | Specifies the IP address and subnet mask (0–32).                                                                                                                                                                                                                                                                |
| <2-4059>                                                                                                    | Specifies the VLAN ID that is used if the port is tagged (802.1q encapsulation). The VLAN ID is unique to the switch and is not used if the port is untagged.                                                                                                                                                   |

Use the data in the following table to use the **show brouter** command.

| Variable | Value                                                                                                                                                         |
|----------|---------------------------------------------------------------------------------------------------------------------------------------------------------------|
| <1-4084> | Specifies the VLAN ID that is used if the port is tagged (802.1q encapsulation). The VLAN ID is unique to the switch and is not used if the port is untagged. |

## Assigning an IP address to a VLAN

Assign an IP address to a VLAN so that it supports routing operations.

**Before you begin**

- You must create the VLAN.

- Activate IP forwarding globally.

**About this task**

If an IP interface is configured without specifying the VRF instance, it maps to VRF 0 by default. Use the vrf parameter to associate the VLAN with a VRF instance.

**\* Note:**

The VRRP virtual IP address cannot be same as the local IP address of the port or VLAN on which VRRP is enabled.

**Procedure**

1. Enter VLAN Interface Configuration mode:

```
enable
configure terminal
interface vlan <1-4059>
```

2. Assign an IP address to a VLAN:

- For VSP 4000 series:

```
ip address <A.B.C.D/X>|<A.B.C.D> <A.B.C.D> [<0-127>]
```

- For VSP 8000 and 7200 series:

```
ip address <A.B.C.D/X>|<A.B.C.D> <A.B.C.D> [<0-511>]
```

- For VSP 8600 series:

```
ip address <A.B.C.D/X>|<A.B.C.D> <A.B.C.D> [<0-1535>]
```

3. (Optional) If required, associate the VLAN with a VRF:

```
vrf WORD<1-16>
```

**Example**

```
Switch:1> enable
Switch:1# configure terminal
Switch:1(config)# interface vlan 2
Switch:1(config-if)# ip address 192.0.2.5 255.255.255.0
```

**Variable definitions**

Use the data in the following table to use the **ip address** command.

| Variable                        | Value                                                                                |
|---------------------------------|--------------------------------------------------------------------------------------|
| <A.B.C.D/X> <A.B.C.D> <A.B.C.D> | Specifies the IP address and subnet mask in the format A.B.C.D/X or A.B.C.D A.B.C.D. |
| <0-127>                         | Specifies the MAC-offset value for VSP 4000 series.                                  |

*Table continues...*

| Variable | Value                                                        |
|----------|--------------------------------------------------------------|
| <0-511>  | Specifies the MAC-offset value for VSP 8000 and 7200 series. |
| <0-1535> | Specifies the MAC-offset value for VSP 8600.                 |

Use the data in the following table to use the `vrf` command.

| Variable   | Value                          |
|------------|--------------------------------|
| WORD<0-16> | Specifies the VRF of the VLAN. |

---

## Configuring an IP address for the management port

### \* Note:

This procedure only applies to hardware with a dedicated, physical management interface.

### About this task

Configure the IP address for the management port so that you can remotely access the device using the management port. The management port runs on a dedicated VRF and it is recommended that you redirect all commands that are run on the management port to its VRF.

The configured IP subnet has to be globally unique because the management protocols can go through in-band or out-of-band ports.

### Procedure

1. Enter mgmtEthernet Interface Configuration mode:

```
enable
configure terminal
interface mgmtEthernet <mgmt | mgmt2>
```
2. Configure the IP address and mask for the management port:

```
ip address <A.B.C.D> <A.B.C.D>
```
3. Show the complete network management information:

```
show interface mgmtEthernet
```
4. Show the management IP interface information:

```
show ip interface vrf mgmtrouter
```

### Example

Configure the IP address for the management port:

```
Switch:1>enable
Switch:1#configure terminal
Switch:1(config)#interface mgmtethernet mgmt
```

## IP routing configuration using the CLI

```
Switch:1(config-if)#ip address 192.0.2.31 255.255.255.0
Switch:1(config-if)#show interface mgmtethernet

=====
 Port Interface
=====
PORT LINK PORT PHYSICAL STATUS
NUM INDEX DESCRIPTION TRAP LOCK MTU ADDRESS ADMIN OP

mgmt 64 mgmtEthernet true false 1522 192.0.2.31 up up
```

---

## Variable definitions

Use the data in the following table to use the **ip address** command.

**Table 17: Variable definitions**

| Variable            | Value                                                 |
|---------------------|-------------------------------------------------------|
| <A.B.C.D> <A.B.C.D> | Specifies the IP address followed by the subnet mask. |

---

## Viewing IP addresses for all router interfaces

### About this task

Perform the following procedure to display information about all IP interfaces configured on the device.

### Procedure

1. Enter Privileged EXEC mode:  
enable
2. Show the IP interfaces and addresses on the device:  
show ip interface

### Example

Show the IP interfaces and addresses on the device:

```
Switch:1>enable
Switch:1#show ip interface

=====
 IP Interface - GlobalRouter
=====
INTERFACE IP NET BCASTADDR REASM VLAN BROUTER
ADDRESS MASK MASK FORMAT MAXSIZE ID PORT
```

| Interface | IP Address    | Subnet Mask   | Admin Distance | Priority | Cost | Other |
|-----------|---------------|---------------|----------------|----------|------|-------|
| Port1/6   | 192.0.2.6     | 255.255.255.0 | ones           | 1500     | 200  | true  |
| Vlan100   | 192.0.2.5     | 255.255.255.0 | ones           | 1500     | 100  | false |
| Vlan4000  | 198.51.100.21 | 255.255.255.0 | ones           | 1500     | 4000 | false |

## Variable definitions

Use the data in the following table to show `ip interface` command.

**Table 18: Variable definitions**

| Variable        | Value                                                         |
|-----------------|---------------------------------------------------------------|
| gigabitethernet | Displays IP interface information for Gigabit Ethernet ports. |
| vrf             | Displays interface information for a particular VRF.          |
| vrfids          | Displays interface information for particular VRF IDs.        |

## Configuring IP routing globally or for a VRF

Configure the IP routing protocol stack to specify which routing features the device can use. You can configure global parameters before or after you configure the routing protocols.

### About this task

To configure IP routing globally for a VRF instance, use VRF Router Configuration mode rather than Global Configuration mode.

#### \* Note:

Different hardware platforms can support a different number of ECMP paths. For more information, see *Release Notes*.

### Procedure

1. Enter either Global Configuration mode or VRF Router Configuration mode for a specific VRF context:

```
enable
configure terminal
router vrf WORD<1-16>
```

2. Configure the default TTL for all routing protocols to use:

```
ip ttl <1-255>
```

This value is placed into routed packets that have no TTL specified.

3. Activate ECMP:

- ```
ip ecmp
```
4. Activate the alternative route feature globally:


```
ip alternative-route
```
 5. Configure a prefix-list for target destination:


```
ip prefix-list WORD<1-64> <A.B.C.D/X>
```
 6. Set ECMP prefix-list to specify routes with needed number of paths:

Use one of the following commands, depending on your hardware platform:

 - `ip ecmp pathlist-<1-8> WORD<1-64>`
 - **On the VSP 4000 Series, use `ip ecmp pathlist-<1-4> WORD<1-64>`**
 7. Access privileged EXEC mode:


```
end
```
 8. Apply changes to all ECMP path-list apply configurations:


```
ip ecmp pathlist-apply
```
 9. Configure the remaining global parameters as required.

Example

Enable ECMP, configure a prefix-list for target destination, and set ECMP prefix-list to specify routes with needed number of paths.

```
Switch:1>enable
Switch:1#configure terminal
Switch:1(config)#ip ecmp
Switch:1(config)#ip prefix-list LIST1 192.0.2.50/255.255.255.0
Switch:1(config)#ip ecmp pathlist-1 LIST1
```

Access privileged EXEC mode. Apply changes to all ECMP path-list apply configurations.

```
Switch:1(config)#exit
Switch:1#ip ecmp pathlist-apply
```

Variable definitions

Use the data in the following table to use the `ip` command.

Table 19: Variable definitions

Variable	Value
alternative-route	Enables or disables the alternative route feature. The default value is enabled.

Table continues...

Variable	Value
	<p>If the <code>alternative-route</code> parameter is disabled, all existing alternative routes are removed. After you enable the parameter, all alternative routes are readded.</p> <p>The default form of this command is <code>default ip alternative-route</code>. The no form of this command is <code>no ip alternative-route</code>.</p>
<code>max-routes-trap enable</code>	<p>Enables the device to send a trap after the maximum number of routes is exceeded.</p> <p>The no form of this command is <code>no max-routes-trap enable</code>. The default form of this command is <code>default max-routes-trap enable</code>.</p>
<code>more-specific-non-local-route</code>	<p>Enables the <code>more-specific-non-local-route</code> feature. If enabled, the device can enter a more-specific nonlocal route into the routing table. The default is disabled.</p> <p>The default form of this command is <code>default ip more-specific-non-local-route</code>. The no form of this command is <code>no ip more-specific-non-local-route</code>.</p>
<code>routing</code>	<p>Enables routing.</p> <p>The no form of this command is <code>no ip routing</code>.</p>
<code>supernet</code>	<p>Enables or disables supernetting.</p> <p>If you globally enable supernetting, the device can learn routes with a route mask of less than eight bits. Routes with a mask length less than eight bits cannot have ECMP paths, even if the ECMP feature is globally enabled. The default is disabled.</p> <p>The default form of this command is <code>default ip supernet</code>. The no form of this command is <code>no ip supernet</code>.</p>
<code>ttl <1-255></code>	<p>Configures the default time-to-live (TTL) value for a routed packet. The TTL is the maximum number of seconds before a packet is discarded. The default value of 255 is used whenever a time is not supplied in the datagram header.</p> <p>The default form of this command is <code>default ip ttl</code>.</p>

Use the data in the following table to use the `ip ecmp` command.

Table 20: Variable definitions

Variable	Value
<code>pathlist-1 WORD<0-64></code>	Configures one equal-cost path to the same destination prefix. To remove the policy, enter a blank string.

Table continues...

Variable	Value
	To configure this parameter, you must globally activate ECMP, with the command <code>ip ecmp</code> . The no form of this command is <code>no ip ecmp pathlist-1</code> .
<code>pathlist-2 WORD<0-64></code> <code>WORD<0-64></code>	Configures up to two equal-cost paths to the same destination prefix. To remove the policy, enter a blank string. To configure this parameter, you must globally activate ECMP, with the command <code>ip ecmp</code> . The no form of this command is <code>no ip ecmp pathlist-2</code> .
<code>pathlist-3 WORD<0-64></code>	Configures up to three equal-cost paths to the same destination prefix. To remove the policy, enter a blank string. To configure this parameter, you must globally activate ECMP, with the command <code>ip ecmp</code> . The no form of this command is <code>no ip ecmp pathlist-3</code> .
<code>pathlist-4 WORD<0-64></code>	Configures up to four equal-cost paths to the same destination prefix. To remove the policy, enter a blank string. To configure this parameter, you must globally activate ECMP, with the command <code>ip ecmp</code> . The no form of this command is <code>no ip ecmp pathlist-4</code> .
<code>pathlist-5 WORD<0-64></code>	Configures up to five equal-cost paths to the same destination prefix. To remove the policy, enter a blank string. To configure this parameter, you must globally activate ECMP, with the command <code>ip ecmp</code> . The no form of this command is <code>no ip ecmp pathlist-5</code> .
<code>pathlist-6 WORD<0-64></code>	Configures up to six equal-cost paths to the same destination prefix. To remove the policy, enter a blank string. To configure this parameter, you must globally activate ECMP, with the command <code>ip ecmp</code> . The no form of this command is <code>no ip ecmp pathlist-6</code> .
<code>pathlist-7 WORD<0-64></code>	Configures up to seven equal-cost paths to the same destination prefix. To remove the policy, enter a blank string. To configure this parameter, you must globally activate ECMP, with the command <code>ip ecmp</code> . The no form of this command is <code>no ip ecmp pathlist-7</code> .
<code>pathlist-8 WORD<0-64></code>	Configures up to eight equal-cost paths to the same destination prefix. To remove the policy, enter a blank string. To configure this parameter, you must globally activate ECMP, with the command <code>ip ecmp</code> . The no form of this command is <code>no ip ecmp pathlist-8</code> .

Table continues...

Variable	Value
Depending on your hardware platform, specify: max-path <1-8> Or max-path <1-4>(on VSP 4000 Series)	Configures the maximum number of ECMP paths. For more information on the maximum number of ECMP paths supported on your switch, see <i>Release Notes</i> . The default form of this command is <code>default ip ecmp max-path</code> .

Use the data in the following table to use the `ip icmp` commands.

Table 21: Variable definitions

Variable	Value
unreachable	Enables the device to send ICMP unreachable messages. When enabled, this variable generates Internet Control Message Protocol (ICMP) network unreachable messages if the destination network is not reachable from this router. These messages help determine if the device is reachable over the network. The default is disabled. The default form of this command is <code>default ip icmp unreachable</code> .

Configuring static routes

Before you begin

- Ensure no black hole static route exists.

About this task

Configure a static route when you want to manually create a route to a destination IP address.

If a black hole route is enabled, you must first delete or disable it before you can add a regular static route to that destination.

For route scaling information and for information on the maximum number of static routes supported on your hardware platform, see *Release Notes*.

* Note:

It is recommended that you do not configure static routes on a DvR Leaf node unless the configuration is for reachability to a management network using a Brouter port.

Also, configuring the preference of static routes is not supported on a Leaf node.

Procedure

1. Enter either Global Configuration mode or VRF Router Configuration mode for a specific VRF context:

```
enable
configure terminal
router vrf WORD<1-16>
```

2. Create an IP static route:

```
ip route <A.B.C.D> <A.B.C.D> <A.B.C.D> weight <1-65535>
```

3. Enable an IP static route:

```
ip route <A.B.C.D> <A.B.C.D> <A.B.C.D> enable
```

4. Use the following variable definitions table to configure other static route parameters as required.

5. View existing IP static routes for the device, or for a specific network or subnet:

```
show ip route static
```

6. Delete a static route:

```
no ip route <A.B.C.D> <A.B.C.D> <A.B.C.D>
```

Example

Create an IP static route, enable a static route, and view the existing IP static routes for the device, or for a specific network or subnet.

```
Switch:1>enable
Switch:1#configure terminal
Switch:1(config)#ip route 192.0.2.2 255.255.0.0 198.51.100.24 weight 20 preference 1
Switch:1(config)#ip route 192.0.2.2 255.255.0.0 198.51.100.24 enable
Switch:1(config)#show ip route static
=====
IP Static Route - GlobalRouter
=====
DEST          MASK          NEXT          NH-VRF        COST  PREF  LCLNHOP  STATUS  ENABLE
-----
192.0.2.2    255.255.255.0 198.51.100.24 GlobalRouter  20    1     TRUE     ACTIVE  TRUE
```

Variable definitions

Use the data in the following table to use the `ip route` command.

Table 22: Variable definitions

Variable	Value
<A.B.C.D> <A.B.C.D> <A.B.C.D>	The first and second <A.B.C.D> specify the IP address and mask for the route destination. The third <A.B.C.D> specifies the IP address of the next-hop router (the next router at which packets must arrive on this route). When you create a black hole static route, configure this

Table continues...

Variable	Value
	parameter to 255.255.255.255 as the IP address of the router through which the specified route is accessible.
disable	Disables a route to the router or VRF.
enable	<p>Adds a static route to the router or VRF.</p> <p>The no form of this command is <code>no ip route <A.B.C.D> <A.B.C.D> <A.B.C.D> enable</code>.</p> <p>The default form of this command is <code>default ip route <A.B.C.D> <A.B.C.D> <A.B.C.D> enable</code>.</p>
local-next-hop enable	<p>Enables the local next hop for this static route. The default form of this command is <code>default ip route <A.B.C.D> <A.B.C.D> <A.B.C.D> local-next-hop enable</code>.</p> <p>The no form of this command is <code>no ip route <A.B.C.D> <A.B.C.D> <A.B.C.D> local-next-hop enable</code>.</p>
next-hop-vrf <WORD 0-16>	<p>Specifies the next-hop VRF instance by name.</p> <p>After you configure the next-hop-vrf parameter, the static route is created in the local VRF, and the next-hop route is resolved in the next-hop VRF instance (next-hop-vrf).</p> <p>The default form of this command is <code>default ip route <A.B.C.D> <A.B.C.D> <A.B.C.D> next-hop-vrf <WORD 0-16></code>.</p> <p>The no form of this command is <code>no ip route <A.B.C.D> <A.B.C.D> <A.B.C.D> next-hop-vrf <WORD 0-16></code>.</p>
weight <1-65535>	<p>Specifies the static route cost.</p> <p>The default form of this command is <code>default ip route <A.B.C.D> <A.B.C.D> <A.B.C.D> weight</code>.</p>
preference <1-255>	<p>Specifies the route preference.</p> <p>The default form of this command is <code>default ip route <A.B.C.D> <A.B.C.D> <A.B.C.D> preference</code>.</p>

Use the data in the following table to use the `show ip route static` command.

Table 23: Variable definitions

Variable	Value
<A.B.C.D>	Specifies the route by IP address.
-s { <A.B.C.D> <A.B.C.D> default}	Specifies the route by IP address and subnet mask.
vrf WORD<0-16>	Specifies a VRF by name.
vrfids WORD<0-512>	Specifies a range of VRF IDs.

Configuring a black hole static route

About this task

Configure a black hole static route to the destination a router advertises to avoid routing loops after the router aggregates or injects routes to other routers.

If a black hole route is enabled, you must first delete or disable it before you can add a regular static route to that destination.

Procedure

1. Enter either Global Configuration mode or VRF Router Configuration mode for a specific VRF context:

```
enable
configure terminal
router vrf WORD<1-16>
```

2. Create a black hole static route:

```
ip route <A.B.C.D> <A.B.C.D> 255.255.255.255 weight <1-65535>
```

3. Enable a black hole static route:

```
ip route <A.B.C.D> <A.B.C.D> 255.255.255.255 enable [next-hop-vrf
WORD<0-16>]
```

4. Configure other black hole static route parameters as required.

When you specify a route preference, appropriately configure the preference so that when the black-hole route is used, it is elected as the best route.

Example

Create a black hole static route and enable the black hole static route.

```
Switch:1>enable
Switch:1#configure terminal
Switch:1(config)#ip route 192.0.2.0 255.255.0.0 255.255.255.255 weight 200
Switch:1(config)#ip route 192.0.2.0 255.255.0.0 255.255.255.255 enable
```

Variable definitions

Use the data in the following table to use the `ip route` command.

Table 24: Variable definitions

Variable	Value
<A.B.C.D>	The first and second <A.B.C.D> specify the IP address and mask for the route destination. 255.255.255.255 is the destination of the black hole route.

Table continues...

Variable	Value
enable	Adds a static route to the router or VRF. The no form of this command is <code>no ip route <A.B.C.D> <A.B.C.D> 255.255.255.255 enable</code> .
local-next-hop enable	Enables the local next hop for this static route. The default form of this command is <code>default ip route <A.B.C.D> <A.B.C.D> <A.B.C.D> local-next-hop enable</code> . The no form of this command is <code>no ip route <A.B.C.D> <A.B.C.D> 255.255.255.255 local-next-hop enable</code> .
next-hop-vrf <i>WORD<0-16></i>	Specifies the next-hop VRF instance by name. The default form of this command is <code>default ip route <A.B.C.D> <A.B.C.D> 255.255.255.255 next-hop-vrf <WORD 0-16></code> . The no form of this command is <code>no ip route <A.B.C.D> <A.B.C.D> 255.255.255.255 next-hop-vrf <WORD 0-16></code> .
weight <i><1-65535></i>	Specifies the static route cost. The default form of this command is <code>default ip route <A.B.C.D> <A.B.C.D> 255.255.255.255 weight</code> .
preference <i><1-255></i>	Specifies the route preference. The default form of this command is <code>default ip route <A.B.C.D> <A.B.C.D> 255.255.255.255 preference</code> .

Configuring a default static route

About this task

The default route specifies a route to all networks for which there are no explicit routes in the forwarding information base or the routing table. This route has a prefix length of zero (RFC 1812). You can configure the switch with a static default route, or they can learn it through a dynamic routing protocol.

To create a default static route, you configure the destination address and subnet mask to 0.0.0.0.

Note:

It is recommended that you do not configure static routes on a DvR Leaf node unless the configuration is for reachability to a management network using a Brouter port.

Also, configuring the preference of static routes is not supported on a Leaf node.

Procedure

1. Enter either Global Configuration mode or VRF Router Configuration mode for a specific VRF context:

```
enable
configure terminal
router vrf WORD<1-16>
```

2. Create a default static route:

```
ip route 0.0.0.0 0.0.0.0 <A.B.C.D> weight <1-65535>
```

3. Enable a default static route:

```
ip route 0.0.0.0 0.0.0.0 <A.B.C.D> enable [next-hop-vrf WORD<0-16>]
```

4. Configure other default static route parameters as required.

Example

Create a default static route and enable the default static route.

```
Switch:1>enable
Switch:1>configure terminal
Switch:1(config)#ip route 0.0.0.0 0.0.0.0 192.0.2.128 weight 100
Switch:1(config)#ip route 0.0.0.0 0.0.0.0 192.0.2.128 enable
```

Variable definitions

Use the data in the following table to use the `ip route` command.

Table 25: Variable definitions

Variable	Value
<A.B.C.D>	<A.B.C.D> specifies the IP address of the next-hop router (the next router at which packets must arrive on this route).
enable	Adds a static or default route to the router or VRF. The no form of this command is <code>no ip route 0.0.0.0 0.0.0.0 <A.B.C.D> enable</code> .
local-next-hop enable	Enables the local next hop for this static route. The default form of this command is <code>default ip route 0.0.0.0 0.0.0.0 <A.B.C.D> local-next-hop enable</code> . The no form of this command is <code>no ip route 0.0.0.0 0.0.0.0 <A.B.C.D> local-next-hop enable</code> .
next-hop-vrf WORD<0-16>	Specifies the next-hop VRF instance by name. The default form of this command is <code>default ip route 0.0.0.0 0.0.0.0 <A.B.C.D> next-hop-vrf WORD<0-16></code> . The no form of this command is <code>no ip route 0.0.0.0 0.0.0.0 <A.B.C.D> next-hop-vrf WORD<0-16></code> .
weight <1-65535>	Specifies the static route cost.

Table continues...

Variable	Value
	The default form of this command is <code>default ip route 0.0.0.0 0.0.0.0 <A.B.C.D> weight.</code>
preference <1-255>	Specifies the route preference. The default form of this command is <code>default ip route 0.0.0.0 0.0.0.0 <A.B.C.D> preference.</code>

Enabling ICMP Router Discovery globally

About this task

Enable Router Discovery globally so that the device supports Router Discovery. Use ICMP Router Discovery to enable hosts attached to the broadcast network to discover the IP addresses of their neighboring routers.

If you enable ICMP Router Discovery globally, you automatically enable it for all VLANs. If you do not require ICMP Router Discovery on a specific VLAN, you must manually disable the feature.

Procedure

1. Enter either Global Configuration mode or VRF Router Configuration mode for a specific VRF context:

```
enable
configure terminal
router vrf WORD<1-16>
```

2. Enable ICMP Router Discovery on the device:

```
ip irdp
```

3. Confirm that Router Discovery is enabled:

```
show ip irdp [vrf WORD<0-16>] [vrfids WORD<0-512>]
```

Example

Enable ICMP router discovery on the device and confirm that router discovery is enabled.

```
Switch:1>enable
Switch:1#configure terminal
Switch:1(config)#ip irdp
Switch:1(config)#show ip irdp
      VRF "GlobalRouter" (Global Routing Table) : Router Discovery Enabled
```

Variable definitions

Use the data in the following table to show `ip irdp` command.

Table 26: Variable definitions

Variable	Value
interface	Displays route discovery interface information.
vrf <i>WORD</i> <0–16>	Displays route discovery for particular VRF.
vrfids <i>WORD</i> <0–512>	Displays route discovery for particular VRF IDs.

Enabling or disabling IPv4 ICMP broadcast globally

On disabling the ICMP broadcast processing, all the packets containing ICMP sent to broadcast addresses, will be dropped when they reach the control plane.

About this task

Use these commands to enable or disable the IPv4 ICMP broadcast feature on the global router.


Procedure

1. Enter Global Configuration mode:


```
enable
configure terminal
```
 2. Enable IPv4 ICMP broadcast feature, enter:


```
ip icmp echo-broadcast-request
```
 3. Disable IPv4 ICMP broadcast feature, enter:


```
no ip icmp echo-broadcast-request
```
 4. Set the IPv4 ICMP broadcast feature to default state, enter:


```
default ip icmp echo-broadcast-request
```
-  **Note:**
By default, the IPv4 ICMP broadcast feature is enabled.
5. View the IPv4 ICMP broadcast feature state:


```
show ip routing
```

Enabling or disabling IPv4 ICMP broadcast per VRF

On disabling the ICMP broadcast processing, all the packets containing ICMP sent to broadcast addresses, will be dropped when they reach the control plane.

About this task

Use these commands to enable or disable the IPv4 ICMP broadcast feature on the VRF router.

Procedure

1. Enter VRF Router Configuration mode for a specific VRF context:

```
enable
configure terminal
router vrf WORD<1-16>
```

2. Enable IPv4 ICMP broadcast feature, enter:

```
ip icmp echo-broadcast-request
```

3. Disable IPv4 ICMP broadcast feature, enter:

```
no ip icmp echo-broadcast-request
```

4. Set the IPv4 ICMP broadcast feature to default state, enter:

```
default ip icmp echo-broadcast-request
```

*** Note:**

By default, the IPv4 ICMP broadcast feature is enabled.

5. View the IPv4 ICMP broadcast feature state:

```
show ip routing
```

Configuring Router Discovery on a port or VLAN

Enable Router Discovery so that the device forwards Router Discovery Advertisement packets to the VLAN or port.

Procedure

1. Enter Interface Configuration mode:

```
enable
configure terminal
interface GigabitEthernet {slot/port[/sub-port] [-slot/port[/sub-port]][, ...]} or interface vlan <1-4059>
```

*** Note:**

If your platform supports channelization and the port is channelized, you must also specify the sub-port in the format slot/port/sub-port.

2. Specify the address placed in advertisement packets:

```
ip irdp address <A.B.C.D>
```

3. Enable the interface to send the advertisement packets:

```
ip irdp multicast
```

4. Configure other Router Discovery parameters for the interface as required.

Example

Log on to the GigabitEthernet Interface mode:

```
Switch:1> enable
Switch:1# configure terminal
Switch:1(config)# interface gigabitethernet 1/16
```

Specify the address placed in advertisement packets to the all-systems multicast address:

```
Switch:1(config-if)# ip irdp address 244.0.0.1
```

Enable the interface to send the advertisement packets:

```
Switch:1(config-if)# ip irdp multicast
```

Configure the lifetime for advertisements:

```
Switch:1(config-if)# ip irdp holdtime 180
```

Variable definitions

Use the data in the following table to use the `ip irdp` command.

Table 27: Variable definitions

Variable	Value
address <A.B.C.D>	Specifies the IP destination address use for broadcast or multicast router advertisements sent from the interface. The address is the all-systems multicast address, 224.0.0.1, or the limited-broadcast address, 255.255.255.255. The default address is 255.255.255.255. The default form of this command is <code>default ip irdp address</code> .
holdtime <4-9000>	Configures the lifetime for advertisements. The default form of this command is <code>default ip irdp holdtime</code> .
maxadvertinterval <4-1800>	Specifies the maximum time (in seconds) that elapses between unsolicited router advertisement transmissions from the router interface. The default is 600 seconds. The default form of this command is <code>default ip irdp maxadvertinterval</code> .
minadvertinterval <3-1800>	Specifies the minimum time (in seconds) that elapses between unsolicited router advertisement transmissions from the interface. The range is 3 seconds to <code>maxadvertinterval</code> .

Table continues...

Variable	Value
	The default is 450 seconds. The default form of this command is <code>default ip irdp minadvertinterval</code> .
multicast	Specifies if multicast advertisements are sent. The no form of this command is <code>no ip irdp multicast</code> .
preference <-2147483648-2147483647>	Specifies the preference (a higher number indicates more preferred) of the address as a default router address relative to other router addresses on the same subnet. The default is 0. The default form of this command is <code>default ip irdp preference</code> .

Configuring a CLIP interface

About this task

Configure a circuitless IP (CLIP) interface to provide a virtual interface that is not associated with a physical port. You can use a CLIP interface to provide uninterrupted connectivity to your device.

For scaling information and for information on the maximum number of CLIP interfaces you can configure on your device, see *Release Notes*.

Procedure

1. Enter Global Configuration mode:

```
enable
configure terminal
```

2. Create or access a CLIP interface:

```
interface loopback <1-256>
```

<1-256> indicates the identification number for the CLIP.

The command prompt changes to indicate you now access the Loopback Interface Configuration mode.

3. Configure an IP address for the interface:

```
ip address [<1-256>] <A.B.C.D/X> [vrf WORD<0-16>]
```

4. Enable OSPF on the CLIP interface:

```
ip ospf [<1-256>] [vrf WORD<1-16>]
```

You can configure other protocols on the CLIP interface; OSPF is the most common. See the following variable definitions table for other options.

5. View the IP address on the CLIP interface:

```
show ip interface
```

Example

Create a CLIP interface, and enable OSPF on the CLIP interface.

```
Switch:1>enable
Switch:1#configure terminal
Switch:1(config)#interface loopback 200
Switch:1(config-if)#ip address 200 192.0.2.120/255.255.0.0
Switch:1(config-if)#show ip interface
```

```
=====
                        IP Interface - GlobalRouter
=====
```

INTERFACE	IP ADDRESS	NET MASK	BCASTADDR FORMAT	REASM MAXSIZE	VLAN ID	BROUTER PORT
loopback200	192.0.2.120	255.255.255.0	ones	1500		false
Vlan999	198.51.100.63	255.255.254.0	ones	1500	999	false

```
Switch:1(config-if)#ip ospf 200
```

Variable definitions

Use the data in the following table to use the ip commands.

Table 28: Variable definitions

Variable	Value
address [<1-256>] <A.B.C.D/X> [vrf WORD<0-16>]	Specifies the IP address for the CLIP interface. <1-256> specifies the interface. <A.B.C.D/X> specifies the IP address and mask (0–32). vrf WORD<0-16> specifies an associated VRF by name. The no form of this command is no ip address [<1-32>] <A.B.C.D> [vrf WORD<0-16>].
area <1-256> <A.B.C.D> [vrf WORD<0-16>]	Designates an area for the CLIP interface. vrf WORD<0-16> specifies an associated VRF by name The default form of this command is default ip area <1-256> <A.B.C.D> [vrf WORD<0-16>]. The no form of this command is no ip area <1-256> vrf WORD<0-16>].

Viewing TCP and UDP information

Use this procedure to view TCP and UDP configuration information for IPv4.

Procedure

1. Enter Privileged EXEC mode:
enable
2. View the IPv4 TCP connection information:
show ip tcp connections
3. View the IPv4 TCP connection information for a specific vrf or vrfids:
show ip tcp connections vrf WORD<0-16>
show ip tcp connections vrfids WORD<0-512>
4. View IPv4 TCP properties:
show ip tcp properties
5. View IPv4 TCP statistics
show ip tcp statistics
6. View IPv4 udp endpoints
show ip udp endpoints
7. View IPv4 udp statistics
show ip udp statistics

Example

```
Switch:1#show ip tcp connections
```

```
=====
                        TCP connection table info
=====
```

LOCALPORT	LOCALADDR	REMOTEPORT	REMOTEADDR	STATE	VRF ID
21	0.0.0.0	0	0.0.0.0	listen	0
22	0.0.0.0	0	0.0.0.0	listen	0
23	0.0.0.0	0	0.0.0.0	listen	0
80	0.0.0.0	0	0.0.0.0	listen	0
443	0.0.0.0	0	0.0.0.0	listen	0
23	192.0.2.146	52583	198.51.100.30	established	0

```
Switch:1#show ip tcp properties
```

```
show ip tcp global properties command:
-----
RtoAlgorithm      constant
RtoMin            5002 milliseconds
RtoMax            60128 milliseconds
MaxConn           127
```

```
Switch:1#show ip tcp statistics
```

```
show ip tcp global statistics:
-----
ActiveOpens:      0
PassiveOpens:    240
AttemptFails:     0
```

IP routing configuration using the CLI

```
EstabResets:      239
CurrEstab:        1
InSegs:           5807
OutSegs:          6819
RetransSegs:     24
InErrs:           0
OutRsts:          29
```

```
Switch:1#show ip udp endpoints
```

```
=====
                        UDP endpoint table info
=====
-----
LOCALPORT   LOCALADDRESS      REMOTEPORT  REMOTEADDRESS    PROCESS      INSTANCE
26          0.0.0.0 0        0.0.0.0 1          0               0
67          0.0.0.0 0        0.0.0.0 1          0               0
69          0.0.0.0 0        0.0.0.0 1          0               0
161        0.0.0.0 0        0.0.0.0 1          0               0
```

```
Switch:1#show ip udp statistics
```

```
show ip udp info:
-----
InDatagrams:      887
NoPorts:          0
InErrors:         0
OutDatagrams:     887
HCInDatagrams:   887
HCOutDatagrams:  887
```

Variable definitions

Use the data in the following table to use the `show ip tcp` command.

Variable	Value
connections	Specifies the TCP connection information. Use the following parameters: <ul style="list-style-type: none">vrf WORD<0–16> Specifies a virtual routing and forwarding (VRF) by name.vrfids WORD<0–512> Specifies the IDs of a VRF path as an integer from 1 to 512. Example: <code>show ip tcp connections vrf 0</code>
properties	Specifies the TCP global properties information.
statistics	Specifies the TCP global statistics.

Use the data in the following table to use the `show ip udp` command.

Variable	Value
endpoints	Specifies the IP UDP endpoint information.
statistics	Specifies IP UDP statistics information.

Chapter 13: IP routing configuration using Enterprise Device Manager

Configure the IP router interface so that you can use routing protocols and features on the interface. This section contains instructions for both the Global Router and Virtual Router Forwarding (VRF) instances.

Enabling routing for a router or a VRF instance

About this task

Enable IP forwarding (routing) on a router or a Virtual Router Forwarding (VRF) instance so that they support routing. You can use the IP address of any physical or virtual router interface for an IP-based network management.

Procedure

1. In the navigation tree, expand the following folders: **Configuration > IP**.
2. Click **IP**.
3. Click the **Globals** tab.
4. To enable routing, select **Forwarding**.
5. Click **Apply**.

Deleting a dynamically-learned route

About this task

Use the Routes tab to view and manage the contents of the system routing table. You can also delete a dynamically learned route using this table. Exercise caution if you delete entries from the route table.

To delete a static route, use the **StaticRoute** tab.

To delete dynamic routes from the table for a VRF instance, first select the appropriate instance.

Procedure

1. In the navigation tree, expand the following folders: **Configuration > IP**.
2. Click **IP**.
3. Click the **Routes** tab.
4. To delete a route, select the route and click **Delete**.

Routes field descriptions

Use the data in the following table to use the **Routes** tab.

Name	Description
Dest	Specifies the destination IP network of this route. An entry with a value of 0.0.0.0 is a default route. Multiple routes to a single destination can appear in the table, but access to multiple entries depends on the table access mechanisms defined by the network management protocol in use.
Mask	Indicates the network mask to logically add with the destination address before comparison to the destination IP network.
NextHop	Specifies the IP address of the next hop of this route.
AltSequence	Indicates the alternative route sequence. The value of 0 denotes the best route.
NextHopId	Specifies the identifier of the next-hop, hostname or MAC address.
HopOrMetric	Specifies the primary routing metric for this route. The semantics of this metric are specific to various routing protocols.
Interface	Specifies the router interface for this route. <ul style="list-style-type: none"> • Virtual router interfaces are identified by the VLAN number of the VLAN followed by the (VLAN) designation. • Brouter interfaces are identified by the slot and port number of the brouter port.
Proto	Specifies the routing mechanism through which this route was learned: <ul style="list-style-type: none"> • local—nonprotocol information, for example, manually configured entries • static • isis • inter-vrf redistributed route
Age	Specifies the number of seconds since this route was last updated or otherwise determined correct.

Table continues...

Name	Description
PathType	<p>Indicates the route type, which is a combination of direct, indirect, best, alternative, and ECMP paths.</p> <ul style="list-style-type: none"> • iA indicates Indirect Alternative route without an ECMP path • iAE indicates Indirect Alternative ECMP path • iB indicates Indirect Best route without ECMP path • iBE indicates Indirect Best ECMP path • dB indicates Direct Best route • iAN indicates Indirect Alternative route not in hardware • iAEN indicates Indirect Alternative ECMP route not in hardware • iBN indicates Indirect Best route not in hardware • iBEN indicates Indirect Best ECMP route not in hardware • dBN indicates Direct Best route not in hardware • iAU indicates Indirect Alternative Route Unresolved • iAEU indicates Indirect Alternative ECMP Unresolved • iBU indicates Indirect Best Route Unresolved • iBEU indicates Indirect Best ECMP Unresolved • dBU indicates Direct Best Route Unresolved • iBF indicates Indirect Best route replaced by FTN • iBEF indicates Indirect Best ECMP route replaced by FTN • iBV indicates Indirect best IPVPN route • iBEV indicates Indirect best ECMP IP VPN route • iBVN indicates Indirect best IP VPN route not in hardware • iBEVN indicates Indirect best ECMP IP VPN route not in hardware
Pref	Specifies the preference.
NextHopVrflid	Specifies the VRF ID of the next-hop address.

Configuring IP route preferences

Before you begin

- Disable ECMP before you configure route preferences.

About this task

Change IP route preferences to force the routing protocols to prefer a route over another. Configure IP route preferences to override default route preferences and give preference to routes learned for a specific protocol.

Important:

Changing route preferences is a process-oriented operation that can affect system performance and network reachability while you perform the procedures. Therefore, it is recommended that if you want to change default preferences for routing protocols, you do so before you enable the protocols.

Procedure

1. In the navigation tree, expand the following folders: **Configuration > IP**.
2. Click **IP**.
3. Click the **RoutePref** tab.
4. In the **ConfiguredValue** column, change the preference for the given protocol.
5. Click **Apply**.

RoutePref field descriptions

Use the data in the following table to use the **RoutePref** tab.

Name	Description
DefaultValue	Specifies the default preference value for the specified protocol.
Protocol	Specifies the protocol name.
ConfiguredValue	Configures the preference value for the specified protocol.

Flushing routing tables by VLAN

About this task

For administrative and troubleshooting purposes, sometimes you must flush the routing tables. You can use Enterprise Device Manager (EDM) to flush the routing tables by VLAN or by port. Use this procedure to flush the IP routing table for a VLAN.

To flush routing tables by VLAN for a VRF instance, first select the appropriate instance.

Procedure

1. In the navigation tree, expand the following folders: **Configuration > VLAN**.
2. Click **VLANS**.
3. Click the **Advanced** tab.

4. In the **Vlan Operation Action** column, select a flush option.

In a VLAN context, all entries associated with the VLAN are flushed. You can flush the ARP entries and IP routes for the VLAN.

5. Click **Apply**.

Flushing routing tables by port

For administrative and troubleshooting purposes, sometimes you must flush the routing tables. You can use EDM to flush the routing tables by VLAN or flush them by port. Use this procedure to flush the IP routing table for a port.

About this task

To flush routing tables by port for a VRF instance, first select the appropriate instance.

Procedure

1. In the Device Physical View, select a port.
2. In the navigation tree, expand the following folders: **Configuration > Edit > Port**.
3. Click **General**.
4. Click the **Interface** tab.
5. In the **Action** section, select **flushAll**.

In a port context, all entries associated with the port are flushed. You can flush the ARP entries and IP routes for a port.

After you flush a routing table, it is not automatically repopulated. The repopulation time delay depends on the routing protocols in use.

6. Click **Apply**.

Assigning an IP address to a port

Assign an IP address to a port so that it acts as a routable VLAN (a brouter port) and supports IP routing.

To configure a brouter port, assign an IP address to an IP policy-based single-port VLAN.

Before you begin

- Ensure routing (forwarding) is globally enabled.
- Ensure the VLAN is configured.
- If required, ensure the VRF instance exists.

About this task

Important:

After you configure the IP address, you cannot edit the IP address, and you can assign only one IP address to any router interface (brouter or virtual).

You cannot assign an IP address to a brouter port that is a member of a routed VLAN. To assign an IP address to the brouter port, you must first remove the port from the routed VLAN.

If you want to assign a new IP address to a VLAN or brouter port that already has an IP address, first delete the existing IP address and then insert the new IP address.

Procedure

1. In Device Physical View, select the port.
2. In the navigation tree, expand the **Configuration > Edit > Port** folders.
3. Click **IP**.
4. Click the **IP Address** tab.
5. Click **Insert**.
6. In the **Insert IP Address** dialog box, type the IP address, network mask, and VLAN ID.
7. Click **Insert**.

IP Address field descriptions

Use the data in the following table to help use the **IP Address** tab.

Name	Description
Interface	Specifies the router interface. <ul style="list-style-type: none"> • The name of the VLAN followed by the VLAN designation identifies virtual router interfaces. • The slot and port number of the brouter port identifies brouter interfaces.
Ip Address	Specifies the IP address of the brouter interface on this port. You can define only one IP address on a given port interface.
Net Mask	Specifies the subnet mask of the brouter interface on this port. The mask is an IP address with all the network bits set to 1 and all the hosts bits set to 0.
BcastAddrFormat	Specifies the IP broadcast address format used on this interface.
ReasmMaxSize	Specifies the size of the largest IP packet which the interface can reassemble from fragmented incoming IP packets.
VlanId	Specifies the ID of the VLAN associated with the brouter port. This parameter is used to tag ports.

Table continues...

Name	Description
BrouterPort	Indicates whether this is a brouter port.
MacOffset	Specifies a number by which to offset the MAC address of the VLAN from the chassis MAC address. This ensures that each IP address has a different MACaddress.
Vrflid	Specifies the associated VRF interface. The Vrflid associates VLANs or brouter ports to a VRF after the creation of VLANs or brouter ports. VRF ID 0 is reserved for the Global Router.

Assigning an IP address to a VLAN

Before you begin

- Ensure routing (forwarding) is globally enabled.
- Ensure VLAN is configured.
- Change the VRF instance as required. For information about how to use EDM for a non-default VRF, see [Selecting and launching a VRF context view](#) on page 305.

About this task

Specify an IP address for a VLAN so that the VLAN can perform IP routing.

Important:

You can assign only one IP address to any router interface (brouter or VLAN).

You cannot assign an IP address to a VLAN if a brouter port is a member of the VLAN. To assign an IP address to the VLAN, you must first remove the brouter port member.

Procedure

1. In the navigation tree, expand the following folders: **Configuration > VLAN**.
2. Click **VLANs > Basic**.
3. Select a VLAN.
4. Click **IP**.
5. Click **Insert**.
6. In the **Insert IP Address** dialog box, type the IP address and network mask.
7. Click **Insert**.

Viewing IP addresses for all router interfaces

About this task

Use the Addresses tab to view IP addresses (and their associated router interfaces) from one central location.

Procedure

1. In the navigation tree, expand the following folders: **Configuration > IP**.
2. Click **IP**.
3. Click the **Addresses** tab.

Addresses field descriptions

Use the data in the following table to use the **Addresses** tab.

Name	Description
Interface	Specifies the router interface. <ul style="list-style-type: none"> • The name of the VLAN followed by the VLAN designation identifies virtual router interfaces. • The slot and port number of the brouter port identifies brouter interfaces.
Ip Address	Specifies the IP address of the router interface.
Net Mask	Specifies the subnet mask of the router interface.
BcastAddrFormat	Specifies the IP broadcast address format used on this interface; that is, whether 0 (zero) or one is used for the broadcast address. The switch uses 1.
ReasmMaxSize	Specifies the size of the largest IP packet that this interface can reassemble from incoming fragmented IP packets.
VlanId	Identifies the VLAN associated with this entry. This value corresponds to the lower 12 bits in the IEEE 802.1Q VLAN tag.
BrouterPort	Indicates whether this is a brouter port (as opposed to a routable VLAN).
MacOffset	Specifies a number by which to offset the MAC address of the VLAN from the chassis MAC address. This ensures that each IP address has a different MAC address.

Configuring IP routing features globally

About this task

Configure the IP routing protocol stack to determine which routing features the switch can use.

Procedure

1. In the navigation tree, expand the following folders: **Configuration > IP**.
2. Click **IP**.
3. Click the **Globals** tab.
4. To globally enable routing, select **Forwarding**.
5. To globally configure the default TTL parameter type a value in the **DefaultTTL** field.
This value is placed into routed packets that have no TTL specified.
6. To globally enable IPv4 ICMP broadcast, select **IcmpEchoBroadcastRequestEnable**.
7. To globally enable the Alternative Route feature, select **AlternativeEnable**.
8. To globally enable ICMP Router Discovery, select **RouteDiscoveryEnable**.
9. To globally enable IP Sorce Routing, select **SourceRouteEnable**.
10. To globally enable ECMP, select **EcmpEnable**.
11. Configure the remaining parameters as required.
12. Click **Apply**.

Globals field descriptions

Use the data in the following table to use the **Globals** tab.

Name	Description
Forwarding	Configures the system for forwarding (routing) or nonforwarding. The default value is forwarding.
DefaultTTL	Configures the default time-to-live (TTL) value for a routed packet. TTL indicates the maximum number of seconds elapsed before a packet is discarded. Enter an integer from 1 to 255. The default value of 255 is used if a value is not supplied in the datagram header.
ReasmTimeout	Specifies the maximum number of seconds that received fragments are held while they wait for reassembly. The default value is 30 seconds.

Table continues...

Name	Description
ICMPUnreachableMsgEnable	<p>Enables the generation of Internet Control Message Protocol (ICMP) network unreachable messages if the destination network is not reachable from this system. These messages help determine if the system is reachable over the network. The default is disabled.</p> <p>! Important:</p> <p>It is recommended that you enable icmp-unreach-msg only if it is absolutely required. If icmp-unreach-msg is enabled and a packet is received for which there is no route in the routing table, CPU utilization can dramatically increase.</p>
ICMPRedirectMsgEnable	Enables or disables the system sending ICMP destination redirect messages.
IcmpEchoBroadcastRequestEnable	Enables or disables IP ICMP echo broadcast request feature. The default is enabled.
AlternativeEnable	<p>Globally enables or disables the Alternative Route feature.</p> <p>If the alternative-route parameter is disabled, all existing alternative routes are removed. After the parameter is enabled, all alternative routes are re-added. The default is enabled.</p>
RouteDiscoveryEnable	Enables the ICMP Router Discovery feature. The default is disabled (not selected). Use ICMP Router Discovery to enable hosts attached to multicast or broadcast networks to discover the IP addresses of neighboring routers.
AllowMoreSpecificNonLocalRouteEnable	Enables or disables a more-specific nonlocal route. If enabled, the system can enter a more-specific nonlocal route into the routing table. The default is disabled.
SuperNetEnable	<p>Enables or disables supernetting.</p> <p>If supernetting is globally enabled, the system can learn routes with a route mask less than 8 bits. Routes with a mask length less than 8 bits cannot have ECMP paths, even if you globally enable the ECMP feature. The default is disabled.</p>
UdpChecksumEnable	Enables or disables the UDP checksum calculation. The default is enable.

Table continues...

Name	Description
SourceRouteEnable	Enables or disables IP Source Routing globally. It is disabled by default.
ARPLifeTime	Specifies the lifetime of an ARP entry within the system, global to the switch. The default value is 360 minutes.
EcmpEnable	Globally enables or disables the Equal Cost Multipath (ECMP) feature. The default is disabled. After ECMP is disabled, the <code>EcmpMaxPath</code> is reset to the default value of 1.
EcmpMaxPath	Globally configures the maximum number of ECMP paths. You cannot configure this feature unless ECMP is enabled globally.
Ecmp1PathList	Selects a preconfigured ECMP path.
Ecmp2PathList	Selects a preconfigured ECMP path.
Ecmp3PathList	Selects a preconfigured ECMP path.
Ecmp4PathList	Selects a preconfigured ECMP path.
Ecmp5PathList	Selects a preconfigured ECMP path.
Ecmp6PathList	Selects a preconfigured ECMP path.
Ecmp7PathList	Selects a preconfigured ECMP path.
Ecmp8PathList	Selects a preconfigured ECMP path.
EcmpPathListApply	Applies changes in the ECMP path list configuration, or in the prefix lists configured as the path lists.

Configuring ECMP globally

Enable Equal Cost MultiPath (ECMP) to permit routers to determine up to eight equal-cost paths to the same destination prefix. You can use the multiple paths for load-sharing of traffic, which allows fast convergence to alternative paths. By maximizing load sharing among equal-cost paths, you can maximize the efficiency of your links between routers.

Procedure

1. In the navigation tree, expand the **Configuration > IP** folders.
2. Click **IP**.
3. Click the **Globals** tab.
4. Select the **EcmpEnable** check box.

5. In the **EcmpMaxPath** box, enter the preferred number of equal-cost paths.
6. Click **Apply**.

Enabling alternative routes globally

Before you begin

- Change the VRF instance as required. For information about how to use EDM for a non-default VRF, see [Selecting and launching a VRF context view](#) on page 305.

About this task

Globally enable alternative routes so that you can subsequently enable it on interfaces.

Procedure

1. In the navigation tree, expand the following folders: **Configuration > IP**.
2. Click **IP**.
3. Click the **Globals** tab.
4. Select **AlternativeEnable**.

If the **AlternativeEnable** parameter is disabled, all existing alternative routes are removed. After you enable the parameter, all alternative routes are re-added.

5. Click **Apply**.

Configuring static routes using EDM

About this task

Use static routes to force the router to make certain forwarding decisions. Create IP static routes to manually provide a path to destination IP address prefixes.

Note:

It is recommended that you do not configure static routes on a DvR Leaf node unless the configuration is for reachability to a management network using a Brouter port.

Also, configuring the preference of static routes is not supported on a Leaf node.

For route scaling information, see *Release Notes*.

Procedure

1. In the navigation tree, expand the following folders: **Configuration > IP**.
2. Click **IP**.
3. Click the **Static Routes** tab.

4. Click **Insert**.
5. If required, in the **OwnerVrflid** check box, select the appropriate VRF ID. By default, the VRF is the GlobalRouter VRF 0.
6. In the **Dest** field, type the IP address.
7. In the **Mask** field, type the subnet mask.
8. In the **NextHop** field, type the IP address of the router through which the specified route is accessible.
9. **(Optional)** In the **NextHopVrflid** field, select the appropriate value.
10. **(Optional)** To enable the static route, select the **Enable** check box.
11. **(Optional)** In the **Metric** field, type the metric.
12. **(Optional)** In the **Preference** field, type the route preference.
13. **(Optional)** If required, select the **LocalNextHop** check box.
Use this option to create Layer 3 static routes.
14. Click **Insert**.
The new route appears in the **IP** dialog box, **Static Routes** tab.

Static Routes field descriptions

Use the data in the following table to use the **Static Routes** tab.

Name	Description
OwnerVrflid	Specifies the VRF ID for the static route.
Dest	Specifies the destination IP address of this route. A value of 0.0.0.0 is a default route. Multiple routes to a single destination can appear in the table, but access to such multiple entries is dependent on the table-access mechanisms defined by the network management protocol in use.
Mask	Indicates the mask that the system operates a logically AND function on, with the destination address, to compare the result to the Route Destination. For systems that do not support arbitrary subnet masks, an agent constructs the Route Mask by determining whether it belongs to a class A, B, or C network, and then uses one of: 255.0.0.0—Class A 255.255.0.0—Class B 255.255.255.0—Class C If the Route Destination is 0.0.0.0 (a default route) then the mask value is also 0.0.0.0.

Table continues...

Name	Description
NextHop	Specifies the IP address of the next hop of this route. In the case of a route bound to an interface which is realized through a broadcast media, the Next Hop is the IP address of the agent on that interface. When you create a black hole static route, configure this parameter to 255.255.255.255.
NextHopVrflid	Specifies the next-hop VRF ID in interVRF static route configurations. Identifies the VRF in which the ARP entry resides.
Enable	Determines whether the static route is available on the port. The default is enable. If a static route is disabled, it must be enabled before it can be added to the system routing table.
Status	Specifies the status of the route. The default is enabled.
Metric	Specifies the primary routing metric for this route. The semantics of this metric are determined by the routing protocol specified in the route RouteProto value. If this metric is not used, configure the value to 1. The default is 1.
Ifindex	Specifies the route index of the Next Hop. The interface index identifies the local interface through which the next hop of this route is reached.
Preference	Specifies the routing preference of the destination IP address. If more than one route can be used to forward IP traffic, the route that has the highest preference is used. The higher the number, the higher the preference.
LocalNextHop	Enables and disables LocalNextHop. If enabled, the static route becomes active only if the system has a local route to the network. If disabled, the static route becomes active if the system has a local route or a dynamic route.

Deleting a static route

About this task

Delete static routes that are no longer needed to prevent routing errors.

Procedure

1. In the navigation tree, expand the following folders: **Configuration > IP**.
2. Click **IP**.
3. Click the **Static Routes** tab.
4. Select the static route you want to delete.
5. Click **Delete**.

Configuring a default static route

Before you begin

- Change the VRF instance as required. For information about how to use EDM for a non-default VRF, see [Selecting and launching a VRF context view](#) on page 305.

About this task

The default route specifies a route to all networks for which there no explicit routes exist in the Forwarding Information Base or in the routing table. This route has a prefix length of zero (RFC 1812). You can configure the switch with a static default route, or they can learn it through a dynamic routing protocol.

To create a default static route, you configure the destination address and subnet mask to 0.0.0.0.

* Note:

It is recommended that you do not configure static routes on a DvR Leaf node unless the configuration is for reachability to a management network using a Brouter port.

Also, configuring the preference of static routes is not supported on a Leaf node.

Procedure

1. In the navigation tree, expand the following folders: **Configuration > IP**.
2. Click **IP**.
3. Click the **Static Routes** tab.
4. Click **Insert**.
5. In the **OwnerVrfId** check box, select the appropriate VRF ID.
6. In the **Dest** field, type 0.0.0.0.
7. In the **Mask** field, type 0.0.0.0.
8. In the **NextHop** field, type the IP address of the router through which the specified route is accessible.
9. In the **Metric** field, type the HopOrMetric value.
10. Click **Insert**.

Configuring a black hole static route

Before you begin

- Change the VRF instance as required. For information about how to use EDM for a non-default VRF, see [Selecting and launching a VRF context view](#) on page 305.

About this task

Create a black hole static route to the destination that a router advertises to avoid routing loops when aggregating or injecting routes to other routers.

If an existing black hole route is enabled, you must first delete or disable it before you can add a regular static route to that destination.

Procedure

1. In the navigation tree, expand the following folders: **Configuration > IP**.
2. Click **IP**.
3. Click the **Static Routes** tab.
4. Click **Insert**.
5. In the **OwnerVrfId** check box, select the appropriate VRF ID.
6. In the **Dest** field, enter the IP address.
7. In the **Mask** field, enter the network mask.
8. In the **NextHop** field, type 255.255.255.255.

To create a black hole static route, you must configure the NextHop address to 255.255.255.255.

9. Select the **enable** option.
10. In the **Metric** box, type the HopOrMetric value.
11. In the **Preference** check box, select the route preference.

When you specify a route preference, be sure to appropriately configure the preference so that when the black hole route is used, it is elected as the best route.

12. Click **Insert**.

Viewing IP routes

View IP routes learned on the device.

Procedure

1. In the navigation pane, expand the following folders: **Configuration > IP**.
2. Click **IP**.
3. Click the **Routes** tab to view IP routes learned on the device.
4. If you want to limit the routes displayed, click **Filter** to show a smaller subset of the learned routes.
5. In the Filter dialog box, select an option, or options, and enter information to limit the routes to display in the Routes table.

- Click **Filter** and the Routes table displays only the routes that match the options and information that you enter.

Routes field descriptions

Use the data in the following table to use the **Routes** tab.

Name	Description
Dest	Specifies the destination IP network of this route. An entry with a value of 0.0.0.0 is a default route. Multiple routes to a single destination can appear in the table, but access to multiple entries depends on the table access mechanisms defined by the network management protocol in use.
Mask	Indicates the network mask to logically add with the destination address before comparison to the destination IP network.
NextHop	Specifies the IP address of the next hop of this route.
AltSequence	Indicates the alternative route sequence. The value of 0 denotes the best route.
NextHopId	Displays the MAC address or hostname of the next hop.
HopOrMetric	Displays the primary routing metric for this route. The semantics of this metric are specific to different routing protocols.
Interface	Specifies the router interface for this route. <ul style="list-style-type: none"> Virtual router interfaces are identified by the VLAN number of the VLAN followed by the (VLAN) designation. Brouter interfaces are identified by the slot and port number of the brouter port.
Proto	Specifies the routing mechanism through which this route was learned: <ul style="list-style-type: none"> other—none of the following local—nonprotocol information, for example, manually configured entries static ICMP EGP GGP Hello RIP IS-IS ES-IS Cisco IGRP

Table continues...

Name	Description
	<ul style="list-style-type: none"> • bbnSpflgp • OSPF • BGP • Inter-VRF Redistributed Route
Age	Displays the number of seconds since this route was last updated or otherwise determined to be correct.
PathType	<p>Indicates the route type, which is a combination of direct, indirect, best, alternative, and ECMP paths.</p> <ul style="list-style-type: none"> • iA indicates Indirect Alternative route without an ECMP path • iAE indicates Indirect Alternative ECMP path • iB indicates Indirect Best route without ECMP path • iBE indicates Indirect Best ECMP path • dB indicates Direct Best route • iAN indicates Indirect Alternative route not in hardware • iAEN indicates Indirect Alternative ECMP route not in hardware • iBN indicates Indirect Best route not in hardware • iBEN indicates Indirect Best ECMP route not in hardware • dBN indicates Direct Best route not in hardware • iAU indicates Indirect Alternative Route Unresolved • iAEU indicates Indirect Alternative ECMP Unresolved • iBU indicates Indirect Best Route Unresolved • iBEU indicates Indirect Best ECMP Unresolved • dBU indicates Direct Best Route Unresolved • iBF indicates Indirect Best route replaced by FTN • iBEF indicates Indirect Best ECMP route replaced by FTN • iBV indicates Indirect best IPVPN route • iBEV indicates Indirect best ECMP IP VPN route • iBVN indicates Indirect best IP VPN route not in hardware • iBEVN indicates Indirect best ECMP IP VPN route not in hardware
Pref	Displays the preference.
NextHopVrflid	Specifies the VRF ID of the next-hop address.

Configuring ICMP Router Discovery globally

About this task

Enable ICMP Router Discovery so that it can operate on the system.

Procedure

1. In the navigation tree, expand the following folders: **Configuration > IP**.
2. Click **IP**.
3. Click the **Globals** tab.
4. Select **RouteDiscoveryEnable**.
5. To select a preconfigured ECMP path, click the **EcmpPathList** ellipsis button.
6. Click **OK**.
7. Click **Apply**.

Configuring the ICMP Router Discovery table

Before you begin

- ICMP Router Discovery must be globally enabled.
- Change the VRF instance as required. For information about how to use EDM for a non-default VRF, see [Selecting and launching a VRF context view](#) on page 305.

About this task

Configure the ICMP Router Discovery table to ensure correct ICMP operation for all interfaces that use Router Discovery.

Procedure

1. In the navigation tree, expand the following folders: **Configuration > IP**.
2. Click **IP**.
3. Click the **Router Discovery** tab.
4. Configure the Router Discovery parameters to suit your network.
5. Click **Apply**.

Router Discovery field descriptions

Use the data in the following table to use the **Router Discovery** tab.

Name	Description
Interface	Indicates the VLAN ID or the port.
AdvAddress	Specifies the IP destination address used for broadcast or multicast router advertisements sent from the interface. The address is the all-systems multicast address 224.0.0.1, or the limited-broadcast address 255.255.255.255. The default value is 255.255.255.255.
AdvFlag	Indicates whether (true) or not (false) the address is advertised on the interface. The default value is true (advertise address).
AdvLifetime	Specifies the time to-live-value (TTL) of router advertisements (in seconds) sent from the interface. The range is MaxAdvInterval to 9000 seconds. The default value is 1800 seconds.
MaxAdvInterval	Specifies the maximum time (in seconds) that elapses between unsolicited broadcast or multicast router advertisement transmissions from the interface. The range is 4 to 1800 seconds. The default value is 600 seconds.
MinAdvInterval	Specifies the minimum time (in seconds) that elapses between unsolicited broadcast or multicast router advertisement transmissions from the interface. The range is 3 seconds to MaxAdvInterval. The default value is 450 seconds.
PreferenceLevel	Specifies the preference value (a higher number indicates more preferred) of the address as a default router address relative to other router addresses on the same subnet. The range is -2147483648 to 2147483647. The default value is 0.

Configuring ICMP Router Discovery for a port

Before you begin

- You must globally enable ICMP Router Discovery.
- Change the VRF instance as required. For information about how to use EDM for a non-default VRF, see [Selecting and launching a VRF context view](#) on page 305.

About this task

Use this procedure to configure Router Discovery on a port. When enabled, the port sends Router Discovery advertisement packets.

Procedure

1. In the Device Physical View tab, select a port.
2. In the navigation tree, expand the following folders: **Configuration > Edit > Port**.
3. Click **IP**.
4. Click the **Router Discovery** tab.
5. To enable Router Discovery, select **AdvFlag**.
6. Configure other parameters as required for proper operation.
7. Click **Apply**.

Router Discovery field descriptions

Use the data in the following table to use the **Router Discovery** tab.

Name	Description
AdvAddress	Specifies the destination IP address used for broadcast or multicast router advertisements sent from the interface. The accepted values are the all-systems multicast address 224.0.0.1, or the limited-broadcast address 255.255.255.255. The default value is 255.255.255.255.
AdvFlag	Indicates whether (true) or not (false) the address is advertised on the interface. The default value is True (advertise address).
AdvLifetime	Specifies the time to live value (TTL) of router advertisements (in seconds) sent from the interface. The range is MaxAdvInterval to 9000 seconds. The default value is 1800 seconds.
MaxAdvInterval	Specifies the maximum time (in seconds) that elapses between unsolicited broadcast or multicast router advertisement transmissions from the interface. The range is 4 seconds to 1800 seconds. The default value is 600 seconds.
MinAdvInterval	Specifies the minimum time (in seconds) that elapses between unsolicited broadcast or multicast router advertisement transmissions from the interface. The range is 3 seconds to MaxAdvInterval. The default value is 450 seconds.
PreferenceLevel	Specifies the preference value (a higher number indicates more preferred) of the address as a default router address relative to other router addresses on the same subnet. The accepted values are – 2147483648 to 2147483647. The default value is 0.

Configuring ICMP Router Discovery on a VLAN

Before you begin

- You must globally enable ICMP Router Discovery.
- Change the VRF instance as required. For information about how to use EDM for a non-default VRF, see [Selecting and launching a VRF context view](#) on page 305.

About this task

Configure Router Discovery on a VLAN so that the ICMP Router Discovery feature can run over the VLAN. When enabled, the system sends Router Discovery advertisement packets to the VLAN.

Procedure

1. In the navigation tree, expand the following folders: **Configuration > VLAN**.
2. Click **VLANs**.
3. Select the VLAN ID that you want to configure to participate in Router Discovery.
4. Click **IP**.
5. Click the **Router Discovery** tab.
6. To enable Router Discovery for the VLAN, select **AdvFlag**.
7. Configure other parameters as required for proper operation.
8. Click **Apply**.

Router Discovery field descriptions

Use the data in the following table to use the **Router Discovery** tab.

Name	Description
AdvAddress	Specifies the destination IP address used for broadcast or multicast router advertisements sent from the interface. The address is the all-systems multicast address, 224.0.0.1, or the limited-broadcast address, 255.255.255.255. The default value is 255.255.255.255.
AdvFlag	Indicates whether (true) or not (false) the address is advertised on the interface. The default value is true (advertise address).
AdvLifetime	Specifies the time to-live-value (TTL) of router advertisements (in seconds) sent from the interface. The range is MaxAdvInterval to 9000 seconds. The default value is 1800 seconds.

Table continues...

Name	Description
MaxAdvInterval	Specifies the maximum time (in seconds) allowed between sending unsolicited broadcast or multicast router advertisements from the interface. The range is 4 seconds to 1800 seconds. The default value is 600 seconds.
MinAdvInterval	The minimum time (in seconds) allowed between unsolicited broadcast or multicast router advertisements sent from the interface. The range is 3 seconds to MaxAdvInterval. The default value is 450 seconds.
PreferenceLevel	Specifies the preference value (a higher number indicates more preferred) of the address as a default router address, relative to other router addresses on the same subnet. The range is –2147483648 to 2147483647. The default value is 0.

Configuring a Circuitless IPv4 interface

About this task

You can use a circuitless IPv4 (CLIPv4) interface to provide uninterrupted connectivity to your system.

Procedure

1. In the navigation pane, expand the **Configuration > IP** folders.
2. Click **IP**.
3. Click the **Circuitless IP** tab.
4. Click **Insert**.
5. In the **Interface** field, assign a CLIP interface number.
6. Enter the IP address.
7. Enter the network mask.
8. Click **Insert**.
9. To delete a CLIP interface, select the interface and click **Delete**.

Circuitless IP field descriptions

Use the data in the following table to use the **Circuitless IP** tab.

Name	Description
Interface	Specifies the number assigned to the interface.
Ip Address	Specifies the IP address of the CLIP.
Net Mask	Specifies the network mask.

Enabling OSPF on a CLIP interface

Before you begin

- You must globally enable OSPF.
- The OSPF area must already exist.

About this task

Enable Open Shortest Path First (OSPF) on a CLIP interface so that it can participate in OSPF routing.

Procedure

1. In the navigation tree, expand the following folders: **Configuration > IP**.
2. Click **IP**.
3. Click the **Circuitless IP** tab.
4. Select the required CLIP interface.
5. Click **OSPF**.
6. Select the **Enable** check box.
 You must enable OSPF on the CLIP interface for CLIP to function.
7. In the current **AreaId** field, enter the IP address of the OSPF backbone area.
8. Click **Apply**.

Circuitless OSPF field descriptions

Use the data in the following table to use the **Circuitless OSPF** tab.

Name	Description
Enable	Enables OSPF on the CLIP interface.
AreaId	Specifies the OSPF area ID.

Enabling PIM on a CLIP interface

Enable Protocol Independent Multicasting (PIM) on a CLIP interface so that it can participate in PIM routing.

Before you begin

- You must globally enable PIM.

About this task

* Note:

The PIM button does not appear for all hardware platforms.

Procedure

- In the navigation tree, expand the following folders: **Configuration > IP**.
- Click **IP**.
- Click the **Circuitless IP** tab.
- Select the required CLIP interface.
- Click **PIM**.
- Select the **Enable** check box.

You must enable PIM on the CLIP interface for PIM to function. The mode is indicated on this tab.

- Click **Apply**.

Circuitless PIM field descriptions

Use the data in the following table to use the **Circuitless PIM** tab.

Name	Description
Enable	Enables PIM on the CLIP interface.
Mode	Specifies the PIM mode.

Viewing TCP global information

View TCP and UDP information to view the current configuration.

About this task

The fields on the TCP global tab provide information about the handshake (SYN) configuration and the maximum number of TCP connections you can create on your system.

When you initiate a TCP connection, both end points send handshake information to create the channel.

The retransmission algorithm and fields display the configured timeout value and minimum and maximum retransmission times that your system uses to terminate a connection attempt that falls outside your specified parameters.

Procedure

1. In the navigation pane, expand the **Configuration > IP** folders.
2. Click **TCP/UDP**.
3. Click the **TCP Globals** tab.

TCP Global field descriptions

Use the data in the following table to use the **TCP Globals** tab.

Name	Description
RtoAlgorithm	Determines the timeout value used for retransmitting unacknowledged octets.
RtoMin	Displays the minimum time (in milliseconds) permitted by a TCP implementation for the retransmission timeout.
RtoMax	Displays the maximum time (in milliseconds) permitted by a TCP implementation for the retransmission timeout.
MaxConn	Displays the maximum connections for the device.

Viewing TCP connections information

View information about TCP connections.

About this task

Among other things, the fields on the TCP connections tab provide important information about the health of connections that traverse your switch.

In particular, the state column lets you know the state of each TCP connection. Of these, synSent, synReceived, and established indicate whether or not a channel is established and listen indicates when an end system is waiting for a returning handshake (SYN).

Procedure

1. In the navigation pane, expand the : **Configuration > IP** folders.
2. Click **TCP/UDP**.

3. Click the **TCP Connections** tab.

TCP Connections field descriptions

Use the data in the following table to use the **TCP Connections** tab.

Name	Description
LocalAddressType	Displays the type (IPv6 or IPv4) for the address in the LocalAddress field.
LocalAddress	Displays the IPv6 address for the TCP connection.
LocalPort	Displays the local port number for the TCP connection.
RemAddressType	Displays the type (IPv6 or IPv4) for the remote address of the TCP connection.
RemAddress	Displays the IPv6 address for the remote TCP connection.
RemPort	Displays the remote port number for the TCP connection.
State	Displays an integer that represents the state for the connection: <ul style="list-style-type: none"> • closed • listen • synSent • synReceived • established • finWait1 • finWait2 • closeWait • lastAck(9) • closing • timeWait • deleteTCB
Process	Displays the process ID for the system process associated with the TCP connection.

Viewing TCP listeners information

View TCP listener information.

About this task

The TCP listeners table provides a detailed list of systems that are in the listening state.

When a connection is in the listen state an end point system is waiting for a returning handshake (SYN).The normal listening state should be very transient, changing all of the time.

Two or more systems going to a common system in an extended listening state indicates the need for further investigation.

End systems in an extended listening state can indicate a broken TCP connection or a DOS attack on a resource.

This type of DOS attack, known as a SYN attack, results from the transmission of SYNs with no response to return replies.

While many systems can detect a SYN attack, the TCP listener statistics can provide additional forensic information.

Procedure

1. In the navigation pane, expand the **Configuration > IP** folders.
2. Click **TCP/UDP**.
3. Click the **TCP Listeners** tab.

TCP Listeners field descriptions

Use the data in the following table to use the **TCP Listeners** tab.

Name	Description
LocalAddressType	Displays the type (IPv6 or IPv4) for the address in the LocalAddress field.
LocalAddress	Displays the IPv6 address for the TCP connection.
LocalPort	Displays the local port number for the TCP connection.
Process	Displays the process ID for the system process associated with the TCP connection.

Chapter 14: RSMLT configuration using the CLI

Routed Split MultiLink Trunking (RSMLT) forwards packets in the event of core router failures, thus eliminating dropped packets during the routing protocol convergence.

Configuring RSMLT on a VLAN

Perform this procedure to configure RSMLT on each IP VLAN interface.

Before you begin

- You must enable the IP routing protocol on VLAN Layer 3 interfaces.
- VLANs with Layer 3 interfaces must also participate in Split MultiLink Trunking (SMLT).

About this task

Use the no operator to disable RSMLT: `no ip rsmlt`

To configure this value to the default value, use the default operator with this command.

Procedure

1. Enter VLAN Interface Configuration mode:

```
enable
configure terminal
interface vlan <1-4059>
```

2. Enable RSMLT on a VLAN:

```
ip rsmlt
```

Example

Enable RSMLT on a VLAN:

```
Switch:1>enable
Switch:1#configure terminal
Switch:1(config)#interface VLAN 100
Switch:1(config-if)#ip rsmlt
```

Variable definitions

Use the data in the following table to use the `ip rsmlt` command.

Table 29: Variable definitions

Variable	Value
holddown-timer <0-3600>	<p>Configures how long the RSMLT device does not participate in Layer 3 forwarding.</p> <p>The value is in the range 0 to 3600 seconds.</p> <p>To configure this value to the default value, use the default operator with this command. The default value is 60 seconds.</p> <p>Configure this value to be longer than the anticipated routing protocol convergence.</p>
holdup-timer <0-3600 9999>	<p>Configures how long the RSMLT device maintains forwarding for its peer.</p> <p>The value is in the range 0 to 3600 seconds or 9999. 9999 means infinity.</p> <p>To configure this value to the default value, use the default operator with this command. The default is 180 seconds.</p>

Showing IP RSMLT information

Show IP RSMLT information to view data about all RSMLT interfaces.

About this task

Important:

If you use the `show ip rsmlt` command after you delete an RSMLT, the RSMLT still shows until you restart the switch.

Procedure

1. Enter Privileged EXEC mode:

```
enable
```

2. Display RSMLT information using the following command:

```
show ip rsmlt {edge-support} [<local|peer>] [vrf WORD<1-16>] [vrfids WORD<0-512>]
```

Example

```
Switch:1>enable
Switch:1#show ip rsmlt
```

```

=====
                          Ip Rsmilt Local Info - GlobalRouter
=====
VID      IP                MAC                ADMIN  OPER  HDTMR  HUTMR
-----
1000    100.0.0.12            b0:ad:aa:40:05:25  Enable  Up    60     180
1500    150.0.0.12            b0:ad:aa:40:05:28  Enable  Up    60     180
3000    200.0.0.12            b0:ad:aa:40:05:01  Enable  Up    60     180

VID      SMLT ID
-----
1000     50
1500     50
3000

VID      IPv6                MAC                ADMIN  OPER  HDTMR  HUTMR
-----
1000    100:0:0:0:0:0:0:0/64  b0:ad:aa:40:05:25  Enable  Up    60     180
        100:0:0:0:0:0:0:12/64
        fe80:0:0:0:b2ad:aaff:fe40:525/128

1500    150:0:0:0:0:0:0:0/64  b0:ad:aa:40:05:28  Enable  Up    60     180
        150:0:0:0:0:0:0:12/64
        fe80:0:0:0:b2ad:aaff:fe40:528/128

3000    30:0:0:0:0:0:0:0/64   b0:ad:aa:40:05:01  Enable  Up    60     180
        30:0:0:0:0:0:0:12/64
        fe80:0:0:0:b2ad:aaff:fe40:501/128

VID      SMLT ID
-----
1000     50
1500     50
3000

=====
                          Ip Rsmilt Peer Info - GlobalRouter
=====
VID      IP                MAC                ADMIN  OPER  HDTMR  HUTMR
-----
1000    100.0.0.206          b0:ad:aa:41:7d:23  Enable  Up    60     180
1500    150.0.0.206          b0:ad:aa:41:7d:24  Enable  Up    60     180

VID      HDT REMAIN  HUT REMAIN  SMLT ID
-----
1000    60          180         50
1500    60          180         50

VID      IPv6                MAC                ADMIN  OPER  HDTMR  HUTMR
-----
1000    100:0:0:0:0:0:0:0/64  b0:ad:aa:41:7d:23  Enable  Up    60     180
        100:0:0:0:0:0:0:206/64
        fe80:0:0:0:b2ad:aaff:fe41:7d23/128

1500    150:0:0:0:0:0:0:0/64  b0:ad:aa:41:7d:24  Enable  Up    60     180
        150:0:0:0:0:0:0:206/64
        fe80:0:0:0:b2ad:aaff:fe41:7d24/128

```

```

VID      HDT REMAIN  HUT REMAIN  SMLT ID
-----
1000    60           180         50
1500    60           180         50
Switch:1#

```

Variable definitions

Use the information in the following command to use the `show ip rsmlt` command.

Table 30: Variable definitions

Variable	Value
edge-support	Displays the RSMLT edge-support and peer information
<local peer>	Specifies values for the local or peer device.
vrf WORD<1-16>	Displays IP routing for a VRF.
vrfids WORD<0-512>	Displays IP routing for a range of VRFs.

Use the following table to use the `show ip rsmlt [<local|peer>]` command output.

Table 31: Variable definitions

Variable	Value
VID	Indicates the VLAN ID.
IP	Indicates the IP address of the VLAN.
MAC	Indicates the MAC address assigned.
ADMIN	Indicates the administrative status of RSMLT on the VLAN.
OPER	Indicates the operational status of RSMLT on the VLAN.
HDTMR	Indicates the hold-down timer value in the range of 0 to 3600 seconds.
HUTMR	Indicates the hold-up timer value in the range of 0 to 3600 seconds or 9999. 9999 means infinity.
HDT REMAIN	Indicates the time remaining of the hold-down timer.
HUT REMAIN	Indicates the time remaining of the hold-up timer.
SMLT ID	Indicates the Split MultiLink Trunk ID.

Configuring RSMLT edge support

Configure RSMLT edge support to store the RSMLT peer MAC/IP address-pair in its local config file, and restore the configuration if the peer does not restore after a simultaneous restart of both RSMLT-peer systems. If enabled, all peer MAC/IP information for all RSMLT-enabled VLANs are saved during next the save config command.

About this task

RSMLT edge support is disabled by default.

Important:

If you use the `show ip rsmlt` command after you delete an RSMLT, the RSMLT still displays until you restart the switch.

Procedure

1. Enter Global Configuration mode:

```
enable
configure terminal
```

2. Enable RSMLT-edge:

```
ip rsmlt edge-support
```

Use the `no` operator to disable RSMLT-edge: `no ip rsmlt edge-support`

3. Clear RSMLT peer information, and then delete the RSMLT peer address:

```
no ip rsmlt peer-address <1-4059>
```

4. Display RSMLT-edge status information:

```
show ip rsmlt edge-support
```

Example

```
Switch:1>enable
Switch:1#configure terminal
```

Enable RSMLT-edge:

```
Switch:1(config)#ip rsmlt edge-support
```

Display RSMLT-edge status information:

```
Switch:1(config)#show ip rsmlt edge-support
```

Variable definitions

Use the data in the following table to use the `no ip rsmlt peer-address` command.

Variable	Value
<1-4059>	Specifies the VLAN ID in the range of 1 to 4059. By default, VLAN IDs 1 to 4059 are configurable and the system reserves VLAN IDs 4060 to 4094 for internal use. On switches that support the vrf-scaling and spbm-config-mode boot configuration flags, if you enable these flags, the system also reserves VLAN IDs 3500 to 3998. VLAN ID 1 is the default VLAN and you cannot create or delete VLAN ID 1.

Chapter 15: RSMLT configuration using Enterprise Device Manager

Routed Split MultiLink Trunking (RSMLT) forwards packets in the event of core router failures, thus eliminating dropped packets during the routing protocol convergence.

Configuring RSMLT on a VLAN

Configure RSMLT on a VLAN to exchange Layer 3 information between peer nodes in a switch cluster.

Before you begin

- Enable an IP routing protocol on VLAN Layer 3 interfaces.
- Ensure VLANs with Layer 3 interfaces participate in Split MultiLink Trunking (SMLT).

About this task

Use the following procedure to configure RSMLT using EDM

Procedure

1. In the navigation pane, expand the following folders: **Configuration > VLAN**.
2. Click **VLANs**.
3. Click the **Basic** tab.
4. Select a VLAN.
5. Click **IP**.
6. Click the **RSMLT** tab.
7. Select **Enable**.
8. In the **HoldDownTimer** field, type a hold-down timer value.
9. In the **HoldUpTimer** field, type a holdup timer value.
10. Click **Apply**.

RSMLT field descriptions

Use the data in the following table to use the **RSMLT** tab.

Name	Description
Enable	Enables RSMLT. The default is disabled.
HoldDownTimer	<p>Defines how long the recovering or restarting system remains in a non-Layer 3 forwarding mode for the peer router MAC address.</p> <p>The range of this value is from 0 to 3600 seconds. The default is 60.</p> <p>If you disable RSMLT on a VLAN, non default values for this field do not save across restarts.</p>
HoldUpTimer	<p>Defines how long the RSMLT system maintains forwarding for its peer if the peer is down. The value is a range from 0 to 3600 seconds or 9999. 9999 means infinity. The default is 180.</p> <p>If you disable RSMLT on a VLAN, non default values for this field do not save across restarts.</p>

Viewing and editing RSMLT local information

About this task

Perform the following procedure to view and edit RSMLT local VLAN information.

Procedure

1. In the navigation pane, expand the following folders: **Configuration > IP**.
2. Click **RSMLT**.
3. Click the **Local** tab.
4. Configure the parameters as required.
5. Click **Apply**.

Local field descriptions

Use the data in the following table to use the **Local** tab.

Name	Description
IfIndex	IP interface identification.
VlanId	Specifies the VLAN ID of the chosen VLAN.

Table continues...

Name	Description
IpAddr	Specifies the IP address on the RSMLT VLAN.
MacAddr	Specifies the MAC address of the selected VLAN.
Enable	Displays the RSMLT operating status as enabled or disabled.
OperStatus	Displays the RSMLT operating status as either up or down. The default is down.
HoldDownTimer	Defines how long the recovering/restarting system remains in a non-Layer 3 forwarding mode for the peer router MAC address. The range of this value is from 0 to 3600 seconds. The default is 0.
HoldUpTimer	Defines how long the RSMLT system maintains forwarding for its peer. The value is a range from 0 to 3600 seconds or 9999. 9999 means infinity. The default is 0.
SmltId	Specifies the ID range for the SMLT. A valid range is 1 to 512.
VrfId	Identifies the VRF.
VrfName	Indicates the VRF name.

Viewing RSMLT peer information

About this task

Perform this procedure to view and edit RSMLT peer information.

Procedure

1. In the navigation pane, expand the following folders: **Configuration > IP**.
2. Click **RSMLT**.
3. Click the **Peer** tab.

Peer field descriptions

Use the following table to use the **Peer** tab.

Name	Description
IfIndex	IP interface identification.
VlanId	Specifies the VLAN ID of the chosen VLAN.
IpAddr	Specifies the IP address on the RSMLT VLAN.
MacAddr	Specifies the MAC address of the selected VLAN.
Enable	Displays the RSMLT operating status as enabled or disabled.

Table continues...

Name	Description
OperStatus	Displays the RSMLT operating status as either up or down. The default is down.
HoldDownTimer	Defines how long the recovering/restarting system remains in a non-Layer 3 forwarding mode for the peer router MAC address. The range of this value is from 0 to 3600 seconds. The default is 0.
HoldUpTimer	Defines how long the RSMLT system maintains forwarding for its peer. The value is a range from 0 to 3600 seconds or 9999. 9999 means infinity. The default is 0.
HoldDownTimeRemaining	Displays the time remaining of the HoldDownTimer. The default is 0.
HoldUpTimeRemaining	Displays the time remaining of the HoldUpTimer. The default is 0.
SmltId	Specifies the ID range for the Split MultiLink Trunk. A valid range is 1 to 32.
VrfId	Identifies the VRF.
VrfName	Indicates the VRF name.

Enabling RSMLT Edge support

Enable RSMLT Edge support to store the RSMLT peer MAC and IP address-pair in the local configuration file and restore the configuration if the peer does not restore after a simultaneous restart of both RSMLT peer systems.

The default is disabled.

Procedure

1. In the navigation pane, expand the following folders: **Configuration > IP**.
2. Click **RSMLT**.
3. Click the **Globals** tab.
4. Select **EdgeSupportEnable**.
5. Click **Apply**.

Viewing RSMLT edge support information

About this task

View RSMLT edge support information to verify the RSMLT peer MAC/IP address-pair in its local configuration file and restore the configuration if the peer does not restore it after a simultaneous restart of both RSMLT-peer systems.

Procedure

1. In the navigation pane, expand the following folders: **Configuration > IP**.
2. Click **RSMLT**.
3. Click the **Edge Peers** tab.

Edge Peers field descriptions

Use the data in the following table to use the **Edge Peers** tab fields.

Name	Description
VlanId	Specifies the VLAN ID of the chosen VLAN.
PeerIpAddress	Specifies the peer IP address.
PeerMacAddress	Specifies the peer MAC address.
PeerVrflid	Identifies the Peer VRF.
PeerVrfName	Specifies the Peer VRF name.

Chapter 16: VRRP configuration using the CLI

One active master switch exists for each IP subnet. All other VRRP interfaces in a network are in backup mode.

Virtual Router Redundancy Protocol (VRRP) eliminates the single point of failure that can occur after the single static default gateway router for an end station is lost. VRRP introduces the concept of a virtual IP address shared between two or more routers connecting the common subnet to the enterprise network.

 **Note:**

The VRRP virtual IP address cannot be same as the local IP address of the port or VLAN on which VRRP is enabled.

 **Important:**

The switch, when it acts as a VRRP master, does not reply to Simple Network Management Protocol (SNMP) Get requests to the VRRP virtual interface address. However, if the switch acts as a VRRP master, and receives SNMP Get requests to its physical IP address, then it does respond.

The Simple Network Management Protocol (SNMP) provides facilities to manage and monitor network resources. An SNMP manager and agent communicate through the SNMP protocol. The manager sends queries and the agent responds. An SNMP Get request is a message that requests the values of one or more objects.

 **Note:**

The VRRP IP address responds only to ICMP-based traceroute requests. It does not respond to UDP-based traceroute requests.

When you use the fast advertisement interval option to configure a master and backup device, you must enable the fast advertisement interval option on both systems for VRRP to work correctly. If you configure one device with the regular advertisement interval, and the other device with the fast advertisement interval, it causes an unstable state and drops advertisements.

Configuring VRRP on a port or a VLAN

About this task

Configure VRRP on a port or a VLAN to forward packets to the virtual IP addresses associated with the virtual router and customize the VRRP configuration.

Procedure

1. Enter GigabitEthernet Interface Configuration mode:

```
enable

configure terminal

interface GigabitEthernet {slot/port[/sub-port] [-slot/port[/sub-port]] [, ...]}
```

*** Note:**

If your platform supports channelization and the port is channelized, you must also specify the sub-port in the format slot/port/sub-port.

2. Configure a backup VRRP address:

```
ip vrrp address <1-255> <A.B.C.D>
```

3. Configure VRRP on a port:

```
ip vrrp <1-255> enable
```

4. Show the global VRRP configuration:

```
show ip vrrp
```

Example

```
Switch:1> enable
Switch:1# configure terminal
Switch:1(config)# interface gigabitethernet 1/2
```

Configure a backup VRRP address:

```
Switch:1(config-if)# ip vrrp address 28 192.0.2.1
```

Configure VRRP on a port:

```
Switch:1(config-if)# ip vrrp 28 enable
```

Show the global VRRP configuration:

```
Switch:1(config-if)# show ip vrrp
```

Variable definitions

Use the data in the following table to use the `ip vrrp` command.

Variable	Value
1-255	Specifies the number of the VRRP to create or modify.

Table continues...

Variable	Value
action {none preempt}	<p>Causes the virtual router to disregard the timer and transition to Master state immediately, provided the hold-down timer is running.</p> <p>* Note: You can use this parameter only if the hold-down timer is active.</p> <p>To set this option to the default value, use the default operator with this command.</p>
action {none preempt}	<p>Enables the choice option to manually override the hold-down timer and force preemption.</p> <p>You can configure none preempt to preempt the timer or configure it as none to allow the timer to keep working.</p> <p>To configure this option to the default value, use the default operator with this command.</p>
address <1-255> <A.B.C.D>	<p>Configures the IP address of the VRRP physical interface that forwards packets to the virtual IP addresses associated with the virtual router.</p> <p>A.B.C.D is the IP address of the master VRRP.</p> <p>Use the no operator to remove the IP address of the VRRP physical interface: <code>no ip vrrp address <1-255> <A.B.C.D></code>. To configure this option to the default value, use the default operator with this command.</p>
adver-int <1-255>	<p>Configures the the time interval between sending VRRP advertisement messages. The range is between 1 and 255 seconds. This value must be the same on all participating routers. The default is 1.</p> <p>To configure this option to the default value, use the default operator with this command.</p>
backup-master enable	<p>Enables the VRRP backup master.</p> <p>Use the no operator to disable the VRRP backup master: <code>no ip vrrp <1-255> backup-master enable</code>. To configure this option to the default value, use the default operator with this command.</p> <p>When backup master functionality is enabled, the VRRP router will IP-forward packets destined to the VRRP MAC even when the router is not the VRRP Master.</p> <p>! Important: Do not enable backup master if you enable critical IP.</p>
critical-ip-addr <A.B.C.D>	<p>Configures the critical IP address for VRRP.</p>

Table continues...



Variable	Value
	<p>A.B.C.D is the IP address on the local router, which is configured so that a change in its state causes a role switch in the virtual router (for example, from master to backup) in case the interface stops responding.</p> <p> Note:</p> <p>In this context, <i>local</i> implies an address from the same VRF as the IP interface where VRRP is being configured.</p>
critical-ip enable	<p>Enables the critical IP address option.</p> <p>Use the no operator to disable the critical IP address option: <code>no ip vrrp <1-255> critical-ip enable</code>. To configure this option to the default value, use the default operator with this command.</p> <p> Important:</p> <p>Do not enable Critical IP if backup master is enabled.</p>
enable	<p>Enables VRRP on the port.</p> <p>Use the no operator to disable VRRP on the port: <code>no ip vrrp <1-255> enable</code>. To configure this option to the default value, use the default operator with this command.</p>
fast-adv enable	<p>Enables the Fast Advertisement Interval. The default is disabled.</p> <p>Use the no operator to disable VRRP on the port: <code>no ip vrrp <1-255> fast-adv enable</code>. To configure this option to the default value, use the default operator with this command.</p>
fast-adv-int <200-1000>	<p>Configures the Fast Advertisement Interval, the time interval between sending VRRP advertisement messages.</p> <p><i>200-1000</i> is the range in milliseconds, and must be the same on all participating routers. The default is 200. You must enter values in multiples of 200 milliseconds.</p> <p>To configure this option to the default value, use the default operator with this command.</p>
holddown-timer <0-21600>	<p>Specifies the time interval (in seconds) for which the transition of virtual router to Master state is delayed in case of the following conditions:</p> <ul style="list-style-type: none"> • The VRRP hold-down timer runs only when the VRRP virtual router transitions from initialization to backup to master. This occurs only on a system startup. • The VRRP hold-down timer does not run if the amount of time passed since VRRP virtual router initialization is greater than preset hold-down time. In such a case, VRRP virtual router transitions to Master happens irrespective of the hold-down timer. • The VRRP hold-down timer also applies to the VRRP BackupMaster feature.

Table continues...

Variable	Value
	0-21600 is the time interval range (in seconds). To configure this option to the default value, use the default operator with this command. The default value for hold-down timer is 0, that is, the timer is disabled by default.
priority <1-255>	Configures the port VRRP priority. 1-255 is the value used by the VRRP router. The default is 100. Assign the value 255 to the router that owns the IP address associated with the virtual router. To configure this option to the default value, use the default operator with this command.

Showing VRRP information

About this task

Show VRRP port or VLAN information to view configuration details and operational status.

Procedure

1. Enter Privileged EXEC mode:

```
enable
```

2. Display basic VRRP configuration information about the specified port, all ports, or the VLAN:

```
show ip vrrp address [vrid <1-255>] [addr <A.B.C.D>] [vrf  
WORD<1-16>] [vrfids WORD<0-512>]
```

3. Displaying the VRRPv3 configuration:

```
show ip vrrp address version <2-3>
```

4. Displaying version based VRRP configuration for the specified VRF:

```
show ip vrrp address vrf WORD<1-16> version <2-3>
```

5. Displaying version based VRRP configuration for the specified VRF ID:

```
show ip vrrp address vrfids WORD<0-512> version <2-3>
```

Example

```
Switch:1#show ip vrrp address
```

```
=====
                        VRRP Info - GlobalRouter
=====
VRRP ID  P/V      IP           MAC           STATE   CONTROL  PRIO  ADV  VERSION
-----
3         3         30.30.30.99  00:00:5e:00:01:03  Master  Enabled  100   1    2
```

```

2          1/1          20.20.20.99          00:00:5e:00:01:02 Master Enabled 100 1 3
2 out of 2 Total Num of VRRP Address Entries displayed.

VRRP ID  P/V      MASTER          UP TIME          HLD DWN  CRITICAL IP (ENABLED)  VERSION
-----
3          3          30.30.30.18     0 day(s), 00:08:53  0         0.0.0.0             (No)  2
2          1/1          20.20.20.18     0 day(s), 00:02:01  0         0.0.0.0             (No)  3

2 out of 2 Total Num of VRRP Address Entries displayed.

VRRP ID  P/V      BACKUP MASTER  BACKUP MASTER STATE  FAST ADV (ENABLED)  VERSION
-----
3          3          disable        down                  200                 (NO)                2
2          1/1          disable        down                  200                 (NO)                3

2 out of 2 Total Num of VRRP Address Entries displayed.

```

Variable definitions

Use the data in the following table to use the `show ip vrrp address` command.

Variable	Value
addr <A.B.C.D>	Specifies the physical local address of the master VRRP.
vrf WORD<1-16>	Specifies the name of the VRF.
vrid <1-255>	Specifies a unique integer value that represents the virtual router ID in the range 1–255. The virtual router acts as the default router for one or more assigned addresses.
vrfids WORD<0-512>	Specifies the ID of the VRF and is an integer in the range of 0–512.
version <2–3>	Specifies the VRRP version (2 or 3) to be shown.

Use the data in the following table to interpret the `show ip vrrp address` command output.

Table 32: Field descriptions

Name	Description
ADV	Indicates the Advertisement Interval, in seconds, between sending advertisement messages.
BACKUP MASTER	Indicates if the Backup-Master feature is disabled or enabled.
BACKUP MASTER STATE	Indicates if the Backup-Master is up. If the switch is in Master state but Backup-Master is enabled, then the BACKUP MASTER STATE will be down.
CONTROL	Indicates the virtual router function. Configure the value to enabled to transition the state of the router from initialize to backup. Configure the

Table continues...

Name	Description
	value to disabled to transition the router from master or backup to initialize.
CRITICAL IP	Indicates the IP address of the interface that is critical to VRRP. If that IP interface is down, the VRRP state will transition to Backup, even if it has higher priority.
CRITICAL IP (ENABLED)	Indicates if the critical IP feature is enabled.
FAST ADV	Indicates the Fast Advertisement Interval, in milliseconds, between sending advertisement messages. When the Fast Advertisement Interval is enabled, the Fast Advertisement Interval is used instead of the regular advertisement interval.
FAST ADV (ENABLED)	Indicates the state of fast advertisement.
HLD DWN	<p>Specifies the time interval (in seconds) the Hold-down timer has until it expires. If the value is 0, it means the Hold-down timer is not running. This timer will delay the transition from Backup to Master only on a system startup (the VRRP comes from INIT to Backup and determines it should become Master).</p> <ul style="list-style-type: none"> • The VRRP hold-down timer runs when the system transitions from initialization to backup to master. This occurs only on a system startup • The VRRP hold-down timer does not run under the following condition: In a nonstartup condition, the backup system becomes master after the Master Downtime Interval (3 * hello interval), if the master virtual router goes down • The VRRP hold-down timer also applies to the VRRP BackupMaster feature
IP	Indicates the assigned IP addresses that a virtual router backs up.
MAC	Indicates the virtual MAC address of the virtual router in the format 00-00-5E-00-01-<vrrpid>, where the first three octets consist of the IANA OUI; the next two octets indicate the address block of the VRRP protocol; and the remaining octets consist of the vrrpid.
MASTER	Indicates the master router real (primary) IP address.
PRIO	<p>Indicates the priority for the virtual router with respect to other virtual routers that are backing up one or more associated IP addresses. Higher values indicate higher priority.</p> <p>A priority of 255 cannot be configured and it is set for the VRRP router that has the same IP as the physical IP addresses (is Address Owner).</p>
P/V	Indicates the P(ort)/V(lan) on which the VRRP was configured.
STATE	<p>Indicates the current state of the virtual router.</p> <p>initialize—waiting for a startup event</p> <p>backup—monitoring the state or availability of the master router</p> <p>master—forwarding IP addresses associated with this virtual router.</p>

Table continues...

Name	Description
UP TIME	Indicates the time interval since this virtual router exited the INIT state.
VRRP ID	Indicates the virtual router ID on a VRRP router.
VERSION	Indicates the VRRP version.

Showing extended VLAN VRRP

Perform this procedure to display the extended VRRP configuration for all VLANs or a specified VLAN on the device.

Procedure

1. Enter Privileged EXEC mode:

```
enable
```

2. Show the extended VRRP configuration for all VLANs on the device or for the specified VLAN:

```
show ip vrrp interface vlan [<1-4059>] [portList] verbose [vrf
WORD<1-16>] [vrffids WORD<0-512>]
```

Example

```
Switch:1#show ip vrrp interface vlan
```

```
=====
                                Vlan Vrrp
=====
VLAN VRF          VRRP IP          VIRTUAL
ID   NAME          ID   ADDRESS         MAC ADDRESS
-----
200  GlobalRouter    17   9.9.9.42        00:00:5e:00:01:11
All 1 out of 1 Total Num of Vlan Vrrp displayed
```

Variable definitions

Use the data in the following table to use the **show ip vrrp interface vlan** command.

Variable	Value
<1-4059>	Specifies the VLAN ID in the range of 1 to 4059. By default, VLAN IDs 1 to 4059 are configurable and the system reserves VLAN IDs 4060 to 4094 for internal use. On switches that support the vrf-scaling and spbm-config-mode boot configuration flags, if you enable these flags, the system also reserves VLAN

Table continues...

Variable	Value
	IDs 3500 to 3998. VLAN ID 1 is the default VLAN and you cannot create or delete VLAN ID 1.
portList	Specifies the slot or port number of a range of ports.
vrf WORD<1-16>	Specifies the name of the VRF.
vrfids WORD<0-512>	Specifies the ID of the VRF and is an integer in the range of 0–512.

Use the data in the following table to use the `show ip vrrp interface vlan [<1-4059>] [portList] verbose [vrf WORD<1-16>] [vrfids WORD<0-512>]` command output.

Variable	Value
VLAN ID	Indicates the VLAN ID.
STATE	Indicates the current state of the virtual router. <ul style="list-style-type: none"> • initialize—waiting for a startup event • backup—monitoring the state or availability of the master router • master—forwarding IP addresses associated with this virtual router
CONTROL	Indicates the virtual router function. Configure the value to enabled to transition the state of the router from initialize to backup. Configure the value to disabled to transition the router from master or backup to initialize.
PRIORITY	Indicates the priority for the virtual router (for example, master election) with respect to other virtual routers that are backing up one or more associated IP addresses. Higher values indicate higher priority. A priority of 0, which you cannot configure, indicates that this router ceased to participate in VRRP and a backup virtual router transitions to become a new master. Use a priority of 255 for the router that owns the associated IP addresses.
MASTER IPADDR	Indicates the master router real (primary) IP address. The master IP address is listed as the source in the VRRP advertisement last received by this virtual router.
ADVERTISE INTERVAL	Indicates the time interval, in seconds, between sending advertisement messages. Only the master router sends VRRP advertisements.
CRITICAL IPADDR	Indicates the IP address of the interface that causes a shutdown event.
HOLDDOWN_TIME	Indicates the configured time (in seconds) that the system waits before it preempts the current VRRP master.
ACTION	Indicates the trigger for an action on this VRRP interface. Options include none and preemptHoldDownTimer.
CRITICAL IP ENABLE	Indicates that a user-defined critical IP address is enabled. No indicates the use of the default IP address (0.0.0.0).
BACKUP MASTER	Indicates the state of designating a backup master router.
BACKUP MASTER STATE	Indicates the state of the backup master router.

Table continues...

Variable	Value
FAST ADV INTERVAL	Indicates the time interval, in milliseconds, between sending Fast Advertisement messages. When the Fast Advertisement Interval is enabled, the Fast Advertisement Interval is used instead of the regular advertisement interval.
FAST ADV ENABLE	Indicates the Fast Advertisement Interval status.

Showing VRRP interface information

About this task

If you enter a virtual router ID or an IP address when showing VRRP interface information, the information appears only for that virtual router ID or for that interface.

Procedure

1. Enter Privileged EXEC mode:
enable
2. Display VRRPv3 information about the specified interface:
show ip vrrp interface version <2-3>
3. Display additional VRRPv3 information about the specified interface:
show ip vrrp interface verbose version <2-3>
4. Display VRRPv3 information for the specified VRF:
show ip vrrp interface vrf WORD<1-16> version <2-3>
5. Display VRRPv3 information for the specified virtual router:
show ip vrrp interface vrfids WORD<0-512> [version <2-3>]

Example

```
Switch:1#show ip vrrp interface
```

```
=====
                        Vlan Vrrp
=====
VLAN VRF          VRRP IP          VIRTUAL          VERSION
ID  NAME          ID  ADDRESS          MAC ADDRESS
-----
3   GlobalRouter  3   30.30.30.99     00:00:5e:00:01:03 2
All 1 out of 1 Total Num of Vlan Vrrp displayed

=====
                        Port Vrrp
=====
PORT VRF          VRRP IP          VIRTUAL          VERSION
NUM  NAME          ID  ADDRESS          MAC ADDRESS
```

VRRP configuration using the CLI

```

-----
1/1 GlobalRouter 2 20.20.20.99 00:00:5e:00:01:02 3
Switch:1#

Switch:1#show ip vrrp interface verbose
-----
Vlan Vrrp Extended
-----
=====
VLAN VRRP VRF          MASTER      ADVERTISE CRITICAL  VERSION
ID   ID   NAME    STATE  CONTROL  PRIORITY  IPADDR      INTERVAL  IPADDR
-----
10   1   Global~ init   disable 100    0.0.0.0    1    0.0.0.0    3
20   2   Global~ init   disable 100    0.0.0.0    1    0.0.0.0    3
-----
All 2 out of 2 Total Num of Vlan Vrrp Extended Entries displayed

VLAN VRRP VRF          HOLDDWN ACTION  CRITICAL BACKUP  BACKUP  FAST ADV  FAST ADV VERSION
ID   ID   NAME    STATE  TIME   IP      MASTER  MASTER  INTERVAL  ENABLE   ENABLE
-----
10   1   GlobalRouter 0      none  disable  disable down    200    disable  3
20   2   GlobalRouter 0      none  disable  disable down    200    disable  3
-----
All 2 out of 2 Vlan Vrrp Extended Entries displayed

VLAN VRRP VRF          MASTER ADV  PREEMPT  PSEUDO-HEADER VERSION
ID   ID   NAME    INTERVAL(ms)  MODE  CHECKSUM
-----
10   1   GlobalRouter 1000          enabled enabled    3
20   2   GlobalRouter 1000          enabled enabled    3
-----
All 2 out of 2 Vlan Vrrp Extended Entries displayed
-----
Port Vrrp Extended
-----
=====
PORT VRRP VRF          MASTER      ADVERTISE CRITICAL  VERSION
NUM  ID   NAME    STATE  CONTROL  PRIORITY  IPADDR      INTERVAL  IPADDR
-----
1/2  3   Global~ init   disable 100    0.0.0.0    1    0.0.0.0    3
-----
PORT VRRP VRF          HOLDDWN ACTION  CRITICAL BACKUP  BACKUP  FAST ADV  FAST ADV VERSION
NUM  ID   NAME    STATE  TIME   IP      MASTER  MASTER  INTERVAL  ENABLE   ENABLE
-----
1/2  3   GlobalRouter 0      none  disable  disable down    200    disable  3
-----
PORT VRRP VRF          MASTER ADV  PREEMPT  PSEUDO-HEADER VERSION
NUM  ID   NAME    INTERVAL(ms)  MODE  CHECKSUM
-----
1/2  3   GlobalRouter 1000          enabled enabled    3
-----

```

Variable definitions

Use the data in the following table to use the **show ip vrrp interface** command.

Variable	Value
gigabitethernet {slot/port[-slot/port]}[,...]	Specifies to show the VRRP information of which interface.

Table continues...

Variable	Value
verbose	Specifies to show all available information about the VRRP interfaces.
vlan	Specifies the VLAN that contains the VRRP.
vrf WORD<1-16>	Specifies the name of the VRF.
vrid <1-255>	Specifies a unique integer value that represents the virtual router ID in the range 1–255. The virtual router acts as the default router for one or more assigned addresses.
vrfids WORD<0-512>	Specifies the ID of the VRF and is an integer in the range of 0–512.
version<2–3>	Specifies the VRRP version (2 or 3) configured.

Enabling ping to a virtual IP address

Use the following procedure to enable ping to a virtual IP address. The default is enabled.

Procedure

1. Enter VRRP Router Configuration mode:

```
enable
configure terminal
router vrrp
```

2. Enable ping to a virtual IP address:

```
ping-virtual-address enable [vrf WORD<1-16>]
default ping-virtual-address enable [vrf WORD<1-16>]
```

3. Disable ping to a virtual IP address:

```
no ping-virtual-address enable [vrf WORD<1-16>]
```

4. Display the configuration:

```
show ip vrrp [vrf WORD<1-16>]
```

Example

```
Switch:1>enable
Switch:1#configure terminal
Switch:1(config)#router vrrp
Switch:1(config-vrrp)#ping-virtual-address enable vrf mgmtrouter
Switch:1(config)#show ip vrrp vrf mgmtrouter

=====
VRRP Global Settings - VRF mgmtrouter
=====
ping-virtual-address : enabled
send-trap : enabled
```

Variable definitions

Use the data in the following table to use the `ping-virtual-address enable` and `show ip vrrp` commands.

Variable	Value
enable	Enables ping to a virtual IP address.
vrf <i>WORD</i> <1-16>	Specifies the VRF.

Configuring VRRP notification control

Use the following procedure to enable VRRP notification control. The generation of SNMP traps for VRRP events is enabled, by default.

About this task

You can configure traps by creating SNMPv3 trap notifications, creating a target address to send the notifications, and specify target parameters. For more information about how to configure trap notifications, see *Troubleshooting*.

Procedure

1. Enter VRRP Router Configuration mode:


```
enable
configure terminal
router vrrp
```
2. Enable a trap for VRRP events:


```
send-trap enable [vrf WORD<1-16>]
```
3. Disable a trap for VRRP events:


```
no send-trap enable [vrf WORD<1-16>]
```
4. Configure a trap for VRRP events to the default:


```
default send-trap enable [vrf WORD<1-16>]
```
5. Display the configuration:


```
show ip vrrp [vrf WORD<1-16>]
```

Example

```
Switch:1>enable
Switch:1#configure terminal
Switch:1(config)#router vrrp
Switch:1(config-vrrp)#send-trap enable vrf mgmtrouter
Switch:1(config)#show ip vrrp vrf mgmtrouter
```

```

=====
VRRP Global Settings - VRF mgmtrouter
=====
ping-virtual-address : enabled
send-trap : enabled

```

Variable definitions

Use the data in the following table to use the `send-trap` and `show ip vrrp` commands.

Variable	Value
enable	Enables generation of SNMP traps.
vrf <i>WORD</i> <1–16>	Configures the send-trap for a particular VRF.

Configuring VRRP version on an interface

About this task

Use the following command to configure the VRRP version on an interface.

Procedure

1. Enter Interface Configuration mode:

```

enable
configure terminal
interface GigabitEthernet {slot/port[/sub-port] [-slot/port[/sub-
port]][, ...]} or interface vlan <1-4059>

```

*** Note:**

If your platform supports channelization and the port is channelized, you must also specify the sub-port in the format slot/port/sub-port.

2. Use the following command to configure the VRRP version:

```
ip vrrp version <2-3>
```

3. Use the following command to set the VRRP version to default:

```
default ip vrrp version
```

Example

```

Switch:1> enable
Switch:1# configure terminal
Switch:1(config)# interface gigabitethernet 1/2

```

Configure VRRP version for the specified interface:

```
Switch:1(config-if)# ip vrrp version 3
```

Variable definitions

Use the data in the following table to use the `ip vrrp version` command.

Variable	Value
<code>version <2–3></code>	Configures the VRRP version (2 or 3) on the specified interface

Enabling IPv4 VRRP preempt-mode

You can configure VRRP to preempt the existing router. If a new VRRP router is added to the network with a higher priority than the existing routers, then the new router becomes the master. If preempt-mode is disabled, then the new router does not become a master, it transitions to master only when the current master is down, that is when it does not receive any advertisement packets from the current master. By default, preempt-mode is enabled.

Procedure

1. Enter Interface Configuration mode:

```
enable
```

```
configure terminal
```

```
interface GigabitEthernet {slot/port[/sub-port] [-slot/port[/sub-port]] [, ...]} or interface vlan <1-4059>
```

*** Note:**

If your platform supports channelization and the port is channelized, you must also specify the sub-port in the format slot/port/sub-port.

2. Enter the following command:

```
ip vrrp <vrid> preempt-mode enable
```

3. Use the following command to set the preempt-mode to its default value:

```
default ip vrrp <vrid> preempt-mode
```

4. Use the following command to disable the preempt-mode:

```
no ip vrrp <vrid> preempt-mode enable
```

Example

```
Switch:1> enable
Switch:1# configure terminal
Switch:1(config)# interface gigabitethernet 1/2
```

Enabling preempt-mode on interface 1/2:

```
Switch:1(config-if)# ip vrrp 1 preempt-mode enable
```

Variable definitions

Use the data in the following table to use the `ip vrrp <vrid>` command.

Variable	Value
<i>preempt-mode enable</i>	Enables preempt-mode for VRRPv3 for IPv4.
<i>default ip vrrp <vrid> preempt-mode</i>	Sets the default preempt-mode value for VRRPv3 for IPv4.
<i>no ip vrrp <vrid> preempt-mode enable</i>	Disables preempt-mode for VRRPv3 for IPv4.

Chapter 17: VRRP configuration using EDM

One active master switch exists for each IP subnet. All other VRRP interfaces in a network are in backup mode.

If you have VRRP and IP routing protocols configured on the same IP physical interface, you cannot select the interface address as the VRRP virtual IP address (logical IP address). Use a separate dedicated IP address for VRRP.

To modify the behavior of the VRRP failover mechanism, use the hold-down timer to allow the router enough time to detect and update routes. The timer delays the preemption of the master over the backup, when the master becomes available. The hold-down timer has a default value of 0 seconds. Configure all of your routers to the identical number of seconds for the hold-down timer. In addition, you can manually force the preemption of the master over the backup before the delay timer expires.

Note:

The VRRP virtual IP address cannot be the same as the local IP address of the port or VLAN on which VRRP is enabled.

Important:

The switch, when it acts as a VRRP master, does not reply to Simple Network Management Protocol (SNMP) Get requests to the VRRP virtual interface address. However, if the switch acts as a VRRP master, and receives SNMP Get requests to its physical IP address, then it does respond.

The Simple Network Management Protocol (SNMP) provides facilities to manage and monitor network resources. An SNMP manager and agent communicate through the SNMP protocol. The manager sends queries and the agent responds. An SNMP Get request is a message that requests the values of one or more objects.

Note:

The VRRP IP address responds only to ICMP-based traceroute requests. It does not respond to UDP-based traceroute requests.

Before you begin

- Assign an IP address to the interface.
- Enable VRRP globally.

Enabling VRRP global variables

About this task

Enable VRRP global variables to enable the VRRP function.

Procedure

1. In the navigation pane, expand the following folders: **Configuration > IP**.
2. Click **VRRP**.
3. Click the **Globals** tab.
4. Configure the required features.
5. Click **Apply**.

Globals field descriptions

Use the data in the following table to use the **Globals** tab.

Name	Description
NotificationCntl	Indicates whether the VRRP-enabled router generates SNMP traps for events. <ul style="list-style-type: none"> • enabled—SNMP traps are generated • disabled—no SNMP traps are sent The default is enabled.
PingVirtualAddrEnable	Configures whether this device responds to pings directed to a virtual router IP address. The default is enabled.

Modifying VRRP parameters for an interface

Before you begin

- You must enable VRRP on a brouter port or VLAN.

About this task

You can manage and configure VRRP parameters for the routing interface.

Procedure

1. In the navigation pane, expand the following folders: **Configuration > IP**.
2. Click **VRRP**.
3. Click the **Interface** tab.

4. Double-click the **HoldDownTimer** field, and enter the number of seconds for the timer.

The **HoldDownState** field displays active when the hold-down timer is counting down and preemption occurs. The field displays dormant when preemption is not pending. When the hold-down timer is active, the **HoldDownTimeRemaining** field displays the seconds remaining before preemption.

5. In the **Action** check box, select an option.
6. Click **Apply**.

Interface field descriptions

Use the data in the following table to use the **Interface** tab.

Name	Description
IfIndex	Specifies the index value that uniquely identifies the interface to which this entry is applicable.
VrId	Specifies a number that uniquely identifies a virtual router on a VRRP router. The virtual router acts as the default router for one or more assigned addresses (1 to 255).
IpAddr	Specifies the assigned IP addresses that a virtual router is responsible for backing up.
VirtualMacAddr	Specifies the MAC address of the virtual router interface.
State	Specifies the state of the virtual router interface: <ul style="list-style-type: none"> • Initialize—waiting for a startup event • Backup—monitoring availability and state of the master router • Master—functioning as the forwarding router for the virtual router IP addresses.
Control	Specifies whether VRRP is enabled or disabled for the port (or VLAN). The default is enabled.
Priority	Specifies the priority value used by this VRRP router. Set a value from 1 to 255, where 255 is reserved for the router that owns the IP addresses associated with the virtual router. The default is 100.
AdvertisementInterval	Specifies the time interval (in seconds) between sending advertisement messages. The range is 1 to 255 seconds with a default of 1 second. Only the master router sends advertisements. The default is 1.
MasterIpAddr	Specifies the IP address of the physical interface of the master virtual router that forwards packets sent to

Table continues...


Name	Description
	the virtual IP addresses associated with the virtual router.
VirtualRouterUpTime	Specifies the time interval (in hundredths of a second) since the virtual router was initialized.
Action	Lists options to override the delay timer manually and force preemption: <ul style="list-style-type: none"> • none does not override the timer • preemptHoldDownTimer preempts the timer
HoldDownTimer	Configures the amount of time (in seconds) to wait before preempting the current VRRP master.
HoldDownState	Indicates the hold-down state of this VRRP interface. If the hold-down timer is operational, this variable is set to active; otherwise, this variable is set to dormant.
HoldDownTimeRemaining	Indicates the amount of time (in seconds) left before the HoldDownTimer expires.
CriticalIpAddr	Configures the critical IP address for VRRP. <p>This command specifies an IP interface on the local router, which is configured so that a change in its state causes a role switch in the virtual router (for example, from master to backup) in case the interface stops responding.</p> <p> Note:</p> <p>In this context, <i>local</i> implies an address from the same VRF as the IP interface where VRRP is being configured.</p>
CriticalIpAddrEnable	Configures the IP interface on the local router to enable or disable the backup. The default is disabled.
BackUpMaster	Enables the backup VRRP system traffic forwarding. The default is disabled.
BackUpMasterState	Indicates whether the backup VRRP system traffic forwarding is enabled or disabled. The default is disabled.
FasterAdvInterval	Configures the Fast Advertisement Interval between sending VRRP advertisement messages. The interval is between 200 and 1000 milliseconds, and you must enter the same value on all participating routers. The default is 200. You must enter the values in multiples of 200 milliseconds.

Table continues...

Name	Description
FasterAdvIntervalEnable	Enables or disables the Fast Advertisement Interval. When disabled, the regular advertisement interval is used. The default is disable.

Configuring VRRP on a V3 interface

Perform this procedure to configure VRRP on a V3 interface on either a brouter port or a VLAN.

Before you begin

- Assign an IPv4 address to the interface
- Enable routing globally
- Do not configure RSMLT on the VLAN

Procedure

1. In the navigation pane, expand the following folders: **Configuration > IP**.
2. Click **VRRP**.
3. Click the **V3 Interface** tab.
4. Click **Insert**.
5. Beside the **IfIndex** field, click **Port** or **VLAN**.
6. Select a port or VLAN.
7. Click **OK**.
8. Type the virtual router ID.
9. Type the primary IP address.
10. Type the advertisement interval.
11. Click **Insert**.

Interface field descriptions

Use the data in the following table to use the **Interface** tab.

Name	Description
IfIndex	Shows the index value that uniquely identifies the interface to which this entry applies.
InetAddrType	Specifies the source network INET Address Type.

Table continues...

Name	Description
Vrld	Specifies a number that uniquely identifies a virtual router on a VRRP router.
PrimaryIpAddr	Specifies the virtual address assigned to the VRRP.
VirtualMacAddr	Specifies the MAC address of the virtual router interface.
State	Shows the state of the virtual router interface. The possible states are <ul style="list-style-type: none"> • initialize—waiting for a startup event • backup—monitoring availability and state of the master router • master—functioning as the forwarding router for the virtual router IP addresses
Control	Displays whether VRRP is enabled or disabled for the port or VLAN.
Priority	Specifies the priority value used by this VRRP router. The value 255 is reserved for the router that owns the IP addresses associated with the virtual router. The default is 100.
AdvInterval	Specifies the time interval, in seconds, between sending advertisement messages. The default is 1 second.
MasterIpAddr	Specifies the IP address of the physical interface of the Master's virtual router.
UpTime	Indicates the time interval since this virtual router exited the INIT state.
CriticalIpAddr	Indicates the IP address of the interface that is critical to VRRP. If that IP interface is down, the VRRP state will transition to Backup, even if it has higher priority.
CriticalIpAddrEnabled	Enables or disables the use of critical IP. When disabled, the VRRP ignores the availability of the address configured as critical IP. This address must be a local address. The default is disabled.
BackUpMaster	Uses the backup VRRP switch for traffic forwarding. This option reduces the traffic on the vIST. The default is disabled.
BackUpMasterState	Indicates if the Backup-Master is operational up. If the switch is in Master state but the Backup-Master is enabled, then the BACKUP MASTER STATE will be down.

Table continues...

Name	Description
FasterAdvIntervalEnabled	Enables or disables the fast advertisement interval. When disabled, the regular advertisement interval is used. The default is disable.
FasterAdvInterval	Configures the interval between VRRP advertisement messages. The default is 200. Enter the values in multiples of 200 milliseconds.
PreemptMode	Issued to preempt the existing router. If a new router is added to the network with its priority higher than the existing routers, then the new router becomes the master. The default is enabled.
Action	Lists options to override the hold-down timer manually and force preemption: <ul style="list-style-type: none"> • none does not override the timer. • preemptHoldDownTimer preempts the timer. This parameter applies only if the holddown timer is active.
HoldDownTimer	Configures the amount of time, in seconds, to wait before preempting the current VRRP master. The default is 0.
HoldDownTimeRemaining	Indicates the amount of time, in seconds, left before the HoldDownTimer expires.
MasterAdvInterval	On the VRRPv3 master, the master advertisement interval is same as the advertisement interval. On the VRRPv3 Backup, the master advertisement interval is set to the Advertisement configured on the Master (received in the packet).

Configuring VRRPv3 Checksum

Perform this procedure to configure VRRPv3 checksum on either a brouter port or a VLAN.

Procedure

1. In the navigation pane, expand the following folders: **Configuration > IP**.
2. Click **VRRP**.
3. Click the **V3 Checksum** tab.
4. Click **Insert**.
5. In the **Interface** field, click **Port** or **Vlan**.
6. Select a type of checksum computation.

7. Select a VRRP version.
8. Click **Insert**.

V3 Checksum field descriptions

Use the data in the following table to use the **V3 Checksum** tab.

Name	Description
Interface	Shows VRRPv3 information about a specified interface.
rclpConflIndex	Shows the index value that uniquely identifies the interface to which this entry applies.
ChkSumComputation	Specifies the type of checksum computation, with Pseudo Header or without Pseudo Header.
VrrpVersion	Specifies the VRRP version as unspecified, v2, or v3.

Configuring Fast Advertisement Interval on a port or a VRF instance

About this task

Configure the Fast Advertisement Interval to send VRRP advertisement messages. The interval can be between 200 and 1000 milliseconds, and it must be the same on all participating routers. The default is 200. Enter the values in multiples of 200 milliseconds.

Procedure

1. In the Device Physical View tab, select a port.
2. In the navigation pane, expand the following folders: **Configuration > Edit > Port**.
3. Click **IP**.
4. Click the **VRRP** tab.
5. Click **Insert**.
6. In the **Insert VRRP** dialog box, enable **FasterAdvIntervalEnable**.
7. In the **FasterAdvInterval** field, enter a value. You must set this value using multiples of 200 milliseconds.
8. Click **Insert**.

Configuring Fast Advertisement Interval on a VLAN or a VRF instance

About this task

Configure the Fast Advertisement Interval to send VRRP advertisement messages. The interval can be between 200 and 1000 milliseconds, and it must be the same on all participating routers. The default is 200. Enter the values in multiples of 200 milliseconds.

Procedure

1. In the navigation pane, expand the following folders: **Configuration > VLAN**.
2. Click **VLANS > Basic**.
3. Select a VLAN.
4. Click **IP**.
5. Click the **VRRP** tab.
6. Click **Insert**.
7. In the IP, VLAN, Insert VRRP dialog box, click the **FasterAdvIntervalEnable** enable option.
8. In the **FasterAdvInterval**, box, enter a value. You must set the value using multiples of 200 milliseconds.
9. Click **Insert**.

Chapter 18: VRF Lite fundamentals

Use the concepts described in this section to understand and use the Virtual Routing and Forwarding (VRF) Lite feature. Use VRF Lite to provide secure customer data isolation.

Overview

The switch supports what is termed as VRF Lite. Lite conveys the fact that the switch does not use Multiprotocol Label Switching (MPLS) for VRF; VRF Lite is a device virtualization feature, not a network-wide virtualization feature.

Use VRF Lite to offer networking capabilities and traffic isolation to customers that operate over the same node (router). Each virtual router emulates the behavior of a dedicated hardware router; the network treats each virtual router as a separate physical router. In effect, you can perform the functions of many routers using a single platform that runs VRF Lite. The result is a substantial reduction in the cost associated with providing routing and traffic isolation for multiple clients.

With multicast virtualization for IPv4, the switch can function as multiple virtual multicast routers.

The following figure shows one platform acting as multiple virtual routers, each serving a different customer network.

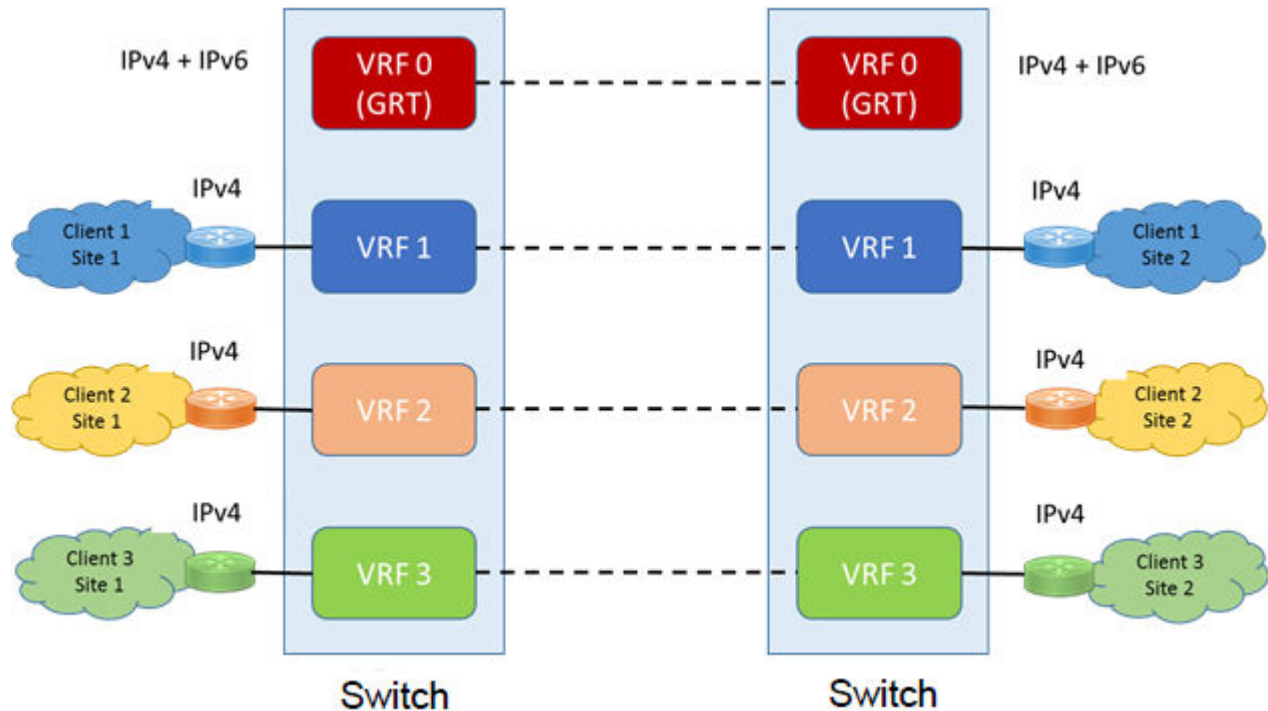


Figure 23: Multiple virtual routers in one system

A switch can support many virtual routers. Each virtual router instance is called a VRF instance. A VRF represents a single instance of a virtual router. Each instance maintains its own routing table. The term Multiple Virtual Router (MVR) is sometimes used to represent a router that contains many VRF instances.

The IPv6 Virtualization functionality adds IPv6 support on VRFs and Layer 3 VSNs. Each VRF instance has its own IPv6 interfaces, IPv6 address space, IPv6 routing table, and IPv6 global parameters. For more information on Layer 3 VSN, see *Configuring Fabric Layer 3 Services*.

The Global Router, VRF 0, is the first instance of the router. When the system starts, it creates VRF 0 by default. VRF 0 provides all non-virtual and traditional routing services. You cannot delete this instance. You can create and configure other VRF instances, if required.

VRF 0 is the only VRF that you can log into through CLI. CLI requires you to specify the VRF when you enter commands.

You can associate one VRF instance with many IPv4 or IPv6 interfaces. These interfaces are unique for each VRF instance. An interface is an entity with an IPv4 or IPv6 address that has the following characteristics:

- A unique association with a VLAN.
- A unique association with a brouter, if not associated with a VLAN
- A unique association with a circuit

A VLAN can only be associated with a single VRF instance.

*** Note:**

- You cannot associate a VLAN or port and a VRF instance if the VLAN or port has an IPv4 or IPv6 address. You must first associate the port and VRF instance and then you can configure the IPv4 or IPv6 address.
- Use command `boot config flag vrf-scaling` to increase total VRFs. You must have a premier license to increase the total VRF count on the switch. For more information on route scaling, see *Release Notes*.

VRF Lite capability and functionality

On a VRF instance, VRF Lite supports the following protocols:

- Border Gateway Protocol (BGP)
- IP
- Internet Control Message Protocol (ICMP)
- Address Resolution Protocol (ARP)
- Static routes
- Default routes
- Routing Information Protocol (RIP)
- Open Shortest Path First (OSPF)
- Route policies
- Virtual Router Redundancy Protocol (VRRP)
- Dynamic Host Configuration Protocol (DHCP), and BootStrap Protocol relay agent
- User Datagram Protocol (UDP) forwarding
- Protocol Independent Multicast - Sparse Mode (PIM-SM)
- Protocol Independent Multicast - Source Specific Multicast (PIM-SSM)
- Internet Group Management Protocol (IGMP)
- Intermediate-System-to-Intermediate-System (IS-IS)

The switch uses VRF Lite to perform the following actions:

- Partition traffic and data and represent an independent router in the network
- Provide virtual routers that are transparent to end-users
- Support addresses that are not restricted to the assigned address space provided by host Internet Service Providers (ISP)
- Support overlapping IP address spaces in separate VRF instances

*** Note:**

If you enable multicast route redistribution between two VRFs, the switch does not support IP addresses that overlap within the two VRFs. The device does not generate an error if addresses overlap. You must avoid this situation.

VRF Lite interoperates with RFC 4364, Layer 3 VPNs. Split MultiLink Trunking (SMLT) and Routed SMLT (RSMLT) are also supported for VRF instances.

Although customer data separation into Layer 3 virtual routing domains is usually a requirement, sometimes customers must access a common network infrastructure. For example, they want to access the Internet, data storage, Voice over IP (VoIP)-public switched telephone network (PSTN), or call signaling services. To interconnect VRF instances, you can use an external firewall that supports virtualization, or use inter-VRF forwarding for specific services. With the inter-VRF solution, you can use routing policies and static routes to inject IP subnets from one VRF instance to another, and you can use filters to restrict access to certain protocols. The following figure depicts inter-VRF forwarding by the switch.

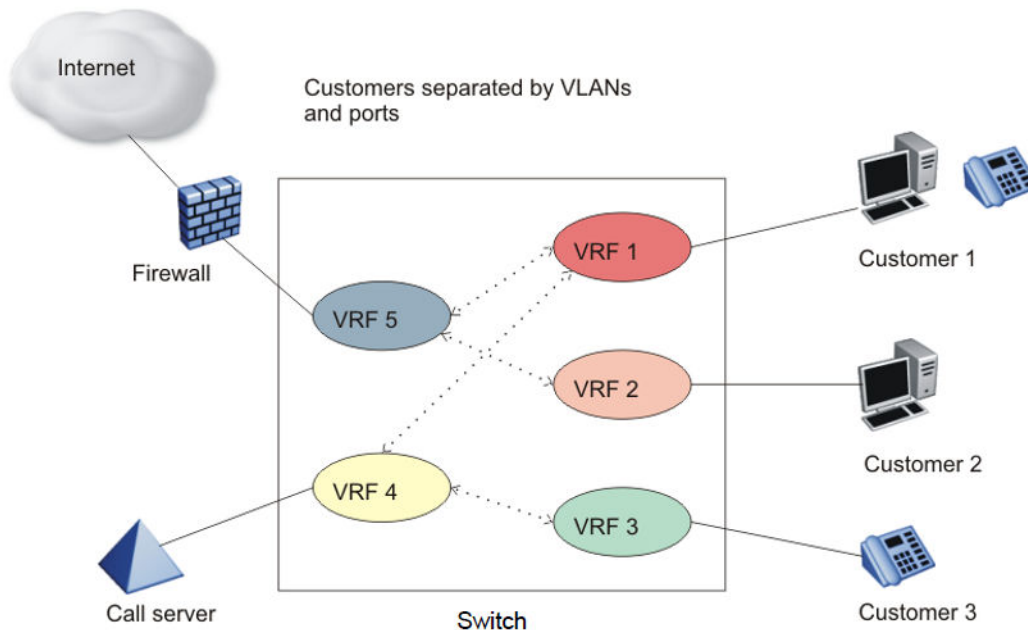


Figure 24: Inter-VRF forwarding

For more information about the latest VRF Lite scalability, see *Release Notes*.

For configuration information about multicast virtualization, see *Configuring IP Multicast Routing Protocols*.

VRF Lite and inter-VRF route redistribution

The switch supports three route redistribution functions:

- Intra-VRF inter-protocol route redistribution (redistribution within the same VRF instance), for example, redistribute RIP to OSPF.
- Inter-VRF inter-protocol redistribution (redistribution between two VRF instances), for example, redistribute RIP in VRF 2 to OSPF in VRF 4.
- Inter-VRF static routes (for example, a static route in a given VRF instance) configured as a typical static route but with the added parameter of a next-hop-vrf (the next-hop IP address is found in the next-hop-vrf instance).

With inter-VRF route redistribution, a user in one VRF instance can access route data in other VRF instances. You can redistribute routes within a VRF instance or between VRF instances; for example, one VRF instance can redistribute routes to all other VRF instances. You can redistribute Local, static, OSPF, RIP, and BGP routes and both dynamic (OSPF, BGP, and RIP) and static route redistribution is supported.

More than one routing protocol can be present in each VRF instance. Route redistribution can occur either between different protocol types, or between the same protocol types on different VRF instances.

An interface uses redistribution to announce routes that are learned by other protocols (OSPF or BGP, for example). Control route redistribution by using route policies. When you associate routing policies with route redistribution, the policy is checked before the target protocol is updated. Across VRF instances, the policy is checked at the source VRF instance, so only qualified routes are added to the routing table.

You can use static route commands to inject one specific route (including a default route) from one VRF instance to another. The route is added to the target VRF instance, while the next hop is resolved by the next-hop VRF instance.

Static routes are used to direct packets from a given source using a next-hop IP address. The next-hop-vrf option in a static route permits this path to proceed from one VRF to another. Overlapping IP addresses are supported within VRFs, thus it is possible for two VRFs to have identical IP addresses.

The following list describes interVRF route redistribution:

- Redistributed routes are added to the target VRF instance, and their next hop remains in the source VRF instance.
- If either the source or destination VRF instance is deleted, the redistribution configuration is automatically deleted.
- Redistributed routes are not further redistributed to another VRF instance.
- Route redistribution is unidirectional. You must configure route redistribution for the reverse direction if you require it. You can configure different route policies for each direction.
- After you configure interVRF route redistribution between two VRF instances, you must avoid using overlapping IP addresses between these two VRF instances.

Avoid overlapping addresses; the device does not generate an error if addresses overlap.

- Intra-VRF routes take precedence over inter-VRF routes.

- You can physically connect two VRF instances to distribute route across VRF instances (in this case, you do not need to configure route redistribution).

Route redistribution operation

To perform redistribution, the device maintains a route change list. The change list contains all the best routes that are either added to or deleted from the forwarding table. When a best route is added to or deleted from the forwarding table, the change list is updated to reflect the change and notify registered protocols. The registered protocols pick up the change from the change list when it becomes available.

An example scenario of interVRF redistribution follows. To redistribute OSPF routes in VRF 1 to RIP in VRF 0:

- Create, enable, and apply a RIP redistribution instance. The source protocol is OSPF and the VRF source is VRF 1.
- When an OSPF route is added in VRF 1, the Routing Table Manager (RTM) in VRF 1 puts the new route into the change list.
- The device notifies RIP in VRF 0, because RIP is registered with the RTM of VRF 1 for OSPF route changes.
- To send OSPF routes from VRF 1 through the RIP interface in VRF 0, the interface uses a route policy with match VRF criterion of VRF 1.

The switch also supports inter-domain multicast routing. For more information, see *Configuring IP Multicast Routing Protocols*.

Port parameters and VRF Lite management

You can configure each VRF instance as a separate router, this means that you can configure different routing protocols and associated parameters for each instance. You can associate non0 VRF instances with ports.

The port parameters that you can edit for a VRF instance depend on whether the port belongs to only one, or more than one, VRF instance. For example, if a port belongs to only one VRF, you can edit the port parameters of the VRF. If a port belongs to more than one VRF instance, you cannot edit the port parameters of that port unless you are accessing the port through the Global Router with read-write-all access. If you do not have read-write-all access, you can only edit the GlobalRouter port parameters. If a port belongs to a single non0 VRF, the port parameters can be changed by this VRF. If a port belongs to multiple VRF instances, only a user with read-write-all access who is accessing the port through the Global Router can change this port configuration.

Management VRF

The following sections detail Management VRF features.

Management port

The management port is a 10/100/1000 Mb/s Ethernet port that you can use for an out-of-band management connection to the switch.

* Note:

Not all hardware platforms provide a dedicated, physical management interface. For more information, see your hardware documentation.

Management Router VRF

The switch has a separate VRF called Management Router (MgmtRouter) reserved for the management port and the Virtual Management IP address. The configured IP subnet has to be globally unique because the management protocols, for example, SNMP, Telnet, and FTP, can go through in-band or out-of-band ports. The VRF ID for the Management Router is 512.

The switch never switches or routes transit packets between the Management Router VRF port and the Global Router VRF, or between the Management Router VRF and other VRF ports.

The switch honors the VRF of the ingress packet; however, in no circumstance does the switch allow routing between the Management VRF and Global Router VRF. The switch does not support the configuration if you have an out-of-band management network with access to the same networks present in the GRT routing table.

* Note:

IPv6 is not supported on MgmtRouter.

Non-virtualized client management applications

Ensure that you do not define a default route in the Management Router VRF. A route used for non-virtualized client management applications, such as Telnet, Secure Shell (SSH), and FTP, originating from the switch, will always match a default route defined in the Management Router VRF.

If you want out-of-band management, it is recommended that you define a specific static route in the Management Router VRF to the IP subnet where your management application resides.

When you specify a static route in the Management Router VRF, it enables the client management applications originating from the switch to perform out-of-band management without affecting in-band management. This enables in-band management applications to operate in the Global Router VRF.

Non-virtualized client management applications originating from the switch, such as Telnet, SSH, and FTP, follow the behavior listed below:

1. Look at the Management Router VRF route table.
2. If no route is found, the applications will proceed to look in the Global Router VRF table.

Non-virtualized client management applications include:

- DNS
- FTP client with the copy command
- NTP
- rlogin

- RADIUS authentication and accounting
- SSH
- SNMP clients in the form of traps
- SYSLOG
- TACACS+
- Telnet
- TFTP client

For management applications that originate outside the switch, the initial incoming packets establish a VRF context that limits the return path to the same VRF context.

Virtualized management applications

Virtualized management applications, such as ping and traceroute, operate using the specified VRF context. To operate ping or traceroute you must specify the desired VRF context. If not specified, ping defaults to the Global Router VRF. For example, if you want to ping a device through the out-of-band management port you must select the Management Router VRF. For example, if you want to ping a device through the out-of-band management port you must select the Management Router VRF.

Note:

IPv6 is not supported on MgmtRouter.

```
Switch:1(config)#ping 192.0.2.1 vrf MgmtRouter
192.0.2.1 is alive
```

Ping test for IPv6:

```
Switch:1(config)#ping 2001:db8::1 vrf vrfRED
2001:db8::1 is alive
```

Traceroute test for IPv4:

```
Switch:1#traceroute 192.0.2.1 vrf MgmtRouter
```

Traceroute test for IPv6:

```
Switch:1#traceroute 2001:db8::1 vrf vrfRED
```

VRF Lite configuration rules

You must select the VRF for global IPv4 or IPv6 options before entering commands.

Not all Global Router parameters are configurable on other VRF instances.

For instructions about how to configure a VRF instance, see the following paragraphs.

Layer 1 and Layer 2 information (including VLAN information) is global and is not maintained for each VRF instance. However, you can associate a set of VLANs with a VRF instance.

One VLAN cannot belong to more than one VRF instance at one time. When you create a VLAN, more than one physical port can belong to it. You can associate a VRF instance with more than one IPv4 or IPv6 interface (a physical Ethernet port or a VLAN).

Perform physical port assignment at the VLAN and brouter port level. A VRF instance inherits all the ports assigned to its VLANs and brouter ports. You cannot directly assign a physical port to a VRF instance, but it is implicitly assigned when you associate the VRF with VLANs or brouter ports.

For IPv4, after you configure interVRF route redistribution between two VRF instances, avoid overlapping IP addresses between these two VRF instances.

When you configure VRF Lite, remember the following rules:

- You can connect two VRFs from the same system with an external cable.
- An IPv4 or IPv6 routable VLAN can become a member of a VRF.
- An IPv4 or IPv6 interface can belong to only one VRF.
- A VRF can exist even if no interfaces are assigned to it.
- Routing policies apply to VRFs on an individual basis.
- Multiple VRFs on the same node can function in different autonomous systems.

Following rules apply to IPv4 interfaces specifically:

- If you configure an IPv4 interface without specifying the VRF instance, it is mapped to VRF 0 by default.
- VRF Lite supports SMLT and RSMLT
- VRF Lite supports RIP in and out policies
- VRF Lite supports OSPF in and out (accept and redistribute) policies
- Before you delete a VRF instance, disable OSPF. Deleting a VRF instance deletes the OSPF instance if OSPF is disabled
- When you create a VRF instance, an OSPF instance is not automatically created. To activate OSPF on a VRF instance, first create an OSPF instance, and then enable OSPF
- You can configure a VRF so it can have IP interfaces with OSPF, RIP, static routes, and policies simultaneously
- Every IPv4 interface is a member of VRF 0 unless explicitly defined to belong to another VRF.

Virtualized protocols

VRF Lite supports virtualization of the following IPv4 and IPv6 protocols and features. Use this table to find applicable VRF command and procedure information.

Table 33: Virtualized IPv4 protocols and documentation

Virtualized IPv4 protocol or feature	Where to find information
ARP	<i>Configuring IPv4 Routing</i>
BGP	<i>Configuring BGP Services</i>
Circuitless IP	<i>Configuring IPv4 Routing</i>
DHCP	<i>Configuring IPv4 Routing</i>
IGMP	<i>Configuring IP Multicast Routing Protocols</i>
OSPF	<i>Configuring OSPF and RIP</i>
RIP	<i>Configuring OSPF and RIP</i>
Route policies	<i>Configuring IPv4 Routing</i>
Route preferences	<i>Configuring IPv4 Routing</i>
Router Discovery	<i>Configuring IPv4 Routing</i>
Static routes	<i>Configuring IPv4 Routing</i>
User Datagram Protocol (UDP)	<i>Configuring IPv4 Routing</i>
VLAN	<i>Configuring VLANs, Spanning Tree, and NLB.</i>
VRRP	<i>Configuring IPv4 Routing</i>

Table 34: Virtualized IPv6 protocols and documentation

Virtualized IPv6 protocol or feature	Where to find information
IPv6 Interfaces and IPv6 Static Routes	<i>Configuring IPv6 Routing</i>
ECMP and Alternative Route	<i>Configuring IPv6 Routing</i>
Route redistribution for static and direct routes	<i>Configuring IPv6 Routing</i>
VRRPv3	<i>Configuring IPv6 Routing</i>
DHCP Relay	<i>Configuring IPv6 Routing</i>
IPv6 Reverse Path Forwarding	<i>Configuring IPv6 Routing</i>
ICMP Ping & Traceroute	<i>Configuring IPv6 Routing</i>

Chapter 19: VRF Lite configuration using the CLI

Use Virtual Router and Forwarding (VRF) Lite to provide many virtual routers using one switch.

This section shows you how to configure a VRF instance and how to associate ports and VLANs with VRF instances.

The following task flow shows you the sequence of procedures you perform to configure VRF Lite.

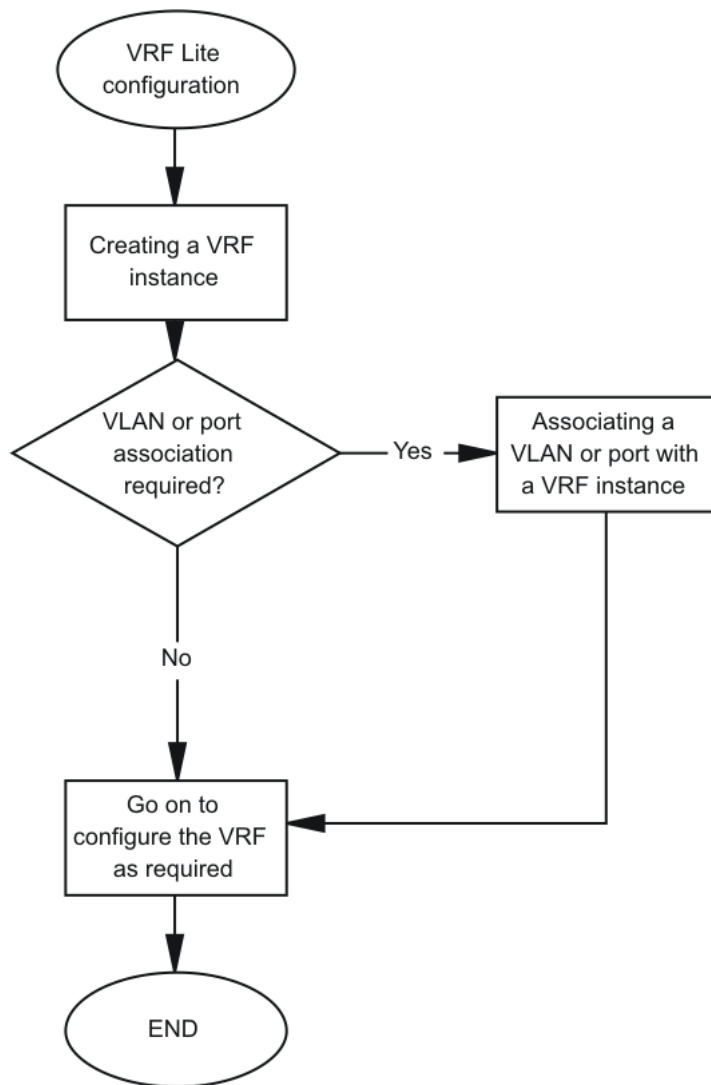


Figure 25: VRF Lite configuration procedures

Creating a VRF instance

About this task

Create a VRF instance to provide a virtual routing interface for a user.

For more information on route scaling, see *Release Notes*.

*** Note:**

Different hardware platforms support different parameter ranges. Use the CLI Help to see the available range.

Procedure

1. Enter Global Configuration mode:

```
enable
configure terminal
```

2. Create a VRF instance and specify a VRF name:

```
ip vrf WORD<1-16>
```

3. Configure the maximum number of routes:

- For IPv4:

```
ip vrf WORD<1-16> max-routes <0-15744 | 0-15488 | 0-256000>
```

- For IPv6:

```
ip vrf WORD<1-16> ipv6-max-routes <0-7744 | 0-7872>
```

4. Enable max-routes traps:

- For IPv4:

```
ip vrf WORD<1-16> max-routes-trap enable
```

- For IPv6:

```
ip vrf WORD<1-16> ipv6-max-routes-trap enable
```

*** Note:**

The maximum number of IPv6 routes for the Global Router are fixed and cannot be changed.

5. Enter VRF Router Configuration mode:

```
router vrf WORD<1-16>
```

6. Configure the IPv4 routing protocol triggers for the VRF:

Use one of the following commands on your switch:

- ip bgp
- ip ospf
- ip rip

*** Note:**

You cannot configure BGP, OSPF, or RIP on a VRF instance unless you first configure the routing protocol trigger.

7. Ensure that the instance is configured correctly:

```
show ip vrf WORD<1-16>
```

Example

Create a VRF instance:

```
Switch:1>enable
Switch:1#configure terminal
Switch:1(config)#ip vrf vrfRED
```

Configure the maximum number of IPv4 routes and enable max-routes traps.

```
Switch:1(config)#ip vrf vrfRED max-routes 12000
Switch:1(config)#ip vrf vrfRED max-routes-trap enable
```

Enter Router Configuration mode and configure the routing protocol triggers for the VRF:

```
Switch:1(config)#router vrf vrfRED
Switch:1(router-vrf)#ip bgp
Switch:1(router-vrf)#ip ospf
Switch:1(router-vrf)#ip rip
```

Exit to Global configuration mode:

```
Switch:1(router-vrf)#exit
```

Configure the maximum number of IPv6 routes and enable IPv6 max-routes traps.

```
Switch:1(config)#ip vrf vrfRED ipv6-max-routes 7700
Switch:1(config)#ip vrf vrfRED ipv6-max-routes-trap enable
```

Ensure that the instance is configured correctly:

```
Switch:1#show ip vrf vrfRED
```

```
=====
                                VRF INFORMATION
=====
VRF      OSPF      RIP      BGP      PIM      ARP      PIM6
COUNT  COUNT    COUNT    COUNT    COUNT    COUNT    COUNT
-----
1         1         1         1         1         7         1

VRF      VRF      VLAN      ARP      PIM6
NAME     ID  OSPF  RIP  BGP  PIM  COUNT  COUNT  COUNT
-----
vrfRED   3   TRUE  TRUE TRUE  TRUE  0      7      TRUE

1 out of 1 Total Num of VRF Entries displayed.
```

Variable definitions

Use the data in the following table to use the `ip vrf` command.

*** Note:**

Different hardware platforms support different parameter ranges. Use the CLI Help to see the available range.

Table 35: Variable definitions

Variable	Value
Depending on your hardware platform: max-routes <0-15488 0-15744 0-252000>	Configures the maximum number of IPv4 routes allowed for the VRF, which is 15488, 15744, or 252000, depending on your hardware platform. The default value is 10000, except for the GlobalRouter, which is 15488, 15744, or 252000, depending on your hardware platform.
ipv6-max-routes <0-7744 0-7872>	Configures the maximum number of IPv6 routes allowed for the VRF, which is 7744 or 7872, depending on your hardware platform. The default value is 5000.
max-routes-trap enable	Enables SNMP traps after the maximum number of IPv4 routes are reached.
ipv6-max-routes-trap enable	Enables SNMP trap generation based on the configured number of maximum IPv6 routes. The default is enabled.
name WORD<0-16>	Renames the VRF instance.
vrf-trap	Enables the device to send VRF-related traps.

Use the data in the following table to use the `show ip vrf` command.

Table 36: Variable definitions

Variable	Value
max-routes [vrfids WORD<0-512>] [WORD <1-16>]	Displays the maximum number of routes for the specified VRFs. <ul style="list-style-type: none"> vrfids WORD<0-512> specifies a list of VRFs by VRF IDs. WORD<1-16> specifies a VRF by name.
vrfids WORD<0-512>	Specifies a list of VRFs by VRF IDs.
WORD<1-16>	Specifies a VRF by name.

Associating a VLAN or port with a VRF instance

You can assign a VRF instance to a port or VLAN. You cannot associate a VLAN or port and a VRF instance if the VLAN or port has an IP address. You can configure the IP address after you associate the port and VRF instance.

Before you begin

- Ensure the VRF is already configured.

Procedure

1. Enter Interface Configuration mode:

```
enable
```

```
configure terminal

interface GigabitEthernet {slot/port[/sub-port] [-slot/port[/sub-
port]] [, ...]} or interface vlan <1-4059>
```

*** Note:**

If your platform supports channelization and the port is channelized, you must also specify the sub-port in the format slot/port/sub-port.

2. Associate the port or VLAN with a VRF instance:

```
vrf WORD<1-16>
```

Example

```
Switch:1> enable
Switch:1# configure terminal
```

Create a VRF named Two:

```
Switch:1(config-if)# ip vrf Two
```

Create a VLAN of type byport:

```
Switch:1(config-if)# vlan create 33 name vlan-30 type port-mstprstp 0
```

Enter VLAN Interface Configuration mode:

```
Switch:1(config-if)# interface vlan 33
```

Assign the VLAN to VRF Two:

```
Switch:1(config-if)# vrf Two
```

Give the VLAN an IP address:

```
Switch:1(config-if)# ip address 192.0.2.1 255.255.255.0
```

Enter VRF configuration mode:

```
Switch:1(config-if)# router vrf Two
```

Variable definitions

Use the data in the following table to use the `vrf` command.

Table 37: Variable definitions

Variable	Value
vrf WORD<0-16>	Specifies the VRF instance by name.

Creating an IP VPN instance on a VRF

Create an IP VPN instance to advertise IP routes from one VRF to another across a Shortest Path Bridging MAC (SPBM) network.

For more information about Layer 3 Virtual Services Networks (VSN) and SPBM, see *Configuring Fabric Basics and Layer 2 Services*.

Before you begin

- The VRF must exist.

Procedure

1. Enter VRF Router Configuration mode for a specific VRF context:

```
enable
configure terminal
router vrf WORD<1-16>
```

2. Create an IP VPN instance on the VRF:

```
ipvpn
```

3. Assign a service instance identifier (I-SID) to the IP VPN:

```
i-sid <0-16777215>
```

4. Enable IP VPN on the VRF:

```
ipvpn enable
```

By default, a new IP VPN instance is disabled.

5. Display all IP VPNs:

```
show ip ipvpn [vrf WORD<1-16>] [vrfids WORD<0-512>]
```

Example

From Global Configuration mode, log on to Router VRF Configuration mode:

```
Switch:1(config)# router vrf red
```

Create the IP VPN instance:

```
Switch:1(router-vrf)# ipvpn
```

Enable IP VPN:

```
Switch:1(router-vrf)# i-sid 100
```

Enable IP VPN:

```
Switch:1(router-vrf)# ipvpn enable
Switch:1(router-vrf)#show ip ipvpn
      VRF Name           : red
      Ipvpn-state        : enabled
      I-sid               : 100
```

```
1 out of 2 Total Num of VRF Entries displayed.
```

Variable definitions

Use the data in the following table to use the `show ip ipvpn` command.

Variable	Value
vrf WORD<1–16>	Specifies the VRF name.
vrfids WORD<0–512>	Specifies the VRF ID.

Use the data in the following table to use the `i-sid` command.

Variable	Value
i-sid <0–16777215>	Assigns an I-SID to the VRF to configure. Use the <code>no</code> or <code>default</code> option to remove the I-SID to VRF allocation for this VRF.

Configuring the maximum number of VRFs

* Note:

VSP 8600 automatically supports the maximum number of VRFs without additional VLAN reservation.

Perform this procedure to change the maximum number of VRFs and Layer 3 VSNs that the switch supports. By default, the switch supports 24 VRFs and Layer 3 VSNs. Increasing the number of VRFs or Layer 3 VSNs can be useful in a WAN scenario or other large network.

The maximum number of supported VRFs and Layer 3 VSNs differs depending on the hardware platform. For more information about maximum scaling numbers, see *Release Notes*.

About this task

! Important:

If you enable this boot config flag, and the switch operates in SPBM mode (default configuration), the switch reduces the number of configurable VLANs. In such a configuration, the switch reserves VLANs 3500 to 3998 for internal use. You cannot use these VLANs as either platform VLANs or B-VLANs. You can still use the reserved VLAN range for customer VLANs (C-VLAN) on Flex UNI and B-VLANs on FE-VID.

Enabling the boot config flag to use more than 24 VRFs requires a Premier or Premier + MACsec license.

Before you begin

- If the switch operates in SPBM mode, before you enable the boot config flag, perform the following actions:
 - Check in-VLAN filters. If a filter references a VLAN in the 3500 to 3998 range, you must delete the filter or the filter configuration fails when you restart the switch.

- Delete VLANs in the 3500 to 3998 range.
- Before you disable the boot config flag, delete additional VRFs if more than 24 exist.

Procedure

1. Enter Global Configuration mode:


```
enable
configure terminal
```
2. Increase the maximum number of VRFs and Layer 3 VSNs:


```
boot config flag vrf-scaling
```

OR
3. Return to the default of 24 VRFs and Layer 3 VSNs:


```
no boot config flag vrf-scaling
```

or

```
default boot config flag vrf-scaling
```
4. Verify the configuration:


```
show boot config flags
```
5. Save the configuration:


```
save config
```
6. Restart the switch for the change to take effect:


```
reset
```

Example

Enable the boot config flag to increase the maximum number of VRFs and Layer 3 VSNs. In the following example, the switch operates in SPBM mode and reserves the VLAN ID range of 3500 to 3999. If the switch does not operate in SPBM mode, the VLAN warning message does not appear when you enable VRF scaling.

```
Switch:1>en
Switch:1#configure terminal
Enter configuration commands, one per line.  End with CNTL/Z.
Switch:1(config)#boot config flag vrf-scaling
Warning: Vlan 3500 to 3999 will be reserved for internal use.

Warning: Please save the configuration and reboot the switch
         for this configuration to take effect.
```

```
Switch:1>enable
Switch:1#show boot config flags
flags block-snmp false
flags debug-config file
flags debugmode false
flags dvr-leaf-mode false
flags enhancedsecure-mode false
flags factorydefaults false
flags flow-control-mode false
flags ftpd true
```

VRF Lite configuration using the CLI

```
flags ha-cpu true
flags hsecure false
flags linerate-directed-broadcast false
flags ipv6-egress-filter false
flags ipv6-mode false
flags logging true
flags nni-mstp false
flags reboot true
flags rlogind false
flags savetostandby true
flags spanning-tree-mode mstp
flags spbm-config-mode false
flags sshd true
flags syslog-rfc5424-format true
flags telnetd true
flags tftpd true
flags trace-logging false
flags urpf-mode false
flags verify-config true
flags vrf-scaling false
flags vxlan-gw-full-interworking-mode false
```

* Note:

The following **boot config flags** are not supported on all hardware models:

- dvr-leaf-mode flag
- flow-control-mode flag
- ha-cpu flag
- ipv6-mode flag
- nni-mstp flag
- savetostandby flag
- vrf-scaling flag
- vxlan-gw-full-interworking-mode flag

The following example shows the message that appears if you try to enable the boot config flag and configured VLANs use IDs between 3500 and 3999.

```
Switch:1>en
Switch:1#configure terminal
Enter configuration commands, one per line. End with CNTL/Z.
Switch:1(config)#boot config flag vrf-scaling
```

```
Error: Delete all configured platform vlans between 3500 and 3999 to enable vrf-scaling.
```

Chapter 20: VRF Lite configuration using Enterprise Device Manager

Use VRF Lite to provide many virtual routers using a single switch.

Configuring a VRF instance

About this task

Configure a VRF instance to provide a virtual routing interface for a user.

Procedure

1. In the navigation tree, expand the following folders: **Configuration > VRF**.
2. Click **VRF**.
3. Click the **VRF** tab.
4. Click **Insert**.
5. Specify the VRF ID.
6. Name the VRF instance.
7. Configure VRF Lite-related traps.
8. Configure the other parameters as required.
9. Click **Insert**.

VRF field descriptions

Use the data in the following table to help you use the VRF tab.

Name	Description
Id	Specifies the ID number of the VRF instance. VRF ID 0 is reserved for the GlobalRouter.
Name	Names the VRF instance.

Table continues...

Name	Description
ContextName	Identifies the VRF. The SNMPv2 Community String or SNMPv3 contextName denotes the VRF context and is used to logically separate the MIB port management.
TrapEnable	Enables the VRF to send VRF Lite-related traps (VrfUp and VrfDown). The default is enabled.
MaxRoutes	Configures the maximum number of routes allowed for the VRF, which is 15488 or 15744, depending on your hardware platform. The default value is 10000, except for the GlobalRouter, which is 15488 or 15744, depending on your hardware platform.
RpTrigger	Specifies the Routing Protocol (RP) triggers for the VRF. The triggers are used to initiate or shutdown routing protocols on a VRF. You can act upon multiple RPs simultaneously. You can also use this option to bring individual RPs up in steps.
MaxRoutesTrapEnable	Enables the generation of the VRF Max Routes Exceeded traps. The default is enabled.
Ipv6MaxRoutes	Configures the maximum number of IPv6 routes allowed for the VRF, which is 7744 or 7872, depending on your hardware platform. The default value is 5000.
Ipv6MaxRoutesTrapEnable	Enables SNMP trap generation after the maximum number of IPv6 routes are reached. The default is enabled.

Associating a port to a VRF instance

About this task

Associate a port to a Virtual Router Forwarding (VRF) instance so that the port becomes a member of the VRF instance.

You can assign a VRF instance to a port after you configure the VRF. The system assigns ports to the GlobalRouter, VRF 0, by default.

Procedure

1. In the **Device Physical** View tab, select a port.
2. In the navigation pane, expand the **Configuration > Edit > Port** folders.
3. Click **General**.
4. Click the **VRF** tab.
5. To the right of the **BrouterVrflid** box, click the ellipsis (...) button.
6. In the BrouterVrflid dialog box, select the required VRF.

7. Click **OK**.
8. Click **Apply**.

VRF field descriptions

Use the data in the following table to use the VRF tab.

Name	Description
VrfIds	Shows the VRF ID.
VrfNames	Shows the VRF name.
VrfCount	Shows the number of VRFs to which the port is associated.
BrouterVrfId	Specifies the VRF ID for a brouter port.
BrouterVrfName	Shows the VRF name for a brouter port.

Configuring interVRF route redistribution policies

Before you begin

- Ensure VRF instances exist.
- Configure route policies, if required.
- Change the VRF instance as required.

About this task

Configure inter-VRF route redistribution so that a VRF interface can announce routes that other protocols learn, for example, OSPF or BGP. Use a route policy to control the redistribution of routes.

Procedure

1. In the navigation tree, expand the following folders: **Configuration > IP**.
2. Click **Policy**.
3. Click the **Route Redistribution** tab.
4. Click **Insert**.
5. Choose the source and destination VRF IDs.
6. Choose the protocol and route source.
7. Select **Enable**.
8. Choose the route policy to apply to the redistributed routes.
9. Configure other parameters as required.

10. Click **Insert**.
11. Click the **Applying Policy** tab.
12. Select **RedistributeApply**, and then click **Apply**.

Route Redistribution field descriptions

Use the data in the following table to use the **Route Redistribution** tab.

Name	Description
DstVrflid	Specifies the destination VRF ID to use in the redistribution.
Protocol	Specifies the protocols for which you want to receive external routing information.
SrcVrflid	Specifies the source VRF ID to use in the redistribution.
RouteSource	Indicates if the protocol receives notification about the routes this source learns. The route source is equivalent to the owner in the routing table.
Enable	Enables or disables route redistribution. The default is disabled.
RoutePolicy	Specifies the route policies to apply to the redistributed routes from the source VRF. Use the route policy to determine whether the system advertises a specific route to the specified protocol.
Metric	Specifies the metric announced in advertisements. The default is 0.
MetricType	Specifies the metric type (applies to OSPF and BGP only). Specifies a type 1 or a type 2 metric. For metric type 1, the cost of the external routes is equal to the sum of all internal costs and the external cost. For metric type 2, the cost of the external routes is equal to the external cost alone. The default is type2.
Subnets	Indicates that all the subnets must be advertised individually. The values are allow(1), and suppress(2). The default value is allow. This variable applies to OSPF only.

Viewing brouter port and VRF associations

About this task

You can view each port and associated VRFs. You can also change the VRFs associated with the port if the port has no IP address.

Procedure

1. In the navigation tree, expand the following folders: **Configuration > IP**.
2. Click **VRF**.
3. Click the **VRF-Ports** tab.

4. To display the VRF names associated with a port , click a cell in one of the table rows and, on the toolbar, click the **ShowVRFNames** button.
5. To change the VRF, double-click the **BrouterVrflid** field for the port.

+ Tip:

You can associate a port with more than one VRF.

6. Choose the required VRFs, and then click **Ok**.
7. Click **Apply**.

VRF-Ports field descriptions

Use the data in the following table to use the **VRF-Ports** tab.

Name	Description
Index	Specifies the slot and port.
Type	Specifies the port type.
Vrflids	Identifies the set of VRF IDs to which this port belongs.
VrfCount	Shows the number of VRF instances associated with this port.
BrouterVrflid	Shows the VRF ID for this brouter port.
BrouterVrfName	Shows the VRF name for this brouter port.
Show VrfNames	You can use this toolbar button to identify the set of VRF names to which a port belongs.

Use the data in the following table to use the **Show VrfNames** button.

Name	Description
Index	Specifies the slot and port.
VrfNames	Shows the VRF name for this brouter port.

Viewing global VRF status information

About this task

View global VRF status information to determine the number of VRFs that are configured and active.

Procedure

1. In the navigation tree, expand the following folders: **Configuration > IP**.
2. Click **VRF**.
3. Click the **Global Status** tab.

Global Status field descriptions

Use the data in the following table to use the **Global Status** tab.

Name	Description
ConfigNextAvailableVrflid	Specifies the number of the next available Virtual Router ID (index).
ConfiguredVRFs	Specifies the number of VRFs configured on this network element.
ActiveVRFs	Specifies the number of VRFs that are active on the network element. These are VRFs for which the OperStatus is up.

Viewing VRF instance statistics and status information

About this task

View VRF instance status information to determine the operational status of each VRF, as well as other operational parameters.

Procedure

1. In the navigation tree, expand the following folders: **Configuration > IP** .
2. Click **VRF**.
3. Click the **VRF Stats** tab.

VRF Stats field descriptions

Use the data in the following table to use the **VRF Stats** tab.

Name	Description
Id	Specifies the ID number of the VRF instance.
StatRouteEntries	Specifies the total number of routes for this VRF.
StatFIBEntries	Specifies the total number of Forwarding Information Base (FIB) entries for this VRF.
StatUpTime	Specifies the time in (in hundredths of a second) since this VRF entry has been operational.
OperStatus	Shows the operational status of the Virtual Router.
RouterAddressType	Specifies the router address type of this VRF.
Router Address	Specifies the router address of this VRF, derived from one of the interfaces. If a loopback interface is present, you can use the loopback interface address.

Viewing VRF statistics for a VRF

About this task

View VRF statistics to ensure the instance is performing as expected.

Procedure

1. In the navigation tree, expand the following folders: **Configuration > IP**.
2. Click **VRF**.
3. Click the **VRF** tab.
4. Select a VRF.
5. Click the **VRF Stats** button.

Selecting and launching a VRF context view

About this task

Use this procedure to switch to another VRF context view when you use the embedded EDM. GlobalRouter is the default view at log in. You can configure both Global Router (GRT) and Virtual Routing and Forwarding (VRF) instances when you launch a VRF context view. You can open only five tabs for each EDM session.

Important:

If you log out from the GRT view, the system generates a warning: all tabs close and your session terminates. If you close a VRF view tab, you close only that view.

Note:

The Set VRF Context view function is not available to users in a service provider deployment where only a tenant VRF view is assigned. If you use a tenant VRF view, it is recommended to use the applicable EDM plugin with COM to access EDM. COM provides VRF mapping and Role-Based Access Control.

Procedure

1. In the navigation pane, expand the following folders: **Configuration > VRF Context View**.
2. Click **Set VRF Context View**.
3. Click the **VRF** tab.
4. Select a context to view.
5. Click **Launch VRF Context view**.

A new browser tab opens containing the selected VRF view

VRF field descriptions

Use the descriptions in the following table to use the **VRF** tab.

Name	Description
Id	Shows the unique VRF ID.
Name	Shows the name of the virtual router.
ContextName	Shows the SNMPv3 context name that denotes the VRF context and logically separates the MIB port management.

Creating an IP VPN instance on a VRF

Create an IP VPN instance to advertise IP routes from one VRF to another across a Shortest Path Bridging MAC (SPBM) network.

For more information about Layer 3 Virtual Services Networks (VSNs) and SPBM, see *Configuring Fabric Basics and Layer 2 Services*.

Before you begin

- You must configure the required SPBM IS-IS infrastructure.
- The VRF must exist.

Procedure

1. In the navigation tree, expand the following folders: **Configuration > IP**.
2. Click **IP-VPN**.
3. Click the **VPN** tab.
4. Click **Insert**.
5. Click the ellipsis button [...], and then select a VRF from the list.
6. Click **OK**.
7. Click **Insert**.

By default, the new IP VPN instance is disabled.

8. In the **IsidNumber** column, double-click the **0** value, and then enter the service instance identifier (I-SID) to assign to the IP-VPN.
9. In the **Enable** column, double-click the **disable** value.
10. Click the arrow to view a list of choices, and then choose **enable**.
11. Click **Apply**.

VPN field descriptions

Use the data in the following table to use the **VPN** tab.

Name	Description
Vrflid	Specifies the ID of the VRF to configure.
Enable	Enables or disables the IP VPN instance on the VRF. The default is disabled.
IsidNumber	Specifies the I-SID to associate with the VPN. By default, no I-SID is assigned.

Configuring the maximum number of VRFs

Perform this procedure to change the maximum number of VRFs and Layer 3 VSNs that the switch supports. By default, the switch supports 24 VRFs and Layer 3 VSNs. Increasing the number of VRFs or Layer 3 VSNs can be useful in a WAN scenario or other large network.

The maximum number of supported VRFs and Layer 3 VSNs differs depending on the hardware platform. For more information about maximum scaling numbers, see *Release Notes*.

* Note:

VSP 8600 automatically supports the maximum number of VRFs without additional VLAN reservation.

About this task

! Important:

If you enable this boot config flag, and the switch operates in SPBM mode (default configuration), the switch reduces the number of configurable VLANs. In such a configuration, the switch reserves VLANs 3500 to 3998 for internal use. You cannot use these VLANs as either platform VLANs or B-VLANs. You can still use the reserved VLAN range for customer VLANs (C-VLAN) on Flex UNI and B-VLANs on FE-VID.

Enabling the boot config flag to use more than 24 VRFs requires a Premier or Premier + MACsec license.

Before you begin

- If the switch operates in SPBM mode, before you enable this boot config flag, perform the following actions:
 - Check in-VLAN filters. If a filter references a VLAN in the 3500 to 3998 range, you must delete the filter or the filter configuration fails when you restart the switch.
 - Delete VLANs in the 3500 to 3998 range.
- Before you disable this boot config flag, delete additional VRFs if more than 24 exist.

Procedure

1. In the navigation pane, expand the **Configuration > Edit** folders.
2. Click **Chassis**.
3. Click the **Boot Config** tab.
4. Perform one of the following actions:
 - a. To enable VRF scaling, select the **EnablevrfScaling** check box.
 - b. To disable VRF scaling, clear the **EnablevrfScaling** check box.

 **Note:**

This field does not apply to all hardware platforms.

5. Click **Apply**.
6. Restart the switch for the change to take effect.

Chapter 21: CLI show command reference

The following sections describe show commands to view the operational status of IPv4 routing on the switch.

DvR show commands

The following section explains the show commands for DvR.

Viewing DvR summary

Use this procedure to view a summary of the DvR configuration on a DvR Controller or a DvR Leaf.

Procedure

1. Enter Privileged EXEC mode:
`enable`
2. View a summary of DvR configuration. Enter:
`show dvr`

Example

View the information on a DvR Controller:

```
Switch:1#show dvr
=====
                        DVR Summary Info
=====
Domain ID                : 5
Domain ISID              : 16678219
Backbone ISID           : 16678216
Role                    : Controller
My SYS ID               : 00:bb:00:00:81:21
Operational State       : Up
GW MAC                  : 00:00:5e:00:01:25
InjectDefaultRouteDisable (GRT) : Enabled
```

View the information on a DvR Leaf:

```
Switch2:1#show dvr
```

```

=====
                        DVR Summary Info
=====
Domain ID                : 5
Domain ISID              : 16678219
Role                    : Leaf
My SYS ID               : 00:bb:00:00:71:23
Operational State       : Up
GW MAC                  : 00:00:5e:00:01:25
Inband Mgmt IP          : 72.54.44.1
Virtual Ist local address : 51.51.51.1
Virtual Ist local subnet mask : 255.255.255.0
Virtual Ist peer address : 51.51.51.2
Virtual Ist cluster-id   : 255
Virtual Ist ISID        : 16677226
=====

```

Job aid

Use the data in the following table to use the `show dvr` command output.

On a Controller:

Field	Descriptions
Domain ID	Specifies the domain ID of the DvR domain to which the Controller belongs.
Domain I-SID	Specifies the DvR domain I-SID. The range is 16678217 to 16678727.
Backbone I-SID	Specifies the backbone I-SID. The value is 16678216.
Role	Specifies the role of the node in the DvR domain, namely Controller.
My SYS ID	Specifies the MAC address of the Controller.
Operational State	Specifies the operational state of the Controller.
GW MAC	Specifies the gateway MAC address.
InjectDefaultRouteDisable	Specifies whether injection of default routes is disabled on the Controller. The default is disabled.

On a Leaf node:

Field	Descriptions
Domain ID	Specifies the domain ID of the DvR domain to which the Leaf node belongs.
Domain I-SID	Specifies the DvR domain I-SID. The range is 16678217 to 16678727.
Role	Specifies the role of the node in the DvR domain, namely Leaf.
My SYS ID	Specifies the MAC address of the Leaf node.

Table continues...

Field	Descriptions
Operational State	Specifies the operational state of the Leaf node.
GW MAC	Specifies the gateway MAC address.
Inband Mgmt IP	Specifies the in-band management IP address.
Virtual Ist local address	Specifies the local IP address of the node, if vIST is configured.
Virtual Ist local subnet mask	Specifies the subnet mask of the local IP address of the node, if vIST is configured.
Virtual Ist peer address	Specifies the IP address of the peer node, in the vIST pair.
Virtual Ist cluster-id	Specifies the cluster ID if vIST is configured.
Virtual Ist ISID	Specifies the I-SID if vIST is configured.

Viewing members of a DvR domain

About this task

View the members of all DvR domains, namely the Controllers and Leaf nodes.

You can view this information on either a Controller or a Leaf node. Both the Controller and the Leaf node displays those members of the DvR domain to which it belongs.

Before you begin

Ensure that you enable DvR globally on the node.

Procedure

1. Enter Privileged EXEC mode:
enable
2. show dvr members [controller|leaf]

Example

View all members of a DvR domain:

```
Switch:1#show dvr members
=====
DVR Members (Domain ID: 255)
=====
System Name           Nick-Name           Nodal MAC           Role
-----
Leaf-4:110            0.41.10            00:bb:00:00:41:10   Leaf
Leaf-1:Q:123         0.71.23            00:bb:00:00:71:23   Leaf
Leaf-2:K:124         0.71.24            00:bb:00:00:71:24   Leaf
Leaf-3:K:125         0.71.25            00:bb:00:00:71:25   Leaf
Ctrl-1:Q:121         0.81.21            00:bb:00:00:81:21   Controller
Ctrl-2:Q:122         0.81.22            00:bb:00:00:81:22   Controller

6 out of 6 Total Num of DVR Members displayed
=====
```

View member DvR Controllers:

```
Switch:1#show dvr members controller
=====
DVR Members (Domain ID: 255)
=====
System Name          Nick-Name          Nodal MAC          Role
-----
Ctrl-1:Q:121         0.81.21           00:bb:00:00:81:21  Controller
Ctrl-2:Q:122         0.81.22           00:bb:00:00:81:22  Controller

2 out of 6 Total Num of DVR Members displayed
=====
```

View member DvR Leaf nodes:

```
Switch:1#show dvr members leaf
=====
DVR Members (Domain ID: 255)
=====
System Name          Nick-Name          Nodal MAC          Role
-----
Leaf-4:110           0.41.10           00:bb:00:00:41:10  Leaf
Leaf-1:Q:123         0.71.23           00:bb:00:00:71:23  Leaf
Leaf-2:K:124         0.71.24           00:bb:00:00:71:24  Leaf
Leaf-3:K:125         0.71.25           00:bb:00:00:71:25  Leaf

4 out of 6 Total Num of DVR Members displayed
=====
```

Job aid

Use the data in the following table to use the `show dvr members` command output.

Field	Descriptions
System Name	Specifies the system name of the DvR member (Controller or Leaf node).
Nick-Name	Specifies the nick name of the DvR member.
Nodal MAC	Specifies the nodal MAC address of the DvR member.
Role	Specifies the role of the DvR member within the DvR domain, that is Controller or Leaf.

Viewing DvR interfaces

View the DvR interfaces on either a Controller or a Leaf node.

On Controllers, DvR interfaces are created when you configure IP on a DvR enabled Layer 2 VSN (VLAN, I-SID). Only Controllers display the administrative state of the interfaces because this is where you enable or disable the interfaces. The Leaf nodes display DvR interface information that is pushed from the Controllers, for example, subnet routes or gateway IP addresses for the Layer 2 VSNs.

Before you begin

Ensure that you enable DvR globally on the node.

Procedure

1. Enter Privileged EXEC mode:

```
enable
```

2. View the DvR interface information.

On a Controller:

```
show dvr interfaces [l3isid <0-16777215>] [vrf WORD<1-16>] [vrfids WORD<0-512>]
```

On a Leaf node:

```
show dvr interfaces [l3isid <0-16777215>]
```

Viewing the DvR interface information for a specific VRF or VRF ID is not supported on a DvR Leaf node.

Example

View DvR interfaces on a Controller node:

You can view DvR interface information on all interfaces or for a specific Layer 3 I-SID, VRF, or VRF ID.

```
Switch:1#show dvr interfaces
```

```
=====
DVR Interfaces
=====
Interface      Mask          L3ISID  VRFID   L2ISID   VLAN   GW IPv4   Admin  SPBMC  IGMP
State          State         Version
-----
50.0.1.2       255.255.0.0  55500   1       50500    500    50.0.1.1  enable  disable 2
1 out of 1 Total Num of DVR Interfaces displayed
=====
```

View DvR interfaces on a Leaf node:

You can view DvR interface information on all interfaces or for a specific Layer 3 I-SID. Viewing the interface information for a specific VRF or VRF ID is not supported on a DvR Leaf node.

```
Switch:1#show dvr interfaces l3isid 401
```

```
=====
DVR Interfaces
=====
Interface      Mask          L3ISID  VRFID   L2ISID   VLAN   GW IPv4
-----
40.1.0.0       255.255.0.0  401     2       10401    77     40.1.1.11
40.2.0.0       255.255.0.0  401     2       10402    78     40.2.1.11
40.3.0.0       255.255.0.0  401     2       10403    79     40.3.1.11
40.4.0.0       255.255.0.0  401     2       10404    80     40.4.1.11
4 out of 4 Total Num of DVR Interfaces displayed
=====
```


Variable definitions

Use the data in the following table to use the `show dvr interfaces` command.

Variable	Value
<i>l3isid</i>	Specifies the Layer 3 I-SID of the DvR interface. The range is 0 to 16777215.
<i>vrf</i>	Specifies the VRF name.
<i>vrfids</i>	Specifies the VRF ID. The range is 0 to 512.

Job aid

Use the data in the following table to use the `show dvr interfaces` command output.

Field	Descriptions
Interface	Specifies the VLAN IP address (IPv4) of the DvR interface.
Mask	Specifies the subnet mask of the VLAN IP address.
L3ISID	Specifies the Layer 3 I-SID of the DvR interface. The range is 0 to 16777215.
VRFID	Specifies the VRF ID of the DvR interface
L2ISID	Specifies the Layer 2 I-SID of the DvR interface. The range is 1 to 16777215.
VLAN	Specifies the VLAN ID of the DvR interface.
GW IPv4	Specifies the DvR gateway IP address (IPv4).
Admin State	Specifies the administrative state of the DvR interface.  Note: This field displays only on a Controller node.
SPBMC State	Specifies the SBPMC state of the DvR interface.
IGMP version	Specifies the version of IGMP running on the DvR interface.

Viewing DvR host entries

About this task

View DvR host entries (IPv4 remote host routes) on either a Controller or a Leaf node. The node displays the host entries learned either locally on its Switched UNI port or dynamically from other nodes within the DvR domain.

Before you begin

Ensure that you enable DvR globally on the node.

Procedure

1. Enter Privileged EXEC mode:

```
enable
```

2. View the DvR host entries.

On a Controller:

```
show dvr host-entries [domain-id <1-255>][ipv4 {A.B.C.D}][l2isid
<1-16777215>][l3isid <0-16777215>][nh-as-mac][type <1-2>][vrf
WORD<1-16>] [vrfrids WORD<0-512>]
```

On a Leaf node:

```
show dvr host-entries [domain-id <1-255>][ipv4 {A.B.C.D}][l2isid
<1-16777215>][l3isid <0-16777215>][nh-as-mac][type <1-2>]
```

Viewing the DvR host entries for a specific VRF or VRF ID is not supported on a DvR Leaf node.

Example

View DvR host entries on either a Controller or a Leaf node.

Viewing the DvR host entries for a specific VRF or VRF ID is not supported on a DvR Leaf node.

```
Switch:1#show dvr host-entries domain-id 255 l3isid 55500
```

```
=====
DVR Host-Entries
=====
IP-ADDRESS      HOST          L3VSN      L2VSN      VRFID      PORT      DOMAIN
MAC-ADDRESS     ISID         ISID                                     ID          TYPE      NEXT HOP
-----
50.0.1.2        b0:ad:aa:42:ed:04  55500      50500      0           2/23      255      DYNAMIC    Cont-1:121
50.0.1.3        b0:ad:aa:4c:3d:01  55500      50500      0           cpp        255      LOCAL      Cont-2:122

2 out of 2 Total Num of DVR Host Entries displayed
=====
```

View DvR host entries for a specific IP address.

In this example, you enter IP address 50.0.1.0 to display host entries for IP addresses 50.0.1.2 and 50.0.1.3.

```
Switch:1#show dvr host-entries ipv4 50.0.1.0
```

```
=====
DVR Host-Entries
=====
IP-ADDRESS      HOST          L3VSN      L2VSN      VRFID      PORT      DOMAIN
MAC-ADDRESS     ISID         ISID                                     ID          TYPE      NEXT HOP
-----
50.0.1.2        b0:ad:aa:42:ed:04  55500      50500      0           2/23      2         DYNAMIC    Cont-1:121
50.0.1.3        b0:ad:aa:4c:3d:01  55500      50005      0           cpp        2         LOCAL      Cont-2:122

2 out of 2 Total Num of DVR Host Entries displayed
=====
```

View DvR host entries where the next hop displays the MAC address instead of the system name.

```
Switch:1#show dvr host-entries nh-as-mac
```

```
=====
DVR Host-Entries
=====
IP-ADDRESS      HOST          L3VSN      L2VSN      VRFID      PORT      DOMAIN
MAC-ADDRESS     ISID         ISID                                     ID          TYPE      NEXT HOP
-----
50.0.1.2        b0:ad:aa:42:ed:04  55500      50500      0           2/23      2         DYNAMIC    00:bb:00:00:01:01
50.0.1.3        b0:ad:aa:4c:3d:01  55500      50500      0           cpp        2         LOCAL      00:bb:00:00:01:02

2 out of 2 Total Num of DVR Host Entries displayed
=====
```

View DvR host entries based on the host type. Type 1 indicates local hosts and type 2 dynamic hosts.

```
Switch:1#show dvr host-entries type 2
=====
DVR Host-Entries
=====
IP-ADDRESS      HOST      L3VSN      L2VSN      VRFID      PORT      DOMAIN      TYPE      NEXT HOP
MAC-ADDRESS     ISID      ISID
-----
50.0.1.2        b0:ad:aa:42:ed:04  55500      50500      0          2/23      2          DYNAMIC   00:bb:00:00:01:01
1 out of 2 Total Num of DVR Host Entries displayed
=====
```

Variable definitions

Use the data in the following table to use the `show dvr host-entries` command.

Variable	Value
<i>domain-id</i>	Specifies the domain ID of the DvR host entry. The range is 1 to 255.
<i>ipv4</i>	Specifies the IP address (IPv4) of the DvR host entry.
<i>l2isid</i>	Specifies the Layer 2 VSN I-SID of the DvR host entry. The range is 1 to 16777215.
<i>l3isid</i>	Specifies the Layer 3 VSN I-SID of the DvR host entry. The range is 0 to 16777215.
<i>nh-as-mac</i>	Specifies the MAC address of the next hop node instead of the system name.
<i>type</i>	Specifies the host type of the DvR host entry. A value of 1 indicates local hosts and a value of 2 indicates dynamic hosts.
<i>vrf</i>	Specifies the VRF name of the DvR host entry.
<i>vrfids</i>	Specifies the VRF ID of the DvR host entry. The range is 0 to 512.

Job aid

Use the data in the following table to use the `show dvr host-entries` command output.

Field	Descriptions
IP-ADDRESS	Specifies the IP address of the DvR host entry (IPv4 remote ARP).
HOST MAC-ADDRESS	Specifies the MAC address of the DvR host entry (IPv4 remote ARP).
L3VSN ISID	Specifies the Layer 3 VSN I-SID of the DvR host entry.
VRFID	Specifies the VRF ID of the DvR host entry.

Table continues...

Field	Descriptions
L2VSN ISID	Specifies the Layer 2 VSN I-SID of the DvR host entry.
PORT	Specifies the port of the DvR host entry.
DOMAIN ID	Specifies the DvR domain ID of the DvR host entry.
TYPE	Specifies the host type of the DvR host entry.
NEXT HOP	Specifies the next hop system MAC address of the DvR host entry.

Viewing DvR routes

About this task

View the DvR routes (IPv4 network routes) on a DvR Controller or a Leaf node.

Controllers display all the IP subnet routes configured for that DvR domain. The Leaf nodes display the IP subnet routes that are learned from the Controller(s) for the Layer 2 VSNs in the DvR Domain. Leaf nodes also display routes that are redistributed by Controllers (direct routes, static routes and the default route), into the DvR domain.

Before you begin

Ensure that you enable DvR globally on the node.

Procedure

1. Enter Privileged EXEC mode:

```
enable
```

2. View the DvR routes.

On a Controller:

```
show dvr routes [ipv4 {A.B.C.D}]|[l3isid <0-16777215>]| [nh-as-mac] |
[vrf WORD<1-16>]| [vrfids WORD<0-512>]
```

On a Leaf node:

```
show dvr routes [ipv4 {A.B.C.D}]|[l3isid <0-16777215>]| [nh-as-mac]
```

Viewing the DvR routes for a specific VRF or VRF ID is not supported on a DvR Leaf node.

Example

View DvR routes on either a Controller or a Leaf node.

Viewing the DvR routes for a specific VRF or VRF ID is not supported on a DvR Leaf node.

```
Switch:1#show dvr routes
```

```
=====
DVR Routes
=====
DEST          MASK          NEXT          VRFID  L3VSN  L2VSN  TYPE  COST
HOP                                     ISID   ISID
-----
50.0.0.0      255.255.0.0   Ctrl1-1:8400:121  0      55500  50500  -     1
=====
```

1 out of 1 Total Num of DVR Routes displayed

 TYPE Legend: E=Ecmp Route

View DvR routes where the next hop MAC address is displayed instead of the system name:

Switch:1#show dvr routes nh-as-mac

```

=====
                                DVR Routes
=====
DEST                MASK                NEXT HOP                VRFID    L3VSN ISID    L2VSN ISID    TYPE    COST
-----
50.0.0.0            255.255.0.0        00:bb:00:00:01:02        0        55500        50500        -        1
=====
1 out of 1 Total Num of DVR Routes displayed
-----
TYPE Legend: E=Ecmp Route
    
```

Variable definitions

Use the data in the following table to use the **show dvr routes** command.

Variable	Value
<i>ipv4</i> {A.B.C.D}	Specifies the IP address (IPv4) of the DvR route.
<i>l3isid</i> <0-16777215>	Specifies the Layer 3 I-SID of the DvR route. The range is 0 to 16777215.
<i>nh-as-mac</i>	Specifies the MAC address of the next hop node instead of the system name.
<i>vrf</i>	Specifies the VRF name of the DvR route.
<i>vrfids</i>	Specifies the VRF ID of the DvR route. The range is 0 to 512.

Job aid

Use the data in the following table to use the **show dvr routes** command output.

Field	Descriptions
DEST	Specifies the IPv4 destination address of the DvR route.
MASK	Specifies the subnet mask of the IPv4 destination address of the DvR route.
NEXT HOP	Specifies the host name of the next hop BEB, in the DvR route.
VRFID	Specifies the VRF ID of the DvR route.
L3VSN ISID	Specifies the Layer 3 VSN I-SID of the DvR route.
L2VSN ISID	Specifies the Layer 2 VSN I-SID of the DvR route.
TYPE	Specifies the route type of the DvR route.
COST	Specifies the SPB cost of the DvR route.

Viewing DvR database information

About this task

View all DvR routes on a Controller or a Leaf node.

The Controller node displays all the IP subnet routes configured for that DvR domain. A Leaf node displays all IP subnet routes learned from the Controller(s) for the L2 VSNs in the DvR Domain. It also displays the Host Routes (ARPs) learned from other DvR enabled nodes.

Before you begin

Ensure that DvR is enabled globally on the node.

Procedure

1. Enter Privileged EXEC mode:

```
enable
```

2. View the DvR database.

On a Controller:

```
show dvr database [ipv4 {A.B.C.D}]|[l3isid<0-16777215>]| [nh-as-mac] |
[vrf WORD<1-16>]| [vrfids WORD<0-512>]
```

On a Leaf node:

```
show dvr database [ipv4 {A.B.C.D}]|[l3isid<0-16777215>]| [nh-as-mac]
```

Viewing the DvR database for a specific VRF or VRF ID is not supported on a DvR Leaf node.

Example

View the DvR database on either a Controller or a Leaf node.

Viewing the DvR database for a specific VRF or VRF ID is not supported on a DvR Leaf node.

```
Switch:1#show dvr database
=====
DVR DATABASE
=====
DEST          MASK          NEXT          VRFID  L3VSN  L2VSN  OUTGOING  SPB  PREFIX
              HOP          HOP          ISID   ISID   INTERFACE COST COST  AGE
-----
40.0.0.0      255.255.0.0   Ctrl1-1:K:121  0      0      40400   cpp      10  1   0 day(s), 05:44:55
40.0.1.2      255.255.255.255 Ctrl1-1:K:121  0      0      40400   cpp      10  1   0 day(s), 05:44:55
40.0.1.3      255.255.255.255 Ctrl1-2:K:122  101    0      40400   Ctrl1-Ctrl2 10  1   0 day(s), 05:44:30

3 out of 3 Total Num of DVR Database entries displayed
=====
```

View the DvR database for a specific IPv4 address:

```
Switch:1#show dvr database ipv4 40.3.1.2
=====
DVR DATABASE
=====
DEST          MASK          NEXT          VRFID  L3VSN  L2VSN  OUTGOING  SPB  PREFIX
              HOP          HOP          ISID   ISID   INTERFACE COST COST  AGE
-----
40.3.1.2      255.255.255.255 Ctrl1-1:K:121  0      0      40403   cpp      10  1   0 day(s), 05:50:03

1 out of 1225 Total Num of DVR Database entries displayed
=====
```

View DvR database entries for a specific L3 I-SID.

```
Switch:1#show dvr database l3isid 0
=====
DVR DATABASE
=====
DEST          MASK          NEXT HOP          VRFID  L3VSN  L2VSN  OUTGOING  SPB  PREFIX  AGE
          COST  COST
-----
40.0.0.0      255.255.0.0   Ctrl1-1:K:121    0      0      40400  cpp       10  1      0 day(s), 05:44:55
40.0.1.2      255.255.255.255 Ctrl1-1:K:121    0      0      40400  cpp       10  1      0 day(s), 05:44:55
40.0.1.3      255.255.255.255 Ctrl1-2:K:122    0      0      40400  Ctrl1-1-Ctrl12 10  1      0 day(s), 05:44:30

3 out of 3 Total Num of DVR Database entries displayed
=====
```

View DvR database entries with next hop MAC address displayed instead of the system name:

```
Switch:1#show dvr database l3isid 0
=====
DVR DATABASE
=====
DEST          MASK          NEXT HOP          VRFID  L3VSN  L2VSN  OUTGOING  SPB  PREFIX  AGE
          COST  COST
-----
40.0.0.0      255.255.0.0   00:bb:00:00:81:21 0      0      40400  cpp       10  1      0 day(s), 05:44:55
40.0.1.2      255.255.255.255 00:bb:00:00:81:21 0      0      40400  cpp       10  1      0 day(s), 05:44:55
40.0.1.3      255.255.255.255 00:bb:00:00:81:22 0      0      40400  Ctrl1-1-Ctrl12 10  1      0 day(s), 05:44:30

3 out of 3 Total Num of DVR Database entries displayed
=====
```

Variable definitions

Use the data in the following table to use the **show dvr database** command.

Variable	Value
<i>ipv4 {A.B.C.D}</i>	Specifies the IP address (IPv4) of the DvR database entry.
<i>l3isid <0-16777215></i>	Specifies the Layer 3 I-SID of the DvR database entry. The range is 0 to 16777215.
<i>nh-as-mac</i>	Specifies the MAC address of the next hop node instead of the system name.
<i>vrf</i>	Specifies the VRF name of the DvR database entry.
<i>vrfids</i>	Specifies the VRF ID of the DvR database entry. The range is 0 to 512.

Job aid

Use the data in the following table to use the **show dvr database** command output.

Field	Descriptions
DEST	Specifies the address type of the IPv4 destination address of the DvR database entry.
MASK	Specifies the destination mask of the DvR database entry.
NEXT HOP	Specifies the MAC address of the next hop BEB, in the DvR database entry.
VRFID	Specifies the VRF ID for the database entry.

Table continues...

Field	Descriptions
L3VSN ISID	Specifies the Layer 3 VSN I-SID of the DvR database entry.
L2VSN ISID	Specifies the Layer 2 VSN I-SID of the DvR database entry.
OUTGOING INTERFACE	Specifies the outgoing interface (port or MLT) of the DvR database entry.
SPB COST	Specifies the SPB cost of the DvR database entry.
PREFIX COST	Specifies the prefix cost of the DvR database entry.
AGE	Specifies the uptime since creation of the DvR database table entry.

Viewing DvR backbone entries

About this task

View the DvR backbone entries (redistributed host routes) learned from all Controllers in all DvR domains.

* Note:

DvR backbone entries can be viewed only on a Controller. Viewing backbone entries is not applicable on a Leaf node.

Before you begin

Ensure that you enable DvR globally on the node.

Procedure

1. Enter Privileged EXEC mode:

```
enable
```

2. View DvR backbone entries:

```
show dvr backbone-entries [adv-controller WORD<1-255>] [[domain-id
<1-255>] | [host-mac-address 0x00:0x00:0x00:0x00:0x00:0x00] | [ipv4
{A.B.C.D}] | [l2isid <1-16777215>] | [l3isid <0-16777215>] | [next-hop
WORD<1-255>] | [nh-as-mac]
```

Example

View all DvR backbone entries:

```
Switch:1#show dvr backbone-entries
```

```

=====
DVR Backbone-Entries
=====
IP-ADDRESS      HOST          L3VSN      L2VSN      DOMAIN      ADV-CONTROLLER      NEXT HOP
MAC-ADDRESS     ISID         ISID       ID
-----
40.0.1.2        b0:ad:aa:4c:55:00  0          40400      255         Ctrl1-2:8200:122    Ctrl1-1:8400:121
40.0.1.2        b0:ad:aa:4c:55:00  0          40400      255         Ctrl1-1:8400:121    Ctrl1-1:8400:121
40.0.1.3        b0:ad:aa:43:31:00  0          40400      255         Ctrl1-1:8400:121    Ctrl1-2:8200:122
40.0.1.3        b0:ad:aa:43:31:00  0          40400      255         Ctrl1-2:8200:122    Ctrl1-2:8200:122
=====
4 out of 4 Total Num of DVR Backbone Routes displayed

```

View DvR backbone entries on a specific DvR Controller:

```
Switch:1#show dvr backbone-entries adv-controller Ctrl-2:8200:122
```

```
=====
DVR Backbone-Entries
=====
```

IP-ADDRESS	HOST MAC-ADDRESS	L3VSN ISID	L2VSN ISID	DOMAIN ID	ADV-CONTROLLER	NEXT HOP
40.0.1.2	b0:ad:aa:4c:55:00	0	40400	255	Ctrl-2:8200:122	Ctrl-1:8400:121
40.1.1.3	b0:ad:aa:43:31:00	0	40401	255	Ctrl-2:8200:122	Ctrl-2:8200:122

```
-----
2 out of 2 Total Num of DVR Backbone Routes displayed
=====
```

View DvR backbone entries for a specific host MAC address:

```
Switch:1#show dvr backbone-entries host-mac-address b0:ad:aa:4c:55:00
```

```
=====
DVR Backbone-Entries
=====
```

IP-ADDRESS	HOST MAC-ADDRESS	L3VSN ISID	L2VSN ISID	DOMAIN ID	ADV-CONTROLLER	NEXT HOP
40.0.1.2	b0:ad:aa:4c:55:00	0	40400	255	Ctrl-2:8200:122	Ctrl-1:8400:121
40.0.1.2	b0:ad:aa:4c:55:00	0	40400	255	Ctrl-1:8400:121	Ctrl-1:8400:121

```
-----
2 out of 2 Total Num of DVR Backbone Routes displayed
=====
```

View DvR backbone entries for a specific IP address:

In this example, you enter IP address 40.0.1.0 to display backbone entries for IP addresses 40.0.1.2 and 40.0.1.3.

```
Switch:1#show dvr backbone-entries ipv4 40.0.1.0
```

```
=====
DVR Backbone-Entries
=====
```

IP-ADDRESS	HOST MAC-ADDRESS	L3VSN ISID	L2VSN ISID	DOMAIN ID	ADV-CONTROLLER	NEXT HOP
40.0.1.2	b0:ad:aa:4c:55:00	0	40400	255	Ctrl-2:8200:122	Ctrl-1:8400:121
40.0.1.2	b0:ad:aa:4c:55:00	0	40400	255	Ctrl-1:8400:121	Ctrl-1:8400:121
40.1.1.3	b0:ad:aa:43:31:00	0	40401	255	Ctrl-2:8200:122	Ctrl-2:8200:122
40.1.1.3	b0:ad:aa:43:31:00	0	40401	255	Ctrl-2:8200:121	Ctrl-2:8200:122

```
-----
4 out of 4 Total Num of DVR Backbone Routes displayed
=====
```

View DvR backbone entries for a specific L3 VSN I-SID:

```
Switch:1#show dvr backbone-entries l3isid 0
```

```
=====
DVR Backbone-Entries
=====
```

IP-ADDRESS	HOST MAC-ADDRESS	L3VSN ISID	L2VSN ISID	DOMAIN ID	ADV-CONTROLLER	NEXT HOP
40.0.1.2	b0:ad:aa:4c:55:00	0	40400	255	Ctrl-2:8200:122	Ctrl-1:8400:121
40.0.1.2	b0:ad:aa:4c:55:00	0	40400	255	Ctrl-1:8400:121	Ctrl-1:8400:121
40.0.1.3	b0:ad:aa:43:31:00	0	40400	255	Ctrl-1:8400:121	Ctrl-2:8200:122
40.0.1.3	b0:ad:aa:43:31:00	0	40400	255	Ctrl-2:8200:122	Ctrl-2:8200:122

```
-----
4 out of 4 Total Num of DVR Backbone Routes displayed
=====
```

View DvR backbone entries for a specific next hop node:

```
Switch:1#show dvr backbone-entries next-hop Ctrl-1:8400:121
```

```
=====
DVR Backbone-Entries
=====
```

HOST	L3VSN	L2VSN	DOMAIN
------	-------	-------	--------

```

IP-ADDRESS      MAC-ADDRESS      ISID      ISID      ID      ADV-CONTROLLER      NEXT HOP
-----
40.0.1.2        b0:ad:aa:4c:55:00  0          40400     255     Ctrl-2:8200:122     Ctrl-1:8400:121
40.0.1.2        b0:ad:aa:4c:55:00  0          40400     255     Ctrl-1:8400:121     Ctrl-1:8400:121

 2 out of 2 Total Num of DVR Backbone Routes displayed
-----

```

View DvR backbone entries where the next hop nodes are displayed as MAC addresses:

```

Switch:1#show dvr backbone-entries nh-as-mac

=====
DVR Backbone-Entries
=====
IP-ADDRESS      HOST      L3VSN      L2VSN      DOMAIN      ADV-CONTROLLER      NEXT HOP
MAC-ADDRESS      ISID      ISID      ID
-----
40.0.1.2        b0:ad:aa:4c:55:00  0          40400     255     Ctrl-2:8200:122     00:bb:00:00:81:21
40.0.1.2        b0:ad:aa:4c:55:00  0          40400     255     Ctrl-1:8400:121     00:bb:00:00:81:21

 2 out of 2 Total Num of DVR Backbone Routes displayed
-----

```

Variable definitions

Use the data in the following table to use the `show dvr backbone entries` command.

Variable	Value
<code>adv-controller WORD<1-255></code>	Specifies the system name of the advertising Controller.
<code>domain-id <1-255></code>	Specifies the domain ID of the DvR backbone entry. The range is 1 to 255.
<code>host-mac-address</code> <code>0x00:0x00:0x00:0x00:0x00:0x00</code>	Specifies the host MAC address of the DvR backbone entry.
<code>ipv4 {A.B.C.D}</code>	Specifies the IP address (IPv4) of the DvR backbone entry.
<code>l2isid <1-16777215></code>	Specifies the Layer 2 I-SID of the DvR backbone entry. The range is 1 to 16777215.
<code>l3isid <0-16777215></code>	Specifies the Layer 3 I-SID of the DvR backbone entry. The range is 0 to 16777215.
<code>next-hop WORD<1-255></code>	Specifies the system name of the next hop node.
<code>nh-as-mac</code>	Specifies the MAC address of the next hop node instead of the system name.

Job aid

Use the data in the following table to use the `show dvr backbone-entries` command output.

Field	Descriptions
IP-ADDRESS	Specifies the IPv4 address of the DvR backbone host.
HOST MAC-ADDRESS	Specifies the MAC address of DvR backbone host.
L3VSN ISID	Specifies the Layer 3 VSN I-SID of the DvR backbone host.
L2VSN ISID	Specifies the Layer 2 VSN I-SID of the DvR backbone host.

Table continues...

Field	Descriptions
DOMAIN ID	Specifies the domain ID of the DvR backbone host.
ADV-CONTROLLER	Specifies the host name of the advertising Controller.
NEXT HOP	Specifies the MAC address of the next hop backbone host in the DvR route.

Viewing DvR backbone members

About this task

DvR backbone members are either DvR Controllers or non-DvR BEBs that receive redistributed host routes from all other DvR Controllers in the SPB network.

Before you begin

Ensure that DvR is enabled globally on the node.

Procedure

1. Enter Privileged EXEC mode:

```
enable
```

2. View DvR backbone member information:

```
show dvr backbone-members [controller|non-dvr-beb]
```

Example

View all DvR backbone members:

```
Switch:1#show dvr backbone-members
```

```
=====
DVR BB Members
=====
System Name                Nick-Name      Nodal MAC      Role           Domain Id
-----
DVR-D2-C1-40              0.82.40       00:00:82:84:40:00  NON-DVR-BEB   2
Ctrl-2:8200:122          0.81.22       00:bb:00:00:81:22  Controller     2
=====
2 out of 2 Total Num of DVR Backbone Members displayed
=====
```

View backbone members that are DvR controllers:

```
Switch:1#show dvr backbone-members controller
```

```
=====
DVR BB Members (Domain ID: 255)
=====
System Name                Nick-Name      Nodal MAC      Role           Domain Id
-----
Ctrl-2:8200:122          0.81.22       00:bb:00:00:81:22  Controller     2
=====
1 out of 2 Total Num of DVR Backbone Members displayed
=====
```

View backbone members that are non-DvR BEBs:

```
Switch:1#show dvr backbone-members non-dvr-beb
```

```
=====
DVR BB Members
=====
System Name                Nick-Name      Nodal MAC      Role           Domain Id
-----
```

```
DVR-D2-C1-40          0.82.40          00:00:82:84:40:00          NON-DVR-BEB 2
-----
1 out of 2 Total Num of DVR Backbone Members displayed
```

Variable definitions

Use the data in the following table to use the `show dvr backbone-members` command.

Variable	Value
<code>controller</code>	Specifies backbone members that are DvR Controllers.
<code>non-dvr-beb</code>	Specifies backbone members that are non-DvR BEBs.

Job aid

Use the data in the following table to use the `show dvr backbone-members` command output.

Field	Description
System Name	Specifies the system name of the DvR backbone member.
Nick-Name	Specifies the nick name of the DvR backbone member.
Nodal MAC	Specifies the nodal MAC address of the DvR backbone member.
Role	Specifies the role of the DvR backbone member.
Domain Id	Specifies the domain ID of the backbone member.

Viewing Layer 3 VSN information

About this task

View VRFs corresponding to Layer 3 (routed) VSN I-SIDs on either a Controller or a Leaf node.

Before you begin

Ensure that you enable DvR globally on the node.

Procedure

1. Enter Privileged EXEC mode:

```
enable
```

2. View the Layer 3 VSN information:

```
show dvr l3vsns [l3isid <0-16777215>] | [vrf WORD<1-16>] | [vrfids WORD<0-512>]
```

Example

View Layer 3 VSN information on a DvR Controller:

```
Switch:1#show dvr l3vsns
```

```
=====
DVR L3VSN
```

```

=====
VRF ID          L3VSN ISID    VRF NAME      INJECT-DEFAULT-ROUTE-DISABLE
-----
1                55500         vrf600        Disabled
2                55501         vrf601        Disabled
3                55502         vrf602        Disabled
4                55503         vrf603        Disabled

4 out of 4 Total Num of DVR L3VSN displayed
=====

```

View Layer 3 VSN information on a DvR Leaf node:

```

Switch2:1#show dvr l3vsn

=====
                        DVR L3VSN
=====
VRF ID          L3VSN ISID    VRF NAME
-----
1                55500         vrf600
2                55501         vrf601
3                55502         vrf602

3 out of 3 Total Num of DVR L3VSN displayed
=====

```

Variable definitions

Use the data in the following table to use the `show dvr l3vsn` command.

Variable	Value
<code>/3isid <0-16777215></code>	Specifies the Layer 3 VSN I-SID. The range is 0 to 16777215.
<code>vrf WORD<1-16></code>	Specifies the VRF name of the VRF corresponding to the Layer 3 VSN I-SID.
<code>vrfids WORD<0-512></code>	Specifies the VRF ID of the VRF.

Job aid

Use the data in the following table to use the `show dvr l3vsn` command output on a DvR Controller.

Field	Description
VRF ID	Specifies the VRF ID of the VRF corresponding to the Layer 3 VSN I-SID.
L3VSN ISID	Specifies the Layer 3 VSN I-SID.
VRF NAME	Specifies the VRF name of the VRF corresponding to the Layer 3 VSN I-SID.
INJECT-DEFAULT-ROUTE-DISABLE	Specifies whether injection of default routes is disabled.

Use the data in the following table to use the `show dvr l3vsn` command output on a DvR Leaf node.

Field	Description
VRF ID	Specifies the VRF ID of the VRF corresponding to the Layer 3 VSN I-SID.
L3VSN ISID	Specifies the Layer 3 VSN I-SID.
VRF NAME	Specifies the VRF name of the VRF corresponding to the Layer 3 VSN I-SID.

Viewing DvR domain redistribution information

About this task

View DvR domain redistribution information on a Controller or a Leaf node.

* Note:

You can view DvR domain redistribution information only on a DvR Controller.

An error message displays if you attempt to view this information on a DvR Leaf node.

Before you begin

Ensure that you enable DvR globally on the node.

Procedure

1. Enter Privileged EXEC mode:

```
enable
```

2. View DvR domain redistribution information:

```
show dvr redistribute [vrf WORD<1-16>] | [vrfids WORD<0-512>]
```

Example

View DvR domain redistribution information on a Controller:

```
Switch:1#show dvr redistribute
=====
DVR Redistribute List - GlobalRouter
=====
SOURCE MET MTYPE      ENABLE RPOLICY
-----
STAT  1  External  TRUE  -
```

View DvR domain redistribution information for a particular VRF.

```
Switch:1#show dvr redistribute vrf vrf1
=====
DVR Redistribute List - VRF vrf1
=====
SOURCE MET MTYPE      ENABLE RPOLICY
-----
STAT  20000 External  TRUE  -
LOC   10000 Internal  TRUE  -
```

Variable definitions

Use the data in the following table to use the `show dvr redistribute` command.

Variable	Definitions
<code>vrf WORD<1-16></code>	Specifies the VRF name.
<code>vrfids WORD<0-512></code>	Specifies the VRF ID of the VRF.

Job aid

Use the data in the following table to use the `show dvr redistribute` command output.

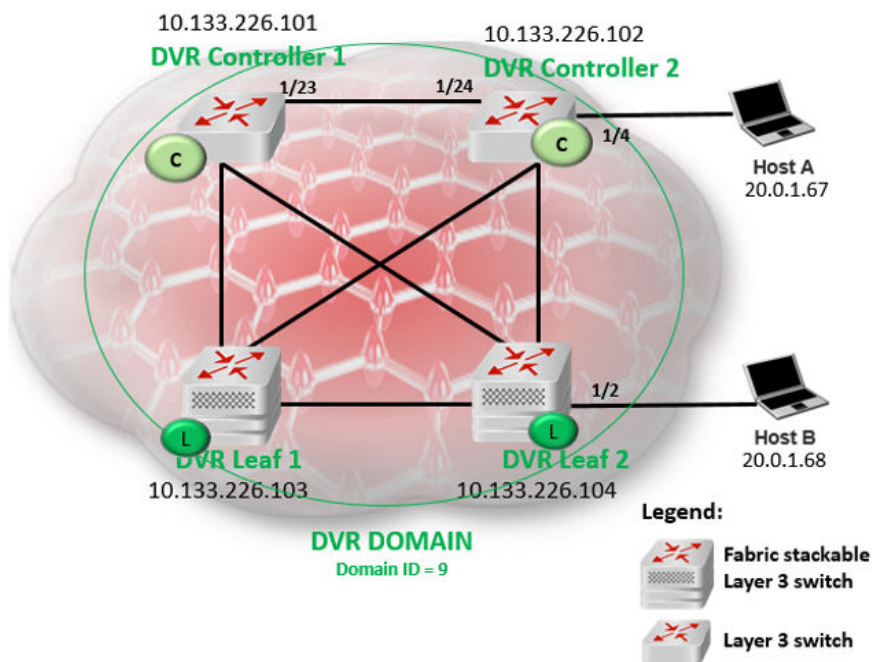
Field	Description
SOURCE	Specifies the source of the DvR route redistribution.
MET	Specifies the DvR route redistribution metric. The range is 0 to 65535.
MTYPE	Specifies the DvR route redistribution metric type.
ENABLE	Specifies whether DvR route redistribution is enabled on the VRF instance.
RPOLICY	Specifies the route policy for DvR route redistribution.

Chapter 22: IPv4 configuration examples

The following sections show configuration examples for IPv4 deployment options.

Configuring a DvR solution

The following section describes a simple configuration example to configure Distributed Virtual Routing (DvR) over a Fabric Connect (SPB) network.



About this task

In this example, you configure two DvR Controllers (with IP addresses 10.133.226.101 and 10.133.226.102) and two DvR Leaf nodes (with IP addresses 10.133.226.103 and 10.133.226.104), in a single DvR domain with domain ID 9. Hosts connect to the DvR nodes as shown in the figure.

Before you begin

On the switches to be configured as DvR Controllers:

- Ensure that you configure Fabric Connect.
- Ensure that you configure IP Shortcuts on the node. This is necessary for proper functioning of the node as a DvR Controller.
- Verify that the `dvr-leaf-mode` boot flag is disabled on the node. To verify the setting, enter `show boot config flags` in Privileged EXEC mode.

On the switches to be configured as DvR Leaf nodes:

- Ensure that you configure Fabric Connect.

Procedure**DvR Controller configuration — Controller 1 and Controller 2:**

1. Verify configuration of Fabric Connect on each of the switches to be configured as the DvR Controllers.

The following examples show verification on one of the switches. Perform this verification on both switches.

- a. Verify the SPB configuration:

```
Switch1:1>en
Switch1:1#show spbm
                    spbm : enable
                    ethertype : 0x8100
                    nick-name server : enable
                    nick-name allocation : static
                    nick-name server range : B.00.00-B.FF.FF
```

```
Switch1:1#show isis spbm
```

```
=====
                        ISIS SPBM Info
=====
SPBM      B-VID      PRIMARY      NICK      LSDB      IP      IPV6      MULTICAST      SPB-PIM-GW
INSTANCE  VLAN          VLAN         NAME      TRAP
-----
1         4051-4052    4051        0.10.01   disable   enable   disable   enable         disable
```

```
=====
                        ISIS SPBM SMLT Info
=====
SPBM      SMLT-SPLIT-BEB      SMLT-VIRTUAL-BMAC      SMLT-PEER-SYSTEM-ID
INSTANCE
-----
1         primary              00:00:00:00:00:00
```

```
-----
Total Num of SPBM instances: 1
-----
```

- b. Verify the global IS-IS configuration:

```
Switch1:1#show isis
```

```
=====
                        ISIS General Info
=====
AdminState : enabled
```

```

RouterType : Level 1
System ID : 00bb.0000.0101
Max LSP Gen Interval : 900
Metric : wide
Overload-on-startup : 20
Overload : false
Csnp Interval : 10
PSNP Interval : 2
Rxmt LSP Interval : 5
spf-delay : 100
Router Name : Cont-1
ip source-address : 10.0.0.101
ipv6 source-address :
ip tunnel source-address :
Tunnel vrf :
ip tunnel mtu :
Num of Interfaces : 4
Num of Area Addresses : 1
inband-mgmt-ip :
backbone : disabled
Dynamically Learned Area : 00.0000.0000
FAN Member : No

```

2. Configure the DvR Controllers.

a. Configure Controller 1 (IP address 10.133.226.101) with DvR domain ID 9.

```

Switch:1>en
Switch:1#conf t
Enter configuration commands, one per line. End with CNTL/Z.
Switch:1(config)#dvr controller 9
Switch:1(config)#show dvr

```

```

=====
DVR Summary Info
=====
Domain ID : 9
Domain ISID : 16678219
Backbone ISID :
Role : Controller
My SYS ID : 00:bb:00:00:81:21
Operational State : Up
GW MAC : 00:00:5e:00:01:25
InjectDefaultRouteDisable(GRT) : Disabled

```

b. Configure Controller 2 (IP address 10.133.226.102), also with DvR domain ID 9.

```

Switch:1>en
Switch:1#conf t
Enter configuration commands, one per line. End with CNTL/Z.
Switch:1(config)#dvr controller 9
Switch:1(config)#show dvr

```

```

=====
DVR Summary Info
=====
Domain ID : 9
Domain ISID : 16678219
Backbone ISID : 16678216
Role : Controller
My SYS ID : 00:bb:00:00:81:21
Operational State : Up
GW MAC : 00:00:5e:00:01:25
InjectDefaultRouteDisable(GRT) : Disabled

```

- c. Verify the configuration. View the members of the DvR domain.

```
Switch1:1#show dvr members
=====
DVR Members (Domain ID: 2)
=====
System Name                Nick-Name                Nodal MAC                Role
-----
Cont-1                      0.10.01                  00:bb:00:00:01:01        Controller
Cont-2                      0.10.02                  00:bb:00:00:01:02        Controller
2 out of 2 Total Num of DVR Members displayed
=====
```

Layer 2 VSN (VLAN) configuration on the DvR Controllers:

3. Configure Layer 2 VSN on the DvR Controllers, Controller 1 and Controller 2.

- a. Configure platform VLANs on Controller 1 (VLAN ID=200 and VLAN ID=202). Associate the VLANs with the I-SIDs 20200 and 20202 respectively. Configure gateway IPv4 addresses 20.0.1.1 and 20.2.1.1 respectively, and enable DvR on those interfaces.

```
Switch1:1(config)#vlan create 200 type port-mstprstp 0
Switch1:1(config)#vlan i-sid 200 20200
Switch1:1(config)#interface vlan 200
Switch1:1(config)#dvr gw-ipv4 20.0.1.1
Switch1:1(config)#dvr enable
Switch1:1(config)#ip address 20.0.1.2 255.255.0.0
```

```
Switch1:1(config)#vlan create 202 type port-mstprstp 0
Switch1:1(config)#vlan i-sid 202 20202
Switch1:1(config)#interface vlan 202
Switch1:1(config)#dvr gw-ipv4 20.2.1.1
Switch1:1(config)#dvr enable
Switch1:1(config)#ip address 20.2.1.2 255.255.0.0
Switch1:1(config)#exit
Switch1:1#
```

- b. Configure the platform VLANs on Controller 2. Ensure that you configure the same gateway IPv4 addresses on the corresponding VLANs, as on Controller 1.

```
Switch2:1(config)#vlan create 200 type port-mstprstp 0
Switch2:1(config)#vlan i-sid 200 20200
Switch2:1(config)#interface vlan 200
Switch2:1(config)#dvr gw-ipv4 20.0.1.1
Switch2:1(config)#dvr enable
Switch2:1(config)#ip address 20.0.1.3 255.255.0.0
```

```
Switch2:1(config)#vlan create 202 type port-mstprstp 0
Switch2:1(config)#vlan i-sid 202 20202
Switch2:1(config)#interface vlan 202
Switch2:1(config)#dvr gw-ipv4 20.2.1.1
Switch2:1(config)#dvr enable
Switch2:1(config)#ip address 20.2.1.3 255.255.0.0
Switch2:1(config)#exit
Switch2:1#
```

- c. Verify Layer 2 VSN (VLAN) configuration on the Controllers. The following example shows the verification on Controller 1. Perform this verification on both Controllers.

View the DvR interfaces.

On Controllers, DvR interfaces are created when you configure IP on a DvR enabled Layer 2 VSN (VLAN, I-SID). You can also view the administrative state of these interfaces on the Controller.

```
Switch1:1#show dvr interfaces
=====
DVR Interfaces
=====
Interface      Mask          L3ISID  VRFID  L2ISID  VLAN  GW IPv4      Admin  SPBMC  IGMP
                State         State
-----
20.0.1.2       255.255.0.0  0       0       20200   200   20.0.1.1    enable disable 2
20.2.1.2       255.255.0.0  0       0       20202   202   20.2.1.1    enable disable 2
2 out of 2 Total Num of DVR Interfaces displayed
=====
```

View the DvR host entries learned locally on the S-UNI port.

```
Switch1:1#show dvr host-entries
=====
DVR Host-Entries
=====
IP-ADDRESS      HOST          L3VSN      L2VSN      DOMAIN      NEXT
MAC-ADDRESS     MAC-ADDRESS  ISID       ISID       ID           TYPE      HOP
-----
20.0.1.2        b0:ad:aa:42:ed:04  0          20200     cpp         9        LOCAL      Cont-1
20.2.1.2        b0:ad:aa:42:ed:04  0          20202     cpp         9        LOCAL      Cont-1
2 out of 2 Total Num of DVR Host Entries displayed
=====
```

View the DvR database. All IP subnet routes configured on the Controller, for the DvR domain, are displayed.

```
Switch1:1#show dvr database
=====
DVR DATABASE
=====
DEST            MASK          NEXT          L3VSN      L2VSN      OUTGOING      SPB  PREFIX
HOP            HOP
-----
20.0.1.2        255.255.255.255  Cont-1       0          20200     cpp          10  1      1 day(s),
06:41:40
20.2.1.2        255.255.255.255  Cont-1       0          20202     cpp          10  1      1 day(s),
06:41:40
2 out of 2 Total Num of DVR Database entries displayed
=====
```

View the DvR routes for the subnets 20.0.0.0 and 20.2.0.0.

```
Switch1:1#show dvr routes
=====
DVR Routes
=====
DEST            MASK          NEXT          L3VSN      L2VSN      TYPE      COST
HOP            HOP
-----
20.0.0.0        255.255.0.0  Cont-1       0          20200     -         1
20.2.0.0        255.255.0.0  Cont-1       0          20202     -         1
2 out of 2 Total Num of DVR Routes displayed
=====
TYPE Legend: E=Ecmp Route
```

Layer 3 configuration on the DvR Controllers

4. Configure Layer 3 (VRF) on the DvR Controllers, Controller 1 and Controller 2.
 - a. Configure Layer 3 on Controller 1. As part of this configuration, you configure a VRF vrf501 and associate it with a DvR VLAN.

```
Switch1:1(config)#ip vrf vrf501 vrfid 501
Switch1:1(config)#vlan create 501 type port-mstprstp 0
Switch1:1(config)#vlan i-sid 501 50501
Switch1:1(config)#interface Vlan 501
Switch1:1(config)#vrf vrf501
Switch1:1(config)#dvr gw-ipv4 50.1.1.1
```

IPv4 configuration examples

```
Switch1:1(config)#dvr enable
Switch1:1(config)#ip address 50.1.1.2 255.255.0.0
```

```
Switch1:1(config)#router vrf vrf501
Switch1:1(router-vrf)#i-sid 55501
Switch1:1(router-vrf)#ipvpn enable
Switch1:1(router-vrf)#exit
Switch1:1(config)#
```

b. Configure Layer 3 on Controller 2.

```
Switch2:1(config)#ip vrf vrf501 vrfid 501
Switch2:1(config)#vlan create 501 type port-mstprstp 0
Switch2:1(config)#vlan i-sid 501 50501
Switch2:1(config)#interface Vlan 501
Switch2:1(config)#vrf vrf501
Switch2:1(config)#dvr gw-ipv4 50.1.1.1
Switch2:1(config)#dvr enable
Switch2:1(config)#ip address 50.1.1.3 255.255.0.0
```

```
Switch2:1(config)#router vrf vrf501
Switch2:1(router-vrf)#i-sid 55501
Switch2:1(router-vrf)#ipvpn enable
Switch2:1(router-vrf)#exit
Switch2:1(config)#
```

c. Verify Layer 3 configuration. The following example shows verification on Controller 1. Perform this verification on both Controllers.

View the DvR host entries.

```
Switch2:1(config)#show dvr host-entries l3isid 55501
```

```
=====
DVR Host-Entries
=====
IP-ADDRESS      HOST          L3VSN   L2VSN   PORT      DOMAIN
MAC-ADDRESS     ISID         ISID
-----
50.1.1.2        b0:ad:aa:42:ed:08 55501   50501   cpp       9
50.1.1.3        b0:ad:aa:4c:3d:02 55501   50501   1/23     9
                    LOCAL
                    DYNAMIC
                    Cont-1
                    Cont-2

2 out of 3267 Total Num of DVR Host Entries displayed
=====
```

View the DvR interfaces.

```
Switch2:1(config)#show dvr interfaces l3isid 55501
```

```
=====
DVR Interfaces
=====
Interface      Mask          L3ISID   VRFID   L2ISID   VLAN   GW IPv4      Admin
State         SPBMC      IGMP
                State     Version
-----
50.1.1.2       255.255.0.0  55501   501     50501   501    50.1.1.1    enable
                disable   2

1 out of 291 Total Num of DVR Interfaces displayed
=====
```

```
Switch2:1(config)#show dvr database l3isid 55501
```

```
=====
DVR DATABASE
=====
DEST          MASK          NEXT      L3VSN   L2VSN   OUTGOING   SPB   PREFIX
HOP           HOP           ISID     ISID     INTERFACE  COST COST  AGE
-----
50.1.0.0      255.255.0.0  Cont-1   55501   50501   cpp        10   1    0 day(s), 01:26:49
50.1.1.2      255.255.255.255 Cont-1   55501   50501   cpp        10   1    0 day(s), 01:26:49
50.1.1.3      255.255.255.255 Cont-2   55501   50501   1/23      10   1    0 day(s), 01:24:53

3 out of 3558 Total Num of DVR Database entries displayed
=====
```

DvR Leaf configuration — Leaf 1 and Leaf 2

5. Configure the boot flag `dvr-leaf-mode` on the switches to be configured as DvR Leaf nodes.

⚠ Caution:

Ensure that you save the current configuration on the switch, before you enable the flag.

Enabling the flag removes all existing non-DvR configuration on the switch, such as platform VLANs and their IP address configuration, CLIP configuration, routing protocol configuration and VRF configuration. The gateway IPv4 address, if configured, is also removed.

On switch with IP address 10.133.226.104, configure the boot flag and reboot the switch.

```
Switch3:1>en
Switch3:1#conf t
Enter configuration commands, one per line. End with CNTL/Z.
Switch3:1(config)#boot config flags dvr-leaf-mode
Switch3:1(config)#save config
Switch3:1(config)#reset
```

On switch with IP address 10.133.226.105, configure the boot flag and reboot the switch.

```
Switch4:1>en
Switch4:1#conf t
Enter configuration commands, one per line. End with CNTL/Z.
Switch4:1(config)#boot config flags dvr-leaf-mode
Switch4:1(config)#save config
Switch4:1(config)#reset
```

6. After the switches come back up, configure the nodes as DvR Leaf nodes.

Configure switch with IP address 10.133.226.104 as DvR Leaf 1; verify the configuration.

```
Switch3:1(config)#dvr Leaf 9
Switch3:1(config)#show dvr

=====
DVR Summary Info
=====
Domain ID                : 9
Domain ISID              : 16678219
Role                     : Leaf
My SYS ID                : 00:bb:00:00:80:05
Operational State       : Up
GW MAC                   : 00:00:5e:00:01:25
Inband Mgmt IP          :
Virtual Ist local address :
Virtual Ist local subnet mask :
Virtual Ist peer address :
Virtual Ist cluster-id  :
Virtual Ist ISID        :
```

Configure switch with IP address 10.133.226.105 as DvR Leaf 2; verify the configuration.

```
Switch4:1(config)#dvr Leaf 9
Switch4:1(config)#show dvr

=====
DVR Summary Info
=====
Domain ID                : 9
Domain ISID              : 16678219
Role                     : Leaf
My SYS ID                : 00:bb:00:00:80:05
Operational State       : Up
```

IPv4 configuration examples

```
GW MAC : 00:00:5e:00:01:25
Inband Mgmt IP :
Virtual Ist local address :
Virtual Ist local subnet mask :
Virtual Ist peer address :
Virtual Ist cluster-id :
Virtual Ist ISID :
```

7. Associate the I-SIDs on the DvR Leaf nodes to the DvR VLANs configured on the Controller.

On Leaf node 1 (IP address 10.133.226.105):

```
Switch3:1(config)#i-sid 20200 elan
Switch3:1(elan:20200)#c-vid 200 port 1/2
Switch3:1(config)#exit
```

View the host connections.

```
Switch3:1#show dvr host-entries nh-as-mac
```

```
=====
DVR Host-Entries
=====
IP-ADDRESS      HOST          L3VSN  L2VSN  PORT  DOMAIN  TYPE  NEXT HOP
MAC-ADDRESS     ISID         ISID
-----
20.0.1.67       00:00:00:00:00:67  0      20200  1/4   9       DYNAMIC  00:bb:00:00:81:21
20.0.1.68       00:00:00:00:00:68  0      20200  1/2   9       DYNAMIC  00:bb:00:00:81:21
2 out of 2 Total Num of DVR Host Entries displayed
=====
```

On Leaf node 2 (IP address 10.133.226.105):

```
Switch4:1(config)#i-sid 20200 elan
Switch4:1(elan:20200)#c-vid 200 port 1/2
Switch4:1(config)#exit
```

View the host connections.

```
Switch4:1#show dvr host-entries nh-as-mac
```

```
=====
DVR Host-Entries
=====
IP-ADDRESS      HOST          L3VSN  L2VSN  PORT  DOMAIN  TYPE  NEXT HOP
MAC-ADDRESS     ISID         ISID
-----
20.0.1.67       00:00:00:00:00:67  0      20200  1/4   9       DYNAMIC  00:bb:00:00:81:21
20.0.1.68       00:00:00:00:00:68  0      20200  1/2   9       DYNAMIC  00:bb:00:00:81:21
2 out of 2 Total Num of DVR Host Entries displayed
=====
```

8. View all members of the DvR domain. You can view this information on either a Leaf node or a Controller node.

```
Switch1:1#show dvr members
```

```
=====
DVR Members (Domain ID: 2)
=====
System Name      Nick-Name      Nodal MAC      Role
-----
Cont-1           0.10.01       00:bb:00:00:01:01  Controller
Cont-2           0.10.02       00:bb:00:00:01:02  Controller
Leaf1            0.10.04       00:bb:00:00:80:04  Leaf
Leaf2            0.10.05       00:bb:00:00:80:05  Leaf
4 out of 4 Total Num of DVR Members displayed
=====
```


Glossary

Address Resolution Protocol (ARP)	Maps an IP address to a physical machine address, for example, maps an IP address to an Ethernet media access control (MAC) address.
aggregate	A prefix length that is formed by combining several specific prefixes. The resulting prefix is used to combine blocks of address space into a single routing announcement.
Autonomous System (AS)	A set of routers under a single technical administration, using a single IGP and common metrics to route packets within the Autonomous System, and using an EGP to route packets to other Autonomous Systems.
Autonomous System Number (ASN)	A two-byte number that is used to identify a specific AS.
Bootstrap Protocol (BootP)	A User Datagram Protocol (UDP)/Internet Protocol (IP)-based protocol that a booting host uses to configure itself dynamically and without user supervision.
bootstrap router (BSR)	A dynamically elected Protocol Independent Multicast (PIM) router that collects information about potential Rendezvous Point routers and distributes the information to all PIM routers in the domain.
Bridge Protocol Data Unit (BPDU)	A data frame used to exchange information among the bridges in local or wide area networks for network topology maintenance.
candidate bootstrap router (C-BSR)	Provides backup protection in case the primary rendezvous point (RP) or bootstrap router (BSR) fails. Protocol Independent Multicast (PIM) uses the BSR and C-BSR.
Circuitless IP (CLIP)	A CLIP is often called a loopback and is a virtual interface that does not map to any physical interface.
classless interdomain routing (CIDR)	The protocol defined in RFCs 1517 and 1518 for using subnetwork masks, other than the defaults for IP address classes.
Dynamic Random Access Memory (DRAM)	A read-write random-access memory, in which the digital information is represented by charges stored on the capacitors and must be repeatedly replenished to retain the information.

Enterprise Device Manager (EDM)	A web-based embedded management system to support single-element management. EDM provides complete configuration management functionality for the supported devices and is supplied to the customer as embedded software in the device.
equal cost multipath (ECMP)	Distributes routing traffic among multiple equal-cost routes.
Global routing engine (GRE)	The base router or routing instance 0 in the Virtual Routing and Forwarding (VRF).
Institute of Electrical and Electronics Engineers (IEEE)	An international professional society that issues standards and is a member of the American National Standards Institute, the International Standards Institute, and the International Standards Organization.
Interior Gateway Protocol (IGP)	Distributes routing information between routers that belong to a single Autonomous System (AS).
Internet Assigned Numbers Authority (IANA)	The central registry for various assigned numbers, for example, Internet protocol parameters (such as port, protocol, and enterprise numbers), options, codes, and types.
Internet Control Message Protocol (ICMP)	A collection of error conditions and control messages exchanged by IP modules in both hosts and gateways.
Internet Protocol version 4 (IPv4)	The protocol used to format packets for the Internet and many enterprise networks. IPv4 provides packet routing and reassembly.
Layer 1	Layer 1 is the Physical Layer of the Open System Interconnection (OSI) model. Layer 1 interacts with the MAC sublayer of Layer 2, and performs character encoding, transmission, reception, and character decoding.
Layer 2	Layer 2 is the Data Link Layer of the OSI model. Examples of Layer 2 protocols are Ethernet and Frame Relay.
Layer 3	Layer 3 is the Network Layer of the OSI model. An example of a Layer 3 protocol is Internet Protocol (IP).
Layer 3 Virtual Services Network	The Layer 3 Virtual Services Network (L3 VSN) feature provides IP connectivity over SPBM for VRFs. Backbone Edge Bridges (BEBs) handle Layer 3 virtualized. At the BEBs through local provisioning, you map the end-user IP enabled VLAN or VLANs to a Virtualized Routing and Forwarding (VRF) instance. Then you map the VRF to a Service Instance Identifier (I-SID). VRFs that have the same I-SID configured can participate in the same Layer 3 Virtual Service Network (VSN).

link-state advertisement (LSA)	Packets that contain state information about directly connected links (interfaces) and adjacencies. Each Open Shortest Path First (OSPF) router generates the packets.
management information base (MIB)	The MIB defines system operations and parameters used for the Simple Network Management Protocol (SNMP).
mask	A bit string that the device uses along with an IP address to indicate the number of leading bits in the address that correspond with the network part.
maximum transmission unit (MTU)	The largest number of bytes in a packet—the maximum transmission unit of the port.
media	A substance that transmits data between ports; usually fiber optic cables or category 5 unshielded twisted pair (UTP) copper wires.
Media Access Control (MAC)	Arbitrates access to and from a shared medium.
MultiLink Trunking (MLT)	A method of link aggregation that uses multiple Ethernet trunks aggregated to provide a single logical trunk. A multilink trunk provides the combined bandwidth of multiple links and the physical layer protection against the failure of a single link.
multiplexing	Carriage of multiple channels over a single transmission medium; a process where a dedicated circuit is shared by multiple users. Typically, data streams intersperse on a bit or byte basis (time division), or separate by different carrier frequencies (frequency division).
Network Basic Input/Output System (NetBIOS)	An application programming interface (API) that augments the DOS BIOS by adding special functions for Local Area Networks (LAN).
next hop	The next hop to which a packet can be sent to advance the packet to the destination.
operation, administration, and maintenance (OA&M)	All the tasks necessary for providing, maintaining, or modifying switching system services.
Packet Capture Tool (PCAP)	A data packet capture tool that captures ingress and egress (on Ethernet modules only) packets on selected ports. You can analyze captured packets for troubleshooting purposes.
port	A physical interface that transmits and receives data.

prefix	A group of contiguous bits, from 0 to 32 bits in length, that defines a set of addresses.
Protocol Data Units (PDUs)	A unit of data that is specified in a protocol of a specific layer and that consists of protocol-control information of the specific layer and possibly user data of that layer.
Protocol Independent Multicast, Sparse Mode (PIM-SM)	PIM-SM is a multicast routing protocol for IP networks. PIM-SM provides multicast routing for multicast groups that can span wide-area and inter-domain networks, where receivers are not densely populated. PIM-SM sends multicast traffic only to those routers that belong to a specific multicast group and that choose to receive the traffic. PIM-SM adds a Rendezvous Point router to avoid multicast-data flooding. Use PIM-SM when receivers for multicast data are sparsely distributed throughout the network.
remote monitoring (RMON)	A remote monitoring standard for Simple Network Management Protocol (SNMP)-based management information bases (MIB). The Internetwork Engineering Task Force (IETF) proposed the RMON standard to provide guidelines for remote monitoring of individual LAN segments.
Reverse Address Resolution Protocol (RARP)	A protocol that maintains a database of mappings between physical hardware addresses and IP addresses.
reverse path checking (RPC)	Prevents packet forwarding for incoming IP packets with incorrect or forged (spoofed) IP addresses.
route flapping	An instability that is associated with a prefix, where the associated prefix routes can exhibit frequent changes in availability over a period of time.
route table manager (RTM)	Determines the best route to a destination based on reachability, route preference, and cost.
Routed Split MultiLink Trunking (RSMLT)	Provides full router redundancy and rapid failover in routed core SMLT networks and as RSMLT-edge in routed SMLT edge applications; eliminating routing protocol timer dependencies when network failures occur.
Routing Information Protocol (RIP)	A distance vector protocol in the IP suite, used by IP network-layer protocol, that enables routers in the same AS to exchange routing information by means of periodic updates. You often use RIP as a very simple interior gateway protocol (IGP) within small networks.
routing policy	A form of routing that is influenced by factors other than the default algorithmically best route, such as the shortest or quickest path.
Service Instance Identifier (I-SID)	The SPBM B-MAC header includes a Service Instance Identifier (I-SID) with a length of 24 bits. SPBM uses this I-SID to identify and transmit any

virtualized traffic in an encapsulated SPBM frame. SPBM uses I-SIDs to virtualize VLANs (Layer 2 Virtual Services Network [VSN]) or VRFs (Layer 3 Virtual Services Network [VSN]) across the MAC-in-MAC backbone. With Layer 2 VSNs, you associate the I-SID with a customer VLAN, which is then virtualized across the backbone. With Layer 3 VSNs, you associate the I-SID with a customer VRF, which is also virtualized across the backbone.

Shortest Path Bridging (SPB)

Shortest Path Bridging is a control Link State Protocol that provides a loop-free Ethernet topology. There are two versions of Shortest Path Bridge: Shortest Path Bridging VLAN and Shortest Path Bridging MAC. Shortest Path Bridging VLAN uses the Q-in-Q frame format and encapsulates the source bridge ID into the VLAN header. Shortest Path Bridging MAC uses the 802.1 ah MAC-in-MAC frame format and encapsulates the source bridge identifier into the B-MAC header.

Shortest Path Bridging MAC (SPBM)

Shortest Path Bridging MAC (SPBM) uses the Intermediate-System-to-Intermediate-System (IS-IS) link-state routing protocol to provide a loop-free Ethernet topology that creates a shortest-path topology from every node to every other node in the network based on node MAC addresses. SPBM uses the 802.1ah MAC-in-MAC frame format and encapsulates the source bridge identifier into the B-MAC header. SPBM eliminates the need for multiple overlay protocols in the core of the network by reducing the core to a single Ethernet-based link-state protocol, which can provide virtualization services, both layer 2 and layer 3, using a pure Ethernet technology base.

Simple Network Management Protocol (SNMP)

SNMP administratively monitors network performance through agents and management stations.

SMLT aggregation switch

One of two IST peer switches that form a split link aggregation group. It connects to multiple wiring closet switches, edge switches, or customer premise equipment (CPE) devices.

spanning tree

A simple, fully-connected active topology formed from the arbitrary physical topology of connected bridged Local Area Network components by relaying frames through selected bridge ports. The protocol parameters and states that are used and exchanged to facilitate the calculation of the active topology and to control the bridge relay function.

Spanning Tree Group (STG)

A collection of ports in one spanning-tree instance.

time-to-live (TTL)

The field in a packet used to determine the valid duration for the packet. The TTL determines the packet lifetime. The system discards a packet with a TTL of zero.

Trivial File Transfer Protocol (TFTP)	A protocol that governs transferring files between nodes without protection against packet loss.
trunk	A logical group of ports that behaves like a single large port.
Universal/Local (U/L)	Determines global and local link addresses; used with the Extended Unique Identifier (EUI).
User Datagram Protocol (UDP)	In TCP/IP, a packet-level protocol built directly on the Internet Protocol layer. TCP/IP host systems use UDP for application-to-application programs.
variable-length subnet masking (VLSM)	Allocating IP addressing resources to subnets according to their individual need rather than some general network-wide rule.
virtual router	An abstract object managed by the Virtual Router Redundancy Protocol (VRRP) that acts as a default router for hosts on a shared LAN.
virtual router forwarding (VRF)	Provides traffic isolation between customers operating over the same node. Each virtual router emulates the behavior of a dedicated hardware router by providing separate routing functionality, and the network treats each VRF as a separate physical router.
Virtual Router Redundancy Protocol (VRRP)	A protocol used in static routing configurations, typically at the edge of the network. This protocol operates on multiple routers on an IP subnet and elects a primary gateway router. When the primary router fails, a backup router is quickly available to take its place.
Voice over IP (VOIP)	The technology that delivers voice information in digital form in discrete packets using the Internet Protocol (IP) rather than the traditional circuit-committed protocols of the public switched telephone network (PSTN).