



Virtual Services Platform 9010AC Chassis Installation

CAUTION: Before you set up and operate your Avaya™ equipment, read and follow the safety instructions in *Installing the Avaya Virtual Services Platform 9000 (NN46250-304)*.

PRÉCAUTION: Avant d'installer d'utiliser votre ordinateur Avaya™, veuillez lire et suivre les directives de sécurité qui se trouvent dans le *Installing the Avaya Virtual Services Platform 9000 (NN46250-304)*.

PRECAUCIÓN: Antes de configurar y poner en funcionamiento su equipo Avaya™, lea y siga las instrucciones de seguridad que se encuentran en *Installing the Avaya Virtual Services Platform 9000 (NN46250-304)*.

Start Here

Use this information to flush-mount the Virtual Services Platform 9010AC in the equipment rack (the front of the chassis is flush with the rack). If you use a mid-mount installation, see *Installing the Avaya Virtual Services Platform 9000, NN46250-304*. For the latest information about a specific release, see *Release Notes for Avaya Virtual Services Platform 9000, NN46250-401*.

Note: The CP modules in the VSP 9010AC chassis must use a minimum software version of Release 3.4.

Prerequisites

Complete site preparation for installation clearance and grounding requirements for the chassis. Ensure that your environment meets the necessary requirements. For more information, see *Installing the Avaya Virtual Services Platform 9000, NN46250-304*.

Plan ahead to have three people present to lift the chassis. The chassis weighs in excess of 141 lb (64 kg) and requires a minimum of three people to lift. Always use a mechanical lift when one is available.

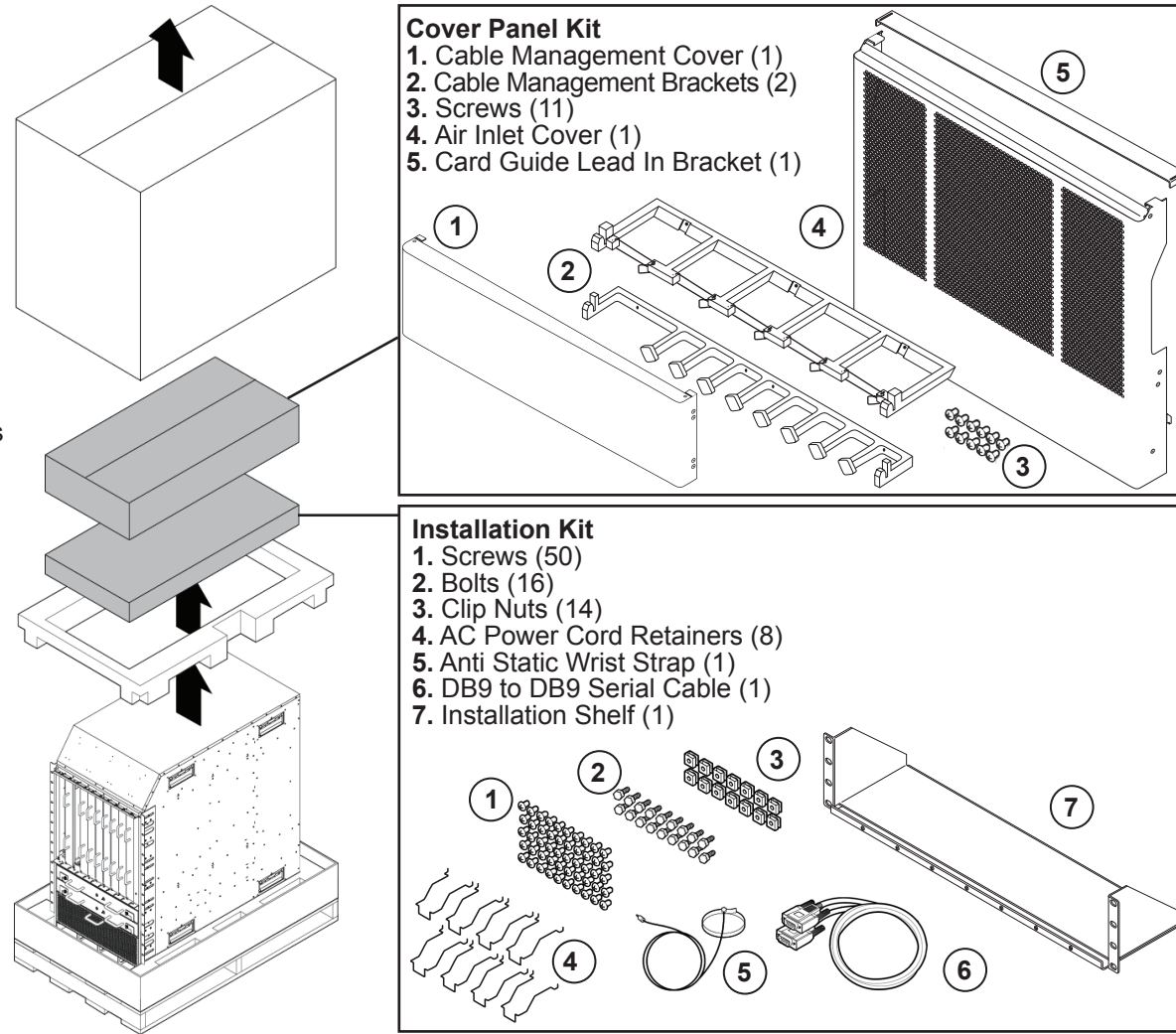
Gather the following tools:

- Phillips #2 screwdriver or Flat screwdriver
- 10mm Hex driver
- Mechanical lift, if available

1 Unpack the shipping container

Remove the equipment in the shipping container. In addition to the chassis, the shipping container includes an installation kit and a cover panel kit.

Note: The installation kit includes extra screws and bolts to support a variety of installation options. You do not need to use all of the hardware provided.

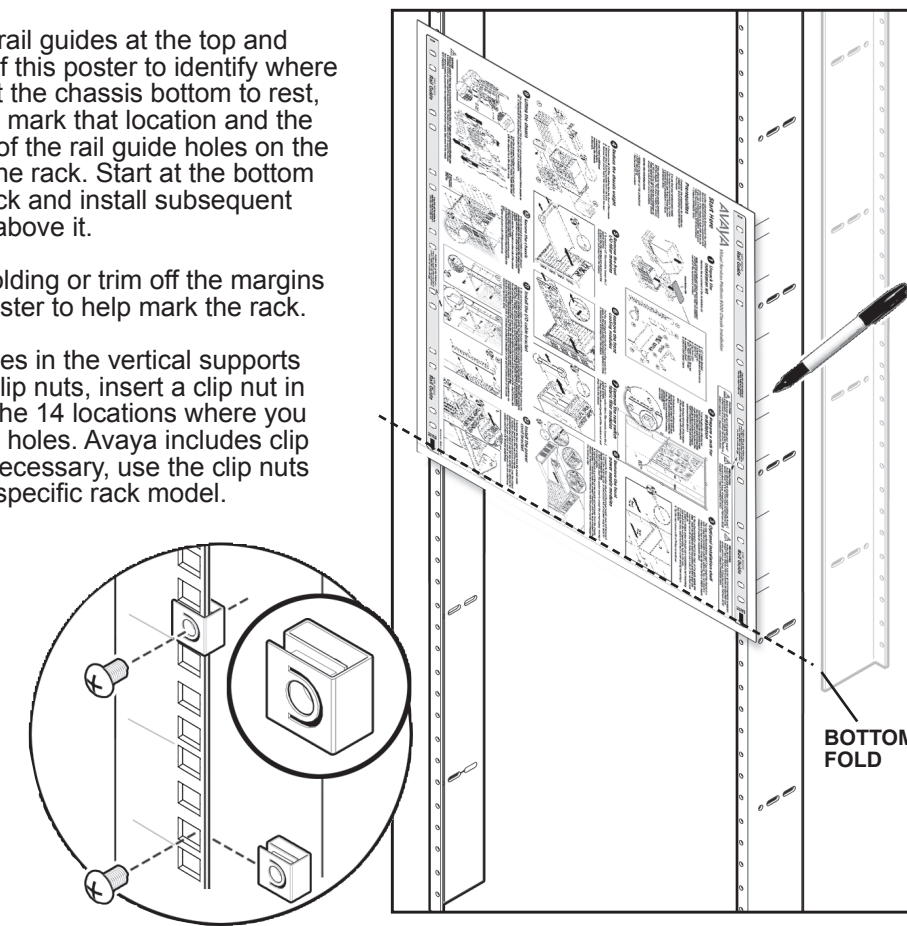


2 Prepare a rack for installation

1. Use the rail guides at the top and bottom of this poster to identify where you want the chassis bottom to rest, and then mark that location and the location of the rail guide holes on the front of the rack. Start at the bottom of the rack and install subsequent chassis above it.

Note: Folding or trim off the margins of the poster to help mark the rack.

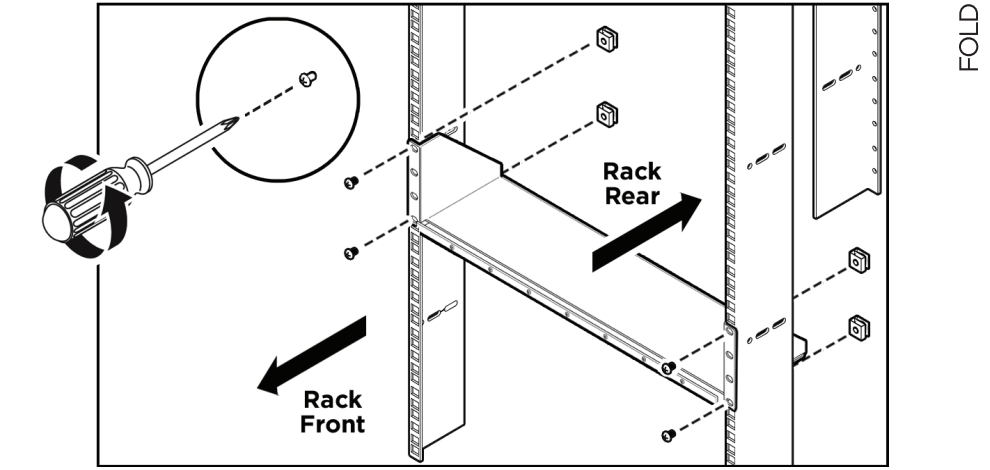
2. If the holes in the vertical supports require clip nuts, insert a clip nut in each of the 14 locations where you mark the holes. Avaya includes clip nuts. If necessary, use the clip nuts for your specific rack model.



3 Installing the installation shelf

Use the installation shelf to install the chassis in a rack. You must use this shelf, or one of your own, to support the chassis because you cannot pass the chassis through a rack frame with the chassis handles extended. You can also mount the chassis on top of another Virtual Services Platform 9000 instead of using an installation shelf.

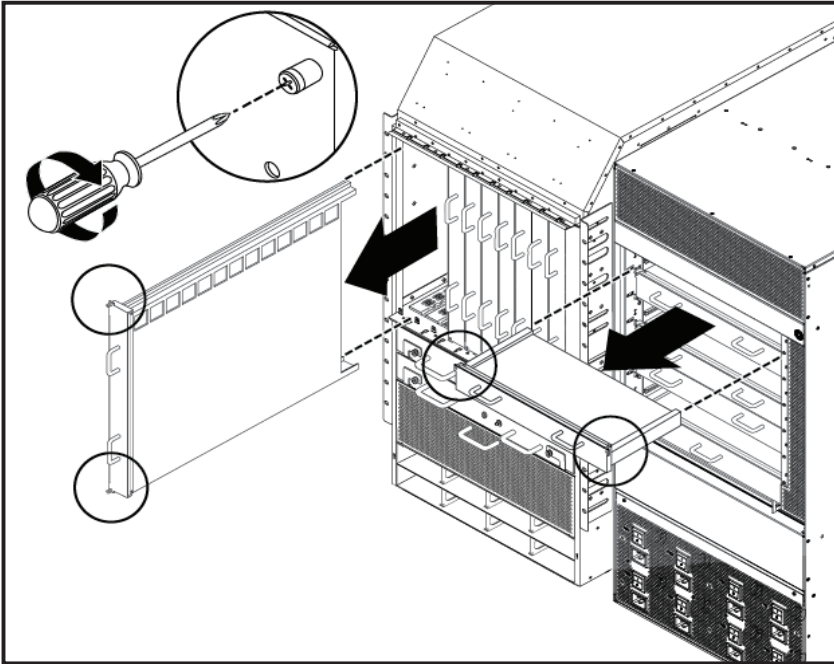
1. Place the installation shelf at the mark on the rack, inside the rails. Hold the installation shelf in position, and then align the mounting rail with the two holes on each side of the vertical rack support.
2. Insert a Phillips screw through each installation shelf mounting hole, and into the corresponding hole in the rack.
3. If using hex nuts, add a nut to each screw, and then tighten using a hex wrench.
4. Tighten each screw with a Phillips screwdriver.



4 Remove the filler modules

Remove the 8 filler modules from the front and 4 filler modules from the back to reduce the chassis weight. **Do not install additional components before you mount the chassis in the rack.**

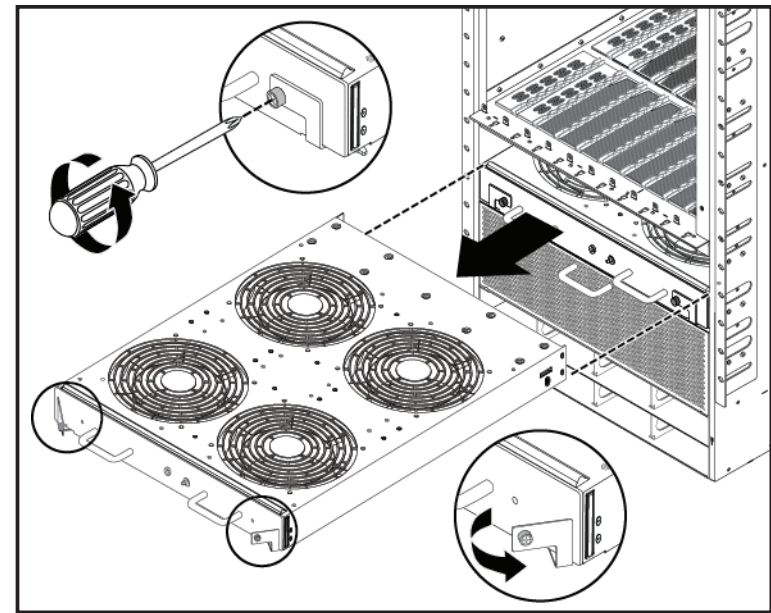
1. To unseat a filler module, loosen the 2 captive screws.
2. Grasp the two handles, and then gently pull the module out and away from the chassis.



5 Remove the front cooling modules

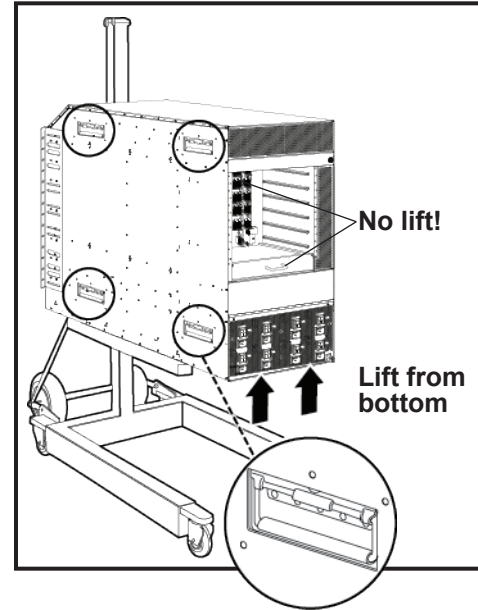
Remove both cooling modules to reduce the chassis weight. **Do not install additional components before you mount the chassis in the rack.**

1. Loosen the 2 captive screws.
2. Rotate the tabs to release the cooling module.
3. Grasp the two handles, and then gently pull the module out and away from the chassis.

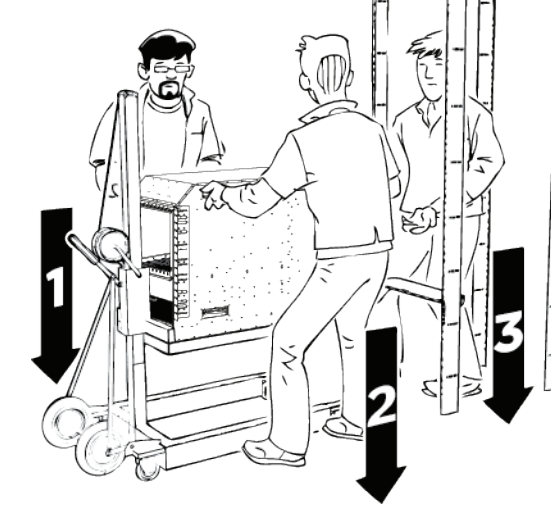


6 Lifting the chassis

The chassis weighs in excess of 141 lb (64 kg) and requires a minimum of three people to lift. Always use a mechanical lift when one is available.



Use the handles that swing out from the top and bottom of the chassis sides to lift the chassis. To use the handles, swing the handle up and out from the chassis. **From the rear: Lift the chassis from the bottom only.**

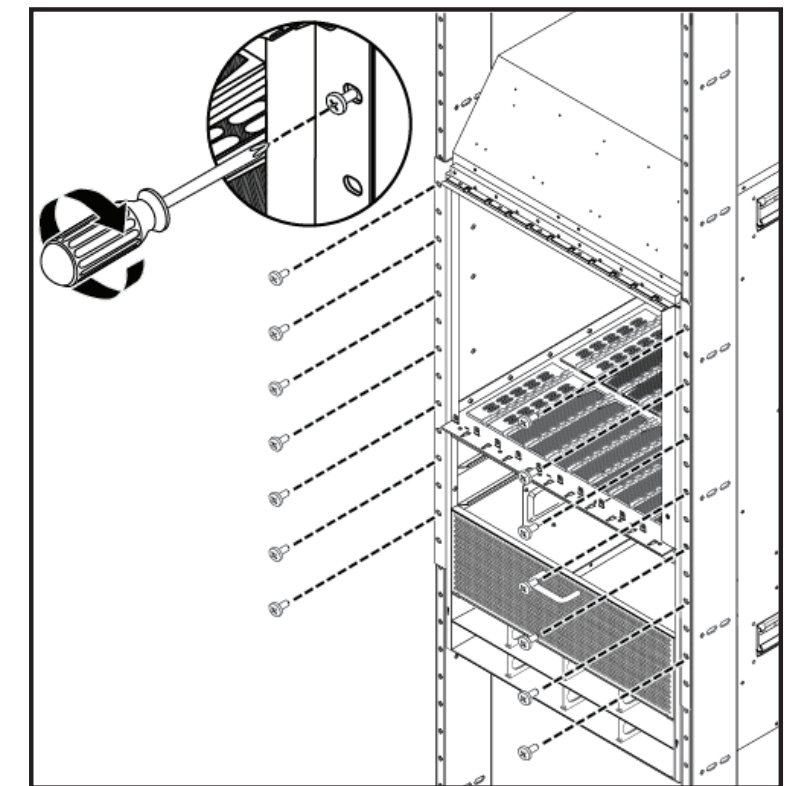


WARNING Reduce the weight of the chassis as much as possible before you lift it. **Always use a mechanical lift when one is available.** Ensure you have at least three people to lift the chassis. Use two people to lift the chassis at the sides and a third person to support the chassis from behind the rack, as you position the chassis on the shelf and hold it in place. Take care to lift the chassis from the bottom.

7 Secure the chassis

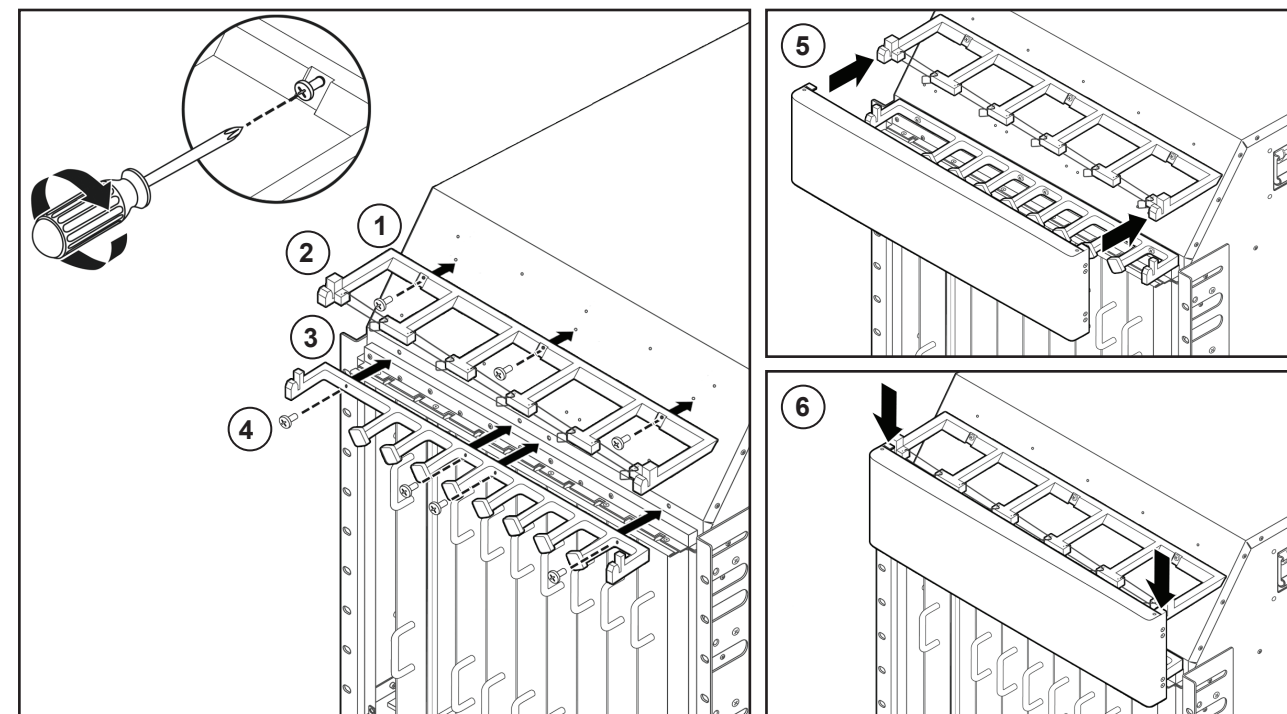
1. Hold the chassis in position and align the flanged end of the chassis mounting bracket with the holes on either side of the vertical rack support.
2. Ensure that the hole pairs on either side of the rack vertical supports match horizontally.
3. Insert Phillips screws through each hole on the mounting bracket in the 7 screw positions in the flange and rack.
4. Tighten each screw with a Phillips screwdriver.

Note: Reinstall the filler modules and cooling modules after you secure the chassis in a rack. Do not operate the chassis with empty slots.



8 Attaching the cable management

1. Align the holes in the upper cable management bracket to the holes on the top of the chassis front.
2. Use the screws to attach the bracket to the chassis.
3. Align the holes in the lower cable management bracket to the holes on the top of the chassis front.
4. Use the screws to attach the bracket to the chassis.
5. Align the hooks on the cover with the slots on the cable management brackets.
6. Insert the hooks into the slots to secure the cover.



9 Power supply modules

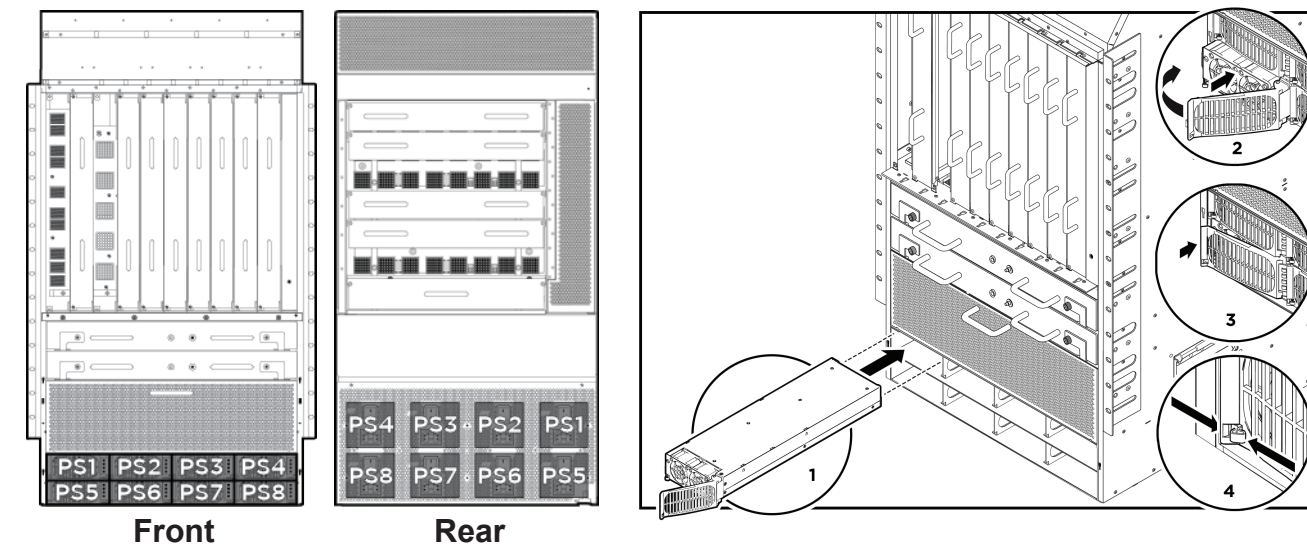
Remove the power supply filler panel.

Installation:

1. The power supplies only install one way. They are blocked to prevent any accidental upside-down installation. **If you meet resistance when you attempt to insert a module, you have the module upside-down.** Use two hands and carefully slide the power supply in until the lever contacts the chassis.
2. Gently rotate the lever closed to seat the power supply and engage the retaining clip.

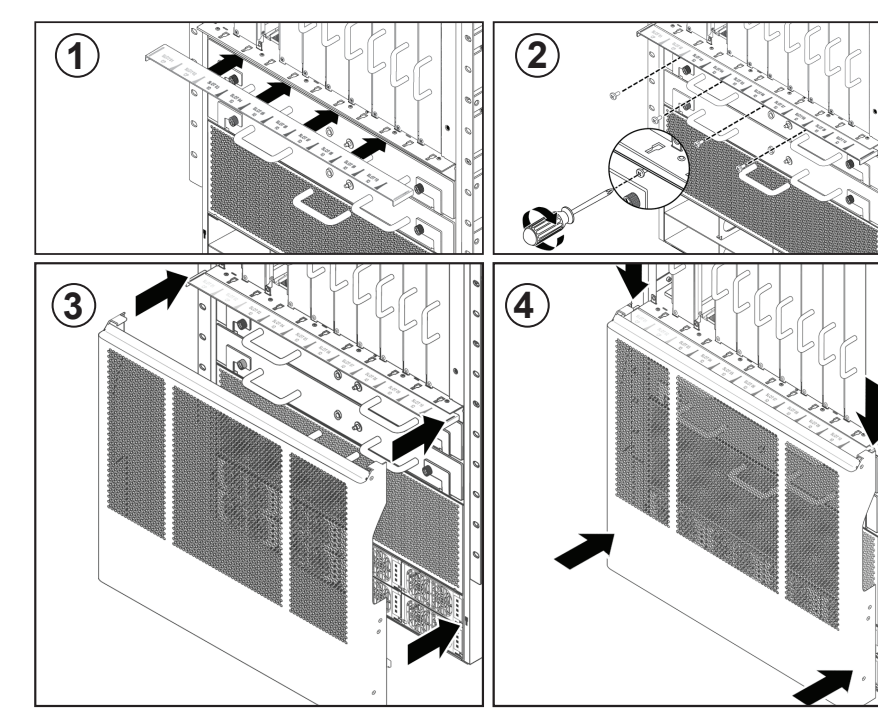
Removal:

1. Pinch the retaining clip on the bottom left of the power supply to release the ejector lever.
2. Gently rotate open the ejector lever to unseat the power supply, moving it forward slightly.
3. Use both hands to pull the power supply out and away from the chassis.



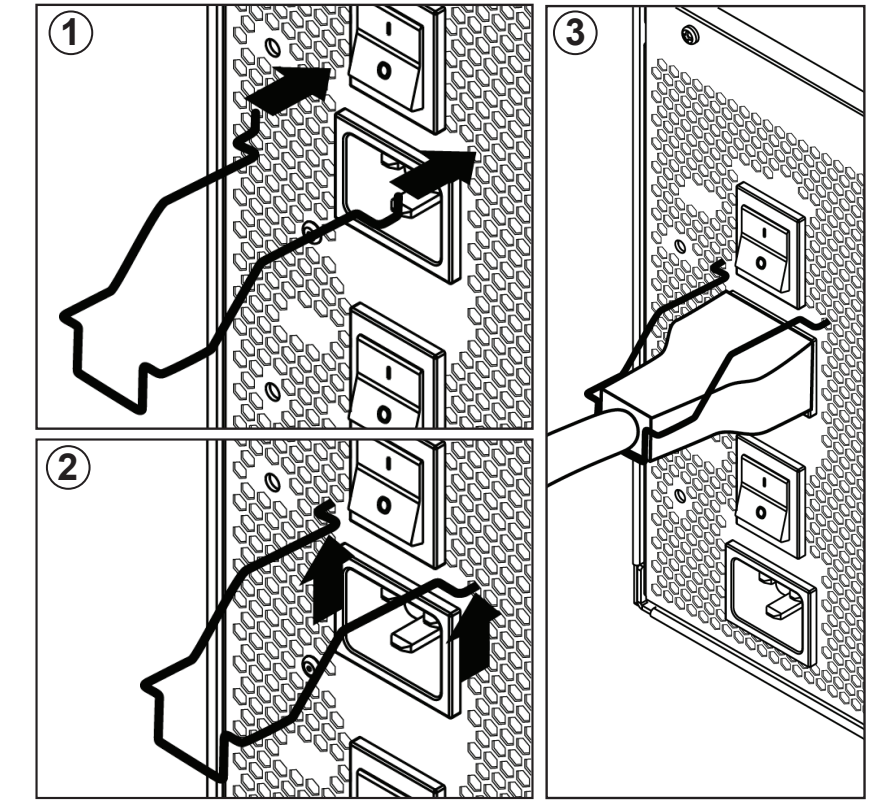
10 Attaching the air inlet cover

1. Align the holes in the Card Guide Lead In Bracket with the holes in the chassis.
2. Use the screws to attach the Card Guide Lead In Bracket to the chassis.
3. Align the hooks on the cover with the slots on the mounting bracket and with the keyholes on the chassis.
4. Insert the hooks into the slots and keyholes to secure the cover to the chassis.



11 Attaching the power cord retainer

1. Insert the L-shaped ends of the retainer into the holes on each side of the power switch.
2. Push the L-shaped ends up to fully engage the retainer.
3. Place the power cord in the notch of the retainer.



700506751