

53-1003031-02  
09 December, 2013



# **Multi-Service IronWare**

---

## **Multiprotocol Label Switch (MPLS) Configuration Guide**

Supporting Multi-Service IronWare R05.6.00

**BROCADE**

## Copyright © 2013 Brocade Communications Systems, Inc. All Rights Reserved.

Brocade, Brocade Assurance, the B-wing symbol, BigIron, DCX, Fabric OS, FastIron, MLX, NetIron, SAN Health, ServerIron, TurboIron, VCS, and VDX are registered trademarks, and AnyIO, Brocade One, CloudPlex, Effortless Networking, ICX, NET Health, OpenScript, and The Effortless Network are trademarks of Brocade Communications Systems, Inc., in the United States and/or in other countries. Other brands, products, or service names mentioned may be trademarks of their respective owners.

Notice: This document is for informational purposes only and does not set forth any warranty, expressed or implied, concerning any equipment, equipment feature, or service offered or to be offered by Brocade. Brocade reserves the right to make changes to this document at any time, without notice, and assumes no responsibility for its use. This informational document describes features that may not be currently available. Contact a Brocade sales office for information on feature and product availability. Export of technical data contained in this document may require an export license from the United States government.

The authors and Brocade Communications Systems, Inc. shall have no liability or responsibility to any person or entity with respect to any loss, cost, liability, or damages arising from the information contained in this book or the computer programs that accompany it.

The product described by this document may contain "open source" software covered by the GNU General Public License or other open source license agreements. To find out which open source software is included in Brocade products, view the licensing terms applicable to the open source software, and obtain a copy of the programming source code, please visit <http://www.brocade.com/support/oscd>.

## Brocade Communications Systems, Incorporated

Corporate and Latin American Headquarters  
Brocade Communications Systems, Inc.  
130 Holger Way  
San Jose, CA 95134  
Tel: 1-408-333-8000  
Fax: 1-408-333-8101  
E-mail: [info@brocade.com](mailto:info@brocade.com)

Asia-Pacific Headquarters  
Brocade Communications Systems China HK, Ltd.  
No. 1 Guanghua Road  
Chao Yang District  
Units 2718 and 2818  
Beijing 100020, China  
Tel: +8610 6588 8888  
Fax: +8610 6588 9999  
E-mail: [china-info@brocade.com](mailto:china-info@brocade.com)

European Headquarters  
Brocade Communications Switzerland Sàrl  
Centre Swissair  
Tour B - 4ème étage  
29, Route de l'Aéroport  
Case Postale 105  
CH-1215 Genève 15  
Switzerland  
Tel: +41 22 799 5640  
Fax: +41 22 799 5641  
E-mail: [emea-info@brocade.com](mailto:emea-info@brocade.com)

Asia-Pacific Headquarters  
Brocade Communications Systems Co., Ltd. (Shenzhen WFOE)  
Citic Plaza  
No. 233 Tian He Road North  
Unit 1308 - 13th Floor  
Guangzhou, China  
Tel: +8620 3891 2000  
Fax: +8620 3891 2111  
E-mail: [china-info@brocade.com](mailto:china-info@brocade.com)

## Document History

Title	Publication number	Summary of changes	Date
<i>Multi-Service IronWare Multiprotocol Label Switch (MPLS) Configuration Guide Guide</i>	53-1003031-01	Release 05.5.00c document updated with enhancements in Release 05.6.00	30 September 2013
<i>Multi-Service IronWare Multiprotocol Label Switch (MPLS) Configuration Guide Guide</i>	53-1003031-02	Release 05.6.00 document updated with enhancements in Release 05.6.00a	09 December 2013

# Contents

---

## About This Document

In this chapter .....	xv
Audience .....	xv
Supported hardware and software .....	xvi
Supported software .....	xvi
Document conventions .....	xvii
Text formatting .....	xvii
Notes, cautions, and danger notices .....	xvii
Notice to the reader .....	xviii
Related publications .....	xviii
Getting technical help or reporting errors .....	xix

## Chapter 1

### Configuring MPLS Traffic Engineering

Overview .....	1
IETF RFC and Internet draft support .....	4
MPLS .....	4
OSPF .....	4
IS-IS .....	4
How MPLS works .....	4
How packets are forwarded through an MPLS domain .....	5
Using MPLS in traffic engineering .....	9
CSPF calculates a traffic-engineered path .....	10
OSPF-TE Link State Advertisements for MPLS interfaces .....	11
IS-IS Link State Protocol data units with TE extensions for MPLS interfaces .....	12
Traffic engineering database .....	13
LSP attributes and requirements used for traffic engineering .....	13
How CSPF calculates a traffic-engineered path .....	14
How RSVP establishes a signaled LSP .....	15
MPLS Point-to-Multipoint Traffic Engineering .....	23
RSVP soft preemption .....	29
Configuring RSVP soft preemption .....	31
Detailed command information .....	31
Display output .....	32
Scalability .....	36
Syslog messages .....	37

Auto-bandwidth for RSVP LSPs .....	37
Configuring auto-bandwidth feature at the global level .....	39
Configuring per-LSP adjustment interval .....	39
Configurable table-based absolute adjustment-threshold .....	40
Configuring per-LSP range of bandwidth values .....	43
Underflow-limit .....	44
Configuring overflow limit to enable premature adjustment .....	44
Configuring the monitoring mode .....	45
Manually triggered bandwidth allocation adjustments .....	45
Clearing auto-bandwidth counters .....	46
Sample-history .....	46
Displaying auto-bandwidth configurations .....	46
Commands .....	46
MPLS fast reroute using one-to-one backup .....	61
MPLS Fast Reroute using facility backup over a bypass LSP .....	63
Facility backup over an adaptive bypass LSP .....	67
Adaptive Fast Reroute (FRR) and Global Revertiveness .....	69
Configuring FRR on an LSP to be adaptive .....	70
Global Revertiveness .....	71
Displaying global revertiveness information .....	73
MPLS CSPF fate-sharing group .....	73
Configuration considerations when using CSPF fate-sharing group information .....	74
Configuring a MPLS CSPF fate-sharing group .....	75
Deleting CSPF groups .....	77
MPLS traffic engineering flooding reduction .....	83
Global configuration .....	83
Interface specific configuration .....	84
Configuring the periodic flooding timer .....	84
MPLS over virtual Ethernet interfaces .....	85
Configuration considerations before enabling MPLS on a VE interface .....	86
Configuring MPLS .....	90
Enabling MPLS .....	90
LSP accounting statistics for single-hop LSP routes .....	103
Global RSVP parameters .....	106
RSVP message authentication .....	107
RSVP reliable messaging .....	108
RSVP refresh reduction .....	109
RSVP IGP synchronization .....	111
RSVP IGP synchronization for Remote Links .....	114
Configuring MPLS on a VE interface .....	120
RSVP message authentication on an MPLS VE interface .....	123
Setting up signaled LSPs .....	124
Configuring signaled LSP parameters .....	126

FRR bypass LSPs.....	139
Link protection for FRR.....	142
Command Section.....	144
Configuring an adaptive LSP .....	149
Static transit LSP.....	151
Show Commands.....	156
Configuring MPLS Fast Reroute using one-to-one backup.....	161
Protecting MPLS LSPs through a bypass LSP .....	163
Configuring a bypass LSP to be adaptive .....	165
Dynamic Bypass LSPs.....	167
Configuration considerations .....	170
Creating a dynamic bypass LSP .....	171
Configuration steps .....	173
Configuring the dynamic bypass LSP .....	173
Network diagram .....	173
Globally enabling dynamic bypass .....	174
Enabling dynamic bypass per interface .....	176
Sample configurations.....	183
Supported scenarios .....	183
RSVP LSP with FRR .....	190
Specifications.....	190
Liberal bypass selection and liberal dynamic bypass .....	191
Backward compatibility .....	197
Limitations .....	197
Upgrade and downgrade considerations.....	198
Commands .....	198
IP Traceroute over MPLS .....	204
Configuration examples.....	211
Understanding traceroute label information .....	215
MPLS LDP-IGP synchronization .....	215
Configuring MPLS LDP-IGP synchronization.....	217
Configuring MPLS LDP-IGP synchronization globally.....	217
Enabling LDP sync on an interface.....	218
Displaying MPLS and RSVP information .....	223
Displaying information about MPLS-enabled interfaces....	223
Displaying MPLS statistics .....	225
Displaying MPLS summary information .....	233

Displaying the Traffic Engineering database.....	233
Displaying a traffic engineering path to a destination .....	236
Displaying signaled LSP status information.....	238
Displaying path information .....	242
Displaying the MPLS routing table .....	244
Displaying the MPLS forwarding information.....	245
Displaying the P2MP hardware forwarding information ....	246
Displaying RSVP information.....	246
Displaying information about OSPF-TE LSAs .....	258
Displaying information about IS-IS LSPs with TE extensions.....	259
Displaying MPLS Fast Reroute information .....	259
Displaying MPLS configuration information.....	263
Transit LSP statistics.....	267
Displaying MPLS statistics .....	268
Clearing MPLS statistics .....	270
MPLS sample configurations .....	272
LSP with redundant paths.....	272
Example of MPLS Fast Reroute configuration .....	274
Commands .....	292

## Chapter 2

### Configuring Label Distribution Protocol (LDP)

LDP overview .....	295
Configuring LDP on an interface .....	298
Configuring an option of FEC type for auto-discovered VPLS peers.....	298
LDP Inbound-FEC filtering.....	299
Configuring LDP inbound FEC filtering .....	299
LDP outbound FEC filtering .....	307
Limitations and pre-requisites .....	307
Upgrade and downgrade considerations.....	307
Backward compatibility .....	307
Configuration steps .....	308
Configuration example.....	308
Commands .....	309
Label withdrawal delay.....	326
LDP ECMP for transit LSR.....	329
Changing the maximum number of LDP ECMP paths.....	330
MPLS OAM support for LDP ECMP .....	331
Display changes to commands for LDP ECMP.....	331
LDP ECMP LER .....	333
Overview .....	333
Configuration considerations .....	333
Commands .....	334

Setting the LDP Hello Interval and Hold Timeout values . . . . .	345
Setting the LDP Hello interval values . . . . .	346
Setting the LDP hold time sent to adjacent LSRs . . . . .	347
Determining the LDP Hold Time on an MPLS interface . . . . .	348
LDP message authentication . . . . .	349
Resetting LDP neighbors . . . . .	350
MPLS LDP-IGP synchronization . . . . .	352
Configuring MPLS LDP-IGP Synchronization . . . . .	354
Configuring MPLS LDP-IGP synchronization globally . . . . .	354
Enabling LDP sync on an interface . . . . .	355
LDP Graceful Restart (GR) . . . . .	360
MPLS failover support for VPLS . . . . .	361
LDP failover support for transit . . . . .	361
Graceful restart procedure . . . . .	361
Session down detection on GR helper . . . . .	362
Graceful restart scenarios . . . . .	363
Ingress LSR specific processing . . . . .	363
Transit LSR specific processing . . . . .	364
Graceful Restart helper-only mode . . . . .	364
Configuring LDP graceful restart (GR) . . . . .	364
LDP Session keepalive timeout configurations . . . . .	366
Configurable LDP router ID overview . . . . .	368
Background . . . . .	368
Release NetIron R05.5.00 LDP LSR-ID requirements . . . . .	368
Limitations . . . . .	370
Upgrade and downgrade considerations . . . . .	370
LDP over RSVP (for transit LSR only) . . . . .	370
Enabling LDP over RSVP . . . . .	371
Configuring a targeted peer address . . . . .	373
Displaying targeted peer addresses . . . . .	373
TTL propagation for LDP over RSVP packets . . . . .	374
Enabling TTL propagation . . . . .	375
Class of Service (CoS) treatment for LDP over RSVP . . . . .	375
Setting the backup retry interval . . . . .	375
RSVP-TE Hello . . . . .	376
Vital Fractions for RSVP-TE Hello . . . . .	377
Risk assessment . . . . .	378
Configuration steps . . . . .	379
Backward compatibility . . . . .	379
Commands . . . . .	380

Displaying LDP information .....	400
Displaying the LDP version .....	400
Displaying information about LDP-created LSPs .....	401
Displaying LDP tunnel LSP information .....	402
Displaying the contents of the LDP database .....	404
Displaying LDP session information .....	405
Displaying LDP neighbor connection information .....	409
Displaying information about LDP-enabled interfaces .....	411
Displaying information about specified LDP-enabled interface .....	411
Displaying the LDP peer information .....	412
Display considerations for LDP FEC information .....	414
Displaying LDP FEC information .....	415
Displaying information for a specified LDP FEC type .....	415
Displaying LDP FEC summary information .....	416
Displaying the LDP FEC VC information .....	417
Displaying information for a specified LDP FEC VC .....	418
Displaying the LDP packet statistics .....	422
Clearing the LDP packet statistics .....	423
Sample LDP configurations .....	423
Router R1 .....	423
Router R2 .....	424
Router R3 .....	424
Sample LDP configuration with VLL .....	425
Router R1 .....	425
Router R2 .....	426
Router R3 .....	427
MPLS over GRE tunnel .....	427
LDP LSP over GRE tunnel .....	428
LDP VPLS over a GRE tunnel .....	429
LDP over a GRE tunnel within an encrypted network .....	430
Configuration example .....	431
Deleting a GRE tunnel configuration .....	433
Viewing MPLS over GRE information and statistics .....	433
Commands .....	435
.....	438

**Chapter 3      Configuring MPLS Virtual Private LAN Services**

Overview .....	449
How VPLS works .....	450
Configuring VPLS instances .....	453
Limitations .....	453
Creating a VPLS instance .....	454
Specifying VPLS peers .....	457
Setting the VPLS VC mode .....	458
QoS for VPLS traffic .....	466
Specifying an LSP to reach a peer within a VPLS .....	468
LSP load balancing for VPLS traffic .....	468



VPLS LSP load balancing . . . . .	470
Limitations and prerequisites . . . . .	470
Existing feature affected by this feature . . . . .	470
Assumptions and dependencies. . . . .	470
Commands . . . . .	471
Specifying the endpoint of a VPLS instance . . . . .	474
Flooding Layer 2 BPDUs in VPLS . . . . .	479
Specifying the VPLS VC type . . . . .	479
Configuring VPLS tagged mode. . . . .	480
VPLS CPU protection . . . . .	483
VPLS Broadcast, multicast, and unknown unicast packet limiting . . . . .	484
Layer 2 control traffic behavior on VPLS endpoints . . . . .	485
802.1x Protocol packets on a VPLS endpoint . . . . .	486
Cisco Discovery Protocol packets . . . . .	486
Foundry Discovery Protocol packets. . . . .	486
Configuring VPLS endpoint over FDP/CDP enabled interface. . . . .	486
Uni-directional Link Detection packets. . . . .	487
Flooding Layer 2 BPDUs with a VPLS instance . . . . .	487
Specifying a VPLS MTU . . . . .	488
Configuring VPLS MTU enforcement. . . . .	489
Configuring VPLS local switching . . . . .	489
Enabling MPLS VPLS traps . . . . .	490
Disabling Syslog messages for MPLS VPLS . . . . .	490
VPLS extended counters. . . . .	490
Displaying VPLS extended counters . . . . .	491
Clearing VPLS extended counters . . . . .	492
Local VPLS . . . . .	493
Example Local VPLS configuration . . . . .	494
CoS behavior for Local VPLS. . . . .	494
Displaying VPLS information . . . . .	496
Display considerations for VPLS information. . . . .	497
Displaying VPLS summary information. . . . .	497
Displaying information about VPLS instances . . . . .	498
Displaying detailed information about VPLS instances. . . . .	498
Displaying information about a specified VPLS ID or VPLS name . . . . .	502
Displaying VPLS CPU protection configuration status. . . . .	505
Displaying information about VPLS instances that are not operational. . . . .	505
Displaying the contents of the VPLS MAC database . . . . .	506
Displaying VPLS traffic statistics. . . . .	508
Clearing VPLS traffic statistics . . . . .	510

VPLS LDP .....	511
Displaying the VPLS peer FSM state with LDP support. ....	511
VC type mismatched .....	511
MTU mismatched .....	512
No remote VC label .....	512
LDP session down .....	513
No local label resource .....	513
MPLS LDP show commands .....	514
Using the show mpls ldp vc x command .....	514
VPLS MAC age timer configuration overview .....	514
Issues with timers .....	515
Solution .....	515
The MAC age timer aging operation .....	516
Backward compatibility .....	516
Upgrade and downgrade considerations .....	516
Scaling support .....	516
Commands .....	517
.....	519

## Chapter 4

### Configuring MPLS Virtual Leased Line

Overview .....	523
How MPLS VLL works .....	525
MPLS VLL packet encoding .....	526
Trunk load balancing of VLL traffic .....	526
QoS for VLL traffic .....	527
CoS behavior for VLL tagged mode and VLL raw mode ....	529
Configuring MPLS VLLs .....	533
Creating a VLL .....	533
Specifying tagged or raw mode for a VLL .....	534
Specifying a VLL peer .....	535
Specifying a VLL endpoint .....	535
Configuring VLL endpoint over FDP/CDP enabled interface.	536
Enabling VLL MTU enforcement (optional) .....	540
Specifying a VLL MTU .....	541
Generating traps for VLLs .....	541
Transparent forwarding of L2 and L3 protocols on a VLL for CES and CER .....	542
VLL extended counters .....	543
Displaying VLL extended counters .....	544
Clearing VLL extended counters .....	545
MPLS VLL behavior with other features .....	546
sFlow .....	546
IFL CAM .....	546
Layer 2 ACLs .....	547

Displaying MPLS VLL information .....	547
Displaying information about MPLS VLLs .....	547
Displaying detailed information about MPLS VLLs .....	548
Displaying LDP information .....	552
Displaying VLL endpoint statistics .....	554
Clearing Local VLL traffic statistics .....	555
Sample MPLS VLL configuration .....	555
Router R1 .....	556
Router R2 .....	557
Router R3 .....	557
Local VLL .....	558
Local VLL configuration examples .....	559
Local VLL QoS .....	562
CoS behavior for Local VLL .....	563
Configuring Local VLL .....	564
Local VLL extended counters .....	567
Displaying Local VLL extended counters .....	568
Clearing Local VLL extended counters .....	569
Displaying Local VLL information .....	570
Displaying information about Local VLLs .....	570
Displaying Local VLL endpoint statistics .....	572
Enabling MPLS Local VLL traps .....	573
Disabling Syslog messages for MPLS VLL-local and VLL .....	574
VLL raw-pass-through overview .....	574
.....	575
Packet handling behavior .....	575
Backward compatibility .....	577
Upgrade and downgrade considerations .....	577
Scaling support .....	577
Customer requirements .....	577
Commands .....	578
.....	579

## Chapter 5

### IP over MPLS

BGP shortcuts .....	584
Key algorithms .....	584
Examples of next-hop MPLS .....	585
LDP route injection .....	590
Considerations when using LDP route injection .....	591
LDP route injection example .....	591
Displaying routes through LSP tunnels .....	593
Using traffic-engineered LSPs within an AS .....	593
IS-IS shortcuts over an LSP tunnel .....	594
Creating OSPF shortcuts over an LSP tunnel .....	594

BGP MPLS metric follow IGP .....	595
Feature information .....	596
Limitation .....	596
Configuring BGP next-hop IGP cost .....	596
Displaying show command .....	597
IS-IS shortcuts .....	597
Overview .....	597
Determining the cost of an IS-IS shortcut .....	597
Configuration notes .....	599
Configuration tasks .....	600
Example configurations .....	602
Clearing IS-IS shortcuts .....	604
Ignore LSP metric .....	605
Show command support .....	606
ECMP forwarding for IP over MPLS .....	609
QoS mapping between IP packets and MPLS .....	610
IP over MPLS statistics .....	610
Displaying packet counts per	
Forward Equivalence Class (FEC) .....	610

## Chapter 6

### Configuring BGP or MPLS VPNs

Overview .....	613
What is a BGP or MPLS VPN .....	615
IETF RFC and Internet Draft support .....	616
BGP or MPLS VPN components and what they do .....	617
BGP or MPLS VPN operation .....	618
Creating routes in a BGP or MPLS VPN .....	618
Routing a packet through a BGP or MPLS VPN .....	619

Configuring BGP VPNs on a PE. . . . .	620
Defining a VRF routing instance . . . . .	621
Assigning a Route Distinguisher to a VRF . . . . .	621
Defining IPv4 or IPv6 address families of a VRF . . . . .	622
Defining automatic route filtering. . . . .	622
Assigning a VRF routing instance to an interface . . . . .	623
Assigning a VRF routing instance to a LAG interface . . . . .	623
Setting up cooperative route filtering. . . . .	624
Importing and exporting route maps . . . . .	624
Defining an extended community for use with a route map. . . . .	625
Creating a VPNv4 route reflector . . . . .	626
Configuring BGP VRF load sharing . . . . .	627
ECMP forwarding for IP VPN . . . . .	627
Configuring autonomous system number override . . . . .	628
Configuring a PE to allow routes with its AS number. . . . .	628
Setting up LSPs per VRF . . . . .	629
Configuring OSPF sham links . . . . .	630
Adding a static ARP entry for a VRF . . . . .	633
Configuring IP TTL to MPLS TTL propagation in an IPVPN. . . . .	634
Configuring a static route within the VRF context . . . . .	636
Configuring an IP Static interface route across VRFs . . . . .	636
Configuring a backup Virtual Router for VRF using VRRPE. . . . .	636
Ping and Traceroute for layer-3 VPNs. . . . .	637
Generating traps for VRFs. . . . .	638

Displaying BGP or MPLS VPNv4 information. . . . .	639
Displaying VPNv4 route information. . . . .	640
Displaying VPNv4 route information for a specified IP address. . . . .	642
Displaying VPNv4 attribute entries information. . . . .	643
Displaying VPNv4 dampened paths information. . . . .	644
Displaying VPNv4 filtered routes information . . . . .	644
Displaying VPNv4 Flap statistics information . . . . .	644
Displaying VPNv4 route distinguisher information . . . . .	645
Displaying VPNv4 neighbor information. . . . .	646
Displaying advertised routes for a specified VPNv4 neighbor . . . . .	653
Displaying attribute entries for a specified VPNv4 neighbor . . . . .	653
Displaying Flap statistics for a specified VPNv4 neighbor by IP address . . . . .	655
Displaying received ORFs information for a specified VPNv4 neighbor . . . . .	656
Displaying a specified neighbor VPNv4 routes . . . . .	656
Displaying routes summary for a specified VPNv4 neighbor . . . . .	658
Displaying summary route information . . . . .	660
Displaying the VPNv4 route table . . . . .	661
Displaying the best VPNv4 routes. . . . .	662
Displaying best VPNv4 routes that are not in the IP route table . . . . .	663
Displaying VPNv4 routes with unreachable destinations . . . . .	664
Displaying information for a specific VPNv4 route . . . . .	664
Displaying VPNv4 route details. . . . .	664
Displaying BGP VPNv4 MPLS tag information . . . . .	666

Displaying BGP or MPLS VRF information . . . . .	666
Displaying VRF route information . . . . .	667
Displaying VRF route information for a specified IP address . . . . .	668
Displaying attribute entries information for a specified VRF . . . . .	669
Displaying dampened paths information for a specified VRF . . . . .	671
Displaying filtered routes information for a specified VRF . .	671
Displaying Flap statistics information for a specified VRF . .	671
Displaying BGP neighbor information for a specified VRF . .	672
Displaying advertised routes for a specified VRF neighbor .	679
Displaying neighbor attribute entries for a specified VRF . . .	679
Displaying flap statistics for a specified VRF neighbor by IP address . . . . .	681
Displaying received ORF information for a specified VRF neighbor . . . . .	681
Displaying received routes for a specified VRF neighbor . . .	682
Displaying a specified VRF neighbor routes. . . . .	682
Displaying VPNv4 routes summary for a specified VRF neighbor . . . . .	684
Displaying summary route information for a specified VRF .	686
Displaying a VRFs BGP4 route table. . . . .	687
Displaying additional BGP or MPLS VPN information . . . . .	692
Displaying VRF information . . . . .	693
Displaying IP network information for a VRF . . . . .	694
Displaying the IP route table for a specified VRF. . . . .	695
Displaying ARP VRF information . . . . .	696
Displaying OSPF information for a VRF . . . . .	696
Displaying OSPF area information for a VRF . . . . .	697
Displaying OSPF ABR and ASBR information for a VRF. . . . .	697
Displaying general OSPF configuration information for a VRF. . . . .	698
Displaying OSPF external link state information for a VRF . .	699
Displaying OSPF link state information for a VRF . . . . .	700
Displaying OSPF interface information. . . . .	701
Displaying OSPF neighbor information for a VRF. . . . .	701
Displaying the routes that have been redistributed into OSPF . . . . .	701
Displaying OSPF route information for a VRF. . . . .	702
Displaying OSPF trap status for a VRF . . . . .	703
Displaying OSPF virtual links for a VRF. . . . .	703
Displaying OSPF virtual neighbor information for a VRF. . . . .	704
Displaying IP extcommunity list information . . . . .	705
Displaying the IP static route table for a VRF. . . . .	705
Displaying the static ARP table for a VRF. . . . .	705
Displaying TCP connections for a VRF . . . . .	706
Displaying MPLS statistics for a VRF . . . . .	706
Displaying IP route information for a VRF . . . . .	707
Displaying RIP information for a VRF . . . . .	707

BGP or MPLS VPN sample configurations . . . . .	709
Basic configuration example for IBGP on the PEs . . . . .	709
EBGP for route exchange . . . . .	710
Static routes for route exchange . . . . .	715
RIP for route exchange . . . . .	718
OSPF for route exchange . . . . .	723
Cooperative route filtering . . . . .	728
Using an IP extcommunity variable with route map . . . . .	730
Autonomous system number override . . . . .	731
Setting an LSP for each VRF on a PE . . . . .	732
OSPF sham links . . . . .	733
IPv4 L3 VPN CAM optimization overview . . . . .	735
Commands . . . . .	736
Glossary . . . . .	740

**Chapter 7**

**Routing over VPLS**

Overview . . . . .	741
Configuring VE over VPLS . . . . .	749
VRRP/VRRP-E support . . . . .	750
Single homing topology . . . . .	752
Dual homing topology . . . . .	753
ACL Support for VE over VPLS . . . . .	754
Configuration steps . . . . .	755
Show commands . . . . .	756

**Chapter 8**

**Configuring BGP-Based Auto-Discovery for VPLS**

Overview . . . . .	759
Terms introduced in this chapter . . . . .	760
How BGP-based auto-discovery for VPLS works . . . . .	760
About the L2VPN VPLS address family . . . . .	761
Feature limitations and configuration notes . . . . .	761
Scalability . . . . .	761
Configuring BGP-based auto-discovery for VPLS . . . . .	762
Configuring a loopback interface . . . . .	762
Configuring BGP4 to support VPLS auto-discovery . . . . .	764
Configuring VPLS to support auto-discovery . . . . .	766
Enabling VPLS auto-discovery . . . . .	769
Configuring the L2VPN VPLS address family and activating the BGP4 peering session . . . . .	770
Clearing the BGP L2VPN route table . . . . .	770
Clearing the BGP L2VPN route table and resetting BGP . . . . .	771
Clearing the BGP L2VPN route table without resetting the BGP session . . . . .	771
Example configuration . . . . .	772



Displaying VPLS auto-discovery information . . . . .	775
Displaying information about BGP L2VPN VPLS routes . . . .	775
Displaying information about VPLS auto-discovery and load balancing . . . . .	789
Displaying information about LDP . . . . .	791
VPLS LSP Load Balancing. . . . .	792
Glossary . . . . .	792
Feature overview. . . . .	792
Limitations and prerequisites . . . . .	792
Existing features affected by this feature . . . . .	793
Assumptions and dependencies. . . . .	793
VPLS LSP load balancing configuration scenarios . . . . .	793
Commands . . . . .	796

## Chapter 9

### IPv6 Provider Edge Router over MPLS

6PE over MPLS . . . . .	799
6PE over MPLS architecture . . . . .	799
6PE over MPLS operation . . . . .	800
6PE limitations . . . . .	802
Configuring 6PE. . . . .	802
Configuration example to deploy 6PE . . . . .	803
Displaying 6PE information . . . . .	806
Displaying the 6PE neighbors information. . . . .	806
Displaying the error information for the 6PE neighbors . . . .	812
Displaying the routes summary of the 6PE neighbors . . . . .	812
Displaying the 6PE summary . . . . .	814
Displaying the 6PE packet count . . . . .	817
Clearing 6PE information . . . . .	817
6PE behavioral differences on the Brocade devices . . . . .	818
Output statistics for the show mpls statistics 6pe command. . . . .	818
TTL propagation for 6PE packets . . . . .	818
CoS behavior for 6PE packets. . . . .	818
6VPE Routing. . . . .	819
6VPE overview . . . . .	819
6VPE limitations. . . . .	820
Configuring 6VPE. . . . .	820
Configuration example to deploy 6VPE . . . . .	822
Displaying 6VPE information . . . . .	826
Displaying the 6VPE packet count . . . . .	826



# About This Document

---

## In this chapter

- Audience. . . . . xv
- Supported hardware and software. . . . . xvi
- Document conventions . . . . . xvii
- Notice to the reader . . . . . xviii
- Related publications . . . . . xviii
- Getting technical help or reporting errors . . . . . xix

## Audience

This document is designed for system administrators with a working knowledge of Layer 2 and Layer 3 switching and routing.

If you are using a Brocade device, you should be familiar with the following protocols if applicable to your network – IP, RIP, OSPF, BGP, ISIS, IGMP, PIM, MPLS, and VRRP.

In this chapter

## Supported hardware and software

The following hardware platforms are supported by this release of this guide:

**TABLE 1** Supported devices

Brocade NetIron XMR Series	Brocade MLX Series	NetIron CES 2000 and NetIron CER 2000 Series
Brocade NetIron XMR 4000	Brocade MLX-4	Brocade NetIron CES 2024C
Brocade NetIron XMR 8000	Brocade MLX-8	Brocade NetIron CES 2024F
Brocade NetIron XMR 16000	Brocade MLX-16	Brocade NetIron CES 2048C
Brocade NetIron XMR 32000	Brocade MLX-32	Brocade NetIron CES 2048CX
	Brocade MLXe-4	Brocade NetIron CES 2048F
	Brocade MLXe-8	Brocade NetIron CES 2048FX
	Brocade MLXe-16	Brocade NetIron CER 2024C
	Brocade MLXe-32	Brocade NetIron CER-RT 2024C
		Brocade NetIron CER 2024F
		Brocade NetIron CER-RT 2024F
		Brocade NetIron CER 2048C
		Brocade NetIron CER-RT 2048C
		Brocade NetIron CER 2048CX
		Brocade NetIron CER-RT 2048CX
		Brocade NetIron CER 2048F
		Brocade NetIron CER-RT 2048F
		Brocade NetIron CER 2048FX
		Brocade NetIron CER-RT 2048FX

### Supported software

For the complete list of supported features and the summary of enhancements and configuration notes for this release, refer to the latest version of the *Multi-Service IronWare Release Notes*.

## Document conventions

This section describes text formatting conventions and important notice formats used in this document.

### Text formatting

The narrative-text formatting conventions that are used are as follows:

<b>bold text</b>	Identifies command names
	Identifies the names of user-manipulated GUI elements
	Identifies keywords
	Identifies text to enter at the GUI or CLI
<i>italic text</i>	Provides emphasis
	Identifies variables
	Identifies document titles
<code>code text</code>	Identifies CLI output

For readability, command names in the narrative portions of this guide are presented in bold: for example, `show version`.

### Notes, cautions, and danger notices

The following notices and statements are used in this manual. They are listed below in order of increasing severity of potential hazards.

---

#### NOTE

A note provides a tip, guidance or advice, emphasizes important information, or provides a reference to related information.

---



#### CAUTION

A Caution statement alerts you to situations that can be potentially hazardous to you or cause damage to hardware, firmware, software, or data.

---



#### DANGER

A Danger statement indicates conditions or situations that can be potentially lethal or extremely hazardous to you. Safety labels are also attached directly to products to warn of these conditions or situations.

---

## Notice to the reader

This document may contain references to the trademarks of the following corporations. These trademarks are the properties of their respective companies and corporations.

These references are made for informational purposes only.

Corporation	Referenced Trademarks and Products
Microsoft Corporation	Internet Explorer
Mozilla Corporation	Mozilla Firefox
Sun Microsystems	Java Runtime Environment

## Related publications

For the latest edition of these documents, which contain the most up-to-date information, see Documentation at <http://www.brocade.com/ethernetproducts>

- *Multi-Service IronWare Administration Guide*
- *Multi-Service IronWare Security Configuration Guide*
- *Multi-Service IronWare Switching Configuration Guide*
- *Multi-Service IronWare Routing Configuration Guide*
- *Multi-Service IronWare Traffic Management Configuration Guide*
- *Multi-Service IronWare Multicast Configuration Guide*
- *Multi-Service IronWare Multiprotocol Label Switch (MPLS) Configuration Guide*
- *Multi-Service IronWare Software Defined Networking (SDN) Guide*
- *Brocade MLX Series and NetIron Family YANG Guide*
- *Brocade MLX Series and NetIron XMR Series Diagnostic Reference*
- *Unified IP MIB Reference*
- *Multi-Service IronWare Software Upgrade Guide*
- *Brocade MLXe Series Installation Guide*
- *Brocade MLX Series and Brocade NetIron XMR Installation Guide*
- *Brocade NetIron CES 2000 Series and Brocade NetIron CER 2000 Series Hardware Installation Guide*

## Getting technical help or reporting errors

To contact Technical Support, go to <http://www.brocade.com/services-support/index.page> for the latest e-mail and telephone contact information.

In this chapter



# Configuring MPLS Traffic Engineering

## Overview

Table 2 displays the individual Brocade devices and the MPLS Traffic Engineering features they support.

**TABLE 2** Supported Brocade MPLS traffic engineering features

Features supported	Brocade NetIron XMR Series	Brocade MLX Series	Brocade NetIron CES 2000 Series BASE package	Brocade NetIron CES 2000 Series ME_PREM package	Brocade NetIron CES 2000 Series L3_PREM package	Brocade NetIron CER 2000 Series Base package	Brocade NetIron CER 2000 Series Advanced Services package
Multiprotocol Label Switching (MPLS)	Yes	Yes	No	Yes	No	No	Yes
MPLS Traffic Engineering	Yes	Yes	No	Yes	No	No	Yes
OSPF-TE Link State Advertisements for MPLS Interfaces	Yes	Yes	No	Yes	No	No	Yes
MPLS Traffic Engineering - OSPF-TE	Yes	Yes	No	Yes	No	No	Yes
MPLS Traffic Engineering - IS-IS-TE	Yes	Yes	No	Yes	No	No	Yes
IS-IS Link State Protocol data units with TE Extensions for MPLS Interfaces	Yes	Yes	No	Yes	No	No	Yes
RSVP Message Authentication	Yes	Yes	No	Yes	No	No	Yes
MPLS over Virtual Ethernet Interfaces	Yes	Yes	No	Yes	No	No	Yes
MPLS Signaling: LDP and RSVP-TE support	Yes	Yes	No	Yes	No	No	Yes
RSVP soft preemption	Yes	Yes	No	Yes	No	No	Yes

**TABLE 2** Supported Brocade MPLS traffic engineering features

Features supported	Brocade Netron XMR Series	Brocade MLX Series	Brocade Netron CES 2000 Series BASE package	Brocade Netron CES 2000 Series ME_PREM package	Brocade Netron CES 2000 Series L3_PREM package	Brocade Netron CER 2000 Series Base package	Brocade Netron CER 2000 Series Advanced Services package
MPLS Point-to-Multipoint Traffic Engineering	Yes	Yes	No	Yes	No	No	Yes
Auto-bandwidth for RSVP LSPs	Yes	Yes	No	No	No	No	No
Dynamic Bypass LSP	Yes	Yes	No	Yes	Yes	No	Yes
Liberal Bypass Selection and Creation	Yes	Yes	No	Yes	No	Yes	Yes
New encryption code for passwords, authentication keys, and community strings	Yes	Yes	No	Yes	No	No	Yes
Traffic Engineering Database	Yes	Yes	No	Yes	No	No	Yes
MPLS Fast Reroute Using One-to-One Backup	Yes	Yes	No	Yes	No	No	Yes
FRR bypass LSPs	Yes	Yes	No	Yes	No	No	Yes
Link protection for FRR	Yes	Yes	No	Yes	No	No	Yes
Adaptive bypass LSPs	Yes	Yes	No	Yes	Yes	No	Yes
Resetting LSPs	Yes	Yes	No	Yes	No	No	Yes
Adaptive LSPs: timer-triggered LSP optimization	Yes	Yes	No	Yes	No	No	Yes
Hot-standby LSPs	Yes	Yes	No	Yes	No	No	Yes
RSVP Message Authentication	Yes	Yes	No	Yes	No	No	Yes
Signaled LSPs	Yes	Yes	No	Yes	No	No	Yes
LSP Accounting	Yes	Yes	No	No	No	No	No

**TABLE 2** Supported Brocade MPLS traffic engineering features

Features supported	Brocade Netron XMR Series	Brocade MLX Series	Brocade Netron CES 2000 Series BASE package	Brocade Netron CES 2000 Series ME_PREM package	Brocade Netron CES 2000 Series L3_PREM package	Brocade Netron CER 2000 Series Base package	Brocade Netron CER 2000 Series Advanced Services package
LSP accounting statistics for single-hop LSP routes	Yes	Yes	No	No	No	No	No
MPLS BFD	Yes	Yes	No	No	No	No	No
IP over MPLS Traceroute	Yes	Yes	No	Yes	Yes	No	Yes
Traps and Syslogs for LSPs	Yes	Yes	No	Yes	No	No	Yes
Show Command to Display TE path	Yes	Yes	No	Yes	No	No	Yes
Enhancements to MPLS path and route display	Yes	Yes	No	Yes	No	No	Yes
Display changes for MPLS show commands for long LSP and Path names	Yes	Yes	No	Yes	No	No	Yes
RSVP refresh reduction	Yes	Yes	No	Yes	No	No	Yes
RSVP reliable messaging	Yes	Yes	No	Yes	No	No	Yes
RSVP IGP Synchronization	Yes	Yes	No	Yes	No	No	Yes
RSVP IGP Synchronization for Remote Links	Yes	Yes	No	Yes	No	No	Yes
MPLS traffic engineering flooding reduction	Yes	Yes	No	Yes	No	No	Yes
Static Transit LSP	Yes	Yes	No	Yes	No	No	Yes
MPLS CSPF Scalability Optimization	Yes	Yes	No	Yes	No	No	Yes
P2MP RSVP LSPs	Yes	Yes	No	No	No	No	Yes
Multicast IGP RPF Shortcuts	Yes	Yes	No	Yes	Yes	No	Yes

---

**NOTE**

MPLS cannot be configured on the system globally when a NI-MLX-10Gx8-D card is installed.

---

This chapter explains how to configure *Multiprotocol Label Switching (MPLS)* on the Brocade device for traffic engineering purposes. MPLS can be used to direct packets through a network over a pre-determined path of routers. Forwarding decisions in MPLS are based on the contents of a label applied to the packet.

*Traffic engineering* is the ability to direct packets through a network efficiently, using information gathered about network resources. When used as an application of MPLS, traffic engineering involves creating paths that make the best use of available network resources, avoiding points of congestion and making efficient use of high bandwidth interfaces. Packets travelling over these paths are forwarded using MPLS.

## IETF RFC and Internet draft support

The implementation of MPLS supports the following IETF RFCs and Internet Drafts.

### MPLS

RFC 3031 – Multiprotocol Label Switching Architecture

RFC 3032 – MPLS Label Stack Encoding

RFC 3036 – LDP Specification

RFC 2205 – Resource ReSerVation Protocol (RSVP) – Version 1 Functional Specification

RFC 2209 – Resource ReSerVation Protocol (RSVP) – Version 1 Message Processing Rule

RFC 3209 – RSVP-TE

RFC 3270 – MPLS Support of Differentiated Services

RFC 4090 – Facility backup and Fast Reroute

### OSPF

RFC 3630 TE Extensions to OSPF v2

### IS-IS

RFC 3784 Intermediate System to Intermediate System (IS-IS) Extensions for Traffic Engineering (TE)

## How MPLS works

MPLS uses a *label switching* forwarding method to direct packets through a network. In label switching, a packet is assigned a label and passes along a predetermined path of routers. Forwarding decisions are based on the contents of the label, rather than information in the packet's IP header.

The following sections describe these basic MPLS concepts:

- How packets are forwarded through an MPLS domain
- The kinds of Label Switched Paths (LSPs) that can be configured on a device
- The components of an MPLS label header

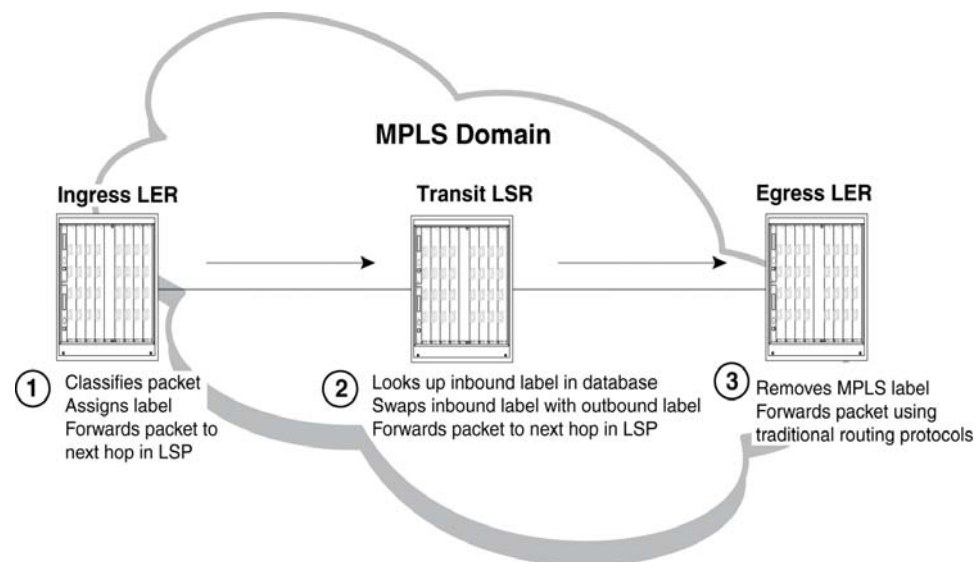
## How packets are forwarded through an MPLS domain

An *MPLS domain* consists of a group of MPLS-enabled routers, called *LSRs* (Label Switching Routers). In an MPLS domain, packets are forwarded from one MPLS-enabled router to another along a predetermined path, called an *LSP* (Label Switched Path). LSPs are one-way paths between MPLS-enabled routers on a network. To provide two-way traffic, the user configures LSPs in each direction.

The LSRs at the headend and tailend of an LSP are known as *LERs* (Label Edge Routers). The LER at the headend, where packets enter the LSP, is known as the *ingress LER*. The LER at the tailend, where packets exit the LSP, is known as the *egress LER*. Each LSP has one ingress LER and one egress LER. Packets in an LSP flow in one direction: from the ingress LER towards the egress LER. In between the ingress and egress LERs there may be zero or more *transit LSRs*. A device enabled for MPLS can perform the role of ingress LER, transit LSR, or egress LER in an LSP. Further, a device can serve simultaneously as an ingress LER for one LSP, transit LSR for another LSP, and egress LER for some other LSP.

Figure 1 depicts an MPLS domain with a single LSP consisting of three LSRs: an ingress LER, a transit LSR, and an egress LER.

FIGURE 1 Label switching in an MPLS domain



Label switching in an MPLS domain works as described below.

# 1 How MPLS works

1. The Ingress LER receives a packet and pushes a label onto it.

When a packet arrives on an MPLS-enabled interface, the device determines to which LSP (if any) the packet are assigned. Specifically, the device determines to which Forwarding Equivalence Class (FEC) the packet belongs. An FEC is simply a group of packets that are all forwarded in the same way. For example, a FEC could be defined as all packets from a given Virtual Leased Line. FECs are mapped to LSPs. When a packet belongs to a FEC, and an LSP is mapped to that FEC, the packet is assigned to the LSP.

When a packet is assigned to an LSP, the device, acting as an ingress LER, applies (pushes) a tunnel *label* onto the packet. A label is a 32-bit, fixed-length identifier that is significant only to MPLS. Refer to “MPLS label header encoding” for specific information about the contents of a label. From this point until the packet reaches the egress LER at the end of the path, the packet is forwarded using information in its label, not information in its IP header. The packet’s IP header is not examined again as long as the packet traverses the LSP. The ingress LER may also apply a VC label onto the packet based on the VPN application.

On the ingress LER, the label is associated with an outbound interface. After receiving a label, the packet is forwarded over the outbound interface to the next router in the LSP.

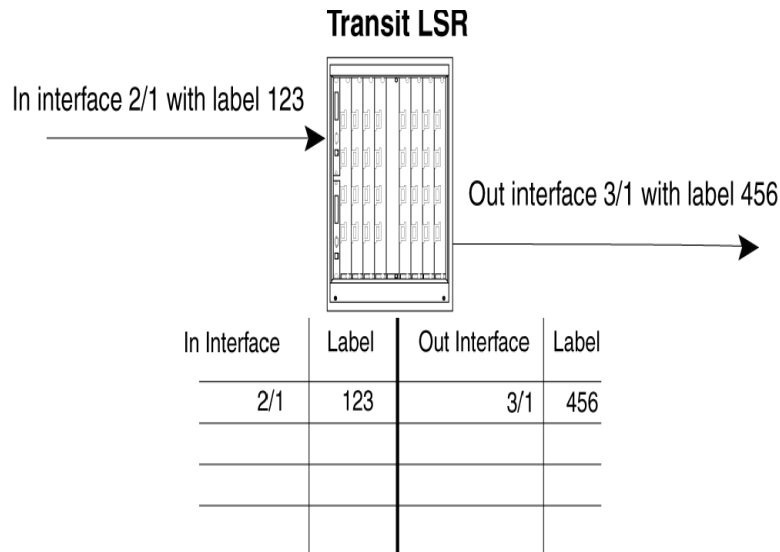
2. A transit LSR receives the labelled packet, swaps the label, and forwards the packet to the next LSR.

In an LSP, zero or more transit LSRs can exist between the ingress and egress LERs. A transit LSR swaps labels on an MPLS packet and forwards the packet to the next router in the LSP.

When a transit LSR receives an MPLS packet, it looks up the label in its *MPLS forwarding table*. This table maps the label and inbound interface to a new label and outbound interface. The transit LSR replaces the old label with the new label and sends the packet out the outbound interface specified in the table. This process repeats at each transit LSR until the packet reaches the next-to-last LSR in the LSP (for signaled LSPs).

Figure 2 illustrates an example of the label swapping process on a transit LSR.

**FIGURE 2** Label swapping on a transit LSR



In this example, a packet comes into interface 2/1 with label 123. The transit LSR then looks up this interface-label pair in its MPLS forwarding table. The inbound interface-label pair maps to an outbound-interface-label pair – in this example, interface 3/1 with label 456. The LSR swaps label 123 with label 456 and forwards the packet out interface 3/1.

3. The egress LER receives labelled packet, pops label, and forwards IP packet.

When the packet reaches the egress LER, the MPLS label is removed (called *popping* the label), and the packet can then be forwarded to its destination using standard hop-by-hop routing protocols. On signaled LSPs, the label is popped at the penultimate (next to last) LSR, rather than the egress LER. Refer to [“Penultimate hop popping”](#) for more information.

## Types of LSPs

An LSP in an MPLS domain can be either *static* or *signaled*.

### Signaled LSPs

Signaled LSPs are configured at the ingress LER only. When the LSP is enabled, RSVP signaling messages travel to each LSR in the LSP, reserving resources and causing labels to be dynamically associated with interfaces. When a packet is assigned to a signaled LSP, it follows a pre-established path from the LSPs ingress LER to its egress LER. This path can be one of the following:

- A path that traverses an explicitly specified set of MPLS routers
- The IGP shortest path across the MPLS domain, determined from local routing tables
- A traffic-engineered path calculated by the device using constraints such as bandwidth reservations, administrative groups, and network topology information

For more information, refer to [“How CSPF calculates a traffic-engineered path”](#), [“How RSVP establishes a signaled LSP”](#), and [“Setting up signaled LSPs”](#).

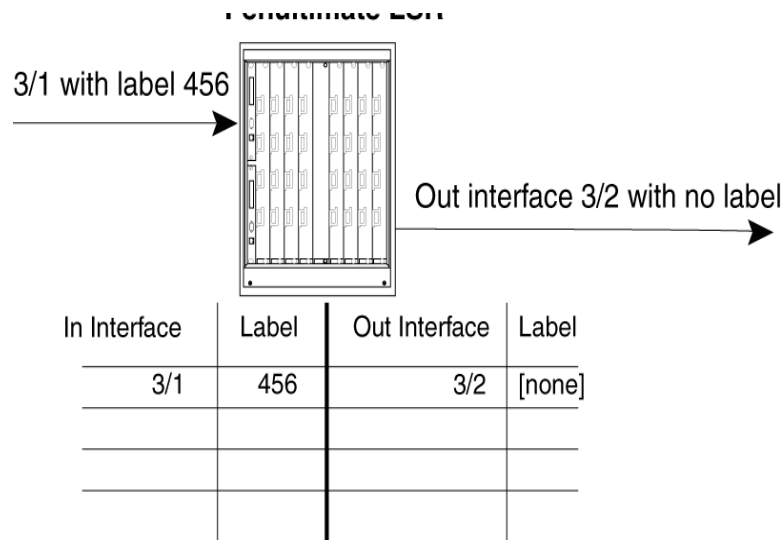
### Penultimate hop popping

On signaled LSPs, the MPLS label is popped at the next-to-last LSR in the LSP, instead of at the egress LER. This action is called *penultimate hop popping*. Penultimate hop popping improves forwarding efficiency by allowing the egress LER to avoid performing both a MPLS forwarding table lookup and an IP forwarding table lookup for each packet exiting the LSP. Instead, the MPLS label is popped at the penultimate (next-to-last) LSR, and the packet is forwarded to the egress LER with no MPLS encoding. The egress LER, in fact, does not recognize the packet as emerging from an LSP.

[Figure 3](#) illustrates the operation that takes place at the penultimate LSR in an LSP.

### FIGURE 3 Penultimate hop popping

# 1 How MPLS works



When an LSR receives an MPLS packet, it looks up the label in its MPLS forwarding table. Normally, this table maps the label and inbound interface to a new label and outbound interface. However, when this is the penultimate LSR in an LSP, the label and inbound interface map only to an outbound interface. The penultimate LSR pops the label and forwards the packet – now a regular IP packet – out the outbound interface. When the packet reaches the egress LER, there is no indication that it had been forwarded over an LSP. The packet is forwarded using standard hop-by-hop routing protocols.

---

**NOTE**

Penultimate hop popping is always performed on signaled LSPs.

---

## MPLS label header encoding

The following diagram illustrates the structure of the 32-bit MPLS label header. When a packet enters an LSP, the ingress LER pushes a label onto the packet.

**FIGURE 4 Structure of an MPLS Label Header**



An MPLS label header is composed of the following parts:

Label value (20 bits)

The label value is an integer in the range 16 – 1048575. (Labels 0 – 15 are reserved by the IETF for special usage.) For signaled LSPs, the device dynamically assigns labels in the range 1024 – 499999.

EXP field (3 bits)



The EXP field is designated for experimental usage. By default, a device uses the EXP field to define a Class of Service (CoS) value for prioritizing packets travelling through an LSP. Please refer to [Chapter 1, “Configuring MPLS Traffic Engineering”](#), for more information. Note that software forwarded VPLS packets do not use the EXP encode table.

S (Bottom of Stack) field (1 bit)

An MPLS packet can be assigned multiple labels. When an MPLS packet has multiple labels, they are logically organized in a last-in, first-out *label stack*. An LSR performs a pop or swap operation on the topmost label; that is, the most recently applied label in the stack. The Bottom of Stack field indicates whether this label is the last (oldest) label in the stack. When the label is the last one in the stack, the Bottom of Stack field is set to one. If not, the Bottom of Stack field is set to zero.

A device acting as an LSR can perform one push, swap, or pop operation on an incoming MPLS packet. The device can accept MPLS packets that contain multiple labels, but only the topmost label is acted upon.

TTL field (8 bits)

The TTL field indicates the Time To Live (TTL) value for the MPLS packet. At the ingress LER, an IP packet's TTL value is copied to its MPLS TTL field. At each transit LSR hop, the MPLS TTL value is decremented by one. When the MPLS TTL value reaches zero, the packet is discarded. Optionally, the user can configure the LSRs not to decrement the MPLS TTL value at each hop.

## Using MPLS in traffic engineering

Traffic engineering is the task of routing network traffic to avoid points of congestion and make efficient use of high bandwidth interfaces. When used as an application of MPLS, traffic engineering involves creating LSPs that make the best use of available network resources; that is, *traffic-engineered LSPs*. This section explains the process of creating traffic-engineered LSPs.

Creating traffic-engineered LSPs involves the following tasks:

- Gathering information about the network
- Using the gathered information to select optimal paths through the network
- Setting up and maintaining the paths

For traffic-engineered signaled LSPs, devices can perform these tasks dynamically. [Figure 5](#) illustrates the process that takes place to configure, establish, and activate traffic-engineered signaled LSPs.

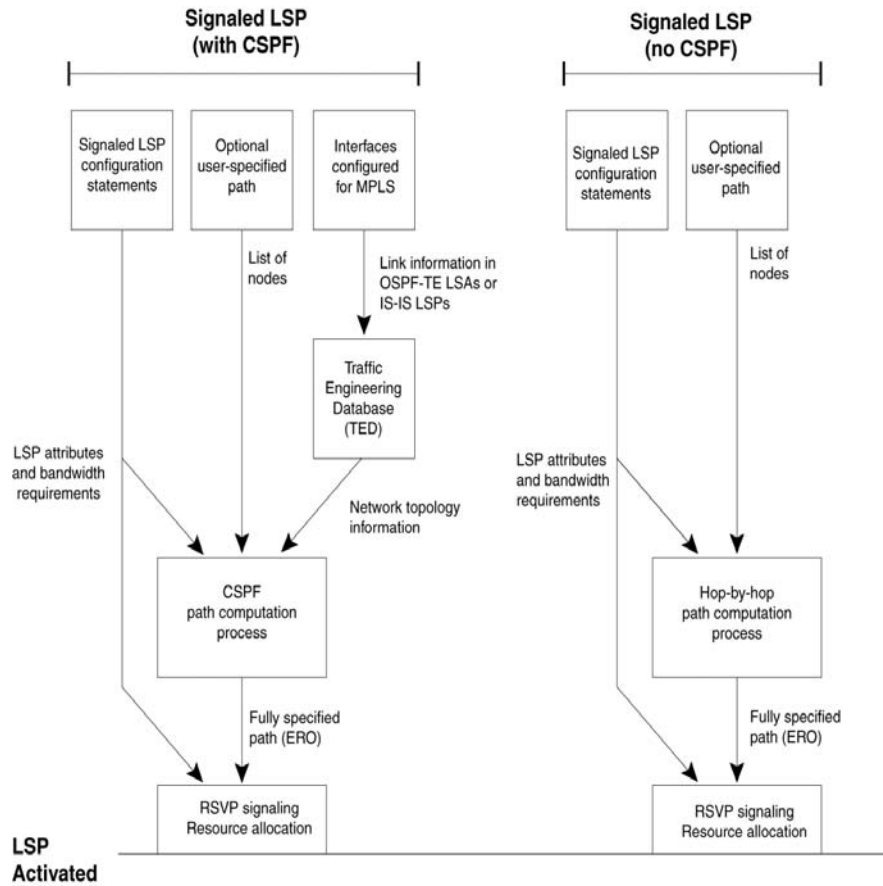
---

### NOTE

Adaptive LSPs can have primary and secondary sessions up at the same time. Brocade devices only support 16k LSPs, and no more than a total of 32k sessions.

---

FIGURE 5 How traffic-engineered LSPs are configured, established, and activated



Traffic-engineered, signaled LSPs are configured, established, and activated by the following processes (but with some differences between OSPF and IS-IS):

### CSPPF calculates a traffic-engineered path

When the user configures a signaled Label Switched Path, the user specifies the address of the egress LER, as well as optional attributes, such as the LSPs priority and bandwidth requirements. The user can optionally specify a path of LSRs that the LSP must pass through on the way to the egress LER. When the user enables the signaled LSP, the *Constrained Shortest Path First (CSPPF)* process on the ingress LER uses this information to calculate a *traffic-engineered path* between the ingress and egress LERs.

CSPPF is an advanced form of the Shortest Path First (SPF) process used by IGP routing protocols. The CSPPF process on the ingress LER uses the configured attributes of the LSP, user-specified path (when there is one), and the information in the *Traffic Engineering Database (TED)* to calculate the traffic-engineered path. This process consists of a sequential list of the physical interfaces that packets assigned to this LSP pass through to travel from the ingress LER to the egress LER. The traffic-engineered path takes into account the network topology, available resources, and user-specified constraints. The traffic-engineered path calculated by CSPPF may or may not be the same as the shortest path that would normally be calculated by standard IGP routing protocols.

CSPF is enabled by default for signaled LSPs, but can be disabled. When signaled LSPs are configured without CSPF, the shortest path from the ingress LER to the egress LER is calculated using standard hop-by-hop routing methods. When the LSP also is configured to use a user-specified path, the device calculates the shortest path between each LSR in the path. As with CSPF, the output of this process is a fully specified path of physical interfaces on LSRs.

The advantage of configuring signaled LSPs without CSPF is that it can span multiple OSPF areas or IS-IS levels. Since OSPF-TE LSAs and IS-IS LSPs with TE extensions have area/level flooding scope, the information in an LSR's TED is relevant only to their area or level. Consequently, signaled LSPs that use CSPF can span only an OSPF area or IS-IS level. Signaled LSPs that do not use CSPF, because they do not rely on information in the TED, do not have this restriction.

Once the path for the LSP has been calculated, RSVP signaling then causes resources to be reserved and labels to be allocated on each LSR specified in the path. This may cause already existing, lower priority LSPs to be preempted. Once resources are reserved on all the LSRs in the path, the signaled LSP is considered to be *activated*; that is, packets can be forwarded over it.

The following sections provide additional information about the individual components of the process for activating traffic-engineered signaled LSPs, illustrated in [Figure 5](#).

## OSPF-TE Link State Advertisements for MPLS interfaces

MPLS-enabled devices running OSPF can be configured to send out LSAs that have special extensions for traffic engineering. These LSAs, called *OSPF-TE LSAs*, contain information about interfaces configured for MPLS. The OSPF-TE LSAs are flooded throughout the OSPF area. LSRs that receive the OSPF-TE LSAs place the traffic engineering information into a TED, which maintains topology data about the nodes and links in the MPLS domain.

Traffic engineering information is carried in OSPF traffic engineering (OSPF-TE) LSAs. OSPF-TE LSAs are Type 10 Opaque LSAs, as defined in RFC 2370. Type 10 Opaque LSAs have area flooding scope.

OSPF-TE LSAs have special extensions that contain information related to traffic engineering; these extensions are described in RFC 3630. The extensions consist of Type/Length/Value triplets (TLVs) containing the following information:

- Type of link (either point-to-point or multiaccess network)
- ID of the link (for point-to-point links, this is the Router ID of the LSR at the other end of the link; for multiaccess links, this is the address of the network's designated router)
- IP address of the local interface for the link
- IP address of the remote interface for the link (this could be zero for multicast links)
- Traffic engineering metric for the link (by default, this is equal to the OSPF link cost)
- Maximum bandwidth on the interface
- Maximum reservable bandwidth on the interface
- Unreserved bandwidth on the interface
- Administrative groups to which the interface belongs

When configured to do so, the device sends out OSPF-TE LSAs for each of its MPLS-enabled interfaces. The user can optionally specify the maximum amount of bandwidth that can be reserved on an interface, as well as assign interfaces to administrative groups. Refer to [“Setting traffic engineering parameters for MPLS interfaces”](#) for more information.

# 1 IS-IS Link State Protocol data units with TE extensions for MPLS interfaces

The following events trigger the device to send out OSPF-TE LSAs:

- Change in the interface's administrative group membership
- Change in the interface's maximum available bandwidth or maximum reservable bandwidth
- Significant change in unreserved bandwidth per priority level:
  - If for any priority level, the difference between the previously advertised unreserved bandwidth and the current unreserved bandwidth exceeds five percent of the maximum reservable bandwidth
  - Any changes while the total reserved bandwidth exceeds 95 percent of the maximum reservable bandwidth

In addition, OSPF-TE LSAs can be triggered by OSPF; for example, when an interface's link state is changed. When an interface is no longer enabled for MPLS, the device stops sending out OSPF-TE LSAs for the interface.

## IS-IS Link State Protocol data units with TE extensions for MPLS interfaces

An MPLS-enabled device running IS-IS can be configured to send out *Link State Protocol (LSP)* data units that contain special extensions to support Traffic Engineering (TE). (In this section — and nowhere else in this chapter — LSP is the acronym for Link State Protocol. In other sections, LSP means Label Switched Path.) These LSPs are composed of a fixed header and a number of tuples known as Type/Length/Value triplets (TLVs). LSPs that are used for traffic engineering contain a new object called a sub-TLV. Sub-TLVs are similar to regular TLVs except that, where regular TLVs exist inside IS-IS packets, sub-TLVs reside within regular TLVs. Each sub-TLV consists of three fields: a one-octet Type field, a one-octet Length field, and zero or more octets of Value.

These LSPs are flooded throughout the IS-IS domain. LSRs that receive the IS-IS LSPs with TE extensions place the traffic engineering information into a *Traffic Engineering Database (TED)*, which maintains topology data about the nodes and links in the MPLS domain.

IS-IS LSPs have special extensions that contain information related to traffic engineering and are described in RFC 3784. The extensions consist of Type/Length/Value triplets (sub-TLVs) containing the following information:

- IP address of the local interface for the link
- IP address of the remote interface for the link (for point-to-point adjacencies)
- Traffic engineering metric for the link (by default, this is equal to the IS-IS link cost)
- Maximum bandwidth on the interface
- Maximum reservable bandwidth on the interface
- Unreserved bandwidth on the interface
- Administrative groups to which the interface belongs

When configured to do so, the device sends out IS-IS LSPs with TE extensions for each of its MPLS-enabled interfaces. The user can optionally specify the maximum amount of bandwidth that can be reserved on an interface, as well as assign interfaces to administrative groups. Refer to [“Setting traffic engineering parameters for MPLS interfaces”](#) for more information.

Any of the following events trigger the device to send out IS-IS LSPs with a TE extension:

- Change in the interface's administrative group membership.

- Change in the interface's maximum available bandwidth or maximum reservable bandwidth.
- Significant change in unreserved bandwidth per priority level, which can be either of the following:
  - For any priority level, the difference between the previously advertised, unreserved bandwidth and the current, unreserved bandwidth exceeds five percent of the maximum reservable bandwidth.
  - Any change when the total reserved bandwidth exceeds 95 percent of the maximum reservable bandwidth.

In addition, IS-IS LSPs with TE extensions can be triggered by IS-IS (for example, when an interface's link state changes). Furthermore, when an interface is no longer enabled for MPLS, the device stops sending out IS-IS LSPs with TE extensions for that interface.

## Traffic engineering database

An LSR TED stores topology information about the MPLS domain. This topology information comes from OSPF-TE LSAs and IS-IS LSPs with TE extensions that are flooded throughout the OSPF area or IS-IS domain. When an LSR receives OSPF-TE LSAs or IS-IS LSPs with TE extensions from neighboring LSRs, it places the traffic engineering information into its TED. In this way, each LSR in the OSPF area builds an identical topology database that reflects the traffic engineering constraints, bandwidth reservations, and administrative group memberships of the area's MPLS-enabled interfaces and the links that connect them.

The topology information in the TED is used by the CSPF process when it calculates traffic-engineered paths for signaled LSPs, as the section [“How CSPF calculates a traffic-engineered path”](#) describes. The user can display the contents of an LSRs TED (refer to [“Displaying MPLS and RSVP information”](#)).

### LSP attributes and requirements used for traffic engineering

In addition to the topology information in the TED, the device considers attributes and requirements specified in configuration statements for the LSP. The following user-specified parameters are considered when the device calculates a traffic-engineered path for a signaled LSP:

- Destination address of the egress LER
- Explicit path to be used by the LSP
- Bandwidth required by the LSP
- Setup priority for the LSP
- Metric for the LSP
- Whether the LSP includes or excludes links belonging to specified administrative groups

Refer to [“Configuring signaled LSP parameters”](#) for more information on how to set these parameters.

## How CSPF calculates a traffic-engineered path

Using information in the TED in addition to the attributes and requirements of the LSP, CSPF calculates a traffic-engineered path for the LSP by performing the tasks listed below.

1. When more than one LSP needs to be enabled, CSPF selects the LSP for path calculation based on the LSPs setup priority and bandwidth requirement.

When multiple LSPs are enabled simultaneously, such as when the device is booted, CSPF calculates the paths one at a time. CSPF starts with the LSP that has the highest configured setup priority. When more than one LSP has the same setup priority, CSPF calculates the path first for the LSP with the highest configured bandwidth requirement.

2. Eliminate unsuitable links from consideration.

The device examines the topology information in its TED and uses this information to eliminate links from consideration for the traffic-engineered path. A link is eliminated when any of the following are true:

- The link is half duplex
- The link does not have enough reservable bandwidth to fulfill the LSPs configured requirements
- The LSP has an include statement, and the link does not belong to an administrative group in the statement
- The LSP has an exclude statement, and either the link belongs to an administrative group specified in the exclude statement or the link does not belong to any administrative group at all

3. Using the remaining links, calculate the shortest path through the MPLS domain.

Using the links that were not eliminated in the previous step, the device calculates the shortest path between the ingress and egress LERs. When the LSP is configured to use an explicit path, the device individually calculates the shortest path between each node in the path. Refer to [“Setting up paths”](#) for more information on explicit paths.

By default, the path calculated by CSPF can consist of no more than 255 hops, including the ingress and egress LERs. The user can optionally change this maximum to a lower number. Refer to [“Limiting the number of hops the LSP can traverse”](#).

4. When multiple paths have the same cost, select one of them.

The shortest path calculation performed in the previous step may result in multiple, equal-cost paths to the egress LER. In this case, the device chooses the path whose final node is the physical address of the destination interface.

When more than one path fits this description, by default, the device chooses the path with the fewest hops. When multiple paths have this number of hops, the device chooses one of these paths at random. The user can optionally configure the device to choose the path that has either the highest available bandwidth or the lowest available bandwidth. Refer to [“Specifying a tie-breaker for selecting CSPF equal-cost paths”](#).

The output of the CSPF process is a traffic-engineered path, a sequential list of the physical interfaces that packets assigned to this LSP pass through to reach the egress LER. Once the traffic-engineered path has been determined, RSVP signaling attempts to establish the LSP on each LSR in the path. Refer to the next section, [“How RSVP establishes a signaled LSP”](#), for a description of how this works.

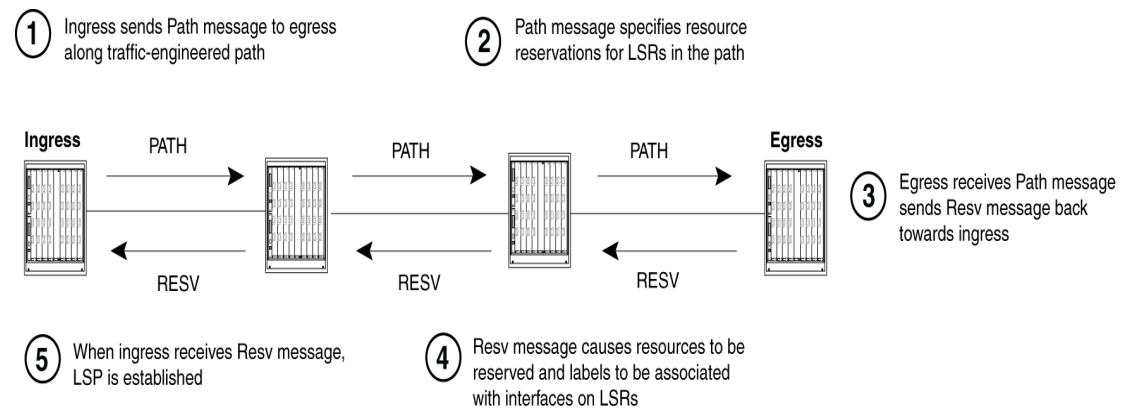
## How RSVP establishes a signaled LSP

The traffic-engineered path calculated by CSPF consists of a sequential list of physical interface addresses, corresponding to a path from the ingress LER to the egress LER. Using this traffic-engineered path, RSVP establishes the forwarding state and resource reservations on each LSR in the path.

As with OSPF, special extensions for traffic engineering are defined for RSVP. These extensions include the EXPLICIT\_ROUTE, LABEL\_REQUEST, LABEL, and RECORD\_ROUTE objects in addition to the Fixed Filter (FF) reservation style. These extensions are described in RFC 3209.

The following diagram illustrates how RSVP establishes a signaled LSP.

**FIGURE 6 How RSVP establishes a signaled LSP**



RSVP signaling for LSPs works as described below.

1. The ingress LER sends an RSVP Path message towards the egress LER.

The Path message contains the traffic engineered path calculated by the CSPF process, specified as an EXPLICIT\_ROUTE object (ERO). The Path message travels to the egress LER along the route specified in the ERO.

The Path message also describes the traffic for which resources are being requested and specifies the bandwidth that needs to be reserved to accommodate this traffic. In addition, the Path message includes a LABEL\_REQUEST object, which requests that labels be allocated on LSRs and tells the egress LER to place a LABEL object in the Resv message that it sends back to the ingress LER.

Before sending the Path message, the ingress LSR performs *admission control* on the outbound interface, ensuring that enough bandwidth can be reserved on the interface to meet the LSPs requirements. Admission control examines the LSPs configured *setup priority* and *mean-rate* settings. For the LSP to pass admission control, the outbound interface must have reservable bandwidth at the LSPs setup priority level that is greater than the amount of bandwidth specified by the LSPs mean-rate setting. Refer to “[Admission control, bandwidth allocation, and LSP preemption](#)”, for more information and examples of this process.

2. The Path message requests resource reservations on the LSRs along the path specified in the ERO.



# 1 Traffic engineering database

When the LSP passes admission control, the ingress LER sends a Path message to the address at the top of the ERO list. This is the address of a physical interface on the next LSR in the path. As the ingress LER did, this LSR performs admission control to make sure the outbound interface has enough reservable bandwidth to accommodate the LSP.

When the LSP passes admission control, the LSR then removes its address from the top of the ERO list and sends the Path message to the address now at the top of the ERO list. This process repeats until the Path message reaches the last node in the ERO list, which is the egress LER.

3. The egress LER receives the Path message and sends a Resv message towards the ingress LER.

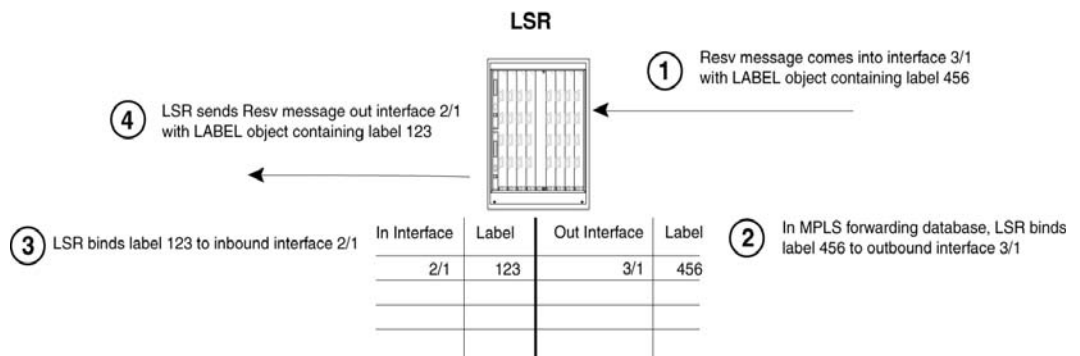
Resv messages flow upstream from the receiver of the Path message to the sender (that is, from the egress LER to the ingress LER), taking the exact reverse of the path specified in the ERO. In response to the LABEL\_REQUEST object in the Path message, the Resv message from the egress LER includes a LABEL object. The LABEL object is used to associate labels with interfaces on the LSRs that make up the LSP.

4. As the Resv messages travel upstream, resources are reserved on each LSR.

When an LSR receives a Resv message, it again performs admission control on the interface where the Resv message was received (that is, the interface that is the outbound interface for packets travelling through the LSP). When the LSP still passes admission control, bandwidth is allocated to the LSP. The LSR allocates the amount of bandwidth specified by the LSPs mean-rate setting, using bandwidth available to its *hold priority* level. This may cause lower priority LSPs active on the device to be preempted.

Once bandwidth has been allocated to the LSP, the LABEL object in the Resv message is used to associate labels with interfaces in the LSRs MPLS forwarding table. [Figure 7](#) shows an example of how this works.

**FIGURE 7 How the RSVP LABEL object associates a label with an interface in the MPLS forwarding table**



In the example above, the LSR receives a Resv message on interface 3/1 from the downstream LSR in the ERO. The Resv message has a LABEL object containing label 456. After performing admission control and bandwidth allocation, the LSR adds an entry to its MPLS forwarding table for this LSP, associating label 456 with outbound interface 3/1.

The LSR then takes a label from its range of available labels (for example, 123) and places it in the LABEL object in the Resv message that it sends to the upstream LSR. In this example, the LSR sends the Resv message out interface 2/1 to the upstream LSR in the ERO. In its MPLS forwarding table for this LSP, the LSR associates label 123 with inbound interface 2/1.



This process repeats at each LSR until the Resv message reaches the ingress LER.

---

**NOTE**

To enable penultimate hop popping for the LSP, the LABEL object sent by the egress LER to the penultimate LSR contains a value of 3 (Implicit Null Label). This is an IETF-reserved label value that indicates to the penultimate LSR that it must pop the label of MPLS-encoded packets that belong to this LSP.

---

5. Once the Resv message reaches the ingress LER, and the process described in Step 4 takes place, the LSP is activated. At this point each LSR in the LSP has reserved resources, allocated labels, and associated labels with interfaces. The LSP is activated, and the ingress LER can assign packets to the LSP.

## Refresh messages

Once a signaled LSP is enabled at the ingress LER, the router persistently attempts to establish the LSP through periodic retries until the LSP is successfully established. To maintain the forwarding states and resource reservations on the routers in an LSP, Path and Resv messages are exchanged between neighboring LSRs at regular intervals. When these refresh messages are not received on the routers in the LSP, the RSVP forwarding states and resource reservations are removed. The user can control how often the Path and Resv messages are sent, as well as how long the device waits before removing forwarding states and resource reservations. Refer to [“Global RSVP parameters”](#) for more information. The user can also use reliable messaging and refresh reduction to reduce RSVP message bandwidth and improve the dependability of RSVP paths and reservations states. Refer to [“RSVP reliable messaging”](#) and [“RSVP refresh reduction”](#) for details.

## Admission control, bandwidth allocation, and LSP preemption

When a Resv message is received on an LSR, admission control determines whether the LSP can be established, based on its configured priority. When an LSP passes admission control, bandwidth is allocated to the new LSP, possibly preempting existing LSPs that have lower priority.

An LSPs priority consists of a *setup* priority and a *hold* priority. The setup priority is the priority for taking resources; the hold priority is the priority for holding resources. An LSPs setup priority is considered during admission control, and its hold priority is considered when bandwidth is allocated to the LSP. The setup and hold priorities are expressed as numbers between zero (0) (highest priority level) and seven (7)(lowest priority level). An LSPs setup priority must be lower than or equal to its hold priority. The user can configure either of these values for an LSP; by default, an LSPs setup priority is seven and its hold priority is zero.

On an MPLS-enabled interface, a certain amount of bandwidth is allocated for usage by LSPs; this amount can be either the maximum available bandwidth on the interface (the default) or a user-specified portion. The amount of bandwidth an individual LSP can reserve from this pool of allocated bandwidth depends on two user-configured attributes of the LSP: the LSPs priority and the LSPs *mean-rate* (the average rate of packets that can go through the LSP). The following conditions also apply:

- For an LSP to pass admission control, the bandwidth available to its setup priority level must be greater than the value specified by its mean-rate.
- When an LSP passes admission control, the bandwidth specified by its mean-rate is allocated to the LSP, using bandwidth available to its hold priority level.
- For the allocation of bandwidth to the new LSP, the system might preempt existing, lower-priority LSPs.

# 1 Traffic engineering database

When setting up an LSP, the device actually performs admission control twice: when the Path message is received and when the Resv message is received. When the LSP passes admission control after the Resv message is received, bandwidth allocation and LSP preemption take place.

The sections that follow include examples of how admission control, bandwidth allocation, and preemption work.

## Admission control

Admission control examines the LSPs setup priority and mean-rate settings to determine whether the LSP can be activated. To pass admission control, the reservable bandwidth available at the LSPs setup priority level must be greater than the value specified by its mean-rate.

For example, when the maximum reservable bandwidth on an interface is 10,000 Kbps and no LSPs are currently active, the amount of reservable bandwidth on the interface for each priority level would be as follows:

Priority	Unreserved Bandwidth
0	10,000
1	10,000
2	10,000
3	10,000
4	10,000
5	10,000
6	10,000
7	10,000
Active LSPs: None	

The LSR receives a Resv message for an LSP that has a configured setup priority of 6 and a hold priority of 3. The mean-rate specified for this LSP is 1,000 Kbps. For priority level 6, up to 10,000 Kbps can be reserved. Because the configured mean-rate for this LSP is only 1,000 Kbps, the new LSP passes admission control.

## Bandwidth allocation

Once the LSP passes admission control, bandwidth is allocated to it. The bandwidth allocation procedure examines the LSPs hold priority and mean-rate settings. The amount of bandwidth specified by the mean-rate is allocated to the LSP, using reservable bandwidth available at the LSPs hold priority level.

In this example, the LSPs hold priority is three and mean-rate is 1,000 Kbps. On this interface, for priority level three, up to 10,000 Kbps can be reserved. The amount of bandwidth specified by the mean-rate (1,000 Kbps) is allocated to the LSP.

After bandwidth is allocated to this LSP, the amount of unreserved bandwidth on the interface is reduced accordingly. In the example, the reservable bandwidth array for the interface now looks like this:

Priority	Unreserved Bandwidth
0	10,000
1	10,000
2	10,000
3	9,000
4	9,000
5	9,000
6	9,000
7	9,000

Active: LSP with setup 6, hold 3, mean-rate 1,000

Given the bandwidth allocation above, when an LSP is established with a setup priority of three and a mean-rate of 9,500 Kbps, it would not pass admission control because only 9,000 Kbps is available at priority 3.

## LSP preemption

When there is not enough unallocated bandwidth on an interface to fulfill the requirements of a new LSP that has passed admission control, existing LSPs that have a lower priority may be preempted. When preemption occurs, bandwidth allocated to lower-priority LSPs is reallocated to the higher-priority LSP. LSP preemption depends on the bandwidth requirements and priority of the new LSP, compared to the bandwidth allocation and priority of already existing LSPs.

When LSP preemption is necessary, the device uses the following rules:

### NOTE

LSP preemption rules have changed to improve the scalability and performance for Fast Reroute (FRR) enabled LSPs. Please see bullets three and four below for changes to LSP preemption for FRR enabled LSPs. Changes to LSP preemption for FRR enabled LSPs is supported on Brocade MLX series, Brocade NetIron XMR, Brocade NetIron CER, and Brocade NetIron CES devices.

- Preempt existing LSPs that have lower priority than the new LSP
- When several existing LSPs have lower priority than the new LSP, preempt the LSP that has the lowest priority
- When two LSPs have equal priority and one LSP must be preempted, preempt the LSP which is currently FRR enabled irrespective of its bandwidth requirement
- Preempt as many FRR enabled LSPs as necessary before preempting unprotected LSPs of the same priority. For example, when both FRR enabled LSPs and non-FRR enabled LSPs are configured, the system attempts its best to preempt FRR enabled LSPs first before preempting non-FRR enabled LSPs until the bandwidth requirement is met for a new high priority LSP.

In the example above, bandwidth has been allocated to an LSP that has a hold priority of three and a mean-rate of 1,000 Kbps. When a new LSP with a setup priority of two, hold priority of one, and mean-rate of 10,000 Kbps is established, admission control, bandwidth allocation, and LSP preemption work as described below.

# 1 Traffic engineering database

1. Admission control: On the interface, there is 10,000 Kbps available to priority two. The mean-rate for the new LSP is 10,000, so the LSP passes admission control; bandwidth can be allocated to it.
2. Bandwidth allocation: The hold priority for the new LSP is one. On the interface, 10,000 Kbps is available to priority one. This entire amount is allocated to the LSP.
3. LSP preemption: The first LSP had been using 1,000 Kbps of this amount, but its hold priority is only three. Consequently, the first LSP is preempted, and its bandwidth allocation removed in order to make room for the new LSP.

Once this happens, the reservable bandwidth array for the interface looks like this:

Priority	Unreserved Bandwidth
0	10,000
1	0
2	0
3	0
4	0
5	0
6	0
7	0

Active: LSP with setup 2, hold 1, mean-rate 10,000  
Preempted: LSP with setup 6, hold 3, mean-rate 1,000

On this interface, the only LSP that could preempt the active LSP would be have a setup and hold priority of zero.

When multiple LSPs are candidates for preemption, the device normally preempts the LSP with the lowest priority. However, when preempting a higher priority LSP with a high bandwidth requirement would allow lower priority LSPs with lower bandwidth requirements to avoid preemption, the higher-priority LSP is preempted.

For example, consider an interface with 10,000 Kbps of reservable bandwidth, allocated to two active LSPs: one with a setup priority of three, hold priority of two, and mean-rate of 5,000 Kbps; and another with a setup priority of four, hold priority of three, and mean-rate of 2,500 Kbps. When an LSP with a setup priority of one, hold priority of zero, and mean-rate of 7,500 Kbps is established, the following take place.

1. Admission control: On the interface, there is 10,000 Kbps available to priority one. The mean-rate for the new LSP is 7,500 Kbps, so the LSP passes admission control; bandwidth can be allocated to it.
2. Bandwidth allocation: The hold priority for the new LSP is 0. On the interface, 10,000 Kbps is available to priority zero. Of this amount, seven,500 Kbps is allocated to the new LSP.
3. LSP preemption: To reserve enough bandwidth for the new LSP, one of the active LSPs must be preempted. The LSP with hold priority two uses 5,000 Kbps, and the LSP with hold priority three uses 2,500 Kbps. Instead of preempting both LSPs, the device preempts the higher priority LSP and its allocation of 5,000 Kbps. This clears enough bandwidth to allow both the new LSP and the lower priority LSP to be active.

After preemption, the reservable bandwidth array for the interface looks like this:

Priority	Unreserved Bandwidth
0	2,500
1	2,500
2	2,500
3	0
4	0
5	0
6	0
7	0

Active: LSP with setup 1, hold 0, mean-rate 7,500  
 LSP with setup 4, hold 3, mean-rate 2,500  
 Preempted: LSP with setup 3, hold 2, mean-rate 5,000

## Calculating a path based on an interface address

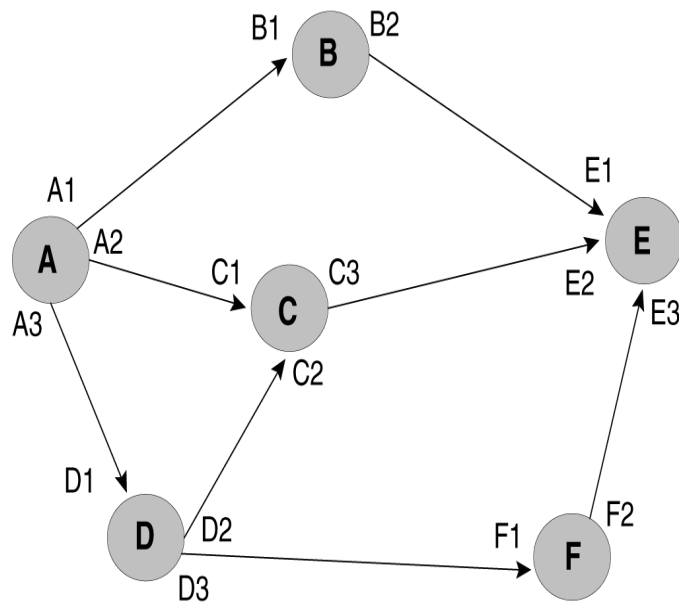
Under normal conditions, router IDs are used to configure hops within an MPLS path. In situations where the user wants to exercise more control over the path, the user can specify actual interface addresses in the MPLS path to make sure that the path traverses the interface specified. In previous versions, the CSPF calculation would always resolve a specified interface address to the router ID. Consequently, although a particular interface on a router is specified, the CSPF calculation can end up connecting the path through a different interface on the router where the interface has been specified.

In the network described in [Figure 8](#), the source node is “A” and the destination node is “E”. In this configuration, incoming and outgoing interfaces are defined in the figure by their relationship to where the arrowhead on the connecting line points. The arrowheads point to the incoming interface from the outgoing interface. For instance “A1”, “A2” and “A3” are the outgoing interfaces of node A and “C1” and “C2” are the incoming interfaces of node C. The following example describes how the router might calculate a path between “A” and “B” under the default operating condition.

In this example, an MPLS path has been configured with a source “A” and a destination “E1”. Under default operation, the interface “E1” destination is resolved to the routerID for “E”. This means that the path can be calculated to arrive at the “E” node on any of the following interfaces: “E1”, “E2” or “E3”. While a path that travels from node “A” to node “B” to node “E” is the only path that actually satisfies the intent of the configuration, any of the following paths could be created by CSPF under the default operation condition: “A” to “C” to “E”, “A” to “D” to “C” to “E” or “A” to “D” to “F” to “E”.

**FIGURE 8** Calculating a path based on an interface

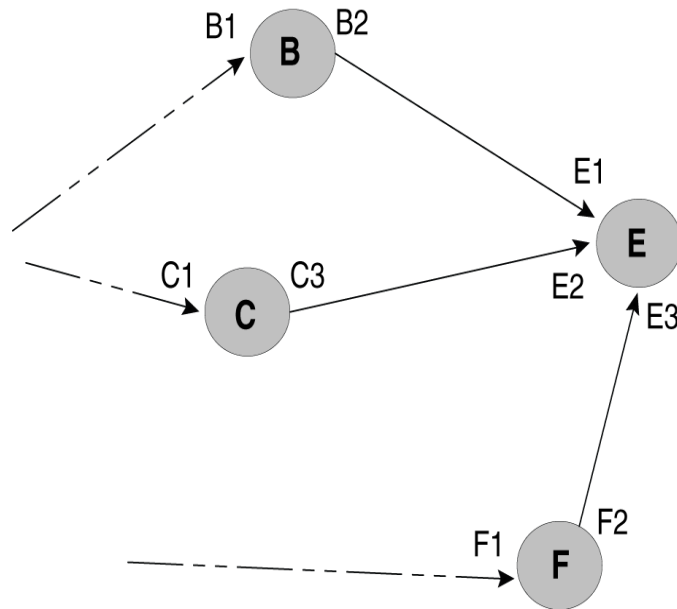
# 1 Traffic engineering database



The global `csfp-interface-constraint` command directs the router to include the interface address as a constraint when it determines the shortest path. When invoked, this command ensures that a specified interface must be included in an LSP. This constraint can be turned on and off dynamically and does not affect established primary or secondary LSPs. CSPF interface constraint is significant for the ingress node only, where CSPF calculation takes place for an LSP.

When configuring CSPF interface constraint, the user must be aware that the imposition of this additional constraint can increase the possibility of no path being found where otherwise there could be a path. One case where this can occur is where the path required to conform to the interface constraint fails the configured bandwidth constraint. Additionally, no path may be found where a configured path contains an inherently contradictory condition. For example, when a path is configured “B1 (strict) to E2 (loose) as shown in Figure 9, no path is found. This is because CSPF always appends B1 into the final CSPF path. This has the effect of making “B” the source node of the next hop and therefore excludes “E1 as a traversed interface in subsequent paths to the destination node “E”. Consequently, in this example the LSP is down. However, when the `csfp-interface-constraint` command is not active, a CSPF path is found and the LSP goes up.

**FIGURE 9** Example of where no path is found



The cspf-interface-constraint command is described in [“Configuring CSPF interface constraint”](#).

## MPLS Point-to-Multipoint Traffic Engineering

The MPLS Point-to-Multipoint (P2MP) feature enables forwarding of information from a single source to multiple destinations along an optimized MPLS path. P2MP feature is ideal for transporting multicast data traffic, leveraging MPLS, and using optimal bandwidth utilization of the network’s links.

The P2MP feature supports the following RFCs:

- RFC 4875: Extensions to Resource Reservation Protocol - Traffic Engineering (RSVP-TE) for Point-to-Multipoint TE Label Switched Paths (LSPs)
- RFC 4461: Signaling Requirements for Point- to-Multipoint Traffic-Engineered MPLS Label Switched Paths (LSPs)
- RFC 2961: RSVP Refresh Overhead Reduction Extensions
- RFC 3209: RSVP-TE: Extensions to RSVP for LSP Tunnels
- RFC 2205: Resource ReSerVation Protocol (RSVP) – Version 1 Functional Specification

[Figure 10](#) shows the network topology of a P2MP network.

**FIGURE 10** MPLS P2MP network topology

# 1 MPLS Point-to-Multipoint Traffic Engineering

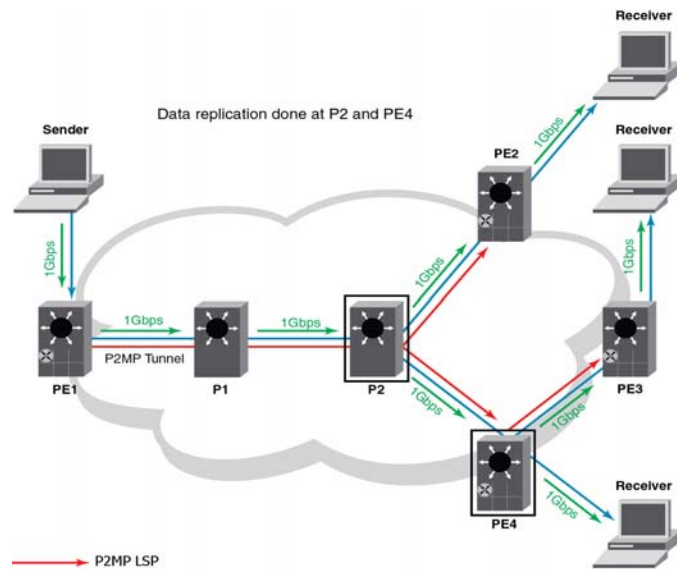


Figure 10 displays a P2MP LSP originating at PE1 and ending at the three destinations PE2, PE3, and PE4. As depicted in the topology diagram, the bandwidth utilization across the network is 1 Gbps.

The P2MP network consists of the following key elements in the topology.

- PE1: The source or the root or the ingress label switch router (LSR).
- P1 and P2: The transit routers.
- PE2, PE3, and PE4: The destination or the leaves or the egress LSRs.
- P2 is known as the branch node since it has more than one directly connected downstream LSRs.
- PE4 is known as the bud node since it has directly connected local receivers. It also acts like a branch router.
- The path of a P2MP LSP from its ingress LSR to all egress LSRs is known as the P2MP tree. In Figure 10, the P2MP tree is rooted at PE1 with leaves at PE2, PE3 and PE4.

## P2MP LSP mechanism

The P2MP LSP mechanism of forwarding MPLS traffic from a single source to multiple destinations is explained using Figure 10.

1. PE1 sends out multicast data of 1 Gbps to the destination LSRs. Let us assume that PE1 learns that PE2, PE3, and PE4 form a P2MP LSP tree.
2. PE1 sends multicast data to reach P2. The path taken by the LSP is PE1→P1→P2.
3. At P2 and PE4, data gets replicated and the multicast data reaches the egress routers.
4. The egress routers route the multicast data to the specified receivers.



## Prerequisites and limitations

- P2MP feature supports transit and branch functionality only.
- FPGA-based second generation line cards support P2MP LSP feature. This feature is not supported by FPGA-based first generation line cards and 24x10G module line cards. In a network deployment with a router having both first generation and second generation line cards, the feature provides the following responses to specific scenarios:
  - Router receives packets on a first generation port – The control packet is dropped and an error message (if applicable) is returned to the ingress so that the user can find an alternative path for the P2MP LSP.
  - Router transmits packets on a first generation port – The control packet is dropped and an error message (if applicable) is returned to the ingress so that the user can find an alternative path for the P2MP LSP.
  - LAG and VE ports with either generation line cards – If a P2MP control message is received on a LAG or VE, or sent by a LAG or VE, that has at least one member port of FPGA-based first generation line card, the control message is dropped and/ or an error message is returned.
  - Modifying LAG or VE on the fly – While adding a first generation member port to an existing LAG or VE port, if the LAG or VE is an incoming or outgoing port for at least one P2MP LSP, then all associated P2MP LSPs are torn down.
- Each P2MP LSP requires one mapped VLAN ID (MVID) at the transit router. When the system runs out of MVID resources, a new incoming Path message for P2MP session is rejected and a Path error message is sent back indicating that the system is out of resource.
- Any P2MP LSPs transiting through the router will no longer come up if there is an image downgrade.
- The following P2MP features are not supported:
  - Ingress features
  - Egress features
  - Bud node features
  - Data traffic load balancing over LAG
  - Fast ReRoute (FRR)
  - LSP stitching and LSP hierarchy
  - Soft preemption

## Scalability limitations

- Maximum number of P2MP sessions – The number of P2MP sessions supported at a transit or branch router is limited by the replication entry resource. There are 2000 replication entries available on a Brocade MLX Series device. Therefore the maximum number of P2MP sessions supported is 2000.
- Maximum number of total branches – Each FPGA XPP image supports a maximum of 8000 replications. That is, one incoming packet can be replicated into 8000 copies by one XPP. Depending on the number of XPPs on a line card, the total number of branches supported will vary. For example, on a 8x10 module with two network processors, there are a maximum of 16000 branches supported.

- Maximum number of branches per P2MP LSP – There is no limit on number of branches per P2MP LSP. However, considering the linear behavior as detailed in RFC 4461 about number of egress points and branch LSRs, the standard recommendation is 64 branches per P2MP.
- Maximum number of LSPs and XCs – On the Brocade NetIron CER device, the maximum number of LSPs are 512 with 4000 S2Ls. On the Brocade NetIron CES device, the maximum number of LSPs are 128 with 1000 S2Ls.

## Benefits of P2MP

The benefits of P2MP feature are:

- Efficiently uses the bandwidth in the network
- Improves the overall capacity of the network
- Efficiently transports broadcast, multicast, and unknown unicast packets

## P2MP LSP Traffic-Engineering (TE) Constraints

P2MP LSPs can be configured with various TE constraints to control the path that it should take. The following TE constraints are applicable to P2MP LSP:

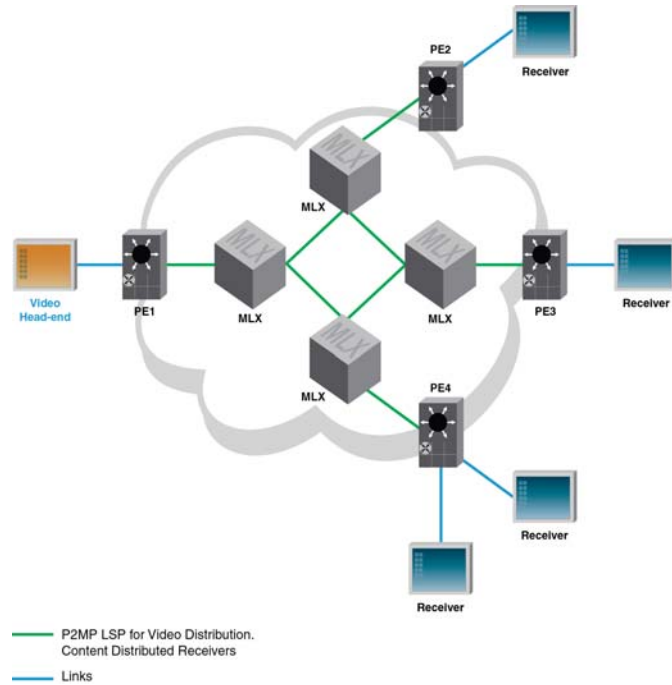
- Bandwidth
- Priority
- Least-fill/most-fill/random tie-breaking when there are ECMP path for the LSP available
- Administrative groups
- Explicit path (user-configured) with strict/loose hops, and so on.

## Use case scenario: Transit LSR application for one-to-many applications

Brocade MLX Series routers can be deployed as core transit routers for customers with multiple vendor devices that act as PE devices. In such a deployment scenario, when P2MP LSP applications are deployed, the Brocade MLX Series routers behave as transit and/or branch routers for the P2MP LSP network. Applications such as content distribution, financial services, video distribution, IP multicast distribution, IPTV, and others, use P2MP topologies for efficient data traffic routing. Customers who deploy these services can expect Brocade MLX Series transit routers to support P2MP branch functionality which efficiently replicates the incoming data to egress nodes.

The following deployment scenario indicates Brocade MLX Series routers in the core of the network with other vendor devices at the edge (PE) acting as ingress, egress, and bud nodes. In [Figure 11](#), PE1 is the ingress node for the P2MP LSP while PE2, PE3, and PE4 are egress nodes.

**FIGURE 11 Brocade MLX Series router in transit LSR application**



## Source-to-leaf sub-LSP

The P2MP LSP topology as observed in [Figure 10](#) consists of multiple point-to-point LSPs that originate from the source device and terminate at a destination device or a leaf. These LSPs are known as source-to-leaf (S2L) sub-LSPs. These S2L sub-LSPs can either be signaled in individual Path and Resv messages, or can be combined into a small number of messages.

---

### NOTE

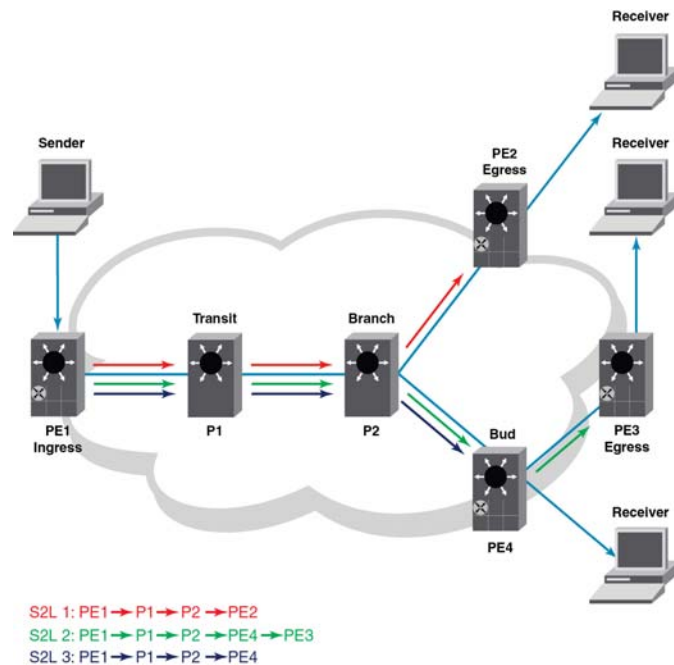
Brocade devices support only one S2L signaling per Path message and reject Path messages if there are more than one S2L LSPs from other vendor routers.

---

[Figure 12](#) indicates three S2L sub-LSPs – S2L1, S2L2, and S2L3, in a P2MP tunnel.

**FIGURE 12 P2MP S2L sub-LSPs**

# 1 MPLS Point-to-Multipoint Traffic Engineering



Though S2L sub-LSPs are signaled in separate Path and Resv messages, they are always part of the same P2MP LSP. LSRs such as P2 in Figure 12, handle multiple incoming S2L sub-LSPs on the same interface, allocates a single label and advertises it to LSR P1. It avoids unnecessary duplication of traffic in the data plane.

## S2L sub-LSP groups

S2L sub-LSPs can further be grouped into sub-groups using a node that is part of the P2MP LSP. Such sub-groups should be signaled in a separate Path message or Resv message. In Figure 12, P2 groups S2L2 and S2L3 into a sub-group. Each sub-group is identified by the sub-group originator ID (LSR P2) and the sub-group ID (assigned by LSR P2). Brocade devices support only one S2L sub-LSP per Path or Resv message.

## Grafting

The process of adding new egress LSRs to an existing P2MP LSP is known as grafting. Grafting can be achieved using any one of the following methods:

- Implicit – Adding new S2L sub-LSPs to an existing Path message and refreshing the entire Path message.
- Explicit – Adding egress LSRs by signaling only the impacted or the new S2L sub-LSPs in a new Path message.

---

### NOTE

Brocade devices support the explicit method of adding LSRs only and do not support the implicit method.

---

## Pruning

The process of removing egress LSRs from an existing P2MP LSP is known as pruning. It allows removal of egress nodes from a P2MP LSP at different points in time. Pruning can be achieved using any one of the following signaling methods:

- Implicit S2L Sub-LSP Teardown – Sending a modified Path message that includes all S2L sub-LSPs except the one that is being pruned.
- Explicit S2L Sub-LSP Teardown – Sending a Path Tear message for the corresponding Path message. Path Tear message contains P2MP session-object and sender template object to uniquely identify any S2L Sub-LSP that is being pruned.

---

### NOTE

Brocade devices support the explicit method of pruning LSRs only and do not support the implicit method.

---

## RSVP refresh reduction support to P2MP

RSVP refresh reduction feature support is extended to P2MP LSPs. The following refresh reduction extensions are applicable to P2MP.

- Reliable messaging
- Guaranteed message delivery (ACK, Retransmission)
- Message bundling
- Combined multiple RSVP messages into one
- Summary refresh

## RSVP soft preemption

RSVP soft preemption implements a suite of protocol modifications extending the concept of preemption with the goal of reducing or eliminating traffic disruption of TE LSPs. It is achieved by using additional signaling and maintenance mechanisms to alert the ingress LER of the preemption that is pending and allows for temporary control-plane under-provisioning while the preempted tunnel is rerouted in a non-disruptive fashion (make before-break) by the ingress LER. During the period that the tunnel is being rerouted, link capacity is under-provisioned on the midpoint where preemption was initiated and potentially one or more links upstream along the path where other soft preemptions may have occurred. Soft preemption is a property of the LSP and is disabled by default.

The default preemption in an MPLS-TE network is hard preemption. This is helpful in cases where actual resource contention happens in the network. Soft Preemption provides flexibility for operators to select the type of preemption based on network conditions.

MPLS soft preemption is useful for network maintenance. For example, all LSPs can be moved away from a particular interface, and then the interface can be taken down for maintenance without interrupting traffic. MPLS soft preemption is also useful in dynamic networks where preemption often occurs.

# 1 RSVP soft preemption

Only adaptive and non-FRR LSPs could be enabled for soft preemption. LSPs which are adaptive and without FRR configuration have the facility to enable or disable the soft preemption feature without disabling the LSP. When the soft preemption configuration is changed, RSVP is notified for this change and a new Path message is triggered with the soft preemption desired flag bit (0x40) set in session attribute for signaling.

## Frequently used terms

Point of preemption - The midpoint (transit) or ingress LSR which, due to RSVP provisioning levels, is forced to either hard preempt or under-provision and signal soft preemption.

Hard preemption - The (typically default) preemption process in which lower priority TE LSPs are intrusively displaced at the point of preemption by high priority TE LSP. In hard preemption, the TE LSP is torn down before reestablishment.

Soft preemption - Soft preemption attempts to establish a new path for a preempted LSP before tearing down the original LSP.

Under-provisioned bandwidth (BW) - Amount of BW which is released as a result of preemption but not yet actuated from the data plane point of view. It is actuated when the preempted LSP is torn down as a result of the new MBB setup or hard preemption is triggered by point of preemption.

Soft preemption wait timer value - The soft preemption wait timer value is the time in seconds for which the point of preemption router waits to receive the Path tear message for the preempted session. In case the Path Tear is not received from the ingress and the wait timer expires, point of preemption router again initiates the path error message intimating hard preemption of this session with error code two, error value zero.

## Configuration considerations

- Only adaptive LSPs could be configured with soft preemption capability.
- No FRR enabled LSP can be enabled for soft preemption. Vice versa is also true.
- No guarantee of preempting soft preempt-able LSP first. The protected FRRLSP is preempted first and then the unprotected LSPs. The behavior remains the same except, in unprotected LSPs which requests soft preemption would be soft preempted.
- Bypass LSPs cannot be enabled for soft preemption.
- In the case of an LSP passing through a series of routers running mixed releases (NetIron R05.4.00 and lower), with soft preemption enabled, the user may see delayed propagation of the soft preemption bit downstream from the first router running lower than NetIron R05.4.00.
- When bit 0x40 is not propagated to all downstream routers, soft preemption behavior does not occur. The same is true when de-configuring soft preemption. Soft preemption may occur when the 0x40 bit reset signaling has not propagated to the point of preemption on a downstream router.

### Upgrade and downgrade considerations

- Downgrading Ingress router to lower release, soft preemption configuration is lost.
- Downgrading transit-router to lower releases where MPLS soft preemption functionality is not supported, the user will see hard preemption behavior for all LSPs irrespective of soft preemption desired request, where this router is acting as point of preemption.

## Configuring RSVP soft preemption

Soft preemption capability on unprotected adaptive LSPs (which is disabled by default) can be configured irrespective of its state (enable or disable).

Non-adaptive and/or FRR enabled LSPs cannot be configured with soft preemption capability. In this scenario, the LSP must be disabled first to configure soft preemption based on the policies, other changes also may be required, such as removing FRR.

All secondary paths configured on the LSP would be allowed to have soft preemption configured independently.

The following steps must be followed to configure soft preemption.

1. Configure LSP.
2. Configure LSP as adaptive.
3. Configure primary path, when intended.
4. When FRR is configured, remove the FRR configuration.
5. Configure soft preemption.
6. Configure secondary paths.
7. For each secondary path, where soft preemption is intended to be configured, mark them adaptive, when already not adaptive, configure SOFT preemption.
8. Enable LSP.

### RSVP soft preemption configuration example

```
Brocade(config-mpls-path-sec)# lsp test
Brocade(config-mpls-lsp-test)# to 10.1.1.100
Brocade(config-mpls-lsp-test)# traffic-eng mean-rate 100
Brocade(config-mpls-lsp-test)# adaptive
Brocade(config-mpls-lsp-test)# soft-preemption
Brocade(config-mpls-lsp-test)# secondary
Brocade(config-mpls-lsp-test)# secondary-path sec
Brocade(config-mpls-lsp-test)# traffic-eng mean-rate 100
Brocade(config-mpls-lsp-test-secpath-sec)# adaptive
Brocade(config-mpls-lsp-test-secpath-sec)# soft-preemption
Brocade(config-mpls-lsp-test-secpath-sec)# enab
Connecting signaled LSP test
Brocade(config-mpls)#
```

## Detailed command information

### Soft-preemption

The soft-preemption command enables soft preemption functionality. This command must be used on both, the primary and secondary paths.

#### Primary path example

```
Brocade(config-mpls-lsp-test)# soft-preemption
```

# 1 RSVP soft preemption

Syntax: [no] soft-preemption

The [no] function disables soft preemption for the path on which the command is executed.

Secondary path example

```
Brocade(config-mpls-lsp-test-secpath-sec)# soft-preemption
```

## Soft-preemption cleanup-timer

Use the soft-preemption cleanup-timer command is used to set the amount of time that the point of preemption must wait to receive the Path tear notification from the ingress LSR, before sending a hard preemption path error.

```
Brocade(config-mpls-policy)# soft-preemption cleanup-timer 30
```

Syntax: [no] soft-preemption cleanup-timer *decimal-value*

The *decimal-value* is the time the point of preemption wait must to receive the Path tear notification from the ingress LSR, before sending a hard preemption path error. Values ranging from 1 - 29 are not valid values for this timer. The default setting is 30 seconds. The acceptable range for this timer is 30 - 300. Zero indicates soft preemption is disabled on the router.

The [no] function returns the timer value settings to the default setting (30 seconds).

## Display output

### Show mpls policy

Use the show mpls policy command to view the current policy.

```
Brocade# show mpls policy
Current MPLS policy settings:
  CSFP interface constraint: disabled
  . . . .
  . . . .
  Soft preemption cleanup-timer: 30 seconds
  . . . .
  . . . .
```

### Show running or startup config

The auto-bandwidth configuration parameters are recorded in the running config.

```
router mpls
  policy
    traffic-eng ospf
    soft-preemption cleanup-timer 100
lsp t2
  to 10.9.9.9
  primary p1
  traffic-eng mean-rate 5000
  adaptive
```



```

soft-preemption
secondary p2
  traffic-eng mean-rate 5555
  adaptive
  soft-preemption
enable

```

## Show mpls lsp extensive

Use the show mpls lsp extensive command to view the policy and detailed history.

Syntax: Show mpls lsp *lsp name* [detail | extensive]

```

Brocade(config-mpls)# show mpls lsp name low ext
LSP low, to 10.80.80.80
  From: 10.40.40.40, admin: UP, status: UP, tunnel interface(primary path): tn11
  Times primary LSP goes up since enabled: 1
  Metric: 0, number of installed aliases: 0 Adaptive
  Maximum retries: NONE, no. of retries: 0
  Pri. path: NONE, up: yes, active: yes
  Setup priority: 3, hold priority: 3
  Max rate: 0 kbps, mean rate: 1000 kbps, max burst: 0 bytes
  Constraint-based routing enabled: yes
  Path calculated using constraint-based routing: yes
  Path calculated using interface constraint: no
  cost: 3
  Tie breaking: random, hop limit: 0
  LDP tunneling enabled: no
  Soft preemption enabled: yes
  Active Path attributes:
    Tunnel interface: tn11, outbound interface: e1/1
    Tunnel index: 3, Tunnel instance: 3 outbound label: 1026
    Auto-bandwidth is globally disabled.
  Recorded routes:
    Protection codes: P: Local N: Node B: Bandwidth I: InUse
    10.1.1.5 -> 10.11.11.7 -> 10.8.8.8
History
  11 Nov 21 08:56:20 : Path received path-error from 10.1.1.5. Error code 21,
Error value: 2:
  12 Nov 21 08:56:54 : LSP simple retry[2 times]
  13 Nov 21 08:57:24 : CSPF-Computation successful for Primary path . Route:
->10.1.1.5->10.11.11.7->10.8.8.8
  14 Nov 21 08:57:24 : Primary path setup successful for New instance of Path
  15 Nov 21 08:57:24 : Tunnel added or updated, out-interface: e1/1, out-label
1027
  16 Nov 21 08:57:24 : New instance of Primary path is Active
  17 Nov 21 08:58:52 : Path received path-error from 10.11.11.7. Error code 24,
Error value: 8:MPLS Service Break
  18 Nov 21 08:58:52 : Primary path torn down
  19 Nov 21 08:58:52 : LSP tunnel is DOWN
  20 Nov 21 08:58:52 : Tunnel deleted
  21 Nov 21 08:58:52 : CSPF-Computation successful for Primary path . Route:
->10.1.1.5->10.11.11.7->10.8.8.8[2 times]
  22 Nov 21 08:58:52 : Path received path-error from 10.11.11.7. Error code 24,
Error value: 5:No route to destination

```

# 1 RSVP soft preemption

```
23 Nov 21 08:58:54 : LSP simple retry[2 times]
. . . .
. . . .
. . . .
```

## Show mpls rsvp session extensive

Use the show mpls rsvp session extensive command to view the policy and detailed history.

Syntax: Show mpls rsvp session *lsp name* [detail | extensive]

```
Brocade(config-mpls)# show mpls rsvp sess name low ext
Codes: DI:Ingress Detour DT:Transit Detour DM:Merged Detour
       DE:Egress Detour BI:Ingress Backup BM: Merged Backup BE:Egress Backup
       RP:Repaired Session BYI: Bypass Ingress

Total Number of such sessions are: 1
To          From          St Style Lbl_In  Lbl_Out Out_If LSPname
10.80.80.80 10.40.40.40 Up SE    -       1024    e1/1   low
Tunnel ID: 7, LSP ID: 1
Time left in seconds (PATH refresh: 16, ttd: 141
                    RESV refresh: 13, ttd: 141)
Tspec: peak 100000 kbps rate 100000 kbps size 0 bytes m 20 M 65535
Setup Priority: 1 Holding Priority: 1
Session attribute flags:0x44
  (soft preemption desired,SE Style)
Soft preemption wait timer expiry in: 18 seconds
Explicit path hop count: 3
  10.1.1.5 (S) -> 10.12.12.7 (S) -> 10.8.8.8 (S)
Received RRO count: 3
Protection codes/Rtr Id flag: P: Local N: Node B: Bandwidth I: InUse R: RtrId
  10.1.1.5 -> 10.12.12.7 -> 10.8.8.8
PATH sentto: 10.1.1.5 (e1/1) (MD5 OFF), Message ID: --
RESV rcvfrom: 10.1.1.5 (e1/1) (MD5 OFF), Message ID: --
PATH history:
  1 Dec 19 09:12:41 Add PSB: tunnel endpt 10.80.80.80/10.40.40.40
  2 Dec 19 09:12:41 Decision to re-route for the PSB new_psb: Yes
ps_props=0x00008004 ps_frr_flags=0x00000002
  3 Dec 19 09:12:41 Start TC event(QUERY_ROUTE): action(0x00000000)
  4 Dec 19 09:12:41 Query route to 10.80.80.80: nhop 10.1.1.5
  5 Dec 19 09:12:41 PSB's out_if updated. new signal_out_if=1 data_out_if=1
ps_frr_flags=0x00000000
  6 Dec 19 09:12:41 Complete TC event(QUERY_ROUTE): action(0x00000002)
  7 Dec 19 09:12:41 Tx PATH: out if(e1/1), flg(0x00009004/0x00000000)
  8 Dec 19 09:12:41 Start TC event(LDB_RESERVE): action(0x00000000)
  9 Dec 19 09:12:41 Tx LDB_RESERVE req: updt_flags=0x00000011
flg(0x00009004/0x00000000)
 10 Dec 19 09:12:41 Continue TC event(LDB_RESERVE): action(0x00000001)
 11 Dec 19 09:12:41 Rx LDB_RESERVE resp: hdl(0x00498000),
flg(0x00009004/0x00000000)
Session history:
  1 Dec 19 09:12:41 A new PSB 0x2664b58c created. stack[1]=0x00000001
stack[2]=0x21468dd4
  2 Dec 19 09:12:41 TC-action QUERY_ROUTE initiated for up_psbp=0x2664b58c
dn_psbp=0x00000000
```

```

3 Dec 19 09:12:41 Route query response for PSB 0x2664b58c dest=16843008
return_code: 1
. . . .
. . . .
. . . .

```

## Show mpls rsvp session ppend

Use the show mpls rsvp session ppend command to view an appended version of the session.

---

### NOTE

Use the show mpls rsvp session extensive command to view the time left to hard preempt.

---

Syntax: Show mpls rsvp session ppend

```

Brocade(config-mpls-lsp-high)# show mpls rsvp sess ppend
Codes: DI:Ingress Detour DT:Transit Detour DM:Merged Detour
       DE:Egress Detour BI:Ingress Backup BM: Merged Backup BE:Egress Backup
       RP:Repaired Session BYI: Bypass Ingress

Total Number of such sessions are: 1

Transit RSVP:      1 session(s)
To                 From                 St Style Lbl_In  Lbl_Out Out_If LSPname
10.80.80.80        10.40.40.40      Up SE    1024    3        e1/7    1

```

## Show mpls rsvp interface detail

Use the show mpls rsvp interface detail command to view a details about each configured interface.

Syntax: show mpls rsvp interface detail

```

Brocade(config-mpls)# show mpls rsvp int

Interface State MD5 RelMsg Bundle SRefresh Num of OutSegs Num of
e1/1      Up   OFF OFF  OFF  OFF    Act/Inact/Resv Preempts/softPrmpt
e1/2      Up   OFF OFF  OFF  OFF    0/0/0          0/0
e1/10     Dn   OFF OFF  OFF  OFF    0/0/0          0/0

```

## Show mpls interface

Use the show mpls interface command to view a details about a specific interface.

Syntax: show mpls interface *interface*

# 1 RSVP soft preemption

```
Brocade(config-if-e1000-1/8)# show mpls int e1/7
Admin: Up Oper: Up
MTU: 1500 bytes
Maximum BW: 10000000 kbps, maximum reservable BW: 10000000 kbps
Admin group: 0x00000000
Reservable BW [priority] kbps:
  [0] 10000000 [1] 10000000 [2] 10000000 [3] 10000000
  [4] 10000000 [5] 10000000 [6] 10000000 [7] 10000000
Last sent reservable BW [priority] kbps:
  [0] 10000000 [1] 10000000 [2] 10000000 [3] 10000000
  [4] 10000000 [5] 10000000 [6] 10000000 [7] 10000000
Soft Preemption under provisioned BW [priority] kbps:
  [0] 0 [1] 0 [2] 0 [3] 0
  [4] 0 [5] 0 [6] 0 [7] 0
LDP tunnel count: 0
P2MP Capable : Yes
```

## Scalability

With the default value (30 seconds) configured for the soft preemption wait timer, the following scalability numbers have been collected under the following conditions:

- System was running MPLS with few interfaces enabled with MPLS and OSPF as traffic engineering
- LSPs were configured on the routers
- Soft preemption was triggered by decreasing the BW on transit router/high priority LSP
- All the routers were soft preemption enabled with default wait timer configuration
- Alternate paths were available for MBB of LSPs impacted

**TABLE 3** Maximum soft preempted LSPs

Device Type	Maximum soft preempted LSPs
Brocade NetIron XMR (with MP++)	2000
Brocade MLX Series	1000
Brocade NetIron CES	128
Brocade NetIron CER	500

Behavioral impact on changing the wait timer value:

- Timer value 0 means no soft preemption
- Timer value 30 is minimum which can be configured other than 0, for which above data is applicable
- Timer value >30 config shows better performance in terms of number of LSPs which can get successfully soft preempted provided other criteria are met for MBB. It is expected to be almost directly proportional to the amount by which timer value is increased. For example, 60 second is double the number of LSPs/maximum configurable LSPs on device under test. The user must verify for accuracy.

## Syslog messages

The following notification Syslog messages are logged under the conditions indicated. No additional traps are generated.

1. When first path error requesting soft preemption is received for an LSP, following message is printed to Syslog.

```
Dec 9 23:58:49 Brocade MPLS: LSP test soft preemption triggered. Preemption point 10.1.1.20
```

2. When MBB is successful for make before break setup of soft preemption requested LSP, following message is printed to Syslog.

```
Dec 9 23:58:49 Brocade MPLS: LSP test using path NULL soft preempted with make before break
```

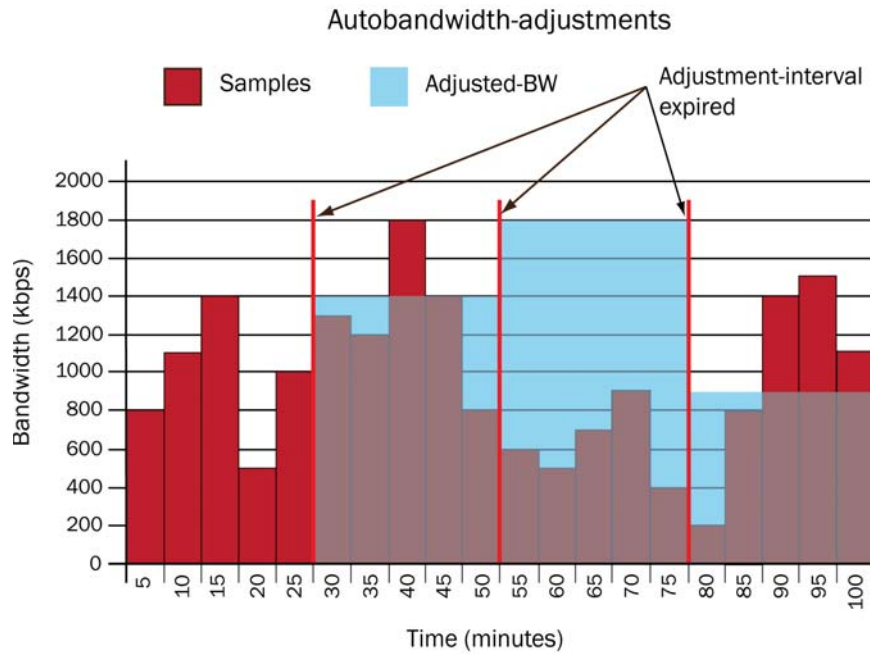
## Auto-bandwidth for RSVP LSPs

Automatic bandwidth allocation allows an MPLS tunnel to automatically adjust its bandwidth allocation based on the volume of traffic flowing through the tunnel. The new bandwidth is determined by inspecting the traffic flowing through the LSP.

The user can configure an LSP with minimal bandwidth. And with this feature, the user can dynamically adjust the LSPs bandwidth allocation based on current traffic patterns. The bandwidth adjustments do not interrupt traffic flow through the tunnel.

At the end of the automatic bandwidth adjustment time interval, the current maximum average bandwidth usage is compared with the allocated bandwidth for the LSP. When the LSP needs more bandwidth, an attempt is made to set up a new path where bandwidth is equal to the current maximum average usage. When the attempt is successful, the LSPs traffic is routed through the new path and the old path is removed. When the attempt fails, the LSP continues to use its current path.

TABLE 4 Basic auto-bandwidth functionality



### Configuration considerations

- This feature must not be used when a strict bandwidth guarantee is to be provided.
- This feature is only valid for adaptive LSPs.
- When auto-bandwidth is enabled on an LSP and it is not in monitor-only mode and a failover to secondary LSP occurs, the secondary LSP is set up with the configured mean-rate, and the auto-bandwidth process restarts for the secondary LSP when it is adaptive. Therefore, every time the active path changes, auto-bandwidth process starts afresh, with initial bandwidth as the traffic-eng configured bandwidth on that path.
- A re-optimization event, when triggered, signals the LSP using the current bandwidth and not the highest-sampled bandwidth calculated so far with the auto-bandwidth feature.
- When auto-bandwidth is configured on an LSP, and a change in mean-rate is committed, the auto-bandwidth statistics and counters are cleared, and the entire procedure starts afresh.
- After a switchover, failover, or hitless-reload of MP, the auto-bandwidth counters are cleared.
- Auto-bandwidth is not supported for bypass LSPs.
- Auto-bandwidth continues to function despite FRR failover to the backup path. Irrespective of whether it is a detour or facility backup, or the repair occurred at ingress or transit, the auto-bandwidth process continues. In case of adjustment event occurring while the LSP is repaired, the retries for new instance of protected path is signaled with the new bandwidth. When the new-instance does not come up, the backup remains active.
- The system maximum for LSP accounting must be set for this feature to work. Only those LSPs for which rate counters are allocated on the LP have the auto-bandwidth functionality working.

**NOTE**

A system reload is needed after changing the system-max lsp-out-acl-cam value command.

## Configuring auto-bandwidth feature at the global level

Auto-bandwidth is disabled by default. It is important that enabling auto-bandwidth globally is necessary to have the auto-bandwidth session running on the LSP. The auto-bandwidth parameters can be pre-configured on an LSP at the LSP level. To globally enable automatic bandwidth, use the following commands.

```
Brocade(config)# router mpls
Brocade(config-mpls)# policy
Brocade(config-mpls-policy)# auto-bandwidth sample-interval 30
```

Syntax: [no] auto-bandwidth [sample-interval *value*]

The *sample-interval* parameter specifies the time after which the traffic rate is sampled.

The *value* parameter specifies the time interval after which the LSP bandwidth must be adjusted. The range is from 60 through 604800 seconds (one week). The default value is 300 seconds.

The [no] option disables the auto-bandwidth globally. Auto-bandwidth is disabled from all the auto-bandwidth-enabled LSPs.

## Configuring per-LSP adjustment interval

There are two mechanisms of configuring LSP level parameters. The direct configuration and template-based configuration. With these mechanisms, there are inheritance and overriding behaviors for various cases.

To specify the bandwidth reallocation interval in seconds for a specific LSP, enter the following commands.

```
Brocade(config-mpls-lsp-xyz)# auto-bandwidth
Brocade(config-mpls-lsp-xyz-auto-bandwidth)# adjustment-interval 86400
```

Syntax: [no] adjustment-interval *value*

The *value* parameter specifies the time interval after which the LSP bandwidth must be adjusted. The range is from 300 through 259200 seconds (30 days). The default value is 86400 seconds (one day).

The [no] option disables the auto-bandwidth for the LSP. The bandwidth is set back to the traffic-eng configured value immediately.

## Configurable table-based absolute adjustment-threshold

The current percentage-based threshold configuration method has certain shortcoming when there are LSPs with a very wide range of traffic-rates. Consider all the links from the ingress to be 1 Gbps links and the adjustment threshold to be 10%. Now, assume there are two LSPs A and B with bandwidth 10 Mbps and 10 kbps respectively. The actual traffic-rate for LSP A is found to be 11 Mbps with an absolute difference of 1Mbps (1000kbps). The actual traffic rate for LSP B is found to be 11kbps with an absolute difference of 1 kbps. Note that the percentage difference for both LSPs is 10% and with the current method an adjustment event is triggered for both LSPs.

It may not be required to initiate a bandwidth adjustment for LSP B as the absolute difference is very small as compared to the link bandwidth. You can have a higher threshold percentage for LSPs with smaller current bandwidth and lower threshold percentage for LSPs with higher current bandwidth.

One way to achieve such a threshold is to define a table which can give the absolute threshold based on the current traffic rate. Following is an example of how a typical threshold table looks like. An additional column is added for illustrating how the percentage threshold varies as the current bandwidth increases.

Range of actual traffic rate	Threshold	Percentage threshold range
0-1000 kbps	2000 kbps	?? - 200%
1000 kbps to 10 Mbps	3000 kbps	300% - 30%
10 Mbps to 100 Mbps	5000 kbps	50% - 5%
100 Mbps to 1Gbps	7000kbps	7% - 0.7%

The absolute threshold values increase with the actual-traffic rate but the percentage threshold decreases. This way you can make sure that for low traffic-rate LSPs, insignificant bandwidth changes are ignored. This saves costly make-before-break procedures and thus provide an scalability benefit over the current uniform percentage based method. This is particularly beneficial in cases where a router is having LSPs with a wide range of actual-traffic rates.

Pros of the threshold-table based method:

- Useful when there are LSPs with wide range of actual traffic rate
- Huge scalability benefit. Avoid insignificant bandwidth adjustments

---

### NOTE

It is important that the range of values and the corresponding thresholds are chosen very carefully.

---

The percentage-based threshold method and table-based threshold methods will co-exist. There is another option to configure when an LSP is using the percentage-based threshold or the table based threshold. There is a single global table only to be used system-wide by all LSPs. An LSP is allowed to chose from either the threshold-table or the LSP level percentage threshold configured. This flag behaves in the same way as the other LSP level auto-bandwidth parameters. This flag also is allowed to be configured on an auto-bandwidth template. It follows the same inheritance mechanism as other parameters. This threshold is valid for both overflow and underflow determination.



TABLE 5

Global -level auto-bandwidth commands	
Command	Description
Enabling auto-bandwidth globally	The auto-bandwidth parameters can be pre-configured on an LSP at the LSP level. To globally enable automatic bandwidth, use the following commands.  <pre>Brocade(config)# router mpls Brocade(config-mpls)# policy Brocade(config-mpls-policy)# auto-bandwidth sample-interval 30</pre>
Configuring sample intervals	Syntax: [no] auto-bandwidth [sample-interval <i>value</i> ] The sample-interval parameter specifies the time after which the traffic rate is sampled. The <i>value</i> parameter specifies the time interval after which the LSP bandwidth must be adjusted. The range is from 60 through 604800 seconds (one week). The default value is 300 seconds.
Configurable parameters:	
Parameter	Description
Adjustment-interval	Displays the configured adjustment-timer value.
Adjustment-threshold	Displays the configured adjustment-threshold value.
Percentage-based	Syntax: [no] adjustment-threshold <i>value</i> The <i>value</i> parameter specifies the bandwidth is adjusted when the percentage difference in old and new bandwidth is greater than or equal to the specified adjust-threshold percentage, the LSPs bandwidth is adjusted to the current bandwidth demand. The range is from zero through 100 percent. The default value is zero percent.
Absolute table based	Syntax: [no] overflow limit <i>value</i> The <i>value</i> parameter specifies the least number of times the sampled bandwidth must consecutively overflow the adjustment threshold to trigger premature adjustment. The range is from zero through 65535 (where zero means it never adjusts for limit overflow). The default value is zero.
Overflow-limit	Displays the configured overflow-limit value.
Underflow-limit	The number of sample which have to be below the threshold to trigger a premature adjustment.
Minimum bandwidth	The configured minimum bandwidth.
Maximum bandwidth	The configured maximum bandwidth.
Mode	Mode will tell is the LSP is in monitor-only or monitor-and-signal mode.
Executable commands:	
Command	Description
Clearing auto-bandwidth statistics	To clear statistics for auto-bandwidth-enabled LSPs, enter the following command.  <pre>Brocade(config-mpls-lsp-xyz-auto-bandwidth)# clear mpls auto-bandwidth-statistics lsp xyz</pre>

**TABLE 5**

Clearing auto-bandwidth sample history	The auto-bandwidth history is deleted only in the cases when LSP is itself deleted or when user clears or deletes the samples manually. Clearing of auto bandwidth samples by user is recorded in the LSP history.
Manual auto-bandwidth adjustment	To specify the bandwidth reallocation interval in seconds for a specific LSP, enter the following commands. <pre>Brocade(config-mpls-lsp-xyz)# auto-bandwidth Brocade(config-mpls-lsp-xyz-auto-bandwidth)# mpls adjust-bandwidth lsp xyz</pre>
Direct configuration versus template-based configuration	There are two mechanisms of configuring LSP level parameters. The direct configuration and template-based configuration. With these mechanisms, there are inheritance and overriding behaviors for various cases. To specify the bandwidth reallocation interval in seconds for a specific LSP, enter the following commands. <pre>Brocade(config-mpls-lsp-xyz)# auto-bandwidth Brocade(config-mpls-lsp-xyz-auto-bandwidth)# adjustment-interval 86400</pre>
Overriding and Inheritance behavior	When the user applies the template to an LSP, the LSP inherits the values from the template. Because direct configuration is local to the LSP, the user can override an inherited value using direct configuration.
Show commands	
Command	Description
show mpls lsp detail	The show mpls lsp detail command displays detailed information about a specific LSP. Syntax: show mpls lsp [detail ]
show mpls lsp extensive	The show mpls lsp extensive command shows the adjustment event with the previous rate and the maximum sampled rate. Syntax: show mpls lsp [extensive]
show mpls lsp autobw-samples	The samples obtained in an adjustment-interval can be displayed whenever needed with the show command. Syntax: show mpls lsp autobw-samples.
show mpls autobw-threshold-table	This command displays the global-threshold table with the range of current-bandwidth and the corresponding absolute adjustment-threshold. Syntax: show mpls autobw-threshold-table
show mpls autobw-template	With this method, the user can create a template of auto-bandwidth values and apply it on the primary and secondary paths. Syntax: show mpls autobw-threshold-template

## Template-based configuration

Template-based configuration provides a different way to configure the parameters. With this method, the user can create a template of Auto-bandwidth values and apply it on the primary and secondary paths.

To create a template, use the following commands:

```
Brocade(config-mpls)# autobw-template abw1
Brocade(config-mpls-autobw-template-abw1)# adjustment-interval 600
Brocade(config-mpls-autobw-template-abw1)# overflow-limit 5
Brocade(config-mpls-autobw-template-abw1)# mode monitor-and-signal
```

To apply the template on a path, go into the auto-bandwidth mode and use the following command:

```
Brocade(config-mpls-lsp-tl-autobw)# template abw1
```

## Overriding using direct configuration

Template-based configuration is useful when a large number of LSPs need to have the same parameter values. When the user applies the template to an LSP, the LSP inherits the values from the template. Because direct configuration is local to the LSP, the user can override an inherited value using direct configuration.

To override, use the following commands.

```
Brocade(config-mpls-lps-tl-autobw)# template abw1
Brocade(config-mpls-lsp-tl-autobw)# adjustment-interval 300
```

The effective value for the adjustment-interval is 300, irrespective of what value is configured for the template abw1.

## Configuring per-LSP range of bandwidth values

Use the following commands to maintain the LSPs bandwidth between minimum and maximum limits by specifying the values.

### Setting the maximum bandwidth

The following conditions must be met for setting the maximum bandwidth configuration: Min-bandwidth <= (traffic-eng mean-rate) <= Max-bandwidth. To configure the maximum bandwidth parameter on a per-LSP level, enter the following commands.

```
Brocade(config-mpls-lsp-xyz)# auto-bandwidth
Brocade(config-mpls-lsp-xyz-auto-bandwidth)# max-bandwidth 60000
```

Syntax: [no] max-bandwidth *value*

The *value* parameter specifies that the LSP bandwidth can never be greater than this value. When traffic-eng max-rate is configured, max-bandwidth cannot be configured to be greater than traffic-eng max-rate. The range is from zero through 2147483647 kbps. The default value is 2147483647 kbps.

The [no] option sets the corresponding parameter value to the default.

### Setting the minimum bandwidth

To configure the minimum bandwidth parameter on a per-LSP level, enter the following commands.

# 1 Auto-bandwidth for RSVP LSPs

```
Brocade(config-mpls-lsp-xyz)# auto-bandwidth
Brocade(config-mpls-lsp-xyz-auto-bandwidth)# min-bandwidth 600
```

Syntax: [no] min-bandwidth *value*

The *value* parameter specifies that the LSP bandwidth can never be lower than this value. The range is from 0 through 2147483647 kbps. The default value is 0 kbps.

The [no] option sets the corresponding parameter value to the default.

## Underflow-limit

Current provision for premature bandwidth adjustment is available only for the case when the actual traffic rate is found to be consistently greater than the current bandwidth. The opposite case where the actual traffic rate is much less than the reserved bandwidth is not handled. This may result in very long periods of over-provisioned bandwidth. In order to avoid this, a new parameter called the underflow-limit is provided. This parameter can be configured along the same lines as overflow-limit. This parameter is configurable on an auto-bandwidth template as well as an LSP. The same inheritance rules as other parameters applies.

Suppose the underflow-limit is set to 10. When 10 consecutive samples of the LSP traffic rate are found to be lesser than the LSP bandwidth by an amount more than the threshold, a premature adjustment is triggered setting the LSP bandwidth to the maximum of these 10 consecutive samples. The sampled-rate chosen as the new bandwidth for the LSP is the maximum of those 10 samples that triggered the underflow. If adjustment-threshold is configured to use the autobw-threshold-table, the threshold from the auto-bandwidth table is used. Unlike overflow-limit, the number of underflow counts is not reset after adjustment-interval expiry. This means that out of the 10 samples that triggered the adjustment, six may be the beginning samples of current adjustment period while the remaining four may be the last samples of the previous adjustment period.

## Configuring overflow limit to enable premature adjustment

The automatic bandwidth adjustment timer is a periodic timer that is triggered at every adjustment interval to determine whether any bandwidth adjustments are required on the LSPs. This interval is configured as a long period of time, usually a number of hours. If, at the end of an adjustment interval, the change in bandwidth is above an certain adjustment threshold, the LSP is resigaled with the new bandwidth.

During every adjustment interval, the device samples the average bandwidth utilization of an LSP and, when this has exceeded the current maximum average bandwidth utilization, the maximum average bandwidth utilization is updated.

Overflow-limit allows for adjusting the bandwidth without waiting for the adjustment-timer to expire. When the sampled traffic rate is found to be greater than the current bandwidth and exceeding the threshold, consecutively, for a number of times configured as overflow-limit, bandwidth adjustment is triggered using the maximum sampled bandwidth in the current adjustment interval.

To specify a limit on the number of bandwidth overflow samples before triggering an automatic bandwidth allocation adjustment, enter the following commands.

```
Brocade(config-mpls-lsp-xyz)# auto-bandwidth
Brocade(config-mpls-lsp-xyz-auto-bandwidth)# overflow limit 5
```

Syntax: [no] overflow limit *value*

The *value* parameter specifies the least number of times the sampled bandwidth must consecutively overflow the adjustment threshold to trigger premature adjustment. The range is from zero through 65535 (where zero means it never adjusts for limit overflow). The default value is zero.

The [no] option sets the corresponding parameter value to the default.

## Configuring the monitoring mode

The mode command can be either monitor-and-signal or monitor-only. When the mode is set to monitor-only, LSPs bandwidth adjustments are disabled, but the maximum average bandwidth is continuously monitored. The auto-bandwidth session only gathers and displays the relevant information. The default mode is monitor-and-signal.

```
Brocade(config-mpls-lsp-xyz)# auto-bandwidth
Brocade(config-mpls-lsp-xyz-auto-bandwidth)# mode monitor-only
```

Syntax: [no] mode monitor-only | monitor-and-signal

The [no] option sets the corresponding parameter value to the default.

## Manually triggered bandwidth allocation adjustments

For manually triggered bandwidth allocation adjustments, the minimum value for the adjustment interval is five (5) minutes (300 seconds). It might be necessary to trigger a bandwidth allocation adjustment manually.

A manually triggered bandwidth adjustment operates only on the active LSP. When the user enables periodic automatic bandwidth adjustments, the periodic automatic bandwidth adjustment parameters are not reset after a manual adjustment.

Once the user executes the mpls adjust-bandwidth command, the automatic bandwidth adjustment validation process is triggered. The conditions to be met for successful manual adjustment are that at least one sample must have been collected and the maximum of samples collected must cross the threshold. This must be executed in the monitor-and-signal mode. Once all the criteria for adjustment are met, the LSPs active path bandwidth is adjusted to the maximum of the rate samples collected so far in the current adjustment-interval.

```
Brocade(config-mpls-lsp-xyz)# auto-bandwidth
Brocade(config-mpls-lsp-xyz-auto-bandwidth)# mpls adjust-bandwidth lsp xyz
```

Syntax: mpls adjust-bandwidth lsp *lsp\_name*

The lsp *lsp\_name* parameter adjusts the bandwidth for the named LSP.

## Clearing auto-bandwidth counters

To clear statistics for auto-bandwidth-enabled LSPs, enter the following command.

```
Brocade(config-mpls-lsp-xyz-auto-bandwidth)# clear mpls auto-bandwidth-statistics  
lsp xyz
```

Syntax: `clear mpls auto-bandwidth-statistics lsp lsp_name`

The `lsp lsp_name` parameter clears the statistics for the named LSP.

## Sample-history

With the current implementation of the feature, only the previous sampled rate is display as part of the `show mpls lsp detail` command. The LSP history obtained with the `show mpls lsp extensive` command also only shows the adjustment event with the previous rate and the maximum sampled rate. With this feature, you are given the option to record all the events related to auto-bandwidth of an LSP using the CLI command `sample-recording enable` or `disable`.

The samples obtained in an adjustment-interval can be displayed whenever needed with the `show` command `show mpls lsp autobw-samples`. The history contains relevant auto-bandwidth events.

You are given the freedom to clear or delete the auto-bandwidth samples at any point of time using the CLI command `clear mpls auto-bandwidth-samples`. The auto-bandwidth history is deleted only in the cases when LSP is itself deleted or when you clear or delete the samples manually. Clearing of auto bandwidth samples by you is recorded in the LSP history.

## Displaying auto-bandwidth configurations

The auto-bandwidth fields under the primary path and secondary path sections display the Auto-bandwidth parameter values configured on that path. Under the Active Path attributes sections, the effective parameter values and the auto-bandwidth session information is displayed. The parameters values are suffixed with "(T)", when the parameter value is inherited from the template.

---

### NOTE

The running configuration information for auto-bandwidth is not displayed when there is no active path or the active path is not adaptive. Auto-bandwidth does not function under these conditions. Instead, a message is displayed indicating the cause.

---

## Commands

The following commands support this feature.

- `adjustment-threshold`
- `autobw-threshold table`
- `bandwidth-ceiling`
- `bandwidth-ceiling max threshold`
- `bandwidth-ceiling max threshold percentage`
- `clear mpls auto-bandwidth-samples`

- `show mpls autobw-threshold-table`
- `show mpls lsp [autobw-samples | name lsp_name autobw-sample]`
- `show mpls lsp detail/extensive`
- `sample-recording`
- `underflow-limit`

# 1 show mpls lsp [autobw-samples | name lsp\_name autobw-sample]

## show mpls lsp [autobw-samples | name *lsp\_name* autobw-sample]

The show mpls lsp name *lsp\_name* autobw-sample command shows the sample history for all the auto-bandwidth LSPs. If a specific LSP name is given as parameter, only that LSPs sample history is displayed.

**Syntax** show mpls lsp [brief | detail | down [*detail* | *extensive* | *wide*] | extensive | name *lsp\_name* autobw-sample | up [*detail* | *extensive* | *wide*] | wide]

**Parameters** autobw-sample

The autobw-sample option or keyword displays the sample history instead of the LSP History.  
brief

The brief option displays brief configuration information.

detail

The detail option displays the detailed configuration information.

down

The down option displays the operationally down LSPs specified by the *lsp\_name* variable.

extensive

The extensive option displays the detailed configuration information with history.

name

The name option displays configuration information specified by the *lsp\_name* variable.

up

The up option displays the operationally UP LSPs specified by the *detail*, *extensive*, *wide* keyword.

wide

The wide option displays the long LSP name.

autobw-sample

The autobw-sample keyword displays the sample history instead of the LSP History.

**Command modes** This command operates in all modes.

**Usage guidelines** Use this command to show the sample history for all the auto-bandwidth LSPs.

**History**

**Release** **Command history**

*Multi-Service NetIron Release 05.6.00* The command was introduced.

**Related commands** None.



## show mpls lsp detail/extensive

The show mpls lsp detail command displays detailed information about a specific LSP. The underflow-limit parameter and the number of consecutive underflows are displayed. The adjustment-threshold is used from the global table is indicated with the value for current rate. The show mpls lsp extensive command shows the adjustment event with the previous rate and the maximum sampled rate.

The sample history for the current adjustment interval is displayed.

Syntax	show mpls lsp [detail   extensive]																														
Parameters	None.																														
Command modes	This command operates under all modes.																														
Usage guidelines	The sample history for the current adjustment interval is displayed.																														
Command output	<p>The show mpls lsp command displays the following information.</p> <table border="0"> <thead> <tr> <th style="text-align: left;">Field output</th> <th style="text-align: left;">Description</th> </tr> </thead> <tbody> <tr> <td>Name</td> <td>The name of the LSP. LSPs are displayed in alphabetical order.</td> </tr> <tr> <td>To</td> <td>The egress LER for the LSP.</td> </tr> <tr> <td>From</td> <td>The LSPs source address, configured with the from command. When a source IP address has not been specified for the LSP with the from command, and the LSP has not been enabled, then '(n/a)' is displayed in the 'From' field.</td> </tr> <tr> <td>    admin</td> <td>The administrative state of the LSP. Once the user activates the LSP with the enable command, the administrative state changes from DOWN to UP.</td> </tr> <tr> <td>    status</td> <td>The operational state of the LSP. This field indicates whether the LSP has been established through signaling and is capable of having packets forwarded through it. When the status of the LSP is DOWN, the reason why the LSP is down is shown in parentheses. There may be a short period of time after the user enables the LSP that the administrative state of the LSP is UP, but the status is DOWN. Once the LSP has been established through signaling, both the administrative state and the status is UP.</td> </tr> <tr> <td>Tunnel interface (primary path)</td> <td>The path currently selected for this LSP.</td> </tr> <tr> <td>Times primary LSP goes up since enabled</td> <td>The number of times the status of the LSPs primary path has transitioned from DOWN to UP.</td> </tr> <tr> <td>Metric</td> <td>The metric for the LSP, configured with the metric command.</td> </tr> <tr> <td>Pri. path</td> <td>The name of the primary path for this LSP and whether the path is currently active.</td> </tr> <tr> <td>    up</td> <td>Displays if the primary path is UP.</td> </tr> <tr> <td>    active</td> <td>Displays if the primary path is active.</td> </tr> <tr> <td>Setup priority</td> <td>The configured setup priority for the LSP.</td> </tr> <tr> <td>hold priority</td> <td>The configured hold priority for the LSP.</td> </tr> <tr> <td>Max rate</td> <td>The maximum rate of packets that can go through the LSP (in kbps), set with the traffic-eng max-rate command.</td> </tr> </tbody> </table>	Field output	Description	Name	The name of the LSP. LSPs are displayed in alphabetical order.	To	The egress LER for the LSP.	From	The LSPs source address, configured with the from command. When a source IP address has not been specified for the LSP with the from command, and the LSP has not been enabled, then '(n/a)' is displayed in the 'From' field.	admin	The administrative state of the LSP. Once the user activates the LSP with the enable command, the administrative state changes from DOWN to UP.	status	The operational state of the LSP. This field indicates whether the LSP has been established through signaling and is capable of having packets forwarded through it. When the status of the LSP is DOWN, the reason why the LSP is down is shown in parentheses. There may be a short period of time after the user enables the LSP that the administrative state of the LSP is UP, but the status is DOWN. Once the LSP has been established through signaling, both the administrative state and the status is UP.	Tunnel interface (primary path)	The path currently selected for this LSP.	Times primary LSP goes up since enabled	The number of times the status of the LSPs primary path has transitioned from DOWN to UP.	Metric	The metric for the LSP, configured with the metric command.	Pri. path	The name of the primary path for this LSP and whether the path is currently active.	up	Displays if the primary path is UP.	active	Displays if the primary path is active.	Setup priority	The configured setup priority for the LSP.	hold priority	The configured hold priority for the LSP.	Max rate	The maximum rate of packets that can go through the LSP (in kbps), set with the traffic-eng max-rate command.
Field output	Description																														
Name	The name of the LSP. LSPs are displayed in alphabetical order.																														
To	The egress LER for the LSP.																														
From	The LSPs source address, configured with the from command. When a source IP address has not been specified for the LSP with the from command, and the LSP has not been enabled, then '(n/a)' is displayed in the 'From' field.																														
admin	The administrative state of the LSP. Once the user activates the LSP with the enable command, the administrative state changes from DOWN to UP.																														
status	The operational state of the LSP. This field indicates whether the LSP has been established through signaling and is capable of having packets forwarded through it. When the status of the LSP is DOWN, the reason why the LSP is down is shown in parentheses. There may be a short period of time after the user enables the LSP that the administrative state of the LSP is UP, but the status is DOWN. Once the LSP has been established through signaling, both the administrative state and the status is UP.																														
Tunnel interface (primary path)	The path currently selected for this LSP.																														
Times primary LSP goes up since enabled	The number of times the status of the LSPs primary path has transitioned from DOWN to UP.																														
Metric	The metric for the LSP, configured with the metric command.																														
Pri. path	The name of the primary path for this LSP and whether the path is currently active.																														
up	Displays if the primary path is UP.																														
active	Displays if the primary path is active.																														
Setup priority	The configured setup priority for the LSP.																														
hold priority	The configured hold priority for the LSP.																														
Max rate	The maximum rate of packets that can go through the LSP (in kbps), set with the traffic-eng max-rate command.																														

# 1 show mpls lsp detail/extensive

Field output	Description
mean rate	The average rate of packets that can go through the LSP (in kbps), set with the traffic-eng mean-rate command.
max burst	The maximum size (in bytes) of the largest burst the LSP can send at the maximum rate, set with the traffic-eng max-burst command.
mode	Mode will tell is the LSP is in monitor-only or monitor-and-signal mode.
adjustment threshold	Displays the configured adjustment-threshold value.
minimum bw	The configured minimum bandwidth.
maximum bw	The configured maximum bandwidth.
overflow limit	Displays the configured overflow-limit value.
underflow limit	The number of sample which have to be below the threshold to trigger a premature adjustment.
sample-record	Whether the template is set to record the sample history.
Constraint-based routing enabled	Whether CSPF is in effect for the LSP.
Path calculated using constraint-based routing:	Whether the explicit path used by the active path was calculated using the constraint-based routing.
Path calculated using interface constraint:	Whether the explicit path used by the active path was calculated using the interface-constraint routing.
Path cost:	The total cost of this path.
Tie breaking	The tie-breaking method CSPF uses to select a path from a group of equal-cost paths to the egress LER, set with the tie-breaking command.
LDP tunneling enabled:	If LDP tunneling is enabled, the line reads "yes." If it is not enabled, the line reads "no."
Soft preemption enabled:	Soft preemption minimizes traffic disruptions and gracefully reroute the preempted LSPs.
Sec. path	The name of the secondary path for this LSP and whether the path is currently active.
active:	Displays if the secondary path is active.
Hot-standby	Whether the secondary path is a hot-standby path.
status	The operational state of the secondary path.
Setup priority	The configured setup priority for the LSP.
hold priority	The configured hold priority for the LSP.
Max rate	The maximum rate of packets that can go through the LSP (in kbps), set with the traffic-eng max-rate command.
mean rate	The average rate of packets that can go through the LSP (in kbps), set with the traffic-eng mean-rate command.
max burst	The maximum size (in bytes) of the largest burst the LSP can send at the maximum rate, set with the traffic-eng max-burst command.
mode	Mode will tell is the LSP is in monitor-only or monitor-and-signal mode.
adjustment threshold:	Displays the configured adjustment-threshold value.

Field output	Description
minimum bw	The configured minimum bandwidth.
maximum bw	The configured maximum bandwidth.
overflow limit	Displays the configured overflow-limit value.
underflow limit	The number of sample which have to be below the threshold to trigger a premature adjustment.
sample-record	Whether the template is set to record the sample history.
Constraint-based routing enabled	Whether CSPF is in effect for the LSP.
hop limit	The maximum number of hops a path calculated by CSPF can have, set with the hop-limit command.
Soft preemption enabled:	Soft preemption minimizes traffic disruptions and gracefully reroute the preempted LSPs.
Active path attributes:	
Tunnel interface:	The MPLS tunnel interface port ID.
outbound interface	The outbound interface taken by the active path of the LSP. when the egress interface is a VE-enabled interface, the VE interface ID specified by the vid variable is displayed here in the 'Outbound interface' field.
Tunnel index	The tunnel index for the active path of the LSP.
Tunnel instance:	
outbound label	The outbound label used by the active path of the LSP.
Auto-bandwidth running info mode	
adjustment interval:	Displays the configured adjustment-timer value.
adjustment threshold:	Displays the configured adjustment-threshold value.
overflow limit:	Displays the configured overflow-limit value.
underflow limit:	The number of sample which have to be below the threshold to trigger a premature adjustment.
minimum bw	The configured minimum bandwidth.
maximum bw:	The configured maximum bandwidth.
Samples collected:	Number of samples collected so far in the current adjustment-interval.
max sampled bw:	The maximum of the samples collected so far in the current adjustment-interval.
last sample:	The last sampled-bandwidth.
Sample-record:	Whether the template is set to record the sample history.
adjustment due in:	Displays the time remaining for the current adjust-interval to expire.
Adjustment ignored:	This consecutive number of times the adjustment was ignored due to any reason.
Current bandwidth:	Current running bandwidth.
Recorded routes:	The addresses recorded by the RECORD_ROUTE object during RSVP signaling.

**Example**

```

Brocade# show mpls lsp extensive
LSP lsp1, to 10.23.23.23
  From: 10.34.34.34, admin: UP, status: UP, tunnel interface(primary path):
  tn11

```

# 1 show mpls lsp detail/extensive

```
Times primary LSP goes up since enabled: 1
Metric: 0, Adaptive
Maximum retries: NONE, no. of retries: 0
Pri. path: NONE, up: yes, active: yes
Setup priority: 7, hold priority: 0
Max rate: 0 kbps, mean rate: 0 kbps, max burst: 0 bytes
Auto-bandwidth. template: templatel, mode: monitor-only
  adjustment interval: 86400 sec, adjustment threshold: 0
  minimum bw: 0 kbps, maximum bw: 2147483647 kbps
  overflow limit: 0, underflow limit: 20, sample-record: disabled
Constraint-based routing enabled: yes
  Path calculated using constraint-based routing: yes
  Path calculated using interface constraint: no
  Path cost: 20
Tie breaking: random, hop limit: 0
LDP tunneling enabled: no
Soft preemption enabled: no
Sec. path: vial6, active: no
  Hot-standby: no, status: down, adaptive
  Setup priority: 7, hold priority: 0
  Max rate: 0 kbps, mean rate: 0 kbps, max burst: 0 bytes
  Auto-bandwidth. template: NONE, mode: monitor-and-signal
  adjustment interval: 300 sec, adjustment threshold: Table
  minimum bw: 0 kbps, maximum bw: 2147483647 kbps
  overflow limit: 5, underflow-limit: 10, sample-record: enabled
Constraint-based routing enabled: yes
hop limit: 0
Soft preemption enabled: no
Active Path attributes:
  Tunnel interface: tn11, outbound interface: e4/3
  Tunnel index: 2, Tunnel instance: 1 outbound label: 2049
  Auto-bandwidth running info. Mode: monitor-only
  adjustment interval: 1200 sec(T), adjustment threshold: Table(T)
  overflow limit: 0, underflow limit: 3
  minimum bw: 0 kbps(T), maximum bw: 9647 kbps(T)
  Samples collected: 14, max sampled bw: 0 kbps, last sample: 0 kbps
  Overflow-count: 0, Underflow-count: 2,max-underflow-sample: 34kbps
  Sample-record: enabled(T)
  adjustment due in 1174 seconds
  Adjustment ignored: 0 time(s)
  No adjustment since activation. Current bandwidth: 0 kbps
Recorded routes:
Protection codes/Rtr Id flag: P: Local N: Node B: Bandwidth I: InUse R:
RtrId
10.31.31.16 -> 10.161.161.1
```

## History

Release	Command history
<i>Multi-Service NetIron Release 05.6.00</i>	The underflow-limit parameter and the number of consecutive underflows are displayed. The adjustment-threshold is used from the global table is indicated with the value for current rate. The sample history for the current adjustment interval is displayed.

Related commands None.

## autobw-threshold table

This command changes the parser mode to config-autobw-threshold-table under which the user can change the absolute adjustment threshold values.

The [no] function of the command clears all the entries in the adjustment-threshold table.

Syntax	[no] autobw-threshold-table				
Parameters	None.				
Modes	This command operates in MPLS configuration mode.				
History					
	<table><thead><tr><th>Release</th><th>Command history</th></tr></thead><tbody><tr><td><i>Multi-Service NetIron Release 05.6.00</i></td><td>This command was introduced.</td></tr></tbody></table>	Release	Command history	<i>Multi-Service NetIron Release 05.6.00</i>	This command was introduced.
Release	Command history				
<i>Multi-Service NetIron Release 05.6.00</i>	This command was introduced.				
Related commands	None.				

# 1 bandwidth-ceiling

## bandwidth-ceiling

This command adds a new threshold change point to the autobw-threshold table. If the change point is already there, the value of the threshold is updated.

The [no] function of the command remove the bandwidth ceiling entry from the table.

**Syntax** [no] bandwidth-ceiling [*bw in kbps* | *max*] threshold *threshold in kbps*

**Parameters** *bw in kbps*

The bandwidth in kilobytes per second. 0 – 0x7FFFFFFF. Range of bandwidth in kbps.

*threshold in kbps*

The threshold in kilobytes per second. 0 – 0x7FFFFFFF. Range of bandwidth in kbps.

*max*

Sets the threshold for any traffic-rate above the maximum bandwidth-ceiling configured in the table

**Command modes** This command operates in the MPLS global adjustment threshold configuration mode.

**Usage guidelines** Review the updated global adjustment-threshold table after this command is executed.

The first parameter indicates that any rate above the maximum ceiling configured.

The *max* keyword sets the threshold for any traffic-rate above the maximum bandwidth-ceiling configured in the table.

### History

#### Release

#### Command history

*Multi-Service NetIron Release 05.6.00* This command was introduced.

**Related commands** None.

## bandwidth-ceiling *max* threshold

This command sets the threshold for any traffic-rate above the maximum bandwidth-ceiling configured in the table.

The [no] function of the command removes the entry.

Syntax [no] bandwidth-ceiling *max* threshold *threshold in kbps*

Parameters *max*

Any rate above the maximum ceiling configured. By default, the last ceiling is used.

*threshold in kbps*

Threshold in kilobytes per second. 0 – 0x7FFFFFFF. Range of bandwidth in kbps.

---

### NOTE

The first parameter indicates that any rate above the maximum ceiling configured, the second parameter is the threshold in kbps for those rates.

---

Command modes This command operates in MPLS global adjustment threshold configuration mode.

History

Release

Command history

*Multi-Service NetIron Release 05.6.00* The command was introduced.

Related commands None.

# 1 bandwidth-ceiling max threshold percentage

## bandwidth-ceiling *max* threshold percentage

This command sets the threshold for any traffic-rate above the maximum bandwidth-ceiling configured in the table as a percentage.

The [no] function of this command removes the entry.

Syntax bandwidth-ceiling *max* threshold percentage *threshold percentage*

Parameters *max*

Any rate above the maximum ceiling configured. By default, the last ceiling is used.

*threshold percentage*

Threshold percentage per second. 0 - 100%. By default, the last ceiling is used.

---

**NOTE**

The first parameter indicates that any rate above the maximum ceiling configured, the second parameter is the threshold in percentage for those rates.

---

Command modes This command operates in MPLS global adjustment threshold configuration mode.

History

Release

Command history

*Multi-Service NetIron Release 05.6.00* The command was introduced.

Related commands None.



## adjustment-threshold

To specify the sensitivity of the automatic bandwidth adjustment of an LSP to changes in bandwidth utilization, use the `adjustment-threshold` command. This command is used to set the threshold for when to trigger automatic bandwidth adjustments. When automatic bandwidth adjustment is configured, bandwidth demand for the current interval is determined and compared to the LSPs current bandwidth allocation.

The `[no]` form of the command sets the adjustment threshold to the default value.

Syntax	<code>[no] adjustment-threshold use-threshold-table</code>				
Parameters	<p><code>use-threshold-table</code></p> <p>The <code>use-threshold-table</code> keyword indicates that the template has to use the <code>autobw-threshold</code> table to determine the threshold.</p>				
Command modes	This command operates in MPLS sub-configuration mode ( <code>config-mpls-template-template1</code> , <code>config-mpls-lsp-lsp1-autobw</code> ).				
History	<table><thead><tr><th>Release</th><th>Command history</th></tr></thead><tbody><tr><td><i>Multi-Service NetIron Release 05.6.00</i></td><td>The command was introduced.</td></tr></tbody></table>	Release	Command history	<i>Multi-Service NetIron Release 05.6.00</i>	The command was introduced.
Release	Command history				
<i>Multi-Service NetIron Release 05.6.00</i>	The command was introduced.				
Related commands	None.				

# 1 underflow-limit

## underflow-limit

This command sets the underflow-limit to the input value.

The [no] function of the command sets the underflow-limit back to the default value.

Syntax	[no] underflow-limit <i>value</i>				
Parameters	underflow-limit The number of consecutive samples which have to be below the threshold to trigger a premature adjustment. <i>value</i> Default is 0, meaning there is no premature adjustment because of underflow.				
Command modes	This command operates in MPLS sub-configuration mode (config-mpls-autobw-template-template1, config-mpls-lsp-lsp1).				
History	<table><thead><tr><th>Release</th><th>Command history</th></tr></thead><tbody><tr><td><i>Multi-Service NetIron Release 05.6.00</i></td><td>The command was introduced.</td></tr></tbody></table>	Release	Command history	<i>Multi-Service NetIron Release 05.6.00</i>	The command was introduced.
Release	Command history				
<i>Multi-Service NetIron Release 05.6.00</i>	The command was introduced.				
Related commands	None.				

## sample-recording

This command configures the template to record the sample history.

The [no] function of the command disables the option.

Syntax	[no] sample-recording [enable   disable]				
Command default	sample-recording disable				
Parameters	enable Sets the sample recording for this LSP or autobw-template. disable Removes the setting for the sample recording for this LSP or autobw-template.				
Command modes	This command operates in MPLS sub-configuration mode (config-mpls-autobw-template-template1, config-mpls-lsp-lsp1).				
History	<table> <thead> <tr> <th>Release</th> <th>Command history</th> </tr> </thead> <tbody> <tr> <td><i>Multi-Service NetIron Release 05.6.00</i></td> <td>This command was introduced.</td> </tr> </tbody> </table>	Release	Command history	<i>Multi-Service NetIron Release 05.6.00</i>	This command was introduced.
Release	Command history				
<i>Multi-Service NetIron Release 05.6.00</i>	This command was introduced.				
Related commands	None.				

# 1 clear mpls auto-bandwidth-samples

## clear mpls auto-bandwidth-samples

This command deletes the sample-history from the auto-bandwidth LSPs.

Syntax	clear mpls auto-bandwidth-samples [ <i>lsp lsp_name</i> ]				
Command default	None.				
Parameters	<p>lsp</p> <p>The lsp option clears the auto-bandwidth sample history for the LSP specified through the <i>lsp_name</i>.</p>				
Command modes	This command operate in EXEC mode.				
History	<table><thead><tr><th>Release</th><th>Command history</th></tr></thead><tbody><tr><td><i>Multi-Service NetIron Release 05.6.00</i></td><td>This command was introduced.</td></tr></tbody></table>	Release	Command history	<i>Multi-Service NetIron Release 05.6.00</i>	This command was introduced.
Release	Command history				
<i>Multi-Service NetIron Release 05.6.00</i>	This command was introduced.				
Related commands	None.				

## show mpls autobw-threshold-table

This command displays the global-threshold table with the range of current-bandwidth and the corresponding absolute adjustment-threshold.

Syntax	show mpls autobw-threshold-table				
Parameters	None.				
Command modes	This command operates in all modes.				
Example	<pre>Brocade# show mpls autobw-threshold-table Auto-bandwidth threshold table Range(kbps)   Threshold(kbps) 0-10          2000 11-1000       3000 1001-10000    5000 10001-max     10000</pre>				
History	<table> <thead> <tr> <th>Release</th> <th>Command history</th> </tr> </thead> <tbody> <tr> <td>Multi-Service NetIron Release 05.6.00</td> <td>The command was introduced.</td> </tr> </tbody> </table>	Release	Command history	Multi-Service NetIron Release 05.6.00	The command was introduced.
Release	Command history				
Multi-Service NetIron Release 05.6.00	The command was introduced.				
Related commands	None.				

## MPLS fast reroute using one-to-one backup

The *Multi-Service IronWare* software supports MPLS Fast Reroute to provide the ability for an LSP to route traffic around a failed node by using a detour route as described in RFC 4090. By using the one-to-one backup method, each LSR except the egress router is identified as a Point of Local Repair (PLR). Each PLR tries to initiate a *detour LSP* to provide a backup route for the protected path. This detour LSP is used to reroute traffic locally on the detour path in the event of a failure on the protected path.

### Finding a detour at a PLR

Figure 13 illustrates how the algorithm works to determine the detour at each PLR.

---

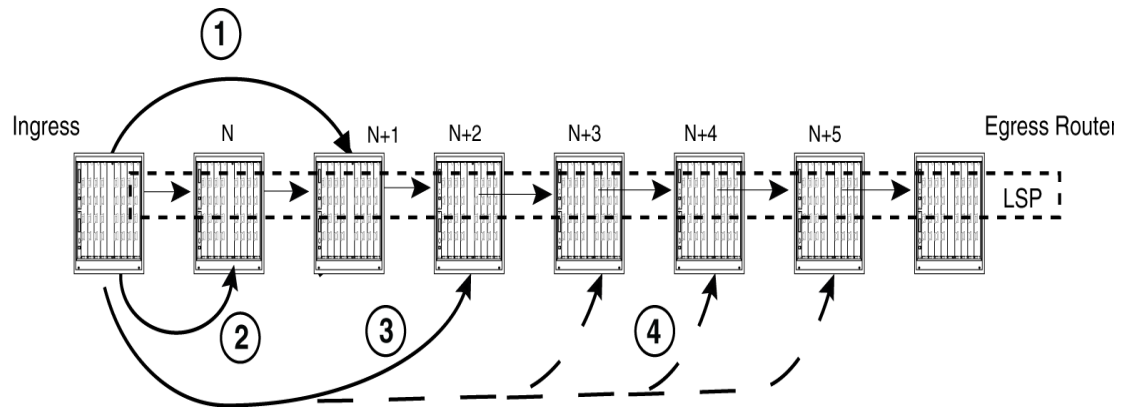
#### NOTE

Although the example illustrates this method from only the Ingress router point-of-view, the same functionality operates on each PLR in the protected path.

---

**FIGURE 13** Fast reroute using one-to-one backup

# 1 MPLS fast reroute using one-to-one backup



As shown In [Figure 13](#), MPLS Fast Reroute operates according to the steps in the following list in a situation where the path from the ingress router to router N becomes inoperable.

1. The router first tries to find a detour path from the ingress router to the N + 1 node that excludes the failed link that the protected path traverses out of the ingress route and Node N.
2. When unable to find a detour path to node N + 1, in step 1, the router attempts to find a detour path from the ingress router to node N that excludes the link that the protected path traverses out of the ingress router.
3. When it is unable to find a detour path in steps 1 and 2, it attempts to find a detour path to any downstream node (until it reaches the egress LSR) immediately following the node N+1 in strict order. The exclusion criteria includes the downstream links (in the direction of the protected LSP) used in the protected path at each PLR.

## Failover sequence

The following steps describe what happens when the ingress LER learns that a downstream break along an LSP has caused the LSP to take a detour.

1. At the PLR, the LSPs traffic has switched over to a detour within 50 msecs. Signaling has informed the router at the ingress LER of the tunnel that this event has occurred.
2. When the secondary path configured is a standby and it is in an operationally UP state, the ingress LER waits up to two minutes before switching the traffic to the LSPs secondary path. When the secondary path configured is a non-standby, the ingress LER attempts to bring the secondary path UP. Once the non-standby secondary path comes up, the ingress LER switches the traffic to the secondary path immediately.
3. The ingress LER tears down the LSPs primary path and builds a new primary path.

After the new primary path is up for the duration of the user-configured LSP revert timer, the LSP switches over to the primary LSP path.

## MPLS Fast Reroute using facility backup over a bypass LSP

A bypass LSP is an MPLS LSP that serves as a tunnel to support facility backup of multiple, Fast Reroute LSPs, as specified in RFC 4090. Although the underlying mechanism of this feature is facility backup, the execution of facility backup is implemented through a user-defined bypass LSP, so this section focuses on bypass LSP.

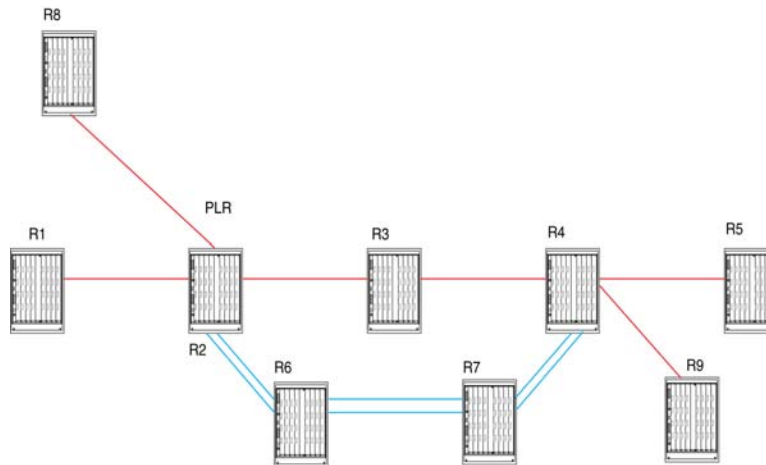
The advantage to using bypass LSP is an improvement in the scalability of protection. It provides a nearly hitless backup and, as a result, improves network resiliency. A bypass LSP consists of a predefined tunnel with a list of LSPs for which it is always ready to reroute traffic and is, therefore, a many-to-one backup. (With a detour backup, as described in [“MPLS fast reroute using one-to-one backup”](#), the network calculates an end-to-end detour for each disrupted LSP.)

The following definitions are important for understanding and configuring bypass LSPs:

- **Protected LSP:** An LSP whose traffic is carried over the bypass LSP when a link or router fails along the path of the protected LSP. When an MPLS LSP is configured to have Fast Reroute backup, that LSP can also be configured to request either facility backup or one-to-one backup.
- **Facility backup:** The standards-based mechanism for many-to-one backup.
- **Bypass LSP:** A tunnel that carries traffic when any number of its protected LSPs fail.
- **Point of local repair (PLR):** A router where the protected LSP and the bypass LSP first intersect and the LSPs bypass protection begins. Put another way, the PLR is the ingress of the bypass LSP. The PLR can be the ingress of the protected LSP or a transit node of the protected LSP. (refer to PLR/R2 in [Figure 14](#) and the description in [“Configuring a bypass LSP”](#).)
- **Merge point (MP):** The egress router of the bypass LSP, where it merges the traffic back into the protected LSPs. (R4 in [Figure 14](#) is the MP.) At the MP, the protected LSPs continue to carry traffic towards their own egress routers. Just as the PLR is common to all the LSPs protected by a specific bypass LSP, the MP must also be common to the protected LSPs.
- **Exclude interface:** An MPLS interface that is either a physical interface or a LAG and has the following traits:
  - It is an interface on the path of the protected LSP. (The notion that an excluded interface is protected by a bypass LSP is described in [“Configuring a bypass LSP”](#).)
  - It is an interface that cannot be part of the bypass LSP itself.
  - Exclude interfaces can consist of individual interfaces, ranges of interfaces, groups, or a LAG.

**FIGURE 14** Facility backup applied to multiple routers over a bypass LSP

# 1 MPLS Fast Reroute using facility backup over a bypass LSP



## Configuring a protected LSP

To acquire the protection of one or more bypass LSPs along its route, an LSP that is requesting facility backup checks the interfaces that it traverses for the availability of a bypass LSPs that meet its requirements. (A Fast Reroute LSP that needs facility backup must request it. Refer to [“Protecting MPLS LSPs through a bypass LSP”](#) for the configuration steps.) The requesting LSP checks all of the bypass LSPs on the outbound interface of each router and selects a candidate bypass LSP that best meets its criteria so that, when the protected LSP fails, its traffic immediately switches to the bypass LSP that is upstream from the point of failure.

When an LSP is enabled for Fast Reroute, the CLI enters the configuration level for Fast Reroute, which has the option for requesting facility backup. Entering the keyword `facility-backup` in the Fast Reroute level configures the LSP to request facility backup as provided by a bypass LSP. Subsequently, for the LSP to acquire the protection of a bypass LSP, that bypass LSP must have the bandwidth, the constraints, the route (for the merge point), and other criteria that the LSP requires. Furthermore, the configuration of the bypass LSP itself must list the interface on the router where the candidate LSP and the bypass LSP first intersect. The description of linking a Fast Reroute LSP to a bypass LSP is in [“Configuring a bypass LSP”](#).

## Configuring a bypass LSP

The crucial topics to understand for configuring a bypass LSP are the PLR, the merge point, and the excluded interfaces. This section provides a detailed definition of these items and describes how they relate to each other. Refer to [Figure 14](#) and [Figure 15](#) for the description of these topics.

The PLR is the ingress of a bypass LSP. When a protected link breaks downstream from the PLR, the bypass LSP carries the traffic of the LSPs it protects around the break. As shown in [Figure 14](#), the LSPs from R1 and R8 enter R2 (the PLR). The double line that originates at R2 and then traverses R6 and R7 to terminate at R4 is the bypass LSP.

In [Figure 14](#), the egress router for the protected LSPs is R5. Upstream from R5 is the point (R4) where the bypass LSP terminates and merges the traffic back into the protected LSPs. This router is the merge point.

In facility backup, the interfaces that go into this arrangement can belong to either:

- The bypass LSP



- The protected LSP

The specification of a bypass LSP includes manual entry of a list of interfaces at the PLR that cannot make up the bypass LSPs own route. These *excluded* interfaces are the interfaces that the protected LSPs traverse. Therefore, from the standpoint of the bypass LSP, the protected interfaces on the PLR are called *excluded* interfaces. (When the protected interfaces were included in the backup path rather than excluded from the backup path, then the interfaces would be protecting themselves – a logical contradiction.)

In facility backup, the linkage of the protected LSP to the bypass LSP is established by the following events:

- The request from an MPLS LSP for facility backup: At the ingress node (R1 in [Figure 14](#), for example), LSP 1 is configured to request facility backup.
- The intersection of an MPLS LSP and a bypass LSP: When an LSP requesting facility backup traverses an interface on a router (R2 [Figure 14](#)) with a bypass LSP that has LSP 1's outbound interface in its user-specified list of excluded interfaces, then LSP 1 can become protected at that point, and R2 is a PLR.

The bypass LSP identifies the interfaces to protect in the command that creates the bypass LSP. In [Figure 15](#), LSP 1 and LSP 2 enter R2. The outbound interfaces for these LSPs are e 1/1 and e1/2. To provide protection to LSP 1 and LSP 2, the interfaces e 1/1 and e 1/2 are listed as exclude interfaces in the configuration of the bypass LSP.

In complex topologies, an interface can have multiple bypass LSPs protecting it. For example, the LSPs that traverse an interface might have destinations that make a single merge point impossible, so multiple bypass LSPs would be needed in this case to support different LSPs. Therefore, more than one bypass LSP can have the same interface in its list of exclude interfaces.

---

**NOTE**

The bypass LSP must have the bandwidth capacity to carry the traffic of all of its assigned LSPs. Before a candidate LSP chooses a bypass LSP on a given interface, software determines whether the bypass LSP can reserve sufficient bandwidth for the candidate LSP.

---

---

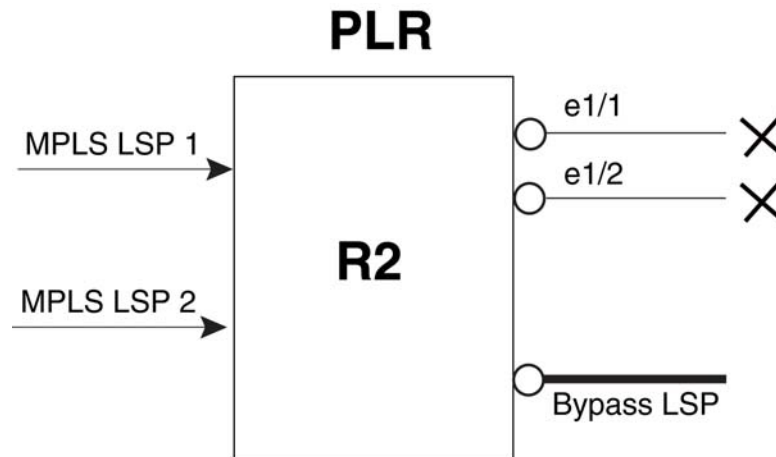
**NOTE**

In the current release, BFD for facility backup FRR LSP is not supported. The system returns an error when the user tries either to enable BFD for facility backup for an LSP or to set facility-backup mode for an LSP with BFD enabled. Further, the BFD option is not available in the bypass LSP configuration context.

---

# 1 MPLS Fast Reroute using facility backup over a bypass LSP

FIGURE 15 Excluded interfaces on a PLR



Bypass LSP, like one-to-one backup, fits within the scope of MPLS Traffic Engineering, so the configuration of bypass LSP includes elements of traffic engineering. For example, setting up a bypass LSP relies on RSVP and CSPF. In fact, CSPF is automatically enabled on a bypass LSP and, therefore, does not appear as a configurable option at the bypass LSP configuration level.

## CLI differences between a protected LSP and a bypass LSP

In the Fast Reroute context of MPLS LSP configuration, the user can request facility backup. For example, to request facility backup for LSP xmr2-199, use the following command.

```
Brocade(config-mpls-xmr2-199-frr)# facility-backup
```

For the configuration of a bypass LSP, certain parameters are either unsupported or unnecessary. These are:

- CSPF (because it is always enabled)
- BFD (not supported in this release)
- Commit
- Secondary path
- FRR
- Selected path
- IPMTU
- Metric
- Revert-timer
- Select-path
- Shortcuts

In contrast, the parameter that is unique to bypass LSP is the specification of excluded interfaces, which can be embodied as individual interfaces, ranges of interfaces, groups, or LAGs. With bypass LSP 123.

**Example**

```
Brocade(config-mpls)# bypass-lsp 123
Brocade(config-mpls-bypasslsp-123)# exclude-interface ethernet 1/1 ethernet 1/3
Brocade(config-mpls-bypasslsp-123)# exclude-interface ethernet 1/1 ethernet 1/3
to 1/4
```

Syntax: [no] exclude-interface ethernet | pos | ve *slot/port* [ethernet | pos | ve *slot/port* | to *slot/port*]

## Facility backup over an adaptive bypass LSP

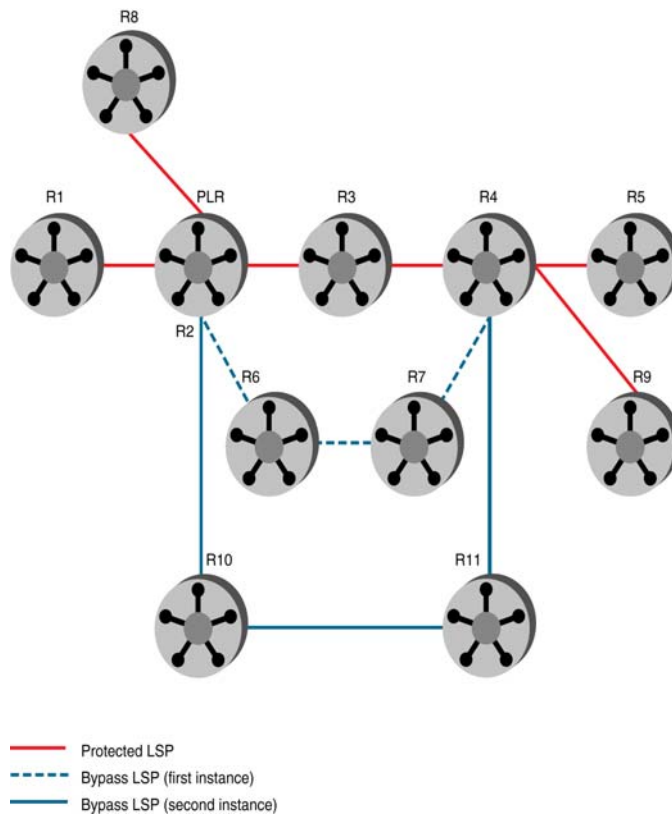
Adding the adaptive capability to a bypass LSP enables the following capabilities:

- An enabled bypass LSP can switch to a lower cost route, when one becomes available. This action is known as path reoptimization. Calculation of such a route can occur on demand, or periodically, based on the expiration of a configurable reoptimization timer.
- The user can modify LSP parameters on an enabled bypass LSP. Without the adaptive capability, the user must disable the bypass LSP before the user can modify its parameters.

Figure 16 shows an example of an adaptive bypass LSP for which a lower-cost route has been signaled. In this case, the original bypass LSP was configured to take the route beginning at the Point of Local Repair (PLR) at R2, through R6 and R7, and finally to the merge point at R4. A recalculation found a lower-cost route and re-routed the bypass LSP through R10 and R11, instead of R6 and R7. The Point of Local Repair does not change, nor does the merge point.

**FIGURE 16 Adaptive bypass LSP**

# 1 MPLS Fast Reroute using facility backup over a bypass LSP



A new instance of the bypass LSP becomes active as soon as it is signaled. After the new instance becomes active, the old instance is released.

To minimize the effect on user traffic, signaling of a new instance for the bypass LSP not does occur when the current instance is carrying traffic. In this regard, adaptive bypass LSPs behave differently from adaptive regular LSPs. When a reoptimization calculation finds a better route while the bypass LSP is carrying traffic, the reoptimization is discarded, and another calculation is made the next time the reoptimization timer expires. An attempt to change an LSP parameter when the bypass LSP is carrying traffic is delayed until the bypass LSP is no longer carrying traffic. The configuration is accepted and it takes effect when the LSP is re-routed or the new instance is signaled.

For bandwidth-protected LSPs, it is possible that a new bypass LSP instance could have a lesser bandwidth than the cumulative bandwidth of the LSPs it is protecting. For example, the user could alter the bandwidth of the bypass LSP with the traffic-eng mean-rate command. In this case, backups are released using a priority-based scheme until the bandwidth of the new bypass instance is at least as big as the cumulative bandwidth of the LSPs it protects.

For instructions on how to configure an adaptive bypass LSP, refer to [“Configuring a bypass LSP to be adaptive”](#).

## Adaptive Fast Reroute (FRR) and Global Revertiveness

Adaptive capabilities support to Fast Reroute (FRR) and enabling global revertiveness enables the following capabilities:

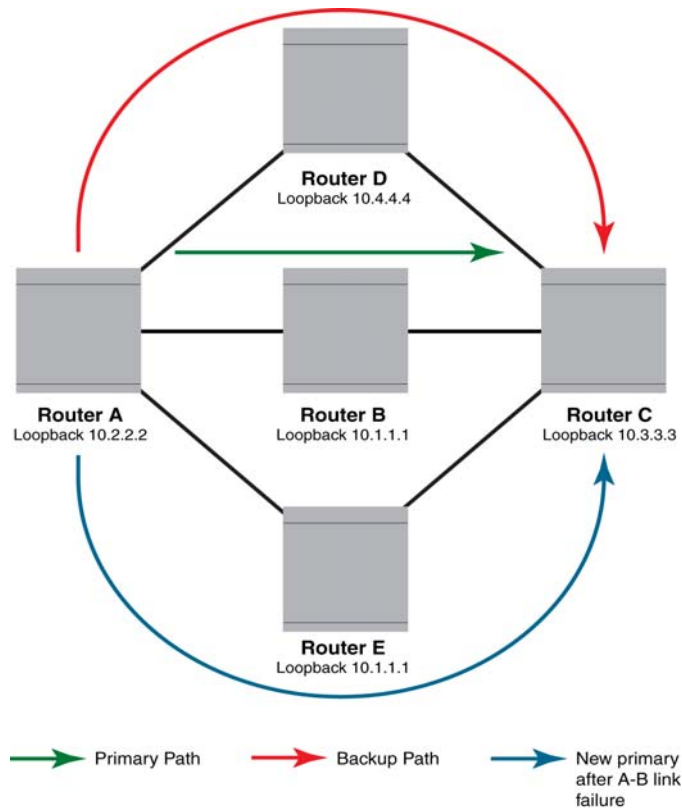
- Once FRR is triggered, a make-before-break operation is performed to reestablish the primary path. When an established path attempts to reroute onto a new path, the ingress device maintains existing paths and allocated bandwidths, ensuring that the existing path is not prematurely torn down and allowing the current traffic to continue flowing while the new path is set up.
- Configuration of the secondary path to have the LSP re-trigger the primary path is no longer required.
- The LSP waits for the configured revertive hold time after FRR is triggered before trying to re-optimize.

[Figure 17](#) shows an example of a primary LSP between A-B-C and backup over bypass tunnel on the path A-D-C. The primary LSP is configured without a strict path. When the interface between A-B goes down, the global revertiveness feature triggers a new LSP on the path A-E-C. The traffic is shifted to the new instance and old instance is torn down.

When the primary LSP is triggered with strict path (A-B-C), after global revertiveness is triggered, a new instance tries the same path given in the strict path. In [Figure 17](#), new instance also tries to come up in the path A-B-C.

**FIGURE 17** Sample topology for global revertiveness

# 1 Adaptive Fast Reroute (FRR) and Global Revertiveness



## Configuring FRR on an LSP to be adaptive

When an FRR is enabled, the user can change the following parameters without disabling the LSP:

- bandwidth
- exclude-any
- facility-backup

- hop-limit
- include-all
- include-any
- priority

For instructions on how to configure an adaptive FRR LSP, refer to [“Configuring MPLS Fast Reroute using one-to-one backup”](#).

## Global Revertiveness

---

### NOTE

Local revertiveness is not supported in this release.

---

When failover happens, traffic continues to flow in backup. When global revertiveness for FRR is configured, a new LSP is created from the ingress after the ingress learns about the failover. The new LSP is protected with a backup LSP, if possible. When the primary LSP fails for the second time, it may still be protected when there is a backup path available.

When secondary path is configured along with global revertive configuration, then when new instance of global revertive is triggered, the secondary path is also triggered. After “n” number of retries configured by user for establishing new instance for global revertiveness, traffic switches to the secondary path. The retry limit is configured in mpls policy mode. When the retry limit is not configured, then new instance establishment is tried infinite times.

### Configuring global revertiveness

Global revertiveness is enabled by default for LSPs with FRR and adaptive enabled. The revertive mode global command can be executed only on LSPs with FRR and adaptive enabled. To enable global revertiveness, enter commands such as the following.

---

### NOTE

When adaptive is disabled, then global revertiveness is also disabled.

---

```
Brocade(config-mpls)# lsp t1
Brocade(config-mpls-lsp-t1)# adaptive
Brocade(config-mpls-lsp-t1)# frr
Brocade(config-mpls-lsp-t1-frr)# revertive mode global
```

Syntax: [no] revertive mode global

The [no] option disables global revertiveness on an LSP.

## Setting the revertive hold time

Use the revertive hold-time command to specify the time the LSP holds before attempting a new path on the FRR LSP.

```
Brocade(config-mpls)# lsp t1
Brocade(config-mpls-lsp-t1)# adaptive
Brocade(config-mpls-lsp-t1)# frr
Brocade(config-mpls-lsp-t1-frr)# revertive mode global
Brocade(config-mpls-lsp-t1-frr)# revertive holdtime 20
```

Syntax: [no] revertive hold-time *hold-time-value*

The *hold-time-value* parameter specifies the hold time value in seconds. The hold-time is the time between the primary LSP failure and the trigger of new instance of LSP by global revertiveness. Possible range is one through 60 seconds.

The default is five seconds.

The [no] option sets it the timer to the default.

## Global Revertiveness configurations

Global revertiveness is enabled by default in FRR mode for an adaptive LSP.

### Adaptive LSP configuration

```
Brocade# configure terminal
Brocade(config)# router mpls
Brocade(config-mpls)# lsp t1
Brocade(config-mpls-lsp-t1)# to 10.3.3.3
Brocade(config-mpls-lsp-t1)# from 10.2.2.2
Brocade(config-mpls-lsp-t1)# traffic-eng mean-rate 1000
Brocade(config-mpls-lsp-t1)# adaptive
Brocade(config-mpls-lsp-t1)# frr
Brocade(config-mpls-lsp-t1-frr)# facility-backup
Brocade(config-mpls-lsp-t1-frr)# exit
Brocade(config-mpls-lsp-t1)# enable
Brocade(config-mpls)#
```

### Changing FRR bandwidth for an adaptive LSP

```
Brocade(config)#
Brocade(config)# router mpls
Brocade(config-mpls)# lsp t1
Brocade(config-mpls-lsp-t1)# frr
Brocade(config-mpls-lsp-t1-frr)# bandwidth 1000
Brocade(config-mpls-lsp-t1-frr)# exit
Brocade(config-mpls-lsp-t1)# commit
Brocade(config-mpls-lsp-t1)#
```

### Global Revertiveness configuration

Global revertiveness is enabled by default in FRR mode for an adaptive LSP.

```
Brocade# configure terminal
Brocade(config)# router mpls
Brocade(config)# policy
```



```

Brocade(config-mpls-policy)# retry-limit 20
Brocade(config-mpls-policy)# exit
Brocade(config-mpls)# lsp t1
Brocade(config-mpls-lsp-t1)# adaptive
Brocade(config-mpls-lsp-t1)# frr
Brocade(config-mpls-lsp-t1-frr)# revertive mode global
Brocade(config-mpls-lsp-t1-frr)# revertive holdtime 20
Brocade(config-mpls-lsp-t1-frr)# exit
Brocade(config-mpls-lsp-t1)# commit
Brocade(config-mpls-lsp-t1)#

```

## Displaying global revertiveness information

Use the `show mpls lsp name` command to display revertive mode information. The `show mpls lsp name lsp_name` command displays detailed information about a specific LSP name.

```

Brocade# show mpls lsp name tunnell
LSP tunnell, to 10.3.3.3
  From: 10.2.2.2, admin: UP, status: UP, tunnel interface(primary path): tn10
  Times primary LSP goes up since enabled: 1
  Metric: 0, number of installed aliases: 0 Adaptive
  Maximum retries: NONE, no. of retries: 0
  Pri. path: p1, up: yes (backup), active: yes
  Setup priority: 7, hold priority: 0
  Max rate: 0 kbps, mean rate: 0 kbps, max burst: 0 bytes
...
Active Path attributes:
  Tunnel interface: tn10, outbound interface: e1/3
...
Fast Reroute: facility backup desired
  Setup priority: 0, hold priority: 0
  Hop Limit: 3
...
Backup LSP: UP, out-label: 3, outbound interface: e1/3 bypass_lsp: by1
  Path cspf-group computation-mode: disabled
  Global revertiveness enabled with hold time 20 secs
  Revertive timer expires in 17 seconds
  FRR Forwarding State: Pri(down), Backup(active)

```

The output from the `show mpls lsp name lsp_name` command is enhanced to display the global revertiveness configuration. In this example, the global revertiveness is enabled with a hold time 20 seconds. The revertive timer is set to expire in 17 seconds. The secondary switchover timer is set to expire in 31 seconds which triggers the secondary path establishment.

## MPLS CSPF fate-sharing group

---

### NOTE

MPLS CSPF fate-sharing group configuration is supported on Brocade MLX series, Brocade NetIron XMR, Brocade NetIron CER, and Brocade NetIron CES devices.

---

A MPLS CSPF fate-sharing group or a Shared Risk Link Group (SRLG) is a method used to group Traffic Engineering (TE) links and nodes in a network that share the same risk of failure. The user can influence the path computation for a CSPF-enabled LSP by configuring a CSPF fate-sharing group so that both the protected path and the backup path avoid sharing the same TE links

traversed. The path computation for a CSPF-enabled LSP uses the information from the TE database to compute the best path for an LSP satisfying all constraints (bandwidth reservations, network topology information, available resources), yet has the shortest distance to its destination. The CSPF computation for an LSP only uses the information from the TE database at the time of computation. Any future updates to the TE database do not cause the CSPF-enabled LSP to recompute. Each CSPF fate-sharing group has an associated penalty (or cost) assigned to it. The penalty associated with a CSPF fate-sharing group is used to direct the path computation for a CSPF-enabled LSP away from TE links that share the same risk used by the set of TE links that the protected path is using. The greater the penalty associated with a group, the less likely the secondary or bypass LSP shares TE links used by the protected path.

A CSPF fate-sharing group is identified by a group name, and uses the following four ways to identify elements in the TE database:

- Interface address - The interface address identifies all TE links by either the local address, or the remote address matching the configured interface address.
- Point-to-point link - A point-to-point link identifies TE links by the local address and the remote address on an interface. A point-to-point link specifies the *from* address and the *to* address. The order in which the address is configured is not significant.
- Node - The node address is used to identify the device. All TE links from this device are included.
- Subnet - The IP address with subnet mask identifies all TE links by either the local interface or the remote address belonging to the configured subnet.

A CSPF fate-sharing group can be used in the following applications:

- The CSPF computation for setting up a secondary LSP when the associated primary LSP is in an UP state.
- The CSPF computation for a backup path when selecting the bypass LSP tunnel.
- The CSPF computation for a bypass LSP path.

Refer to, [“Configuring a MPLS CSPF fate-sharing group”](#) for more information on configuring the path computation for a CSPF-enabled LSP using CSPF fate-sharing group information.

## Configuration considerations when using CSPF fate-sharing group information

Consider the following when using CSPF fate-sharing group information:

---

### NOTE

This release only supports a single mode of CSPF computation for a CSPF group by adding penalties to each TE link's native IGP cost when it shares fate-sharing groups used by the protected path.

---

- CSPF computation using a CSPF group is only applicable when computing a secondary LSP path, or when computing a backup path for selecting a bypass LSP. It is not applicable to the primary or protected LSP path.
- CSPF calculates the least cost paths first and then applies the hop limit on the paths.
- CSPF computation using a CSPF group is used only for computing the secondary LSP path when the primary LSP is in an UP state. In this case, CSPF collects group information from all TE links used by the primary LSP. For each TE link, CSPF computes the total adjusted distance. The total adjusted distance for each TE link is equal to the native IGP cost of the TE link plus the sum of all penalties of the CSPF groups that the TE link is associated with, and used by the

primary LSP. For example, Q1, Q2, and Q3 is a collection of CSPF groups used by the primary LSP. TE link 1 is a member of CSPF groups Q1 and Q2. Q1 has a penalty of 10, and Q2 has a penalty 30. The total penalty of CSPF groups Q1 and Q2 is equal to 40. The total adjusted distance for TE link 1 is equal to the native IGP cost plus 40. The penalty is only applied once to each shared CSPF group that the TE link is associated with. The secondary LSP path is then computed from ingress to egress using the adjusted distance of each TE link.

- When computing a backup path by selecting a bypass LSP, CSPF collects group information from the outgoing interface used by the protected path. CSPF computation first selects the downstream merge point in the order of preference. When there is no bypass LSP that can reach the selected merge point, the next merge point is selected until there is at least one bypass LSP that can reach that merge point. For each bypass LSP that can reach the merge point, CSPF uses the collected group information to compute the total adjusted distance of each of the bypass LSPs. The bypass LSP with the lowest adjusted distance to the merge point is selected. When there are more than one bypass LSP with the lowest adjusted distance, select a bypass LSP by load balancing the number of protected LSPs riding over them.
- By default, the bypass LSP metric is not considered when selecting the bypass LSP tunnel. The CSPF computation mode of the bypass LSP metric must only be used when the bypass LSP metric must be considered so that the bypass LSP with the lowest metric is selected as the final bypass LSP tunnel.

## Configuring a MPLS CSPF fate-sharing group

To configure a CSPF fate-sharing group, perform the following steps in router MPLS mode.

1. Specify the CSPF group computation mode for a fate-sharing group, and enable the add-penalty option by entering the following command in MPLS policy mode.

```
Brocade(config-mpls-policy)# cspf-group computation-mode add-penalty
```

Syntax: [no] cspf-group computation-mode [add-penalty]

The `cspf-group computation-mode` command specifies the mode that is used when setting up a fate-sharing group. The `add-penalty` parameter specifies the penalty that is added from all CSPF groups associated with the same TE link used by the protected path. To disable the CSPF group computation mode, enter the `no` form of the command.

2. Configure a CSPF fate-sharing group by assigning a name to the group. Enter the following command in router MPLS mode.

```
Brocade(config-mpls)# cspf-group group3
```

Syntax: [no] cspf-group *group-name*

The `cspf-group group-name` command specifies the name of the fate-sharing group. The *group-name* variable can be up to 128 characters. The objects that can be specified for a fate-sharing group are interface, point-to-point link, node, and subnet. For more information on specifying objects for a fate-sharing group, refer to “[MPLS CSPF fate-sharing group](#)”. To disable the configuration, enter the [no] form of the command.

---

### NOTE

The maximum number of CSPF fate-sharing groups that can be configured on a device is 1000.

---

# 1 MPLS CSPF fate-sharing group

3. Set the penalty value for the CSPF fate-sharing group. Enter the following command.

```
Brocade(config-mpls-cspf-group-group3)# penalty 100
```

Syntax: [no] penalty *penalty-value*

The penalty *penalty-value* command specifies the penalty value that is assigned to objects of the same fate-sharing group. The range is from 1 through 65535. The default value is one (1). Objects of the same fate-sharing group share the same penalty value. For example, all objects in group 3 share the same penalty value of 100. To disable the configuration, enter the [no] form of the command.

4. Configure the local address of the CSPF fate-sharing group. Enter the following command.

```
Brocade(config-mpls-cspf-group-group3)# from 10.1.1.1
```

To configure from the local address to the remote address on a point-to-point link, enter the following command.

```
Brocade(config-mpls-cspf-group-group3)# from 10.1.1.1 to 10.1.1.2
```

Syntax: [no] from *ip-address* [to *remote-ip-address*]

The from *ip-address* command configures only the local interface of the routing device. This command penalizes any link on this interface, but not all links when the link is a multi-access link. When the to *remote-ip-address* parameter is configured, the command applies to a point-to-point link on an interface. The *ip-address* and the *remote-ip-address* variables specify IPv4 addresses. To disable the configuration, enter the [no] form of the command.

---

## NOTE

The order in which the local IP address to the remote IP address is configured is insignificant. For example, the configuration from 10.10.10.10 to 10.20.20.20 and from 10.20.20.20 to 10.10.10.10 has the same meaning.

---

5. Configure the local IP address with the subnet mask. Enter the following command.

```
Brocade(config-mpls-cspf-group-group3)# from 10.1.2.1/24
```

Syntax: [no] from *ip-address/subnet-mask*

The from *ip-address/subnet-mask* command specifies the local IP address with the subnet mask of the routing device. The *subnet-mask* variable specifies the subnet mask of the IP address. When the command is configured, every link in the subnet is penalized. To disable the configuration, enter the [no ] form of the command.

6. To penalize all links from the node IP address, enter the following command.

```
Brocade(config-mpls-cspf-group-group3)# node 10.1.1.1
```

Syntax: [no] node *ip-address*

The node *ip-address* command is used to penalize all links originating from the node IP address. To disable the configuration, enter the [no ] form of the command.

## Deleting CSPF groups

This feature is an enhancement to all Brocade devices running MPLS, enabling users to delete all the CSPF fate-share groups using a single command. Users are required to confirm execution with a warning message. Previous implementations required users to delete each group individually. The enhancement is backward compatible so the earlier command continues to be supported on all Brocade devices running MPLS.

### Deleting a CSPF group

In this example, group3 has already been set up as a fate-sharing CSPF group. To delete this CSPF fate-sharing group, enter the following command in router MPLS mode.

```
Brocade(config-mpls)# no cspf-group group3
```

Syntax: [no] cspf-group *group-name*

The *group-name* variable specifies the name of the fate-sharing group and can be up to 128 characters. The objects that can be specified for a fate-sharing group are interface, point-to-point link, node, and subnet. The maximum number of CSPF fate-sharing groups that can be configured on a device is 1000. To delete each configuration group individually, enter the above command with the relevant value for the *group-name* argument.

This feature enhancement allows you to delete all configured groups at once. Use a single no cspf-group command. This command is only available at the router-mpls level and takes no arguments.

### Sample configuration

These are the commands for use with the feature.

```
Brocade (config)# router mpls
Brocade (config-mpls)# no cspf-group
This will delete all the CSPF groups
Do you want to continue? (enter 'y' or 'n'): y
Brocade (config-mpls)#
```

All the CSPF groups are deleted at once at this point.

---

#### NOTE

If there are no cspf-groups to delete, the system generates an error message.

---

```
Brocade (config-mpls)# no cspf-group
This will delete all the CSPF groups
Do you want to continue? (enter 'y' or 'n'): y
No CSPF-groups to delete
Brocade (config-mpls)#
```

### Displaying CSPF fate-sharing group configuration

To display CSPF fate-sharing group configuration for all groups configured on a device, use the show mpls config command or the show run command. To display CSPF fate-sharing group information for a specific CSPF group, use the show mpls config cspf-group *cspf-group name* command. The output from the show mpls config command, and the output from the show run command displays the same CSPF fate-sharing group information. In the following example output, CSPF fate-sharing group information is displayed for CSPF group test8.

# 1 MPLS CSPF fate-sharing group

```
Brocade# show mpls config cspf-group test8

cspf-group test8
penalty 65535
  node 10.7.7.3
  node 10.7.7.8
```

Syntax: `show mpls config cspf-group cspf-group name`

The *cspf-group name* variable specifies the name of the CSPF group for which the user wants to display information.

Fate-sharing group membership for any given TE link or node consists of its own membership to the group, and the TE node to which it belongs. The output from the `show mpls ted database detail` command is enhanced to display the fate-sharing groups to which the TE links or nodes belong. In the following example output, node 10.20.20.20 displays fate-sharing group information for group1/100 and group2/10.

```

Brocade# show mpls ted database detail
This Router is 10.100.100.100
Global Link Gen 21

Area 0
NodeID: 10.20.20.20, Type: Router
info from applied local policies:
cspf-group member information (name/penalty):
  group1/100

Type: P2P, To: 10.1.1.1, Local: 10.1.1.2, Remote: 10.1.1.1, Gen 16
Admin Group: 0x00000000
Metric: 1
Link BW: 10000000 kbits/sec
Reservable BW: 10000000 kbits/sec
Unreserved BW:
  [0] 10000000 kbits/sec [1] 10000000 kbits/sec
  [2] 10000000 kbits/sec [3] 10000000 kbits/sec
  [4] 10000000 kbits/sec [5] 10000000 kbits/sec
  [6] 10000000 kbits/sec [7] 10000000 kbits/sec
info from applied local policies:
cspf-group member information (name/penalty):
  group2/10

Type: P2P, To: 10.1.2.1, Local: 10.1.2.2, Remote: 10.1.2.1, Gen 13
Admin Group: 0x00000000
Metric: 1
Link BW: 10000000 kbits/sec
Reservable BW: 10000000 kbits/sec
Unreserved BW:
  [0] 10000000 kbits/sec [1] 10000000 kbits/sec
  [2] 10000000 kbits/sec [3] 10000000 kbits/sec
  [4] 10000000 kbits/sec [5] 10000000 kbits/sec
  [6] 10000000 kbits/sec [7] 10000000 kbits/sec
Type: M/A, To: 1.1.3.1, Local: 1.1.3.2, Remote: 1.1.3.1, Gen 19
Admin Group: 0x00000000
Metric: 1
Link BW: 10000000 kbits/sec
Reservable BW: 10000000 kbits/sec
Unreserved BW:
  [0] 10000000 kbits/sec [1] 10000000 kbits/sec
  [2] 10000000 kbits/sec [3] 10000000 kbits/sec
  [4] 10000000 kbits/sec [5] 10000000 kbits/sec
  [6] 10000000 kbits/sec [7] 10000000 kbits/sec

```

Syntax: show mpls ted database detail

The show mpls lsp *lsp\_name* command displays detailed information about a specific LSP name. The output from the show mpls lsp *lsp\_name* command is enhanced to display whether the fate-sharing group information is applied to the path computation for a specified LSP. When fate-sharing group information is applied, “yes” is displayed in the field, Fate-sharing group applied. When fate-sharing group information is not applied, “no” is displayed in the field. Fate-sharing group information can also be applied to the path computation for a secondary LSP or a bypass LSP path. In the following example, fate-sharing group information is applied to LSP test2.

# 1 MPLS CSPF fate-sharing group

```
Brocade# show mpls lsp test2
LSP test2, to 10.100.100.100
  From: 10.20.20.20, admin: UP, status: UP, tunnel interface(primary path):
tnl3

  Times primary LSP goes up since enabled: 1
  Metric: 0, number of installed aliases: 0 Adaptive
  Maximum retries: NONE, no. of retries: 0
  Pri. path: NONE, up: yes, active: yes
  Setup priority: 7, hold priority: 0
  Max rate: 0 kbps, mean rate: 0 kbps, max burst: 0 bytes
  Constraint-based routing enabled: yes
  Tie breaking: random, hop limit: 0
  LDP tunneling enabled: no
  Sec. path: path2, active: no
  Hot-standby: yes, status: up
  Setup priority: 7, hold priority: 0
  Max rate: 0 kbps, mean rate: 0 kbps, max burst: 0 bytes
  Constraint-based routing enabled: yes
Fate-sharing group applied: yes
  hop limit: 0
Active Path attributes:
  Tunnel interface: tnl3, outbound interface: e1/1
  Tunnel index: 2, Tunnel instance: 1 outbound label: 3
  Path calculated using constraint-based routing: yes
  Path calculated using interface constraint: no
Recorded routes:
  Protection codes: P: Local N: Node B: Bandwidth I: InUse
  10.1.1.1
```

Syntax: show mpls lsp *lsp\_name*

The *lsp\_name* variable specifies the name of the LSP for which the user wants to display information.

In the following example output, the primary LSP path, and the secondary bypass LSP path is UP. The add-penalty parameter is enabled under the CSPF group computation mode as highlighted below.

```
Brocade# show mpls lsp name test2
LSP test2, to 10.100.100.100
  From: 10.20.20.20, admin: UP, status: UP, tunnel interface(primary path):
tnl3

  Times primary LSP goes up since enabled: 1
  Metric: 0, number of installed aliases: 0 Adaptive
  Maximum retries: NONE, no. of retries: 0
Pri. path: NONE, up: yes, active: yes
  ...
Sec. path: path2, active: no
  Hot-standby: yes, status: up
  Setup priority: 7, hold priority: 0
  Max rate: 0 kbps, mean rate: 0 kbps, max burst: 0 bytes
  Constraint-based routing enabled: yes
Path cspf-group computation-mode: add-penalty
```



Syntax: show mpls lsp name *lsp\_name*

The show mpls bypass-lsp name *lsp\_name* command displays detailed information about a specific bypass LSP name. The output from the show mpls bypass-lsp name *lsp\_name* command is enhanced to display CSPF fate-sharing group configuration for a bypass LSP path. In the following example, the add-penalty parameter is enabled under the CSPF group computation mode for the bypass LSP path as highlighted below.

```
Brocade# show mpls bypass-lsp name test
LSP test, to 10.100.100.100
  From: 10.20.20.20, admin: UP, status: UP, tunnel interface(primary path):
tnl3
  Times primary LSP goes up since enabled: 1
  Metric: 0, number of installed aliases: 0 Adaptive
  Maximum retries: NONE, no. of retries: 0
  Pri. path: NONE, up: yes, active: yes
  Setup priority: 7, hold priority: 0
  Max rate: 0 kbps, mean rate: 0 kbps, max burst: 0 bytes
  Constraint-based routing enabled: yes
  Path calculated using constraint-based routing: yes
  Path calculated using interface constraint: no
  Path cspf-group computation-mode: add-penalty
```

In the following example output, the backup LSP path is UP. The add-penalty parameter is enabled under the CSPF group computation mode as highlighted below.

# 1 MPLS CSPF fate-sharing group

```
Brocade# show mpls bypass-lsp name test
LSP test, to 10.100.100.100
  From: 10.7.7.1, admin: UP, status: UP, tunnel interface(primary path):
tnl3
  Times primary LSP goes up since enabled: 1
  Metric: 0, number of installed aliases: 0
  Maximum retries: NONE, no. of retries: 0
  Pri. path: new, up: yes, active: yes
  Setup priority: 7, hold priority: 0
  Max rate: 0 kbps, mean rate: 0 kbps, max burst: 0 bytes
  Constraint-based routing enabled: yes
  Path calculated using constraint-based routing: yes
  Path calculated using interface constraint: no
  Tie breaking: random, hop limit: 0
  LDP tunneling enabled: no
  Active Path attributes:
  Tunnel interface: tnl3, outbound interface: e4/7
  Tunnel index: 4, Tunnel instance: 1 outbound label: 5908
  Explicit path hop count: 3
  10.8.3.1 (S) -> 10.9.11.1 (S) -> 10.1.1.2 (S)
  Recorded routes:
  Protection codes: P: Local N: Node B: Bandwidth I: InUse
  10.8.3.1 -> 10.9.11.1 -> 10.1.1.2
  Fast Reroute: facility backup desired
  Backup LSP: UP, out-label: 3, outbound interface: e4/18 bypass_lsp:
bkp-2
  Path cspf-group computation-mode: add-penalty
  FRR Forwarding State: Pri(active), Backup(up)
```

Syntax: show mpls bypass-lsp name *lsp\_name*

## MPLS traffic engineering flooding reduction

Traffic engineering advertisements are triggered when a threshold value is reached or crossed. For all other bandwidth changes, a periodic flooding timer or Connection Admission Check (CAC) failure triggers the TE advertisements. When no thresholds are crossed, changes are flooded periodically unless periodic flooding was disabled. Configurations can be executed as a global configuration or interface specific configuration.

Interface specific configurations supersedes global configuration and default values. Global configuration supersedes default values. When there is no interface specific configuration and global configuration, then the default values are used.

### Global configuration

Reserved bandwidth threshold configuration can be executed globally and is applied to all MPLS interfaces. Global configurations are done at the policy mode under router mpls.

To set RSVP TE flooding thresholds at the global configuration level, use the `rsvp-flooding-threshold` commands as shown in the following.

```
Brocade(config)# router mpls
Brocade(config-mpls)# policy
Brocade(config-mpls-policy)# rsvp-flooding-threshold up 10 20 30 40 50 55 60 65 70
85 90 92 93 94 95 96 97 98 99 100
Brocade(config-mpls-policy)# rsvp-flooding-threshold down 99 98 97 96 95 94 93 92
91 90 85 80 75 70 65 60 55 50 40 30 20 10
```

The `rsvp-flooding-threshold` command can be executed multiple times in the policy mode, the threshold values are added to the existing set of global threshold values. The previously configured values are not overwritten.

The default values for the `rsvp-flooding-threshold` command are list below:

The default for DOWN is 99, 98, 97, 96, 95, 90, 85, 80, 75, 60, 45, 30, 15

The default for UP is 15, 30, 45, 60, 75, 80, 85, 90, 95, 96, 97, 98, 99, 100

In the example below, the UP threshold contains 10, 50, 55, 95, 96, 97, 98, 99 and 100. The DOWN threshold contains 50, 40, 30, 20 and 10.

```
Brocade(config)# router mpls
Brocade(config-mpls)# policy
Brocade(config-mpls-policy)# rsvp-flooding-threshold up 10 50 55 95 96
Brocade(config-mpls-policy)# rsvp-flooding-threshold up 97 98 99 100
Brocade(config-mpls-policy)# rsvp-flooding-threshold down 50 40 30
Brocade(config-mpls-policy)# rsvp-flooding-threshold down 20 10
Brocade(config-mpls-policy)#
```

## Interface specific configuration

The `rsvp-flooding-threshold` command can be executed multiple times for the same interface. The threshold values are added to the existing set of values for the interface. Previously configured values are not overwritten. The interface specific configuration overrides the global configuration. Using the `no` form of this command removes the sub-set of the configured threshold values.

Use the `rsvp-flooding-threshold` command at the MPLS interface level as shown below to set the reserved bandwidth threshold.

```
Brocade(config)# router mpls
Brocade(config-mpls)# mpls-interface ethernet 1/1
Brocade(config-mpls-if-e100-1/1)# rsvp-flooding-threshold up 10 20 30 40 50 55 60
65 70 85 90 92 93 94 95 96 97 98 99 100
Brocade(config-mpls-if-e100-1/1)# rsvp-flooding-threshold down 99 98 97 96 95 94
93 92 91 90 85 80 75 70 65 60 55 50 40 30 20 10
Brocade(config-mpls-if-e100-1/1)#
```

In the example below, the UP thresholds contain 10, 50, 55, 95, 96, 97, 98 and 100. The DOWN thresholds contain 50, 40, 30, 20 and 10.

```
Brocade(config)# router mpls
Brocade(config-mpls)# mpls-interface ethernet 1/1
Brocade(config-mpls-if-e100-1/1)# rsvp-flooding-threshold up 10 50 55 95
Brocade(config-mpls-if-e100-1/1)# rsvp-flooding-threshold up 96 97 98 99 100
Brocade(config-mpls-if-e100-1/1)# rsvp-flooding-threshold down 50 40
Brocade(config-mpls-if-e100-1/1)# rsvp-flooding-threshold down 30 20 10
Brocade(config-mpls-if-e100-1/1)#
```

Syntax: `[no] rsvp-flooding-threshold [up|down][percentage]*`

Use the `[no]` form of this command to remove the RSVP TE flooding threshold configuration.

The `down` option sets the thresholds for decreased resource availability. Valid values are from 0 to 99. The default values for down is 100, 99, 98, 97, 96, 95, 90, 85, 80, 75, 60, 45, 30, 15.

The `up` option sets the thresholds for increased resource availability. Valid values are from 1 to 100. The default values for up is 15, 30, 45, 60, 75, 80, 85, 90, 95, 97, 98, 99, 100.

The `percentage` option sets the bandwidth threshold level.

"\*" represents multiple percent values can be given. A minimum one percentage value is required.

Percentage values can be given in any order and are internally sorted before storing.

## Configuring the periodic flooding timer

All MPLS interfaces are checked every three minutes by default. TE advertisements are triggered when there is a difference in the available bandwidth and advertised available bandwidth.

Use the `rsvp-periodic-flooding-timer` command to set the interval for periodic flooding. The interval is set in seconds. To set the interval as 240 which triggers periodic flooding every four minutes, enter commands such as the following.

```
Brocade(config)# router mpls
Brocade(config-mpls)# policy
Brocade(config-mpls-policy)# rsvp-periodic-flooding-timer 240
Brocade(config-mpls-policy)# no rsvp-periodic-flooding-timer
Brocade(config-mpls-policy)#
```

Syntax: `[no] rsvp-periodic-flooding-timer interval`

Use the *interval* parameter to set the length of interval used for periodic flooding (in seconds). Valid range is zero, 30-3600. For value zero, periodic flooding is turned off.

The `[no]` form of this command can be used to set the periodic flooding timer to default value.

## MPLS over virtual Ethernet interfaces

Brocade devices support MPLS over virtual ethernet (VE) interfaces. MPLS over VE interfaces enables MPLS to be configured over tagged links. With this feature, MPLS can run over a single tag on the port. Other tags on the port can be used for other applications, such as Layer 2 VLANs, VPLS endpoints, VLL endpoints, etc.

An MPLS enabled VE interface supports the following services.

- IP over MPLS
- L3VPN
- Transit LSR
- PBR over MPLS
- LSP Accounting
- MPLS VLL
- MPLS VPLS
- Multicast Snooping over VPLS
- 802.1ag
- MPLS OAM
- BFD

---

**NOTE**

MPLS over VE interfaces is supported on both Brocade NetIron XMR and Brocade MLX series devices, and on Brocade NetIron CES and Brocade NetIron CER devices.

---

**NOTE**

MPLS encapsulated packets are not supported for sFlow processing.

---

---

**NOTE**

Multi-port static ARP configuration is not supported for MPLS uplinks.

---

## Configuration considerations before enabling MPLS on a VE interface

Before enabling MPLS on a VE interface, consider the configuration notes in this section.

- The user must create a VE *vid* virtual interface id. The virtual interface id is a decimal number that represents an already configured VE interface. For more information on enabling MPLS on a VE interface, refer to “[Configuring MPLS on a VE interface](#)”.
- At least one IP address must be configured over a VE interface.
- The user can enable MPLS on two or more tags on the same port.
- In the output of the show vlan command, MPLS packets that are received on an MPLS enabled VE interface are displayed in the Bytes received field.

In order to support configuration of MPLS uplinks and layer 2 VPN endpoints on the same physical port, consider the following:

- When an untagged or tagged Layer 2 VPN endpoint is configured and the port belongs to a MPLS VE enabled default VLAN, the configuration is rejected. The following error message is displayed.

```
Brocade(config-mpls-vll-test)# untagged ethernet 4/3
Error - Cannot configure VLL endpoint on port 4/3 since it belongs to the MPLS
VE enabled default VLAN
```

- When an untagged or tagged Layer 2 VPN endpoint is deleted and the port is returned to the default VLAN, when an MPLS VE exists on the default VLAN, the port automatically converts to an MPLS uplink.

## MPLS enabled interface

When enabling MPLS on a VE interface, consider the following.

- The user cannot delete a VE interface while MPLS is enabled on it. The user must first remove MPLS from the interface configuration. The following error message is displayed.

```
Brocade(config)# no interface ve 20
Error - VE 20 has MPLS enabled
```

- The user cannot delete a VLAN associated with a VE when MPLS is enabled on that VE. The user must first disable MPLS from the VE interface. The following error message is displayed.

```
Brocade(config)# no vlan 20
Error - vlan can't be deleted as MPLS is enabled on associated VE interface
```

- When MPLS is enabled on an interface, the last IP address of a VE cannot be removed. The command is rejected. The following error message is displayed.

```
Brocade(config-vif-54)# no ip address 10.40.40.5/24
IP/Port: Error(31) Can not remove IP address as MPLS is configured on the port
```

## VPLS CPU protection

---

### NOTE

VPLS CPU protection is not applicable to Brocade NetIron CES or Brocade NetIron CER devices.

---

When enabling MPLS on a VE interface with VPLS CPU protection turned on, consider the following.

- VPLS CPU protection must be disabled globally, or disabled on all instances of VPLS that has VE member port as the VPLS endpoint. When VPLS CPU protection is not disabled, then MPLS cannot be enabled on a VE interface. The following error message is displayed.

```
Brocade(config-mpls)# mpls-interface ve 1
Error - Port 4/3 belongs to a VPLS instance that has CPU-protection ON
```

- The user cannot configure a VPLS endpoint on a member of a MPLS VE enabled interface when VPLS CPU protection is configured globally, or for a specified instance. The configuration is rejected, and the following error message is displayed.

```
Brocade(config-mpls-vpls-test-vlan-11)# tagged ethernet 4/3
Error - VPLS instance test has CPU protection ON and port 4/3 belongs to a MPLS VE
```

- When a VPLS endpoint belonging to a VPLS instance (with CPU protection turned on) is on a port that does not belong to the VE, then the user cannot add a port in an untagged or tagged mode to a VLAN which has a MPLS VE on it.

```
Brocade(config-vlan-100)# tagged ethernet 4/7
Error - Port 4/7 belongs to a VPLS instance that has CPU protection ON
```

- On an MPLS VE enabled interface, when a VPLS endpoint is a member of the VE interface, but VPLS CPU protection is not configured for the VPLS instance, then configuring VPLS CPU protection globally does not enable CPU protection for that instance. When VPLS CPU protection is enabled locally on that instance, the configuration is also rejected. The following error message is displayed.

```
Brocade(config-mpls)# vpls-cpu-protection
Error - Cannot configure CPU protection for VPLS 111 as end-points share the
same physical port as MPLS VE interfaces.
CPU protection feature is not turned on for VPLS 111
```

## Reverse path forwarding

When enabling MPLS on a VE interface with reverse path forwarding, consider the following.

- The user cannot configure MPLS on a VE interface that has at least one member port enabled with RPF strict mode. The command is rejected, and the following error message is displayed.

```
Brocade(config-if-e1000-4/3)# mpls-interface ve 1
Error - Cannot configure MPLS on VE with RPF strict mode port e 4/3
```

- The user cannot configure RPF strict mode on a port that is a member of a MPLS VE interface. The command is rejected, and the following error message is displayed.

```
Brocade(config-if-e1000-4/3)# rpf-mode strict
Error: RPF: Cannot configure RPF strict mode on an MPLS VE enabled interface
```

- The user cannot add a port to a MPLS VE enabled VLAN when the RPF strict mode is already enabled on the port. The command is rejected, and the following error message is displayed.

```
Brocade(config-vlan-100)# tagged ethernet 4/3
Error - Cannot add RPF strict mode port 4/3 to MPLS VE enabled VLAN 100
```

## Port mirroring

When enabling MPLS on a VE interface with port mirroring configured, consider the following.

- The user cannot configure MPLS on a VE interface that has at least one member port enabled with port mirroring. The command is rejected, and the following error message is displayed.

```
Brocade(config-mpls)# mpls-interface ve 54
Error - Can not configure MPLS tunnel on ve 54 with mirror port e4/3
```

- The user cannot configure a MPLS VE member port as a mirror port. The command is rejected, and the following error message is displayed.

```
Brocade(config)# mirror-port e 4/3
Error: Cannot mirror a port that has MPLS VE configured
```

- The user cannot add a mirror port to a MPLS VE enabled VLAN. The command is rejected, and the following error message is displayed.

```
Brocade(config-vlan-100)# tagged ethernet 4/3
Error - Cannot add mirror port 4/3 to MPLS VE enabled VLAN 100
```



## Protocol-based VLANs

When enabling MPLS on a VE interface associated with a protocol-based VLAN, consider the following.

---

### NOTE

MPLS is supported only on VE interfaces that are configured on port-based VLANs.

---

- The user cannot configure MPLS on a VE interface associated with a protocol based VLAN. The command is rejected, and the following error message is displayed.

```
Brocade(config-mpls)# mpls-interface ve 1
Error: Cannot configure MPLS on VE built on protocol-based VLAN
```

## VRF

When enabling MPLS on a VE interface for a VRF instance, consider the following.

---

### NOTE

When configuring MPLS on a VE interface on a VLAN port, the user can also configure a VRF instance on other VLANs of the same port.

---

- The user cannot configure a VRF instance on a MPLS VE enabled interface. The following error message is displayed.

```
Brocade(config-vif-20)# vrf forwarding test
Error - cannot configure VRF on an MPLS VE enabled interface
```

## Class of Service (CoS)

---

### NOTE

On Brocade NetIron CES and Brocade NetIron CER devices, by default the internal priority of a packet received on a tagged MPLS uplink is mapped only from EXP bits. The PCP bits are not used.

---

By default, the internal priority of a packet received on a tagged MPLS uplink is mapped from PCP and EXP bits. When determining the internal priority, the first step is to merge the PCP and EXP bits. In this step, when configuring the qos exp force command on an interface, the internal priority is mapped only from EXP bits and PCP bits are ignored. The qos exp force command does not override the port priority command. In the second step, the port priority is merged with the internal priority so the qos exp force command has no effect on this step.

By default, the internal priority of a packet sent out on a tagged MPLS uplink is mapped into EXP and PCP bits. When configuring the qos pcp-encode policy off command on an outgoing interface, the PCP bits is zero.

## Configuring MPLS

This section explains how to set up MPLS on devices. It contains the following topics:

- “Enabling MPLS”
- “RSVP message authentication”
- “Configuring MPLS on a VE interface”
- “Setting up signaled LSPs”
- “Configuring signaled LSP parameters”
- “Configuring an adaptive LSP”
- “Configuring MPLS Fast Reroute using one-to-one backup”
- “Protecting MPLS LSPs through a bypass LSP”

### Enabling MPLS

MPLS is disabled by default. To enable MPLS on a device, the user must perform the steps listed below.

1. Enable MPLS on the device
2. Enable MPLS on individual interfaces
3. Set global MPLS policy parameters (optional)
4. Set traffic engineering parameters for MPLS-enabled interfaces (optional)
5. Set RSVP parameters (optional)

#### Enabling MPLS on the device

To enable MPLS on the device, enter the following commands.

```
Brocade> enable
Brocade# configure terminal
Brocade(config)# router mpls
```

Syntax: [no] router mpls

To disable MPLS on the device, use the [no] form of the command.

#### Enabling MPLS on individual interfaces

---

**NOTE**

To quickly enable RSVP on multiple interfaces, a range of MPLS interfaces can be specified. However, the user must configure other parameters, such as the amount of reservable bandwidth on each interface individually.

---

After the user enables MPLS globally on the device, the user can enable it on one or more interfaces. For example, to enable MPLS on interface e 3/1.

```
Brocade(config-mpls)# mpls-interface e 3/1
```

Syntax: [no] mpls-interface all-ethernet | ethernet *slot/port* | pos *slot/port* |ve *vid*

The all-ethernet option specifies all Layer-3 Ethernet interfaces.

The ethernet option specifies the individual Ethernet interface described by the *slot/port* variable.

The pos option specifies the individual POS interface described by the *slot/port* variable.

The ve option specifies the individual virtual ethernet (VE) interface described by the *vid* variable.

## Configuration Considerations for enabling MPLS on a LAG interface

When MPLS is globally enabled on the device, a port that is configured in a LAG can be enabled as an MPLS interface port to create an MPLS LAG. The user can do this through either of the following approaches:

- Include a primary LAG port that has already been MPLS -enabled in a new LAG.
- MPLS-enable a primary LAG port of a previously configured LAG.

The user must consider the following points when configuring MPLS on a LAG

- MPLS configuration on dynamic lag interfaces are supported.
- Switch and LACP LAGs are not supported.
- MPLS is enabled on the primary port of the LAG and this enables MPLS on the entire LAG. Secondary ports of the LAG cannot be individually configured for MPLS.

## Setting global MPLS policy parameters

The user can optionally set the following global MPLS policy parameters (they apply to all MPLS-enabled interfaces on the device):

- Retry time
- Retry limit
- Administrative group names
- Whether the device sends out OSPF-TE LSAs for its MPLS-enabled interfaces
- Whether the device sends out IS-IS LSPs with TE extensions for its MPLS-enabled interfaces
- Configuring IP-over-MPLS TTL Propagation Control
- LSP Accounting

### Setting the retry time

When a signaled LSP is enabled, the ingress LER attempts to connect to the egress LER over the primary path specified in the LSPs configuration. When the connection is not successful, by default the ingress LER waits 30 seconds before attempting the connection again. the user can configure the amount of time the ingress LER waits between connection attempts.

For example, to specify a retry time of 45 seconds.

# 1 Configuring MPLS

```
Brocade(config-mpls)# policy
Brocade(config-mpls-policy)# retry-time 45
```

Syntax: [no] retry-time *seconds*

## Setting the retry limit

When the ingress LER fails to connect to the egress LER in a signaled LSP, the ingress LER tries indefinitely to make the connection unless the user sets a limit for these connection attempts. After this limit is exceeded, the ingress LER stops trying to connect to the egress LER over the primary path.

When a secondary path is configured for the LSP, it is immediately activated after the primary path fails. After the secondary path is activated, the ingress LER continues to try to connect to the egress LER over the primary path either up to the configured retry limit or indefinitely when no retry limit is set. When a connection over the primary path can be established, the secondary path is deactivated, and traffic for the LSP is again sent over the primary path.

To set the number of connection attempts to 20.

```
Brocade(config-mpls)# policy
Brocade(config-mpls-policy)# retry-limit 20
```

Syntax: [no] retry-limit *number*

Once the connection is established, the retry counter is reset to zero. In the example above, when an LSP needs to be established again, the ingress LER makes 20 attempts to establish a connection to the egress LER.

## Establishing administrative group names

Administrative groups, also known as resource classes or link colors, allows the user to assign MPLS-enabled interfaces to various classes. When a device calculates the path for an LSP, it can take into account the administrative group to which an interface belongs; the user can specify which administrative groups the device can include or exclude when making its calculation.

Up to 32 administrative groups can be configured on the device. The user can see an administrative group either by its name or its number. Before the user can see an administrative group by its name, the user must specify a name for the group at the MPLS policy level and associate the name with that administrative group's number.

For example, the following commands establish three administrative group names.

```
Brocade(config-mpls)# policy
Brocade(config-mpls-policy)# admin-group gold 30
Brocade(config-mpls-policy)# admin-group silver 20
Brocade(config-mpls-policy)# admin-group bronze 10
```

Syntax: [no] admin-group *name / number*

The *number* has a range of 0 – 31.

After the user associates an administrative group name with a number, the user can see it by name when assigning interfaces to the group or including or excluding the group from LSP calculations. Refer to [“Adding interfaces to administrative groups”](#) and [“Including or excluding administrative groups from LSP calculations”](#).

#### Enabling OSPF-TE LSAs for MPLS interfaces

Information related to traffic engineering is carried in OSPF traffic engineering (OSPF-TE) LSAs. OSPF-TE LSAs have special extensions that contain information about an interface’s traffic engineering metric, bandwidth reservations, and administrative group memberships.

When an MPLS-enabled device receives an OSPF-TE LSA, it stores the traffic engineering information in its Traffic Engineering database (TED). The device uses information in the TED when performing calculations to determine a path for an LSP.

The user can configure the device to send out OSPF-TE LSAs for all of its MPLS-enabled interfaces. To do this, enter the following commands.

```
Brocade(config)# router mpls
Brocade(config-mpls)# policy
Brocade(config-mpls-policy)# traffic-engineering ospf
```

Syntax: [no] traffic-engineering ospf [area *area-id*]

The user can use the *area* option to limit the CSPF calculations to the OSPF Area specified by the *area-id* variable. The *area-id* variable can accept *area-id* in both Decimal and IP address formats.

By default, the device does not send out OSPF-TE LSAs for its MPLS-enabled interfaces. Because information in the TED is used to make path selections using CSPF and information in the TED comes from OSPF-TE LSAs or IS-IS TE LSP, the user must enable the device to send out OSPF-TE LSAs or IS-IS LSPs with TE extensions when the user wants CSPF to perform constraint-based path selection.

The [no] option removes an existing OSPF TE database. When the user employs the no option with the *area* option, the OSPF TE database is removed for only the specified OSPF area.

Refer to [“Setting traffic engineering parameters for MPLS interfaces”](#), for information on the traffic engineering information carried in OSPF-TE LSAs.

#### Enabling IS-IS LSPs with TE extensions for MPLS interfaces

Information related to traffic engineering is carried in IS-IS traffic engineering LSPs. IS-IS TE LSPs have special extensions that contain information about an interface’s administrative group memberships, IPv4 interface address, IPv4 neighbor address, maximum link bandwidth, reservable link bandwidth, unreserved bandwidth, and default traffic engineering metrics.

When an MPLS-enabled device receives an IS-IS TE LSP, it stores the traffic engineering information in its Traffic Engineering database (TED). The device uses information in the TED when performing calculations to determine a path for an LSP.

The user can configure the device to send out IS-IS TE LSPs for all of its MPLS-enabled interfaces. To do this, enter the following commands.

# 1 Configuring MPLS

```
Brocade(config)# router mpls
Brocade(config-mpls)# policy
Brocade(config-mpls-policy)# traffic-engineering isis level-1
```

Syntax: [no] traffic-engineering isis level-1 | level-2

The level-1 option enables LSPs with TE extensions for the IS-IS level-1 domain.

The level-2 option enables LSPs with TE extensions for the IS-IS level-2 domain.

By default, the device does not send out IS-IS LSPs with TE extensions for its MPLS-enabled interfaces. Since information in the TED is used to make path selections using CSPF, and information in the TED comes from OSPF-TE LSAs or IS-IS LSPs with TE extensions, the user must enable the device to send out OSPF-TE LSAs or IS-IS LSPs with TE extensions when the user wants CSPF to perform constraint-based path selection.

Refer to [“Setting traffic engineering parameters for MPLS interfaces”](#), for information on the traffic engineering information carried in IS-IS LSPs with TE extensions.

## Configuring CSPF interface constraint

As described in detail in [“Calculating a path based on an interface address”](#), under the default condition, hops configured as interface addresses in an LSP path are resolved to the router ID. Consequently, an LSP can be configured that does not traverse a specified interface. The `cspf-interface-constraint` command was introduced that forces the CSPF calculation to include any specified interface when creating an LSP. The operation and constraints of using this command are described in the section mentioned.

The user can configure a Brocade device to always include a specified interface when forming an LSP by configuring the `cspf-interface-constraint` command as shown in the following.

```
Brocade(config-mpls)# policy
Brocade(config-mpls-policy)# cspf-interface-constraint
```

Syntax: [no] cspf-interface-constraint

The default condition is for the CSPF interface Constraint feature to be disabled. When the feature has been enabled, the user can use the [no] option to disable it.

The CSPF interface Constraint feature may be dynamically turned on or off. Turning the feature off or on has no effect on LSPs that have already been established (primary and secondary). For LSPs that are currently retried, changing the constraint setting changes the behavior on the next retry such as when an LSP whose path is configured to use that interface fails to come up due to an interface down condition.

Also note that the CSPF interface Constraint feature has significance for the ingress node only, where the CSPF calculation takes place for an LSP or a detour segment.

## Configuration changes to route filtering for MPLS and iBGP routes

LDP currently caches all routes known to the Routing Table Manager (RTM) except eBGP routes. The following commands allow the user to control the number of routes cached in LDP, and the type of route that MPLS accepts from the RTM.

- filter-inter-as-routes
- filter-intra-as-ibgp routes

Inter-AS routes originate from other BGP autonomous systems. Intra-AS routes originate from within a BGP AS.

Configuration considerations

---

**NOTE**

Brocade recommends that the user makes route filtering configuration decisions when booting the router for the first time.

---

A system reload is not required when the user changes the filtering configuration. However, when the user enables *inter-as* filtering, RSVP sessions using iBGP routes, and LDP FECs (corresponding to iBGP routes) will flap.

Configuring route filtering for MPLS and iBGP routes

When the user enables inter-as-route filtering, the RTM does not send any inter-AS routes to MPLS. To enable inter-as filtering, enter the following commands in the MPLS policy configuration mode.

```
Brocade(config-mpls)# policy
Brocade(config-mpls-policy)# filter-inter-as-routes
```

Syntax: [no] filter-inter-as-routes

---

**NOTE**

Inter-as filtering is enabled by default. Intra-as filtering is disabled by default.

---

When the user enables *intra-as* filtering, the RTM does not send any iBGP routes to MPLS. *Intra-as* filtering can only be enabled when *inter-as* filtering is enabled. To enable the *intra-as* filtering, enter the following commands.

```
Brocade(config-mpls-policy)# filter-inter-as-routes
Brocade(config-mpls-policy-route-filter)# filter-intra-as-ibgp-routes
```

Syntax: [no] filter-intra-as-ibgp-routes

To disable intra-as filtering, enter the [no] version of this command.

To disable all filtering, including intra-as filtering, enter the following command under the MPLS policy configuration mode.

```
Brocade(config-mpls-policy)# no filter-inter-as-routes
```

# 1 Configuring MPLS

## Displaying MPLS policy parameters

Use the `show mpls policy` command to display the current parameter settings configured under the MPLS policy mode. The following example shows the route filtering configuration in output from the `show mpls policy` command.

```
Brocade# show mpls policy
Current MPLS policy settings:
  CSPF interface constraint: disabled
  MPLS label TTL propagation: disabled, IPVPN packet TTL propagation: disabled
  Inter-AS route filtering: enabled, Intra-AS iBGP route-filtering: disabled
  Polling interval for MPLS LSP traffic statistics: 60 seconds
  Advertise TE parameters via: ISIS level-1
  LSP rapid retry: enabled, maximum number of retries: no limit
  LSP periodic retry time: 30 seconds
  Admin group: none
```

Syntax: `show mpls policy`

## Setting traffic engineering parameters for MPLS interfaces

When using constraints to determine a path for an LSP, the device takes into account information included in OSPF-TE LSAs or IS-IS LSPs with TE extensions. This information can be used to set up a path for a new LSP or to preempt an existing LSP so that an LSP with a higher priority can be established.

OSPF-TE LSAs and IS-IS LSPs with TE extensions include Type/Length/Value triplets (TLVs) containing the following information:

- Link type (either point-to-point or multiaccess network) (OSPF-TE LSAs only)
- Link ID (for point-to-point links, this is the Router ID of the LSR at the other end of the link; for multiaccess links, this is the address of the network's designated router) (OSPF-TE LSAs only)
- IP address of the local interface
- IP address of the remote interface (must exist with point-to-point links)
- Traffic engineering metric for the link
- Maximum bandwidth on the interface
- Maximum reservable bandwidth on the interface
- Unreserved bandwidth on the interface
- Administrative groups to which the interface belongs

When configured to do so with the `traffic-engineering ospf` command, the device sends out OSPF-TE LSAs containing this information for each of its MPLS-enabled interfaces. When configured to do so with the `traffic-engineering isis` command, the device sends out IS-IS LSPs containing this TE information for each of its MPLS-enabled interfaces. Optionally, the user can specify the maximum amount of bandwidth that can be reserved on an interface. In addition, the user can assign interfaces to administrative groups.

### Reserving bandwidth on an interface

OSPF-TE LSAs and IS-IS LSPs with TE extensions contain three TLVs related to bandwidth reservation:



- The Maximum Bandwidth TLV indicates the maximum outbound bandwidth that can be used on the interface. Maximum Bandwidth is the operating speed of the port. When calculated for a LAG, the Maximum Bandwidth is the operating speed of the primary port multiplied by the number of active ports in the LAG. Hence, this reflects the actual physical bandwidth of the interface. This TLV is not configurable by the user.
- The Maximum Reservable Bandwidth TLV indicates the maximum bandwidth that can be reserved on the interface. By default, the Maximum Reservable Bandwidth is the same as the Maximum Bandwidth for the interface. The user can optionally change the reservable bandwidth to an amount greater or less than the maximum available bandwidth of the interface. When a Maximum Reservable Bandwidth is configured on the primary port within a LAG, the value configured applies to the entire LAG regardless of any change to the number of active ports within the LAG. By default, the Maximum Reservable Bandwidth for the LAG is the same as its Maximum Bandwidth.
- The Unreserved Bandwidth TLV indicates the amount of bandwidth not yet reserved on the interface. This TLV consists of eight octets, indicating the amount of unreserved bandwidth (in kbits second) at each of eight priority levels. The octets correspond to the bandwidth that can be reserved with a hold priority of 0 through 7, arranged in increasing order, with priority 0 occurring at the start of the TLV, and priority 7 at the end of the TLV. The value in each of the octets is less than or equal to the maximum reservable bandwidth. The Unreserved Bandwidth TLV itself is not user-configurable, although it is affected by modifications to the reservable bandwidth on an interface, as well as changes to LSPs.

Optionally, the user can change the amount of reservable bandwidth on an MPLS-enabled interface (that is, modify the value in the Maximum Reservable Bandwidth TLV in OSPF-TE LSAs or IS-IS TE LSPs sent out for the interface). The maximum reservable bandwidth on an MPLS-enabled interface can be configured in either of two ways: as an absolute value, or as a percentage of the total interface bandwidth.

---

**NOTE**

The maximum reservable bandwidth on an MPLS-enabled interface is supported on Brocade MLX series, Brocade NetIron XMR, and Brocade NetIron CER and Brocade NetIron CES devices.

---

**Configuration considerations**

The reservable-bandwidth command is configurable on an MPLS-enabled interface at any time. The configuration of the command takes effect immediately upon preemption of the LSP. When LSP preemption occurs, when the reservable bandwidth required for a specific LSP is not supported on the interface, then the LSP immediately goes down. When this occurs, an IGP advertisement of this configuration change is triggered and flooded throughout all ports on the network because the maximum reservable bandwidth configured on the interface is different from the value that was previously configured.

---

**NOTE**

When the maximum reservable bandwidth is configured as a percentage value for LAGs and VE interfaces, and ports go down, or new ports are added to the interface, the reservable bandwidth is recalculated as a percentage of the newly available bandwidth for that interface.

---

To configure the maximum reservable bandwidth as an absolute value for MPLS LSPs on the interface, enter the following commands as displayed in the following example.

```
Brocade(config-mpls)# mpls-interface ethernet 1/1
Brocade(config-mpls-if-e1000-1/1)# reservable-bandwidth 10000
```

# 1 Configuring MPLS

To configure the maximum reservable bandwidth as a percentage of the total interface bandwidth for MPLS LSPs on the interface, enter the following commands as displayed in the following example.

```
Brocade(config-mpls)# mpls-interface ethernet 1/1
Brocade(config-mpls-if-e1000-1/1)# reservable-bandwidth percentage 80
```

Syntax: [no] reservable bandwidth [*decimal* | percentage *decimal*]

The *decimal* variable specifies a value from 0 through 2,000,000,000 in kbits per second.

The percentage *decimal* parameter specifies a value from 0 through 100. The percentage value of 100 specifies that the entire interface bandwidth can be used by MPLS LSPs, when needed.

When maximum reservable bandwidth is changed from an absolute value to a percentage value, and vice versa, the following advisory message is displayed on the console to indicate this configuration change.

```
Brocade(config-mpls-if-e1000-1/1)# reservable-bandwidth percentage 40
Maximum reservable bandwidth is changed from 30 kbps to 40%
```

---

## NOTE

When the maximum reservable bandwidth is configured as either an absolute value, or a percentage value, the value is recalculated and updated to the latest value.

---

To set the maximum reservable bandwidth back to the default value (the total physical bandwidth of the interface) when the absolute value or percentage value is used, enter the no form of the command as displayed in the following example.

```
Brocade(config-mpls-if-e1000-1/1)# no reservable-bandwidth percentage 80
```

By default, the reservable bandwidth is the same as the maximum available bandwidth on the interface. When the amount of reservable bandwidth is greater than the maximum available bandwidth, then the link can be oversubscribed. When the reservable bandwidth is less than the maximum available bandwidth, then LSPs cannot reserve all physical bandwidth on the interface. When the reservable-bandwidth command is applied to the primary port within a LAG, the bandwidth configured for that port applies to the entire LAG, regardless of any change to the number of active ports within the LAG.

Changing the amount of reservable bandwidth on an interface causes the amount of unreserved bandwidth to be recalculated. In addition, it may cause an OSPF-TE LSA or IS-IS TE LSP to be issued, as well as possibly pre-empt existing LSPs when bandwidth reservations can no longer accommodate them.

The output from the show mpls config command and the show mpls interface [ethernet slot/port] command displays the maximum reservable bandwidth configuration. Depending on the interface configuration, the show commands displays the maximum reservable bandwidth as an absolute value, or as a percentage value. When the [no] form of the reservable-bandwidth command is used, the default value of the interface bandwidth is also displayed in both show command

outputs. For more information on the maximum reservable bandwidth configuration as displayed in the output of the `show mpls config` command, refer to [“Displaying MPLS configuration information”](#). For more information on the maximum reservable bandwidth configuration as displayed in the output of the `show mpls interface [ethernet slot/port]` command, refer to [“Displaying information about MPLS-enabled interfaces”](#).

#### Adding interfaces to administrative groups

The user can place individual interfaces into administrative groups. Administrative groups, also known as resource classes or link colors, allows the user to assign MPLS-enabled interfaces to various classes. For example, the user can define a group called “gold” and assign high-bandwidth interfaces to it. When a device calculates the path for an LSP, it can take into account the administrative group to which a interface belongs. The user can configure up to 32 administrative groups. By default, an interface does not belong to any administrative groups.

Administrative groups are in the range 0 – 31. The user can see an administrative group either by name or number. To see an administrative group by name, first create a name for the group and associate the name with an administrative group number. Refer to [“Establishing administrative group names”](#) for details.

To assign MPLS-enabled interface e 3/1 to an administrative group called “gold”, enter the following.

```
Brocade(config-mpls)# mpls-interface e 3/1
Brocade(config-mpls-interface)# admin-group gold
```

Syntax: [no] admin-group [*number* | *name*]

The *number* can be from 0 – 31. The administrative group name *name* must have been previously configured.

An MPLS-enabled interface can belong to any number of administrative groups. For example, to assign an interface to group “gold” and group 31, enter commands such as the following

```
.
Brocade(config-mpls)# mpls-interface e 3/1
Brocade(config-mpls-interface)# admin-group gold 31
```

After the user adds interfaces to administrative groups, the user can specify which groups can be included or excluded from LSP calculations. Refer to [“Including or excluding administrative groups from LSP calculations”](#).

#### IP-over-MPLS TTL propagation control

In the MPLS label header, the TTL field indicates the Time To Live (TTL) value for an MPLS packet. For IP-over-MPLS applications, at the ingress LER an IP packet’s TTL value is decremented by one and the IP checksum is recalculated. The IP packet’s TTL value is then copied to its MPLS TTL field. At each transit LSR hop, the MPLS TTL value is decremented by 1. When the MPLS TTL value reaches 1 or 0, the packet is discarded.

# 1 Configuring MPLS

At the MPLS router that pops the label (either the penultimate LSR or the egress LER), the incoming packet's MPLS TTL value is copied to the packet's IP TTL field, the IP TTL field is decremented by 1, and the checksum is recalculated. The result is that each LSR in the MPLS domain is counted as one hop. This is the default behavior.

Optionally, the user can configure TTL propagation so that the entire MPLS domain appears as a two hops. In this case, the ingress LER decrements the IP packet's TTL value by one and then places a value of 255 in the packet's MPLS TTL field. The MPLS TTL value is decremented by 1 as the MPLS packet passes through each LSR in the MPLS domain. When the label is popped, the value in the MPLS TTL field is discarded, not copied to the packet's IP TTL field. The unlabeled IP packet's TTL is then decremented by one as it passes through the egress LER. This means that the packet's IP TTL is decremented twice from the time it enters the ingress LER to the time it exits the egress LER, making the MPLS domain appear as two hops.

To configure TTL propagation so that the entire MPLS domain appears as two hops, enter the following commands on both the ingress LER and the MPLS router that pops the label (either the penultimate LSR or the egress LER).

```
Brocade(config-mpls)# policy
Brocade(config-mpls-policy)# no propagate-ttl
```

Syntax: [no] propagate-ttl

When no `propagate-ttl` is configured, the ingress LER places a value of 255 into the packet's MPLS TTL field, regardless of the TTL value in the packet's IP header. The packet's IP TTL value is decremented twice: once at the ingress LER and once at the egress LER. With this option, the entire MPLS domain (regardless of the number of transit LSR hops) counts as two hops for the IP TTL value.

---

## NOTE

When the user chooses to configure TTL propagation in this way, it is important that the user enters the `no propagate-ttl` command at *both* the ingress LER and the MPLS router that pops the label. When the user omits the `no propagate-ttl` command at the MPLS router that pops the label, the value in the packet's MPLS TTL field would be copied into the packet's IP TTL field. This value could be as high as 255.

---

## Enabling LSP accounting

The LSP accounting feature provides the ability to count the number of traffic bytes and packets forwarded through a specified LSP. The LSP accounting feature is supported for the following:

- RSVP-signaled LSPs
- LDP signaled LSPs

When the command `vlan-counter exclude-overhead` is configured or removed, the LSP counters in software and hardware are flushed, and accounting starts fresh. In summary:

- Ingress-tunnel accounting without `exclude-ethernet-overhead`:
  - With `vlan-counter exclude-overhead` not configured: the size includes 20-byte Ethernet overhead (IFG+ Preamble) and 4-byte CRC.
  - With `vlan-counter exclude-overhead` configured: excludes 20-byte per-packet Ethernet overhead from byte counting.

- Ingress-tunnel accounting with exclude-ethernet-overhead:
  - The exclude-ethernet-overhead option, lets the user exclude the Ethernet header (14 bytes) and Ethernet overhead (20 bytes) and CRC overhead (4 bytes) when collecting the byte statistics. In other words, it counts only the size of MPLS packet. The exclude-ethernet-overhead option does not work with untagged ports carrying q-in-q packets for IP over MPLS, nor does it count multiple tags in a packet.

---

**NOTE**

This feature is applicable only on LSPs for which the devices are an ingress LER.

---

---

**NOTE**

LSP tunnel statistics are not supported when an ingress LER is a two node LSP (PHP), or when traffic is forwarded to a directly connected Provider Edge Router (PE).

---

## exclude-ethernet-overhead

The exclude-ethernet-overhead option, lets the operator exclude the Ethernet header (14 bytes) and Ethernet overhead (20 bytes) and CRC overhead (four bytes) when collecting the byte statistics. In other words, it counts only the size of MPLS packet. The exclude-ethernet-overhead option does not work with untagged ports carrying q-in-q packets for IP over MPLS, nor does it count multiple tags in a packet. To enforce the clearing of counters when exclude-ethernet-overhead mode is changed, a confirmation message is added to the command and on execution, the command clears the counters.

Syntax	ingress-tunnel-accounting exclude-ethernet-overhead [no] ingress-tunnel-accounting exclude-ethernet-overhead
Command default	None
Parameters	None
Command modes	Sub-configuration MPLS policy mode (config-mpls-policy).
Usage guidelines	<p>The operation of the command based on the operator input can be defined as below:</p> <ul style="list-style-type: none"> <li>• 'y' – configuration change done; counters cleared.</li> <li>• 'n' – configuration change not done; counter not cleared.</li> </ul> <p>The command no ingress-tunnel-accounting exclude-ethernet-overhead disables only the exclude-ethernet-overhead option. To disable ingress-tunnel-accounting itself, enter the command no ingress-tunnel-accounting.</p>

---

**NOTE**

This feature is applicable only on LSPs for which the devices are an ingress LER.

---

### History

Release	Command history
<i>Multi-Service NetIron Release 05.600</i>	The exclude-ethernet-overhead option, lets the operator exclude the Ethernet header and Ethernet overhead and CRC overhead when collecting the byte statistics
<i>Multi-Service NetIron Release 05.500c</i>	To enforce the clearing of counters when exclude-ethernet-overhead mode is changed, a confirmation message is added to the command and on execution, the command clears the counters.

Related commands: None.

To use this feature, the user must specify an LSP accounting CAM sub-partition value by using the following sequence.

```
Brocade(config)# system-max lsp-out-acl-cam 1000
```

Syntax: [no] system-max lsp-out-acl-cam *number*

The *number* variable is the number of CAM entries available for LSP accounting. The default value is 0. The valid range of this value is 0 - 16384.

---

**NOTE**

When the LSP is a trunk port, the LSP accounting feature programs multiple label ACL CAM entries, once for each trunk port on all PPCRs.

---

The load-interval command can be set to a time during which the average byte and packet rates are calculated as shown in the following.

```
Brocade(config-mpls)# policy
Brocade(config-mpls-policy)# load-interval 30
```

Syntax: [no] load-interval *seconds*

The *seconds* variable can be configured in multiples of 30 seconds within the range of 30 to 300 seconds. The default value of load-interval is 300 seconds.

**SNMP agent support for ACL accounting**

The SNMP agent supports the LSP tunnel byte count in MIB ifHCOutOctets, and LSP tunnel packet count in MIB ifHCOutUcastPkts within the ifXTable.

## LSP accounting statistics for single-hop LSP routes

LSP accounting statistics for single-hop LSP routes are collected on Brocade MLX Series and Brocade NetIron XMR series devices. On an ingress LER, the number of packets and traffic bytes forwarded through a single-hop LSP are collected. LSP accounting statistics are also collected for a single-hop RSVP tunnel carrying multiple LDP cross connections. Data traffic and other control protocol traffic that is forwarded by the CPU is not accounted for on single-hop LSP tunnels. LSP accounting for a single-hop LSP is depicted in [Figure 18](#).

---

**NOTE**

The show mpls statistics lsp command displays LSP accounting statistics for single-hop and multi-hop LSP routes. For more information on displaying LSP accounting statistics, refer to [“Displaying LDP accounting statistics”](#).

---

In the case of a LSP switchover from a multi-hop LSP to a single-hop LSP, LSP accounting statistics are accounted for in the following scenarios.

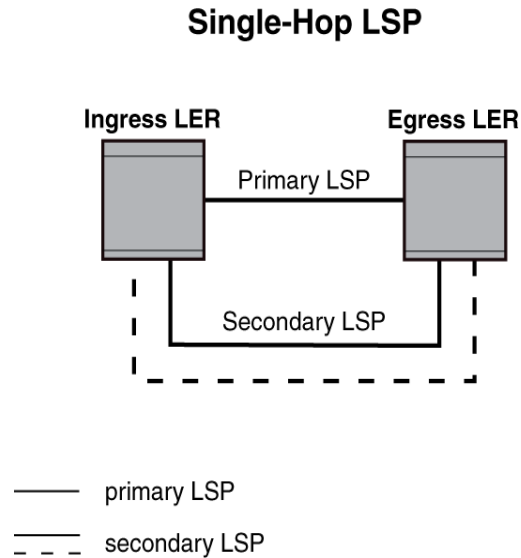
- In the case of an adaptive LSP, a new LSP path is being set up and traffic is re-routed onto the new path from a multi-hop to a single-hop LSP without disabling the existing LSP path.
- For a one-to-one Fast Reroute (FRR) failover from a multi-hop protected LSP to a single-hop detour LSP, the LSP riding on the detour path is accounted for.

# 1 LSP accounting statistics for single-hop LSP routes

- In the case of a switchover from a primary LSP (multi-hop LSP) to a secondary LSP (single-hop LSP), the LSP accounting statistics on the secondary LSP are maintained only when the secondary LSP is a hot-standby. When the secondary LSP in a hot-standby mode is already UP, the LSP does not go down in a switchover, and the LSP accounting statistics from the primary LSP are accounted for on the secondary LSP.

Figure 18 depicts a single-hop LSP where a back-to-back connected link exists between the primary LSP and secondary LSP.

FIGURE 18 Single-hop LSP



In the case of facility bypass LSP failover, statistics for each individual LSPs riding over the bypass LSP tunnel are collected. Figure 19 depicts an MPLS domain for single-hop bypass LSP tunnel where the merge point is not the egress LER. The accounting statistics for the bypass LSP are not collected. However, the statistics for the individual LSPs riding over the single-hop bypass LSP tunnel are collected. For example, when there are two protected LSP routes riding over a single-hop bypass LSP tunnel and the merge point is not the egress LER, the individual statistics for the two protected LSP routes are collected, and can be displayed using the `show mpls statistics lsp` command.

FIGURE 19 Single-hop bypass LSP



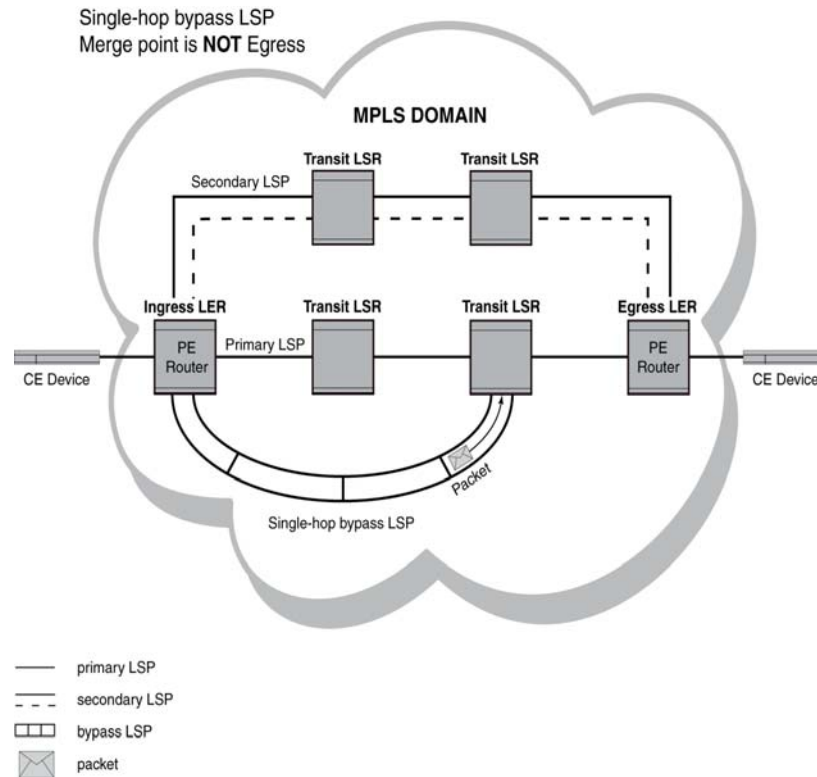
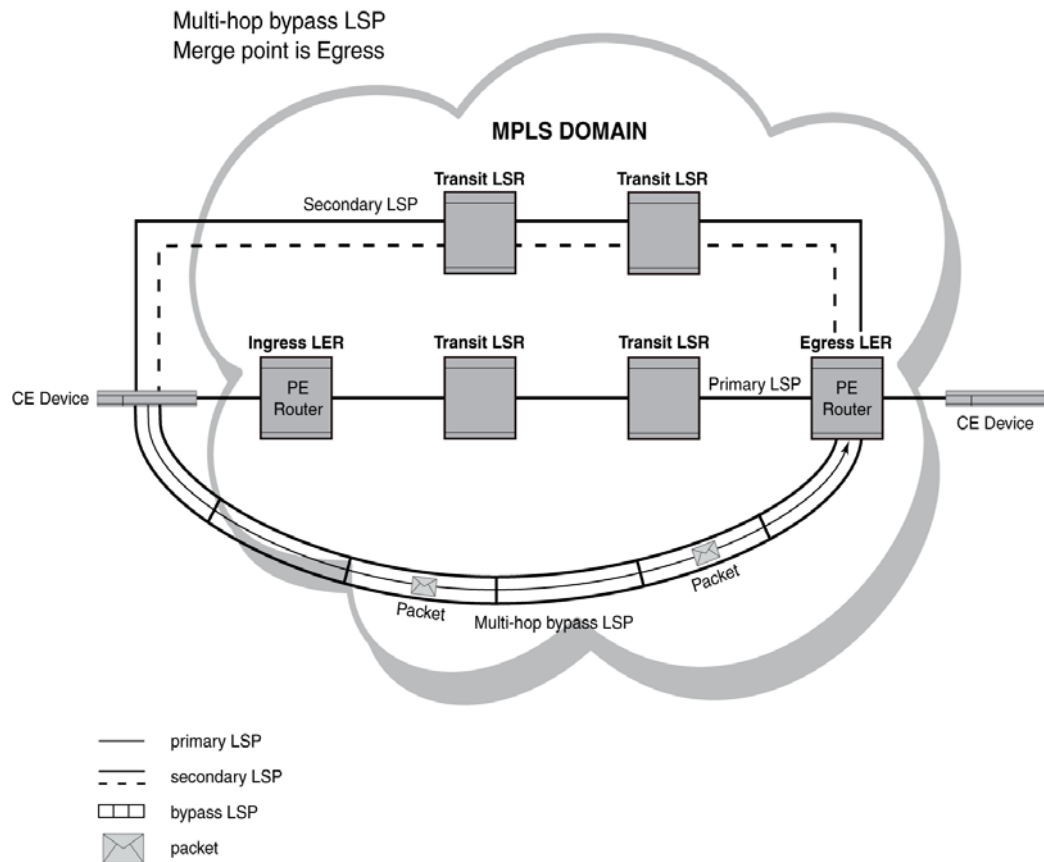


Figure 20 depicts an MPLS domain for a multi-hop bypass LSP tunnel where the merge point is the egress LER. As with the single-hop bypass LSP scenario, the statistics for the individual LSPs riding over the multi-hop bypass LSP tunnel are accounted for. Individual LSP accounting statistics are collected on all LSP routes riding over a single-hop or multi-hop bypass LSP tunnel even when the merge point is the egress LER or not. For example, when there are three protected LSP routes riding over a multi-hop bypass LSP tunnel and the merge point is the egress LER, the individual statistics for all three protected LSP routes are collected.

**FIGURE 20 Multi-hop bypass LSP**

# 1 LSP accounting statistics for single-hop LSP routes



## Global RSVP parameters

RSVP is automatically enabled when MPLS is enabled on the device. The user can optionally configure the following RSVP parameters globally at the Config-MPLS level:

- Refresh interval
- Refresh multiple

The user can also optionally configure interface-specific RSVP behaviors (RSVP authentication, RSVP reliable messaging, and RSVP refresh reduction) at the interface level. Refer to [“RSVP message authentication”](#), [“RSVP reliable messaging”](#), and [“RSVP refresh reduction”](#).

---

### NOTE

The effect of the refresh-interval and refresh-multiple commands can be overridden by RSVP refresh reduction behaviors. Refer to [“RSVP refresh reduction”](#) for details.

---

## Configuring the RSVP refresh interval

To maintain path states and resource reservations on the routers in an LSP, RSVP Path and Resv messages are sent at regular intervals. Path messages flow downstream in an LSP, from the ingress LER towards the egress LER. Resv messages flow upstream, in the reverse direction of Path messages.

The user can control how often the Path and Resv messages are sent by setting the refresh interval. By default, the refresh interval is 30 seconds. The user can set the refresh interval from zero through 2147483 seconds.

use the following commands to set the refresh interval to 20 seconds.

```
Brocade(config-mpls)# rsvp
Brocade(config-mpls-rsvp)# refresh-interval 20
```

Syntax: [no] refresh-interval *seconds*

## Configuring the RSVP refresh multiple

When refresh messages are not received, RSVP path states and resource reservations are removed from the routers in an LSP. By default, the device waits the length of three refresh intervals; when no refresh message is received by the end of that time, the path state or resource reservation is removed.

The refresh multiple is the number of refresh intervals that must elapse without a refresh message before a path state or resource reservation times out. By default, the refresh multiple is three intervals. The user can set the refresh multiple from zero through 65535 intervals.

Use the following commands to set the refresh multiple to five intervals.

```
Brocade(config-mpls)# rsvp
Brocade(config-mpls-rsvp)# refresh-multiple 5
```

Syntax: [no] refresh-multiple *intervals*

# RSVP message authentication

Support was added for RSVP message authentication using MD5 as described in RFC 2747. It is implemented on the Brocade devices to prevent spoofing of RSVP messages. RFC 2747 defines the use of a message digest carried in the RSVP INTEGRITY object. This object carries the following information:

- Key ID: An 8-bit number unique to a given sender
- Sequence Number: A 64-bit monotonically increasing sequence number
- Keyed Message Digest: As implemented here using MD5, it is a 16-bit message digest

In order to support RFC 2747, this implementation supports the following:

- An authentication type using the MD5 cryptographic algorithm
- An authentication key for use with the authentication algorithm
- An authentication window of one (1), which specifies that the maximum number of authenticated messages that can be received out of order is one (1).

## Configuring RSVP message authentication

RSVP message authentication is disabled by default. This authentication method uses MD5 and is configured within the MPLS configuration mode.

# 1 RSVP reliable messaging

```
Brocade(config)# router mpls
Brocade(config-mpls)# mpls-interface ethernet 1/1
Brocade(config-mpls-if-e100-1/1)# rsvp-authentication key administrator
```

Syntax: [no] rsvp-authentication key *string*

The *string* variable specifies a text string of up to 64 characters that is encrypted and used for RSVP message authentication.

By default, the authentication key is encrypted. When the user wants the authentication key to be in clear text, insert a 0 between key and *string*.

### Example

```
Brocade(config-mpls-if-e100-1/1)# rsvp-authentication key 0 administrator
```

The software adds a prefix to the authentication key in the configuration. For example, the following portion of the code has the encrypted code "2".

```
rsvp-authentication 2 key $IUA2Pwc9LW9VIW9zVQ==
```

The prefix can be one of the following:

- 0 = the key string is not encrypted and is in clear text
- 1 = the key string uses proprietary simple cryptographic 2-way algorithm (only for Brocade NetIron CES and Brocade NetIron CER devices)
- 2 = the key string uses proprietary base64 cryptographic 2-way algorithm (only for Brocade NetIron XMR and Brocade MLX series devices)

## RSVP reliable messaging

The standard RSVP periodically resends Resv and Path refresh messages to maintain the state of the path, but many trigger messages signaling a new or changed state (such as PathTear and ResvTear messages) are sent only once. The loss of such a message can cause delays in the reservation or release of resources.

RFC 2961 provides extensions to the RSVP to make the transmission of RSVP trigger messages more reliable by creating an ID for each new RSVP message and allowing the sender to request an acknowledgement of the receipt of trigger messages.

### Configuring RSVP reliable messaging

When RSVP reliable messaging is enabled on an interface of the Brocade device, RSVP trigger messages sent out on that interface includes a message ID and a request for acknowledgement from the RSVP neighbor. When acknowledgement is not received, the trigger message is retransmitted using the retransmission parameters configured on the interface.

---

#### NOTE

RSVP refresh messages never require acknowledgement, even when reliable messaging is enabled.

---

To enable RSVP reliable messaging on an interface, use commands such as the following.

```
Brocade(config)# router mpls
Brocade(config-mpls)# mpls-interface ethernet 3/13
```

```
Brocade(config-mpls-if-e1000-3/13)# rsvp-reliable-messaging
```

The previous commands enable RSVP reliable messaging on interface 3/13 with all parameters set to their defaults (or to settings previously configured on this interface, if any).

Syntax: [no] rsvp-reliable-messaging [rapid-retrans-interval *milliseconds*] [rapid-retry-limit *number*][rapid-retrans-decay *percentage*]

The rapid-retrans-interval option allows the user to specify the interval in milliseconds that the device waits before a message is first resent when no acknowledgement is received. The range is from 100 through 30000 milliseconds, and the default is 500.

The rapid-retry-limit option allows the user to specify the maximum number of times a message is to be resent when no acknowledgement is received. The range is from one through 16, and the default is two (2). When set to the default value, a message is sent a total of three times when no acknowledgement is received.

The rapid-retrans-decay option allows the user to specify the percentage increase in the interval between successive retransmissions of an unacknowledged RSVP message. The range is from zero through 100 percent, and the default value is 100 percent. A value of zero percent provides a constant retransmission rate with each interval being equal to the rapid-retrans-interval value. A value of 100 percent doubles the retransmission interval after each retry.

## RSVP refresh reduction

RSVP control traffic (Path and Resv messages) is initially propagated to establish an RSVP session and reserve resources along the path, or to signal a change of state (*trigger messages*). However, because it is a soft-state protocol, RSVP also requires periodic refreshing to prevent reserved resources from aging out. The original RSVP as defined in RFC 2205 achieves this by resending identical Path and Resv messages (*refresh messages*) at regular intervals along the reserved path as long as the RSVP session remains unchanged. The bandwidth and processing time required to support these refresh messages increases linearly as more RSVP sessions are established, which can result in scaling problems.

RFC 2961 establishes extensions to RSVP which can help reduce the overhead caused by refresh messages: *bundle messages*, which allows multiple RSVP messages to be aggregated into a single PDU, and *summary refresh messages*, which replace identical RSVP message retransmissions with a list of the IDs of all Path and Resv states to be refreshed. Both extensions are available at the interface configuration level on the Brocade NetIron XMR, Brocade MLX series, Brocade NetIron CER and Brocade NetIron CES platforms, and each extension can be configured separately.

When the user enables either of the refresh reduction extensions on an interface, outgoing RSVP packets sent on that interface sets the refresh reduction capability bit in the common RSVP header to indicate that the Brocade device is capable of receiving and processing refresh reduction messages and related objects.

### Configuring RSVP bundle messages

When RSVP bundle messages are enabled on an interface, the device attempts to combine multiple outgoing RSVP messages on that interface into bundles to reduce overhead.

# 1 RSVP refresh reduction

RSVP bundle messages are disabled by default for all interfaces. To enable bundle messages on an interface, use commands such as the following.

```
Brocade(config)# router mpls
Brocade(config-mpls)# mpls-interface eth 3/13
Brocade(config-mpls-if-e1000-3/13)# rsvp-refresh-reduction bundle-message
bundle-send-delay 20
```

The previous commands enable RSVP bundle messages on interface 3/13 with a bundle-send-delay of 20 milliseconds.

Syntax: [no] rsvp-refresh-reduction bundle-message [bundle-send-delay *milliseconds*]

The bundle-send-delay option specifies the maximum period (in milliseconds) that an outgoing message can be delayed in order to create a multi-message bundle before sending. This delay is retained for the interface even when bundle messages are disabled.

When the RSVP neighbor does not support refresh reduction, the interface does not bundle messages even when bundle messages are locally enabled. Use the [no ] version of the command to disable RSVP bundle messages on this interface.

---

## NOTE

Summary refresh is a more effective tool for RSVP refresh message overhead reduction.

---

## Configuring RSVP summary refresh

RFC 2961 extends RSVP to create IDs for RSVP messages. When RSVP summary refresh is enabled on an interface, the device suppresses the sending of unchanged Path and Resv messages (refresh messages) and instead sends a summary message listing the IDs of Path and Resv messages that are to be refreshed. Summary refresh does not affect the sending of RSVP trigger messages that signal changes of state.

RSVP summary refresh is disabled by default for all interfaces. To enable summary refresh on an interface, use commands such as the following.

```
Brocade(config)# router mpls
Brocade(config-mpls)# mpls-interface eth 3/13
Brocade(config-mpls-if-e1000-3/13)# rsvp-refresh-reduction summary-refresh
```

The previous commands enable the sending of RSVP summary refresh messages on interface 3/13.

Syntax: [no] rsvp-refresh-reduction summary-refresh

When the RSVP neighbor does not support refresh reduction, the interface does not send summary refresh messages, even though the feature is locally enabled. It instead continues to resend full Path and Resv refresh messages. Use the [no] version of the command to manually disable summary refresh on this interface.

## Enabling both RSVP refresh reduction extensions in a single step

Bundle messages and summary refresh are disabled by default for all interfaces. The user can enable both extensions with default parameters on an interface by using commands such as the following.

```
Brocade(config)# router mpls
Brocade(config-mpls)# mpls-interface eth 3/13
Brocade(config-mpls-if-e1000-3/13)# rsvp-refresh-reduction all
```

The previous commands enable bundle messages and summary refresh on interface 3/13 with the default bundle-send-delay setting of 40 milliseconds (or the previously configured value, when one has been set for this interface) and the refresh interval set for RSVP at the global level.

Syntax: rsvp-refresh-reduction all

When the RSVP neighbor does not support refresh reduction, the interface does not send bundled messages or summary refresh messages, even though the extensions are enabled. Use the [no] version of the command to manually disable both extensions on this interface.

## Displaying refresh reduction information for an interface

The user can display RSVP refresh reduction settings for an interface by using the following command at any level of the CLI.

```
Brocade# show mpls rsvp interface
```

For detailed information about this command and what it displays, refer to [“Displaying the status of RSVP interfaces”](#).

# RSVP IGP synchronization

The RSVP IGP synchronization feature enables RSVP to react to an IGP neighbor down event. This feature can help improve the convergence time of RSVP and reduce the latency in removing the resource reservations, thereby improving the overall network efficiency.

When an IGP protocol declares a neighbor down, because hello packets are no longer being received, RSVP brings down all the associated LSPs and sessions that are passing through the down neighbor. However, the IGP protocols and RSVP still act independently when bringing a neighbor up.

RSVP sessions are maintained until either the router stops receiving IGP hello packets or the RSVP Path and Resv messages time out or RSVP states are explicitly torn down by the ingress or egress. Configuring a short time for the IS-IS or OSPF hello timers allows these protocols to detect node failures quickly. Also, configuring BFD for IGP interface provides sub-second neighbor down detection time. When quick discovery of a failed neighbor is needed, short IGP (OSPF or IS-IS) hello timers could be configured, or BFD could be enabled on IGP interfaces.

## Limitations

The RSVP IGP synchronization feature allows RSVP to react to an IGP neighbor down event. It does not allow RSVP to detect that a neighbor node has gone down. For example, when a pair of RSVP/IGP routers are connected with parallel links, detecting one neighbor down does not actually mean that the entire neighbor node has gone down.

## Globally enabling RSVP IGP synchronization

This command globally enables the handling of an IGP neighbor down event by MPLS. This command can be executed on the fly and takes effect immediately. It is possible to enable handling of neighbor down events for IS-IS.

### Configuration example

By default, RSVP does not handle IGP neighbor down events. RSVP IGP synchronization must be enabled to handle an IGP neighbor down event.

To configure RSVP IGP synchronization feature, the following commands need to be executed. The following command enables RSVP to handle IGP neighbor down events for IS-IS.

Note that commands to configure basic MPLS are not included below.

```
Brocade_Dut-2-XMR23# conf t
Brocade_Dut-2-XMR23(config)# router mpls
Brocade_Dut-2-XMR23(config-mpls)# policy
Brocade_Dut-2-XMR23(config-mpls-policy)# handle-isis-neighbor-down
```

Syntax: [no] [handle-isis-neighbor-down | handle-ospf-neighbor-down]

### Limitations

1. This feature is independent of MPLS traffic engineering configurations. Irrespective of MPLS traffic engineering configuration (OSPF or IS-IS), this feature allows MPLS (RSVP) to handle IGP neighbor down events and take action, such as tearing down the associated RSVP sessions. For example, when IS-IS is configured as MPLS TE protocol, the user can still configure MPLS to handle an OSPF neighbor down event (and vice versa).
2. An IGP neighbor down event is handled only by the RSVP sub-component of MPLS by tearing down the associated sessions. This event is not handled by LDP sub-component of MPLS.
3. MPLS/RSVP does not keep track of the current state of IGP neighbor. That is, when an IGP neighbor goes down, RSVP tears down all the associated sessions. But RSVP does not prevent bringing up any session while the IGP neighbor to RSVP next-hop is down (or not yet available). That is, the RSVP session is brought up even when the IGP neighbor to the next-hop does not exist.
4. An IGP neighbor down is treated as upstream neighbor down or downstream neighbor down event by RSVP, depending upon the direction of the LSP. When a downstream IGP neighbor goes down, it results in an LSP teardown or FRR switchover, whichever is applicable.
5. MPLS receives and processes an IGP neighbor down event only for the cases when an IGP neighbor goes down because of hellos not received from the peer.



6. When an IGP neighbor goes down because of an underlying interface down, MPLS does not react to an IGP neighbor down event as RSVP would also receive the interface down event and tears down associated LSPs/sessions. Handling an IGP neighbor down event is redundant in such situations.
7. When BFD is configured on IGP interfaces, an IGP neighbor down is detected quickly and may help RSVP converge faster.
8. Bypass LSPs are treated exactly the same way as regular LSPs. Upon an IGP neighbor down, associated bypass LSPs is torn down.
9. When an IGP neighbor is Nonstop Routing or Graceful Restart (NSR/GR) capable, MPLS does not receive a neighbor down event when NSR is performed on the peer IGP router.
10. Faster FRR feature is not be triggered when MPLS detects that IGP neighbor is down. Instead, each FRR LSP is processed individually to perform local repair.
11. It is highly recommended to observe extreme caution when implementing this feature when BFD is enabled for the underlying IGP. Under some circumstances, unnecessary flapping for RSVP sessions/LSPs can occur with this combination.

## Show command output

The show mpls config and show mpls policy commands displays the configuration used to enable an IGP neighbor down event handling.

### Show mpls config

```
Brocade(config-mpls-policy)# show mpls config
router mpls
  policy
    admin-group blue 1
    admin-group yellow 2
    admin-group red 6
    admin-group green 8
    traffic-eng isis level-2
    handle-isis-neighbor-down
    handle-ospf-neighbor-down
    no rapid-retry
```

### Show mpls policy

```
Brocade(config-mpls-policy)# show mpls policy
Current MPLS policy settings:
  CSPF interface constraint: enabled
  CSPF computation-mode: disabled
  TTL propagation for MPLS label: disabled, IPVPN: disabled, IP over MPLS: enabled
  Inter-AS route filtering: enabled, Intra-AS iBGP route filtering: disabled
  Ingress tunnel accounting: enabled
  Polling interval for MPLS LSP traffic statistics: 300 seconds
  Advertise TE parameters via: ISIS level-2
  Handle neighbor down event - ISIS: Yes OSPF: No
  LSP rapid retry: disabled, maximum number of retries: no limit
  LSP periodic retry time: 30 seconds
  FRR backup/detour retry time: 30 seconds
  Admin group:
    blue, group number: 1
    yellow, group number: 2
```

# 1 RSVP IGP synchronization for Remote Links

```
red, group number: 6  
green, group number: 8
```

## RSVP IGP synchronization for Remote Links

The RSVP IGP Sync- Phase II feature enables an LSP ingress router to react to neighbor down events from any location in the network. Any non-FRR or Bypass LSP can be rerouted when the router receives an IGP link or neighbor down event.

MPLS will build an IGP Sync database which is independent of the MPLS TE database. The IGP Sync data base links are keyed based on IPv4 address pair (Link IP, Router-Id of Links remote end). The link will be added or updated in the database whenever an LSP Path comes UP. The IGP Link gets deleted or updated whenever an LSP path goes DOWN or an IGP link down event gets generated. The IGP Link database links are associated with individual LSP instances, such that whenever an IGP link down event reaches MPLS, MPLS can correlate it to individual LSP paths.

An IGP Sync-phase II Link down event can lead to any one of the below actions:

- bring down an LSP and retry it (setup on new path avoiding failed link) OR
- bring down an LSP and switch to any other instance (secondary path) which is already up OR
- create a new instance of the LSP first and then switch to the new instance.

### Limitations and pre-requisites

- This feature will not be usable when Traffic engineering is not enabled in any of the routers used by the LSP.
- No additional or separate configurations are required to enable or disable Phase-I or Phase-II separately.
- For full functionality of this feature, it is recommended that:
  - All routers used by all the non-FRR and Bypass LSPs must be Traffic Engineering enabled
  - All Transit routers shall support RRO

### Enhanced show commands

The following CLI show commands related to IGP Sync are introduced by this feature.

- show mpls rsvp igp-sync
- show mpls rsvp igp-sync link
- show mpls rsvp igp-sync link detail
- show mpls rsvp igp-sync lsp
- show mpls rsvp igp-sync lsp detail
- show mpls rsvp igp-sync lsp *lsp-name*

IGP Sync LSP and Link details will be shown only when MPLS and MPLS IGP (OSPF and/or ISIS) Sync are enabled.

### Show mpls rsvp igp-sync

```
Brocade# show mpls rsvp igp-sync  
Rsvp IGP Sync summary
```

```

RSVP-OSPF Sync: Disabled
RSVP-ISIS Sync: Enabled
Show mpls rsvp igp-sync link
Brocade# show mpls rsvp igp-sync link
Link Address      Remote Router      LSP Count
12.1.1.1          11.11.11.11       1
12.1.1.2          11.11.11.11       4
12.2.2.2          11.11.11.11       3
14.1.1.4          11.11.11.11       2
23.1.1.3          22.22.22.22       2
24.1.1.4          22.22.22.22       4
34.1.1.4          33.33.33.33       2

```

### Show mpls rsvp igp-sync link detail

```

Brocade# show mpls rsvp igp-sync link detail
Link Address: 12.1.1.1
Neighbor router Id: 22.22.22.22
LSP paths using this IGP link: 1
LSP List:
  lsp01-1:path_4_to_1,
Link Address: 12.1.1.2
Neighbor router Id: 11.11.11.11
LSP paths using this IGP link: 4
LSP List:
  lsp04-1:path_1_to_4,  lsp04-63:path_1_to_4_6,  lsp04-63:path_1_to_4_6
  lsp04-28:path_1_to_4_strict,
Link Address: 12.2.2.2
Neighbor router Id: 11.11.11.11
LSP paths using this IGP link: 3
LSP List:
  dbyp-12.1.1.1-1:,  lsp04-28:sec_path_1_to_4_1,  lsp04-29:sec_path_1_to_4_1
Link Address: 14.1.1.4
Neighbor router Id: 11.11.11.11
LSP paths using this IGP link: 2
LSP List:
  lsp04-29:,  lsp04-11:,
Link Address: 23.1.1.3
Neighbor router Id: 22.22.22.22
LSP paths using this IGP link: 2
LSP List:
  lsp04-1:path_1_to_4,  lsp04-28:path_1_to_4_strict,
Link Address: 24.1.1.4
Neighbor router Id: 22.22.22.22
LSP paths using this IGP link: 4
LSP List:
  lsp04-63:path_1_to_4_6,  lsp04-63:path_1_to_4_6,  lsp04-28:sec_path_1_to_4_1
  lsp04-29:sec_path_1_to_4_1,
Link Address: 34.1.1.4
Neighbor router Id: 33.33.33.33
LSP paths using this IGP link: 2
LSP List:
  lsp04-1:path_1_to_4,  lsp04-28:path_1_to_4_strict,

```

### Show mpls rsvp igp-sync link link-ip | neighbor routerId

```

Brocade# show mpls rsvp igp-sync link 34.1.1.4 33.33.33.33
Link Address: 34.1.1.4
Neighbor router Id: 33.33.33.33

```

# 1 RSVP IGP synchronization for Remote Links

```
LSP paths using this IGP link: 3
LSP List:
  lsp04-29:sec_path_1_to_4_2,  lsp04-28:path_1_to_4_strict,
lsp04-28:sec_path_1_to_4_2
```

## Show mpls rsvp igp-sync lsp

```
Brocade# show mpls rsvp igp-sync lsp
LSP Name      Path Name      CSPF      RRO      FRR      IGP Link count
dbyp-12.1.1.1-1  path_1_to_4    enabled   enabled   disabled  1
lsp04-1       path_1_to_4    enabled   enabled   enabled   4
lsp04-11      path_1_to_4    enabled   enabled   disabled  1
lsp04-28      path_1_to_4_str enabled   enabled   disabled  3
lsp04-28      sec_path_1_to_4 enabled   enabled   disabled  2
lsp04-29      path_1_to_4    enabled   enabled   disabled  1
lsp04-29      sec_path_1_to_4 enabled   enabled   disabled  2
lsp04-63      path_1_to_4_6  enabled   enabled   disabled  2
lsp04-63      path_1_to_4_6  enabled   enabled   disabled  2
lsp04-71      path_1_to_4_str enabled   disabled  disabled  3
lsp04-72      path_1_to_4_str disabled   enabled   disabled  3
lsp04-73      path_1_to_4_str disabled   disabled  disabled  0
```

## show mpls rsvp igp-sync lsp lsp-name

```
Brocade# show mpls rsvp igp-sync lsp lsp04-28
LSP: lsp04-28, Path: path_1_to_4_strict
  CSPF: enabled, Record Route: enabled, Frr: disabled
  CSPF hops: 3, Record route hops: 3
  RSVP IGP Sync Links:
    11.11.11.11->12.1.1.2,  22.22.22.22->23.1.1.3
    33.33.33.33->34.1.1.4,
  RRO hops: 3 hops
    12.1.1.2,  23.1.1.3,  34.1.1.4,
  CSPF hops: 3 hops
    12.1.1.2,  23.1.1.3,  34.1.1.4,
LSP: lsp04-28, Path: sec_path_1_to_4_2
  CSPF: enabled, Record Route: enabled, Frr: disabled
  CSPF hops: 2, Record route hops: 2
  RSVP IGP Sync Links:
    11.11.11.11->13.1.1.3,  33.33.33.33->34.1.1.4
  RRO hops: 2 hops
    13.1.1.3,  34.1.1.4,
  CSPF hops: 2 hops
    13.1.1.3,  34.1.1.4,
Show mpls rsvp igp-sync lsp detail
Brocade# show mpls rsvp igp-sync lsp detail
LSP: dbyp-12.1.1.1-1, Path:
  CSPF: enabled, Record Route: enabled, Frr: disabled
  CSPF hops: 1, Record route hops: 1
  RSVP IGP Sync Links:
    11.11.11.11->13.1.1.3,
  RRO hops: 1 hops
    13.1.1.3,
  CSPF hops: 1 hops
    13.1.1.3,
LSP: lsp04-1, Path: path_1_to_4
  CSPF: enabled, Record Route: enabled, Frr: enabled
  CSPF hops: 3, Record route hops: 4
```

```
RSVP IGP Sync Links:
  11.11.11.11->12.1.1.2, 22.22.22.22->23.1.1.3
  33.33.33.33->34.1.1.4
RRO hops: 4 hops
  12.1.1.1, 12.1.1.2, 23.1.1.3, 34.1.1.4
CSPF hops: 3 hops
  12.1.1.2, 23.1.1.3, 34.1.1.4,
LSP: lsp04-11, Path:
CSPF: enabled, Record Route: enabled, Frr: disabled
CSPF hops: 1, Record route hops: 1
RSVP IGP Sync Links:
  11.11.11.11->14.1.1.4,
RRO hops: 1 hops
  14.1.1.4,
CSPF hops: 1 hops
  14.1.1.4,
LSP: lsp04-28, Path: path_1_to_4_strict
CSPF: enabled, Record Route: enabled, Frr: disabled
CSPF hops: 3, Record route hops: 3
RSVP IGP Sync Links:
  11.11.11.11->12.1.1.2, 22.22.22.22->23.1.1.3
  33.33.33.33->34.1.1.4,
RRO hops: 3 hops
  12.1.1.2, 23.1.1.3, 34.1.1.4,
CSPF hops: 3 hops
  12.1.1.2, 23.1.1.3, 34.1.1.4,
LSP: lsp04-28, Path: sec_path_1_to_4_2
CSPF: enabled, Record Route: enabled, Frr: disabled
CSPF hops: 2, Record route hops: 2
RSVP IGP Sync Links:
  11.11.11.11->13.1.1.3, 33.33.33.33->34.1.1.4
RRO hops: 2 hops
  13.1.1.3, 34.1.1.4,
CSPF hops: 2 hops
  13.1.1.3, 34.1.1.4,
LSP: lsp04-29, Path:
CSPF: enabled, Record Route: enabled, Frr: disabled
CSPF hops: 1, Record route hops: 1
RSVP IGP Sync Links:
  11.11.11.11->14.1.1.4,
RRO hops: 1 hops
  14.1.1.4,
CSPF hops: 1 hops
  14.1.1.4,
LSP: lsp04-29, Path: sec_path_1_to_4_2
CSPF: enabled, Record Route: enabled, Frr: disabled
CSPF hops: 2, Record route hops: 2
RSVP IGP Sync Links:
  11.11.11.11->13.1.1.3, 33.33.33.33->34.1.1.4
RRO hops: 2 hops
  13.1.1.3, 34.1.1.4,
CSPF hops: 2 hops
  13.1.1.3, 34.1.1.4,
LSP: lsp04-63, Path: path_1_to_4_6
CSPF: enabled, Record Route: enabled, Frr: disabled
CSPF hops: 2, Record route hops: 2
RSVP IGP Sync Links:
  11.11.11.11->12.1.1.2, 22.22.22.22->24.1.1.4
RRO hops: 2 hops
  12.1.1.2, 24.1.1.4,
```

# 1 RSVP IGP synchronization for Remote Links

```
CSPF hops: 2 hops
 12.1.1.2, 24.1.1.4,
LSP: lsp04-63, Path: path_1_to_4_6
CSPF: enabled, Record Route: enabled, Frr: disabled
CSPF hops: 2, Record route hops: 2
RSVP IGP Sync Links:
 11.11.11.11->12.2.2.2, 22.22.22.22->24.1.1.4
RRO hops: 2 hops
 12.2.2.2, 24.1.1.4,
CSPF hops: 2 hops
 12.2.2.2, 24.1.1.4,
LSP: lsp04-71, Path: path_1_to_4_strict
CSPF: enabled, Record Route: disabled, Frr: disabled
CSPF hops: 3, Record route hops: 0
RSVP IGP Sync Links:
 11.11.11.11->12.1.1.2, 22.22.22.22->23.1.1.3
 33.33.33.33->34.1.1.4,
RRO hops: None
CSPF hops: 3 hops
 12.1.1.2, 23.1.1.3, 34.1.1.4,
LSP: lsp04-72, Path: path_1_to_4_strict
CSPF: disabled, Record Route: enabled, Frr: disabled
CSPF hops: 0, Record route hops: 3
RSVP IGP Sync Links:
 11.11.11.11->12.1.1.2, 22.22.22.22->23.1.1.3
 33.33.33.33->34.1.1.4,
RRO hops: 3 hops
 12.1.1.2, 23.1.1.3, 34.1.1.4,
CSPF hops: None
LSP: lsp04-73, Path: path_1_to_4_strict
CSPF: disabled, Record Route: disabled, Frr: disabled
CSPF hops: 0, Record route hops: 0
RSVP IGP Sync Links: None
RRO hops: None
CSPF hops: None
```

## Show mpls lsp

The show mpls lsp extended command output LSP history has been enhanced with IGP sync related history logs, as shown below.

```
Brocade# show mpls lsp ext
LSP lsp04-63, to 44.44.44.44
  From: 11.11.11.11, admin: UP, status: UP, tunnel interface(primary path): tn10
  Times primary LSP goes up since enabled: 1
  Metric: 0, Adaptive
  Maximum retries: NONE, no. of retries: 0
  Pri. path: path_1_to_4_6, up: yes, active: yes
  Setup priority: 7, hold priority: 0
  Max rate: 0 kbps, mean rate: 0 kbps, max burst: 0 bytes
  Constraint-based routing enabled: yes
  Path calculated using constraint-based routing: yes
  Path calculated using interface constraint: no
  Path cost: 20
  ReoptimizeTimer configured 800
  ReoptimizeTimer next expiration in 207 seconds
  Tie breaking: random, hop limit: 0
```

```

LDP tunneling enabled: no
Soft preemption enabled: no
Sec. path: path_1_to_4_5, active: no
  Hot-standby: yes, status: down, adaptive
  Setup priority: 7, hold priority: 0
  Max rate: 0 kbps, mean rate: 0 kbps, max burst: 0 bytes
  Constraint-based routing enabled: yes
  hop limit: 0
  Soft preemption enabled: no
Sec. path: path_1_to_4_6, active: no
  Hot-standby: yes, status: up   Outbound interface: e4/8
  Tunnel index: 25, Tunnel instance: 1 outbound label: 1026
  Path calculated using constraint-based routing: yes
  Path calculated using interface constraint: no
  Path cspf-group computation-mode: disabled, cost: 20, adaptive
  Setup priority: 7, hold priority: 0
  Max rate: 0 kbps, mean rate: 0 kbps, max burst: 0 bytes
  Constraint-based routing enabled: yes
  hop limit: 0
  Soft preemption enabled: no
Active Path attributes:
  Tunnel interface: tnl0, outbound interface: e4/8
  Tunnel index: 22, Tunnel instance: 2 outbound label: 1025
  Explicit path hop count: 2
    22.22.22.22 (L) -> 44.44.44.44 (L)
Recorded routes:
  Protection codes/Rtr Id flag: P: Local  N: Node  B: Bandwidth  I: InUse R:
RtrId
  12.2.2.2 -> 24.1.1.4
History
  6 Jul 12 11:25:11 : CSPF-Computation successful for Secondary path
path_1_to_4_6. Route: ->12.2.2.2->24.1.1.4
  7 Jul 12 11:25:11 : Secondary path path_1_to_4_6. RRO received:
    -> 12.2.2.2 -> 24.1.1.4
  8 Jul 12 11:25:11 : Secondary path path_1_to_4_6 setup successful . Instance
id 1
  9 Jul 12 11:25:39 : IGP link 24.1.1.4 to neighbor 22.22.22.22 along Primary
path path_1_to_4_6 is down.
  10 Jul 12 11:25:39 : IGP link 24.1.1.4 to neighbor 22.22.22.22 along Secondary
path path_1_to_4_6 is down.
  11 Jul 12 11:25:39 : Secondary path path_1_to_4_6 torn down. Instance id 1.
  12 Jul 12 11:25:39 : IGP Sync Primary path new instance created.
  13 Jul 12 11:25:39 : CSPF-Computation failed for Primary path path_1_to_4_6.
Error 5:Loop detected in path
  14 Jul 12 11:25:39 : Tunnel deleted
  15 Jul 12 11:25:39 : Primary path path_1_to_4_6 torn down. Instance id 1.
  16 Jul 12 11:25:39 : LSP tunnel is DOWN
  17 Jul 12 11:25:39 : CSPF-Computation failed for Primary path path_1_to_4_6.
Error 5:Loop detected in path
  18 Jul 12 11:25:39 : CSPF-Computation successful for Primary path
path_1_to_4_6. Route: ->12.1.1.2->23.1.1.3->34.1.1.4
  19 Jul 12 11:25:39 : Primary path path_1_to_4_6. RRO received:
    -> 12.1.1.2 -> 23.1.1.3 -> 34.1.1.4
  20 Jul 12 11:25:39 : Primary path path_1_to_4_6 setup successful . Instance id
1
  21 Jul 12 11:25:39 : LSP tunnel is UP with Primary path path_1_to_4_6 as Active
  22 Jul 12 11:25:39 : Tunnel added or updated, out-interface: e4/3, out-label
1024
  23 Jul 12 11:25:41 : CSPF-Computation successful for Secondary path
path_1_to_4_5. Route: ->13.1.1.3->34.1.1.4

```

# 1 RSVP IGP synchronization for Remote Links

```
24 Jul 12 11:25:41 : Secondary path path_1_to_4_5. RRO received:
                    -> 13.1.1.3 -> 34.1.1.4
25 Jul 12 11:25:41 : Secondary path path_1_to_4_5 setup successful . Instance
id 1
26 Jul 12 11:27:03 : IGP link 34.1.1.4 to neighbor 33.33.33.33 along Primary
path path_1_to_4_6 is down.
27 Jul 12 11:27:03 : IGP link 34.1.1.4 to neighbor 33.33.33.33 along Secondary
path path_1_to_4_5 is down.
28 Jul 12 11:27:03 : Secondary path path_1_to_4_5 torn down. Instance id 1.
29 Jul 12 11:27:03 : IGP Sync Primary path new instance created.
30 Jul 12 11:27:03 : CSPF-Computation successful for Primary path
path_1_to_4_6. Route: ->12.2.2.2->24.1.1.4
31 Jul 12 11:27:03 : CSPF-Computation successful for Secondary path
path_1_to_4_6. Route: ->12.2.2.2->24.1.1.4
32 Jul 12 11:27:03 : Primary path path_1_to_4_6. RRO received:
                    -> 12.2.2.2 -> 24.1.1.4
33 Jul 12 11:27:03 : Primary path path_1_to_4_6 setup successful for New
instance of Path. Instance id 2
34 Jul 12 11:27:03 : Tunnel added or updated, out-interface: e4/8, out-label
1025
35 Jul 12 11:27:03 : New instance of Primary path path_1_to_4_6 is Active
36 Jul 12 11:27:03 : Secondary path path_1_to_4_6. RRO received:
                    -> 12.2.2.2 -> 24.1.1.4
37 Jul 12 11:27:03 : Secondary path path_1_to_4_6 setup successful . Instance
id 1
```

## Configuring MPLS on a VE interface

To enable MPLS on a VE interface, first create a VE interface and configure an IP address for the VE as shown in the example below.

```
Brocade(config)# vlan 100
Brocade(config-vlan-100)# tagged ethernet 2/1
Brocade(config-vlan-100)# router-interface ve 100
Brocade(config-vlan-100)# exit
Brocade(config)# interface ve 100
Brocade(config-vif-100)# ip address 10.10.10.1/24
Brocade(config-vif-100)# exit
```

Then enable MPLS on the VE interface as shown in the example below.

```
Brocade(config)# router mpls
Brocade(config-mpls)# mpls-interface ve 100
Brocade(config-mpls-if-ve-100)#
```

Syntax: [no] mpls-interface [ve ve-id]

The mpls-interface ve parameter allows the user to enable MPLS on a VE interface. The ve-id variable allows the user to specify a VE interface ID. The no mpls-interface ve command removes all configuration for MPLS on a VE enabled interface.

The following MPLS commands are available on a VE interface under the mpls interface configuration mode.



- [admin-group](#) - “Adding an MPLS VE interface to an administrative group”
- [ldp-enable](#) - “Configuring LDP on an MPLS VE interface”
- [ldp-params](#) - “Setting the LDP hello interval on an MPLS VE interface (link Only)”
- [hello-interval](#) - “Setting the LDP hello interval on an MPLS VE interface (link Only)”
- [hello-timeout](#) - “Setting the LDP hello holdtime on an MPLS VE interface (link only)”
- [reservable-bandwidth](#) - “Bandwidth computation for an MPLS VE interface”
- [rsvp-authentication](#) - “Configuring RSVP message authentication on an MPLS VE interface”
- [exclude-interface](#) - “Specifying a bypass LSP for an MPLS VE interface”

## Adding an MPLS VE interface to an administrative group

The user can place individual interfaces into administrative groups. Administrative groups, also known as resource classes or link colors, allows the user to assign MPLS enabled VE interface to various classes. For more information on assigning an MPLS-enabled interface to an administrative group, refer to [“Adding interfaces to administrative groups”](#).

To assign MPLS interface ve 100 to an administrative group called “gold”, enter the following.

```
Brocade(config-mpls)# mpls-interface ve 100
Brocade(config-mpls-if-ve-100)# admin-group gold
```

Syntax: [no] admin-group *number* | *name* [*number* | *name*]

The *number* variable can be from zero – 31. The administrative group *name* variable must have been previously configured. By default, no admin group is configured for any MPLS interfaces, including MPLS VE interface.

An MPLS enabled VE interface can belong to any number of administrative groups. For example, to assign an MPLS interface ve 100 to group “gold” and group 31, enter commands such as the following.

```
Brocade(config-mpls)# mpls-interface ve 100
Brocade(config-mpls-if-ve-100)# admin-group gold 31
```

## Configuring LDP on an MPLS VE interface

---

### NOTE

For more information on configuring LDP on physical interfaces, refer to [“Configuring LDP on an MPLS VE interface”](#).

---

To configure LDP on MPLS interface ve 100, enter commands such as the following.

```
Brocade(config)# router mpls
Brocade(config-mpls)# mpls-interface ve 100
Brocade(config-mpls)# ldp-enable
```

Syntax: [no] ldp-enable

The [no] option removes LDP on an MPLS interface, including LDP on an MPLS VE interface.

## Setting the LDP hello interval on an MPLS VE interface (link Only)

---

### NOTE

For more information on setting the LDP hello interval on physical interfaces, refer to [“Setting the LDP hello interval on an MPLS VE interface \(link Only\)”](#).

---

The user can set the LDP Hello Interval on an MPLS enabled VE interface. This option is only available for Link LDP sessions. The following example configures LDP hello-interval to 30 seconds for MPLS interface ve 100.

```
Brocade(config)# router mpls
Brocade(config-mpls)# mpls-interface ve 100
Brocade(config-mpls-if-ve-100)# ldp-params
Brocade(config-mpls-if-ve-100-ldp-params)# hello-interval 30
```

Syntax: [no] hello-interval *seconds*

The *seconds* variable specifies the value in seconds of the Hello Interval that the user is configuring on an MPLS VE interface for LDP Link Hello messages. The LDP hello interval can be from 1 - 32767 seconds. The default value for LDP hello interval is 5 seconds.

The [no] option removes a previously configured LDP Hello Interval.

## Setting the LDP hello holdtime on an MPLS VE interface (link only)

---

### NOTE

For more information on setting the LDP hello holdtime on physical interfaces, refer to [“Setting the LDP hello holdtime on an MPLS VE interface \(link only\)”](#).

---

The user can set the LDP Hello Holdtime on an MPLS enabled VE interface. This holdtime value is sent in Hello messages from the interface. This option is available for Link LDP sessions only. The following example configures LDP hello-timeout to 18 seconds for MPLS interface ve 100.

```
Brocade(config)# router mpls
Brocade(config-mpls)# mpls-interface ve 100
Brocade(config-mpls-if-ve-100)# ldp-params
Brocade(config-mpls-if-ve-100-ldp-params)# hello-timeout 18
```

Syntax: [no] hello-timeout *seconds*

The value configured in the *seconds* variable is the LDP Hello Timeout value that is sent in LDP Hello messages from this interface. The range for this value is 1 - 65535 seconds. The default value is 15 seconds.

The [no] option removes a previously configured LDP Hello Timeout value.

## Bandwidth computation for an MPLS VE interface

The maximum reservable bandwidth for a VE interface is computed based on minimum speed of all active members on a physical port. When one of the member ports is a trunk port, MPLS computes the trunk bandwidth before computing the VE bandwidth. The bandwidth of a trunk port is the sum of all active physical member ports of the trunk. For example, there are two ports (One port is 10 gig and other port is one gig), and one trunk port configured on a VE interface. The trunk is carrying

two ports, and each port is one gig. To calculate the bandwidth of the trunk, the user takes the sum of all active ports on a physical port. In this example, the bandwidth of the trunk is equal to two gigs. To calculate the bandwidth of the VE interface, take the minimum of all active port members. In this example, the bandwidth of the VE interface is one gig.

#### Configuration Considerations

A VE interface bandwidth must be recomputed when any one of the following occurs:

- A new member port is added to a VLAN associated with a VE interface.
- A new member port is removed from a VLAN associated with a VE interface.
- When a member port of a VLAN associated with a VE interface is up.
- When an active member port of a VLAN associated with a VE interface that is down.

A physical port can be part of more than one VE interface. Each VE interface assumes that it has a full amount of reservable bandwidth for a physical port. However, the amount of reservable bandwidth on one VE is not reflected on another VE interface even though both VE interfaces share the same physical port. For example, when there are two VE interfaces; VE1 and VE2. Each VE interface supports the same amount of reservable bandwidth of 1Gbps. The amount of reservable bandwidth used to set up LSPs on VE1 is not reflected in the amount reservable bandwidth that is available on VE2. This results in an excess amount of reservable bandwidth that can be supported on a physical port. This causes data traffic to be dropped.

The default bandwidth for a VE interface is computed automatically, and is based on the underlying physical links. The user can now override the default bandwidth for a VE interface by executing the `reservable-bandwidth` command. The following example demonstrates how to override the default behavior by configuring reservable bandwidth to 400mbps on MPLS interface `ve 100`.

```
Brocade(config)# router mpls
Brocade(config-mpls)# mpls-interface ve 100
Brocade(config-mpls-if-ve-100)# reservable-bandwidth 400000
```

Syntax: `[no] reservable-bandwidth number`

The *number* variable refers to the amount of reservable bandwidth that is supported on an MPLS interface, including an MPLS enabled VE interface. The range for this value is 0 - 80000000 kbps. The `[no]` option removes all configuration for reservable bandwidth on an MPLS enabled VE interface.

## RSVP message authentication on an MPLS VE interface

Support was added for RSVP message authentication using MD5 as described in RFC 2747. It is implemented on the Brocade devices to prevent spoofing of RSVP messages. All inbound RSVP messages on an interface must contain RSVP Integrity object for getting authenticated and accepted by RSVP. Inbound RSVP messages with no Integrity object, or an incorrect integrity object is dropped by RSVP. All outbound RSVP messages on an interface contain an RSVP Integrity object. For more information on RSVP message authentication, refer to [“RSVP message authentication”](#).

## Configuring RSVP message authentication on an MPLS VE interface

---

### NOTE

For more information on configuring RSVP message authentication on physical interfaces, refer to [“Configuring RSVP message authentication”](#).

---

RSVP Message Authentication is disabled by default. This authentication method uses MD5 for an MPLS VE interface. The following example configures RSVP message authentication for MPLS interface ve 100.

```
Brocade(config)# router mpls
Brocade(config-mpls)# mpls-interface ve 100
Brocade(config-mpls-if-ve-100)# rsvp-authentication key private
```

Syntax: [no] rsvp-authentication key *string*

The *string* variable specifies a text string of up to 64 characters that is encrypted and used for RSVP message authentication.

## Specifying a bypass LSP for an MPLS VE interface

The user can create a bypass LSP by using the bypass-lsp command. This is used for facility backup FRR. In the context of bypass LSP, the user can configure an MPLS interface as an exclude (protected) interface against resource failures using a bypass LSP. The user can specify a VE interface as exclude-interface. When a protected LSP egress interface is a VE interface, then any fault on a VE interface could trigger FastReroute. The following example configures protection for MPLS interface ve 100 using facility backup FRR.

```
Brocade(config)# router mpls
Brocade(config-mpls)# bypass-lsp to4
Brocade(config-mpls-bypasslsp-to4)# exclude-interface ve 10
```

Syntax: [no] exclude-interface ethernet *slot/port* [ethernet *slot/port* | to *slot/port*] | pos *slot/port* [pos *slot/port* | to *slot/port*] | ve *vid*]

By default, a VE interface is not protected. The ve parameter allows the user to configure a ve interface as exclude-interface specified by *vid*.

## Setting up signaled LSPs

An LSP consists of an actual path of MPLS routers through a network, as well as the characteristics of the path, including bandwidth allocations and routing metrics. There are two kinds of LSPs: signaled and static. Signaled LSPs are configured at the ingress LER. When the user enables a signaled LSP, RSVP causes resources to be allocated on the other routers in the LSP.

Configuring a signaled LSP consists of the following tasks:

- Specifying a path for the LSP to follow (optional)
- Setting parameters for the signaled LSP

- Specifying which packets are to be forwarded along the LSP (optional)

## Setting up paths

A *path* is a list of router hops that specifies a route across an MPLS domain. Once the user creates a path, the user can create signaled LSPs that see the path. Paths are configured separately from LSPs so that a path may be specified once and then used by several LSPs that see the path by name. An LSP may specify a primary and one or more redundant paths.

A path is always configured at the ingress LER and assumes that the ingress LER is the beginning of the path. A path can contain any number of *nodes*, which correspond to MPLS-enabled routers in the network. Each node has one attribute: whether it is *strict* or *loose*. A strict node means that the router must be directly connected to the preceding node. A loose node means that there can be other routers in between.

Creating a path is not absolutely necessary when configuring an LSP. When the user configures a signaled LSP without naming a path, CSPF uses only information in the Traffic Engineering Database (TED), as well as the user-configured attributes and requirements of the LSP to calculate the path. Refer to [“How CSPF calculates a traffic-engineered path”](#) for more information. When the LSP has been configured not to use CSPF, the path between the ingress and egress LERs is determined using standard hop-by-hop routing methods, as if the path consisted of a single loose node.

The following commands set up a path called `sf_to_sj` that has four nodes.

```
Brocade(config-mpls)# path sf_to_sj
Brocade(config-mpls-path)# strict 10.150.1.1
Brocade(config-mpls-path)# insert strict 10.150.1.1 strict 10.150.1.2
Brocade(config-mpls-path)# loose 10.1.1.1
Brocade(config-mpls-path)# strict 10.100.1.1
Brocade(config-mpls-path)# exit
```

Syntax: `[no] path path name`

Syntax: `[no] strict | loose ip address`

The path is assumed to start from the local node. The user specifies the nodes in order from ingress to egress. Specifying the local node itself as the first node in the path is optional. Further, the final node does not necessarily have to be the egress LER in the LSP. (The egress LER is specified at the LSP configuration level with the `to` command.) When the final node in the path differs from the egress LER, the hop between the final node in the path and the egress LER is treated as a hop to a loose node; that is, standard IP routing is used to determine the path between the final node and the egress LER.

The IP address defines an LSR and can be any interface address or a loopback interface address on the LSR.

The strict and loose parameters are relative to the preceding node. In the `sf_to_sj` path defined above, LSR 10.150.1.2 is a strict node; it must be directly connected to LSR 10.150.1.1. LSR 10.1.1.1 is a loose node; this means there can be other routers between LSR 10.150.1.2 and 10.1.1.1. When specifying a strict node, the user must make sure that the LSR is actually directly connected to the preceding node.

## Modifying a path

Once the user has created a path, the user can insert or delete nodes from it. For example, to delete a node from the `sf_to_sj` path defined above.

```
Brocade(config-mpls)# path sf_to_sj
Brocade(config-mpls-path)# delete loose 10.1.1.1
Brocade(config-mpls-path)# exit
```

Syntax: `[no] delete strict | loose ip address`

To insert a node into a path.

```
Brocade(config-mpls)# path sf_to_sj
Brocade(config-mpls-path)# insert strict 10.150.1.1 before 10.150.1.2
Brocade(config-mpls-path)# exit
```

Syntax: `[no] insert strict | loose ip address before ip address`

The insert command allows a new node to be inserted in front of an existing node within the path. In this example, the `insert strict 10.150.1.1 before 10.150.1.2` command assumes that `10.150.1.2` is already in the path and inserts `10.150.1.1` before it.

---

### NOTE

When the user modifies a path, the changes are not carried over to active LSPs that see the path until the LSPs are deactivated and reactivated. For example, path `sj_to_sf` may be used by an LSP called `lsp1`. After `lsp1` has been activated, any changes to path `sj_to_sf` do not cause the route followed by `lsp1` to be modified. To get the LSP to use the modified path, the user must deactivate and then reactivate `lsp1`.

---

## Deleting a path

To delete an entire path from the LSRs configuration, enter a command such as the following.

```
Brocade(config-mpls)# no path sf_to_sj
```

Syntax: `[no] path path name`

## Configuring signaled LSP parameters

Once the user has configured a path, the user can configure signaled LSPs that see it. An LSPs configuration can specify not only the path that label-switched packets follow in a network, but also the characteristics of the path, the resources allocated along the path, and actions applied to the packets by the ingress or egress LERs.

The user can perform the following tasks when configuring a signaled LSP:

- Performing a Commit for an LSP
- Creating the LSP
- Specifying an egress LER for the LSP
- Specifying a primary path for the LSP (optional)
- Configuring secondary or hot-standby paths for the LSP (optional)

- Setting aliases for the egress LER (optional)
- Setting a Class of Service (CoS) value for the LSP (optional)
- Allocating bandwidth to the LSP (optional)
- Configuring the setup and hold priority for the LSP (optional)
- Setting a metric for the LSP (optional)
- Including or excluding administrative groups from LSP calculations (optional)
- Limiting the number of hops the LSP can traverse (optional)
- Specifying a tie-breaker for selecting CSPF equal-cost paths (optional)
- Disabling the Record-Route function (optional)
- Disabling CSPF path calculations (optional)
- Configure Maximum Packet Size without Fragmentation
- Enabling the LSP
- Disabling the LSP
- Generating Traps and Syslogs for LSPs

## Performing a commit for an LSP configuration command

For LSP configuration commands to take effect, either an explicit or implicit commit must be performed. These are performed as shown in the following:

### Performing an explicit commit

The user can perform an explicit commit within the configuration of a specified LSP using the commit command. The following example demonstrates the creation of an LSP named samplelsp and its primary and secondary paths. After the configuration is entered, the commit command is executed to activate the configuration.

```
Brocade(config)# router mpls
Brocade(config-mpls)# lsp samplelsp
Brocade(config-mpls-lsp-samplelsp)# primary-path pathprimary
Brocade(config-mpls-lsp-samplelsp)# secondary-path pathsecondarya
Brocade(config-mpls-lsp-samplelsp)# secondary-path pathsecondaryb
Brocade(config-mpls-lsp-samplelsp)# select manual pathsecondaryb
Brocade(config-mpls-lsp-samplelsp)# commit
```

Syntax: [no] commit

The reoptimize command is another type of explicit commit.

Using the reoptimize command, the user can activate all pending LSP configuration changes for specified LSP or use the all option to activate all pending LSP configuration changes for all of the LSPs configured on the router. Configuration of this command is described in [“Reoptimizing LSPs”](#).

### Performing an implicit commit

MPLS allows the user to modify the configurable parameters for RSVP LSPs while the LSP is operational. After modifying the parameters for an operational LSP, the user must execute the commit command to apply the changes. Applying these configuration changes requires a new instance of the LSP to be signaled with a modified or new set of parameters, also known as make-before-break. Once the new instance of the LSP is up, the old instance is removed.

# 1 Setting up signaled LSPs

To allow changes to be automatically applied, the user can use the `implicit-commit` command under the MPLS policy command to enable certain types of events to trigger implicit commit. When there are any changes to the configuration of the LSP, the make-before-break operation is not triggered.

```
Brocade(config-mpls-policy)# implicit-commit autobw-adjustment
```

Syntax: `[no] implicit-commit [all | autobw-adjustment | lsp-reoptimize-timer]`

The `autobw-adjustment` parameter configures an implicit commit to be performed for the uncommitted changes before adjusting the bandwidth of an auto bandwidth LSP. Default is changes are not committed and bandwidth adjustment is skipped.

When the `lsp-reoptimize-timer` parameter is set, upon the reoptimization timer expiry, uncommitted changes are applied before initiating make-before-break procedure. Default is changes are not committed and reoptimization is skipped.

When the `all` parameter is set, an implicit commit is performed in all conditions before initiating make-before-break.

## Creating an LSP

To create a signaled LSP and enter the LSP configuration level, enter commands such as the following.

```
Brocade(config-mpls)# lsp tunnel1
Brocade(config-mpls-lsp)#
```

Syntax: `[no] lsp name`

## Specifying the egress LER

Each LSP requires one and only one egress LER. The egress LER is the router from which packets exit the MPLS domain in this LSP. After the LSP is successfully established, the address of the egress LER is installed as an internal host route on the ingress LER, allowing the ingress LER to direct BGP next-hop traffic into the LSP. The destination address does not necessarily have to be the final node in the primary path specified for the LSP. When the final node in the path differs from the destination address, the hop between the final node in the path and the egress LER is treated as a loose hop.

To specify 10.100.1.1 as the address of the egress LER for LSP tunnel1.

```
Brocade(config-mpls)# lsp tunnel1
Brocade(config-mpls-lsp)# to 10.100.1.1
```

Syntax: `to ip address`

The egress LER is the only required parameter in an LSP. All other parameters are optional.

---

### NOTE

When OSPF is used as the IGP, the egress LER advertises the tunnel destination in type 1 (router) LSA in order for the LSP to be properly mapped by CSPF. To ensure that this happens, connect to the egress LER and enable OSPF on the interface which has the IP address of the tunnel destination. When none of the interfaces on the egress LER has the IP address of the tunnel destination (example, when the tunnel destination address is the egress LERs router ID rather than an interface



address – to manually set the router ID, then the tunnel destination address must be included in the router address TLV in the type 10 LSA originated by the egress LER. This is accomplished by setting the egress LERs traffic engineering policy to OSPF with the traffic-engineering ospf command (see “[Enabling OSPF-TE LSAs for MPLS interfaces](#)”).

---

**NOTE**

When IS-IS is used as the IGP, the egress LER advertises the tunnel destination in Extended IP Reachability TLV 135 in order for the LSP to be properly mapped by CSPF. To ensure that this happens, connect to the egress LER and enable IS-IS on the interface which has the IP address of the tunnel destination. When none of the interfaces on the egress LER has the IP address of the tunnel destination (e.g., when the tunnel destination address is the egress LER’s router ID rather than an interface address – to manually set the router ID, then the tunnel destination address must be included in Traffic Engineering router ID TLV 134 in the LSP originated by the egress LER. This is accomplished by setting the egress LER’s traffic engineering policy to IS-IS with the traffic-engineering isis level command (see “[Enabling IS-IS LSPs with TE extensions for MPLS interfaces](#)”).

---

## Specifying a source address for an LSP

The user can optionally specify a source IP address for a signaled LSP. RSVP path messages carry this address.

To specify a source IP address of 10.2.3.4 for LSP tunnel1.

```
Brocade(config-mpls)# lsp tunnel1
Brocade(config-mpls-lsp)# from 10.2.3.4
```

Syntax: from *ip address*

The from command specifies the source IP address to be carried in RSVP Path messages for the LSP. This command is optional. When the from command is specified, then the address is always carried in RSVP Path messages as the source IP address for the LSP. When the from command is not specified, then when the LSP is enabled, the device dynamically determines the source address of the LSP (using the device’s router ID or the address of the first loopback as the source address).

Note that the IP address specified in the from command affects only the address carried in the RSVP Path messages for the LSP. It does not affect the outgoing interface (and thus the actual path) that the Path messages are sent out.

## Specifying the primary path for an LSP

The primary path is the route that packets generally travel when going through an LSP. The user can specify a user-defined path or no path at all. Refer to “[Setting up paths](#)” for information on defining a path. Once the LSP is enabled, the ingress LER attempts to signal the other LSRs in the path so that resources can be allocated to the LSP. When the user does not specify a primary path, the path used in the LSP is the shortest path to the egress LER, as determined from standard IP routing methods, or CSPF when it is enabled.

To specify the sf\_to\_sj path as the primary path for LSP tunnel1.

```
Brocade(config-mpls)# lsp tunnel1
Brocade(config-mpls-lsp)# primary-path sf_to_sj
```

Syntax: [no] primary-path *path name*

## Configuring redundant paths for an LSP

---

### NOTE

This section describes the behavior of redundant paths. However, the user can exercise further control over the path selection process by specifying the path selection mode and preferred path using the `select-path` command. This process is described in detail in [“Configuring path selection”](#).

---

A signaled LSP has a primary path, which is either user-defined or computed by the ingress LER. Optionally, the user can configure one or more redundant paths to serve as a backup. When the primary path fails, traffic for the LSP can be forwarded over the redundant path. When no redundant path is configured for the LSP, when the primary path fails, the ingress LER automatically attempts to compute a new path to the egress LER, establish the new path, and then redirect traffic from the failed path to the new path.

Configuring a redundant path allows the user to exercise greater control over the rerouting process than when the ingress LER simply calculated a new path to the egress LER. When a redundant path is configured, when the primary path fails, the ingress LER attempts to establish the redundant path. As with the primary path, a redundant path follows an explicit route of loose or strict hops.

By default, the redundant path is established only when the primary path fails. The user can optionally configure a redundant path to operate in *hot-standby* mode. A hot-standby path is established at the same time the primary path in the LSP is established. Resources are allocated to the hot-standby path, although no packets for the LSP are sent over the hot-standby path until the primary path fails. When the primary path fails, the already-established hot-standby path immediately takes over from the primary path. Since the hot-standby path is already active, service outages that can arise from the process of signaling and establishing a new path are eliminated.

After the redundant path has been activated, the ingress LER continues to try to connect to the egress LER over the primary path, either indefinitely or up to the configured retry limit. When a connection over the primary path can be established, the redundant path is deactivated, and traffic for the LSP is again sent over the primary path. Once the primary LSP becomes available again, the redundant path is torn down; when the path is a hot-standby path, it reverts to its backup status.

The user can configure multiple redundant paths. When the primary path fails, the ingress LER attempts to establish a connection to the egress LER using the first redundant path configured for the LSP. When a connection cannot be established using the first redundant path, the second redundant path is tried, and so on. When a connection cannot be established after trying each redundant path in the configuration, the first redundant path is tried again, and the process repeats. (This behavior can be further modified using the `select-path` command; see [“Configuring path selection”](#).)

To configure a secondary path, first create a path, as described in [“Setting up paths”](#). After the user creates the path, the user can specify that it is to be used as a redundant path. For example, the following commands cause a path called `alt_sf_to_sj` to be used when the primary path in LSP `tunnel1` fails.

```
Brocade(config-mpls)# lsp tunnel1
Brocade(config-mpls-lsp)# secondary-path alt_sf_to_sj
Brocade(config-mpls-lsp-sec-path)#
```

Syntax: [no] secondary-path *path name*

Issuing the secondary-path command enters the secondary path configuration level. From this level, the user can specify that this path is to operate in hot standby mode.

**Example**

```
Brocade(config-mpls-lsp-sec-path)# standby
```

Syntax: [no] standby

Once the LSP is enabled, both the primary and hot-standby paths are activated, although packets are directed over only the primary path.

---

**NOTE**

At the secondary path level, the user can configure separate values for the following parameters: Class of Service (CoS), setup and hold priority, bandwidth allocations, and inclusion or exclusion of interfaces in administrative groups. When the user does not configure these parameters at the secondary path level, the secondary path uses the default values for these parameters.

---

## Configuring path selection

The user can exercise further control over the paths used by an LSP by setting the select mode and by specifying a preferred path using the select-path command as described below.

By default, an LSP with primary and secondary paths configured immediately uses the primary path. When the primary path fails, a secondary (redundant) path is used. When the primary path comes back up, traffic reverts to the primary path and the secondary (redundant) path returns to a back-up state. However, path selection can be configured to operate in any of the following three modes:

- auto select mode – This is the default mode of the router and no special configuration is required. When this mode is operating, the router always tries to use the primary path to carry traffic when the primary path has stayed operating in the working state for at least the amount of time specified in revert-timer configuration command. When no revert-timer is configured for the LSP, a value of zero second is used which causes immediate switching of the path.
- manual select mode – In this mode, traffic is switched to a user-specified path after the selected path has stayed operating in the working state for at least the amount of time specified in revert-timer configuration. In manual select mode, traffic stays on the selected path as long as the path remains in working condition and only switches to an alternative path, such as the primary path, when the selected path experiences a failure. Once the selected path comes back into working condition for the amount of time specified by the revert-timer configuration, traffic is switched back to it.

When an LSP is configured in manual select path mode with at least one other hot standby secondary path, the operation is as follows: when the selected path goes down, the system tries to bring up one hot standby secondary path to protect the primary path, but when the selected path is up, system brings down the hot standby secondary path since the selected path is already serving as a hot standby for the primary path.

# 1 Setting up signaled LSPs

- unconditional select mode – In this mode, traffic is switched to and stays on the selected path regardless of the path’s condition even when it is in a failure state. The main difference between manual and unconditional select mode is the test of the working condition of the user selected path. When configured in unconditional mode, the router starts the signaling for the selected path if has not already done so and brings down all other paths; this includes the primary path and the path carrying traffic when it is not the selected path. Because the speed at which the selected path comes up cannot be guaranteed, traffic forwarding might be disrupted.

---

## NOTE

The auto-select and manual-select mode configurations use the revert-timer configuration that is described in [“Configuring a Path Selection Revert Timer”](#).

---

The following example configured the LSP named `samplelsp` with a primary path named `pathprimary` and two secondary paths named `pathsecondarya` and `pathsecondaryb`. The path named `pathsecondaryb` is configured as a selected path in the manual select mode.

```
Brocade(config)# router mpls
Brocade(config-mpls)# lsp samplelsp
Brocade(config-mpls-lsp-samplelsp)# primary-path pathprimary
Brocade(config-mpls-lsp-samplelsp)# secondary-path pathsecondarya
Brocade(config-mpls-lsp-samplelsp)# secondary-path pathsecondaryb
Brocade(config-mpls-lsp-samplelsp)# select-path manual pathsecondaryb
Brocade(config-mpls-lsp-samplelsp)# commit
```

After configuring this example, traffic for `samplelsp` travels over the `pathsecondaryb` path whenever this path is in working condition because no `revert-timer` has been configured. When a `revert-timer` is configured, the router waits for the `pathsecondaryb` path to be up for at least the amount of time specified in the configuration of the `revert-timer` command. When the select mode is changed to unconditional, as shown in the following, traffic is switched to the `pathsecondaryb` path regardless of its working condition.

```
Brocade(config-mpls-lsp-samplelsp)# select-path unconditional pathsecondaryb
```

Syntax: `[no] select-path [manual | unconditional][path-name | primary]`

The `[no]` option returns an LSP to the default auto select mode when it has been previously configured to the manual select mode or unconditional select mode.

The *path-name* variable is the name of the path that the user wants to assign manual select mode or unconditional select mode to. The user can optionally specify the primary path by using the primary keyword.

The manual option configures the specified path to operate in the manual select mode. When the user selects primary as the specified path with the manual option, the primary path is selected as the preferred path, which is the same as the default operation.

The unconditional option configures the specified path to operate in the unconditional select mode. When the user selects primary as the specified path with the unconditional option, the primary path is selected as the preferred path regardless of the condition of the primary path.

Configuration changes made to the select mode do not take effect for an already enabled LSP until the change is activated implicitly using the `commit` command or explicitly using a `reoptimize` command as described in [“Performing a commit for an LSP configuration command”](#) or a system reboot is performed.

---

**NOTE**

When the user configures a primary path to be the selected path, a message is generated that states that it is already the default system behavior because the primary path is the default preferred path. In this instance, no configuration information is saved in the configuration file.

---

## Configuring a Path Selection Revert Timer

The Path Selection Revert Timer feature provides an option to stabilize a path before traffic is switched to it. Without a configured Path Selection Revert Timer, the router switches between a primary and secondary path immediately after the current working path goes down. A problem with this mode of operation is that it can cause flapping when the current path goes up and down frequently. Also, the LSP to which the route is switching traffic might be unstable, which causes the router to fail back to the current LSP almost immediately.

The Path Revert Timer insures the stability of the LSP to which the traffic is switched by specifying the number of seconds that the LSP must be running before it actually carries traffic.

To configure a Path Selection Revert Timer for an LSP, use the `revert-timer` command in the LSP configuration context, as shown in the following.

```
Brocade(config-mpls)# lsp samplelsp
Brocade(config-mpls-lsp-samplelsp)# revert-timer 10
```

Syntax: `[no] revert-time timer-value`

The *timer-value* value is the number of seconds that the router waits after the primary or selected path comes up before traffic reverts to that path. The range is 1– 65,535 seconds.

Usage considerations:

- The `revert-time` command has no effect on the unconditional select mode. Traffic is unconditionally switched to the user-selected path and stays on it.
- The path stability test used with the Revert Timer feature is based on the uptime of the latest instance of the path. This value can be different when the selected path has gone through a “make-before-break” procedure.
- For an LSP going through re-optimization, the new LSP does not carry traffic until the revert timer expires.
- When a user changes the revert timer, the basis of counting is the uptime of the path and is independent of the sequence or combination of configurations. Take, for example, a path that is configured in the manual select mode to be a secondary path with a revert-timer of 10 seconds. After the secondary path comes up, a 10-second timer starts, but after five seconds, the user changes the revert-timer value to four. Now the path has already been stable beyond the new configured revert-timer, so the original timer is canceled and traffic immediately switches over. However, if the user were to change the revert-timer value to eight seconds after running for five seconds, the existing count would terminate and start a new count of three seconds from the moment the first count terminated.

To configure a Path Selection Revert Timer, for an LSP, use the `revert-timer` command within the LSP configuration as shown in the following.

```
Brocade(config-mpls)# lsp samplelsp
Brocade(config-mpls-lsp-samplelsp)# revert-timer 10
```

Syntax: `[no] revert-time timer-value`

# 1 Setting up signaled LSPs

The *timer-value* value specifies an amount of time in seconds that the router waits after the primary or selected path comes back up before reverting to it.

## Setting a Class of Service value for the LSP

The 3-bit EXP field in the MPLS header can be used to define a Class of Service (CoS) value for packets travelling through the LSP. The user can manually set a CoS value for the LSP. The CoS value that the user sets is applied to the CoS (EXP) field in the MPLS header of all packets entering this LSP. This lets all packets travelling through an LSP to be treated with the same priority as they travel the MPLS domain. The user can assign the LSP a CoS in the range 0–7.

To assign a CoS value of 7 (highest priority) to all packets traveling through LSP tunnel 1.

```
Brocade(config-mpls)# lsp tunnell  
Brocade(config-mpls-lsp)# cos 7
```

Syntax: [no] cos *number*

The MPLS CoS value is used for determining priority within an MPLS domain only, so when the label is popped, the CoS value in the MPLS header is discarded; it is not copied back to the IP ToS field.

## Allocating bandwidth to an LSP

The user can specify the allocation of bandwidth for an LSP, including the maximum and average rates for packets that travel over it. Allocating bandwidth to an LSP lets the LSRs determine how much bandwidth the LSP can consume and how much of the available bandwidth resources can be advertised by using OSPF-TE LSAs.

The user can specify an average *mean-rate* kbps for the data on the LSP. When necessary, data can travel at *max-rate* kbps, as long as the burst sent at the maximum rate contains no more than *max-burst* bytes.

To set the maximum rate of packets that can go through an LSP (in Kbits/sec).

```
Brocade(config-mpls)# lsp tunnell  
Brocade(config-mpls-lsp)# traffic-eng max-rate 20
```

Syntax: [no] traffic-eng max-rate *rate*

To set the average rate of packets that can go through an LSP (in Kbits/sec).

```
Brocade(config-mpls)# lsp tunnell  
Brocade(config-mpls-lsp)# traffic-eng mean-rate 10
```

Syntax: [no] traffic-eng mean-rate *rate*

To set the maximum size (in bytes) of the largest burst the LSP can send at the maximum rate.

```
Brocade(config-mpls)# lsp tunnell  
Brocade(config-mpls-lsp)# traffic-eng max-burst 10
```

Syntax: [no] traffic-eng max-burst *bytes*

## Configuring a priority for a signaled LSP

The user can specify a priority for each signaled LSP for which this is the ingress LER. The priority determines the relative importance of the LSP during setup or preemption. The priority for an LSP has two components the setup priority and the hold priority.

When multiple LSPs are enabled at the same time, such as when the device is booted, LSPs that have a higher setup priority are enabled before LSPs that have a lower setup priority.

When an LSP is assigned a high setup priority, it may preempt an LSP that is already established, causing resources assigned to the lower priority LSP to be diverted to the higher priority LSP. The hold priority specifies how likely an established LSP is to give up its resources to another LSP. To be preempted, an LSP must have a lower hold priority than the preempting LSPs setup priority. In addition, an established LSP can be preempted by a higher priority LSP only if it would allow the higher priority LSP to be established successfully.

To configure LSP tunnel1 with a setup priority of 6 and hold priority of 1.

```
Brocade(config-mpls)# lsp tunnel1
Brocade(config-mpls-lsp)# priority 6 1
```

Syntax: [no] priority *setup-priority* / *hold-priority*

Possible values are 0 (highest priority) through 7 (lowest priority). An LSP setup priority must be lower than or equal to the hold priority. The default LSP setup priority is seven, and the hold priority is zero.

## Assigning a metric to the LSP

The user can assign a metric to the LSP, which can be used by routing protocols to determine the relative preference among several LSPs towards a given destination.

To assign a metric of five to LSP tunnel1

```
Brocade(config-mpls)# lsp tunnel1
Brocade(config-mpls-lsp)# metric 5
```

Syntax: [no] metric *number*

The metric has a range of 1– 65535. By default, all LSPs have a metric of one. A lower metric is preferred over a higher one. When multiple LSPs have the same destination LSR, and they have the same metric, the traffic load is shared among them.

## Including or excluding administrative groups from LSP calculations

Administrative groups, also known as resource classes or link colors, lets the user assign MPLS-enabled interfaces to various classes. When a device uses CSPF to calculate the path for an LSP, it takes into account the administrative group to which an interface belongs; the user can specify which administrative groups the device can include or exclude for this calculation.

For example, to include interfaces in either of the administrative groups “gold” and “silver” in the path calculations for LSP tunnel1, do the following.

```
Brocade(config-mpls)# lsp tunnel1
Brocade(config-mpls-lsp)# include-any gold silver
```

# 1 Setting up signaled LSPs

Syntax: [no] include-any *groups*

The value specified for *groups* can be one or more valid administrative group names or numbers. In this example, the device includes any of the interfaces that are members of groups “gold” or “silver” when calculating the path for this LSP. Only those interfaces in the “gold” or “silver” groups are considered for the LSP. Interfaces that are not part of these groups, as well as interfaces that are not part of any group, are eliminated from consideration.

To exclude interfaces in either administrative group “gold” or “silver” when the path for LSP tunnel1 is calculated.

```
Brocade(config-mpls)# lsp tunnel1
Brocade(config-mpls-lsp)# exclude-any gold silver
```

Syntax: [no] exclude-any *groups*

In this example, the device excludes any interface that is a member of group “gold” or “silver” when it calculates the path for this LSP. Only interfaces that are not part of either group are considered for the LSP.

To specify that an interface must be a member of both the “gold” or “silver” administrative groups in order to be included in the path calculations for LSP tunnel1.

```
Brocade(config-mpls)# lsp tunnel1
Brocade(config-mpls-lsp)# include-all gold silver
```

Syntax: [no] include-all *groups*

In this example, an interface must be a member of all the groups specified in the include-all command in order to be considered for the LSP. Any interface that is not a member of all the groups is eliminated from consideration.

## Limiting the number of hops the LSP can traverse

By default, the path calculated by CSPF can consist of no more than 255 hops, including the ingress and egress LERs. The user can optionally change this maximum to a lower number.

For example, to limit CSPF to choosing a path consisting of no more than 20 hops for LSP tunnel1.

```
Brocade(config-mpls)# lsp tunnel1
Brocade(config-mpls-lsp)# hop-limit 20
```

Syntax: [no] hop-limit *number*

The range for the number of hops is 0 – 255.

## Specifying a tie-breaker for selecting CSPF equal-cost paths

CSPF may calculate multiple, equal-cost paths to the egress LER. When this happens, the device chooses the path whose final node is the physical address of the destination interface. When more than one path fits this description, by default, the device chooses the path with the fewest hops. When multiple paths have this number of hops, the device chooses one of these paths at random. The user can optionally configure the device to choose the path that has either the highest available bandwidth or the lowest available bandwidth.



For example, the following commands cause CSPF to select the path with the highest available bandwidth when choosing among equal-cost paths calculated for LSP tunnel1.

```
Brocade(config-mpls)# lsp tunnel1
Brocade(config-mpls-lsp)# tie-breaking least-fill
```

Syntax: [no] tie-breaking least-fill | most-fill | random

The least-fill parameter causes CSPF to choose the path with the highest available bandwidth (that is, the path with the least utilized links).

The most-fill parameter causes CSPF to choose the path with the lowest available bandwidth (that is, the path with the most utilized links).

The random parameter causes CSPF to choose the path randomly from the equal-cost paths. This is the default.

## Disabling the record route function

The RSVP RECORD\_ROUTE object (RRO) allows an LSP's path to be recorded. An RRO consists of a series of subobjects that can contain the addresses of the LSRs in the path. This information can be viewed with the show mpls lsp detail command. The path information is recorded in the RRO by default, but the user can disable path recording.

To disable path recording in the RRO.

```
Brocade(config-mpls)# lsp tunnel1
Brocade(config-mpls-lsp)# no record
```

Syntax: [no] record

## Disabling CSPF path calculations

By default, CSPF is enabled for signaled LSP calculations. That is, when the device receives OSPF-TE LSAs, it places the traffic engineering information from them in its Traffic Engineering Database (TED). When the device is the ingress LER for the LSP, it uses the information in the TED to help determine a path for the LSP. When all nodes in the user's network are not capable of sending out OSPF-TE LSAs, the user may want to disable CSPF for the LSP.

To disable constraint-based path selection for LSP tunnel1.

```
Brocade(config-mpls)# lsp tunnel1
Brocade(config-mpls-lsp)# no cspf
```

Syntax: [no] cspf

## LDP tunnel metric

The user can use LDP tunnel metric information to decide whether LDP or RSVP is the preferred method for BGP nexthop resolution.

# 1 Setting up signaled LSPs

## Configuration considerations

The user can change the tunnel metric configuration at any time. The new value applies only to tunnels that are brought up after the change. Metrics for existing tunnels do not change.

## Configuring an LDP tunnel metric

To set all LDP tunnels to metric 2 (for example), enter the following command under the MPLS LDP configuration.

```
Brocade(config-mpls-ldp)# tunnel-metric 2
```

The new metric is applied only to newly created LDP tunnels

Syntax: [no] tunnel-metric *metric-value*

The *metric-value* is a value from 1 through 65535. The default is zero (0).

To revert to the default value, enter the [no] version of this command.

To use the LDP tunnel metric for BGP nexthop resolution, enter the following command at the BGP configuration mode.

```
Brocade(config-bgp)# next-hop-mpls compare-lsp-metric
```

Syntax: next-hop-mpls compare-lsp-metric

## Displaying tunnel metric configuration settings

To display tunnel metric configuration settings, enter the show mpls ldp command.

```
Brocade# show mpls ldp
Label Distribution Protocol version 1
  LSR ID: 10.1.1.1, using Loopback 1 (deleting it stops LDP)
  Hello interval: Link 5 sec, Targeted 17 sec
  Hold time value sent in Hellos: Link 15 sec, Targeted 41 sec
  Keepalive interval: 6 sec, Hold time multiple: 6 intervals
  Load sharing: 8
  Tunnel metric: 10
```

Syntax: show mpls ldp

## Configuring the maximum packet size

This feature allows the user to set a maximum IP packet size for packets that traverse an LSP without being fragmented. It can be configured for both primary and secondary paths.

To configure a maximum IP packet size for an LSP, enter commands such as the following.

```
Brocade(config-mpls)# lsp tunnel1
Brocade(config-mpls-lsp)# ipmtu 1500
```

Syntax: [no] ipmtu *packet-size*

The *packet-size* variable specifies the maximum packet size in bytes for IP packets transiting the LSP without being fragmented.

## Enabling a signaled LSP

After the user sets the parameters for the signaled LSP, the user can enable it. Enabling the LSP causes the path to be set up and resources reserved on the LSRs in the LSPs primary path. Enabling the LSP is the final step in configuring it.

To enable LSP tunnel1.

```
Brocade(config-mpls)# lsp tunnel1
Brocade(config-mpls-lsp)# enable
```

Syntax: [no] enable

## Disabling an LSP

Disabling an LSP de-activates it, but does not remove the LSP from the device's configuration. (To remove the LSP from the device's configuration, use the no lsp <name> command.) To make changes to an active LSP, first disable the LSP, modify parameters on the LSP, and then enable the LSP.

To disable LSP tunnel1.

```
Brocade(config-mpls)# lsp tunnel1
Brocade(config-mpls-lsp)# disable
```

Syntax: [no] disable

# FRR bypass LSPs

The LSP ping and traceroute facilities support FRR bypass LSPs. The user can ping or trace the protected LSP and bypass tunnel separately.

The user can ping or trace the ingress-originated or transit-originated bypass tunnel by specifying either the name of bypass LSP (as the user would any regular LSP name) or the entire RSVP session ID (including the tunnel endpoint, the tunnel ID, and the extended tunnel ID).

---

### NOTE

In the current facility backup implementation, the bypass LSP name must be unique in the system (for example, the name cannot be the same as the regular LSP name).

---

The traceroute output of a backup tunnel depends on the setting of the propagate-ttl and label-propagate-ttl options. When both propagate-ttl and label-propagate-ttl options are turned on, the traceroute output shows the detail of the bypass path. When both options are turned off, the bypass path is shown as a single hop. The options are either both ON or both OFF.

To trace the route of a backup path, the TTL of the bypass and protected labels (when they are not implicit NULL labels) are set as in the following example:

- Both propagate-ttl and label-propagate-ttl are ON: TTL = 1, 2, 3, and so on, are set for both labels.
- Otherwise: bypass label TTL is set to 255. Protected label TTL is set to 1, 2, 3, and so on.

IP TTL is set to top most label TTL. Otherwise, it is set to 255.

## Resetting LSPs

The `clear mpls lsp` command allows the user to reset an RSVP LSP session. Changes in the routing table after an LSP path is established do not take effect unless the LSP is brought down and then brought up again. After the user resets the LSP, it realigns to the new routing topology. The `clear mpls lsp` command can be used on the ingress LSR of the LSP.

### Resetting normal LSPs

The `clear mpls lsp` command allows the user to reset normal LSPs. The user has the option of supplying the primary/secondary parameter for a normal LSP to reset only the primary/secondary path of the LSP.

To reset or clear a bypass RSVP LSP session.

```
Brocade(config-mpls)# clear mpls bypass-lsp bypass-lsp-name
```

When the user resets an LSP with the `clear mpls lsp` command, the following information message is displayed.

```
"Disconnecting signaled LSP name"
```

```
"Connecting signaled LSP name"
```

Syntax: `clear mpls lsp lsp-name [primary | secondary]`

When a primary or secondary optional keyword is not specified when the user resets a normal LSP, then both the primary and secondary LSP paths associated with the *lsp-name* is reset and restarted.

## Resetting Bypass LSPs

This command allows the user to reset bypass LSPs.

---

### NOTE

The primary or secondary optional keywords are not applicable for bypass LSPs.

---

### Reset LSP considerations

The `clear mpls lsp` and `clear mpls bypass-lsp` commands reset and restart an MPLS RSVP LSP.

---

### NOTE

These commands are disruptive. Data traffic forwarding is impacted as the LSP is not in active state for sub-seconds after teardown. Resetting an LSP could trigger a series of actions depending upon the current state of the LSP.

---

The following describes the actions and state changes when an LSP is reset.

Resetting an LSP also resets the associated backup/detour LSPs:

- Resetting the primary path of an LSP causes the secondary LSP path to become active, when a hot-standby secondary path for the LSP is available. However, when the primary path comes up after the reset operation, the active path switches over from the secondary to the primary again. When the “revert-timer” is configured, the LSP path switchover may be dampened and obeys the usual revert-timer rule. There is no change in the revert-timer behavior due to the reset LSP feature.

---

**NOTE**

The above state changes are described here for informational purposes only. There could be several other intermediate state changes that are not listed here.

---

- Resetting the primary path of an adaptive LSP also resets the “other” new instances of the LSPs primary path, when available at the time of reset.
- Resetting the secondary path for an LSP resets the current secondary path of the LSP. It also resets the selected secondary path, when available at the time of reset.
- Resetting the secondary path for an LSP whose primary path is down may trigger the secondary path selection process to choose a new secondary path. When a new secondary path is found, it is signaled and may become the active path. When no secondary paths are found, then the current secondary may become the active path again after successful RSVP signaling.
- The primary path is UP but not active, and the secondary path is UP and active. The secondary to primary switchover occurred because the revert-timer has been configured (using a large value). Resetting the secondary LSP path still forces the path switchover from secondary to primary path in spite of the revert-timer configuration.
- For an adaptive LSP, when reset is performed before the commit command, then the LSP is reset and comes-up with a new set of configuration parameters. However, this is disruptive for data traffic, unlike the commit command, because the current instance of the LSP is reset while there is no new instance of the LSP available (because the commit command has not been executed yet).

## Generating traps and syslogs for LSPs

*Multi-Service IronWare* software supports the ability to enable and disable SNMP traps and syslogs for LSPs. LSP traps and syslogs are enabled by default.

To enable LSP traps after they have been disabled, enter the following command.

```
Brocade(config)# snmp-server enable traps mpls lsp
```

Syntax: [no] snmp-server enable traps mpls lsp

Use the [no] form of the command to disable LSP traps.

To enable LSP syslogs after they have been disabled, enter the following command.

```
Brocade(config)# log enable mpls lsp
```

Syntax: [no] log enable mpls lsp

Use the [no] form of the command to disable the syslog for LSPs.

## Link protection for FRR

A Label Switched Path (LSP) set up across an MPLS network is used to switch traffic across MPLS network. The path used by a LSP across the network is based upon network resources or any other traffic engineering constraints provided by the user. Based on TE-constraints, the ingress MPLS router computes the path to be taken by LSP and signals it using RSVP protocol.

By nature, nodes and links in a MPLS networks are prone to failure. It is likely that the link or the nodes through which LSP is traversing can fail. In the event of a failure of a node or link, RSVP protocol has mechanisms that informs the ingress node about the failure the to ingress node. On receipt of failure message for LSP across the path, the ingress router re-signals the LSP using a new path.

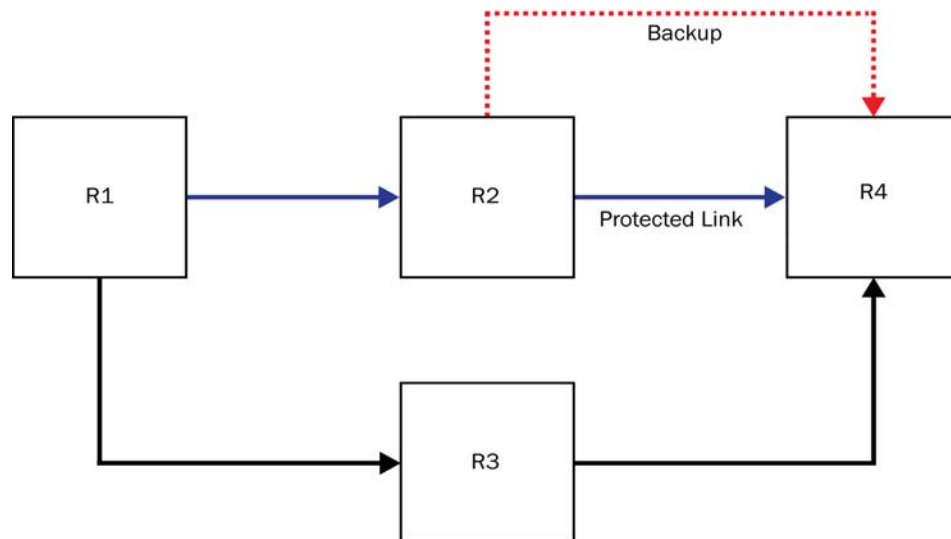
Due to messaging and other network delays, the ingress router cannot respond fast enough to minimize the loss of traffic. Traffic is lost from the moment the failure occurs and until the new path is setup for the LSP, which is quite large in quantum for service provider networks.

In order to avoid loss of traffic, Fast Reroute (FRR) protects the LSP and allows a broken LSP to be repaired immediately at the point of failure. Point of failure is termed as “Point of local repair (PLR)”, where the LSP can be repaired locally without intimating or waiting for the ingress router. PLR is the MPLS router which detects the failure and redirects the traffic appropriately to its backup path with minimal loss.

Typically at the PLR, two type of protection can be provided to LSP:

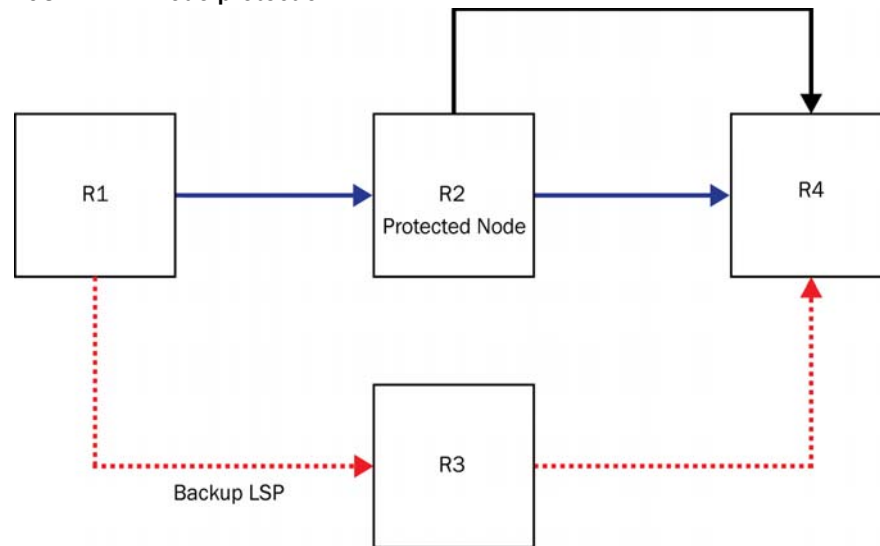
**Link Protection:** In this protection, the backup is selected in such a way that it avoids the failed link which was used earlier by the LSP. Traffic merges back to main stream from the backup on the very next MPLS router. Refer to following [Figure 21](#) illustrating link protection provided at R2 to LSP ingressing from R1 to R4.

**FIGURE 21** Link protection



Node Protection: In this protection, backup is selected in such a way that it avoids the failed link along with router to which this link connects to. The node which was responsible for link failure, is avoided altogether in its entirety, which was used earlier by the LSP. Traffic merges back to main stream from backup on somewhere downstream from the node, which is being avoided. Refer to [Figure 22](#) illustrating node protection provided at R1 to LSP ingressing from R1 to R4.

**FIGURE 22 Node protection**



Through *Multi-Service NetIron Release 05.500*, Brocade's NetIron routers pose default behavior with request of "Node Protection Desired" whenever local protection is requested for RSVP LSPs. It is not possible to request link protection over node protection or vice versa.

As part of this feature, ingress routers are allowed to expose this property of MPLS RSVP LSP to you and lets the user choose or prefer between Link protection or Node protection. Once the Node protection is chosen, PLR first tries to establish a backup LSP which provides Node protection. When Node Protection is not possible, it attempts to fall back to Link protection.

When the user chooses link protection over node protection, this is communicated to all routers participating in LSP. Each PLR in this case limits its search for backup LSP which provides link protection. In cases where link protection cannot be offered, PLR falls back to node protection.

The above feature is applicable to both one to one protection and many to one FRR protection.

The feature provides options to the user to set preferential method requested for local protection. When RSVP LSP is enabled with FRR (local protection), the user would be able to configure either Link protection or Node protection. Node protection remains the default.

Configuration steps for adaptive and non-adaptive LSPs have inherent differences with respect to their make-before break capabilities. The default behavior for both type of LSPs remains node protection.

## Configuring protection type preference for Non-Adaptive LSPs

You are able to change protection type preference (Node protection to Link protection or vice versa) only on admin down state of a non-adaptive LSPs. Any non-adaptive LSP which is already enabled by the user for signaling, cannot be changed.

## Configuring protection type preference for Adaptive LSPs

Because adaptive LSPs TE-property can be changed without restarting LSP and changed values takes effect through the make-before-break process, you are allowed to change the protection type preference (Node protection to Link protection or vice versa) at any point of time during life cycle of an adaptive LSPs, irrespective of its administrative or operational state. When you change the preferential protection type and it commits to the configuration, configuration takes effect. Signaling of the changed property depends upon state of LSP. For example, when the admin is UP or DOWN, it is operationally UP or DOWN. There is no change in the MBB trigger because of this feature. All MBB aspects including, but not limited to, implicit and explicit commits remain unchanged.

**TABLE 6** Protection type preferences for adaptive LSPs

	Requesting Node Protection		Requesting Link Protection	
	Earlier Request: Link protection.	Earlier Request: Node protection.	Earlier Request: Link protection.	Earlier Request: Node protection.
Adaptive LSP	LSP requests node protection on next commit operation.	No change	No change	LSP requests link protection on next commit operation.
Non-Adaptive disabled LSP	LSP requests node protection once user enables LSP.	No change	No change	LSP requests link protection once user enables LSP.

**NOTE**

If you try to configure the feature on a non-adaptive enabled LSP, the following error is displayed:  
Error: Must disable lsp before changing parameters

## Command Section

The following commands support this feature:

- `link-protection`
- `show mpls lsp [autobw-samples | name lsp_name autobw-sample]`
- `show mpls config [lsp] /show running-config /show configuration`



## link-protection

This command requests for link protection for FRR enabled LSP. The default configuration is always node protection.

The [no] function of the command sets protection type back to default behavior, which is node protection.

Syntax	[no] link-protection				
Command default	The [no] function of the command sets protection type back to default behavior, which is node protection.				
Parameters	None.				
Command modes	FRR-LSP mode (config-mpls-lsp-frr mode)				
History					
	<table><thead><tr><th>Release</th><th>Command history</th></tr></thead><tbody><tr><td><i>Multi-Service NetIron Release 05.6.00</i></td><td>This command requests for link protection for FRR enabled LSP.</td></tr></tbody></table>	Release	Command history	<i>Multi-Service NetIron Release 05.6.00</i>	This command requests for link protection for FRR enabled LSP.
Release	Command history				
<i>Multi-Service NetIron Release 05.6.00</i>	This command requests for link protection for FRR enabled LSP.				
Related commands	None.				

# 1 show mpls lsp [name lsp\_name][detail | extensive]

## show mpls lsp [name *lsp\_name*][detail | extensive]

The show mpls lsp *lsp\_name* command displays detailed information about a specific LSP name. The command output now contains additional information indication link protection or node protection.

Syntax show mpls lsp [name *lsp\_name*][detail | extensive]

Parameters name

The name option displays information specified by the *lsp\_name* variable.

detail

The detail option displays detailed information.

extensive

The extensive option displays detailed information with History.

Command modes This command operates in all modes.

Usage guidelines Fast Reroute: for when one-to-one backup and node protection is desired.

Command output The show mpls lsp [name *lsp\_name*] displays the following information.

Output field	Description
Name:	The name of the LSP. LSPs are displayed in alphabetical order.
To:	The egress LER for the LSP.
From:	The LSPs source address, configured with the from command. When a source IP address has not been specified for the LSP with the from command, and the LSP has not been enabled, then '(n/a)' is displayed in the 'From' field.
admin:	The administrative state of the LSP. Once the user activates the LSP with the enable command, the administrative state changes from DOWN to UP.
status:	The operational state of the LSP. This field indicates whether the LSP has been established through signaling and is capable of having packets forwarded through it. When the status of the LSP is DOWN, the reason why the LSP is down is shown in parentheses. There may be a short period of time after the user enables the LSP that the administrative state of the LSP is UP, but the status is DOWN. Once the LSP has been established through signaling, both the administrative state and the status is UP.
tunnel interface (primary path):	The path currently selected for this LSP.
Times primary LSP goes up since enabled:	The number of times the status of the LSPs primary path has transitioned from DOWN to UP.
Metric:	The metric for the LSP, configured with the metric command.
Maximum retries:	The maximum number of attempts the ingress LER attempts to connect to the egress LER, set with the retry-limit command.
no. of retries:	The number of attempts the ingress LER has made to connect to the egress LER.
Pri. path:	The name of the primary path for this LSP.

Output field	Description
up:	Displays if the primary path is currently UP.
active:	Displays if the primary path is currently active.
Setup priority:	The configured setup priority for the LSP.
hold priority:	The configured hold priority for the LSP.
Fast Reroute:	The method of Fast Reroute configured for this LSP. Currently only one-to-one backup is available.
Backup LSP:	Displays if the backup LSP is UP or DOWN.

### Examples Case 1: link protection requested

```

Brocade# show mpls lsp name t1
LSP 1, to 10.44.44.44
  From: 10.33.33.33, admin: UP, status: UP, tunnel interface(primary path):
  tn10
  Times primary LSP goes up since enabled: 0
  Metric: 0
  Maximum retries: NONE, no. of retries: 0
  Pri. path: NONE, up: no, active: no
  Setup priority: 7, hold priority: 0,
  .....
  Fast Reroute: facility backup desired, link protection desired
  Backup LSP: DOWN (CSPF fails: no bypass LSP found)
  .....
  .....

```

### Case 2: Link protection not requested

```

LSP 1, to 10.44.44.44
  From: 10.33.33.33, admin: UP, status: UP, tunnel interface(primary path):
  tn10
  Times primary LSP goes up since enabled: 0
  Metric: 0
  Maximum retries: NONE, no. of retries: 0
  Pri. path: NONE, up: no, active: no
  Setup priority: 7, hold priority: 0,
  .....
  Fast Reroute: one-to-one backup desired, node protection desired
  Backup LSP: DOWN (CSPF fails: no bypass LSP found)
  .....
  .....

```

### History

Release	Command history
<i>Multi-Service NetIron Release 05.6.00</i>	The command output now contains additional information indication link protection or node protection.

Related commands None.

# 1 show mpls config [lsp] /show running-config /show configuration

## show mpls config [lsp] /show running-config /show configuration

The show mpls config command and show running-config command display specific MPLS interface configuration information. The output of this command now contains additional information indicating that the link protection is configured.

Syntax	show mpls config show running-config show configuration						
Parameters	None.						
Command modes	This command runs in all modes.						
Usage guidelines	Use the show mpls config command or the show running-config command to display specific MPLS interface configuration information.						
Example	<p>Case 1: link protection requested</p> <pre>Brocade# show mpls conf router mpls ..... lsp 1 to 10.44.44.44 adaptive frr   link-protection   enable</pre> <p>Case 2: link protection not requested</p> <pre>Brocade# show mpls conf router mpls ..... lsp 1 to 10.44.44.44 adaptive frr enable</pre>						
History	<table><thead><tr><th>Release</th><th>Command history</th></tr></thead><tbody><tr><td><i>Multi-Service NetIron Release 05.6.00</i></td><td>The output of this command now contains additional information indicating that link protection is configured.</td></tr><tr><td><i>Multi-Service NetIron Release 05.5.00</i></td><td>This command was enhanced to display the label withdrawal delay setting.</td></tr></tbody></table>	Release	Command history	<i>Multi-Service NetIron Release 05.6.00</i>	The output of this command now contains additional information indicating that link protection is configured.	<i>Multi-Service NetIron Release 05.5.00</i>	This command was enhanced to display the label withdrawal delay setting.
Release	Command history						
<i>Multi-Service NetIron Release 05.6.00</i>	The output of this command now contains additional information indicating that link protection is configured.						
<i>Multi-Service NetIron Release 05.5.00</i>	This command was enhanced to display the label withdrawal delay setting.						
Related commands	None.						

## Configuring an adaptive LSP

The *Multi-Service IronWare* software supports Adaptive LSPs. Using this feature, the user can change the following parameters of an LSP while it is in the enabled state:

- cspf
- exclude-any
- hop-limit
- include-all
- include-any
- primary-path
- priority
- tie-breaking
- traffic-eng

When one of these parameters is changed on a Adaptive LSP, a new instance of the same LSP is signaled using the newly defined parameters. Once the new LSP comes up, traffic is moved to the new LSP instance and the old LSP instance is torn down.

To configure an LSP named to20 as an Adaptive LSP, use the following commands.

```
Brocade(config)# router mpls
Brocade(config-mpls)# lsp to20
Brocade(config-mpls-lsp-to20)# adaptive
```

Syntax: [no] adaptive

Once an LSP is configured to be adaptive, it can have the parameters described above changed. In the following example, the Setup and hold priorities for adaptive LSP to20 are changed to seven and one.

```
Brocade(config-mpls)# lsp to20
Brocade(config-mpls-lsp-to20)# priority 7 1
```

The new parameters are not changed for the adaptive LSP until the commit command is issued for the LSP.

---

### NOTE

Once the commit command has been issued, there may be a 30 ms traffic disruption.

---

In the following example of the show mpls lsp command for lsp to20, the priorities are not changed in the output.

```
Brocade(config-mpls-lsp-to212)# show mpls lsp to212
LSP to212, to 10.5.1.1
From: 10.4.1.1, admin: UP, status: UP, tunnel interface: tn11
Times primary LSP goes up since enabled: 1
Metric: 0, number of installed aliases: 0 Adaptive
Maximum retries: 0, no. of retries: 0
Setup priority: 7, hold priority: 0
Max rate: 0 kbps, mean rate: 0 kbps, max burst: 0 bytes
Constraint-based routing enabled: yes
Tie breaking: random, hop limit: 0
```

# 1 Configuring an adaptive LSP

```
OTHER INSTANCE PRIMARY: NEW_INSTANCE admin: DOWN, status: DOWN
Maximum retries: 0, no. of retries: 0
Setup priority: 7, hold priority: 1
Max rate: 0 kbps, mean rate: 0 kbps, max burst: 0 bytes
Constraint-based routing enabled: yes
Tie breaking: random, hop limit: 0
Active Path attributes:
  Tunnel interface: tn11, outbound interface: e1/2
  Tunnel index: 4, Tunnel instance: 1 outbound label: 3
  Path calculated using constraint-based routing: yes
  Explicit path hop count: 1
  10.2.1.2 (S)
Recorded routes:
  Protection codes: P: Local N: Node B: Bandwidth I: InUse
  10.2.1.2
```

The following commit command makes the new parameter settings active in Adaptive LSP to20's configuration

```
Brocade(config-mpls)# lsp to20
Brocade(config-mpls-lsp-to20)# commit
```

Syntax: [no] commit

After the commit command runs, the user can see that the priorities have changed by using the show mpls lsp command for lsp to20.

```
Brocade(config-mpls-lsp-to212)# show mpls lsp to212
LSP to212, to 10.5.1.1
  From: 10.4.1.1, admin: UP, status: UP, tunnel interface: tn11
  Times primary LSP goes up since enabled: 1
  Metric: 0, number of installed aliases: 0 Adaptive
  Maximum retries: 0, no. of retries: 0
  Setup priority: 7, hold priority: 1
  Max rate: 0 kbps, mean rate: 0 kbps, max burst: 0 bytes
  Constraint-based routing enabled: yes
  Tie breaking: random, hop limit: 0
  Active Path attributes:
    Tunnel interface: tn11, outbound interface: e1/2
    Tunnel index: 4, Tunnel instance: 2 outbound label: 3
    Path calculated using constraint-based routing: yes
    Explicit path hop count: 1
    10.2.1.2 (S)
  Recorded routes:
    Protection codes: P: Local N: Node B: Bandwidth I: InUse
    10.2.1.2
```

## Reoptimizing LSPs

Under ordinary conditions, an LSP path does not change unless the path becomes inoperable. Consequently, the router needs to be directed to consider configuration changes made to an LSP and to optimize the LSP path based on those changes. This is accomplished using the mpls reoptimize command as shown in the following.

```
Brocade# mpls reoptimize lsp to20
```

Syntax: [no] mpls reoptimize all | lsp *lsp-name*

The all option directs the router to reoptimize the paths for all LSPs configured.

The lsp option directs the router to reoptimize the path for the LSP specified by the <lsp-name>.

---

**NOTE**

On reoptimization of an adaptive LSP, LSP accounting statistics might miss the accounting of some of the packets.

---

## Time-triggered reoptimizing

The user can set a timer to optimize a specific LSP path on a periodic basis. Upon expiration of this timer, the LSP is optimized for a new path when the new path has a lower cost than the existing path. This timer can be configured when the LSP is in a disabled state, and the timer value can be adaptively changed when the LSP is in an enabled state by issuing a commit to take effect. Until a commit is issued the reopt timer is disabled.

To set the LSP reoptimization timer, use the reoptimize\_timer command during LSP configuration, as the following shows.

```
Brocade(config)# router mpls
Brocade(config-mpls)# lsp to20
Brocade(config-mpls-lsp-to20)# reoptimize_timer 1000
```

Syntax: [no] reoptimize\_timer seconds

The seconds variable specifies the number of seconds from the beginning of one reoptimization attempt to the beginning of the next attempt. The range of values for seconds is 300 – 65535.

The [no] option can be used to disable a timer that has been configured. By default, a timer is not configured.

Configuring a reoptimization timer does not interfere with running the manual reoptimize command as described in “[Reoptimizing LSPs](#)”.

---

**NOTE**

When upgrading software, configured adaptive LSPs are initialized with no reoptimization timer.

---

---

**NOTE**

This feature does not apply to LSPs within a FRR network.

---

## Static transit LSP

Static Transit LSP allows you to configure a transit cross-connect, consisting of the inbound-label, an optional outbound-label, and a next-hop IPv4 address. The next-hop configured will be used to get the outbound-interface and the interface next-hop address, and send the packet.

### Configuring Static Transit LSP

To configure Static Transit LSP you will perform the following procedure:

# 1 Static transit LSP

1. Perform label range splitting (optional).
2. Configure static transit LSP.

Label range splitting (optional)

---

**NOTE**

This procedure requires a reload.

---

Use the following configuration procedure to split the label-ranges.

1. Configure the static range with the start and end of the range using the `label-range static min-value min max-value max` command. The dynamic range will start from the next label-value after the end of the static range.
2. Save the configuration and reload.

The label range takes effect when the router comes up.

---

**NOTE**

Perform this procedure only if you do not want to use the default range values.

---

The default values for static LSP is the range of 16 - 2047.

Static transit LSP configuration

Use the following procedure to configure a static transit LSP.

1. Create the LSP and name using the `static-lsp transit name` command.
2. Configure the inbound-label that will be received in the packets from upstream.
3. Configure an outbound-label if it needs to do a swap operation. If it is a next-to-last hop doing PHP, this will be optional; the default implicit-null label value of 3 is assumed.
4. Configure the next-hop address for the packet using the `next-hop x.x.x.x` command.
5. Enable the LSP.

## Configuration example

Configuration is required at the transit node.

Splitting label space into static and dynamic

```
Brocade# configure terminal
Brocade(config)# router mpls
Brocade(config-mpls)# label-range static min 16 max 4095
```

Static LSP configuration at transit

```
Brocade# configure terminal
Brocade(config)# router mpls
Brocade(config-mpls)# static-lsp transit t1
Brocade(config-mpls-static-transit-lsp-t1)# in-label 16
Brocade(config-mpls-static-transit-lsp-t1)# next-hop 10.10.10.2
Brocade(config-mpls-static-transit-lsp-t1)# out-label 17
Brocade(config-mpls-static-transit-lsp-t1)# enable
```



## Functional Considerations

The following configuration behaviors must be considered before the configuration.

Changes in label range configuration

1. Configuration of in-label values outside of the label range will not be allowed.
2. If the label range is increased and reloaded, you will get a wider label range to use. Refer to [“Label range splitting \(optional\)”](#).

Enable with no in-label or next-hop

If you attempt to enable a static LSP which does not have either the inbound-label or next-hop configured, the enable will not be allowed. Inbound-label and next-hop are mandatory configurations.

## Configuration commands

Label-range static min

The label-range static min *min-value* max *max-value* command is used to configure the minimum and maximum values for user-configurable static labels.

```
Brocade(config-mpls)# label-range static min 16 max 2047
```

Syntax: [no] label-range static min *min-value* max *max-value*

This command has the following parameters:

- Min-value - The lower end of the range for the static labels.
- Max-value - The higher end of the range for the static labels.

The range is 16 - 499999 for both. The default is 16 for the min-value and 2047 for max-value.

The [no] form of the command will restore it to the default of 16 for min-value and 2047 for max-value.

## Static-lsp transit

Use the static-lsp transit command to create a new static LSP at the transit or enter into the mode of an existing one to modify its parameters, enable, or disable. The name will be unique within that router for static transit LSPs.

```
Brocade(config-mpls)# static-lsp transit 101
```

Syntax: [no] static-lsp transit *static transit-lsp-name*

This command has the following parameters:

Static transit-LSP-name: If an existing static transit LSP name is used, it will enter into the configuration mode for that static transit LSP.

## In-label

Use the in-label command to specify the label that will be received in the packets and used to identify the static transit LSP in the router. That in turn decides who the next hop will be (based on the “next-hop” configuration). No in-interface is configured as we use the global label-space. It would be an error to configure the same in-label for multiple LSPs, or specify a value outside the static range.

```
Brocade(config-mpls-static-transit-lsp-t1)# in-label 400
```

Syntax: [no] in-label *value*

The *value* parameter represents the label received in the MPLS header in the packets from the upstream.

Acceptable ranges for this parameter include the Static label min-value and Static label max-value. The value should not exceed the static label range configured on the router.

## Next-hop

The next-hop command represents the next-hop address based on which the out-interface and next-hop interface address will be obtained using longest match. You must provide a correct next-hop address or the LSP will not come up at this node.

The next-hop should be reachable by an Ethernet, VE or LAG interface. MPLS or GRE tunnels as next-hop out-interfaces are not supported. It would be an error to specify IP addresses that are generic local host or multicast.

```
Brocade(config-mpls-static-transit-lsp-t1)# next-hop 192.1.1.1
```

Syntax: [no] next-hop *address*

The *address* parameter represents the next-hop address. It must be a valid IPv4 address. This can be a directly connected next-hop interface address or a non-directly connected interface address or loopback address.

## Out-label

Use the out-label command to specify the label to be swapped for packets coming in with the in-label configured. If not, it is assumed to be a penultimate hop router and the incoming label will be popped before the packet is forwarded with no MPLS header to the downstream.

```
Brocade(config-mpls-static-transit-lsp-t1)# out-label 1048575
```

Syntax: [no] out-label *value*

The *value* parameter is the label value swapped onto the packets sent to the downstream router. If not configured, PHP is assumed and the implicit-null label(3) is assumed resulting in a pop.

The acceptable range for the *value* parameter is the valid MPLS label range (0-1048575 or 220-1), 0 (explicit null) and 3 (implicit null). The configured *value* parameter must be a value the next hop router knows and is within its valid label range.

## Enable

The enable command is used to enable the LSP configuration to bring up the LSP to allow forwarding to use the labels. It checks whether the configuration is valid - the in-label and the next-hop are configured - and then tries to bring up the LSP. Bring-up of the LSP can fail due to many reasons such as the out-interface not UP or the next-hop not valid.

```
Brocade(config-mpls-static-transit-lsp-t1)# enable
```

Syntax: enable

## Disable

The disable command is used to disable the LSP configuration. Disabling will remove the labels from the forwarding layers and the LSP cannot be used to forward packets anymore. It will allow the user to change any configuration in the LSP before enabling again. Labels are not deallocated though and it will be an error to use the same in-labels as on a disabled or enabled LSP.

```
Brocade(config-mpls-static-transit-lsp-t1)# disable
```

Syntax: disable

## Show Commands

The following show commands are available to display static-LSP information.

### Show mpls static-lsp

The show mpls static-lsp command displays the static-LSPs in the system in brief.

```
Brocade# show mpls static-lsp
Number of transit lsps: 2

Name           Admin  Oper  In-label  Out-label  Next-hop           Out-Intf
c2             UP     DOWN  21        1024       160.168.123.122   e2/1
c3             UP     UP    22        3          160.168.111.100  ve10
```

**TABLE 7** show mpls static-lsp field definitions

Field	Definition
Name	Name of the static LSP as configured by the user
Admin	Whether the static LSP is enabled or not
Oper	Operational state of the LSP
In-label	The in-label configured for the LSP
Out-label	The out-label configured. If none, the implicit-null label 3 is shown.
Next-hop	The configured next-hop.
Out-Intf	The out-interface that corresponds to the next-hop configured.

Syntax: show mpls static-lsp [*up* | *down*]

### Show mpls static-lsp

The show mpls static-lsp can be configured to display a detailed output for a specific static-LSP name or can display an extensive output.

```
Brocade# show mpls static-lsp extensive
Static-LSP t1, Role: Transit
  Enabled: Yes, UP: Yes
  Times LSP goes up since enabled: 1
  In-label: 201, Out-label: 3,
  Next-hop: 120.120.120.2,
  Out-Interface for the next-hop: e2/1
  Next-hop interface address to reach configured next-hop: 10.1.1.2
History
  0 Jul 11 01:38:32 : LSP tunnel is Enabled
  1 Jul 11 01:38:33 : Static Transit LSP UP

Static-LSP t2, Role: Transit
  Enabled: Yes, UP: No
  LSP error: No interface available for next-hop
  Times LSP goes up since enabled: 1
  In-label: 202, Out-label: 3,
  Next-hop: 20.1.1.2,
  Out-Interface for the next-hop: --
```

```

Next-hop interface address to reach configured next-hop: --
History
  0 Jul 11 01:38:32 : LSP tunnel is Enabled

```

Syntax: `show mpls static-lsp detail | name name | [up | down] [extensive] [up | down] [detail | extensive] [name name] extensive [wide]`

**TABLE 8** show mpls static-lsp extensive field definitions

Field	Definition
Role	The role of the LSP. Currently, only transit.
Enabled	Whether the LSP is enabled or not.
LSP error	Reason why LSP is down or if there was any error during any processing on the LSP.
UP	Whether LSP is operational or not.
Times LSP goes UP since enabled	Number of times the LSP has gone up since being enabled
In-label	The in-label configured
Out-label	The configured out-label, 3 if implicit-null.
Next-hop	The next hop configured.
Out-interface for the next-hop	The out-interface that corresponds to the configured next-hop
Next-hop interface address to reach configured next-hop	The interface address to reach the next-hop address configured. This will be the same as the configured next-hop in case the configured next-hop address is directly connected and different if not directly-connected.

## Show mpls label-range

The show mpls label-range command displays the following output.

```
Brocade# show mpls label-range
```

```
MPLS label range:
```

```

  Static          = 16 - 3000
  Dynamic         = 3001 - 499999

```

```
Modified label range:*
```

```

  Static          = 16 - 5000
  Dynamic         = 5001 - 499999

```

```
*These values will become effective after reload with saved config.
```

**TABLE 9** show mpls label-range field definitions

Field	Definition
MPLS label range	The header for the label ranges configured using commands label-range {static   dynamic} min-value <i>value</i> max-value <i>value</i>
Static	Represents the static label range for transit labels.

**TABLE 9** show mpls label-range field definitions

Field	Definition
Dynamic	Represents the dynamic label range for transit labels.
Modified label range	This header displays the values that have been configured, but not yet effective as label range changes require a reload. This section is visible only if a different set of values have been configured to take effect after reload.

Syntax: show mpls label-range

## Show mpls config static-lsp transit

This command displays the configuration stored in the show run command but restricted to the static LSPs configured:

```
Brocade# show mpls config static-lsp transit t1
static-lsp transit t1
  in-label 100
  out-label 101
  next-hop 10.1.1.2
enable
```

Syntax: show mpls config static-lsp transit *lsp-name*

## Show mpls summary

The output of the show mpls summary command now displays static-configured LSPs.

```
Brocade# show mpls summary

Path:
  Paths configured          =      1

RSVP-Signaled LSPs:
  LSPs configured          =      2
  LSPs enabled              =      2
  LSPs operational         =      1
  Detour LSPs UP           =      0
  Backup LSPs UP           =      0
  Bypass LSPs              =      1
  Bypass LSPs UP           =      0

LDP-Signaled LSPs:
  LSPs operational         =      0

Static-LSPs:
  Transit-LSPs configured =      12
  Transit-LSPs enabled   =      11
  Transit-LSPs operational =      9

VPLSs:
  VPLSs configured        =      0
  VPLS peers               =      0
  Peers operational        =      0

VLLs:
  VLLs configured         =      0
```

```

VLL peers = 0
Peers operational = 0

Local VLLs:
VLLs configured = 0
VLLs operational = 0

CSPF-GROUP:
Total configured = 0

Tunnels:
Total supported = 16000
Total allocated = 2

Cross-connects:
Total supported = 64000
Total allocated = 1

Auto-bandwidth templates:
Total supported = 100
Total configured = 0

Number of times MPLS has been enabled: 1

```

**TABLE 10** Field definitions

Field	Definition
Transit-LSPs configured	Number of static LSP transits configured
Transit-LSPs enabled	Number of static LSP transits enabled
Transit-LSPs operational	Number of static LSP transits operational.

Syntax: show mpls summary

## Show mpls forwarding

The show mpls forwarding command display now includes static-configured LSPs in the Signaling protocol part. "S" will be used to indicate static when no protocol is used.

```

Brocade# show mpls forwarding
R: RSVP L: LDP S: Static
Total number of MPLS forwarding entries: 3
  Dest-prefix  In-lbl Out-lbl Out-intf Sig Next-hop
1 44.44.44.44/32 - 3 e2/15 R 14.1.1.4
2 44.44.44.44/32 1024 3 e2/15 L 14.1.1.4
3 0.0.0.0/0 100 101 e3/14 S 12.1.1.2
4 0.0.0.0/0 101 102 e1/9 S 1.1.1.41

```

Syntax: show mpls forwarding

## Show mpls config

The show mpls config command shows the configuration inside MPLS. The display now includes the configuration of static transit LSPs.

```

Brocade# show mpls config

```

# 1 Static transit LSP

```
router mpls
  policy
    traffic-engineering isis level-1

mpls-interface ethernet 2/14

lsp c2
  to 14.14.14.14
  traffic mean-rate 10
  enable

static-lsp transit t1
  in-label 100
  out-label 101
  next-hop 10.1.1.2
  enable
```

Syntax: show mpls config

## Show run

The show run command display includes the static-LSPs configuration in the MPLS section of the configuration.

Brocade# show run

```
router mpls
  policy
    traffic-engineering isis level-1

mpls-interface ethernet 2/14

lsp c2
  to 14.14.14.14
  traffic mean-rate 10
  enable

static-lsp transit t1
  in-label 100
  out-label 101
  next-hop 10.1.1.2
  enable
```

Syntax: show run

## Syslog message display output

The following syslog messages will be displayed.

```
1. Static LSP goes UP:
MPLS: Static LSP st5 at transit is UP
2. Static-LSP goes down:
MPLS: Static LSP st6 at transit is DOWN
3. Static-LSP gets updated.
MPLS: Static LSP st6 at transit UPDATED
```



## Configuring MPLS Fast Reroute using one-to-one backup

To configure MPLS Fast Reroute by using the one-to-one backup method for a defined LSP named `frr_tunnel`, use the `frr` command as in the following example.

```
Brocade(config)# router mpls
Brocade(config-mpls)# lsp frr_tunnel
Brocade(config-mpls-lsp-frr_tunnel)# to 10.1.1.1
Brocade(config-mpls-lsp-frr_tunnel)# primary-path direct_path
Brocade(config-mpls-lsp-frr_tunnel)# secondary-path alt_path
Brocade(config-mpls-lsp-frr_tunnel)# frr
Brocade(config-mpls-lsp-frr_tunnel-frr)# bandwidth 100
Brocade(config-mpls-lsp-frr_tunnel-frr)# hop-limit 20
Brocade(config-mpls-lsp-frr_tunnel-frr)#
```

Syntax: `[no] frr`

This command enables MPLS Fast Reroute using the one-to-one backup on the LSP under whose configuration it is enabled. Options for this command are described in the sections that follow.

### MPLS Fast Reroute using one-to-one backup configuration options

The following options can be set for a MPLS Fast Reroute using one-to-one backup configuration:

- Bandwidth
- Exclude any
- Hop limit
- Include all
- Include any
- Priority

#### Configuring bandwidth for a MPLS Fast Reroute

To define a bandwidth constraint for the Fast Reroute path, use the following command.

```
Brocade(config-mpls-lsp-frr_tunnel)# frr
Brocade(config-mpls-lsp-frr_tunnel-frr)# bandwidth 100
```

Syntax: `[no] bandwidth rate`

The `rate` variable specifies the bandwidth in Kilobits/sec for the bypass route.

Acceptable value can be between zero and two Gigabits/sec.

A value of zero means that the detour route uses a best-effort value for bandwidth.

The default value is zero.

#### Configuring a hop limit for a MPLS Fast Reroute

By default, a detour route can consist of no more than 255 hops. the user can optionally change this maximum to a lower number.

For example, to limit any detour route in the LSP named `frr_tunnel` to no more than 20 hops.

# 1 Configuring MPLS Fast Reroute using one-to-one backup

```
Brocade(config-mpls-lsp-frr_tunnel)# frr
Brocade(config-mpls-lsp-frr_tunnel-frr)# hop-limit 20
```

Syntax: [no] hop-limit *number*

The number of hops can be from 0 – 255.

## Configuring priority for a MPLS Fast Reroute

The user can specify setup and hold priorities for the detour routes within a specified LSP. These priorities are available to any LSP and function exactly the same on standard LSPs as they do on detour LSPs. The priority determines the relative importance of the detour routes during setup or preemption. The priority has two components the setup priority and the hold priority.

When a detour LSP is assigned a higher setup priority, it can preempt any LSP (detour or otherwise) that is already established and has a lower holding priority, causing resources assigned to the lower priority LSP to be diverted to the higher priority LSP. The hold priority specifies how likely an established LSP is to give up its resources to another LSP. To be preempted, an LSP must have a lower hold priority than the preempting LSPs setup priority. In addition, an established LSP can be preempted by a higher priority LSP only when it would allow the higher priority LSP to be established successfully.

To configure the detour routes of LSP `frr_tunnel` with a setup priority of six and hold priority of one.

```
Brocade(config-mpls-lsp-frr_tunnel)# frr
Brocade(config-mpls-lsp-frr_tunnel-frr)# priority 6 1
```

Syntax: [no] priority [*setup-priority* | *hold-priority*]

Possible values are zero (highest priority) through seven (lowest priority). A setup priority must be lower than or equal to the configured hold priority on an LSP. By default, the setup priority is seven and the hold priority is zero.

## Including or excluding administrative groups from LSP calculations

Administrative groups, also known as resource classes or link colors, allows the user to assign MPLS-enabled interfaces to various classes. When a device calculates the path for a detour LSP, it takes into account the administrative group to which an interface belongs; the user can specify which administrative groups the device can include or exclude when making its calculation.

For example, to include interfaces in either administrative group “gold” or “silver” in the path calculations for detour routes of the LSP `frr_tunnel`.

```
Brocade(config-mpls-lsp-frr_tunnel)# frr
Brocade(config-mpls-lsp-frr_tunnel-frr)# include-any gold silver
```

Syntax: [no] include-any *groups*

The value specified for *groups* can be one or more valid administrative group names or numbers. In this example, the device includes any of the interfaces that are members of groups “gold” or “silver” when calculating detour routes for this LSP. Only those interfaces in the “gold” or “silver” groups are considered for the detour routes. Interfaces that are not part of these groups, as well as interfaces that are not part of any group, are eliminated from consideration.

To exclude interfaces in either administrative group “gold” or “silver” when detour routes for LSP `frr_tunnel` are calculated.

```
Brocade(config-mpls-lsp-frr_tunnel)# frr
Brocade(config-mpls-lsp-frr_tunnel-frr)# exclude-any gold silver
```

Syntax: [no] exclude-any *groups*

In this example, the device excludes any of the interfaces that are members of groups “gold” or “silver” when calculating detour routes for this LSP. Only interfaces that are not part of either group can be considered for the detour routes.

To specify that an interface must be a member of both the “gold” or “silver” administrative groups in order to be included in the detour routes for LSP *frr\_tunnel*.

```
Brocade(config-mpls-lsp-frr_tunnel)# frr
Brocade(config-mpls-lsp-frr_tunnel-frr)# include-all gold silver
```

Syntax: [no] include-all *groups*

In this example, an interface must be a member of all the groups specified in the include-all command to be considered in a detour route for the LSP. Any interface that is not a member of all the groups is eliminated from consideration.

## Protecting MPLS LSPs through a bypass LSP

Implementing a bypass LSP to back up one or more MPLS LSPs requires the following tasks:

- The LSPs that the user intends to have the protection of a bypass LSP must be enabled for Fast Reroute and then must be specified as needing facility backup. (The user does not need to create the LSP before the bypass LSP is created because the bypass LSP identifies the LSPs to protect by interface IDs, not by LSP names.)
- An LSP is configured to be a bypass LSP with enough bandwidth for all the LSPs that it protects.
- The interfaces that get the protection of a bypass LSP are identified to that particular LSP. Protected LSPs can be identified by individual interfaces, ranges of interfaces, interface groups, or a LAG.

---

### NOTE

The name of the bypass LSP must be unique among all bypass LSPs and all protected LSPs.

---

The sections that follow describe the items unique to the bypass LSP feature. The common LSP parameters are described elsewhere throughout this chapter.

## Specifying an LSP to request facility backup

LSP *xmr3-199* is configured for Fast Reroute and then configured to request facility backup.

```
Brocade(config-mpls)# lsp xmr3-199
Brocade(config-mpls-xmr3-199)# frr
Brocade(config-mpls-xmr3-199-frr)# facility-backup
```

Syntax: [no] facility-backup *name*

# 1 Configuring MPLS Fast Reroute using one-to-one backup

A subsequent iteration of the show command in the bypass LSP context shows that this LSP is a candidate for protection by a bypass LSP. The display for protected LSP xmr3-199 shows that, under frr, the facility-backup line shows this protection is requested.

```
Brocade(config-mpls-bypasslsp-123)# show mpls config lsp xmr3-199
lsp xmr3-199
to 10.33.33.33
primary xmr3-100
priority 4 3
secondary xmr3-101
standby
frr
facility-backup
revert-timer 10
enable
```

Syntax: show mpls configuration lsp *name*

## Specifying a bypass LSP

The user can create a bypass LSP by using the bypass-lsp command. Thereafter, in the bypass LSP context, the user must specify at least one interface as an exclude (protected) interface. This interface can be on a LAG. In this example, xm4 is specified to be a bypass LSP; the protected LSP interfaces are specified; and then the options for a bypass LSP are displayed.

```
Brocade(config)# router mpls
Brocade(config-mpls)# bypass-lsp xm4-by
Brocade(config-mpls-bypasslsp-xm4-by)#
Brocade(config-mpls-bypasslsp-xm4-by)# exclude-interface e 1/2, e 1/2, e 2/5-e 2/5
Brocade(config-mpls-bypasslsp-xm4-by)# ?
clear                Clear table/statistics/keys
cos                  Class of service
disable              Tear down the LSP
enable               Establish the LSP
end                  End Configuration level and go to Privileged level
exclude-any         Exclude any of the administrative groups
exclude-interface choose the interface to avoid as well as protect
exit                 Exit current level
from                 Set ingress router of the LSP
hop-limit            Limit of hops the LSP can traverse
include-all         Include all of the administrative groups
include-any          Include any of the administrative groups
metric              Set the LSP metric
no                   Undo/disable commands
primary-path         Set primary explicit path
priority             Setup/hold priorities
quit                 Exit to User level
record              Enable or disable recording path routes
show                 Display system information
tie-breaking         Choose the tie breaking mode for cspf
to                   Set egress router of the LSP
traffic-eng          Set traffic engineering parameters
write                Write running configuration to flash or terminal
```

Syntax: [no] bypass-lsp *name*

The *name* must be unique among all regular LSPs and bypass LSPs.

Syntax: [no] exclude-interface *linkid*, *linkid*, *linkid-begin-linkid-end*

Syntax: [no] exclude-any *group*

## Configuring a bypass LSP to be adaptive

The user can configure a bypass LSP to be adaptive using the adaptive command. The user can further configure an adaptive bypass LSP as follows:

- Control when the bypass LSP path gets reoptimized either by manually causing immediate path reoptimization using the mpls reoptimize command, or by setting a timer to reoptimize the path periodically using the reoptimize-timer command.
- Change parameters for an enabled bypass LSP without having to disable it.

A new instance of the LSP is signaled following path reoptimization or a change in LSP parameters and the old path is released.

---

### NOTE

Unlike regular adaptive LSPs, new path signaling does not take place on an adaptive bypass LSP that has traffic flowing through it.

---

## Specifying a bypass LSP to be adaptive

To specify an LSP to be adaptive, use the adaptive command in the bypass LSP context. By default, bypass LSPs are not adaptive. The LSP must be in the disabled state before the user enters the adaptive command. When the user has specified the LSP to be adaptive, the user can enable the LSP. In this example, the xm4-by LSP is configured to be adaptive.

```
Brocade(config)# router mpls
Brocade(config-mpls)# bypass-lsp xm4-by
Brocade(config-mpls-bypasslsp-xm4-by)# adaptive
Brocade(config-mpls-bypasslsp-xm4-by)# enable
```

Syntax: [no] adaptive

## Reoptimizing a bypass LSP

Under ordinary conditions, an LSP path does not change unless the path becomes inoperable. Consequently, the device needs to be directed to consider configuration changes made to an LSP and to optimize the LSP path based on those changes. As with regular LSPs, one way to do this for a bypass LSP is to enter the mpls reoptimize command as shown in the following example.

```
Brocade# mpls reoptimize lsp xm4-by
```

Syntax: mpls reoptimize all | lsp *lsp-name*

The all option directs the router to reoptimize the paths for all LSPs configured, including bypass LSPs.

The lsp *lsp-name* option directs the router to reoptimize the path for the specified LSP.

# 1 Configuring a bypass LSP to be adaptive

The *lsp-name* variable specifies the LSP to be optimized. This LSP can be a regular LSP or a bypass LSP.

## Time-triggered reoptimizing a bypass LSP

As with regular LSPs, the user can set a timer to optimize a specific bypass LSP path on a periodic basis. By default, the timer is disabled. Upon expiration of this timer, the bypass LSP is optimized for a new path when the new path has a lower cost than the existing path.

The user can configure the reoptimization timer when the bypass LSP is in either the disabled state or the enabled state. When configured with the bypass LSP in the disabled state, the new timer value takes effect immediately. When configured with the bypass LSP in the enabled state, the new timer value takes effect when the user performs an explicit commit operation by entering the commit command; until the user enters the commit command, the timer expires according to its previous setting.

When the bypass LSP is carrying traffic when the reoptimization timer expires, the path is not reoptimized, and the bypass LSP is evaluated for optimization the next time the timer expires.

To set the reoptimization timer for a bypass LSP, use the `reoptimize-timer` command in the bypass LSP context.

```
Brocade(config)# router mpls
Brocade(config-mpls)# bypass-lsp xm4-by
Brocade(config-mpls-bypasslsp-xm4-by)# reoptimize-timer 1000
Brocade(config-mpls-bypasslsp-xm4-by)# commit
```

Syntax: `[no] reoptimize-timer seconds`

The *seconds* variable specifies the number of seconds from the beginning of one reoptimization attempt to the beginning of the next attempt. The range of values for *seconds* is 300 through 65535. The `[no]` option can be used to disable a timer that has been configured.

## Modifying parameters on an enabled bypass LSP

When an adaptive bypass LSP is enabled, the user can change the following parameters:

- `exclude-any`
- `exclude-interface`
- `hop-limit`
- `include-all`
- `include-any`
- `primary-path`
- `priority`
- `reoptimize-timer`
- `tie-breaking`
- `traffic-eng`

---

### NOTE

For a bypass LSP, the user cannot change the CSPF parameter.

---

To change the value of one of these parameters, enter the command by the same name in the bypass LSP context, and then enter the commit command. The following example changes the limit on the number of hops a bypass LSP can traverse.

```
Brocade(config)# router mpls
Brocade(config-mpls)# bypass-lsp xm4-by
Brocade(config-mpls-bypasslsp-xm4-by)# hop-limit 20
Brocade(config-mpls-bypasslsp-xm4-by)# commit
```

For descriptions of all LSP parameters and the syntax of the commands that set them, refer to “[Configuring signaled LSP parameters](#)”. For bypass LSPs, however, the user must execute the commands in the bypass LSP context.

After entering the commit command, a new bypass LSP is signaled and includes the changes. However, considerations apply depending on whether the enabled adaptive bypass LSP is currently protecting any LSPs, and if so, whether it is actively carrying traffic. When the adaptive bypass LSP is not currently protecting any LSP, no additional considerations exist on configuring LSP parameters.

When the adaptive bypass LSP is carrying traffic from a locally repaired LSP, then the signaling of the new LSP instance is delayed until the bypass LSP is no longer actively backing up any LSP.

When the adaptive bypass LSP is protecting LSPs, some of those protected LSPs might become unprotected by this bypass LSP when the user changes any of the following parameters:

- exclude-any
- include-any
- include-all
- traffic-eng max-rate
- traffic-eng mean-rate

For example, when the traffic-eng mean-rate is decreased, one of the following actions takes place:

- The bypass LSP reroutes, which affects whether the backup is still valid on that bypass LSP.
- The bandwidth of the bypass LSP is reduced, which does not affect the path, but it does affect any backup that is reserving bandwidth on the bypass LSP. In this case, the protected LSPs are evaluated, and backups are removed from the bypass LSP until a consistent state is achieved.

The following example changes the traffic-eng mean-rate for a bypass LSP.

```
Brocade(config)# router mpls
Brocade(config-mpls)# bypass-lsp xm4-by
Brocade(config-mpls-bypasslsp-xm4-by)# traffic-eng mean-rate 2000
Brocade(config-mpls-bypasslsp-xm4-by)# commit
```

Syntax: commit

## Dynamic Bypass LSPs

When the user configures node protection or link protection on a device, bypass LSPs are created to the next-hop or next-next-hop routers for the LSPs traversing the device. Multiple protected LSPs use the same bypass LSP in case of protected LSP link or node failures.

# 1 Dynamic Bypass LSPs

There are two ways to establish a bypass LSP:

1. Static: The user manually configures in a MPLS enabled network so the protected LSPs uses the bypass LSP for link or node protection.
2. Dynamic: Computes and establishes a bypass LSP at runtime when there is a requirement to provide a FRR link or node protection to a facility protected LSP at its PLR points. Dynamic bypass LSPs are these bypass LSPs. A protected LSP requiring backup-LSP protection at every PLR triggers a dynamic bypass path computation and setup.

## Bypass LSP terminology

Table 11 dynamic bypass LSPs terms.

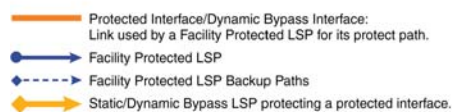
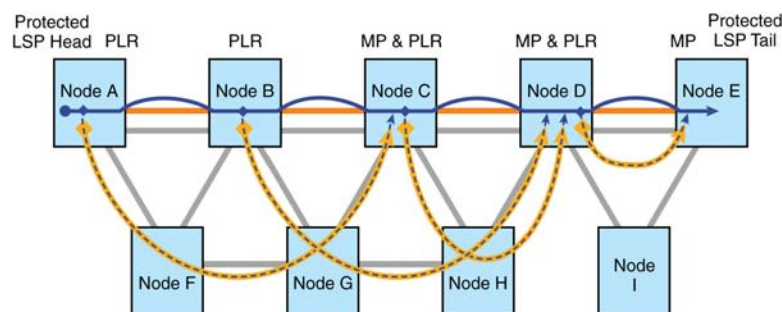
**TABLE 11** Common terms associated with dynamic bypass LSPs

Term	Meaning
LSP	Label Switched Path
MP	Merge Point
NHOP	Next Hop
NNHOP	Next Next Hop
NNNHOP	Next Next Next Hop
PLR	Point of Local Repair
MMB	Make-Before-Break

Figure 23 illustrates a protected dynamic bypass interface.

**FIGURE 23** Protected dynamic bypass interface





Facility protected LSPs use Bypass LSP for their FRR backup paths. Multiple backup paths can share a common bypass LSP provided their source and destination are same.

With Dynamic bypass feature, a PLR of a Facility Protected LSP shall automatically create a bypass LSP (if required to do so) such that the backup path can ride on it.

An automatically created bypass LSP can provide Link protection or Node protection based on its destination node, which is a merge point for the protected LSP.

A failure in protected interface will switch the protected path traffic to backup path which is riding on a bypass LSP.

When establishing a facility protected LSP with link or node protection, each LSR on the primary path verifies when there are any existing bypass LSPs that require protection constraints. When finding a bypass, it updates its bandwidth, depending on the requesting backup path bandwidth. The protected LSP backup path uses this bypass to reach its merge point. When there is no bypass available, the LSR computes and establishes a new bypass LSP, addressing the backup path constraints.

When an LSP is created for an interface, any number of facility protected LSPs may reuse or share a bypass LSP. All of the protected LSPs must use the same protected interface and the bypass LSP must satisfy the new LSPs backup path constraints. A periodic optimization of dynamic bypass LSPs is performed using the make-before-break procedure.

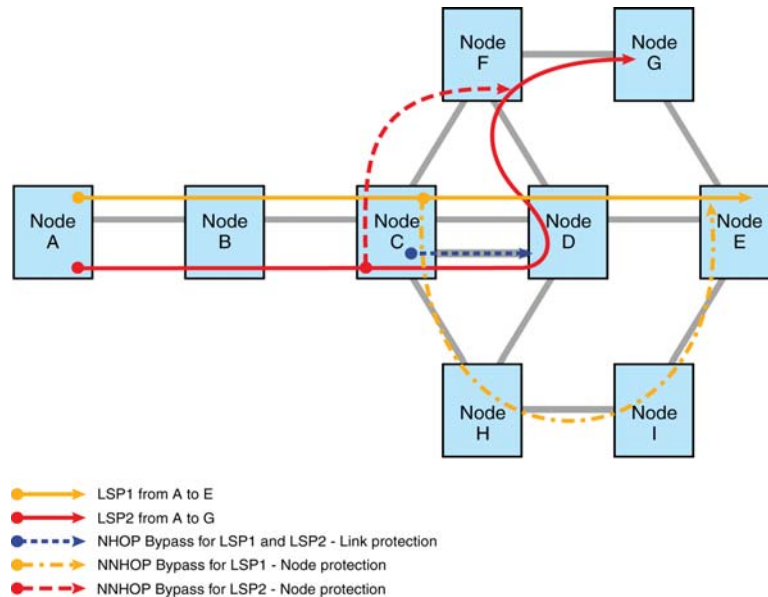
Configuration parameters, such as bandwidth, hop-limit, and priority are set when creating the dynamic bypass LSP. The system makes use of these parameters when creating a new dynamic bypass LSP. Modifications on these parameters are taken into consideration during the next cycle of re-optimization or can be manually initiated at the interface level re-optimization.

Bandwidth of the newly triggered bypass LSP is zero by default, unless it has an explicit configuration. When a new facility protected LSP requests a bandwidth which cannot be accommodated within an existing dynamic bypass LSP, there is no automatic make-before-break for the existing dynamic bypass LSP. Instead, a new dynamic bypass is created, depending on the configurations and system limits.

# 1 Dynamic Bypass LSPs

A link which is protected by the bypass LSP is called a protected-link, protected interface, or an excluded interface. Multiple facility protected LSPs use a common downstream link which becomes a protected link for all of them. This signifies that there is at least one dynamic bypass LSP to the NHOP (node connected by the interface) and many NNHOP dynamic bypass LSPs based on the path taken by the facility protected LSP. Similarly, there are bypass LSPs to several different NNNHOP nodes. Figure 24 shown below is an example:

**FIGURE 24 Two facility protected LSPs using a common link**



Two facility Protected LSPs use a common link between Node C and D.  
For this protected interface there can be one common NHOP Bypass,  
two different NNHOP Bypasses.

## Configuration considerations

- Dynamic bypass LSP modification (make-before-break (MBB)) is not supported except for a case of re-optimization. When a new protected LSP requests more bandwidth, no automatic MBB is performed for the existing dynamic bypass LSP. Re-optimization makes use of make-before-break, to modify the LSP, so it can create the new instance of the dynamic bypass LSP. The newly created dynamic bypass LSP uses the latest attributes from the global and interface level dynamic bypass configurations. Re-optimization is carried out as to a re-optimization timer expiry.
- Dynamic bypass optimization with modified bandwidth is performed using MBB during the optimization process (timer expiry or user initiated). No detour or backup re-optimization to minimize dynamic bypass LSPs is completed in this release. Here, the 'detour/backup re-optimization' does not refer to LSP path re-optimization; it refers to the realignment of backup paths on the bypass LSPs so there is a minimum number of bypasses with optimal use of their bandwidths.
- One dynamic bypass is created and ten backups occupy this dynamic bypass.
- A second dynamic bypass is created and the 11th backup occupies this dynamic bypass.
- After some time, one backup from the first dynamic bypass goes away, which leave one megabyte per second unoccupied in the first dynamic bypass.

- Now the first dynamic bypass has nine megabits per second and the second dynamic bypass has one megabyte per second occupied and there are 10 backup paths. Look at this at a bandwidth use optimization point of view; all 10 backups are accommodated in only one dynamic bypass LSP. Having an algorithm which realigns the backups so there is only one dynamic bypass, instead of two bypasses is not supported in this release.
- All dynamic bypass creation or reuse by a protected path depends on the protected LSP backup path request triggers. This means a backup path established over a dynamic bypass depends on a protected path request and retries.
- Node or link protection attributes are signaled through the session attributes of the protected LSP. Based on the protected path requested backup protection type, node or link protection dynamic bypasses are created.
- Deciding on a possible merge point from a PLR on an existing dynamic bypass LSP depends on the existing backup path re-setup mechanism. A failure in the existing dynamic bypass LSP leads to a new backup retry from a protected LSP PLR and is considered as new backup path setup sequence.
- Dynamic bypass LSP functionality as a bypass LSP is by way of an existing bypass LSP. All timer driven or user initiated re-optimization MBB is the same as the existing bypass LSP MBB.
- Dynamic bypass LSP modification (make-before-break) is not allowed, except for a case of re-optimization. When a new protected LSP requests more bandwidth, no automatic MBB is performed for the existing dynamic bypass LSP. Re-optimization makes use of make-before-break, to modify the LSP, so it can create the new instance of the dynamic bypass LSP. The newly created dynamic bypass LSP uses the latest attributes from the global and interface level dynamic bypass configurations. Re-optimization is carried out upon a re-optimization timer expiry.
- The total number of bypass LSPs that are created on a device is limited to 1000. This is due to an existing limitation relating to number and content of next-hop entries. This limit of 1000 is applicable for the cumulative total of both the static and dynamic bypass LSPs. Therefore, the maximum number of dynamic bypass LSPs created on a system is always equal to (1000 – (current number of configured static bypass LSPs)).
- Dynamic bypass optimization with a modified bandwidth is performed using MBB during the optimization process (timer expiry or user initiated). No detour or backup re-optimization to minimize dynamic bypass LSPs is completed in this release.
- Dynamic bypass interface mean bandwidth validation with MPLS interface maximum or reservable bandwidth is not completed because MPLS interface bandwidth changes dynamically based on configurations like LAG.

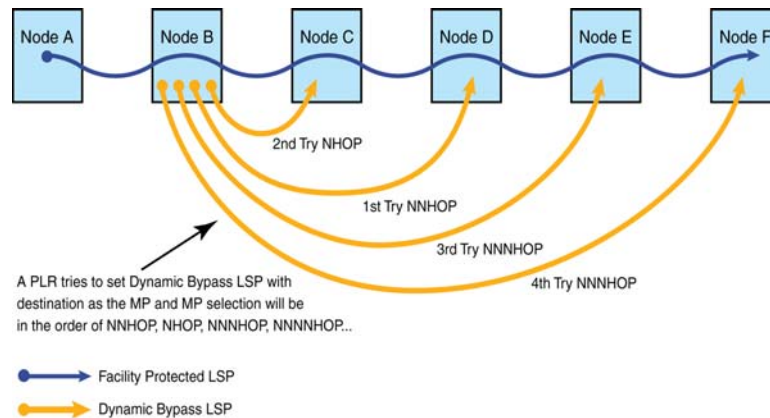
## Creating a dynamic bypass LSP

The dynamic bypass LSP feature is activated by enabling the dynamic bypass at the global level under the router MPLS and dynamic-bypass.

Dynamic bypass LSP creation is controlled by a combination of control at global level and the interface level. A MPLS interface with dynamic bypass enabled is able to create dynamic bypass LSP to provide backup path for protected LSP traversing out of this interface. Refer to [Figure 25](#) for creating a dynamic bypass LSP.

**FIGURE 25** Creating a dynamic bypass LSP

# 1 Dynamic Bypass LSPs



Facility protected LSP PLR will originate Dynamic Bypass LSP with Merge Point as destination.

Merge point selection for dynamic bypass creation use the existing order of backup path Merge Point selection. If node protection is not requested, reverse the order of steps 1 and 2.

1. Tries to create a Dynamic bypass LSP to NNHOP Merge Point
2. If step 1 fails, then tries to create a Dynamic bypass LSP to NHOP Merge Point
3. If step 2 fails, then tries to create a Dynamic bypass LSP to NNNHOP Merge Point
4. If step 3 fails, then tries to create a Dynamic bypass LSP to NNNNHOP Merge Point
5. and so on, till the Protected LSP destination node is Merge Point

Dynamic bypass LSP creation must meet the following criteria:

- There are no existing static bypass or dynamic bypass LSPs to satisfy the facility protected LSP backup path request.
- Dynamic bypass is allowed to be created under current configuration for the protected interface.
- Dynamic bypass creation does not exceed the configured or default system limits under current state.
- There is a path available to setup the dynamic bypass LSP to fulfill backup request constraints.
- Facility protected LSP PLR originate the dynamic bypass LSP with a merge point as the destination.
- Merge point selection for dynamic bypass creation uses the existing order of backup path merge point selection. When node protection is not requested, reverse the order of step 1 and 2.

Steps:

1. Tries to create a dynamic bypass LSP to NNHOP merge point.
2. When step 1 fails, then attempts to create a dynamic bypass LSP to NHOP merge point.
3. When step 2 fails, then attempts to create a dynamic bypass LSP to NNNHOP merge point.
4. When step 3 fails, then attempts to create a dynamic bypass LSP to NNNNHOP merge point.
5. This continues until the protected LSP destination node is merge point.

## Configuration steps

Any modifications to the dynamic bypass interface or the router mode configuration parameters are applied to the new creation of dynamic bypass LSPs.

Dynamic bypass parameter changes made at the interface level only apply to the existing dynamic bypass LSPs protecting this interface, when triggered by events such as timer or user intervention.

The configurable parameters include, but are not limited to: bandwidth, hop-limit, priority, cos, adaptiveness, and primary path. These apply to all dynamic bypass LSPs created to protect this interface.

The dynamic bypass feature configurations steps are as follows:

1. Enable dynamic bypass on MPLS router mode.
2. Set global dynamic bypass configurable parameters. This step is optional.
3. To enable a dynamic bypass on all the MPLS interfaces without going to each individual interface, use the `enable-all-interfaces` command in the global mode. Otherwise, go to next step to enable dynamic bypass on individual MPLS interfaces and customize the way in which dynamic bypass get created for a protected interface. The user can also override the `enable-all-interfaces` commands effect on individual MPLS interfaces by configuring the dynamic bypass in those interfaces explicitly as in the next steps. This step is optional.
4. Enable a dynamic bypass on one or more MPLS interfaces. This step is optional when using step 3.
5. Set interface level dynamic bypass configurable parameters. This step is optional.

## Configuring the dynamic bypass LSP

A link protecting bypass has its source as the protected link's near end node and the destination as the protected link's far end node. The link protecting the bypass does not require it to pass through the directly connected link from source to destination.

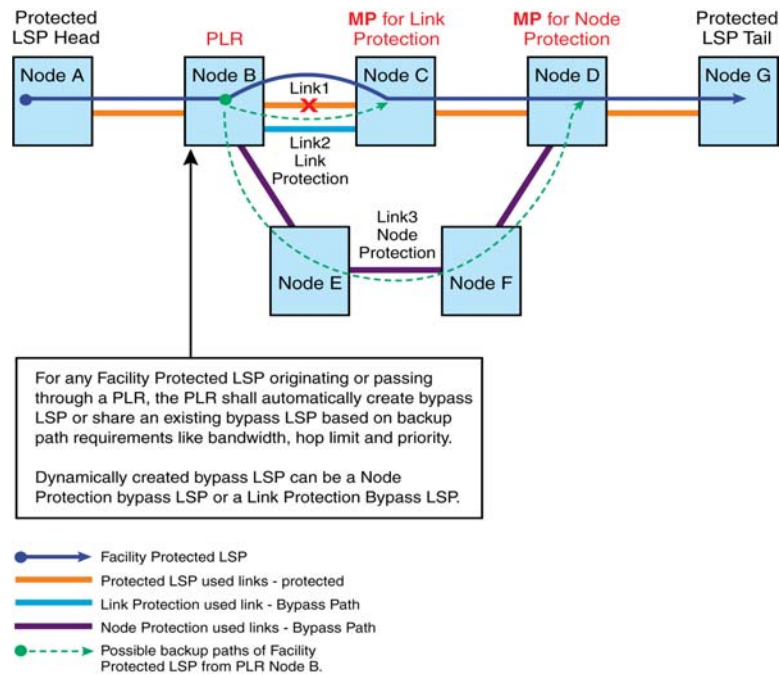
A node that protects the bypass may have any downstream node (of protected LSP) as its destination node, with the exception of the protected link's far end node.

## Network diagram

A simple topology for dynamic bypass LSP illustration is as shown in [Figure 26](#) below. A protected LSP with facility backup FRR enabled is setup from node A to G passing through node B, C and D. LSP uses link 1 between node B and node C. Node B is one of the PLR for the protected LSP.

**FIGURE 26** Dynamically created bypass LSP

# 1 Dynamic Bypass LSPs



## Globally enabling dynamic bypass

Using the `dynamic-bypass` command in MPLS router configuration mode for the first time enables the dynamic bypass feature in the system. When using the `dynamic-bypass` command in the MPLS router configuration mode which is already configured, there is no change in the existing status (enabled or disabled) of global dynamic bypass. To enable the dynamic bypass on MPLS router mode, enter a commands such as the following.

```
Brocade(config-mpls)# dynamic-bypass
Brocade(config-mpls-dynamic-bypass)# enable
```

Syntax: `[no] dynamic-bypass`

Syntax: `[no] enable`

The `[no]` form of the command disables the feature on the router.

## Enabling all interfaces

Use the `enable-all-interfaces` command to enable dynamic bypass on all MPLS interfaces on a router. This is applicable to all MPLS interfaces where the user has not configured dynamic bypass manually. To set the optional global dynamic bypass configuration, enter a command such as the following.

```
Brocade(config-mpls-dynamic-bypass)# enable-all-interfaces
Brocade(config-mpls-dynamic-bypass)#
```

Syntax: `[no] enable-all-interfaces`

Use the [no] form of the command inside global dynamic-bypass configuration mode to disable dynamic bypass on all existing MPLS interfaces.

## Setting the maximum number of dynamic bypass LSPs

The maximum number of dynamic bypass LSP is configurable in global mode. This is the limit for the total number of dynamic bypass LSPs that can be created on a router. This number must be less than, or equal to, the global maximum number of bypass LSPs that can be configured on a router. The maximum number of bypass LSPs supported on a device is currently limited to 1000. This means that the maximum number of dynamic bypass LSP that can be configured on a system is always (1000 – (current number of configured Bypass LSPs)). When the max-bypasses limit is changed to a value which is less than current active number of dynamic bypasses, the limit is changed to the new value and this limit is considered for next new creations. Existing exceeding number dynamic bypasses are not deleted. To enable dynamic bypass on one or more MPLS interfaces, enter a command such as the following.

```
Brocade(config-mpls-dynamic-bypass)# max-bypasses 150
Brocade(config-mpls-dynamic-bypass)#
Syntax: [no] max-bypasses number
```

The *number* parameter is the maximum number of dynamic bypasses that can be created on the system.

Use the [no] form of the command to returns the settings to the default value.

## Setting the maximum number of dynamic bypass LSPs per MP

Use the max-bypasses-per-mp command to set the maximum number of dynamic bypass LSP configurable on a MPLS interface mode. This global value is taken as the interface mode maximum bypasses per MP default value. This is the limit for the total number of dynamic bypass LSPs created to a merge point corresponding to a protected interface. A PLR may have 'M' number of merge points with respect to a protected LSPs. There may be 'N' number of protected LSPs riding on an interface with dynamic bypass enabled. Max-bypasses configurations limits the maximum number of dynamic bypass LSPs to each merge point. When the max-bypasses-per-mp limit changes to a value which is less than the current active number of dynamic bypasses, the limit changes to the new value and this limit is considered for the next creations. Existing dynamic bypasses exceeding the new limit do not delete. When the max-bypasses-per-mp limit changes to a value which is more than the system max-bypasses limit, this creates a warning message.

Use the max-bypasses-per-mp command to change the maximum number of dynamic bypass LSP on a a MPLS interface mode.

```
Brocade(config-mpls-dynamic-bypass)# max-bypasses-per-mp 8
Brocade(config-mpls-dynamic-bypass)#
```

Syntax: [no] max-bypasses-per-mp *number*

Use the *number* parameter to set the maximum number of dynamic bypass that may be created to a merge point from a PLR. The range of valid values is from 1 to 1000. The default value is the same as the max-bypasses parameter value.

Use the [no] form of the command to return the settings to the default values.



## Setting the reoptimizer-timer

When the re-optimization value is set to a non-zero value and the timer sets the amount of seconds, the reoptimizer-timer command enables the dynamic bypass LSP re-optimization. The re-optimization timer value is configurable on all MPLS interface modes. The global set value is applicable to all dynamic bypass LSPs for which corresponding interface level re-optimization timer value is not set.

```
Brocade(config-mpls-dynamic-bypass)# reoptimize-timer 300
Brocade(config-mpls-dynamic-bypass)#
```

Syntax: [no] reoptimizer-timer *number*

Use the *number* parameter to set the re-optimization timer value in seconds for the dynamic bypass LSPs. The range of valid values is from 300 to 65535. The default value is zero, which means re-optimization is disabled.

Use the [no] form of the command to return the settings to the default value.

## Enabling dynamic bypass per interface

Use the enable-all-interfaces command to configure a dynamic bypass as enabled on a MPLS interface. There is no change in the dynamic bypass configured state (enabled or disabled), when already configured on the interface. When the user configures a dynamic bypass on a MPLS interface using this command, this is called a user configured interface level dynamic bypass configuration. Dynamic bypass is disabled, by default, in interface mode unless it is enabled through global configured enable-all-interfaces command.

When the dynamic bypass is already enabled on the interface through global enable-all-interfaces command, this command changes the interface status to the user configured interface level dynamic bypass configuration. When the user configures the interface level dynamic bypass to the disabled status, this command retains the existing disabled state. When an interface level dynamic bypass is enabled, a facility protected LSP does not use a dynamic bypass LSP.

Use the dynamic-bypass command to enable the dynamic bypass on a MPLS interface.

```
Brocade(config-mpls-if-e100-2/3)# dynamic-bypass
Brocade(config-mpls-if-e100-2/3-dynamic-bypass)#enable
```

Syntax: [no] dynamic-bypass

Syntax: enable

The [no] form of the command disables dynamic bypass on the MPLS interface.

## Setting the maximum number of dynamic bypass LSPs per MP

Use the max-bypassesper-mp command to set the maximum number of dynamic bypass LSPs that are configurable MPLS interface mode. This is the limit for total number of dynamic bypass LSPs that can be created to a merge point. When this parameter is not configured under interface mode, the global max-bypasses-per-mp parameter value is considered for this parameter. A PLR can have 'M' number of merge points with respect to a Protected LSP. There can be 'N' number of protected LSPs riding on an interface with a dynamic bypass enabled. By default, the maximum number of



dynamic bypasses per MP that can be created per MP is as per the corresponding global configuration. When the `max-bypasses-per-mp` limit is changed to a value which is less than the current active number of dynamic bypasses per mp, then the limit changes to the new value and used for the next new creations. Existing dynamic bypasses exceeding this number are not deleted.

```
Brocade(config-mpls-if-e100-2/3-dynamic-bypass)# max-bypasses-per-mp5
Brocade(config-mpls-if-e100-2/3-dynamic-bypass)#
```

Syntax: `[no] max-bypasses-per-mp number`

Use the `number` parameter to set the number of bypass LSPs that can be created to a MP router ID.

Use the `[no]` form of the command to return the settings to the global mode set `max-bypasses-per-mp` parameter value.

## Specifying the name prefix

Use the `name-prefix` interface command to specify a name prefix for the dynamic bypass LSP. When configured, the dynamic bypass LSPs have their LSP names starting with this name prefix, appended by interface IP and instance number. Default name for the prefix string is `dbyp`. The name prefix configuration is allowed only when there no existing dynamic bypasses corresponding to a dynamic bypass interface. When the user wants to change the name prefix, the user must disable the dynamic bypass on the interface and reconfigure the name prefix, then re-enable the dynamic bypass on the interface.

```
Brocade(config-mpls-if-e100-2/3-dynamic-bypass)# name-prefix "mydps"
Brocade(config-mpls-if-e100-2/3-dynamic-bypass)#
```

Syntax: `[no] name-prefix name-string`

Use the `name-string` parameter to name the prefix that has to be prefixed to the auto generated dynamic bypass LSP name while creating a dynamic bypass LSP.

The `[no]` form of the command returns the settings to default.

## Setting the priority

The `priority` command is an interface level setup and holding priority. This can be configured with priority levels from zero to seven for a dynamic Bypass LSP corresponding to a protected link. These priority values are used while creating dynamic bypass LSPs. By default, setup priority is seven and the hold priority is zero. When the interface mode priority values are not configured and there are riding backups on the dynamic bypass, the dynamic bypass reoptimization new holding priority is the maximum priority of the currently riding backups.

```
Brocade(config-mpls-if-e100-2/3-dynamic-bypass)# priority 3 6
Brocade(config-mpls-if-e100-2/3-dynamic-bypass)#
```

Syntax: `[no] priority [setuppriority | holding-priority]`

Use the `[setuppriority | holding-priority]` parameters to create a dynamic bypass.

Use the `[no]` form of the command to return the settings to the default value.

## Enabling the record route option

An interface level record route parameter can be configured for a dynamic bypass LSP corresponding to a protected link. Use the record command to enable or disable the dynamic bypass LSP record route options. Based on the value of this parameter, dynamic bypass LSPs are created with their record route option enabled or disabled.

```
Brocade(config-mpls-if-e100-2/3-dynamic-bypass)# record
Brocade(config-mpls-if-e100-2/3-dynamic-bypass)#
```

Syntax: [no] record

Use the [no] form of the command to disable the record route option. The interface dynamic bypass configuration shows 'no record'.

## Configuring non-adaptive LSPs

Dynamic Bypass LSPs are by default, adaptive in nature. There is a provision to create a dynamic bypass LSP with non-adaptive nature. When configured as no adaptive, this reflects on interface configuration as 'no adaptive' and any dynamic bypass LSP which is created further is non-adaptive by default. To re-enable the adaptive nature, use the adaptive command. Based on the value of this parameter, the dynamic bypass LSPs is created as an adaptive bypass LSP or non-adaptive bypass LSP.

```
Brocade(config-mpls-if-e100-2/3-dynamic-bypass)# no adaptive
Brocade(config-mpls-if-e100-2/3-dynamic-bypass)#
```

Use the [no] form of the command to disable the adaptive parameter. All of the dynamic bypasses to be created are non-adaptive. The interface dynamic bypass configuration shows 'no adaptive'.

## Configuring administrative groups

Use the interface level exclude-any | include-all | include-any command to configure administrative groups for dynamic bypass LSPs to be created corresponding to a protected link.

```
Brocade(config-mpls-if-e100-2/3-dynamic-bypass)# include-all 4 5
Brocade(config-mpls-if-e100-2/3-dynamic-bypass)#
```

Syntax: [no] include-all | include-any | exclude-any *group-no or name*

Use the *group-no or name* parameter for the following:

- include-all *group-no or name*: include all type admin group number or group name.
- include-any *group-no or name*: include any type admin group number or name.
- exclude-any *group-no or name*: include any type admin group number or name.

Group number value ranges for all three types are 0-31. The default value is *no admin group* configured for all three types.

Use the [no] form of the command to return the settings to the default value.

## Setting the reoptimize timer

Use the `reoptimize-timer` command to configure a reoptimization timer value for all the dynamic bypass LSPs that are being created corresponding to a protected interface. When configured, this value overrides the global mode configured value. Reoptimization can be disabled corresponding to an interface by setting it to value zero. When a dynamic bypass is non adaptive, the reoptimization timer is not be considered for the dynamic bypass LSP.

```
Brocade(config-mpls-if-e100-2/3-dynamic-bypass)# reoptimize-timer 300
Brocade(config-mpls-if-e100-2/3-dynamic-bypass)#
```

Syntax: `[no] reoptimize-timer number`

Use the `number` parameter to set the reoptimization timer value when creating dynamic bypass LSPs.

Use the `[no]` form of the command to return the settings to the global mode reoptimization timer value.

## Show commands

Use the `show mpls bypass-lsp` command for displaying all dynamic bypass LSPs along with static bypass LSPs. The same command is enhanced to filter out static and dynamic bypass LSPs. There is an option to list all bypass LSPs corresponding to an interface. Options for displaying dynamic bypass LSP.

```
Brocade# show mpls bypass-lsp static interface ethernet 2/11
LSP blsp01, to 10.22.22.22
  From: 10.11.11.11, admin: UP, status: UP, tunnel interface(primary path): tn11
  Times primary LSP goes up since enabled: 1
  Maximum retries: NONE, no. of retries: 0
  Pri. path: bypas_path_1_2, up: yes, active: yes
  Setup priority: 7, hold priority: 0
  Max rate: 0 kbps, mean rate: 0 kbps, max burst: 0 bytes
  Constraint-based routing enabled: yes
  Path calculated using constraint-based routing: yes
  Path calculated using interface constraint: no
  Path cspf-group computation-mode: disabled, cost: 10
  Tie breaking: random, hop limit: 0
Active Path attributes:
  Tunnel interface: tn11, outbound interface: e2/2
  Tunnel index: 2, Tunnel instance: 1 outbound label: 3
  Auto-bandwidth is globally disabled.
  Explicit path hop count: 1
  10.4.4.2 (S)
Recorded routes:
  Protection codes: P: Local N: Node B: Bandwidth I: InUse
  10.4.4.2
exclude interface(s): e2/11
Tunnel bandwidth
Maximum BW: 0 kbps
Reservable BW [priority] kbps:
  [0] 0 [1] 0 [2] 0 [3] 0
  [4] 0 [5] 0 [6] 0 [7] 0
Riding ingress backup lsps: 1
State LSPname
UP lsp03
```

# 1 Dynamic Bypass LSPs

```
Number of active riding ingress backup lsps: 0
Number of inactive riding ingress backup lsps: 1
```

Syntax: `show mpls bypass-lsp static [brief |detail |extensive |interface ethernet lsp_name]`

- The `show mpls bypass-lsp` command is modified to include filtering based of static bypass types, dynamic bypass types and protected interface.
- The `show mpls summary (brief)` command output is modified to have an entry for total number of bypass LSPs in the system.
- The `show mpls lsp [detail | extensive ]` command output is modified such that for metric field does not display for static bypass and dynamic bypass LSPs.

Use the *lsp\_name* parameter to select the name of the LSP to display.

## Displaying dynamic bypass information

The `show mpls dynamic-bypass interface` command has three fields: Active Status, Admin Type, and Admin Status.

- **Admin Type:** Indicates dynamic bypass configuration on the interface is because of local (interface) or global (MPLS device) mode configuration.
- **Admin Status:** Indicates when the user has enabled the dynamic bypass on the interface. UP indicates interface dynamic bypass is admin config enabled, DOWN implies admin config disabled. This admin config represents user explicit interface config (when present), otherwise enable-all-interfaces (when present).
- **Active Status:** Enabled indicates net effect of global and local configuration enable leads to status is UP. Disabled indicates either local or global admin is DOWN and net effect is disabled add admin status.

## Displaying dynamic bypass information for an interface

Use the `show mpls dynamic-bypass` command to display bypass LSP information on a specific interface.

```
Brocade# show mpls dynamic-bypass interface detail
Dynamic bypass interface: e2/15, Active status: Enabled
Admin type: Local, admin status: UP
Hop limit: 255, Tie-breaking: random, cos: 0
Setup priority: 7, hold priority: 0
Max rate: 0 kbps, mean rate: 0 kbps, max burst: 0 bytes
From: 10.11.11.11, reoptimize timer: 0 secs
Adaptive: Yes, record route: enabled
Name prefix: dbyp, primary path: none
Max bypass per merge point: 111, total bypasses: 0
Total number of merge points 0
Dynamic bypass interface: e3/1, Active status: Enabled
Admin type: Global, admin status: UP
Hop limit: 255, Tie-breaking: random, cos: 0
Setup priority: 7, hold priority: 0
Max rate: 0 kbps, mean rate: 0 kbps, max burst: 0 bytes
From: 10.11.11.11, reoptimize timer: 0 secs
Adaptive: Yes, record route: enabled
```

```

Name prefix: dbyp, primary path: none Max bypass per merge point: 111, total
bypasses: 0
Total number of merge points 0
Dynamic bypass interface: e3/3, Active status: Enabled
Admin type: Local, admin status: UP
Hop limit: 255, Tie-breaking: random, cos: 0
Setup priority: 7, hold priority: 0
Max rate: 1000 kbps, mean rate: 1000 kbps, max burst: 1000000 bytes
From: 10.11.11.11, reoptimize timer: 0 secs
Adaptive: Yes, record route: enabled
Name prefix: dbyp, primary path: none
Max bypass per merge point: 111, total bypasses: 2
Total number of merge points 2
Merge Point          Bypass count
10.22.22.22          1
10.33.33.33          1
Dynamic bypass interface: e4/8, Active status: Enabled
Admin type: Global, admin status: UP
Hop limit: 255, Tie-breaking: random, cos: 0
Setup priority: 7, hold priority: 0
Max rate: 0 kbps, mean rate: 0 kbps, max burst: 0 bytes
From: 10.11.11.11, reoptimize timer: 0 secs
Adaptive: Yes, record route: enabled
Name prefix: dbyp, primary path: none
Max bypass per merge point: 111, total bypasses: 0
Total number of merge points 0

```

Syntax: `show mpls dynamic-bypass [interface|interface detail |interface ethernet ] lsp_name`

Use the `lsp_name` parameter to select the name of the LSP to display.

## Displaying the number of bypass LSPs

The `show mpls summary` command output has an additional information on the total number of bypass LSPs in the system. This total number is the sum of the configured static and dynamic bypasses in the system.

```

Brocade# show mpls summary
Path:
          Paths configured      =      6

RSVP-Signaled LSPs:
          LSPs configured       =      8
          LSPs enabled          =      8
          LSPs operational      =      8
          Detour LSPs UP        =      0
          Backup LSPs UP        =      2
          Bypass LSPs          =      2
          Bypass LSPs UP        =      2

LDP-Signaled LSPs:
          LSPs operational      =      0

VPLSs:
          VPLSs configured      =      2
          VPLS peers            =      2
          Peers operational     =      2

```

# 1 Dynamic Bypass LSPs

```
VLLs:
    VLLs configured      =    2
    VLL peers           =    2
    Peers operational    =    2

Local VLLs:
    VLLs configured      =    0
    VLLs operational     =    0
```

Syntax: show mpls summary

## Displaying dynamic bypass information

Use the show mpls config to display all dynamic bypass global and interface configurations.

Global or interface dynamic bypass default configurations do not display in show config except for 'enable'. A user disabled 'adaptive' and 'record' options display as 'no adaptive' and 'no record', respectively.

No dynamic-bypass configurations are shown on interfaces on which a dynamic bypass is enabled through enable-all-interfaces command. Once the user configures at least one dynamic bypass command in interface mode, that interface is considered to be a user configured dynamic bypass interface and the parameters display in the interface configuration.

```
Brocade# show mpls config
router mpls
  policy
    . . .

  dynamic-bypass
    enable
    enable-all-interfaces
    max-bypasses 150
    max-bypasses-per-mp 6
    reoptimize-timer 300

mpls-interface e2/3
  . . .
  dynamic-bypass
    enable
    max-bypasses-per-mp 5
    primary-path dynbypasspath1
    traffic-eng mean-rate 1000
    reoptimize-timer 100
    priority 3 6
    hop-limit 4
    tie-breaking least-fill
    record
    cos 4
    include-any 4 5
    include-all 1 2
    exclude-all 3 6
    from 10.11.11.11
    no adaptive
    name-prefix DBypass
```

Syntax: show mpls config

## Sample configurations

### Global dynamic bypass configuration example

```
Brocade(config-mpls)# dynamic-bypass
Brocade(config-mpls-dynamic-bypass)# enable
Brocade(config-mpls-dynamic-bypass)# enable-all-interfaces
Brocade(config-mpls-dynamic-bypass)# max-bypasses 150
Brocade(config-mpls-dynamic-bypass)# max-bypasses-per-mp 8
Brocade(config-mpls-dynamic-bypass)# reoptimize-timer 300
Brocade(config-mpls-dynamic-bypass)# disable
```

### Dynamic bypass interface configuration example

```
Brocade(config-mpls-if-e100-2/3)# dynamic-bypass
Brocade(config-mpls-if-e100-2/3-dynamic-bypass)# enable
Brocade(config-mpls-if-e100-2/3-dynamic-bypass)# max-bypasses-per-mp 6
Brocade(config-mpls-if-e100-2/3-dynamic-bypass)# primary-path "mydbyp-path"
Brocade(config-mpls-if-e100-2/3-dynamic-bypass)# traffic-eng mean-rate 1000
Brocade(config-mpls-if-e100-2/3-dynamic-bypass)# reoptimize-timer 300
Brocade(config-mpls-if-e100-2/3-dynamic-bypass)# priority 3 6
Brocade(config-mpls-if-e100-2/3-dynamic-bypass)# hop-limit 4
Brocade(config-mpls-if-e100-2/3-dynamic-bypass)# tie-breaking least-fill
Brocade(config-mpls-if-e100-2/3-dynamic-bypass)# record
Brocade(config-mpls-if-e100-2/3-dynamic-bypass)# cos 4
Brocade(config-mpls-if-e100-2/3-dynamic-bypass)# include-any 4 5
Brocade(config-mpls-if-e100-2/3-dynamic-bypass)# include-all 1 2
Brocade(config-mpls-if-e100-2/3-dynamic-bypass)# exclude-all 3 6
Brocade(config-mpls-if-e100-2/3-dynamic-bypass)# from 10.11.11.11
Brocade(config-mpls-if-e100-2/3-dynamic-bypass)# no adaptive
Brocade(config-mpls-if-e100-2/3-dynamic-bypass)# name-prefix "MyDbyp"
Brocade(config-mpls-if-e100-2/3-dynamic-bypass)# reoptimize
Brocade(config-mpls-if-e100-2/3-dynamic-bypass)# disable
```

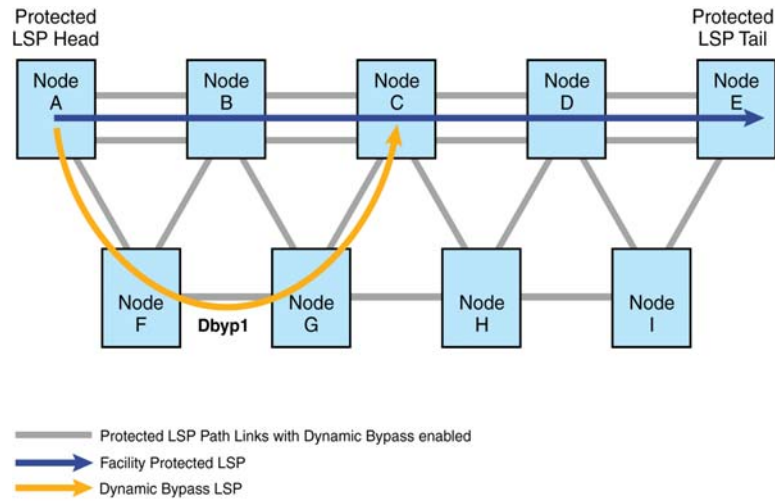
## Supported scenarios

### Scenario A: Dynamic bypass creation to NNHOP

A facility protected LSP triggers the creation of a dynamic bypass LSP. A dynamic bypass LSPs destination is based on the merge point selection order of FRR backup path. When there is an existing static or dynamic bypass that satisfies the backup path constraints, it chooses to ride the backup LSP or it creates new dynamic bypass. A path is calculated by considering NNHOP as the first destination. When the path computation is successful, the dynamic bypass is signaled. This creates a node protection dynamic bypass LSP as shown in [Figure 27](#) below.

**FIGURE 27** Automatic creation of dynamic creation and merge point selection

# 1 Dynamic Bypass LSPs



Auto creation of Dynamic Bypass LSP and Merge Point selection.

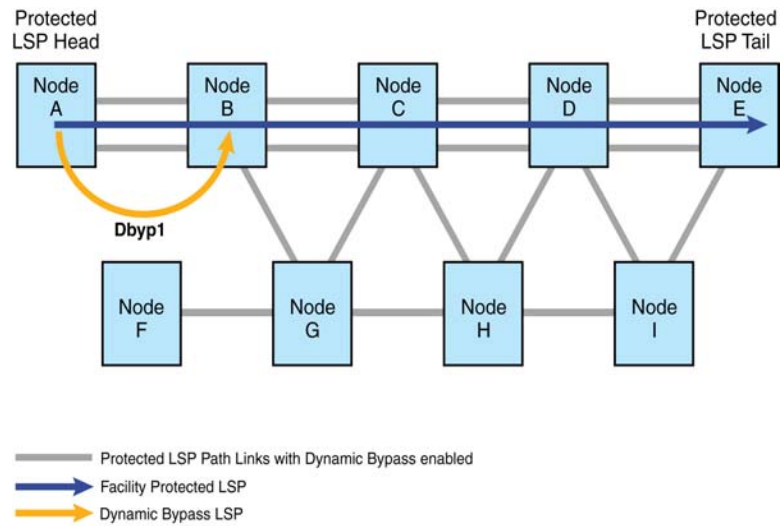
- NNHOP MP first - Tries to create a dynamic bypass LSP to NNHOP Node
- If Path to NNHOP not available then tries to create a dynamic bypass LSP to NHOP Node
- If Path to NHOP not available then tries to create a dynamic bypass LSP to NNNHOP Node
- If Path to NNNHOP not available then tries to create a dynamic bypass LSP to NNNNHOP Node

## Scenario B: Dynamic bypass creation to NHOP

When the path computation to NNHOP node fails, a path is calculated by considering NHOP as the destination. When the path computation is successful, the dynamic bypass is signaled. This creates a link protection dynamic bypass LSP as shown in [Figure 28](#) below.

FIGURE 28 Dynamic bypass creation to NHOP





Auto creation of Dynamic Bypass LSP and Merge Point selection.

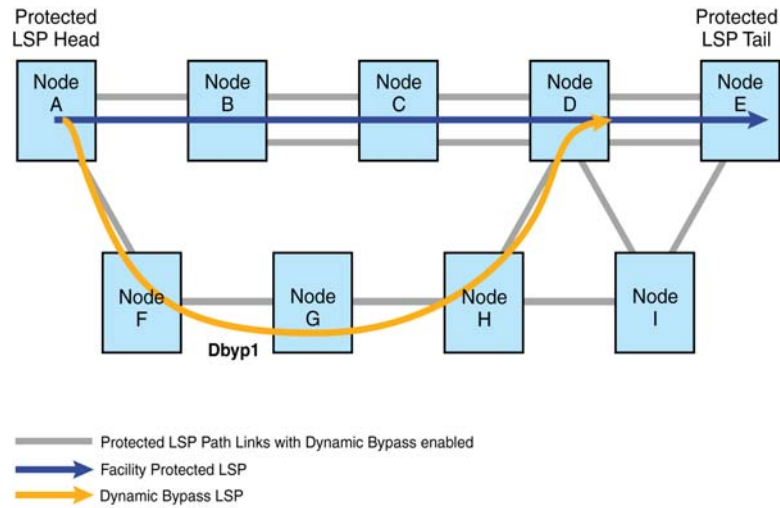
- NNHOP MP first - Tries to create a dynamic bypass LSP to NNHOP Node
- If Path to NNHOP not available then tries to create a dynamic bypass LSP to NHOP Node
- If Path to NHOP not available then tries to create a dynamic bypass LSP to NNNHOP Node
- If Path to NNNHOP not available then tries to create a dynamic bypass LSP to NNNNHOP Node

### Scenario C: Dynamic bypass creation to NNNHOP

When a path computation to NHOP node fails, a path is calculated by considering NNNHOP as the destination. When a path computation is successful, the dynamic bypass is signaled. This creates a node protection dynamic bypass LSP as shown in [Figure 29](#) below:

**FIGURE 29** Dynamic bypass creation to NNNHOP

# 1 Dynamic Bypass LSPs



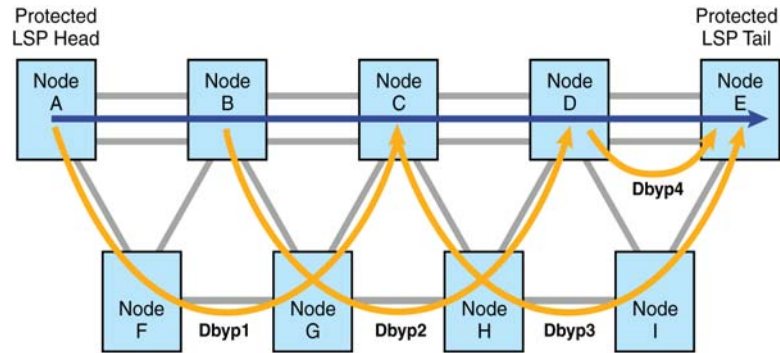
Auto creation of Dynamic Bypass LSP and Merge Point selection.

- NNHOP MP first - Tries to create a dynamic bypass LSP to NNHOP Node
- If Path to NNHOP not available then tries to create a dynamic bypass LSP to NHOP Node
- If Path to NHOP not available then tries to create a dynamic bypass LSP to NNNHOP Node
- If Path to NNNHOP not available then tries to create a dynamic bypass LSP to NNNNHOP Node

## Scenario D: Dynamic bypass creation from all PLRs

Dynamic bypass LSP creation on a fully connected network is as below. When there is path available, All PLRs, except penultimate node, creates dynamic bypass LSPs with node protection. This is illustrated in [Figure 30](#) below:

**FIGURE 30** Automatic creation of a dynamic bypass LSP for a facility protected LSP



— Protected LSP Path Links with Dynamic Bypass enabled  
→ Facility Protected LSP  
→ Dynamic Bypass LSP

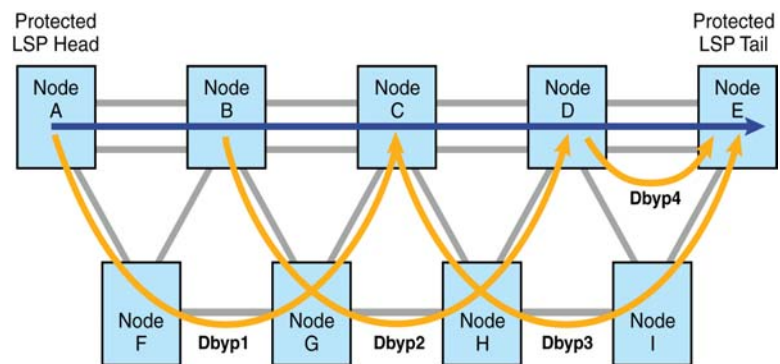
Auto creation of Dynamic Bypass LSP for a Facility Protected LSP.

- PLR A, B, C creates dynamic Bypass to NNHOP - Node protection
- PLR D creates dynamic Bypass to NHOP - Link protection

### Scenario E: Dynamic bypass creation from all PLRs

Dynamic bypass LSP creation on a fully connected network is as below. When there is a path available, all PLRs, except penultimate node, creates dynamic bypass LSPs with node protection. This is illustrated in [Figure 31](#) below.

**FIGURE 31** Dynamic bypass creation from all PLRs



— Protected LSP Path Links with Dynamic Bypass enabled  
→ Facility Protected LSP  
→ Dynamic Bypass LSP

Auto creation of Dynamic Bypass LSP for a Facility Protected LSP.

- PLR A, B, C creates dynamic Bypass to NNHOP - Node protection
- PLR D creates dynamic Bypass to NHOP - Link protection

### Scenario F: Dynamic bypass creation with link protection at PLRs

When there is no path for NNHOP node protection and there is path for NHOP, link protection dynamic bypass LSP is created as shown in Figure 32, Figure 33, and Figure 34 below.

FIGURE 32 Dynamic bypass creation with link protection PLRs.a

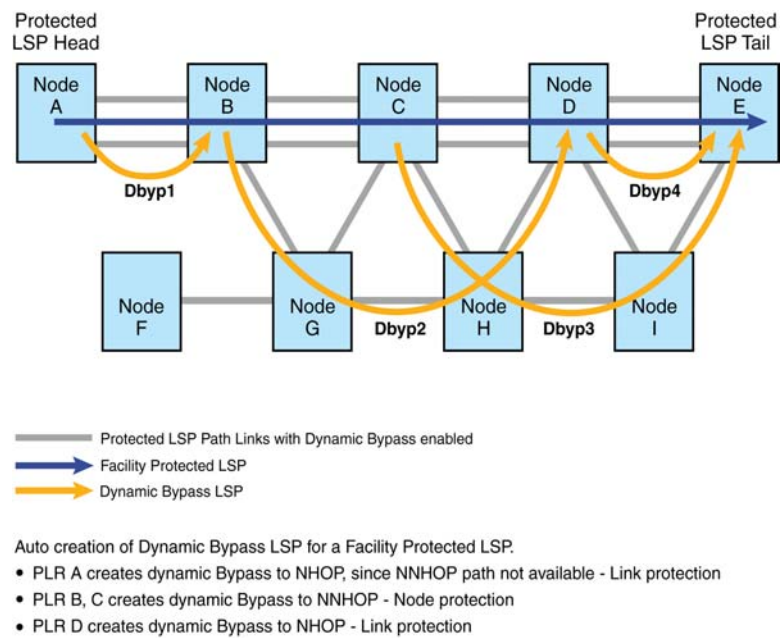


FIGURE 33 Dynamic bypass creation with link protection PLRs.b

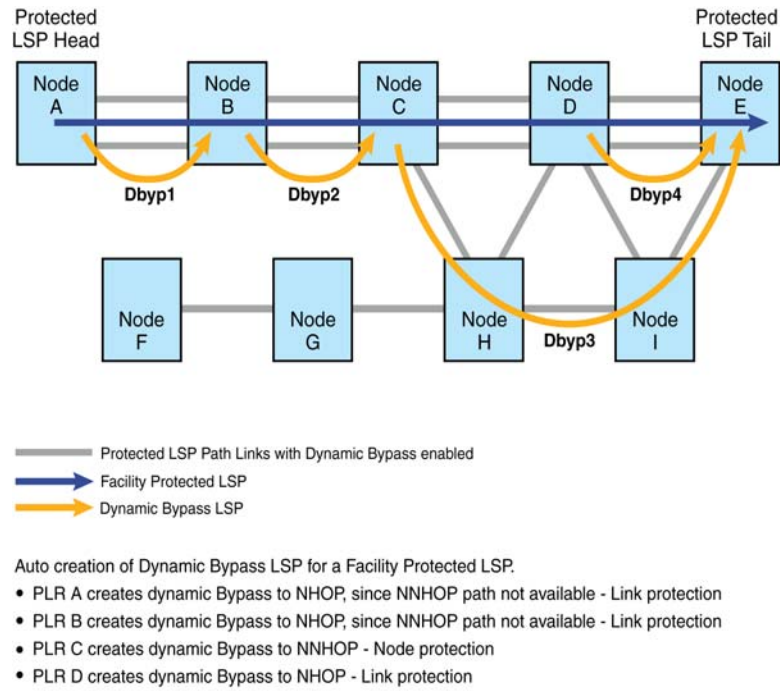
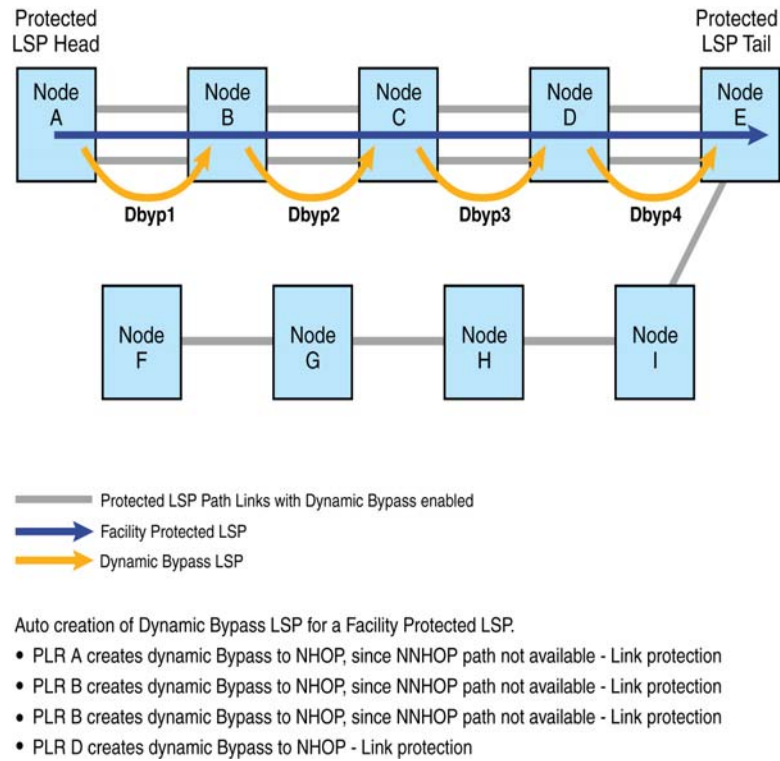


FIGURE 34 Dynamic bypass creation with link protection PLRs.c



## RSVP LSP with FRR

RSVP LSP with FRR (fast reroute) protection can use two different protection methods. This documentation will use the terms of detour backup and facility backup going forward for differentiation. Detour backup establishes backup path with detour sessions from PLR (point of local repair) to MP (merge point) while Facility backup uses bypass LSP as tunnel to establish backup path from PLR to MP. This feature focuses on the algorithm of facility backup path computation and allows you to change from existing very restricted qualification criteria of selecting bypass LSP to much relaxed set of criteria.

This feature is disabled by default and Bypass selection or Dynamic bypass creation for a backups is as per existing selection mechanism. When the user enables liberal bypass option, new Bypass selection, or dynamic bypass, creation comes into effect.

**TABLE 12** RSVP bypass LSP terms

Term	Meaning
FRR, Protected LSP	RSVP Fast Reroute enabled LSP.
PLR	FRR Point of Local Repair. Can be any node along Protected LSP path, except egress.
MP	FRR Merge Point. Can be any node along Protected LSP path, except ingress.
Backup Path	Facility backup FRR protecting path from PLR to MP.
Bypass LSP	LSP tunnels used by Backup paths for Facility backup FRR. Backup Paths Ride on Bypass LSP from PLR to MP. Bypass LSP provides N:1 FRR protection.
Static Bypass	User created Bypass LSP.
Dynamic Bypass	Bypass LSP which are created on demand, if there are no existing bypass LSPs satisfying backup Path constraints.
Backup Selection	Mechanism in which a protected LSP selects a Bypass LSP for its backup path at a PLR.

### Specifications

RSVP FRR LSP with detour backup or facility backup applies the same algorithm for backup path computation. The algorithm is designed to follow RFCs to avoid various issues intrinsic to detour backup type such as early session merging and bandwidth sharing. Because bypass LSP provide virtual tunnel to isolate the visibility of backup sessions and protected session, most of those issues are not present in the facility backup mode. Applying the same algorithm in the facility backup as in detour backup computation is to be very conservative. The only benefit of using the current conservative algorithm is to prevent a single failure triggering both the protected session and backup session failures at the same time. The restrictive algorithm can run into situations that no backup path can be established due to bypass LSPs cannot qualify under those restrictions, especially under certain less meshed topology such as single ring topology.

The steps of facility backup path computation, which involves selecting best qualified bypass LSP are:

Merge point selection: PLR backup query process first selects in the order of preferred merge point, based on ingress signaled property. Once a merge point is selected in the order of preference, it selects from the available bypass LSPs reaching this merge point. If no bypass LSP qualify to serve, it moves on to the next preferred merge point. The merge point preference order depends on if ingress signal with the node protection has the desired flag.

A: When the node protection desired flag is present, PLR goes through the merge point in the order of next-next-hop (if present, to achieve node protection), next-hop (link protection), hops after next-next-hop in sequence of traverse, if any are present.

B: When Node protection desired flag is not set, it simply selects the downstream next hops in sequence of traverse (example: next-hop, next-next-hop and so on).

Bypass LSP qualification:

A: Bypass LSP cannot traverse any link (forward directional) traversed by protected session from ingress of LSP to PLR.

B: Bypass LSP cannot traverses any link attached to nodes traversed by protected session between PLR and egress of LSP.

When there are more than the one bypass LSP qualified to serve for backup path, select the ones with lowest LSP cost, if the metric is considered. When there are more than one bypass LSP available with the lowest cost, it selects the one with the lowest number of riding backup sessions.

## Liberal bypass selection and liberal dynamic bypass

New facility backup computation mode applies an algorithm between an extremely conservative approach and an extremely liberal approach. The changes affect how the bypass LSP is qualified. There are no changes regarding the merge point selection or capability to disable providing node protection or tie breaker from multiple qualified bypass LSPs and how a dynamic bypass LSP path is chosen while creating a dynamic bypass.

For a bypass LSP to qualify for the backup path, it must pass following tests:

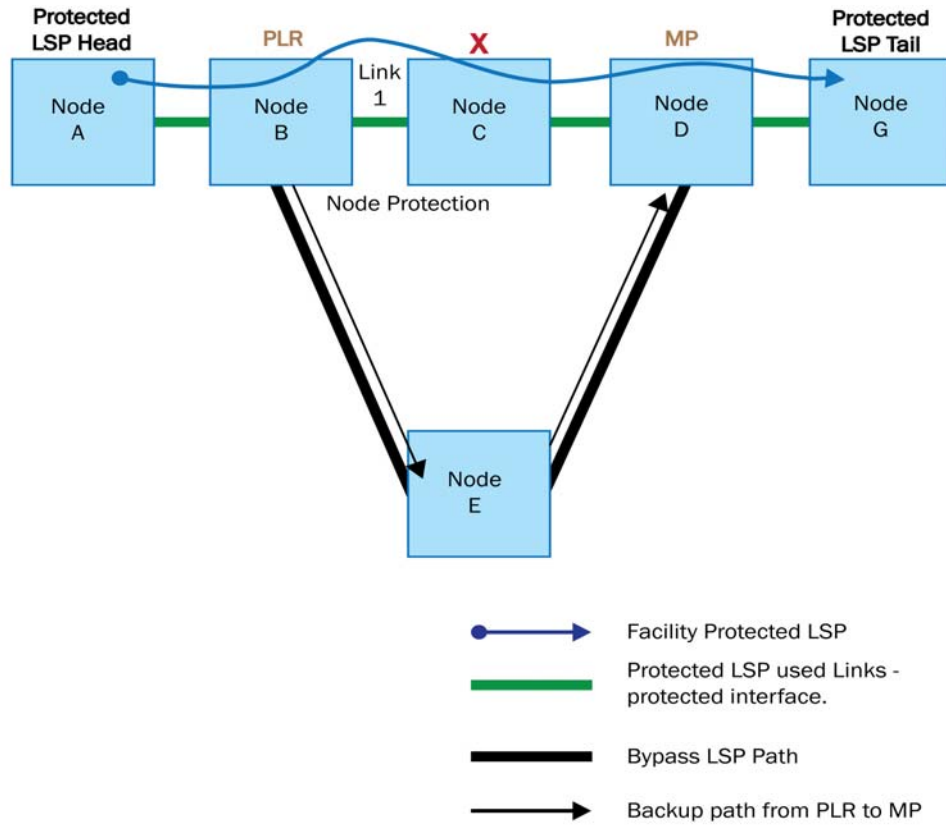
- Bypass LSP cannot traverse any forward direction links used by protected session.
- While the Liberal Bypass option is enabled, the bypass LSP cannot traverse any nodes between PLR and MP.
- Bypass LSP cannot reach MP where protected LSP is already in a repaired state.
- Bypass can traverse the nodes between MP and Egress.
- Bypass LSP cannot traverse the locally protected link (this is implicit because the bypass LSP is already avoided using protected interface).

In summary, all Bypass selection constraints remain same as per existing bypass selection except that the Bypass can traverse the nodes between the Protected LSP Merge Point and Egress.

# 1 Liberal bypass selection and liberal dynamic bypass

At present by default, Dynamic Bypass path computation excludes the nodes between MP and Egress. Now when Liberal Bypass is enabled, Dynamic Bypass creation path computation can compute Dynamic Bypass path including nodes between Merge Point and Egress of protected session.

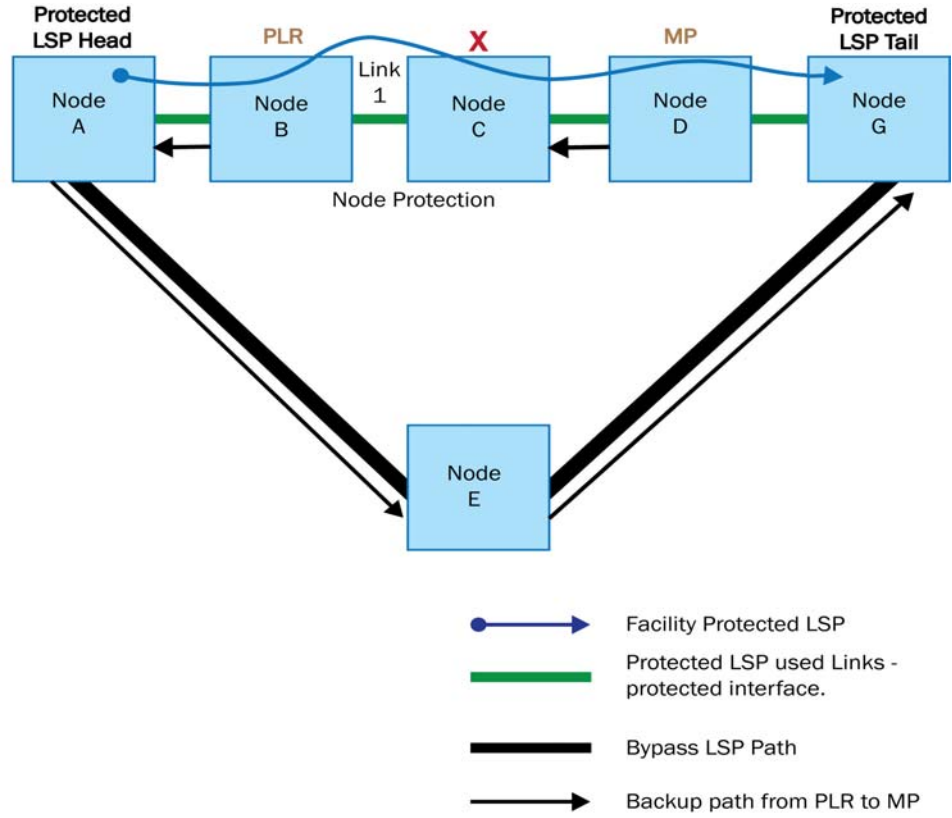
**FIGURE 35 Bypass LSP selection: cannot traverse any node between PLR and MP**



Bypass LSP Selection: can't traverse any node between PLR and MP



FIGURE 36 Bypass LSP selection: traversing the downstream node

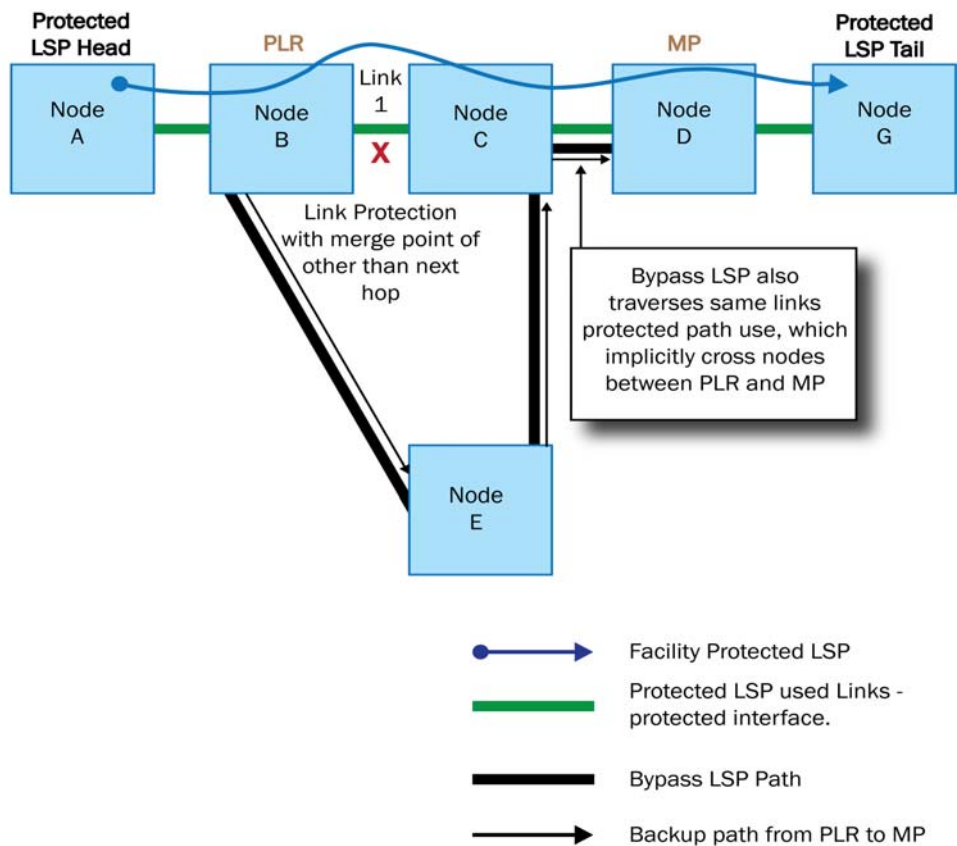


Bypass LSP Selection: traversing thr downstream node

# 1 Liberal bypass selection and liberal dynamic bypass

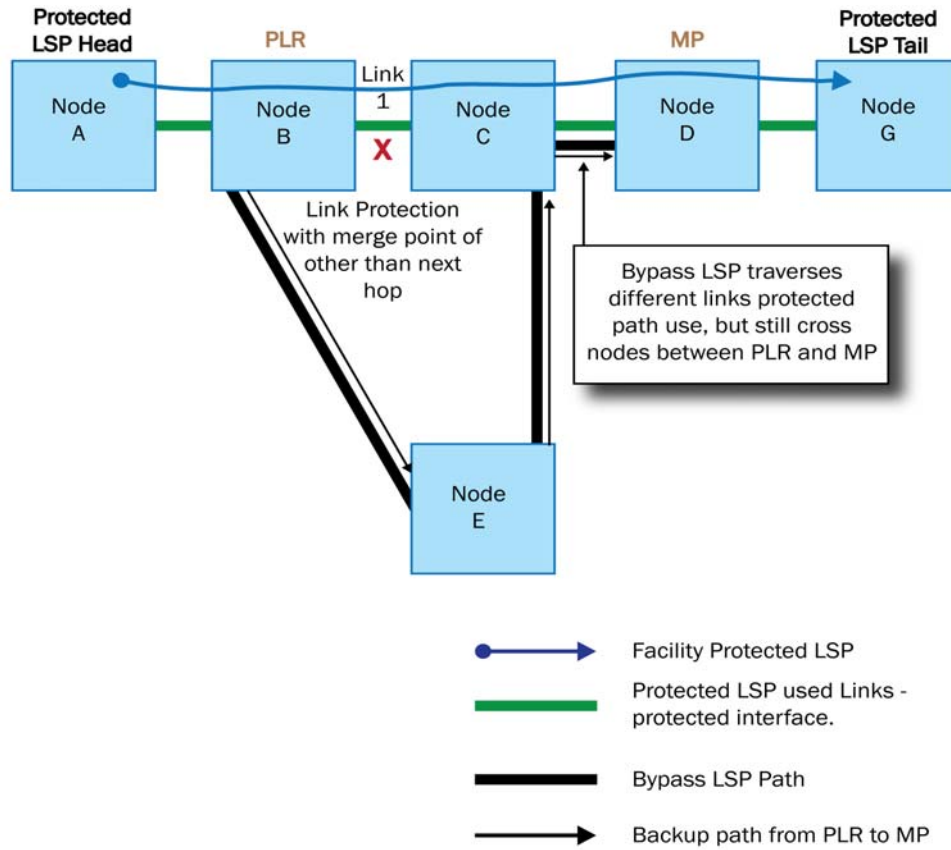
The following cases are NOT supported:

**FIGURE 37 Cannot traverse any link between PLR and MP**



Bypass LSP Selection: cannot traverse any link between PLR and MP

FIGURE 38 Cannot traverse any node between PLR and MP

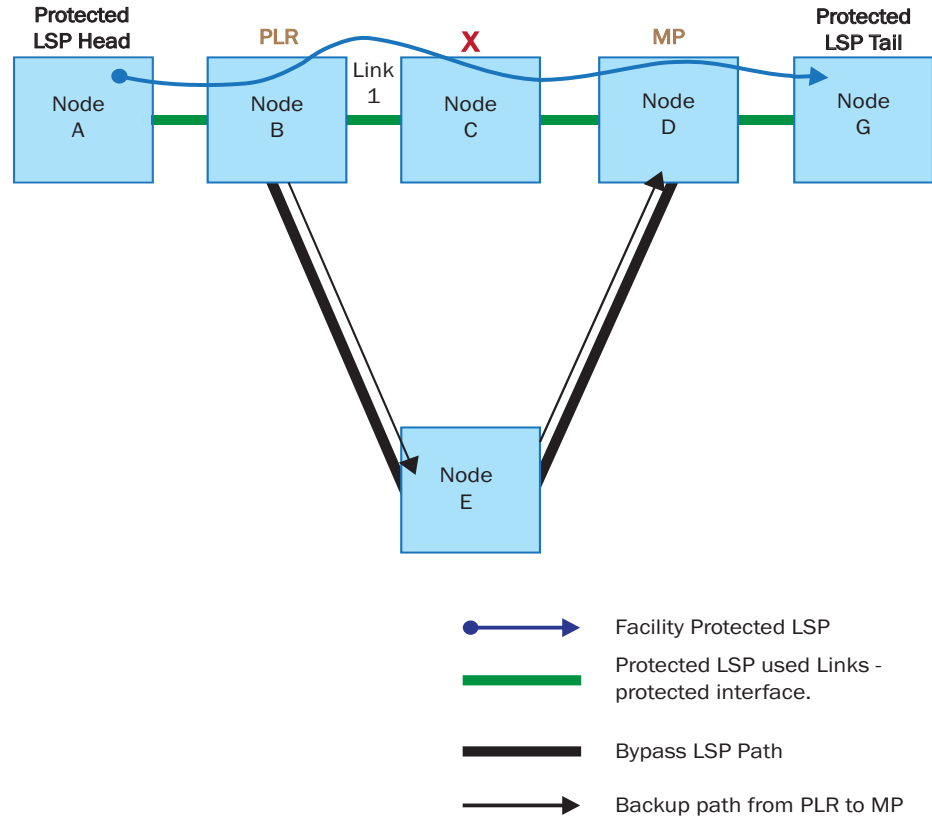


Bypass LSP Selection: cannot traverse any link between PLR and MP

# 1 Liberal bypass selection and liberal dynamic bypass

The following diagram illustrates the difference between node protection and link protection with merge point other than next hop:

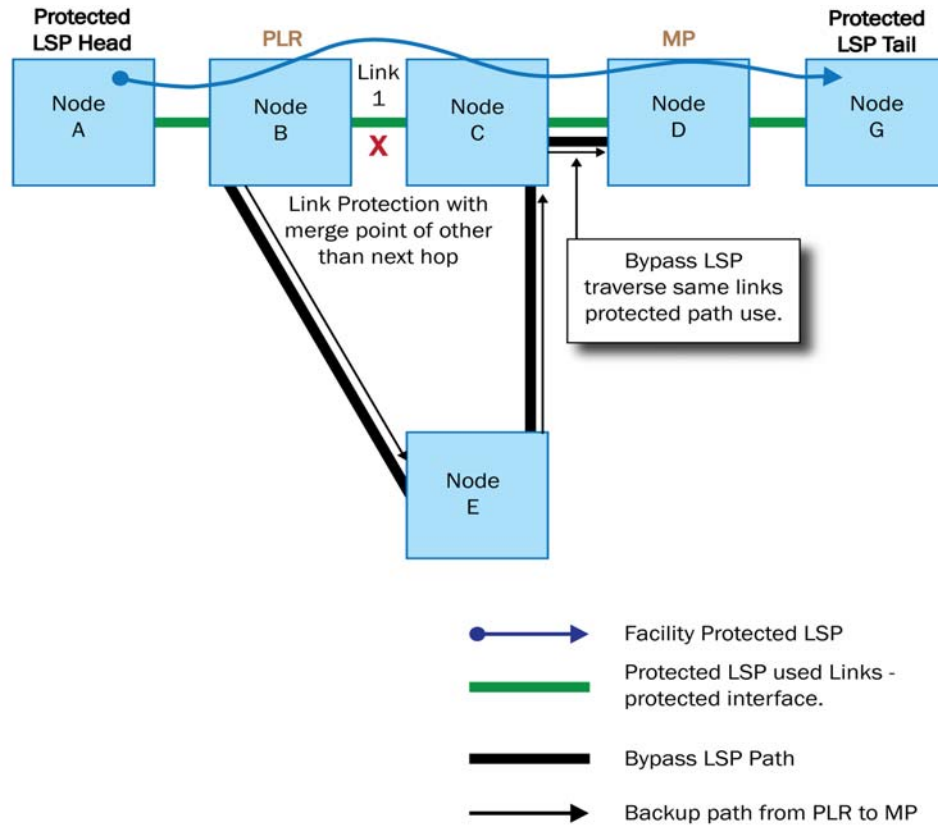
**FIGURE 39 True node protection**



True node protection

The bypass LSP provides link protection which does not need to bypass node C:

FIGURE 40 Potential link protection with traversing link or node between PLR and MP



Bypass LSP Selection: Potential link protection with traversing link/node between PLR and MP

## Backward compatibility

This is a software only feature and does not require special support from hardware. There are no backward compatibility issues as this feature is local to RSVP module regarding if the bypass LSP can serve as backup protection. With the new mode turned on, there can be additional bypass LSPs qualifying for the backup path.

## Limitations

New Dynamic bypass creation at upstream after a failure at any downstream of the FRR LSP might fail, do to router ID resolution.

This is applicable only if the dynamic bypass creation is triggered from the same FRR LSP with any of the downstream failed Link. The reasoning behind this is that a failed link IP in the avoid Node List is not reachable and its node ID cannot be resolved. In such a scenario, the path calculation to a new Dynamic bypass fails.

## Upgrade and downgrade considerations

The CLI changes are longer seen on a downgrade and the feature can lead to backup sessions not established due to more restricted qualification criteria in older releases.

## Commands

The following commands support this feature.

- `use-bypass-liberal`
- `show mpls config`
- `show mpls policy`
- `show mpls lsp [autobw-samples] name lsp_name autobw-sample]`

## use-bypass-liberal

The use-bypass-liberal command enables and disables backup query algorithm using minimum restrictions to qualify bypass LSP. The use-bypass-liberal command can be executed without restart and bypass LSP selection process uses the restricted or liberal mode, depending upon the current configuration. Changing the computation mode on the fly does not impact the already selected bypass LSPs. The [no] form of the command returns to the default status.

Syntax	[no][cspf-computation-mode][use-bypass-liberal]				
Command default	By default, the backup query uses full restrictions to qualify bypass LSP during a backup query.				
Parameters	use-bypass-liberal Use liberal mode for CSPF facility backup computation.				
Command modes	This command operates under the MPLS router mode by setting cspf-computation-mode to use-bypass-liberal (config-mpls-policy).				
Usage guidelines	This mode works in conjunction with cspf-computation-mode use-bypass-metric option.				
History	<table> <thead> <tr> <th>Release</th> <th>Command history</th> </tr> </thead> <tbody> <tr> <td><i>Multi-Service IronWare Release 05.6.00</i></td> <td>This command option use-bypass-liberal was introduced.</td> </tr> </tbody> </table>	Release	Command history	<i>Multi-Service IronWare Release 05.6.00</i>	This command option use-bypass-liberal was introduced.
Release	Command history				
<i>Multi-Service IronWare Release 05.6.00</i>	This command option use-bypass-liberal was introduced.				
Related commands	None.				

# 1 show mpls config

## show mpls config

The configuration which enables liberal mode displays as part of the command. By default, this option is disabled and not shown. This is different from the command of `cspf-computation-mode use-bypass-metric`, which shows disabled when not enabled.

**Syntax** `show mpls config [use-bypass-liberal]`

**Parameters** `use-bypass-liberal`  
Use liberal mode for CSPF facility backup computation.

**Command modes** This command operates under the MPLS router mode (`config-mpls-policy`).

**Usage guidelines** The configuration, `use-bypass-liberal`, is used when the user wants a bypass LSP, if available, to be used as a backup for a FRR which has limited constraints for calculating the path (for example, to allow it to reach the MP from downstream node).

### Command output

Output field	Description
<code>cspf-computation-mode use-bypass-metric</code>	TE metric of TE link for CSPF computation.
<code>cspf-computation-mode use-bypass-liberal</code>	Liberal mode for CSPF facility backup computation.

### Example

```
Brocade# show mpls config
router mpls
  policy
    cspf-computation-mode use-bypass-metric
    cspf-computation-mode use-bypass-liberal
    . . .
```

### History

Release	Command history
<i>Multi-Service IronWare R05.6.00</i>	The <code>show mpls config</code> command was enhanced to include <code>use-bypass-liberal</code> under the <code>cspf-computation-mode</code> command output line.
<i>Multi-Service IronWare R05.5.00</i>	This command was enhanced to display the label withdrawal delay setting.

**Related commands** None.



## show mpls policy

The configuration which enables liberal mode displays as part of the following command. Note that by default, this option is disabled and not shown. This is different from the command of `ospf-computation-mode use-bypass-metric`, which shows disabled when not enabled.

Syntax	show mpls policy
Parameter	None.
Command modes	The command operates under the MPLS policy sub-configuration mode ( <code>config-mpls-policy</code> ).
Usage guidelines	Use to display the current parameter settings configured under the MPLS policy mode.

Command output The show mpls policy command displays the following information.

Output field	Description
Current MPLS policy settings:	
CSPF interface constraint:	Directs the router to include the interface address as a constraint when it determines the shortest path.
CSPF-Group computation-mode:	Specifies the mode that is used when setting up a fate-sharing group.
CSPF computation-mode use bypass-metric:	TE metric of TE link for CSPF computation.
CSPF computation-mode use bypass-liberal:	Liberal mode for CSPF facility backup computation.
CSPF computation-mode:	Status of the cspf-computation at the global level.
TTL propagation for MPLS label:	Displays if the TTL propagation for MPLS label is enabled or disabled.
IPVPN:	Displays if IPVPN is enabled or disabled.
IP over MPLS:	Displays if IP over MPLS is enabled or disabled.
Inter-AS route filtering:	When the user enables inter-as-route filtering, the RTM does not send any inter-AS routes to MPLS.
Intra-AS iBGP route filtering:	Displays if Intra-AS iBGP route filtering is enabled or disabled.

### Example

```

Brocade# show mpls policy
Current MPLS policy settings:
  CSPF interface constraint: disabled
  CSPF-Group computation-mode: disabled
  CSPF computation-mode use bypass metric: disabled
  CSPF computation-mode use bypass liberal: enabled
  CSPF computation-mode: use te-metric(by default)
  TTL propagation for MPLS label: disabled, IPVPN: disabled, IP over MPLS: enabled
  Inter-AS route filtering: enabled, Intra-AS iBGP route filtering: disabled
  . . .

```

# 1 show mpls policy

## History

### Release

*Multi-Service NetIron Release 05.6.00*

### Command history

The show mpls policy command output was enhanced to include use bypass liberal under the CSPF computation-mode command output line.

## Related commands

None.

## show mpls lsp

The show mpls lsp command, detailed or extensive variant outputs, now has a modified Fast Reroute section.

Syntax	show mpls lsp [wide <i>frr_lsp</i> ]	
Parameters	<i>frr_lsp</i>	
Command modes	This command operates in all modes.	
Usage guidelines	Use to show FRR detailed or extensive display output.	
Command output	The show mpls lsp command displays the following information.	
	<b>Output field</b>	<b>Description</b>
	To:	The egress LER for the LSP.
	From:	The LSPs source address, configured with the from command. When a source IP address has not been specified for the LSP with the from command, and the LSP has not been enabled, then '(n/a)' is displayed in the 'From' field.
	admin:	The administrative state of the LSP. Once the user activates the LSP with the enable command, the administrative state changes from DOWN to UP.
	status:	The operational state of the LSP. This field indicates whether the LSP has been established through signaling and is capable of having packets forwarded through it. When the status of the LSP is DOWN, the reason why the LSP is down is shown in parentheses. There may be a short period of time after the user enables the LSP that the administrative state of the LSP is UP, but the status is DOWN. Once the LSP has been established through signaling, both the administrative state and the status is UP.
	tunnel interface (primary path):	The MPLS tunnel interface port ID.
	Times primary LSP goes up since enabled:	The number of times the status of the LSP's primary path has transitioned from DOWN to UP.
	Metric:	The metric for the LSP, configured with the metric command.
	Recorded routes:	The addresses recorded by the RECORD_ROUTE object during RSVP signalling.
	Fast Reroute:	The method of Fast Reroute configured for this LSP. Currently only one-to-one backup is available.
	Backup LSP:	
	out-label:	The outbound label used by the active path of the LSP.
	outbound interface:	The outbound interface taken by the active path of the LSP. when the egress interface is a VE-enabled interface, the VE interface ID specified by the <i>vid</i> variable is displayed here in the 'Outbound interface' field.
	bypass_lsp:	Name of the bypass LSP.
	cost:	The total cost of this path.
	Path cspf-group computation-mode:	Specifies the mode that is used when setting up a fate-sharing group.

# 1 IP Traceroute over MPLS

Output field	Description
cspf-computation-mode use-bypass-metric:	TE metric of TE link for CSPF computation.
cspf-computation-mode use-bypass-liberal:	Liberal mode for CSPF facility backup computation.
FRR Forwarding State:	Specifies the Fast Reroute state on the primary and secondary path.

## Example

```
Brocade# show mpls lsp name lsp04-3
LSP lsp04-3, to 10.44.44.44
  From: 10.11.11.11, admin: UP, status: UP, tunnel interface(primary path): tn10
  Times primary LSP goes up since enabled: 2
  Metric: 0
  . . .
Recorded routes:
  Protection codes/Rtr Id flag: P:Local N:Node B: Bandwidth I:InUse R: RtrId
  10.1.1.2 (PNB) -> 10.1.1.3 (PB) -> 10.1.1.4
  Fast Reroute: facility backup desired, node protection desired
  Bandwidth: 403 kbps
  Backup LSP: UP, out-label: 2048, outbound interface: e2/10 bypass_lsp:
  dbyp-10.1.1.1-1
  cost: 0
  cspf-group computation-mode: disabled
  cspf-computation-mode use-bypass-metric: disabled, use-bypass-liberal: enabled
  FRR Forwarding State: Pri(active), Backup(up)
```

## History

Release	Command history
<i>Multi-Service NetIron Release 05.6.00</i>	The show mpls lsp <i>frr_lsp</i> command was enhance to include use-bypass-liberal under the cspf-computation-mode command output line.

Related commands show mpls lsp [brief |detail [*detail*|*extensive*|*wide*]|down [*detail*|*extensive*|*wide*]|extensive|name *lsp\_name* |up [*detail*|*extensive*|*wide*]]

# IP Traceroute over MPLS

## RFC Support

The Brocade Internet Protocol (IP) Traceroute over Multi-Protocol Label Switching (MPLS) implementation complies with the following RFC Internet Drafts:

- RFC 3032, MPLS Label Stack Encoding
- RFC 4884, Extended ICMP to Support Multi-Part Messages
- RFC 4950, ICMP Extensions for MPLS

## Standard traceroute

Traceroute is a diagnostic utility that allows the user to troubleshoot a network path by iteratively sending Internet Control Message Protocol (ICMP) packets through an IP network from a source to a destination. Packets have a defined TTL and sent to a port that is known to be invalid on the destination device (usually above 3300). At each hop, the transit device decrements the Time-to-Live (TTL) value contained in the IP header portion of the datagram by one. Based on the remaining TTL value, the device performs one of the following actions:

- TTL > 0: The device passes the packet to the next device using standard IP routing protocols.
- TTL = 0: The device drops the packet, which is now expired, and returns an ICMP response of type 11, ttl-exceeded, along with a portion of the original datagram to the source device that originated the traceroute probe.

With each traceroute iteration, the source device increments the TTL value of the packets by one. This causes the packets to be forwarded another hop to the next transit device until the TTL is large enough for the probe to reach the destination.

When the destination device receives the packets, it attempts to connect to the port specified in the ICMP. The attempt fails because the port is invalid. The recipient generates an ICMP message of type 3, destination unreachable, and sends it back to the source device that originated the probe.

Based on the ICMP messages received during the traceroute operation, the source device obtains the following information:

- The number of hops traversed by the traceroute probe until it reaches its destination.
- The IP addresses for each of the devices the probes encounter along their path from the source to the destination.
- The round-trip time (RTT) for each successive probe. The RTT value is the sum of the time a packet travels until it expires, plus the time the ICMP message takes to return to the source.

The following example illustrates the output of the traceroute command traversing seven hops in a standard IP network.

```
Brocade# traceroute 10.125.31.70

Type Control-c to abort
Tracing the route to IP node (10.157.22.199) from 1 to 30 hops

 1      4 ms   <1 ms   <1 ms  10.31.20.25
 2     <1 ms <1 ms   <1 ms  10.16.200.121
 3     <1 ms <1 ms   <1 ms  10.110.111.102
 4     <1 ms <1 ms   <1 ms  10.49.131.1
 5     <1 ms <1 ms   <1 ms  10.49.130.18
 6     <1 ms <1 ms    1 ms  10.125.199.61
 7      1 ms    3 ms    2 ms  10.125.31.70T
```

Each line of output represents a hop along the IP network path. For each packet sent, the traceroute command records the RTT in milliseconds and the IP address of the device that returned the ICMP ttl-exceeded message. An asterisk (\*) indicates that no information could be obtained for the specified hop or the traceroute command timed out.

For traceroute command syntax information, refer to the Brocade MLX Series *and* Brocade NetIron *Diagnostic Guide*.

## Traceroute in an MPLS-enabled network

The standard traceroute implementation is insufficient for diagnosing Layer 3 routing problems in an MPLS environment, such as a provider network configured to tunnel a customer's Virtual Private Network (VPN) traffic through a public backbone.

Standard traceroute relies on IP forwarding based on routing table lookup. It requires that the IP addresses of the source and the destination are transparent to the transit Label Switch Routers (LSRs) so they can route ICMP error responses back to the source. When traffic is tunneled through an MPLS domain, IP addresses outside the MPLS domain may not be available to provider transit nodes. In a typical Layer 3 VPN, only the Provider Edge (PE) routers have IP routes to Customer Edge (CE) devices and can use IP addresses to send traffic to and from the MPLS domain. Once a packet enters the MPLS domain, transit LSRs must rely on label information to move traffic along pre-configured Label-Switched Paths (LSPs).

Because of its dependence on IP routing protocols, the user cannot use the standard traceroute command to troubleshoot and identify problems within an MPLS domain, such as a faulty LSP.

### Enhanced traceroute using ICMP label extensions

To troubleshoot MPLS-based routing problems, the user can configure traceroute to use LSP forwarding when sending ICMP packets through an MPLS domain and to report MPLS label information. The user controls the traceroute configuration with the `ip icmp mpls-response` command.

The IP traceroute over MPLS enhancement implements extensions to ICMP error control messages as described in RFC 4884 and RFC 4950. The basic idea is to allow the label stack of an expired IP packet to be appended to the ICMP `ttl-exceeded` message that is generated when a router drops a traceroute packet due to TTL expiration. Recall that for any transit LSR, the source and destination IP addresses embedded in the IP packet header may have no meaning, and the LSR may find itself in a situation where it is unable to route the ICMP message back to the source.

When the user configures traceroute to use ICMP message extensions, an LSR copies the label stack that encapsulated the original datagram when it arrived at the LSR to the ICMP `ttl-exceeded` message generated by that LSR when it drops a packet due to TTL expiration. Before discarding an expired packet, the LSR strips the label stack from the datagram and attaches it to the ICMP message. The extended message contains the label stack—an inner VPN label identifying the outgoing VRF interface and an outer label that specifies the next hop, each one with its embedded TTL value—plus the IP addresses of the packet source and destination (embedded in the IP header attached to the ICMP message).

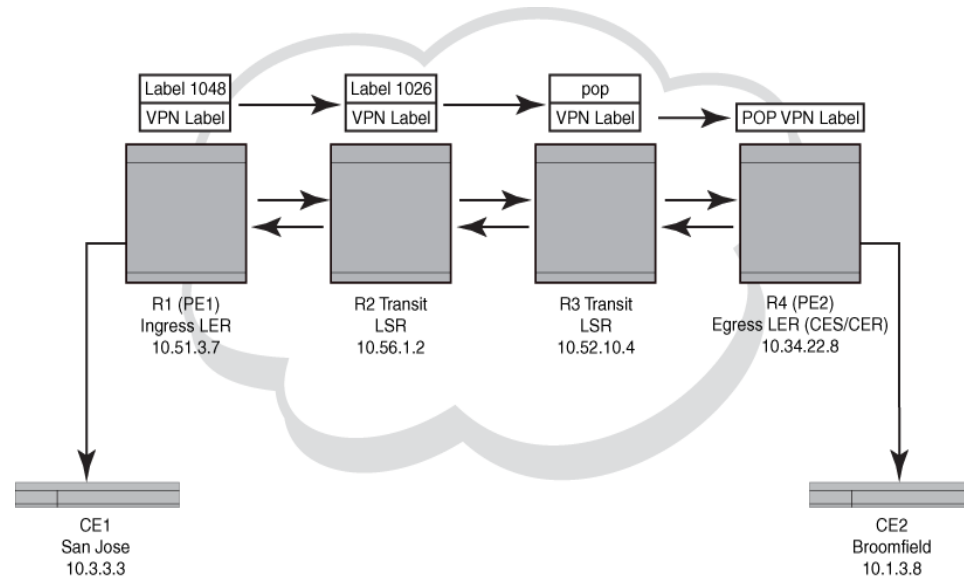
With the label stack of the discarded datagram appended to the ICMP message, the forwarding LSR has two options, depending on the MPLS response configuration:

- When a Layer 3 VPN is used to tunnel customer traffic through the MPLS domain, the transit LSRs have no knowledge of the source and destination IP addresses of the traceroute probe. In this case, the user has the option to configure the LSRs so they route the ICMP messages in the direction of the traceroute destination and back to the source using label switching along predetermined LSPs.
- When IP forwarding is enabled in the MPLS core, the user can configure the LSRs to use IP forwarding to route the ICMP `ttl-exceeded` messages back to the source. The enhanced traceroute command offers the added benefit of reporting MPLS label stack information for each hop along with the traceroute output in addition to the IP source addresses of the transit LSRs.

## Tracing a route through an MPLS domain

Figure 41 shows an MPLS-enabled provider network consisting of four LSRs. R1 is the Provider Edge (PE) ingress Label Edge Router (LER), R2 and R3 are transit LSRs, and R4 is the PE egress LER. CE1 is a Customer Edge (CE) device in San Jose, and CE2 is the destination CE on another customer site in Broomfield.

FIGURE 41 Traceroute in a Layer 3 VPN MPLS cloud



For the purpose of exemplifying the traceroute behavior in an MPLS domain, assume the following:

- Customer traffic is tunneled through a Layer 3 VPN, and traffic within the MPLS core is forwarded by label-switching only.
- Traceroute is configured to generate ICMP responses per ICMP extensions and to use LSPs to forward these messages.
- The egress PE is a Brocade NetIron CER or a Brocade NetIron CES. Traceroute over a Layer 3 VPN configured to use ICMP extensions and LSPs are currently not supported when the egress PE is a Brocade NetIron XMR or Brocade MLXe series router. Refer to “Limitations” on page 210 for more information.
- The PE routers have knowledge of the IP address space on the customer side, whereas the transit LSRs have no such knowledge.
- The traceroute command is issued from CE1 to CE2 and reports the following information:

```
CE1# traceroute 10.1.3.8
Type Control-c to abort
Tracing the route to IP node (10.1.3.8) from 1 to 30 hops
 1  <1 ms  <1 ms  <1 ms  10.51.3.7
 2  <1 ms  <1 ms  <1 ms  10.56.1.2
    MPLS Label=1048 Exp=7 TTL=1 S=0
    MPLS Label=500000 Exp=7 TTL=1 S=1
 3  <1 ms  <1 ms  <1 ms  10.52.10.4
```

# 1 IP Traceroute over MPLS

```
MPLS Label=1026 Exp=7 TTL=1 S=0
MPLS Label=500000 Exp=7 TTL=1 S=1
4   <1 ms   <1 ms   <1 ms 10.34.22.8
5   <1 ms   <1 ms   <1 ms 10.1.3.8
```

---

## NOTE

The traceroute output reports information on a traceroute packet only when its TTL equals 1. Label stack information associated with subsequent routing of the ICMP message along the LSPs to the destination and back to the source is not displayed.

---

In the [Figure 41](#) scenario, the traceroute operation can be described as follows:

6. CE1 in San Jose sends a traceroute probe with a TTL of 1 to its peer in Broomfield, CE2, with the destination IP address of 10.1.3.8. PE1 decrements the packet's TTL by one and drops the expired packet. It then generates an ICMP ttl-exceeded message, and sends it back to the source IP address embedded in the IP header of the discarded datagram. Traceroute reports the PE1 IP address at hop 1, but there is no label information.

```
1   <1 ms   <1 ms   <1 ms 10.51.3.7
```

7. CE1 sends a second traceroute probe to CE2, this time with a TTL value of 2. PE1 decrements the TTL to 1 and pushes an inner VPN label of 500000 and an outer label of 1048 onto the packet to route it to CE2 by way of R2. PE1 also copies the TTL value from the IP header into the TTL field of the labels (recall that TTL propagation must be enabled on the ingress PE).

R2 decrements the TTL, drops the expired packet, and generates an ICMP ttl-exceeded message. Before dropping the packet, and using the ICMP extension mechanism, R2 copies the packet's label stack plus its IP header and appends both to the ICMP message. The message destination is CE1, the device that emitted the traceroute probe. But because R2 cannot return the ICMP message directly to CE1, R2 uses label-switching to forward the encapsulated ICMP response in the direction of the original traceroute probe along the configured LSPs and back to CE1. R2 sets the TTL in the topmost label to the maximum supported value of 225 to ensure that the message can reach its destination before it times out.

Traceroute reports the IP address of R2, plus the label stack that was pushed onto the traceroute packet by PE1 and received by R2 when the packet's TTL was 1. Note PE1's inner VPN label of 50000 at the bottom of the stack and the outer label of 1048 at the top.

```
2   <1 ms   <1 ms   <1 ms 10.56.1.2
    MPLS Label=1048 Exp=7 TTL=1 S=0
    MPLS Label=500000 Exp=7 TTL=1 S=1
```

8. The third traceroute probe (TTL=3) is label-switched until it expires at R3. R3 (the Penultimate Hop Popping (PHP) LSR) generates the ICMP message, appends the label stack from the expired traceroute packet, and passes it on to PE2 without imposing a label. PE2 forwards the ICMP message back to CE1 along the return LSP.

Traceroute reports the IP address of R3, plus the label stack which R3 received with the traceroute packet from R2 when the packet's TTL was 1. The packet's label stack includes the inner VPN label at the bottom of the stack, and the outer label 1026, which R2 imposed when it swapped R1's 1048 label.

```
3   <1 ms   <1 ms   <1 ms 10.52.10.4
    MPLS Label=1026 Exp=7 TTL=1 S=0
    MPLS Label=500000 Exp=7 TTL=1 S=1
```



9. CE1 sends a forth traceroute probe with a TTL value of 4. The packet is label-switched until it arrives at PE2 with a TTL value of 1. PE2 drops the packet and generates an ICMP ttl-exceeded message without label stack extension.

Traceroute reports only the IP address of PE2. There is no label stack to report. R3 popped the outer label before passing the traceroute packet on to PE2, and the Brocade egress router pops the VPN label before sending the ICMP message back to CE1

```
4      <1 ms   <1 ms   <1 ms  10.34.22.8
5      <1 ms   <1 ms   <1 ms  10.1.3.8
```

10. The fifth traceroute probe has a TTL large enough (TTL=5) for the packets to reach CE2. CE2 generates an ICMP destination unreachable message, which CE2 sends back to CE1.

Traceroute reports only the IP address of the destination device CE2. No label extension is added because the received packet is not labeled. The destination unreachable message is label-switched back as a normal data packet.

```
5      <1 ms   <1 ms   <1 ms  10.1.3.8
```

## Configuring Traceroute over MPLS

The `ip icmp mpls-response` command configures the behavior of the traceroute operation by controlling both the ICMP message format (use ICMP label stack extensions or not) and the manner in which the ICMP messages are forwarded through an MPLS domain (by way of IP routing table lookup or through label-switching using LSPs).

The command is accessible in global configuration mode.

MPLS response is enabled by default. To enable the MPLS response after it was disabled, enter the following command:

```
Brocade(config)# ip icmp mpls-response
```

To specify using LSP to forward the ICMP messages with MPLS label extensions, enter the following command:

```
Brocade(config)# ip icmp mpls-response use-lsp
```

To specify generating ICMP messages without MPLS label extensions, enter the following command:

```
Brocade(config)# ip icmp mpls-response no-label-extensions
```

To disable the IP Traceroute over MPLS feature, enter the following command:

```
Brocade(config)# no ip icmp mpls-response
```

Syntax: `[no] ip icmp mpls-response [use-lsp] [no-label-extension]`

The `mpls-response` parameter enables the ICMP MPLS response in default mode. The feature is enabled by default and configured to use IP routing to forward ICMP messages.

The `use-lsp` parameter, specifies to forward ICMP error messages based on information encoded in the label stack along the LSPs configured for the MPLS domain. LSP use is disabled by default.

The `no-label-extension` parameter specifies not to use label extensions in the ICMP error messages.

The no option disables the ICMP MPLS response configuration. When the feature is disabled, standard traceroute is used to trace a traffic path through an MPLS domain.

The output of the show ip traffic command displays counts for ICMP messages that have been generated by an MPLS-enabled LSR with label extensions and returned to the source of the traceroute probe. Refer to [“Displaying IP traffic statistics”](#) for a description of the show ip traffic command and associated output.

Use the show ip traffic command to verify the ICMP message count the user receives from the traceroute output.

The show running configuration command has been modified to include the MPLS response configuration.

---

## NOTE

That the default configuration (mpls-response enabled and using IP routes) is not displayed in the running configuration.

---

### Prerequisites

- MPLS must be enabled on each of the provider LSRs. Refer to Chapter 38, [“Configuring MPLS Traffic Engineering”](#) of the *Multi-Service IronWare Multiprotocol Label Switch (MPLS) Configuration Guide* for more information.
- The user must enable TTL propagation on the ingress and egress LERs (PEs) before the user can use the enhanced traceroute feature. TTL propagation ensures that the TTL value of the IP packets received by the ingress LER is copied onto the outgoing MPLS label. Refer to [IP-over-MPLS TTL propagation control](#) of the *Multi-Service IronWare Multiprotocol Label Switch (MPLS) Configuration Guide* for more information.

### Limitations

- The only ICMP messages supported with this feature are ttl-exceeded messages (Type 11). Destination unreachable messages are not supported.
- IP Traceroute over MPLS requires Time-To-Live (TTL) propagation at the ingress and egress Provider Edge (PE) routers. The feature is not applicable in contexts where TTL values are not propagated (for example, in a Layer 2 VPN).
- IP Traceroute over MPLS supports a label stack size of up to five entries when displaying MPLS label information in the traceroute output. For label stack sizes greater than five the traceroute output only displays the first five label entries.
- The traceroute command cannot be used in a Layer 3 VPN network, when the ICMP response is configured to use LSP and the egress router is a Brocade NetIron XMR or Brocade MLXe series router running R05.2.00c or later. The Brocade NetIron CER and the Brocade NetIron CES handles these cases correctly.
- The user cannot use the traceroute command in a Layer 3 VPN network when the ICMP response is configured with the no use-lsp option. The transit LSRs have no Virtual Routing and Forwarding (VRF) concept (only the PE routers do), and consequently no VPN routes when the label-switching mechanism is blocked. Even when the responding LSR may have a route to the traceroute source, the ICMP ttl-exceeded response packet generated by the LSR router cannot be properly routed by the ingress router to the CE router because the response is a normal IP packet and does not have a VPN label. Refer to [“Scenario B - Layer 3 VPN over MPLS”](#) for an illustration.
- IP Traceroute over MPLS is not backwards-compatible and is only supported on devices running R05.2.00c and later.

- IP Traceroute over MPLS supports IPv4 traceroute only.

## Configuration examples

The MPLS response feature supports four different configuration options for controlling the traceroute behavior in an MPLS domain. The command behavior varies depending on what types of routes are configured for a given MPLS domain.

The following examples assume the same MPLS response configuration for each of the LSRs in the MPLS domain. The user configures the MPLS response parameters per LSR, and to get consistent traceroute behavior, it is desirable for all the LSRs in the MPLS domain to have the same settings. Use the show running configuration command to verify the configuration.

The configuration examples refer to the topology described in Figure 1 configured with either IP over MPLS or Layer 3 VPN over MPLS. All Layer 3 VPN examples use a Brocade NetIron CER or a Brocade NetIron CES as the egress router.

### Using IP traceroute over MPLS with the default configuration

Assumptions: The default MPLS response configuration was disabled on all LSRs in the MPLS domain and the user re-enables the default configuration. In default mode, ICMP messages are generated with label stack extensions and forwarded per IP routing table lookup. CE1 is tracing the traffic path to CE2 with a destination IP address of 10.1.3.8.

#### Scenario A - IP over MPLS

IP over MPLS (IPoMPLS) is enabled in the provider core.

1. Re-enable the MPLS response default configuration on each LSR (R1, R2, R3, and R4).

```
Brocade# configure terminal
Brocade(config)# ip icmp mpls-response
```

2. On CE1 (IP address 10.3.3.3), issue the traceroute command with the destination address of CE2 (IP address 10.1.3.8).

```
CE1# traceroute 10.1.3.8
Type Control-c to abort
Tracing the route to IP node (10.1.3.8) from 1 to 30 hops
 1  <1 ms  <1 ms  <1 ms  10.51.3.7
 2  <1 ms  <1 ms  <1 ms  10.56.1.2
    MPLS Label=1048 Exp=7 TTL=1 S=1
 3  <1 ms  <1 ms  <1 ms  10.52.10.4
    MPLS Label=1026 Exp=7 TTL=1 S=1
 4  <1 ms  <1 ms  <1 ms  10.34.22.8
 5  <1 ms  <1 ms  <1 ms  10.1.3.8
```

The default IP over MPLS traceroute output shows a single label at hop 2 and at hop 3. Traceroute operates like the standard implementation except that the output is enhanced with label information. VPN labels are not used in this scenario. All ICMP error responses are routed as normal IP packets.

#### Scenario B - Layer 3 VPN over MPLS

MPLS is enabled in the provider core. Customer traffic is routed through the provider network using a Layer 3 VPN. The egress PE is a Brocade NetIron CER or a Brocade NetIron CES.

# 1 IP Traceroute over MPLS

1. Re-enable the MPLS response default configuration on each LSR (R1, R2, R3, and R4).

```
Brocade# configure terminal
Brocade(config)# ip icmp mpls-response
```

2. On CE 1 (IP address 10.3.3.3), issue the traceroute command with the destination address of CE2 (IP address 10.1.3.8).

```
CE1# traceroute 10.1.3.8
Type Control-c to abort
Tracing the route to IP node (10.1.3.8) from 1 to 30 hops
 1    <1 ms    <1 ms    <1 ms 10.51.3.7
 2    *        *        *      ?
 3    *        *        *      ?
 4    *        *        *      ?
 5    <1 ms    <1 ms    <1 ms 10.1.3.8
```

In this scenario, only PE1 and CE2 return traceroute information. ICMP error messages generated at R2, R3, and PE2 with subsequent probes are dropped, because these LSRs can only use label-switching to transport the ICMP response and use-lsp is disabled in the ICMP response default configuration. Traceroute prints an asterisk (\*) for each dropped package. The fifth traceroute probe makes it to CE2, which routes an ICMP destination unreachable message back to CE1 using IP routing table lookup. Refer to “Limitations” for more information.

## Tracing a route across an MPLS domain with label extensions using LSP

Assumptions: The default MPLS response feature is enabled on all provider routers. The user intends to trace the LSPs in the MPLS core and the user configures the routers to use LSPs. CE1 is sending a traceroute to CE2 with a destination IP address of 10.1.3.8. ICMP messages are generated with label stack extensions (always enabled unless explicitly disabled) and are propagated along configured LSPs. Only the PE routers have specific IP routes to the CE routers.

### Scenario A - IP over MPLS

IP over MPLS (IPoMPLS) is enabled in the provider core.

1. Issue the ip icmp mpls-response command with the use-lsp option on each LSR (R1, R2, R3, and R4).

```
Brocade# configure terminal
Brocade(config)# ip icmp mpls-response use-lsp
```

2. On the CE 1 (IP address 10.3.3.3), issue the traceroute command with the destination address of CE2 (IP address 10.1.3.8).

```
CE1# traceroute 10.1.3.8
Type Control-c to abort
Tracing the route to IP node (10.1.3.8) from 1 to 30 hops
 1    <1 ms    <1 ms    <1 ms 10.51.3.7
 2    <1 ms    <1 ms    <1 ms 10.56.1.2
      MPLS Label=1048 Exp=7 TTL=1 S=1
 3    <1 ms    <1 ms    <1 ms 10.52.10.4
      MPLS Label=1026 Exp=7 TTL=1 S=1
 4    <1 ms    <1 ms    <1 ms 10.34.22.8
 5    <1 ms    <1 ms    <1 ms 10.1.3.8
```

IP forwarding is enabled in the MPLS domain and the ICMP responses are forwarded using IP routes. Traceroute reports MPLS labels at hop 2 and 3 but no VPN label.

**Scenario B - Layer 3 VPN over MPLS**

MPLS is enabled in the provider core. Customer traffic is routed through the provider network using a Layer 3 VPN. The egress PE is a Brocade NetIron CER or a Brocade NetIron CES.

1. Issue the `ip icmp mpls-response` command with the `use-lsp` option on each LSR (R1, R2, R3, and R4).

```
Brocade# configure terminal
Brocade(config)# ip icmp mpls-response use-lsp
```

2. On the CE 1 (IP address 10.3.3.3), issue the `traceroute` command with the destination address of CE2 (IP address 10.1.3.8).

```
CE1# traceroute 10.1.3.8
Type Control-c to abort
Tracing the route to IP node (10.1.3.8) from 1 to 30 hops
 1  <1 ms  <1 ms  <1 ms  10.51.3.7
 2  <1 ms  <1 ms  <1 ms  10.56.1.2
    MPLS Label=1048 Exp=7 TTL=1 S=0
    MPLS Label=500000 Exp=7 TTL=1 S=1
 3  <1 ms  <1 ms  <1 ms  10.52.10.4
    MPLS Label=1026 Exp=7 TTL=1 S=0
    MPLS Label=500000 Exp=7 TTL=1 S=1
 4  <1 ms  <1 ms  <1 ms  10.34.22.8
 5  <1 ms  <1 ms  <1 ms  10.1.3.8
```

In a Layer 3 VPN network, ICMP responses can only be forwarded as labeled MPLS packets along configured LSPs. Traceroute operates as described in section [“Tracing a route through an MPLS domain”](#), reporting both the outer path label and the VPN label used to route the packets to the appropriate VRF interface.

## Tracing a route across an MPLS domain without label stack extensions and use-lsp disabled

Assumptions: The MPLS response default configuration is enabled on all LSRs in the provider network and the user wants to troubleshoot the IP routes. The user does not care about labels and the user configures `traceroute` to suppress label stack information. CE1 is sending a `traceroute` to CE2 with a destination IP address of 10.1.3.8. ICMP messages are generated without label stack extensions and forwarded per IP routing table lookup.

**Scenario A - IP over MPLS**

IP over MPLS (IPoMPLS) is enabled in the provider core.

1. Issue the `ip icmp mpls-response` command with the `no-label-extension` option on each LSR (R1, R2, R3, and R4).

```
Brocade# configure terminal
Brocade(config)# ip icmp mpls-response no-label-extension
```

2. On the CE 1 (IP address 10.3.3.3), issue the `traceroute` command with the destination address of CE2 (IP address 10.1.3.8).

```
CE1# traceroute 10.1.3.8
Type Control-c to abort
Tracing the route to IP node (10.1.3.8) from 1 to 30 hops
```

# 1 IP Traceroute over MPLS

```
1      <1 ms   <1 ms   <1 ms  10.51.3.7
2      <1 ms   <1 ms   <1 ms  10.56.1.2
3      <1 ms   <1 ms   <1 ms  10.52.10.4
4      <1 ms   <1 ms   <1 ms  10.34.22.8
5      <1 ms   <1 ms   <1 ms  10.1.3.8
```

In this scenario, IP traceroute over MPLS behaves just like the standard traceroute command. At each hop, ICMP messages are generated and returned to the destination (source CE1) as regular IP packets through standard IP routing protocols. The user gets the same traceroute behavior when the user disables the IP Traceroute over MPLS feature with the `no ip icmp mpls-response` command before sending a traceroute probe. When the ICMP response is disabled, the standard traceroute implementation is used.

## Scenario B - Layer 3 VPN over MPLS

MPLS is enabled in the provider core. Customer traffic is routed through the provider network using a Layer 3 VPN. The egress PE is a Brocade NetIron CER or a Brocade NetIron CES

1. Issue the `ip icmp mpls-response` command with the `no-label-extension` option on each LSR (R1, R2, R3, and R4).

```
Brocade# configure terminal
Brocade(config)# ip icmp mpls-response no-label-extension
```

2. On CE 1 (IP address 10.3.3.3), issue the traceroute command with the destination address of CE2 (IP address 10.1.3.8).

```
CE1# traceroute 10.1.3.8
Type Control-c to abort
Tracing the route to IP node (10.1.3.8) from 1 to 30 hops
1      <1 ms   <1 ms   <1 ms  10.51.3.7
2      *       *       *      ?
3      *       *       *      ?
4      *       *       *      ?
5      <1 ms   <1 ms   <1 ms  10.1.3.8
```

The outcome is the same as if the user were using the default configuration (“[Scenario B - Layer 3 VPN over MPLS](#)”). Only PE1 and CE2 return traceroute information. ICMP error messages generated at R2, R3, and PE2 with subsequent probes are dropped, because these routers can only use LSPs to transport traffic and using LSP is blocked. Traceroute prints an asterisk (\*) for each dropped package. The fifth traceroute probe makes it to C2, which routes a destination unreachable message back to CE1 using IP routing lookup. Refer to the “[Limitations](#)” for more information.

## Tracing a route across an MPLS domain with label extensions disabled and use-lsp enabled

Assumptions: MPLS is enabled in the provider core. Only the PEs have IP routes to the CEs. The MPLS response default configuration is enabled on all routers in the MPLS domain. The example specifies LSP forwarding but suppresses label stack information. CE1 is sending a traceroute to CE2 with a destination IP address of 10.1.3.8.

This example is included only to illustrate the CLI behavior. It is not useful for diagnosing LSP routing problems. Regardless of whether the user has IP over MPLS or a Layer 3 VPN configured, the provider transit router cannot propagate ICMP errors without label extensions when use-lsp is specified. For this reason, traceroute returns information only for the PE1 and CE2.

1. Issue the ip icmp mpls-response command with the use-lsp and the no-label-extension options on each LSR (R1, R2, R3, and R4).

```
Brocade# configure terminal
Brocade(config)# ip icmp mpls-response use-lsp no-label-extension
```

2. On the CE 1 (IP address 10.3.3.3), issue the traceroute command with the destination address of CE2 (IP address 10.1.3.8).

```
CE1# traceroute 10.1.3.8
Type Control-c to abort
Tracing the route to IP node (10.1.3.8) from 1 to 30 hops
 1 <1 ms <1 ms <1 ms 10.51.3.7
 2 * * * ?
 3 * * * ?
 4 * * * ?
 5 <1 ms <1 ms <1 ms 10.1.3.8
```

## Understanding traceroute label information

When IP traceroute over MPLS is enabled on a provider LSR and configured to use label extensions, the traceroute command displays label information in its output.

Table 13 explains the output from the enhanced traceroute command.

**TABLE 13** Output from the enhanced traceroute command

This Field...	Displays...
MPLS Label	The label appended to the ICMP ttl-exceeded message by the LSR that generated the message at the specified hop. The label is a 20-bit value.
Exp	A field in the MPLS label for experimental use. The field is a 3-bit value
TTL	Time-to-live value of the datagram when it arrived at the LSR that generated the ICMP message. The TTL field is an 8-bit value.
S	Indicates the position of the label in the label stack The S field is a 1-bit value. A label with S=1 is located at the bottom of the stack. A label with a value of S=0 is not at the bottom of the stack.

## MPLS LDP-IGP synchronization

Packet loss can occur because the actions of the IGP and LDP are not synchronized.

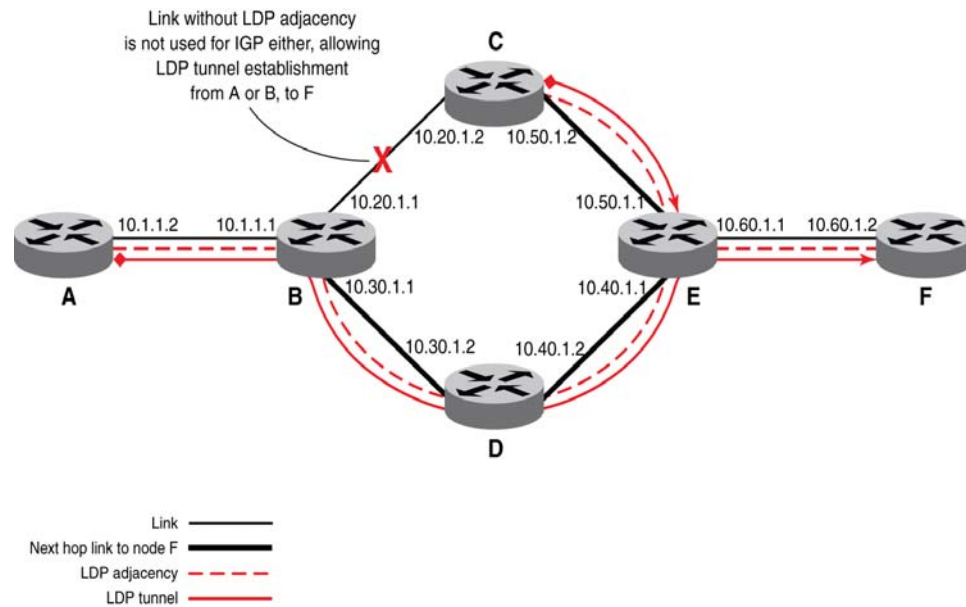
The MPLS LDP-IGP Synchronization feature provides the following benefits:

- Provides a means to synchronize LDP and IGPs to minimize MPLS packet loss.
- MPLS LDP-IGP Synchronization may be enabled per interface, or globally
- OSPF and IS-IS are supported for the IGP; each operates independently

# 1 MPLS LDP-IGP synchronization

- LDP determines convergence (receipt of all labels) for a link by one of two methods.
  - Receive Label silence mechanism
  - End Of Lib mechanism (RFC 5919)
- Provides a means to disable LDP-IGP Synchronization on interfaces that the user does not want enabled.
- Enables the user to globally enable LDP-IGP synchronization on each interface associated with an IGP Open Shortest Path First (OSPF) or IS-IS process.

**FIGURE 42 Example with LDP IGP synchronization**



To enable LDP-IGP synchronization on each interface that belongs to an OSPF or IS-IS process, enter the `isis ldp sync` or the `ip ospf ldp sync` command under the corresponding mode. When the user does not want all of the interfaces to have LDP-IGP synchronization enabled, issue the `[no]` form of the command on the specific interfaces.

When the LDP peer is reachable, the IGP waits indefinitely (by default) for synchronization to be achieved. To limit the length of time the IGP session must wait, enter the `mpls ldp igp sync holddown` command. When the LDP peer is not reachable, the IGP establishes the adjacency to enable the LDP session to be established.

When an IGP adjacency is established on a link but LDP-IGP synchronization is not yet achieved or is lost, the IGP advertises the max-metric on that link.

## Configuration considerations

- Supports only point-to-point interfaces but not tunnel interfaces.
- On IS-IS, wide metric-style is required.
- When enabled on IS-IS, the feature applies to both level-1 and level-2 metrics.
- Affects IPv4 metrics only.



## Configuring MPLS LDP-IGP synchronization

This section contains the following tasks:

- Configuring MPLS LDP-IGP synchronization with OSPF interfaces (required).
- Selectively Disabling MPLS LDP-IGP synchronization from some OSPF interfaces (optional).
- Verifying MPLS LDP-IGP synchronization with OSPF (optional).

---

### NOTE

Brocade recommends configuring the hold-down timer to more than 60 seconds to avoid traffic loss.

---

## Configuring MPLS LDP-IGP synchronization globally

MPLS LDP-IGP synchronization is disabled by default. To globally enable MPLS LDP-IGP synchronization with IS-IS, enter the following commands:

```
Brocade(config)# router isis
Brocade(config-isis-router)# address-family ipv4 unicast
Brocade(config-isis-router-router-ipv4u)# metric-style wide
Brocade(config-isis-router-router-ipv4u)# ldp-sync
Brocade(config-isis-router-router-ipv4u)# exit
Brocade(config-isis-router)#
```

MPLS LDP-IGP synchronization is disabled by default. To globally enable MPLS LDP-IGP synchronization with OSPF, enter the following commands.

```
Brocade(conf)# router ospf
Brocade(conf-ospf-router)# ldp-sync
Brocade(conf-ospf-router)#
```

Syntax: [no] ldp-sync

## Setting the LDP IGP sync hold down time

The ldp-sync hold-down command sets the LDP-IGP sync hold down time. The hold down time (in router OSPF and the router IS-IS modes) is the interval which the IGP advertises the maximum IP metric, while waiting for an update from LDP.

The hold down interval starts whenever the IGP initially is enabled with LDP-IGP sync. It is also started whenever LDP updates the IGP with an update indicating the interface status, from LDP's perspective, is not-in-sync. When the hold down time expires, the IGP resumes advertising the normal metric for the link.

When hold down time is configured (from no hold down time), the router starts the hold-down-timer on every interface that is not-in-sync at the time.

When hold down time is un-configured, the router stops the hold-down-timer on every interface that has hold-down-timer running at the time as if there is no hold down time configured. As a result, these interfaces have infinite hold down time. For those not-in-sync interfaces with hold-down time already expired, IGP will continue to advertise normal metric.

By default, hold-down time is disabled. IGP waits until LDP gives an in-sync indication for the link before it advertised the normal metric.

# 1 MPLS LDP-IGP synchronization

By default, ldp-sync hold-down is disabled. To enable the ldp-sync hold-down timer with IS-IS, enter the following commands:

```
Brocade(conf)# router isis
Brocade(config-isis-router)# address-family ipv4 unicast
Brocade(config-isis-router-router-ipv4u)# metric-style wide
Brocade(config-isis-router-router-ipv4u)# ldp-sync
Brocade(config-isis-router-router-ipv4u)# ldp-sync hold-down 100
```

By default, ldp-sync hold-down is disabled. To enable the ldp-sync hold-down timer with OSPF, enter the following commands:

```
Brocade(conf)# router ospf
Brocade(conf-ospf-router)# ldp-sync
Brocade(conf-ospf-router)# ldp-sync hold-down 100
```

Syntax: ldp-sync hold-down *seconds*

The *seconds* parameter range is 1 to 65535 seconds.

## Enabling LDP sync on an interface

Use the isis ldp-sync command under the conf-if-e-1/1 policy to enable the LDP sync feature on a specific IS-IS interface. This overrides the global setting from the MPLS LDP-sync feature. By default, the isis ldp-sync is not enabled individually on an interface.

```
Brocade(conf)# interface e 1/1
Brocade(conf-if-e-1/1)# ip router isis
Brocade(conf-if-e-1/1)# isis ldp-sync enable
```

Syntax: isis ldp-sync [enable | disable]

Use the ip ospf ldp-sync command under the conf-if-e-1/1 policy to enable the LDP sync feature individually on an OSPF interface. By default, the ip ospf ldp-sync is not enabled individually on an OSPF interface.

```
Brocade(conf)# interface e 1/1
Brocade(conf-if-e-1/1)# ip ospf area 0.0.0.0
Brocade(conf-if-e-1/1)# ip ospf ldp-sync enable
```

Syntax: ip ospf ldp-sync [enable | disable]

## Setting the receive label silence timer

When labels are not received from the peer for a short period of time, the session is declared 'In Sync'. When a label is received from a peer, then the 'receive label silence timer' is reset.

Use the rx-label-silence-time command under config-mpls-ldp policy to define the length of the receive label silence timer.

```
Brocade(conf)# router mpls
Brocade(config-mpls)# ldp
Brocade(config-mpls-ldp)# rx-label-silence-time 30000
```

Syntax: rx-label-silence-time *value*

The *value* parameter specifies the length of time of the receive label silence timer in milliseconds. Possible values are from 100 to 60000 milliseconds. The default value is 1000.

## Enabling the end-of-lib submodule

Configure the end-of-lib submodule under LDP to contain all the attributes of the end of lib capability and notification.

```
Brocade(conf)# router mpls
Brocade(conf-router-mpls)# ldp
Brocade(conf-router-mpls-ldp)# end-of-lib
Brocade(conf-router-mpls-ldp-eol)#
Diabling the end-of-lib submodule
```

Enabling the end-of-lib submodule determines whether the two RFCs 5561 and 5919 are enabled by the LSR. The user can turn this feature off either by;

- Removing the end-of-lib submodule
- Issuing the disable command under the end-of-lib submodule.

```
Brocade(conf)# router mpls
Brocade(conf-router-mpls)# ldp
Brocade(conf-router-mpls-ldp)# end-of-lib
Brocade(conf-router-mpls-ldp-eol)# disable
```

Syntax: [no] end-of-lib

The [no] form of “disable” enables the feature.

## Setting the EOL notification timer

Use the EOL notification timer command under the conf-router-mpls-ldp-eol policy to set the length of the EOL notification timer. This command is LDP global.

```
Brocade(conf)# router mpls
Brocade(conf-router-mpls)# ldp
Brocade(conf-router-mpls-ldp)# end-of-lib
Brocade(conf-router-mpls-ldp-eol)# notification-timer <value>
```

Syntax: EOL notification timer *value*

The *value* parameter specifies the length of the EOL notification timer in milliseconds. Possible values are from 100 to 120000 milliseconds. The default value is 60000.

## Setting the EOL transmit label silence timer

Use the tx-label-silence-timer command under conf-router-mpls-ldp-eol policy to sets the length of the EOL transmit label silence timer. This command is LDP global.

```
Brocade(conf)# router mpls
Brocade(conf-router-mpls)# ldp
Brocade(conf-router-mpls-ldp)# end-of-lib
Brocade(conf-router-mpls-ldp-eol)# tx-label-silence-timer 2000
```

Syntax: tx-label-silence-timer *value*

# 1 MPLS LDP-IGP synchronization

The *value* parameter specifies the length of the EOL transmit label silence timer in milliseconds. Possible values are from 100 to 60000 milliseconds. The default value is 1000.

## Displaying LDP IGP synchronization information

Use the `show isis config | show ip ospf config` commands under `config-isis-router | config-ospf` config policies to show the new configuration parameters for LDP-IGP sync:

- enable/disable for LDP-IGP sync
- Hold down time

Use the `show isis configuration` command to displaying IS-IS LDP IGP synchronization information.

```
Brocade(config-isis-router)# show isis config
router isis
  net 10.0010.0100.1002.00
  log adjacency
  address-family ipv4 unicast
  ldp-sync
  metric-style wide
  ldp-sync
  ldp-sync hold-down 300
  redistribute connected level-1
  redistribute static
  exit-address-family

  address-family ipv6 unicast
  ldp-sync
  multi-topology transition
  exit-address-family

end
```

Syntax: `show isis configuration`

Use the `show ip ospf` command to displaying IS-IS LDP IGP synchronization information.

```
Brocade# show ip ospf
OSPF Version                Version 2
Router Id                   10.1.1.2
ASBR Status                 No
ABR Status                  No          (0)
Redistribute Ext Routes from
Initial SPF schedule delay  0          (msecs)
Minimum hold time for SPF's 0          (msecs)
Maximum hold time for SPF's 0          (msecs)
External LSA Counter        0
External LSA Checksum Sum   00000000
Originate New LSA Counter   9
Rx New LSA Counter          6
External LSA Limit          174762
Database Overflow Interval   0
Database Overflow State :   NOT OVERFLOWED
RFC 1583 Compatibility :    Enabled
Slow neighbor Flap-Action : Disabled,   timer 300
Nonstop Routing:            Disabled
Graceful Restart:           Disabled,   timer 120
Graceful Restart Helper:    Enabled
```

```
LDP-SYNC: Globally enabled, Hold-down time 66 sec
Interfaces with LDP-SYNC enabled:
  eth 1/3 eth 1/4
```

Syntax: show ip ospf configuration

## Displaying LDP IGP synchronization interface information

Use the show isis inter | show ip ospf inter under the config-if-e10000-1/3 policy to show:

- The enable or disable state for the LDP-IGP sync
- The time remaining in the hold down, when the hold-down is specified. Otherwise, it displays “-1”.
- The currently advertised IP metric
- The normal IP metric

```
Brocade(config-if-e10000-1/3)# show isis interface
Total number of IS-IS Interfaces: 5

Interface: eth 1/1
  Circuit State: UP Circuit Mode: LEVEL-1-2
  Circuit Type: BCAST Passive State: FALSE
  Circuit Number: 3, MTU: 1500
  Level-1 Auth-mode: None
  Level-2 Auth-mode: None
  Level-1 Metric: 10, Level-1 Priority: 64
  Level-1 Hello Interval: 10 Level-1 Hello Multiplier: 3
  Level-1 Designated IS: R2-03 Level-1 DIS Changes: 2
  Level-2 Metric: 10, Level-2 Priority: 64
  Level-2 Hello Interval: 10 Level-2 Hello Multiplier: 3
  Level-2 Designated IS: R2-03 Level-2 DIS Changes: 2
  Next IS-IS LAN Level-1 Hello in 7 seconds
  Next IS-IS LAN Level-2 Hello in 3 seconds
  Number of active Level-1 adjacencies: 0
  Number of active Level-2 adjacencies: 0
  Circuit State Changes: 1 Circuit Adjacencies State Changes: 0
  Rejected Adjacencies: 0
  Circuit Authentication L1 failures: 0
  Circuit Authentication L2 failures: 0
  Bad LSPs: 0
  Control Messages Sent: 40 Control Messages Received: 0
  Hello Padding: Enabled
  IP Enabled: TRUE
  IP Addresses:
    10.30.30.2/28
  IPv6 Enabled: FALSE
  MPLS TE Enabled: FALSE
  LDP-SYNC: Disabled, State:
```

Syntax: show [isis | ip ospf] interface

# 1 MPLS LDP-IGP synchronization

Displaying the show mpls ldp configuration

Use the sh mpls ldp command to view the extended parameters.

```
Label Distribution Protocol version 1
LSR ID: 10.1.7.1, using Loopback 1 (deleting it stops LDP)
Hello interval: Link 5 sec, Targeted 15 sec
Hold time value sent in Hellos: Link 15 sec, Targeted 45 sec
Keepalive interval: 6 sec, Hold time multiple: 6 intervals
Load sharing: 8
Tunnel metric: 0
FEC used for auto discovered peers: current 129, configured 129
Graceful restart: enabled
  Reconnect time: 120 seconds, Max peer reconnect time: 120 seconds
  Recovery time: 120 seconds, Max peer recovery time: 120 seconds
  Forwarding state holding timer: not running
End of lib: Enabled, Notification time: 120000 ms, Tx label silence time: 5000ms
End of lib: Disabled, Recieve Label Silence Time: 5000ms
```

Syntax: sh mpls ldp

Displaying the show mpls ldp sessions

Use the sh mpls ldp sess command to view LDP-IGP sync information. When the timers are running the remaining time appears (no refresh) as well as the static value of the timer.

```
Brocade# show mpls ldp sess 10.7.7.2 0
Peer LDP ID: 10.7.7.2:0, Local LDP ID: 10.1.7.1:0, State: Operational
  Adj: Link, Role: Passive, Next keepalive: 1 sec, Hold time left: 31 sec
  Keepalive interval: 6 sec, Max hold time: 36 sec
  Up time: 16 min 46 sec
  Neighboring interfaces: e2/2
  TCP connection: 10.1.7.1:646--10.7.7.2:9004, State: ESTABLISHED
  Next-hop addresses received from the peer:
    10.1.1.14 10.1.2.14 10.3.4.5 10.7.7.2
  Graceful restart: enabled
    Peer reconnect time(msec): 120000, peer recovery time(msec): 0
    State: not started
  IGP Sync:
    Unrecognized Notification Capability: Local: On, Remote: On
    Local State: In-sync, RemoteState: In-sync
    EOL notification time: 60000 ms, Timer not running
    EOL transmit label silence time: 1000 ms, Timer not running
```

Syntax: sh mpls ldp sess *value*

Displaying the show mpls ldp interface

Use the show mpls ldp int command to view whether or not LDP-IGP sync is enabled on the interface.

```
Brocade# sh mpls ldp int e2/16
e2/16, label-space ID: 0
  Nbr count: 1
  Hello interval: 5 sec, next hello: 2 sec
  Hello timeout: 15 sec
  Current IGP Sync state: In Sync
```

Syntax: show mpls ldp int *value*

Use the `show mpls int` command to view the current cached LDP-IGP sync state.

```
Brocade# show mpls int e2/2
Admin: Up Oper: Up
Maximum BW: 0 kbps, maximum reservable BW: 0 kbps
Admin group: 0x00000000
Reservable BW [priority] kbps:
  [0] 0    [1] 0    [2] 0    [3] 0
  [4] 0    [5] 0    [6] 0    [7] 0
Last sent reservable BW [priority] kbps:
  [0] 0    [1] 0    [2] 0    [3] 0
  [4] 0    [5] 0    [6] 0    [7] 0
LDP tunnel count: 0
Current IGP Sync State: Not In Sync
```

Syntax: `show mpls int value`

## Displaying MPLS and RSVP information

The user can display the following information about the MPLS configuration on the device:

- Information about MPLS-enabled interfaces on the device
- Statistics about the MPLS-enabled interfaces, including bypass LSPs
- MPLS summary information
- Contents of the Traffic Engineering Database (TED)
- Status information about signaled LSPs configured on the device
- Information about paths configured on the device
- The label applied at each hop in an LSP
- Contents of the MPLS routing table
- RSVP information, including the status of RSVP-enabled interfaces, session information, and statistics
- Information about OSPF-TE LSAs
- MPLS Fast Reroute Information
- MPLS Bypass LSP

### Displaying information about MPLS-enabled interfaces

To display information about the interfaces on the device that have been enabled for MPLS, use the `show mpls interface` command.

# 1 Displaying MPLS and RSVP information

```

Brocade# show mpls interface ethernet 1/1
e1/1
Admin: Up Oper: Up
Maximum BW: 10000000 kbps, maximum reservable BW: 8000000 kbps (80%)
Admin group: 0x00000000
Reservable BW [priority] kbps:
  [0] 8000000 [1] 8000000 [2] 8000000 [3] 8000000
  [4] 8000000 [5] 8000000 [6] 8000000 [7] 8000000
Last sent reservable BW [priority] kbps:
  [0] 8000000 [1] 8000000 [2] 8000000 [3] 8000000
  [4] 8000000 [5] 8000000 [6] 8000000 [7] 8000000
Configured Protecting bypass lsp: 1
  
```

Syntax: show mpls interface [ethernet slot/port | pos slot/port | ve vid]

Table 14 displays the output information from the show mpls interface command.

**TABLE 14** Output from the show mpls interface command

This Field...	Displays...
Interface	<p>The interface type refers to any one of the following:</p> <ul style="list-style-type: none"> <li>• ethernet slot/port to limit the display to a single ethernet port.</li> <li>• pos slot/port to limit the display to a single POS port.</li> <li>• ve vid to limit the display to a VE interface ID specified by the vid variable.</li> </ul>
maximum reservable BW	<p>The maximum outbound bandwidth that can be used on the interface. This TLV reflects the actual physical bandwidth of the interface.</p> <p>The maximum bandwidth that can be reserved on the interface. By default, the maximum reservable bandwidth is the same as the maximum bandwidth for the interface. The user can optionally change the reservable bandwidth on the interface using the reservable-bandwidth [decimal   percentage decimal] command. The maximum reservable bandwidth can be displayed as either an absolute value or a percentage value of the total interface bandwidth. In show output displayed above, the maximum reservable bandwidth is configured as a percentage value. However, the percentage value and the absolute value are both displayed in the show mpls interface [ethernet slot/port] command output so that the user is aware that the bandwidth was configured as a percentage value, not an absolute value.</p> <p>NOTE: When the maximum reservable bandwidth is configured as an absolute value, the percentage value is not displayed in the output of the show mpls interface [ethernet slot/port] command. The absolute value is only displayed in the output.</p>
Admin group	The administrative groups to which this interface belongs, set with the admin-group command.
Reservable BW [priority] kbps	The amount of bandwidth not yet reserved on the interface. Eight octets are displayed, indicating the amount of unreserved bandwidth (in kbits per second) that can be reserved with a hold priority of 0 through 7. The value in each of the octets is less than or equal to the maximum reservable bandwidth.
Last sent reservable BW [priority] kbps	The values in the Unreserved Bandwidth TLV sent in the most recent OSPF-TE LSA. When the device is not sending out OSPF-TE LSAs for the interface, the unreserved bandwidth value for each of the priorities is 0.
Configured Protecting bypass LSPs	The name and operational state of any bypass LSPs that are protecting this interface.



## Displaying MPLS statistics

The following sections describe the commands used to gather MPLS statistics.

### Displaying MPLS label statistics

To display all of the MPLS traffic statistics by their MPLS label, enter the following command.

```
Brocade# show mpls statistics label
In-label   In-Port(s)   In-Packet Count
    1024      e3/1         315431
            e3/2         349193
            e3/3           0
            e3/4           0
    1025      e3/1         419750
            e3/2           0
            e3/3           0
            e3/4           0
    1024 e5/1 - e5/10 364690
            e5/11 - e5/20  0
            e5/21 - e5/30  0
    1025 e5/1 - e5/10  0
            e5/11 - e5/20  0
            e5/21 - e5/30  0
```

When applicable, the show mpls statistics label command also displays statistics for LDP over RSVP traffic as displayed in the following example.

```
Brocade# show mpls statistics label
In-label In-Port(s)   In-Packet Count
    1024   e2/1 - e2/2  45454
            e2/3 - e2/4   0
    1025   e2/1 - e2/2   0
            e2/3 - e2/4  454528
    1024   e4/1 - e4/20  0
    1025   e4/1 - e4/20  0
```

To display all of the MPLS traffic statistics by their MPLS label for a Brocade NetIron CES or Brocade NetIron CER device, enter the following command.

```
Brocade# show mpls statistics label
In-label   In-Port(s)   In-Bytes Count
    1024     e1/1-e1/24  315431
            e1/25-e1/48  0
```

To display all MPLS traffic statistics by their MPLS label that are gathered by the corresponding network processor that contains a specific port, enter a command such as the following.

# 1 Displaying MPLS and RSVP information

```
Brocade# show mpls statistics label 3/1
In-label      In-Port(s)      In-Packet Count
1024          e3/1 - e3/20    30
1026          e3/1 - e3/20    21
1030          e3/1 - e3/20    100
1032          e3/1 - e3/20    0
1033          e3/1 - e3/20    0
1034          e3/1 - e3/20    12
1036          e3/1 - e3/20    0
```

To display all MPLS traffic statistics by their MPLS label for a specific port on a Brocade NetIron CES or Brocade NetIron CER device, enter a command such as the following.

```
Brocade# show mpls statistics label 1/1
In-label      In-Port(s)      In-Bytes count
1024          e1/1-e1/24      315431
```

Table 15 lists the output displayed for the show mpls statistics label command.

**TABLE 15** MPLS statistics label parameters

This field...	Displays...
In-label	The MPLS label ID.
In-Port (s)	The port where the traffic arrives.
In-Packet Count	The number of packets meeting the In-label and In-port criteria.
In-Bytes Count	The number of bytes meeting the In-label and In-port criteria.

Syntax: show mpls statistics label *interface*

The *interface* variable allows the user to limit label statistics displayed to a specified interface.

## Displaying MPLS tunnel statistics

To display all of the MPLS traffic statistics by their MPLS tunnel, enter the following command.

```
Brocade# show mpls statistics tunnel
Tunnel      In-Port(s)      L3VPN/IPoMPLS Out-Pkt
0           e1/1 - e1/20    0
            e2/1 - e2/2     0
            e3/1 - e3/2     0
            e3/3 - e3/4     0
            e4/1 - e4/20    0
1           e1/1 - e1/20    0
            e2/1 - e2/2     0
            e3/1 - e3/2     0
            e3/3 - e3/4     0
            e4/1 - e4/20    0
```

To display all of the MPLS traffic statistics for a specific tunnel, enter a command such as the following.

```

Brocade# show mpls statistics tunnel 1
Tunnel      In-Port(s)      L3VPN/IPoMPLS Out-Pkt
1           e1/1 - e1/20    0
           e2/1 - e2/2    0
           e3/1 - e3/2    0
           e3/3 - e3/4    0
           e4/1 - e4/20    0
    
```

Table 16 lists the output displayed for the show mpls statistics tunnel command.

**TABLE 16** show mpls statistics tunnel parameters

This field...	Displays...
Tunnel	The index number of the MPLS tunnel.
In-Port(s)	The port where the traffic is received.
L3VPN/IPoMPLS Out-Pkt	The number of Layer 3 VPN and IPoMPLS packets that have been sent outbound meeting the In-label and Tunnel criteria.

Syntax: show mpls statistics tunnel *tunnel-index*

The *tunnel-index* variable allows the user to limit MPLS statistics displayed to a specified tunnel.

**NOTE**

When the traffic is being forwarding using PBR over MPLS tunnel, the MPLS tunnel statistics are not incremented and only the PBR accounting indicates these packets in the statistics.

# 1 Displaying MPLS and RSVP information

## Displaying MPLS VRF statistics

To display out-packet statistics for VRFs, enter the following command.

```
Brocade# show mpls statistics vrf
VRF Name      In-Port(s)      Endpt Out-Pkt      Tnl Out-Pkt
red           e3/1             0      0              0
              e3/2             0      0              0
              e3/3             0      0              0
              e3/4             0      0              0
              e5/1 - e5/10    0      0              0
              e5/11 - e5/20  0      0              0
              e5/21 - e5/30  0      0              0
              e5/31 - e5/40  0      0              0
green        e3/1             3707480 0              0
              e3/2             2692915 0              0
              e3/3             0      0              0
              e3/4             0      0              0
              e5/1 - e5/10    0      0              0
              e5/11 - e5/20  0      5834179
              e5/21 - e5/30  0      0              0
              e5/31 - e5/40  0      0              0
pink        e3/1             0      0              0
              e3/2             0      0              0
              e3/3             0      0              0
              e3/4             0      0              0
              e5/1 - e5/10    0      0              0
              e5/11 - e5/20  0      0              0
              e5/21 - e5/30  0      0              0
              e5/31 - e5/40  0      0              0
```

To display out-packet statistics for a specific VRF, enter the following command.

```
Brocade# show mpls statistics vrf black
VRF Name      In-Port(s)      Endpt Out-Pkt      Tnl Out-Pkt
black        e3/1             0      0              0
              e3/2             29607351 0              0
              e3/3             27522998 25828420
              e3/4             0      0              0
              e5/1 - e5/10    0      0              0
              e5/11 - e5/20  0      0              0
              e5/21 - e5/30  0      0              0
              e5/31 - e5/40  0      0              0
              e5/31 - e5/40  0
```

Table 17 lists the output for the show mpls statistics vrf command.

**TABLE 17** show mpls statistics VRF parameters

This field...	Displays...
VRF Name	The name of the VRF from which packets originated or are destined.
In-Port(s)	The port that is either the VRF or MPLS interface.

**TABLE 17** show mpls statistics VRF parameters (Continued)

This field...	Displays...
Endpt Out-Pkt	The number of packets forwarded to the specified VRF interface.
Tnl Out-Pkt	The number of VRF data packets sent to the remote peer over an MPLS tunnel.

Syntax: show mpls statistics vrf *vrf-name*

The *vrf-name* variable allows the user to limit the display of VRF statistics to a specific VRF.

### Displaying LSP accounting statistics

When the ingress-tunnel-accounting command has been configured, the user can display accounting statistics for RSVP-signaled LSPs using the commands described in this section.

When an LSP has the protection of a bypass LSP (as described in “MPLS Fast Reroute using facility backup over a bypass LSP”), statistics for the protected LSP always is shown under the protected LSP even when the protected LSP switches over to the backup LSP riding on a bypass LSP. Bypass LSP is not listed in the output of the show mpls statistics lsp command. Also, when the user requests statistics and name a bypass LSP, the system generates an error message.

For example, assume that LSP1 and LSP2 are protected LSPs and that BYPASS is the bypass LSP that protects both LSP1 and LSP2.

```
Brocade# show mpls statistic lsp BYPASS
Error - cannot find lsp BYPASS
```

When the bypass LSP is implicit NULL, then statistics are collected for a protected LSP only when the protected LSP is not implicit NULL.

#### Displaying LSP accounting statistics

#### NOTE

The show mpls statistics lsp command displays LSP accounting statistics for single-hop and multi-hop LSP routes.

To display RSVP-signaled LSP accounting statistics, enter the following command.

```
Brocade# show mpls statistics lsp
LSP tope4
  Tunnel index      0  0 pkt  0 Byte  0 Avg. pps  0 Avg. Bps
LSP 400
  Tunnel index      2  0 pkt  0 Byte  0 Avg. pps  0 Avg. Bps
LSP 4000
  Tunnel index      3  0 pkt  0 Byte  0 Avg. pps  0 Avg. Bps
LSP tope41
  Tunnel index      4 99205408 pkt 11314220016 Byte 84459 pps 9628340 Bps
```

When the ingress-tunnel-accounting command is enabled on the RSVP tunnel, the show mpls statistics lsp command displays statistics for LDP over RSVP traffic.

# 1 Displaying MPLS and RSVP information

```
Brocade# show mpls statistics lsp
LSP test1
Tunnel interface tn12 4241 pkt 1187480 Byte 10 pps 2800 Bps
LSP test2
Tunnel interface tn13 0 pkt 0 Byte 0 Avg. pps 0 Avg. Bps
```

Syntax: show mpls statistics lsp [*name*]

The *name* variable specifies the LSP for which LSP accounting statistics are displayed. When the user does not specify an LSP name, statistics are displayed for all RSVP-signaled LSPs.

Displaying LDP accounting statistics

To display LDP-signaled LSP accounting statistics, enter the following command.

**1**

To display LDP-signaled LSP accounting statistics, enter the following command.

# 1 show mpls statistics ldp tunnel [dec | vif-index]

## show mpls statistics ldp tunnel [dec | vif-index]

This is an existing command (in NI R05.500). No change is made to its syntax. The output of this command now shows the total combined statistics of all ECMP paths of an LDP tunnel with LDP ECMP LER feature.

Syntax show mpls statistics ldp tunnel [dec | vif-index]

Parameters *dec*

The *dec* keyword is the destination prefix.

*vif-index*

The *vif-index* keyword displays the total combined statistics of all ECMP paths of an LDP tunnel with LDP ECMP LER feature.

Command modes Global configuration.

Usage guidelines The statistics will not be accurate if the system runs out of CAM entries for all the ECMP paths. This could potentially happen in NI 05.500 as well so there is no change made from that behavior.

Command output The show mpls statistics ldp tunnel [vif-index] command displays the following information.

Output field	Description
LSP	The name of the LSP that statistics are being displayed for. (Displayed for RSVP-signaled LSPs only.)
tnl	The index number of the MPLS tunnel.
pkt	The total number of packets forwarded through the specified LSP.
Byte	The total number of bytes forwarded through the specified LSP.
Avg. pps	The number of packets-per-second forwarded through the specified LSP.
Avg. Bps	The number of bytes-per-second forwarded through the specified LSP.

Example  
Brocade# show mpls statistics ldp tunnel  
LDP tunnel interface tnl13 0 pkt 0 Byte 0 Avg. pps 0 Avg. Bps

### History

Release	Command history
<i>Multi-Service NetIron Release 05.600</i>	The output of this command now shows the total combined statistics of all ECMP paths of an LDP tunnel with LDP ECMP LER feature.
<i>Multi-Service NetIron Release 05.500c</i>	The output of this command now shows the total combined statistics of all ECMP paths of an LDP tunnel with LDP ECMP LER feature.

Related commands None.

Clearing LSP and LDP accounting statistics

Byte and packet counters can be cleared for RSVP-signaled LSPs using the following command.

Syntax: clear mpls statistics lsp [name]



The *name* variable specifies LSP that the user wants to clear byte and packet counters for. When the user does not specify an LSP name, byte and packet counters is cleared for all RSVP-signaled LSPs.

Byte and packet counters can be cleared for LDP-signaled LSPs using the following commands.

Syntax: `clear mpls statistics ldp tunnel [tunnel-index]`

The *tunnel-index* variable specifies the index number of the MPLS tunnel for which the user wants to clear byte and packet counters. When the user does not specify an index number, byte and packet counters are cleared for all LDP-signaled LSPs.

## Displaying MPLS summary information

The user can display a summary of MPLS information, including the number of configured paths and signaled LSPs for which this device is the ingress LER.

### Example

```
Brocade# show mpls summary
```

```
Path:
    Paths configured      =      0

Signaled LSPs:
    LSPs configured      =      1
    LSPs enabled         =      1
    LSPs operational     =      0
```

Syntax: `show mpls summary`

## Displaying the Traffic Engineering database

An LSRs Traffic Engineering Database (TED) contains topology information about nodes in an MPLS domain and the links that connect them. This topology information is obtained from either the OSPF traffic engineering (OSPF-TE) LSAs or IS-IS LSPs with traffic engineering extensions. OSPF-TE LSAs and IS-IS LSPs with TE extensions have special extensions that contain information about an MPLS-enabled interface's traffic engineering metric, bandwidth reservations, and administrative group memberships.

An LSR, when configured to do so, floods OSPF-TE LSAs or IS-IS LSPs with TE extensions for its MPLS-enabled interfaces to its neighboring routers in the OSPF or IS-IS area. Other LSRs store the information from the OSPF-TE LSAs or IS-IS LSPs with TE extensions in their own Traffic Engineering Databases, allowing each LSR in the area to maintain an identical TED describing the MPLS topology. The topology information in the TED is used by the CSPF process when it calculates traffic-engineered paths for signaled LSPs.

The user can display the contents of an LSRs TED. The following example is for a router where OSPF-TE LSAs are enabled for MPLS interfaces.

# 1 Displaying the Traffic Engineering database

```

Brocade# show mpls ted database
AreaId: 0
NodeID: 2.2.2.2, Type: Router
Type: M/A, To: 10.1.1.3, Local: 10.1.1.2, Remote: 0.0.0.0
NodeID: 3.3.3.3, Type: Router
Type: P2P, To: 10.6.6.6, Local: 10.1.1.1, Remote: 10.1.1.2
Type: M/A, To: 10.1.1.3, Local: 10.1.1.3, Remote: 0.0.0.0
Type: M/A, To: 10.1.1.2, Local: 10.1.1.1, Remote: 0.0.0.0
NodeID: 10.1.1.3, Type: Network
Type: M/A, To: 10.1.1.1, Local: 0.0.0.0, Remote: 0.0.0.0
Type: M/A, To: 10.2.2.2, Local: 0.0.0.0, Remote: 0.0.0.0
Type: M/A, To: 10.3.3.3, Local: 0.0.0.0, Remote: 0.0.0.0
NodeID: 30.1.1.2, Type: Network
Type: M/A, To: 10.1.1.1, Local: 0.0.0.0, Remote: 0.0.0.0
Type: M/A, To: 10.6.6.6, Local: 0.0.0.0, Remote: 0.0.0.0

```

The following example is for a router where IS-IS TE LSPs are enabled for MPLS interfaces.

```

Brocade# show mpls ted database
This Router is XMR3
Global Link Gen 106
ISIS(2)
NodeID: XMR4.00(10.12.12.12) , Type: Router
Type: M/A, To: XMR3.02 Local: 10.0.0.1, Remote: 0.0.0.0, Gen 54
Type: M/A, To: XMR3.03 Local: 10.0.0.2, Remote: 0.0.0.0, Gen 51
Type: M/A, To: PE2-JNPR.04 Local: 10.0.0.1, Remote: 0.0.0.0, Gen 57
Type: M/A, To: GSR.02 Local: 10.0.0.1, Remote: 0.0.0.0, Gen 78
NodeID: XMR3.00(10.15.15.15) , Type: Router
Type: M/A, To: XMR3.02 Local: 10.0.0.2, Remote: 0.0.0.0, Gen 49
Type: M/A, To: XMR3.03 Local: 10.0.0.1, Remote: 0.0.0.0, Gen 50
NodeID: PE2-JNPR.00(10.5.5.5) , Type: Router
Type: M/A, To: PE2-JNPR.04 Local: 10.0.0.2, Remote: 0.0.0.0, Gen 62
Type: M/A, To: PE2-JNPR.02 Local: 10.0.0.1, Remote: 0.0.0.0, Gen 60
Type: M/A, To: PE4.03 Local: 10.0.0.2, Remote: 0.0.0.0, Gen 104
NodeID: GSR.00(10.9.9.9) , Type: Router
Type: P2P, To: PE4.00(10.14.14.14) Local: 10.0.0.2, Remote: 10.0.0.1, Gen 106
Type: M/A, To: GSR.02 Local: 10.0.0.2, Remote: 0.0.0.0, Gen 65
Type: M/A, To: PE2-JNPR.02 Local: 10.0.0.2, Remote: 0.0.0.0, Gen 77

```

Syntax: show mpls ted database

The following table describes the output of the show mpls ted database command.

**TABLE 18** Output from the show mpls ted data command

This field...	Displays...
Global Link Gen	The number of times the TED database has changed.
AreaId	The ID of this OSPF area.
NodeID	The ID of the node. For Router nodes, can be any interface address or a loopback interface address on the LSR. For Network nodes, this is the router ID of the network's designated router.
[node] Type	The type of node. The node type can be either Router or Network RouterIndicates the node is an actual LSR. NetworkIndicates the node represents a multi-access network.

**TABLE 18** Output from the show mpls ted data command (Continued)

This field...	Displays...
[link] Type	The type of link. The link type can be either P2P or M/A P2P Indicates this is a point-to-point link. M/A Indicates the link is a broadcast, multi-access network.
To	The ID of the node at the end of this link.
Local	The address of the interface used to reach the remote node.
Remote	The address of the interface on the remote node that is connected to the local node. For M/A link types, this is always 0.0.0.0.
Gen	The number of times this link information has changed.

To display more detailed information about each node in the TED.

```

Brocade# show mpls ted database detail
AreaId: 0
  NodeID: 10.2.2.2, Type: Router
    Type: M/A, To: 10.1.1.3, Local: 10.1.1.2, Remote: 0.0.0.0
    Color: 0x00000007
    Metric: 1
    Max BW: 155000 kbps
    Reservable BW: 155000 kbps
    Available BW [priority] kbps:
      [0] 155000      [1] 155000      [2] 155000      [3] 155000
      [4] 155000      [5] 155000      [6] 155000      [7] 155000
  NodeID: 10.1.1.1, Type: Router
    Type: M/A, To: 10.1.1.3, Local: 10.1.1.1, Remote: 0.0.0.0
    Color: 0x00000007
    Metric: 1
    Max BW: 155000 kbps
    Reservable BW: 155000 kbps
    Available BW [priority] kbps:
      [0] 155000      [1] 155000      [2] 155000      [3] 155000
      [4] 155000      [5] 155000      [6] 155000      [7] 155000
  Type: M/A, To: 10.1.1.2, Local: 10.1.1.1, Remote: 0.0.0.0
    Color: 0x00000007
    Metric: 1
    Max BW: 155000 kbps
    Reservable BW: 155000 kbps
    Available BW [priority] kbps:
      [0] 155000      [1] 155000      [2] 155000      [3] 155000
      [4] 155000      [5] 155000      [6] 155000      [7] 155000
    
```

Syntax: show mpls ted database detail

In addition to the information described in [Table 18](#), the show mpls ted database detail command gives the following

# 1 Displaying the Traffic Engineering database

**TABLE 19** Output from the show mpls ted database detail command

This field...	Displays...
Color	The administrative groups to which this interface belongs.
Metric	The traffic engineering metric for the interface (by default, this is equal to the OSPF link cost).
Max BW	The maximum outbound bandwidth that can be used on the interface. This is the actual physical bandwidth of the interface (155M for OC-3, 622M for OC-12, or 2488M for OC-48).
Reservable BW	The maximum bandwidth that can be reserved on the interface. By default, the Maximum Reservable Bandwidth is the same as the Maximum Bandwidth for the interface.
Available BW [priority] kbps	The amount of bandwidth not yet reserved on the interface. Eight octets are displayed, indicating the amount of unreserved bandwidth (in kbits per second) that can be reserved with a hold priority of 0 through 7. The value in each of the octets is less than or equal to the maximum reservable bandwidth.

## Displaying a traffic engineering path to a destination

The user can display a traffic engineering path to a IPv4 destination address using a specified set of resource parameters. This enhancement allows the user to gain insight into a traffic engineering path in a network, before setting it up using RSVP. This helps the user avoid RSVP path setup failure due to unavailable requested resources along the path to the destination host.

To display the traffic engineering path to a IPv4 destination address, enter the following command.

```
Brocade# show mpls ted path 10.4.4.4
```

Syntax: show mpls ted path *destIPAddress* [bandwidth *bw\_in\_kbps*] [hop-limit *max\_hops*] [priority *setup\_priority*] [exclude-any *STRING\_List\_of\_Admin\_Resource\_groups\_name\_or\_and\_num*] [include-any *STRING\_List\_of\_Admin\_Resource\_groups\_name\_or\_and\_num*] [include-all *STRING\_List\_of\_Admin\_Resource\_groups\_name\_or\_and\_num*] [tie-breaking [random | least-fill | most-fill ]]

### NOTE

When configuring the CLI command, any combination of resource constraint parameters can be used.

The following table describes the parameters of the show mpls ted path command

**TABLE 20** Parameters from the show mpls ted path command

CLI parameter	Description
<i>destIPAddress</i>	The IPv4 address of the destination host.
bandwidth <i>bw_in_kbps</i>	The minimum bandwidth of the path to its destination. The bandwidth value is entered in decimal in kilo bits per second unit. The valid range is between 0- 2147483647. When the value entered is larger than 2147483647, then the value is truncated to the max limit of 2147483647 and accepted as the bandwidth input.

**TABLE 20** Parameters from the show mpls ted path command (Continued)

CLI parameter	Description
hop-limit <i>max_hops</i>	The maximum hops for the path to reach to its destination. The valid range is between 0 - 255. When an invalid range is entered, then an error message displays. When a path to the destination is available, but the hop count for the path is greater than <i>max_hops</i> value, then MPLS indicates that path is not available.
priority <i>setup_priority</i>	The setup priority of the path. The valid range is between 0 - 7. The default is 7, the lowest setup priority value. When an invalid range is entered, then an error message displays. The priority parameter must be entered along with the bandwidth parameter because while setting up an LSP, the setup priority value decides the ability to reserve a bandwidth amount.
exclude-any <i>STRING</i>	The <i>STRING</i> variable specifies the admin group name or number. The string must be enclosed in double quotes. The <i>STRING</i> variable is a list of any combination of admin group name and number. The valid range for the admin group number is between 0 and 31. The admin group name must start with an alphabet character. When an invalid range is entered for admin group number and admin group name, then the CLI prompts a warning message. The CLI is accepted, but the out of range value is ignored.
include-any <i>STRING</i>	The <i>STRING</i> variable specifies the admin group name or number. The string must be enclosed in double quotes. The <i>STRING</i> variable is a list of any combination of admin group name and number. The valid range for the admin group number is between 0 and 31. The admin group name must start with an alphabet character. When an invalid range is entered for admin group number and admin group name, then the CLI prompts a warning message. The CLI is accepted, but the out of range value is ignored.
include-all <i>STRING</i>	The <i>STRING</i> variable specifies the admin group name or number. The string must be enclosed in double quotes. The <i>STRING</i> variable is a list of any combination of admin group name and number. The valid range for the admin group number is between 0 and 31. The admin group name must start with an alphabet character. When an invalid range is entered for admin group number and admin group name, then the CLI prompts a warning message. The CLI is accepted, but the out of range value is ignored.
tie-breaking {random   least-fill   most-fill}	The tie-breaking method is used when multiple equal cost paths to the destination exist. The tie-breaking rule selects only one path to be displayed from among multiple equal cost paths. The default is random.

The following example displays an output from the show mpls ted path command.

```
Brocade# show mpls ted path 10.12.12.12 hop-limit 2
Path to 10.12.12.12 found! Time taken to compute: 0 msec
Hop-count: 2 Cost: 2000 ISIS Level-1
    Hop 1: 10.1.0.1, Rtr 10.13.13.13
    Hop 2: 10.1.0.2, Rtr 10.12.12.12
```

The following is an example for a router where the exclude-any parameter is used.

```
Brocade# show mpls ted path 10.11.11.11 exclude-any 0
Path to 10.11.11.11 found! Time taken to compute: 0 msec
Hop-count: 1 Cost: 10 ISIS Level-2
    Hop 1: 10.0.0.13, Rtr 10.11.11.11
```

The following is an example of an output with an error message using the hop-limit parameter, when an out of range parameter value is entered.

```
Brocade(config-mpls)# show mpls ted path 10.2.2.2 hop-limit 300
Error - Hop count value is out of range [0 - 255]
```

# 1 Displaying the Traffic Engineering database

When an out of range parameter value is entered, the following error message is displayed for the priority parameter.

Priority

Error - Setup priority value is out of range [0 - 7]

The following table describes the output of the show mpls ted path command.

**TABLE 21** Output from the show mpls ted path command

This field...	Displays...
Path to10.4.4.4 found	The IPv4 address of the destination host is found.
Time taken to compute	The total time taken by CSPF (in milliseconds) to compute this path.
Hop-count	The hop count of this path.
Cost	The total cost of this path.
IS-IS	The IS-IS or OSPF or CSPF area ID through which this path traverses.
Hop	The ingress interface IPv4 address at each hop.
Rtr	The traffic engineering router ID (IPv4 address) at each hop.

## Displaying signaled LSP status information

The user can display status information about signaled LSPs for which the device is the ingress LER as shown in the example below.

```
Brocade# show mpls lsp
*: The LSP is taking a Secondary Path
      Admin Oper  Tunnel  Up/Dn Retry Active
Name   To           State  State Intf   Times No.  Path
t1     10.3.3.3     UP     UP*  tn11   1     5     v2
```

Syntax: show mpls lsp [brief]

### NOTE

The show mpls lsp brief command displays the same information as the show mpls lsp command.

Table 22 describes the output of the show mpls lsp command.

**TABLE 22** Output from the show mpls lsp command

This field...	Displays...
Name	The name of the LSP. LSPs are displayed in alphabetical order.
To	The egress LER for the LSP.
Admin State	The administrative state of the LSP. Once the user activates the LSP with the enable command, the administrative state changes from DOWN to UP.

**TABLE 22** Output from the show mpls lsp command (Continued)

This field...	Displays...
Oper State	The operational state of the LSP. This field indicates whether the LSP has been established through signaling and is capable of having packets forwarded through it. There may be a short period of time after the user enables the LSP that the administrative state of the LSP is UP, but the operational state is DOWN. Once the LSP has been established through signaling, both the administrative state and the operational state is UP.
Tunnel Intf	The MPLS tunnel interface port ID.
Up or Dn Times	The number of times the operational state of the LSP's primary path has transitioned from DOWN to UP.
Retry No.	The number of attempts the ingress LER has made to connect to the egress LER.
Active Path	The path currently in use for this LSP. Dashes (-) indicate that there is no named path for the LSP or that the LSP has not yet been established over the named path.

The show mpls lsp detail command displays detailed information about a specific LSP. To display detailed information about the status of the LSPs for which the device is the ingress LER, enter the show mpls lsp detail command as shown in the following example.

```

Brocade# show mpls lsp detail
LSP t1, to 10.3.3.3
  Path selected: pathsecondaryb, mode: manual revert-timer:
  Path selected is up for 3 seconds for the latest instance, traffic will be switched
  to it in 7 seconds.
  From: 10.2.3.4, admin: UP, status: UP, tunnel interface: tn11
  Times primary LSP goes up since enabled: 1
  Metric: 1, number of installed aliases: 0
  Maximum retries: 0, no. of retries: 3
  Pri. path: dir, active: no
  Setup priority: 7, hold priority: 0, ipmtu 1400
  Max rate: 0 kbps, mean rate: 0 kbps, max burst: 0 bytes
  Constraint-based routing enabled: yes
  Tie breaking: random, hop limit: 0
  Sec. path: v2, active: active
  Hot-standby: no, status: up
  Setup priority: 7, hold priority: 0
  Max rate: 0 kbps, mean rate: 0 kbps, max burst: 0 bytes
  Constraint-based routing enabled: yes
  hop limit: 0
  Active Path attributes:
  Tunnel interface: tn11, outbound interface: e1/1
  Tunnel index: 5, outbound label: 1966
  Path calculated using constraint-based routing: no
  Explicit path hop count: 1
  10.10.10.2 (S) -> 10.20.20.2 (S)
  Recorded routes:
  Protection codes: P: Local N: Node B: Bandwidth I: InUse
  10.10.10.2 -> 10.20.20.2
  BFD session status: UP
  Config param: global, min-tx: 1000, min-rx: 1000, multiplier: 3
  Negotiated tx-interval: 1000, rx-interval: 3000, multiplier: 3
  Local discriminator: 1, remote discriminator: 1
    
```

# 1 Displaying the Traffic Engineering database

Syntax: `show mpls lsp [detail / lsp_name]`

The `lsp_name` variable specifies the name of the LSP the user wants to display.

Table 23 describes the output from the `show mpls lsp detail` command.

**TABLE 23** Output from the `show mpls lsp detail` command

This field...	Displays...
Name	The name of the LSP. LSPs are displayed in alphabetical order.
To	The egress LER for the LSP.
From	The LSPs source address, configured with the <code>from</code> command. When a source IP address has not been specified for the LSP with the <code>from</code> command, and the LSP has not been enabled, then "(n/a)" is displayed in the From field.
admin	The administrative state of the LSP. Once the user activates the LSP with the <code>enable</code> command, the administrative state changes from DOWN to UP.
status	The operational state of the LSP. This field indicates whether the LSP has been established through signaling and is capable of having packets forwarded through it. When the status of the LSP is DOWN, the reason why the LSP is down is shown in parentheses. There may be a short period of time after the user enables the LSP that the administrative state of the LSP is UP, but the status is DOWN. Once the LSP has been established through signaling, both the administrative state and the status is UP.
Path selected	The path currently selected for this LSP.
mode	The path selection mode currently configured for the LSP. It can be one of the following: <ul style="list-style-type: none"><li>• auto</li><li>• manual</li><li>• unconditional</li></ul>
revert-timer	The time in seconds for which the revert-timer has been configured.
Path selected is...	The current status of the selected path. During a transition period, this message describes the number of seconds that the path has been up in the latest instance and the number of seconds before traffic is switched.
Times primary LSP goes up	The number of times the status of the LSP's primary path has transitioned from DOWN to UP.
Metric	The metric for the LSP, configured with the <code>metric</code> command.
no. of installed aliases	The number of aliases that have been installed for the egress LER.
Max retries	The maximum number of attempts the ingress LER attempts to connect to the egress LER, set with the <code>retry-limit</code> command.
no. of retries	The number of attempts the ingress LER has made to connect to the egress LER.
Pri. path	The name of the primary path for this LSP and whether the path is currently active.
Sec. path	The name of the secondary path for this LSP and whether the path is currently active.
Hot-standby	Whether the secondary path is a hot-standby path.
status	The operational state of the secondary path.
Setup priority	The configured setup priority for the LSP.
hold priority	The configured hold priority for the LSP.
ipmtu	The maximum packet size in bytes for IP packets transiting the LSP without being fragmented.



**TABLE 23** Output from the show mpls lsp detail command (Continued)

This field...	Displays...
Max rate	The maximum rate of packets that can go through the LSP (in kbps), set with the traffic-eng max-rate command.
mean rate	The average rate of packets that can go through the LSP (in kbps), set with the traffic-eng mean-rate command.
max burst	The maximum size (in bytes) of the largest burst the LSP can send at the maximum rate, set with the traffic-eng max-burst command.
Constraint-based routing enabled	Whether CSPF is in effect for the LSP.
Tie breaking	The tie-breaking method CSPF uses to select a path from a group of equal-cost paths to the egress LER, set with the tie-breaking command.
hop limit	The maximum number of hops a path calculated by CSPF can have, set with the hop-limit command.
outbound interface	The outbound interface taken by the active path of the LSP. when the egress interface is a VE-enabled interface, the VE interface ID specified by the <vid> variable is displayed here in the Outbound interface field (for example, ve 20).
Tunnel index	The tunnel index for the active path of the LSP.
outbound label	The outbound label used by the active path of the LSP.
Path calculated using constraint-based routing	Whether the explicit path used by the active path was calculated using the constraint-based routing.
Explicit path hop counts	The number of explicit hops configured for the LSP, the addresses of the hops, and whether the hops are strict (S) or loose (L).
Recorded routes	The addresses recorded by the RECORD_ROUTE object during RSVP signaling.
When the BFD admin state is enabled for the LSP, the following BFD information is displayed.	
BFD session status	Describes the status of the BFD session on this LSP as either UP or DOWN. When a BFD session for the LSP is enabled and the BFD session is DOWN, one of the following reasons for failure is displayed: <ul style="list-style-type: none"> <li>• BFD disabled globally</li> <li>• LSP down</li> <li>• Max session exceeded</li> <li>• Max LP session exceeded</li> <li>• Peer session down</li> <li>• Wait for peer</li> </ul>
Config Param	Describes how the BFD configuration values were derived: <ul style="list-style-type: none"> <li>• global – Displayed when the configuration values were derived from the router's global LSP BFD configuration.</li> <li>• local – Displayed when the configuration values were derived from a BFD configuration specific to this LSP.</li> </ul>
min-tx	The min-tx value in milliseconds that is configured for this LSP.
min-rx	The min-rx value in milliseconds that is configured for this LSP.
multiplier	The multiplier value that is configured for this LSP.
tx-interval	The tx-interval value in milliseconds that has been negotiated between this router and its peer for this LSP.

# 1 Displaying the Traffic Engineering database

**TABLE 23** Output from the show mpls lsp detail command (Continued)

This field...	Displays...
rx-interval	The rx-interval value in milliseconds that has been negotiated between this router and its peer for this LSP.
multiplier	The multiplier value in milliseconds that has been negotiated between this router and its peer for this LSP.
Local discriminator	Value of the "local discriminator" field in the BFD Control Message as used by the local router in the last message sent.
remote discriminator	Value of the "local discriminator" field in the BFD Control Message as received in the last message sent by the remote peer.

The show mpls lsp wide command allows the user to display the full LSP name in a single line. Previously, a long LSP name (greater than 12 characters) was text-wrapped in multiple lines. Now, the full LSP name can be displayed in a single line as shown in the following example.

```
Brocade(config)# show mpls lsp wide
Note: LSPs marked with * are taking a Secondary Path

Name                Admin   Oper  Tunnel  Up/Dn  Retry  Active
                   To     State State   Intf   Times No.  Path
tunnel1             10.3.3.3 UP    UP      tn10   1    0    --
tunnel2             10.3.3.3 UP    UP      tn14   1    0    ppath1
tunnelfromsanfranciscotonewyork 10.3.3.3 UP    UP      tn13   1    0
pathfromsanfranciscotonewyork
```

Syntax: show mpls lsp wide

The include option can be used with the show mpls lsp wide command to filter and display a specific LSP name.

```
Brocade# show mpls lsp wide | include tunnelfromsanfranciscotonewyork

Name                Admin   Oper  Tunnel  Up/Dn  Retry  Active
                   To     State State   Intf   Times No.  Path
tunnelfromsanfranciscotonewyork 10.3.3.3 UP    UP      tn13   1    0
pathfromsanfranciscotonewyork
```

Syntax: show mpls lsp [wide [ include lsp\_name]]

The *lsp\_name* variable specifies the name of the LSP the user wants to display.

## Displaying path information

A path is a list of router hops that specifies a route across an MPLS domain. The user can create a path and then configure LSPs that see the path. When the LSP is enabled, the ingress LER attempts to signal the other LSRs in the path, so that resources can be allocated to the LSP.

The user can display information about the paths configured on the device as shown in the following example.

```

Brocade# show mpls path
Path Name      Address                Strict/loose      Usage Count
to110_120     10.110.110.2          Strict            1
               10.120.120.3          Strict
to2_pri       10.10.10.2            Strict            0
to2_sec       10.110.110.2          Strict            0
to3           10.110.110.2          Loose            1
               10.120.120.3          Loose
to3_pri       10.10.10.2            Strict            1
               10.20.20.3            Strict
to3_sec       10.110.110.2          Strict            0
               10.120.120.3          Strict
to4           10.110.110.2          Loose            1
               10.120.120.3          Loose
               10.130.130.4          Loose
to_23        10.110.110.2          Strict            1
               10.20.20.3            Strict
    
```

Syntax: show mpls path [*path-name*]

The user can display information for all paths configured on the device, or for a specified *path-name*. [Table 24](#) describes the output shown in the show mpls path command.

**TABLE 24** Output of the show mpls path command

This column...	Displays...
Path Name	The configured name of the path.
Address	The IP address of each node in the path. A node corresponds to an MPLS-enabled router in the network.
Strict or loose	Whether the node is strict or loose. A strict node means that the router must be directly connected to the preceding node. A loose node means that other routers can reside between the source and destination nodes.
Usage Count	The number of LSPs that are either currently using or configured to use the path. For example, when an LSP named "to_sqa" has primary and secondary paths and both paths are configured to use the same MPLS path "path_to_sqa," then the usage count for "path_to_sqa" would be two (when no other LSP in the system is configured to use "path_to_sqa").

The show mpls path wide command allows the user to display the full path name in a single line. Previously, a long path name (greater than 12 characters) was text-wrapped in multiple lines. Now, the full path name can be displayed in a single line as shown in the following example.

```

Brocade(config)# show mpls path wide
Path Name      Address                Strict/loose      Usage
Count
Pathfromsanfranciscotonewyork  10.10.10.2          Strict            1
ppath1        10.10.10.2          Strict            1
spath1        10.20.20.2          Strict            1
    
```

Syntax: show mpls path wide

The include option can be used with the show mpls path wide command to filter and display a specific path.

# 1 Displaying the Traffic Engineering database

```
Brocade# show mpls path wide | include pathfromsanfranciscotonewyork
Path Name                               Address      Strict/loose  Usage
Pathfromsanfranciscotonewyork          10.10.10.2   Strict        1
```

Syntax: show mpls path [wide [| include *path-name*]]

The *path-name* variable specifies the name of the path the user wants to display.

## Displaying the MPLS routing table

The MPLS routing table is used to store routes to egress LERs.

To display the contents of the MPLS routing table, enter the show mpls route command, as follows. The port field now displays whether an interface/port is either Ethernet or POS. For example, Ethernet port 3 on slot 2 is displayed as e2/3.

```
Brocade# show mpls route
Total number of MPLS tunnel routes: 1
R:RSVP L:LDP S:Static O:Others
      Destination      Gateway      Tnnl      Port  Label  Sig Cost Use
1      10.140.140.4/32  10.140.140.4  tn10     e1/2  3      R   0   0
```

Syntax: show mpls route [*ip\_prefix\_addr/mask\_len* [longer] | *ip\_prefix\_addr/ip\_mask* [longer]]

Where:

- *ip\_prefix\_addr* means display the route to the specified IP address.
- *mask\_len* is the number of bits in the mask.
- longer means that when an IP address has been specified, display only the routes that match that IP address.
- *ip\_mask* is the bytes of a network mask or, for CIDR format, the number of bits in the network mask.

**TABLE 25** Output from the show mpls route command

This field...	Displays...
Destination	The destination for the route. This can be either the address of the egress LER in an LSP, or a configured alias.
NetMask	The network mask for the route. When the destination address is the egress LER, the mask is 32 bits.
Gateway	The address of the egress LER in the LSP. When the destination address is not a network alias, the gateway is the same as the destination address.
Port	The MPLS tunnel interface associated with the LSP. The port field displays whether an interface/port is an Ethernet port, POS port, or a VE interface. The VE interface ID is specified by the <i>vid</i> variable. When applicable, the egress interface of the routing entry displays the VE interface. The port display format for interface or port is as follows: <ul style="list-style-type: none"><li>• [e p] slot or port</li></ul> “e” represents an Ethernet port “p” represents a POS port
Cost	The metric for the LSP, set with the metric command in the LSPs configuration.

**TABLE 25** Output from the show mpls route command (Continued)

This field...	Displays...
Label	The MPLS label received from the downstream router.
sig	The signal protocol type associated with the label. Possible values are: <ul style="list-style-type: none"> <li>• L – LDP</li> <li>• R – RSVP</li> </ul>
Usage	The number of LSPs that are either currently using or configured to use the path. For example, When an LSP named “to_sqa” has primary and secondary paths and both paths are configured to use the same MPLS path “path_to_sqa,” then the usage count for “path_to_sqa” would be two (when no other LSP in the system is configured to use “path_to_sqa”).

## Displaying the MPLS forwarding information

The show mpls forwarding command is introduced to display MPLS forwarding information. The out-intf field in the output of the show mpls forwarding command displays whether an interface/port is either an Ethernet port or a POS port. For example, Ethernet port 3 on slot 2 is displayed as e2/3.

To display MPLS forwarding information, enter the show mpls forwarding command as shown in the example below.

```
Brocade# show mpls forwarding
Total number of MPLS forwarding entries: 2
      Dest-prefix      In-lbl In-intf Out-lbl Out-intf Sig Next-hop
1      10.140.140.4/32          3      e1/2      R  10.20.20.2
2      10.140.140.4/32      1024  e1/10     R  10.20.20.2  DET
```

Syntax: show mpls forwarding [*ip\_prefix\_addr/mask\_len* [*longer*] | *ip\_prefix\_addr/ip\_mask* [*longer*]| p2mp | p2p ]

where:

- *ip\_prefix\_addr* means display the route to the specified IP address.
- *mask\_len* is the number of bits in the mask.
- *longer* means that when an IP address has been specified, display only the routes that match that IP address.
- *ip\_mask* is the bytes of a network mask or, for CIDR format, the number of bits in the network mask.
- p2mp option displays all P2MP forwarding entries for the specified destination or a specified in-label value or a P2MP-ID.
- p2p option displays all P2P forwarding entries for the specified destination or a specified in-label value.

**TABLE 26** Output from the show mpls forwarding command

This field...	Displays...
dest-prefix	The destination FEC of the LSP.
in-lbl	The incoming segment or upstream label for the LSP. A value of 0 indicates the absence of the segment.

# 1 Displaying the Traffic Engineering database

**TABLE 26** Output from the show mpls forwarding command (Continued)

This field...	Displays...
in-intf	The interface through which the label identified in the in-lbl column has been received for the LSP. A value of 0 indicates the absence of the segment. When applicable, the in-intf field also displays a VE interface specified by the <vid> variable.
out-lbl	The outgoing segment or downstream label for the LSP.
out-intf	The interface through which the label identified in the out-lbl column has been distributed for the LSP. The out-intf field displays whether an interface/port is an Ethernet port, POS port, or a VE interface. The VE interface ID specified by the vid variable. The out-intf display format for interface/port is as follows: <ul style="list-style-type: none"><li>• [e p] slot/port</li></ul> “e” represents an Ethernet port “p” represents a POS port
sig	The signal protocol type associated with the label. Possible values are: <ul style="list-style-type: none"><li>• L - LDP</li><li>• R - RSVP</li></ul>
next-hop	The next hop of the LSP.
DET	DET specifies that this is a Detour path.

## Displaying the P2MP hardware forwarding information

The show mpls lsp\_p2mp\_xc command is introduced to display information about the forwarding information of hardware that is allocated for the point-to-multipoint (P2MP) cross-connect.

```
Brocade# show mpls lsp_p2mp_xc 1159
TOTAL OUT_SEGS under the given in_label = 1

      BRANCH-ID  OUT-LABEL  OUT-PORT    NH-ID
            0           0         14         6
Event History -
Tue Aug 14 02:21:54 2012 P2MP BRANCH ADD
Tue Aug 14 02:21:54 2012 P2MP XC ADD
```

```
flag: 0, pool_index:1, avail_data:270e0800
```

Syntax: `lsp_p2mp_xc in_label`

*in\_label* specifies the MPLS input label value.

## Displaying RSVP information

The user can display RSVP version information, the status of RSVP interfaces, RSVP session information, and RSVP statistics.

## Displaying the RSVP version

To display the RSVP version number, as well as the refresh interval and refresh multiple.

```
Brocade# show mpls rsvp
Resource ReSerVation Protocol, version 1. rfc2205
RSVP protocol           = Enabled
R (refresh interval) = 30 seconds
K (refresh multiple) = 3
```

Syntax: show mpls rsvp

## Displaying the status of RSVP interfaces

Use the following command to display the status of RSVP on devices where it is enabled.

```
Brocade# show mpls rsvp interface
Num of OutSegs      Num of
Interface           State MD5 RelMsg Bundle SRefresh Act/Inact/Resv Preempts
e3/2 (Trunk8)      Up   OFF ON   ON   ON   0/0/0      0
e3/4 (Trunk9)      Up   OFF ON   ON   ON   0/0/0      0
e3/6                Up   OFF ON   ON   ON   0/0/0      0
e3/7 (Trunk2)      Up   OFF ON   ON   ON   1699/0/1684 1142
e3/8 (Trunk6)      Up   OFF ON   ON   ON   167/0/106   0
e4/3 (Trunk3)      Up   OFF ON   ON   ON   2526/0/2526 1471
e4/5 (Trunk4)      Up   OFF ON   ON   ON   8421/0/8421 2774
e7/1 (Trunk17)     Up   OFF ON   ON   ON   8480/0/8421 5479
e7/2 (Trunk19)     Up   OFF ON   ON   ON   7489/0/7484 0
e9/3 (Trunk7)      Up   OFF ON   ON   ON   178/0/158   0
(output truncated)
```

Alternatively, for a shorter output, enter the brief version of the command.

```
Brocade# show mpls rsvp interface brief
Interface State MD5 Auth
e2/1 Up   OFF
e2/2 Dn   OFF
e4/1 Dn   OFF
e4/2 Dn   OFF
```

In the previous example, interfaces e2/1, e2/2, e4/1, and e4/2 have been enabled for RSVP. Of these interfaces, interface e2/1 can actively send and receive RSVP messages.

Syntax: show mpls rsvp interface [brief]

Table 27 shows the information displayed for each RSVP-enabled interface.

**TABLE 27** Output from the show mpls rsvp interface command

Field	Description
Interface	The RSVP-enabled interface and associated trunk (when applicable).
Status	Whether the interface is up or down.

# 1 Displaying the Traffic Engineering database

**TABLE 27** Output from the show mpls rsvp interface command (Continued)

Field	Description
MD5	Whether RSVP message authentication is enabled on the interface.
RelMsg	Whether RSVP reliable messaging is enabled on the interface.
Bundle	Whether RSVP bundle messages are enabled on the interface.
SRefresh	Whether RSVP summary refresh is enabled on the interface.
Num of OutSegs Act/Inact/Resv	Out segments are traffic connections on the link. These connections may be active or inactive. 'Resv' represents the number of active out segments with a nonzero mean rate.
Num of Preempts	Number of times lower priority ISPs have been preempted on this interface.

Use the following command to display detailed information about RSVP-enabled interfaces.

```

Brocade# show mpls rsvp interface detail
Interface State MD5 Auth
      e2/1 Up    OFF

          Total
PacketType   Sent   Received   Since last clear
              Sent   Received   Sent   Received
Path         0     5745      0     5745
Resv        5852    0        5852    0
PathErr     0      0         0      0
ResvErr     0      0         0      0
PathTear    0      6         0      6
ResvTear    0      0         0      0

Errors              Total           Since last clear
Rcv MD5 Auth Errors  0                0
  
```

Syntax: show mpls rsvp interface detail

Table 28 shows the detail information displayed for each RSVP-enabled interface.

**TABLE 28** Output from the show mpls rsvp interface detail command

Field	Description
Interface	The RSVP-enabled interface can be an Ethernet interface or a VE-enabled interface. The VE interface ID is specified by the <vid> variable.
Path	The number of Path messages sent and received on the interface. Path messages store information about the state of the path along the LSRs in the LSP.
PathErr	The number of PathErr messages sent and received on the interface.
PathTear	The number of PathTear messages sent and received on the interface. PathTear messages cause path states to be deleted.
Resv	The number of Resv messages sent and received on the interface. Resv messages include Fixed Filter (FF), Wildcard Filter (WF), and Shared Explicit (SE) messages.
ResvErr	The number of ResvErr messages sent and received on the interface.
ResvTear	The number of ResvTear messages sent and received on the interface. ResvTear messages cause reservation states to be deleted.
MD5 Auth Errors	The number of MD5 authentication errors on received packets on the interface.
Bundle	The number of bundled RSVP messages sent and received on the interface.



**TABLE 28** Output from the show mpls rsvp interface detail command (Continued)

Field	Description
Ack	The number of Ack messages sent and received on the interface. Ack messages are reliable messaging acknowledgements of RSVP trigger messages.
SumRefresh	The number of summary refresh messages sent and received on the interface. Summary refresh messages are RSVP packets listing message IDs of unchanged Resv and Path messages to support RSVP refresh reduction.

To clear the RSVP statistics counters, use the following command.

```
Brocade# clear mpls rsvp statistics
```

Syntax: clear mpls rsvp statistics

This command resets the counters listed under “Since last clear” for the show mpls rsvp interface detail and show mpls rsvp statistics commands.

### Displaying RSVP session information

To display RSVP session information, use the following command.

```
Brocade(config)# show mpls rsvp session
Codes: DI:Ingress Detour DT:Transit Detour DM:Merged Detour
       DE:Egress Detour BI:Ingress Backup BM: Merged Backup BE:Egress Backup
       RP:Repaired Session BYI: Bypass Ingress
Ingress RSVP: 10 session(s)
To          From          St Style Lbl_In  Lbl_Out Out_If LSPname
10.22.22.22 10.11.11.11 Up FF - 3 e4/3 xmr2
10.33.33.33 10.11.11.11(DI) Up SE - 3 e4/4 rj-vpls
10.33.33.33 10.11.11.11 Up SE - 1039 e1/15 rj-vpls
.....
Transit RSVP: 1009 session(s)
To          From          St Style Lbl_In  Lbl_Out Out_If LSPname
10.22.22.22 10.33.33.33 Up SE 1024 3 e4/3 2
10.22.22.22 10.33.33.33(DI) Up SE 1072 1319 e2/4 toxmr2frr-
.....
Egress RSVP: 62 session(s)
To          From          St Style Lbl_In  Lbl_Out Out_If LSPname
10.11.11.11 10.22.22.22(DE) Up SE 3 - - toxml-frr
10.11.11.11 210.22.22.22(DE) Up SE 3 - - toxml-frr
10.11.11.11 10.22.22.22 Up SE 3 - - toxml-frr
10.11.11.11 10.44.44.44 Up FF 3 - - toxmr1
```

Syntax: show mpls rsvp session [name session-name] [ingress | transit | egress] [brief | detail | extensive | wide] [include]

The ingress option limits the display to Ingress RSVP sessions.

The transit option limits the display to Transit RSVP sessions.

The egress option limits the display to Egress RSVP sessions.

The brief option limits the display to only brief RSVP session information.

# 1 Displaying the Traffic Engineering database

The detail option displays detailed RSVP session information.

The extensive option displays extensive RSVP session information.

The wide option displays display the full LSP name in a single line.

---

## NOTE

The show mpls rsvp session brief command displays the same information as the show mpls rsvp session command.

---

Table 29 describes the output of the show mpls rsvp session command.

**TABLE 29** Output from the show mpls rsvp session command

This field...	Displays...
Ingress RSVP	Information about ingress RSVP sessions.
Transit RSVP	Information about transit RSVP sessions.
Egress RSVP	Information about egress RSVP sessions.
To	Destination (egress LER) of the session.
From	Source (ingress LER) of the session; the source address for the LSP that was configured with the from command.
St	State can be UP or DOWN.
Style	The RSVP reservation style. Possible values are FF (Fixed Filter), WF (Wildcard Filter), or SE (Shared Explicit).
Lbl_In	The label for inbound packets on this LSP.
Lbl_Out	The label applied to outbound packets on this LSP.
Out_if	The outbound interface displays the egress interface for a session. When applicable, the outbound interface displays a VE interface specified by the vid variable.
LSPname	The name of the LSP.

---

The show mpls rsvp session detail command displays when the session is downstream only, as shown in the following example.

```

Brocade# show mpls rsvp session detail
Codes: DI:Ingress Detour DT:Transit Detour DM:Merged Detour
      DE:Egress Detour BI:Ingress Backup BM: Merged Backup BE:Egress Backup
      RP:Repaired Session BYI: Bypass Ingress

Ingress RSVP:      1 session(s)
To                From                St Style Lbl_In  Lbl_Out Out_If LSPname
10.140.140.4     10.130.130.3(DI)  Up SE   -       1024    e1/10  to4
  Tunnel ID: 1, LSP ID: 1
  Time left in seconds (PATH refresh: 2, ttd: 4287904
                        RESV refresh: 26, ttd: 154)
  Tspec: peak 400000 kbps rate 0 kbps size 0 bytes m 20 M 65535
  Explicit path hop count: 2
    10.20.20.2 (S) -> 10.35.35.4 (S)
  Received RRO count: 2
    Protection codes/Rtr Id flag: P: Local N: Node B: Bandwidth I: InUse R: RtrId
    10.20.20.2 -> 10.35.35.4
  Detour Sent: Number of PLR and Avoid Node ID pair(s): 1
    [1]: PLR: 10.30.30.3 Avoid Node: 0.0.0.0
PATH rcvfrom: None (downstream only)
  PATH sentto: 10.20.20.2 (e1/10 ) (MD5 OFF)
  RESV rcvfrom: 10.20.20.2 (e1/10 ) (MD5 OFF)
    
```

Syntax: show mpls rsvp session detail

The show mpls rsvp session command with the detail option displays the same information described in [Table 29](#), as well additional fields described in [Table 30](#).

**TABLE 30** Output from the show mpls rsvp session detail command

This field...	Displays...
Time left in seconds	The amount of time left for the PATH or RESV refreshes.
Tspec	Traffic engineering specification for the LSP, including the max-rate (“peak”), mean rate (“rate”), number of burst bytes (“size”), maximum policed unit (“M”—or maximum packet size), and minimum policed unit (“m”—or minimum packet size).
Explicit path hop count	The number of explicit hops used in this RSVP session.
Received RRO count	The number of Record Route Objects received on this RSVP session.
PATH sentto	Address of the next LSR in the LSP, and the interface used to reach this LSR. When applicable, ‘PATH sentto’ displays a VE interface specified by the vid variable.
PATH rcvfrom	Address of the previous LSR in the LSP, and the interface used to reach this LSR. When the session is downstream only, then it is displayed. When applicable, ‘PATH rcvfrom’ displays a VE interface specified by the vid variable.

# 1 Displaying the Traffic Engineering database

The extensive option provides the contents of the history buffer for the last 20 RSVP events, as shown in the following example.

```
Brocade# show mpls rsvp session extensive
Codes: DI:Ingress Detour DT:Transit Detour DM:Merged Detour
      DE:Egress Detour BI:Ingress Backup BM: Merged Backup BE:Egress Backup
      RP:Repaired Session BYI: Bypass Ingress
Ingress RSVP: 7 session(s)
To          From          St Style Lbl_In  Lbl_Out Out_If LSPname
10.33.33.33 10.11.11.11(DI)      Up SE   -       3       e4/4   rj-vpls
Tunnel ID: 1, LSP ID: 1
Time left in seconds (PATH refresh: 10, ttd: 4288020
                    RESV refresh: 0, ttd: 4288177)
Tspec: peak 0 kbps rate 0 kbps size 0 bytes m 20 M 65535
Explicit path hop count: 1
  10.0.0.6 (S)
Received RRO count: 1
Protection codes/Rtr Id flag: P: Local N: Node B: Bandwidth I: InUse R: RtrId
  10.0.0.6
Detour Sent: Number of PLR and Avoid Node ID pair(s): 1
 [1]: PLR: 10.1.1.1 Avoid Node: 10.1.1.2
PATH sentto: 10.0.0.6 (e4/4) (MD5 OFF)
RESV rcvfrom: 10.0.0.6 (e4/4) (MD5 OFF)
PATH history:
  1 Dec 10 11:57:59 Query route to 10.33.33.33: nhop 10.0.0.6
  2 Dec 10 11:57:59 Tx PATH: out if(e4/4), flg(0x01000500/0x0000000a)
  3 Dec 10 11:57:59 Rx RESV: label(3), flg(0x01000500/0x0000000a)
  4 Dec 10 11:57:59 Tx cnnt req: hdl(0x0010c001), flg(0x01100500/0x0000000a)
  5 Dec 10 11:57:59 Start TC event(NEW_FLOW): action(0x0000000a)
  6 Dec 10 11:57:59 Rx cnnt resp: hdl(0x0010c001), flg(0x01100500/0x0000000a)
  7 Dec 10 11:57:59 Complete TC event(NEW_FLOW)
RESV history:
  1 Dec 10 11:57:59 Add RSB: style(SE), filterSpec(1), flg(0x00000000)
  2 Dec 10 11:57:59 Add filterSpec: 10.11.11.11/1, label(3)
```

The show mpls rsvp session command with the extensive option displays the same information described in [Table 29](#), [Table 30](#), [Table 32](#) and [Table 34](#), as well as a history of the last 20 RSVP events with each event containing the following information:

- Event index (used to provide the total number of events)
- Time stamp
- File name and line number where the event is logged
- Event description and extra information associated with each event. For repeated events, such as route query, the attempt count indicates the number of times the event has occurred.

The show mpls rsvp session wide command allows the user to display the full LSP name in a single line. Previously, a long LSP name (greater than 12 characters) was text-wrapped in multiple lines. Now, the full LSP name can be displayed in a single line as shown in the following example.

```
Brocade# show mpls rsvp session wide
Codes: DI:Ingress Detour DT:Transit Detour DM:Merged Detour
       DE:Egress Detour BI:Ingress Backup BM: Merged Backup BE:Egress Backup
       RP:Repaired Session BYI: Bypass Ingress
```

```
Ingress RSVP: 4 session(s)
10.3.3.3 10.2.2.2 Up SE - 3 e1/1 tunnel1
10.3.3.3 10.10.10.10(BI) Dn - - - e1/3 tunnel1
10.3.3.3 10.2.2.2(BYI) Up SE - 3 e1/3 by1
10.3.3.3 10.2.2.2 Up SE - 3 e1/1 tunnelfromsanfranciscotonewyork
10.3.3.3 10.10.10.10(BI) Dn - - - e1/3 tunnelfromsanfranciscotonewyork
10.3.3.3 10.2.2.2(BYI) Up SE - 3 e1/3 bypasstunnelfromsfotonewyork
```

```
Transit RSVP: 0 session(s)
Egress RSVP: 0 session(s)
```

Syntax: show mpls rsvp session wide

The include option can be used with the show mpls rsvp session wide command to filter and display a specific RSVP session.

```
Brocade# show mpls rsvp session wide | include tunnelfromsanfranciscotonewyork
To      From          St Style Lbl_In  Lbl_Out Out_If  LSPname
10.3.3.3 10.2.2.2      Up SE   -       3       e1/1   tunnelfromsanfranciscotonewyork
10.3.3.3 10.10.10.10(BI) Dn - - -     e1/3   tunnelfromsanfranciscotonewyork
```

Syntax: show mpls rsvp session [wide [| include session-name]]

The *session-name* variable specifies the name of the RSVP session the user wants to display.

The show mpls rsvp session wide command can also be used with other RSVP session options, such as backup, detour, ingress, and so on to display the full LSP name in a single line. The following example displays the output from the show mpls rsvp session backup wide command.

---

#### NOTE

The show mpls rsvp session wide backup command and the show mpls rsvp session backup wide command can be used interchangeably. The output from both commands are the same.

---

```
Brocade# show mpls rsvp session backup wide
Codes: DI:Ingress Detour DT:Transit Detour DM:Merged Detour
       DE:Egress Detour BI:Ingress Backup BM: Merged Backup BE:Egress Backup
       RP:Repaired Session BYI: Bypass Ingress
```

```
Ingress RSVP: 2 session(s)
To      From          St Style Lbl_In  Lbl_Out Out_If  LSPname
10.3.3.3 10.2.2.2      Up SE   -       3       e1/1   tunnel1
10.3.3.3 10.10.10.10(BI) Dn - - -     e1/3   tunnel1
10.3.3.3 10.2.2.2      Up SE   -       3       e1/1   tunnelfromsanfranciscotonewyork
10.3.3.3 10.10.10.10(BI) Dn - - -     e1/3   tunnelfromsanfranciscotonewyork
```

Syntax: show mpls rsvp session wide [backup | bypass | detour | ingress | egress | transit | name | up | down]

# 1 Displaying the Traffic Engineering database

The backup option limits the display to backup RSVP sessions.

The bypass option limits the display to bypass RSVP sessions.

The detour option limits the display to detour RSVP sessions.

The ingress option limits the display to ingress RSVP sessions.

The egress option limits the display to egress RSVP sessions.

The transit option limits the display to transit RSVP sessions.

The name option limits the display to the RSVP session name.

The up option limits the display to an active RSVP session.

The down option limits the display to an inactive RSVP session.

## Displaying RSVP P2MP session information

The `show mpls rsvp session p2mp` command filters the RSVP sessions based on the P2MP LSP type.

```
Brocade# show mpls rsvp session p2mp
Codes: DI:Ingress Detour DT:Transit Detour DM:Merged Detour
       DE:Egress Detour BI:Ingress Backup BM: Merged Backup BE:Egress Backup
       RP:Repaired Session BYI: Bypass Ingress
```

```
Total Number of such sessions are: 4
```

```
Ingress RSVP: 0 session(s)
```

```
Transit RSVP: 4 session(s)
```

```
P2MP_Id From Tunnel_Id Style Lbl_In Num_S2l LSPname
10.10.10.1 7.7.7.6 16 SE 1037 2 test-p2mp
22.2.2.2 5.5.5.1 43 FF 3021 6 to-nyc
0.0.0.127 7.7.7.6 31 SE 4836 52 to-london
0.0.1.144 5.5.5.1 49 SE 3357 7 to-sfo
Egress RSVP: 0 session(s)
```

Syntax: `show mpls rsvp session p2mp [brief | detail | down | egress | extensive | in-interface | ingress | name | out-interface | ppend | s2l | transit | up | wide ]`

The brief option displays a brief P2MP session information.

The detail option displays a detailed P2MP session information.

The down option limits the display to an inactive P2MP session.

The egress option limits the display to egress P2MP sessions.

The extensive option limits the display to extensive P2MP sessions.

The in-interface option displays RSVP sessions coming into an interface.

The ingress option limits the display to ingress P2MP sessions.

The name option limits the display to the P2MP session name.

The out-interface option displays RSVP sessions going out of an interface.

The ppend option displays sessions in the soft preemption pending state.

The s2l option displays P2MP source to leaf sub-LSPs.

The transit option limits the display to transit P2MP sessions.

The up option limits the display to an active P2MP session.

The wide option displays long LSP names.

## Displaying RSVP statistics

The device constantly gathers RSVP statistics. RSVP statistics are collected from the time RSVP is enabled, as well as from the last time the RSVP statistics counters were cleared.

To display RSVP statistics.

```

Brocade# show mpls rsvp statistics
          Total                               Since last clear
PacketType  Sent      Received      Sent      Received
Path        4         4           4         4
Resv        4         4           4         4
PathErr     0         0           0         0
ResvErr     0         0           0         0
PathTear    0         0           0         0
ResvTear    0         0           0         0
ResvConf    0         0           0         0

Errors      Total                               Since last clear
Rcv pkt bad length    0           0
Rcv pkt unknown type  0           0
Rcv pkt bad version   0           0
Rcv pkt bad cksum     0           0
Memory alloc fail     0           0
Rcv pkt processing error:
  Path                0           0
  Resv                0           0
  PathErr             0           0
  ResvErr             0           0
  PathTear            0           0
  ResvTear            0           0
  ResvConf            0           0
    
```

Syntax: show mpls rsvp statistics

The following table describes the output of the show mpls rsvp statistics command.

**TABLE 31** Output from the show mpls rsvp statistics command

This field...	Displays...
Path	The number of Path messages sent and received. Path messages store information about the state of the path along the LSRs in the LSP.
Resv	The number of RESV messages sent and received. RESV messages include FF (Fixed Filter), WF (Wildcard Filter), and SE (Shared Explicit) messages.
PathErr	The number of PathErr messages sent and received.
ResvErr	The number of ResvErr messages sent and received.

# 1 Displaying the Traffic Engineering database

**TABLE 31** Output from the show mpls rsvp statistics command (Continued)

This field...	Displays...
PathTear	The number of PathTear messages sent and received. PathTear messages cause path states to be deleted.
ResvTear	The number of ResvTear messages sent and received. ResvTear messages cause reservation states to be deleted.
ResvConf	The number of reservation confirmation messages sent and received.
Rcv pkt bad length	The number of times a packet was not processed because it was the wrong length.
Rcv pkt unknown type	The number of times an RSVP packet was not processed because it was not one of the types defined in RFC 2205.
Rcv pkt bad version	The number of times a packet was not processed because it was an RSVP version other than 1.
Rcv pkt bad cksum	The number of times a packet was not processed because of a bad RSVP checksum.
Memory alloc fail	The number of times a packet was not processed because RSVP memory allocation failed on the device.
Rcv pkt processing error	
Path	The number of Path messages received with a packet processing error.
Resv	The number of RESV messages received with a packet processing error.
PathErr	The number of PathErr messages received with a packet processing error.
ResvErr	The number of ResvErr messages received with a packet processing error.
PathTear	The number of PathTear messages received with a packet processing error.
ResvTear	The number of reservation confirmation messages received with a packet processing error.
ResvConf	The number of reservation confirmation messages received with a packet processing error.

To clear the RSVP statistics counters.

```
Brocade# clear mpls rsvp statistics
```

Syntax: clear mpls rsvp statistics

This command resets the counters listed under “since last clear” for the show mpls rsvp interface detail and show mpls rsvp statistics commands.

## Displaying RSVP session destination information

To display information about the RSVP session destination, use the show mpls rsvp session destination command.



```
Brocade(config)# show mpls rsvp session dest 10.30.30.30 source 10.10.10.10 tun :
Codes: DI:Ingress Detour DT:Transit Detour DM:Merged Detour
      DE:Egress Detour BI:Ingress Backup BM: Merged Backup BE:Egress Backup
      RP:Repaired Session BYI: Bypass Ingress
```

Total Number of such sessions are: 1

To	From	St	Style	Lbl_In	Lbl_Out	Out_If	LSPname
10.30.30.30	10.10.10.10	Up	FF	1024	3	e3/1	t1

Syntax: show mpls rsvp session [destination *destination ip* [source *source ip* [tunnel-id *id*]]  
[in-interface | out-interface | backup | brief | bypass | detail | detour | down | egress |  
extensive | ingress | name | ppend | transit | up | wide | p2mp | p2p]

The *destination ip* variable is the destination IP address.

The *source ip* variable is the source IP address.

The tunnel-id *id* variable is numerical value that identifies the tunnel being configured.

The in-interface option limits the display to RSVP sessions coming in through the supplied interface.

The out-interface option limits the display to RSVP sessions going out through the supplied interface.

The backup option limits the display to facility backup RSVP sessions.

The brief option limits the display to brief RSVP session information.

The bypass option limits the display to bypass RSVP sessions.

The detail option limits the display to detailed RSVP session information.

The detour option limits the display to detour RSVP sessions.

The down option limits the display to inactive RSVP sessions.

The egress option limits the display to egress RSVP sessions.

The extensive option limits the display to extensive RSVP session information.

The ingress option limits the display to an ingress RSVP sessions.

The name option limits the display RSVP sessions by name.

The ppend option limits the display to RSVP sessions in soft preemption pending state.

The transit option limits the display to transit RSVP sessions.

The up option limits the display to active RSVP sessions.

The wide option displays the long LSP names.

The p2mp option limits the display to point to multipoint sessions.

The p2p option limits the display to point to point sessions.

---

#### NOTE

By default, running the show mpls rsvp session command displays only P2P sessions. To view P2MP sessions, you need to specify show mpls rsvp session p2mp command.

---

# 1 Displaying the Traffic Engineering database

When the user runs the command with the entire session object (*destination ip, source ip, tunnel id*), the router locates a session based on these filter. The router ignores *in-interface* and *out interface* filters when applied in addition to these filters since the entire session is described by its session object.

The filters and their description are provided in the following sections.

Up displays all the RSVP active sessions.

Down displays all the RSVP inactive sessions.

Active displays all the sessions that are actively using either the facility backup or the one-to-one detour backup LSPs. It also displays the associated protected session.

Inactive displays all the sessions that are not actively using either the facility backup or the one-to-one detour backup LSPs. It also displays the associated protected session.

Protection-available displays all the sessions that have either facility backup protection (BI) available or one-to-one detour protection (DI) available. It also displays the associated protected session.

Protection-unavailable displays all the sessions that are FRR configured but do not have a detour or a backup LSP. In case of FRR facility backup, when the protected session is the active session, then there will not be a BI session available. The session is now considered as a session with protection unavailable.

## Displaying information about OSPF-TE LSAs

To display information about OSPF-TE LSAs.

```
Brocade# show ip ospf database link-state opaque-area
```

Area ID	Type	LS ID	Adv Rtr	Seq(Hex)	Age	Cksum
0	OpAr	10.0.0.0	10.3.3.3	80000006	1337	0x1a19
Area-opaque TE LSA						
1 - router address (len 4): 10.3.3.3						
Area ID	Type	LS ID	Adv Rtr	Seq(Hex)	Age	Cksum
0	OpAr	10.0.0.2	10.2.2.2	80000007	1333	0x88f1
Area-opaque TE LSA						
2 - link (len 100):						
1 - link type (len 1): point-to-point(1)						
2 - link ID (len 4): 10.1.1.1						
3 - local i/f ip addr (len 4): 10.1.1.2						
4 - remote i/f ip addr (len 4): 10.1.1.1						
5 - TE metric (len 4):						
6 - max BW (len 4): 2372 Mbits/sec						
7 - max reservable BW (len 4): 2372 Mbits/sec						
8 - unreserved BW (len 32):						
Priority 0: 2372 Mbits/sec						
Priority 1: 2372 Mbits/sec						
Priority 2: 2372 Mbits/sec						
Priority 3: 2372 Mbits/sec						
Priority 4: 2372 Mbits/sec						
Priority 5: 2372 Mbits/sec						
Priority 6: 2372 Mbits/sec						
Priority 7: 2372 Mbits/sec						
9 - color (len 4): 0						

Syntax: show ip ospf database link-state opaque-area

## Displaying information about IS-IS LSPs with TE extensions

To display information about IS-IS LSPs with TE extensions.

```

Brocade# show isis database level2 detail

IS-IS Level-2 Link State Database
LSPID                LSP Seq Num  LSP Checksum  LSP Holdtime  ATT/P/OL
-----
XMR3.00-00           0x00000644  0x78e3        843            1/0/0
  Area Address: 49.0002
  NLPID: CC(IP)
  Hostname: XMR3
  Auth: Len 17 MD5 Digest "c33db90a87b93c80111980dbd59a19ed"
  TE Router ID: 15.15.15.15
  Metric: 10          IP-Extended 15.15.15.15/32      Up: 0 Subtlv: 0
  Metric: 10          IP-Extended 132.0.0.0/24       Up: 0 Subtlv: 0
  Metric: 10          IP-Extended 121.0.0.0/24       Up: 0 Subtlv: 0
  Metric: 10          IS-Extended PE4.06
  Admin Group: 0x00000000
  Interface IP Address: 121.0.0.2
  Link BW: 1000000 kbits/sec
  Reservable BW: 1000000 kbits/sec
  Unreserved BW:
    [0] 1000000 kbits/sec [1] 1000000 kbits/sec
    [2] 1000000 kbits/sec [3] 1000000 kbits/sec
    [4] 1000000 kbits/sec [5] 1000000 kbits/sec
    [6] 1000000 kbits/sec [7] 1000000 kbits/sec
  Metric: 10          IS-Extended XMR4.00
  Admin Group: 0x00000000
  Interface IP Address: 132.0.0.2
  Neighbor IP Address: 132.0.0.1
  Link BW: 10000000 kbits/sec
  Reservable BW: 10000000 kbits/sec
  Unreserved BW:
    [0] 10000000 kbits/sec [1] 10000000 kbits/sec
    [2] 10000000 kbits/sec [3] 10000000 kbits/sec
    [4] 10000000 kbits/sec [5] 10000000 kbits/sec
    [6] 10000000 kbits/sec [7] 10000000 kbits/sec

```

Syntax: show ip ospf database link-state opaque-area

## Displaying MPLS Fast Reroute information

The following sections describe how to get information about MPLS Fast Reroute:

- [“Displaying MPLS Fast Reroute LSP information”](#)
- [“Displaying RSVP session information”](#)

The commands used to display MPLS and RSVP information are described elsewhere in this document. This section describes the display of information about MPLS Fast Reroute.

## Displaying MPLS Fast Reroute LSP information

To display MPLS Fast Reroute LSP information for a protected LSP that uses one-to-one (detour) backup.

# 1 Displaying the Traffic Engineering database

```
Brocade# show mpls lsp frr_tunnel
LSP frr_tunnel, to 10.4.4.4
  From: 10.1.1.1, admin: UP, status: UP, tunnel interface: tn14
  Times primary LSP goes up since enabled: 1
  Metric: 0, number of installed aliases: 0
  Maximum retries: 0, no. of retries: 0
  Pri. path: p1, active: yes
  Path specific attributes:
    Tunnel interface: tn14, outbound interface: e1/1
    Setup priority: 7, hold priority: 0
    Max rate: 0 kbps, mean rate: 0 kbps, max burst: 0 bytes
    Constraint-based routing enabled: yes
    Tie breaking: random, hop limit: 0
    Explicit path hop counts: 3
    11.1.1.2 (S) -> 13.1.1.2 (S) -> 15.1.1.2 (S)
  Recorded routes:
    Protection codes: P: Local N: Node B: Bandwidth I: InUse
    11.1.1.2 (PNB) -> 13.1.1.2 (PNB) -> 15.1.1.2
Fast Reroute: one-to-one backup desired
Bandwidth: 1024 kbps
Detour LSP: UP, out-label: 1028, outbound interface: e1/3
```

Output that is shown in bold is unique to the show mpls lsp command when the LSP is configured for Fast Reroute by way of detour backup. The output is described in [Table 32](#). Fields that are common to the output from the show mpls lsp command when an LSP is not configured for Fast Reroute are described in [“Displaying signaled LSP status information”](#).

**TABLE 32** Output from the show mpls lsp command

This field...	Displays...
Fast Reroute	The method of Fast Reroute configured for this LSP. Currently only one-to-one backup is available.
Bandwidth	The bandwidth in Kilobits/sec for the bypass route. A value of 0 means that the detour route uses a best effort value for bandwidth.
Detour LSP	Indicates when the detour route is Up or Down.
out-label	The outbound label used when sending traffic over a detour LSP.
outbound interface	The physical interface on the router that is used for the detour route.

## Displaying adaptive bypass LSP information

Enter the show mpls bypass-lsp name command to display information about a bypass LSP.

```

Brocade# show mpls bypass-lsp name t100
LSP t100, to 10.1.1.1
  From: 10.2.2.2, admin: UP, status: UP
  Times primary LSP goes up since enabled: 1
  Metric: 0, number of installed aliases: 0 Adaptive
  Maximum retries: NONE, no. of retries: 0
  Pri. path: NONE, up: no, active: no
  Setup priority: 7, hold priority: 0 ReoptimizeTimer: 300
  Max rate: 0 kbps, mean rate: 0 kbps, max burst: 0 bytes
  Constraint-based routing enabled: yes
    Path calculated using constraint-based routing: no
    Path calculated using interface constraint: no
  Tie breaking: random, hop limit: 0
  Active Path attributes:
    
```

Table 33 describes the fields that are unique to adaptive LSPs. For the descriptions of fields other than those described in Table 33, refer to Table 23.

**TABLE 33** Output from the show mpls bypass-lsp name command

Field	Description
Adaptive	The bypass LSP was configured to be adaptive.
Reoptimizetimer	The period in seconds between attempts to automatically optimize the route of the bypass LSP.

## Displaying RSVP session information

To display RSVP Session information for a protected LSP.

### NOTE

This section provides a brief example of the display from the show mpls rsvp session command. In the section titled “Example of MPLS Fast Reroute configuration”, a detailed example of a network is given, and examples of output from the show mpls rsvp session command are displayed from each of the routers in the configuration, along with a descriptions of the relevant information in the displays.

```

Brocade# show mpls rsvp session name frr_tunnel
Codes: DI:Ingress Detour DT:Transit Detour DM:Merged Detour
      DE:Egress Detour RP:Repaired Session
To      From      St      Style Lbl_in  Lbl_out  LSPname
10.4.4.4 10.1.1.1(DI)    Up      SE     -       1028     frr_tunnel
Time left in seconds (PATH refresh: 1, ttd: 4294621
                    RESV refresh: 20, ttd: 156)
Tspec: peak 0 kbps rate 1024 kbps size 0 bytes m 20 M 65535
Explicit path hop count: 3
 12.1.1.2 (S) -> 18.1.1.2 (S) -> 15.1.1.2 (S)
Received RRO count: 3
Protection codes: P: Local N: Node B: Bandwidth I: InUse
 12.1.1.2 -> 18.1.1.2 -> 15.1.1.2
Detour Sent: Number of PLR and Avoid Node ID pair(s): 1
 [1]: PLR: 11.1.1.1 Avoid Node: 11.1.1.2
PATH sentto: 12.1.1.2 (e1/3) (MD5 OFF)
RESV rcvfrom: 12.1.1.2 (e1/3) (MD5 OFF)
To      From      St      Style Lbl_in  Lbl_out  LSPname
10.4.4.4 10.1.1.1    Up      SE     -       1029     frr_tunnel
Time left in seconds (PATH refresh: 6, ttd: 146
                    RESV refresh: 20, ttd: 140)
    
```

# 1 Displaying the Traffic Engineering database

```
Tspec: peak 0 kbps rate 0 kbps size 0 bytes m 20 M 65535
Fast Reroute: one-to-one backup desired
Setup priority: 7, hold priority: 0
Bandwidth: 1024 kbps, hop limit: 255
Detour LSP: UP. Nexthop (node) protection available.
Up/Down times: 1, num retries: 0
Explicit path hop count: 3
11.1.1.2 (S) -> 13.1.1.2 (S) -> 15.1.1.2 (S)
Received RRO count: 3
Protection codes: P: Local N: Node B: Bandwidth I: InUse
11.1.1.2 (PNB) -> 13.1.1.2 (PNB) -> 15.1.1.2
PATH sentto: 11.1.1.2 (e1/1) (MD5 OFF)
RESV rcvfrom: 11.1.1.2 (e1/1) (MD5 OFF)
```

For each RSVP-enabled interface, the following information is displayed

**TABLE 34** Output from the show mpls rsvp session command

This field...	Displays...
Explicit path hop count	The number of explicit hops used in this RSVP session.
Received RRO count	The number of Record Route Objects received on this RSVP session.
Detour Sent	Detour objects sent to the downstream node.
Detour Recvd	Detour objects received from the downstream node.
Number of PLR and Avoid Node ID pairs	Details of each detour object sent.

For each RSVP-enabled interface, the following information is displayed

**TABLE 35** Output from the show mpls rsvp session command

This field...	Displays...
DI	Ingress Detour. Specifies that this RSVP LSP is a detour LSP and it originates on this node (which is also a PLR of an FRR LSP).
DT	Transit Detour. Specifies that this RSVP LSP is a detour and is transiting this node.
DM	Merged Detour. Specifies that this RSVP LSP is a detour LSP and it merges with another LSP (either a detour or a protected LSP) at this node (which is also a PLR for an FRR LSP).
DE	Egress Detour. Specifies that this RSVP LSP is a detour LSP and it is merging at an egress node of the protected path.
RP	Repaired Session. Specifies that this RSVP LSP is a protected LSP which has been locally repaired by the detour LSP on this node.

Syntax: show mpls rsvp session [brief | detail / session-name]

Using the brief option displays brief information about all of the RSVP sessions on the router.

Using the detail option displays detailed information about all of the RSVP sessions on the router.

When the user specifies a session name using the session-name variable, only the RSVP session specified is displayed in the detailed format.

## Displaying MPLS configuration information

The show mpls config command displays all of the user-configured MPLS parameters. Using the show mpls config command, the user can display all of the following global parameters configured on a Brocade device:

- ldp
- rsvp
- policy
- mpls-interface
- lsp
- path
- mpls vll
- mpls vpls
- vll local
- bypass-lsp

The user can display the MPLS configuration information in any of the following modes brief, detail, and filters, as described in the sections that follow.

### Displaying in the brief mode

In this mode, the information under router mpls policy, RSVP, LDP, MPLS OAM configuration (BFD), dynamic bypass global configuration, and SNMP traps are displayed as shown in the following.

```
Brocade# show mpls config brief
policy
  admin-group m2 2
  traffic-eng isis level-1
  no propagate-ttl
  retry-limit 22

rsvp
  refresh-interval 40
  refresh-multiple 25

ldp
hello-interval 20 hello-timeout 50
hello-interval target 20
ka-interval 18
advertise-labels for 5
session 10.30.30.6 key 1 $!dZ@
targeted-peer 10.44.44.20
tunnel-metric 5000
graceful-restart
graceful-restart reconnect-time 200
graceful-restart recovery-time 100
graceful-restart max-neighbor-reconnect-time 100
graceful-restart max-neighbor-recovery-time 75

bfd
  min-tx 100 min-rx 200 multiplier 20

dynamic-bypass
```

# 1 Displaying the Traffic Engineering database

```
enable
enable-all-interfaces
max-bypasses 25
max-bypasses-per-mp 5
reoptimize-timer 20000

lsp-xc-traps enable

end of MPLS configuration
```

Syntax: show mpls config brief

## Displaying in the detail mode

The user can display all of the MPLS global information and all of the MPLS configuration information using the show mpls config command.

```
Brocade# show mpls config
router mpls
  policy
    admin-group m2 2
    traffic-eng isis level-1
    no propagate-ttl
    retry-limit 22
  rsvp
    refresh-interval 40

  ldp
    hello-timeout 12
    ka-interval 18
    advertise-labels for 5
    session 10.30.30.6 key 1 $!dZ@

  mpls interfaces
    mpls-interface e1/1
      ldp-enable

    mpls-interface e1/2
      ldp-enable
      reservable-bandwidth percentage 80
      admin-group 2

  mpls paths
    path mul_to_mu3
      strict 10.1.1.1
      strict 10.1.1.2
      strict 10.3.3.1
      strict 10.3.3.2
    path mul_to_mu2_2
      strict 10.5.1.1
      strict 10.5.1.2
    path mul_to_mu2_1
      strict 10.1.1.1
      strict 10.1.1.2
  lsp fr1
    to 10.4.2.1
    cos 6
```



```
ipmtu 1028
traffic-eng max-rate 180 mean-rate 125
metric 5
shortcuts ospf
frr
    bandwidth 80
    hop-limit 55
enable

lsp lsp13d
to 10.3.3.2
primary mul_to_mu3
cos 7
traffic-eng max-rate 250 mean-rate 120
no cspf
enable

lsp lsp12d
to 10.1.1.2
cos 7
traffic-eng max-rate 100 mean-rate 50
enable

vll c13 5500
vll-peer 10.33.33.1
vlan 200
tagged e 1/3

vll-local l15
vlan 32
untag e 1/4
cos 4

vpls vpmaster 22
vpls-peer 10.66.66.2
vlan 110
multicast active
multicast pimsm-snooping

end of MPLS configuration
```

Syntax: show mpls config

## Displaying MPLS configuration information for a VE interface

The show mpls config command and show running-config command display specific MPLS interface configuration information. When MPLS is configured on a VE interface, the VE interface ID is displayed in the output of the show mpls config command and the show running-config command.

The show mpls config interface command allows the user to display configuration information for an MPLS-enabled interface. The user can specify a VE interface on the CLI. The following example displays CLI commands executed for interface ve 20.

# 1 Displaying the Traffic Engineering database

```
Brocade# show mpls config interface ve 20
mpls-interface ve 20
ldp-enable
```

Syntax: show mpls config interface [ethernet *slot/port* | pos *slot/port* | ve *vid*]

The ve parameter allows the user to limit the display to VE interface ID specified by the *vid* variable.

## Displaying filtered MPLS configuration information

An individual MPLS interface, LSP, VLL, bypass, or VPLS can be specified in the show mpls config command to display configuration of the specified object only. The following example displays the MPLS configuration information for the LSP named “frr1”.

```
Brocade# show mpls config lsp frr1
lsp frr1
to 10.4.2.1
cos 6
ipmtu 1028
traffic-eng max-rate 180 mean-rate 125
metric 5
shortcuts ospf
frr
bandwidth 80
hop-limit 55
enable
```

Syntax: show mpls config lsp *lsp-name* | path *path-name* | interface *interface-name* | vll *vll-name* | vll-local *vll-local-name* | vpls *vpls-name* | bypass *bypass-name*

The lsp option lets the user limit the display to configuration information for the LSP specified by *lsp-name*.

The path option lets the user limit the display to configuration information for the path specified by *path-name*.

The interface option allows the user to limit the display to configuration information for a specified MPLS interface. The *interface-name* can be either a POS, Ethernet, or VE -enabled interface. A POS or Ethernet interface is specified by interface type and slot/port. For example, ethernet 3/2 specifies an Ethernet interface on port 2 of the Interface module installed in slot 3. The VE interface ID specified by the *vid* variable.

The vll option lets the user limit the display to configuration information for the VLL specified by *vll-name*.

The vll-local option lets the user limit the display to configuration information for the Local VLL specified by the *vll-local-name* variable.

The vpls option lets the user limit the display to configuration information for the VLL specified by *vpls-name*.

The bypass-lsp option lets the user limit the display to information for the bypass LSP specified by *bypass-name*.

When an option is used without a variable specified, the configuration parameters for the option are shown for all elements that match the option are displayed. For instance, in the following example the `lsp` option is used without a specified `lsp-name` variable. Consequently, the display contains the configuration information for all three LSPs configured on the router.

```
Brocade# mpls config lsp
lsp frr1
  to 10.4.2.1
  cos 6
  ipmtu 1028
  traffic-eng max-rate 180 mean-rate 125
  metric 5
  shortcuts ospf
  frr
    bandwidth 80
    hop-limit 55
  enable

lsp lsp13d
  to 10.3.3.2
  primary mul_to_mu3
  cos 7
  traffic-eng max-rate 250 mean-rate 120
  no cspf
  enable

lsp lsp12d
  to 10.1.1.2
  cos 7
  traffic-eng max-rate 100 mean-rate 50
  enable
```

## Transit LSP statistics

Transit LSP statistics extends the ability to collect and display traffic statistics on a transit router for both LDP and RSVP.

### Brocade MLX series and NetIron XMR limitations

---

**NOTE**

Not all interface modules support transit LSP statistics. Gen-2 interface modules that do support packet count, byte count and rate include the 24x10G, 2x100G, and 8x10G modules.

---

Refer to [Table 36](#) for additional interface module and packet count support.

**TABLE 36** Transit LSP module support

Interface module	Feature support		
	Packet count	Byte count	Rate (kbps)
NI-MLX-1GX20-GC	X		
NI-XMR-1Gx20-GC	X		
NI-XMR-10Gx4	X		
NI-MLX-10GX4	X		
BR-MLX-10GX4-X	X		
BR-MLX-10Gx4-X-ML	X		
NI-MLX-10GX8-M	X	X	X
NI-MLX-10GX8-D	X	X	X
BR-MLX-10GX8-X	X	X	X
BR-MLX-10Gx24-DM	X	X	X
BR-MLX-100GX-1	X	X	X
BR-MLX-100GX-2	X	X	X

## NetIron CES and NetIron CER limitations

LDP LSP statistic collection is not supported; only RSVP LSP transit statistics is supported.

Either Packet or (Byte & Rate) are supported, but not both simultaneously.

The number of counters available to collect the statistics is limited to 2K even though the NetIron CER and NetIron CES support 4K transit sessions.

## Displaying MPLS statistics

The following sections describe the commands used to gather MPLS statistics.

### Displaying MPLS label statistics

Use the show mpls statistics label command to display the incoming byte count and rate (in kbps) on per label basis.

```

BROCADE# show mpls statistics label
In-label   In-Port(s)   In-Packet Count   In-Byte Count   Rate(in kbps)
1024      e2/1 - e2/4   0                 0                0
          e2/5 - e2/8   0                 0                0
1025      e2/1 - e2/4   4929              542190           119
          e2/5 - e2/8   0                 0                0
2228      e3/1 - e3/8   0                 0                0
          e3/9 - e3/16  81688115422       13886979621740  7345166
          e3/17 - e3/24 0                 0                0
1024      e4/1 - e4/24 4929
--        --

```

To display all MPLS traffic statistics by their MPLS label value, enter a command such as the following

```

BROCADE# show mpls statistics label 2228
In-label      In-Port(s)      In-Packet Count      In-Byte Count      Rate(in kbps)
2228          e3/1 - e3/8      0                    0                  0
              e3/9 - e3/16      81688115422          13886979621740    7345166
              e3/17 - e3/24      0                    0                  0

```

Syntax: show mpls statistics label [*interface* | *in-label*]

The *interface* variable allows the user to limit label statistics displayed to a specified interface.

The *in-label* variable allows the user specify the label value.

**TABLE 37** show mpls statistics label output descriptions

This field...	Displays...
In-label	The MPLS label ID.
In-Port(s)	The port where the traffic arrives.
In-Packet Count	The number of packets meeting the In-label and In-port criteria.
In-Byte Count	The number of bytes meeting the In-label and In-port criteria.
Rate (in kbps)	The average of the previous two polling periods.

## Displaying MPLS RSVP session information

Use the show mpls rsvp session transit command to display the packet count, byte count and rate in bytes per second for respective RSVP sessions. This keyword is valid for displaying the statistics for all the transit sessions alone. No ingress and egress sessions are shown with the use of this keyword.

In the example below, at least one interface module that does not support all three statistics.

```

Brocade# show mpls rsvp session transit statistics
* means statistics collection is not supported on one or more of the line cards
Total Number of such sessions are: 4
To          From          Packets      Bytes      Rate-kbps    LSPname
10.150.150.10  10.190.190.9  1007        7654903*  53556*      test1
10.150.150.10  10.190.190.9  0           0*        0*          test22

```

In the example below, all the interface modules support transit statistics.

```

Brocade# # show mpls rsvp session transit statistics
* means statistics collection is not supported on one or more of the line cards

Total Number of such sessions are: 4

To          From          Packets      Bytes      Rate (kbps)    LSPname
10.150.150.10  10.190.190.9  1007        7654903  53556          test1
10.150.150.10  10.190.190.16  626241      56255    485            test2
10.150.150.10  10.190.190.9  65946       35648469  63582         test3
10.150.150.10  10.190.190.9  0           0         0              test4

```

Syntax: show mpls rsvp session transit [[statistics [wide | include]]]

# 1 Transit LSP statistics

The wide option displays display the full LSP name in a single line.

Table 29 describes the output of the show mpls rsvp session command.

**TABLE 38** Output from the show mpls rsvp session command

This field...	Displays...
To	Destination (egress LER) of the session.
From	Source (ingress LER) of the session; the source address for the LSP that was configured with the from command.
Packets	Specifies the number of packets received.
Bytes	Specifies the number of bytes received.
Rate (kbps)	Specifies the number of transmitted bytes.
LSP name	The name of the LSP.

## Displaying MPLS LDP statistics information

Use the show mpls statistics ldp transit command to display the traffic statistics for transit LDP FECs.

```
Brocade# show mpls statistics ldp transit
* means statistics collection is not supported on one or more of the line cards
FEC          Packets    Bytes      Rate-kbps
10.35.3.0/30    0          0*         0*
10.35.10.1/32   0          0*         0*
10.255.245.214/32 112       7566182*  6224*
192.168.37.36/30 532144    2350644*  564*
```

```
Brocade# show mpls statistics ldp transit fec 10.255.245.214
* means statistics collection is not supported on one or more of the line cards
FEC          Packets    Bytes      Rate-kbps
10.255.245.214/32 112       7566182*  6224*
```

Syntax: show mpls statistics ldp transit [fec IP address | subnet mask length [longer]]

## Clearing MPLS statistics

**TABLE 39** Output from the mpls statistics ldp transit command

This field...	Displays...
FEC	The specified FEC for MPLS LDP transit statistics.
Packets	Specifies the number of packets received.
Bytes	Specifies the number of bytes received.
Rate-kbps	Rate is in kilobits per second.

The following sections describe the commands used to clear MPLS statistics.

## Clearing MPLS RSVP sessions

To clear only the RSVP statistics transit counters, enter the following command:

```
Brocade# clear mpls statistics rsvp session 10.2.2.2 10.1.1.1 5
```

Syntax: clear mpls statistics rsvp session *destination ip address* / *source ip address* / *tunnel id*

Where the *destination ip address* specifies the destination IP address of session object.

Where the *source ip address* specifies the source ip address of session object.

Where the *tunnel id* specifies the tunnel ID of session object.

## Clearing MPLS LDP transit statistics

To clear the transit traffic statistics for the specified LDP FEC, enter the following command.

```
Brocade# clear mpls statistics ldp transit fec 10.3.3.3/32
```

Syntax: clear mpls statistics ldp transit fec *ip address* | *subnet mask length*

Where the *ip address* is the IP address configured on this interface.

Where the *subnet mask length* specifies the network prefix mask length.

## Clearing MPLS label statistics

To clear the traffic statistics for the specified incoming label, enter a command such as the following.

```
Brocade# clear mpls statistics label 2032
```

Syntax: clear mpls statistics label [*in-label*]

The *in-label* variable allows the user to specify the label value.

## Sample configurations

To set the counter-mode to packet on the NetIron CES or NetIron CER, enter the following commands.

```
Brocade(config)# router mpls
Brocade(config-mpls)# counter-mode
Brocade(config-mpls)# counter-mode packet
```

To verify the configuration, enter the following command.

```
Brocade(config-mpls)# show mpls configuration
router mpls
  counter-mode packet
mpls-interface e1/11
```

# 1 Transit LSP statistics

```
end of MPLS configuration
```

To reset counter-mode to byte, enter the following command.

```
Brocade(config-mpls)# no counter-mode packet
```

To verify the configuration, enter the following command.

```
Brocade(config-mpls)# show mpls conf
router mpls
mpls-interface e1/11
end of MPLS configuration
```

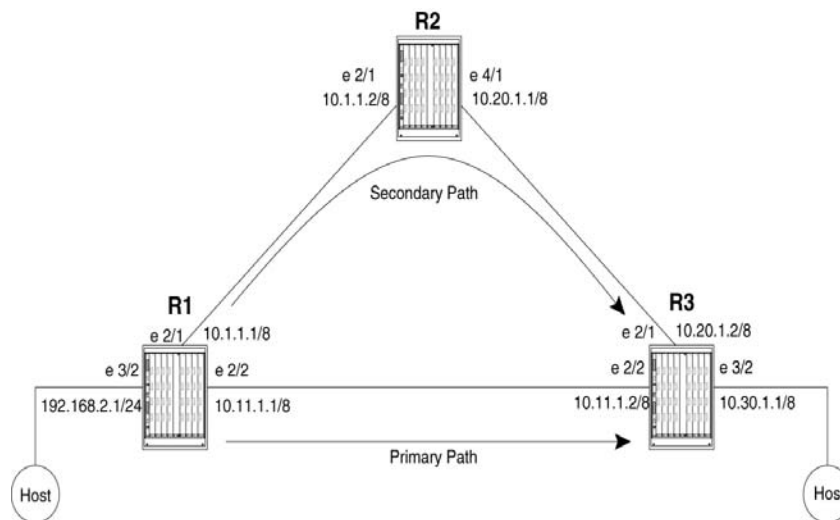
## MPLS sample configurations

This section presents examples of typical MPLS configurations.

### LSP with redundant paths

Figure 43 shows a signaled LSP configuration that has a primary and a secondary path. The destination for this LSP is 10.1.1.1. The primary path to this destination is through interface e 2/2, which has a direct link to interface e 2/2 on R3. When this link fails, the secondary path is established. The secondary path goes through R2.

FIGURE 43 LSP configuration with primary and secondary paths



Router R1 is the ingress LER for signaled LSP t3. Packets whose destination is 10.1.1.1 are assigned to this LSP. Two paths are configured, `direct_conn` and `via_r2`. Path `direct_conn` consists of a single strict node, 10.1.1.2, which is a directly connected interface on the destination LSR, R3.

Path `via_r2` also consists of a single strict node, 10.1.1.2, a directly connected interface on R2. Since path `via_r2` does not specify a node for R3, the hop between R2 and R3 is treated as a hop to a loose node. This means standard hop-by-hop routing is used to determine the path between R2 and R3.



Path `direct_conn` is the primary path for LSP `t3`, and path `via_r2` is the secondary path. When the LSP is enabled, RSVP signaling messages set up path `direct_conn`. Packets assigned to this LSP use this path to reach the destination.

When path `direct_conn` fails, path `via_r2` is set up, and packets assigned to LSP `t3` then use path `via_r2` to reach the destination. By default, the secondary path is not set up until the primary path fails. When the user employs the `standby` parameter in the configuration of the secondary path, both the primary and secondary paths are set up at the same time, although packets assigned to the LSP travel on the primary path only. When the primary path fails, the secondary path immediately carries the traffic.

## Router R1

The following commands configure Router R1 in [Figure 43](#).

```
Brocade(config)# router mpls
Brocade(config-mpls)# mpls-interface e 2/1 e 2/2
Brocade(config-mpls)# path direct_conn
Brocade(config-mpls-path)# strict 10.11.1.2
Brocade(config-mpls-path)# exit
Brocade(config-mpls)# path via_r2
Brocade(config-mpls-path)# strict 10.1.1.2
Brocade(config-mpls-path)# exit
Brocade(config-mpls)# lsp t3
Brocade(config-mpls-lsp)# to 10.30.1.1
Brocade(config-mpls-lsp)# primary direct
Brocade(config-mpls-lsp)# secondary via_r2
Brocade(config-mpls-lsp)# enable
Brocade(config-mpls-lsp)# exit
Brocade(config-mpls)# interface e 2/1
Brocade(config-e10000-2/1)# ip address 10.1.1.1 255.0.0.0
Brocade(config-e10000-2/1)# ip ospf area 1
Brocade(config-e10000-2/1)# exit
Brocade(config-mpls)# interface e 2/2
Brocade(config-e10000-2/2)# ip address 10.11.1.1 255.0.0.0
Brocade(config-e10000-2/2)# ip ospf area 1
Brocade(config-e10000-2/2)# exit
Brocade(config-mpls)# interface e 3/2
Brocade(config-if-e100-3/2)# ip address 192.168.2.1 255.255.255.0
Brocade(config-if-e100-3/2)# exit
Brocade(config)# router ospf
Brocade(config-ospf-router)# area 1
Brocade(config-ospf-router)# exit
```

## Router R2

In the configuration in [Figure 43](#), Router R2 serves as a transit LSR for path `via_r2`. Since path `via_r2` is the secondary path for the LSP, it is used only when the primary path fails.

```
Brocade(config)# router mpls
Brocade(config-mpls)# mpls-interface e 2/1 e 4/1
Brocade(config-mpls)# interface e 2/1
Brocade(config-e10000-2/1)# ip address 10.1.1.2 255.0.0.0
Brocade(config-e10000-2/1)# ip ospf area 1
Brocade(config-e10000-2/1)# exit
```

# 1 Transit LSP statistics

```
Brocade(config-mpls)# interface e 4/1
Brocade(config-e10000-4/1)# ip address 10.20.1.1 255.0.0.0
Brocade(config-e10000-4/1)# ip ospf area 1
Brocade(config-e10000-4/1)# exit
Brocade(config)# router ospf
Brocade(config-ospf-router)# area 1
Brocade(config-ospf-router)# exit
```

## Router R3

In the configuration in [Figure 43](#), Router R3 is the egress LER for LSP t3.

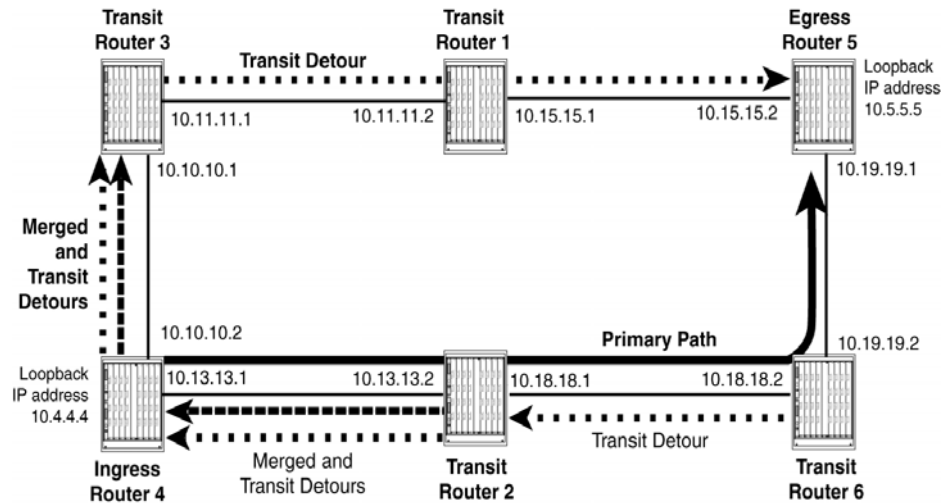
```
Brocade(config)# router mpls
Brocade(config-mpls)# mpls-interface e 2/1 e 2/2
Brocade(config-mpls)# interface pos 2/1
Brocade(config-e10000-2/1)# ip address 10.20.1.2 255.0.0.0
Brocade(config-e10000-2/1)# ip ospf area 1
Brocade(config-e10000-2/1)# exit
Brocade(config-mpls)# interface e 2/2
Brocade(config-e10000-2/2)# ip address 10.11.1.2 255.0.0.0
Brocade(config-e10000-2/2)# ip ospf area 1
Brocade(config-e10000-2/2)# exit
Brocade(config-mpls)# interface e 3/2
Brocade(config-if-e100-3/2)# ip address 10.30.1.1 255.0.0.0
Brocade(config-if-e100-3/2)# exit
Brocade(config)# router ospf
Brocade(config-ospf-router)# area 1
Brocade(config-ospf-router)# exit
```

## Example of MPLS Fast Reroute configuration

This example describes an MPLS Fast Reroute Loop Configuration. It provides the configuration required on Ingress Router 4 and examples of the show mpls rsvp session displays for all of the routers in the configuration. These examples show how the MPLS Fast Reroute configuration of an LSP affects the RSVP session on each of the routers in the configuration.

As illustrated in [Figure 44](#) and described in the configuration example that follows, Ingress Router 4 is configured with a strict Label Switch Path A to Egress Router 5. In this configuration, when the path is broken between Ingress Router 4 and Egress Router 5, Transit Routers 2 or 6 take a detour path back through Ingress Router 4 and continue through Transit Routers 3 and 1 to reach Egress Router 5.

**FIGURE 44** MPLS Fast Reroute Loop configuration



The following is the MPLS Fast Reroute configuration for Ingress Router 4.

```

Router4(config)# interface loopback 1
Router4(config-lbif-1)# ip address 10.4.4.4/24
Router4(config)# interface ethernet 2/1
Router4(config-if-e1000-2/1)# ip address 10.10.10.2/24
Router4(config)# interface ethernet 2/9
Router4(config-if-e1000-2/9)# ip address 10.13.13.1/24
Router4(config)# router mpls
Router4(config-mpls)# mpls-interface ethernet 2/1 ethernet 2/9
Router4(config-mpls)# path a
Router4(config-mpls-path-a)# strict 10.2.2.2
Router4(config-mpls-path-a)# strict 10.6.6.6
Router4(config-mpls)# lsp 1
Router4(config-mpls-lsp-1)# to 10.5.5.5
Router4(config-mpls-lsp-1)# primary-path a
Router4(config-mpls-lsp-1)# frr

```

## Displaying RSVP session information for example network

The `show mpls rsvp session` command, provides information regarding the primary and detour routes in an MPLS RSVP Fast Reroute enabled network. Display examples are provided for the following routers in the configuration shown in [Figure 44](#):

- Transit Router 6
- Transit Router 2
- Ingress Router 4
- Transit Router 3
- Transit Router 1
- Egress Router 5

The following examples include displays for the `show mpls rsvp session` and `show mpls rsvp session detail` commands. For a general description of the command and its output refer to [“Displaying RSVP session information”](#).

# 1 Transit LSP statistics

## The Transit Router 6 display

The following display examples are from Transit Router 6. Displays are shown for the show mpls rsvp session and show mpls rsvp session detail commands.

Both displays show two paths from Ingress Router 4 at Loopback IP address 10.4.4.4. to Egress Router 5 at Loopback IP address 10.5.5.5. The (DI) path is an Ingress Detour path, and the path without a code is a protected path. The DI path is the detour path that is taken when Transit Router 6 is unable to use the primary path to Egress Router 5.

```
Router6# show mpls rsvp session
Codes: DI:Ingress Detour  DT:Transit Detour  DM:Merged Detour
       DE:Egress Detour  RP:Repaired Session
Ingress RSVP:    0 session(s)
Transit RSVP:    1 session(s)
To               From                St      Style Lbl_in  Lbl_out  LSPname
10.5.5.5         10.4.4.4(DI)          Up      SE    1024    1025    1
10.5.5.5         10.4.4.4              Up      SE    1024    3       1

Egress RSVP:    0 session(s)
```

The following example displays the output from Transit Router 6 using the show mpls rsvp session detail command. This command provides additional details about the paths described in the output from the show mpls rsvp session command.

For the DI path, one PLR and Avoid Node ID pair is shown labeled [1]. In [1], the Point of Local Repair (PLR) is at IP Address 10.19.19.2 which is an interface on Transit Router 6 and the Avoid Node is IP address 0.0.0.0. The “Explicit path hop count” field indicates that there are five hops on this path from this router to the egress to the path at routers with the following IP addresses 10.18.18.1 (Transit Router 2), 10.13.13.1 (Ingress Router 4), 10.10.10.1 (Transit Router 3), 10.11.11.2 (Transit Router 1) and 10.15.15.2 (Egress Router 5).

For the primary path, the “Explicit path hop count” field indicates that there is one hop on this path from this router to the egress to the path to the router at IP address 10.19.19.1 (Egress Router 5). The “Fast Reroute” field indicates that the primary path has been configured for one-to-one backup.

```
Router6# show mpls rsvp session detail
Codes: DI:Ingress Detour  DT:Transit Detour  DM:Merged Detour
       DE:Egress Detour  RP:Repaired Session
Ingress RSVP:    0 session(s)
Transit RSVP:    1 session(s)
To               From                St      Style Lbl_in  Lbl_out  LSPname
10.5.5.5         10.4.4.4(DI)          Up      SE    1024    1025    1
  Time left in seconds (PATH refresh: 6, ttd: 4293497
                        RESV refresh: 24, ttd: 131)
  Tspec: peak 0 kbps rate 0 kbps size 0 bytes m 20 M 1500
  Explicit path hop count: 5
    10.18.18.1 (S) -> 10.13.13.1 (S) -> 10.10.10.1 (S) -> 10.11.11.2 (S) ->
    10.15.15.2 (S)
  Received RRO count: 5
  Protection codes: P: Local  N: Node  B: Bandwidth  I: InUse
    10.18.18.1 -> 10.13.13.1 -> 10.10.10.1 ->
    10.11.11.2 -> 10.15.15.2
  Detour Sent: Number of PLR and Avoid Node ID pair(s): 1
    [1]: PLR: 10.19.19.2  Avoid Node: 0.0.0.0
  PATH sentto: 10.18.18.1      (e5/1      ) (MD5 OFF)
  RESV rcvfrom: 10.18.18.1    (e5/1      ) (MD5 OFF)
```

```

To                From                St    Style Lbl_in  Lbl_out  LSPname
10.5.5.5          10.4.4.4          Up    SE    1024    3        1
  Time left in seconds (PATH refresh: 28, ttd: 150
                        RESV refresh: 24, ttd: 128)
  Tspec: peak 0 kbps rate 0 kbps size 0 bytes m 20 M 1500
  Fast Reroute: one-to-one backup desired
  Setup priority: 7, hold priority: 0
  Bandwidth: 0 kbps, hop limit: 255
  Detour LSP: UP.  Nexthop (node) protection available.
  Up/Down times: 1, num retries: 0
  Explicit path hop count: 1
  10.19.19.1 (S)
  Received RRO count: 1
  Protection codes: P: Local  N: Node  B: Bandwidth  I: InUse
  10.19.19.1
  PATH rcvfrom: 10.18.18.1      (e5/1      ) (MD5 OFF)
  PATH sentto:  10.19.19.1      (e5/2      ) (MD5 OFF)
  RESV rcvfrom: 10.19.19.1      (e5/2      ) (MD5 OFF)
Egress RSVP:      0 session(s)

```

### The Transit Router 2 display

The following display examples are from Transit Router 2. Displays are shown for the show mpls rsvp session and show mpls rsvp session detail commands.

As for Transit Router 2, the displays show an Ingress Detour (DI) path, and a path without a code which identifies a protected path. In addition, a Merged Detour (DM) path is shown. The DM path is the detour path merged from Transit Router 6. All three paths are shown from Ingress Router 4 at Loopback IP address 10.4.4.4 to Egress Router 5 at Loopback IP address 10.5.5.5.

```

Router1# show mpls rsvp session
Codes: DI:Ingress Detour  DT:Transit Detour  DM:Merged Detour
       DE:Egress Detour  RP:Repaired Session
Ingress RSVP:      0 session(s)
Transit RSVP:      1 session(s)
To                From                St    Style Lbl_in  Lbl_out  LSPname
10.5.5.5          10.4.4.4(DI)        Up    SE    1024    1024    1
10.5.5.5          10.4.4.4            Up    SE    1024    1024    1
10.5.5.5          10.4.4.4(DM)        Up    SE    1025    1024    1

Egress RSVP:      0 session(s)

```

The following example displays the output from Transit Router 2 using the show mpls rsvp session detail command. This command provides additional details about the paths described in the output from the show mpls rsvp session command.

For the DI path, two PLR and Avoid Node ID pairs are shown labeled [1] and [2]. In [1] the Point of Local Repair (PLR) is at IP Address 10.18.18.1 which is the interface to the primary path on Transit Router 2 and the Avoid Node is IP address 10.18.18.2 on Transit Router 6. In [2] the Point of Local Repair (PLR) is at IP Address 10.19.19.2 on Transit Router 6 and the Avoid Node is IP address 0.0.0.0. The “Explicit path hop count” field indicates that there are four hops on this path from this router to the egress of the path at routers with the following IP addresses 10.13.13.1 (Ingress Router 4), 10.10.10.1 (Transit Router 3), 10.11.11.2 (Transit Router 1) and 10.15.15.2 (Egress Router 5).

# 1 Transit LSP statistics

For the DM path, one PLR and Avoid Node ID pair is shown labeled [1]. In [1] the Point of Local Repair (PLR) is at IP Address 10.19.19.2 which is an interface on Transit Router 6 and the Avoid Node is IP address 0.0.0.0.

For the primary path, the “Explicit path hop count” field indicates that the path has two hops from this router to the egress to the path at routers with the following IP addresses 10.18.18.2 (Transit Router 6) and 10.19.19.1 (Egress Router 5). The “Fast Reroute” field indicates that the primary path has been configured for one-to-one backup.

```
Router2# show mpls rsvp session detail
Codes: DI:Ingress Detour  DT:Transit Detour  DM:Merged Detour
       DE:Egress Detour  RP:Repaired Session
Ingress RSVP:    0 session(s)
Transit RSVP:    1 session(s)
To              From                St      Style Lbl_in  Lbl_out  LSPname
10.5.5.5        10.4.4.4(DI)                       Up      SE     1024    1024     1
  Time left in seconds (PATH refresh: 1, ttd: 4293570
                        RESV refresh: 13, ttd: 141)
  Tspec: peak 0 kbps rate 0 kbps size 0 bytes m 20 M 1500
  Explicit path hop count: 4
    10.13.13.1 (S) -> 10.10.10.1 (S) -> 10.11.11.2 (S) -> 10.15.15.2 (S)
  Received RRO count: 4
  Protection codes: P: Local  N: Node  B: Bandwidth  I: InUse
    10.13.13.1 -> 10.10.10.1 -> 10.11.11.2 ->
    10.15.15.2
  Detour Sent: Number of PLR and Avoid Node ID pair(s): 2
    [1]: PLR: 10.18.18.1  Avoid Node: 10.18.18.2
    [2]: PLR: 10.19.19.2  Avoid Node: 0.0.0.0
  PATH sentto: 10.13.13.1      (e5/10      ) (MD5 OFF)
  RESV rcvfrom: 10.13.13.1    (e5/10      ) (MD5 OFF)
To              From                St      Style Lbl_in  Lbl_out  LSPname
10.5.5.5        10.4.4.4                       Up      SE     1024    1024     1
  Time left in seconds (PATH refresh: 26, ttd: 151
                        RESV refresh: 13, ttd: 151)
  Tspec: peak 0 kbps rate 0 kbps size 0 bytes m 20 M 1500
Fast Reroute: one-to-one backup desired
  Setup priority: 7, hold priority: 0
  Bandwidth: 0 kbps, hop limit: 255
  Detour LSP: UP.  Nexthop (node) protection available.
  Up/Down times: 1, num retries: 0
Explicit path hop count: 2
10.18.18.2 (S) -> 10.19.19.1 (S)
  Received RRO count: 2
  Protection codes: P: Local  N: Node  B: Bandwidth  I: InUse
    10.18.18.2 (PN) -> 10.19.19.1
  PATH rcvfrom: 10.13.13.1    (e5/10      ) (MD5 OFF)
  PATH sentto: 10.18.18.2    (e2/1       ) (MD5 OFF)
  RESV rcvfrom: 10.18.18.2    (e2/1       ) (MD5 OFF)
To              From                St      Style Lbl_in  Lbl_out  LSPname
10.5.5.5        10.4.4.4(DM)                   Up      SE     1025    1024     1
  Time left in seconds (PATH refresh: 31, ttd: 133
                        RESV refresh: 13, ttd: 141)
  Tspec: peak 0 kbps rate 0 kbps size 0 bytes m 20 M 1500
  Received RRO count: 4
  Protection codes: P: Local  N: Node  B: Bandwidth  I: InUse
    10.13.13.1 -> 10.10.10.1 -> 10.11.11.2 ->
    10.15.15.2
```

```

Detour Rcvd: Number of PLR and Avoid Node ID pair(s): 1
  [1]: PLR: 10.19.19.2  Avoid Node: 0.0.0.0
    PATH rcvfrom: 10.18.18.2      (e2/1      ) (MD5 OFF)
    RESV rcvfrom: 10.13.13.1     (e5/10     ) (MD5 OFF)
Egress RSVP:      0 session(s)

```

#### The Ingress Router 4 display

The following display examples are from Ingress Router 4. Displays are shown for the show mpls rsvp session and show mpls rsvp session detail commands.

Like the display for Transit Router 2, the displays show an Ingress Detour (DI) path, a path without a code which identifies a protected path and Merged Detour (DM) path. The DM path is the detour path merged from Transit Routers 2 and 6. All three paths are shown from Ingress Router 4 at IP address Loopback 10.4.4.4 to Egress Router 5 at IP address Loopback 10.5.5.5. In the case of the DM path, a reroute at either Transit Router 2 or 6 sends traffic that had begun at Ingress Router 4 back through it, and forward through Transit Routers 3 and 1 to the ultimate destination at Egress Router 5.

```

Router4# show mpls rsvp session
Codes: DI:Ingress Detour  DT:Transit Detour  DM:Merged Detour
       DE:Egress Detour   RP:Repaired Session
Ingress RSVP:      1 session(s)
To                From                St      Style Lbl_in  Lbl_out  LSPname
10.5.5.5          10.4.4.4(DI)      Up      SE    -       1028     1
10.5.5.5          10.4.4.4(DM)      Up      SE    1024    1028     1
10.5.5.5          10.4.4.4          Up      SE    -       1024     1

Transit RSVP:      0 session(s)
Egress RSVP:      0 session(s)

```

The following example displays the show mpls rsvp session detail output for Ingress Router 4. This command provides additional details about the paths described in the output from the show mpls rsvp session command.

For the DI path, three PLR and Avoid Node ID pairs are shown labeled [1], [2] and [3]. In [1] and [2] the Point of Local Repair (PLR) is at IP Address 10.13.13.1 which is the interface to the primary path on Ingress Router 4. The Avoid Node for pair [1] is IP address 10.13.13.2 on Transit Router 2 and the Avoid Node for pair [2] is IP address 10.18.18.2 on Transit Router 6. In [3] the Point of Local Repair (PLR) is at IP Address 10.18.18.1 which is the interface to the primary path on Ingress Router 2 and the Avoid Node for pair [3] is IP address 10.18.18.2 on Transit Router 6. The “Explicit path hop count” field indicates that there are three hops on the path from this router to the egress of the path at routers with the following IP addresses 10.10.10.1 (Transit Router 3), 10.11.11.2 (Transit Router 1) and 10.15.15.2 (Egress Router 5).

For the DM path, one PLR and Avoid Node ID pair is shown labeled [1]. In [1] the Point of Local Repair (PLR) is at IP Address 10.18.18.1 which is the interface to the primary path on Ingress Router 2 and the Avoid Node is IP address 10.18.18.2 on Transit Router 6.

For the primary path, the “Explicit path hop count” field indicates that there are three hops on this path from Ingress Router 4 to the egress to the path at routers with the following IP addresses 10.13.13.2 (Transit Router 2), 10.18.18.2 (Transit Router 6) and 10.19.19.1 (Egress Router 5). The “Fast Reroute” field indicates that the primary path has been configured for one-to-one backup.

```

Router4# show mpls rsvp session detail
Codes: DI:Ingress Detour  DT:Transit Detour  DM:Merged Detour
       DE:Egress Detour   RP:Repaired Session

```

# 1 Transit LSP statistics

```
Ingress RSVP:      1 session(s)
To                From                St      Style Lbl_in  Lbl_out  LSPname
10.5.5.5          10.4.4.4(DI)          Up      SE    -       1028     1
  Time left in seconds (PATH refresh: 16, ttd: 4293608
                        RESV refresh: 27, ttd: 133)
  Tspec: peak 0 kbps rate 0 kbps size 0 bytes m 20 M 65535
  Explicit path hop count: 3
  10.10.10.1 (S) -> 10.11.11.2 (S) -> 10.15.15.2 (S)
  Received RRO count: 3
  Protection codes: P: Local  N: Node  B: Bandwidth  I: InUse
  10.10.10.1 -> 10.11.11.2 -> 10.15.15.2
Detour Sent: Number of PLR and Avoid Node ID pair(s): 3
  [1]: PLR: 10.13.13.1  Avoid Node: 10.13.13.2
  [2]: PLR: 10.13.13.1  Avoid Node: 10.18.18.2
  [3]: PLR: 10.18.18.1  Avoid Node: 10.18.18.2
  PATH sentto: 10.10.10.1      (e2/1      ) (MD5 OFF)
  RESV rcvfrom: 10.10.10.1    (e2/1      ) (MD5 OFF)
To                From                St      Style Lbl_in  Lbl_out  LSPname
10.5.5.5          10.4.4.4(DM)          Up      SE    1024    1028     1
  Time left in seconds (PATH refresh: 6, ttd: 134
                        RESV refresh: 27, ttd: 133)
  Tspec: peak 0 kbps rate 0 kbps size 0 bytes m 20 M 1500
  Received RRO count: 3
  Protection codes: P: Local  N: Node  B: Bandwidth  I: InUse
  10.10.10.1 -> 10.11.11.2 -> 10.15.15.2
Detour Rcvd: Number of PLR and Avoid Node ID pair(s): 1
  [1]: PLR: 10.18.18.1  Avoid Node: 10.18.18.2
  PATH rcvfrom: 10.13.13.2    (e2/20    ) (MD5 OFF)
  RESV rcvfrom: 10.10.10.1    (e2/1      ) (MD5 OFF)
To                From                St      Style Lbl_in  Lbl_out  LSPname
10.5.5.5          10.4.4.4              Up      SE    -       1024     1
  Time left in seconds (PATH refresh: 37, ttd: 148
                        RESV refresh: 27, ttd: 152)
  Tspec: peak 0 kbps rate 0 kbps size 0 bytes m 20 M 65535
Fast Reroute: one-to-one backup desired
  Setup priority: 7, hold priority: 0
  Bandwidth: 0 kbps, hop limit: 255
  Detour LSP: UP.  Nexthop (node) protection available.
  Up/Down times: 1, num retries: 0
Explicit path hop count: 3
  10.13.13.2 (S) -> 10.18.18.2 (S) -> 10.19.19.1 (S)
  Received RRO count: 3
  Protection codes: P: Local  N: Node  B: Bandwidth  I: InUse
  10.13.13.2 (PN) -> 10.18.18.2 (PN) -> 10.19.19.1
  PATH sentto: 10.13.13.2    (e2/20    ) (MD5 OFF)
  RESV rcvfrom: 10.13.13.2    (e2/20    ) (MD5 OFF)
Transit RSVP:      0 session(s)
Egress RSVP:       0 session(s)
```

## The Transit Router 3 display

The following display examples come from Transit Router 3. Displays are shown for the show mpls rsvp session and show mpls rsvp session detail commands.

The display for Transit Router 3 shows a Transit Detour (DT) path. The DT path is the detour path that is an alternative to the primary path configured on Ingress Router 4 from itself to Egress Router 5. This detour path, shown from Ingress Router 4 at Loopback IP address 10.4.4.4 to Egress Router 5 at Loopback IP address 10.5.5.5, is only used when a link or router fails between the source and destination of the primary path.



```

Router3# show mpls rsvp session
Codes: DI:Ingress Detour  DT:Transit Detour  DM:Merged Detour
      DE:Egress Detour  RP:Repaired Session
Ingress RSVP:      0 session(s)
Transit RSVP:      1 session(s)
To                From                St      Style Lbl_in  Lbl_out LSPname
10.5.5.5          10.4.4.4(DT)          Up      SE    1028   1028   1
Egress RSVP:      0 session(s)

```

The following example displays the output from Transit Router 3 using the show mpls rsvp session detail command. This command provides additional details about the paths described in the output from the show mpls rsvp session command.

For the DT path, the “Explicit path hop count:” field shows that two hops exist from this router to the egress of the path at routers with the following at IP addresses: 10.11.11.2 (Transit Router 1) and 10.15.15.2 (Egress Router 5).

```

Router3# show mpls rsvp session detail
Codes: DI:Ingress Detour  DT:Transit Detour  DM:Merged Detour
      DE:Egress Detour  RP:Repaired Session
Ingress RSVP:      0 session(s)
Transit RSVP:      1 session(s)
To                From                St      Style Lbl_in  Lbl_out LSPname
10.5.5.5          10.4.4.4(DT)          Up      SE    1028   1028   1
  Time left in seconds (PATH refresh: 2, ttd: 141
                        RESV refresh: 25, ttd: 154)
  Tspec: peak 0 kbps rate 0 kbps size 0 bytes m 20 M 1500
  Explicit path hop count: 2
    10.11.11.2 (S) -> 10.15.15.2 (S)
  Received RRO count: 2
  Protection codes: P: Local  N: Node  B: Bandwidth  I: InUse
    10.11.11.2 -> 10.15.15.2
  PATH rcvfrom: 10.10.10.2      (e12/1      ) (MD5 OFF)
  PATH sentto:  10.11.11.2      (e11/18     ) (MD5 OFF)
  RESV rcvfrom: 10.11.11.2      (e11/18     ) (MD5 OFF)
Egress RSVP:      0 session(s)

```

### The Transit Router 1 display

The following display examples are from Transit Router 1. Displays are shown for the show mpls rsvp session and show mpls rsvp session detail commands.

The display for Transit Router 1 shows a Transit Detour (DT) path. The DT path is the detour path that is an alternative to the primary path configured on Ingress Router 4 from Ingress Router 4 to Egress Router 5. This detour path shown from Ingress Router 4 at Loopback IP address 10.4.4.4 to Egress Router 5 at Loopback IP address 10.5.5.5 is only used when there is a failed link or router between the source and destination of the primary path.

```

Router1# show mpls rsvp session
Codes: DI:Ingress Detour  DT:Transit Detour  DM:Merged Detour
      DE:Egress Detour  RP:Repaired Session
Ingress RSVP:      0 session(s)
Transit RSVP:      1 session(s)
To                From                St      Style Lbl_in  Lbl_out LSPname
10.5.5.5          10.4.4.4(DT)          Up      SE    1028   3      1
Egress RSVP:      0 session(s)

```

# 1 Transit LSP statistics

The following example displays the output from Transit Router 1 using the show mpls rsvp session detail command. This option provides additional details about the paths described in the output from the show mpls rsvp session command

For the DT path, the “Explicit path hop count” field indicates that there is one hop from this router to the egress of the path at the router at IP address 10.15.15.2 (Egress Router 5).

```
Router3# show mpls rsvp session detail
Ingress RSVP:    0 session(s)
Transit RSVP:    1 session(s)
To               From                St      Style Lbl_in Lbl_out LSPname
10.5.5.5         10.4.4.4(DT)           Up      SE    1028   3       1
  Time left in seconds (PATH refresh: 18, ttd: 146
                        RESV refresh: 15, ttd: 154)
  Tspec: peak 0 kbps rate 0 kbps size 0 bytes m 20 M 1500
  Explicit path hop count: 1
    10.15.15.2 (S)
  Received RRO count: 1
  Protection codes: P: Local  N: Node  B: Bandwidth  I: InUse
    10.15.15.2
  PATH rcvfrom: 10.11.11.1      (e7/16      ) (MD5 OFF)
  PATH sentto:  10.15.15.2     (e6/2      ) (MD5 OFF)
  RESV rcvfrom: 10.15.15.2     (e6/2      ) (MD5 OFF)
Egress RSVP:    0 session(s)
```

## The Egress Router 5 display

The following display examples are from Egress Router 5. Displays are shown for the show mpls rsvp session and show mpls rsvp session detail commands.

The display for Egress Router 5, shows an Egress Detour (DE) path and a path without a code that identifies a protected path. Both paths are shown from Ingress Router 4 at Loopback IP address 10.4.4.4 to Egress Router 5 at Loopback IP address 10.5.5.5. The primary path traverses Transit Routers 2 and 6. In the case of the DE path, a reroute sends traffic through Transit Routers 3 and 1.

```
Router5# show mpls rsvp session
Codes: DI:Ingress Detour  DT:Transit Detour  DM:Merged Detour
       DE:Egress Detour   RP:Repaired Session
Ingress RSVP:    0 session(s)
Transit RSVP:    0 session(s)
Egress RSVP:    1 session(s)
To               From                St      Style Lbl_in Lbl_out LSPname
10.5.5.5         10.4.4.4(DE)         Up      SE    3       0       1
10.5.5.5         10.4.4.4             Up      SE    3       0       1
```

The following example displays the output from Egress Router 5 using the show mpls rsvp session detail command. This command provides additional details about the paths described in the output from the show mpls rsvp session command.

For the DE path, two PLR and Avoid Node ID pairs are shown labeled [1] and [2]. In both the Point of Local Repair (PLR) is at IP Address 10.13.13.1 which is the interface to the primary path on Ingress Router 4. The Avoid Node for pair [1] is IP address 10.13.13.2 on Transit Router 2 and the Avoid Node for pair [2] is IP address 10.18.18.2 on Transit Router 6.

The “Fast Reroute” field indicates that the primary path has been configured for one-to-one backup.

There is no “Explicit path hop count” field for either route because Egress Router 5 is the destination of the path.

```
Router5# show mpls rsvp session detail
Codes: DI:Ingress Detour  DT:Transit Detour  DM:Merged Detour
      DE:Egress Detour  RP:Repaired Session
Ingress RSVP:    0 session(s)
Transit RSVP:    0 session(s)
Egress RSVP:    1 session(s)
To               From                St   Style Lbl_in Lbl_out LSPname
10.5.5.5         10.4.4.4(DE)          Up   SE    3      0      1
  Time left in seconds (PATH refresh: 18, ttd: 149
                        RESV refresh: 7, ttd: 152)
  Tspec: peak 0 kbps rate 0 kbps size 0 bytes m 20 M 1500
Detour Rcvd: Number of PLR and Avoid Node ID pair(s): 2
  [1]: PLR: 10.13.13.1  Avoid Node: 10.13.13.2
  [2]: PLR: 10.13.13.1  Avoid Node: 10.18.18.2
  PATH rcvfrom: 10.15.15.1      (e8/2      ) (MD5 OFF)
To               From                St   Style Lbl_in Lbl_out LSPname
10.5.5.5         10.4.4.4              Up   SE    3      0      1
  Time left in seconds (PATH refresh: 30, ttd: 152
                        RESV refresh: 7, ttd: 152)
  Tspec: peak 0 kbps rate 0 kbps size 0 bytes m 20 M 1500
Fast Reroute: one-to-one backup desired
  Setup priority: 7, hold priority: 0
  Bandwidth: 0 kbps, hop limit: 255
  PATH rcvfrom: 10.19.19.2      (e8/1) (MD5 OFF)
```

## Examples of MPLS bypass LSP

This section contains show command output for protected LSPs and bypass LSPs. The section for bypass LSP shows information for a bypass configured on an Ethernet interface and a bypass configured on a LAG.

A show mpls lsp or show mpls bypass-lsp type of command must be entered at the ingress node of the LSP or bypass LSP, and the show mpls rsvp session name type of command must be used at transit nodes.

The subsections are separated into the following components:

- An interface with a bypass LSP protecting the interface, “[Displaying an interface with bypass protection](#)”
- Protected LSP configuration in an RSVP session, “[Protected LSP shown in RSVP session](#)”
- Bypass LSP shown in an RSVP session, “[Bypass LSP in an RSVP session](#)”
- An LSP that is requesting facility backup, “[Displaying an LSP configured for bypass protection](#)”
- Information when the bypass LSP is active, “[A protected LSP while the bypass LSP is active](#)”

### Displaying an interface with bypass protection

This example shows that Ethernet interface 4/15 has one bypass LSP xmr4-by. Bypass LSP xmr4-by has, therefore, recorded at least this interface (and likely others) in its list of exclude interfaces. (Similarly, an interface can have multiple bypass LSPs protecting it. For example, the LSPs that traverse an interface might have destinations that make a single merge point impossible, so multiple bypass LSPs would be needed in this case to support different LSPs.).

# 1 Transit LSP statistics

```
Brocade# show mpls interface ethernet 4/15
e4/15
Admin: Up Oper: Up
Maximum BW: 1000000 kbps, maximum reservable BW: 1000000 kbps
Admin group: 0x00000000
Reservable BW [priority] kbps:
  [0] 780000 [1] 780000 [2] 780000 [3] 760000
  [4] 760000 [5] 760000 [6] 760000 [7] 760000
Last sent reservable BW [priority] kbps:
  [0] 780000 [1] 780000 [2] 780000 [3] 760000
  [4] 760000 [5] 760000 [6] 760000 [7] 760000
Configured Protecting bypass lsps:
  xmr4-by(UP)
```

Syntax: show mpls interface ethernet *name*

In the example that follows, interface e1/11 is on a LAG named Trunk3. One bypass LSP (xmr2) is protecting the interface.

```
Brocade# show mpls interface
e1/11(Trunk3)
Admin: Up Oper: Up
Maximum BW: 13000000 kbps, maximum reservable BW: 13000000 kbps
Admin group: 0x00000000
Reservable BW [priority] kbps:
  [0] 12981000 [1] 12981000 [2] 12981000 [3] 12981000
  [4] 12981000 [5] 12981000 [6] 12981000 [7] 12981000
Last sent reservable BW [priority] kbps:
  [0] 12981000 [1] 12981000 [2] 12981000 [3] 12981000
  [4] 12981000 [5] 12981000 [6] 12981000 [7] 12981000
Configured Protecting bypass lsps:
  xmr2(UP)
```

Syntax: show mpls interface *name*

## Displaying bypass LSPs

This section has a variety of bypass LSP displays. The first example shows the running configuration. This output shows the name of the bypass LSP, its destination interface, the exclude interface e1/1 (of the protected LSP), and that the bypass LSP is enabled.

Syntax: show mpls bypass-lsp

To display any bypass LSPs that exist on the router, use the following command.

```

Brocade(config-if-e1000-2/15)# show mpls bypass-lsp
Note: LSPs marked with * are taking a Secondary Path

```

Name	To	Admin State	Oper State	Tunnel Intf	Up/Dn Times	Retry No.	Active Path
xmr1-2	10.11.11.11	UP	UP	tn14	2	0	--
xmr1-1	10.11.11.11	UP	UP	tn13	2	0	--
xmr4	10.44.44.44	UP	UP	tn17	2	0	xmr4-1
xmr1	10.11.11.11	UP	UP	tn12	2	0	--
xmr1-5	10.11.11.11	UP	UP	tn15	2	0	--
xmr3	10.33.33.33	UP	UP	tn16	2	0	--

Syntax: show mpls bypass-lsp

The following example displays details for the bypass LSP named xmr1-2.

```

Brocade(config-if-e1000-2/15)# show mpls bypass-lsp xmr1-2
LSP xmr1-2, to 10.11.11.11
  From: 10.22.22.22, admin: UP, status: UP, tunnel interface (primary path): tn14
  Times primary LSP goes up since enabled: 2
  Metric: 0, number of installed aliases: 0
  Maximum retries: 0, no. of retries: 0
  Pri. path: NONE, up: yes, active: yes
  Setup priority: 7, hold priority: 0
  Max rate: 0 kbps, mean rate: 22000 kbps, max burst: 0 bytes
  Constraint-based routing enabled: yes
  Tie breaking: random, hop limit: 0
  Active Path attributes:
    Tunnel interface: tn14, outbound interface: e2/15
    Tunnel index: 5, Tunnel instance: 1 outbound label: 3
    Path calculated using constraint-based routing: yes
    Path calculated using interface constraint: yes
    Explicit path hop count: 1
    10.0.0.37 (S)
  Recorded routes:
    Protection codes: P: Local  N: Node  B: Bandwidth  I: InUse
    10.0.0.37
exclude interface(s): e1/1
  Tunnel bandwidth
  Maximum BW: 22000 kbps
Reservable BW [priority] kbps:
    [0] 22000  [1] 22000  [2] 22000  [3] 2000
    [4] 2000   [5] 2000   [6] 2000   [7] 2000

```

Syntax: show mpls bypass-lsp *lsp\_name*

The *lsp\_name* variable specifies the name of the LSP the user wants to display.

To display the detailed bypass LSP configuration under the router MPLS mode, enter the show mpls bypass-lsp detail command. The following example shows the command output for an adaptive bypass LSP. In addition to the active path information, it shows instance-specific data for each bypass instance. Beginning with the Release 05.3.00, the exclude interface list is included as part of the instance-specific data, and not as part of the active path data.

# 1 Transit LSP statistics

```
Brocade (config-mpls-bypasslsp-bl)# show mpls bypass-lsp detail
LSP bl, to 10.6.6.6
  From: 10.7.7.7, admin: UP, status: UP, tunnel interface(primary path): tn10
  Times primary LSP goes up since enabled: 1
  Metric: 0, number of installed aliases: 0 Adaptive
  Maximum retries: NONE, no. of retries: 0
  Pri. path: NONE, up: yes, active: yes
  Setup priority: 7, hold priority: 0
  Max rate: 0 kbps, mean rate: 0 kbps, max burst: 0 bytes
  Constraint-based routing enabled: yes
    Path calculated using constraint-based routing: yes
    Path calculated using interface constraint: no
    Path cspf-group computation-mode: disabled, cost: 1
  Tie breaking: random, hop limit: 0
  exclude interface(s): e3/1
  OTHER INSTANCE PRIMARY: NEW_INSTANCE admin: DOWN, status: DOWN
  Maximum retries: NONE, no. of retries: 0
  Pri. path: NONE, up: no, active: no
  Setup priority: 7, hold priority: 0
  Max rate: 0 kbps, mean rate: 0 kbps, max burst: 0 bytes
  Constraint-based routing enabled: yes
    Path calculated using constraint-based routing: no
    Path calculated using interface constraint: no
  Path cspf-group computation-mode: disabled, cost: 0
  Tie breaking: random, hop limit: 0
  exclude interface(s): e3/2
  Active Path attributes:
    Tunnel interface: tn10, outbound interface: e3/2
    Tunnel index: 3, Tunnel instance: 1 outbound label: 3
  Recorded routes:
    Protection codes: P: Local N: Node B: Bandwidth I: InUse
    10.2.2.1
  Tunnel bandwidth
  Maximum BW: 0 kbps
  Reservable BW [priority] kbps:
    [0] 0 [1] 0 [2] 0 [3] 0
    [4] 0 [5] 0 [6] 0 [7] 0
```

Syntax: show mpls bypass-lsp detail

The show mpls bypass-lsp wide command allows the user to display the full bypass LSP name in a single line. Previously, a long LSP name (greater than 12 characters) was text-wrapped in multiple lines. Now, the full LSP name can be displayed in a single line as shown in the following example.

```
Brocade(config)# show mpls bypass-lsp wide
Note: LSPs marked with * are taking a Secondary Path
```

Name	Admin	Oper	Tunnel	Up/Dn	Retry	Active	
	To	State	State	Intf	Times	No.	Path
by1	10.3.3.3	UP	UP	tn11	1	0	--
by2	10.3.3.3	UP	UP	tn12	1	0	--
<b>bypassstunnelfromsanfranciscotonewyork</b>	10.3.3.3	UP	UP	tn15	1	0	

Syntax: show mpls bypass-lsp wide

The include option can be used with the show mpls bypass-lsp wide command to filter and display specific bypass LSP name.

```
Brocade# show mpls bypass-lsp wide | include bypasstunnelfromsanfranciscotonewyork
Name                               Admin   Oper   Tunnel   Up/Dn   Retry   Active
To                               State  State  State    Intf    Times  No.    Path
bypasstunnelfromsanfranciscotonewyork  10.3.3.3  UP    UP       tn15    1      0
pathfromsanfranciscotonewyork
```

Syntax: show mpls bypass-lsp [wide [| include *lsp\_name*]]

The *lsp\_name* variable specifies the name of the LSP the user wants to display.

The following example shows details of an adaptive bypass LSP named t100:

```
Brocade# show mpls bypass-lsp name t100
LSP t100, to 10.1.1.1
  From: 10.2.2.2, admin: UP, status: UP
  Times primary LSP goes up since enabled: 1
  Metric: 0, number of installed aliases: 0   Adaptive
  Maximum retries: NONE, no. of retries: 0
  Pri. path: NONE, up: no, active: no
  Setup priority: 7, hold priority: 0, ReoptimizeTimer 300
  Max rate: 0 kbps, mean rate: 0 kbps, max burst: 0 bytes
  Constraint-based routing enabled: yes
  Path calculated using constraint-based routing: no
  Path calculated using interface constraint: no
  Tie breaking: random, hop limit: 0
  Active Path attributes:
```

### Bypass LSP in an RSVP session

Use the show mpls rsvp session command to display bypass LSP xmr1-by. This example shows bypass LSP traversing a LAG, and the BYI field shows this is the bypass ingress.

```
Brocade# show mpls rsvp sess name xmr1-by
Codes: DI:Ingress Detour DT:Transit Detour DM:Merged Detour
       DE:Egress Detour BI:Ingress Backup BM: Merged Backup BE:Egress Backup
       RP:Repaired Session BYI: Bypass Ingress
To      From      State Style Lbl_in Lbl_out LSPname
10.11.11.11  10.55.55.55(BYI)  Up    SE    -      1267    xmr1-by
Tunnel ID: 512, LSP ID: 1
Time left in seconds (PATH refresh: 8, ttd: 148
                    RESV refresh: 10, ttd: 140)
Tspec: peak 0 kbps rate 0 kbps size 0 bytes m 20 M 65535
Explicit path hop count: 2
  10.0.0.13 (S) -> 10.0.0.9 (S)
Received RRO count: 2
Protection codes: P: Local N: Node B: Bandwidth I: InUse
  10.0.0.13 -> 10.0.0.9
PATH sentto: 10.0.0.13 (p4/3(Trunk1) ) (MD5 OFF)
RESV rcvfrom: 10.0.0.13 (p4/3(Trunk1) ) (MD5 OFF)
```

Syntax: show mpls rsvp sess name *name*

# 1 Transit LSP statistics

## Bypass LSP in an RSVP session

Use the show RSVP session command to display bypass LSP xmr1-by. This example shows bypass LSP traversing a LAG, and the BYI field shows this is the bypass ingress.

```
Brocade# show mpls rsvp sess name xmr1-by
Codes: DI:Ingress Detour DT:Transit Detour DM:Merged Detour
       DE:Egress Detour BI:Ingress Backup BM: Merged Backup BE:Egress Backup
       RP:Repaired Session BYI: Bypass Ingress
To      From      St   Style Lbl_in Lbl_out LSPname
10.11.11.11 10.55.55.55(BYI) Up   SE    -      1267    xmr1-by
Tunnel ID: 512, LSP ID: 1
Time left in seconds (PATH refresh: 8, ttd: 148
                    RESV refresh: 10, ttd: 140)
Tspec: peak 0 kbps rate 0 kbps size 0 bytes m 20 M 65535
Explicit path hop count: 2
  10.0.0.13 (S) -> 10.0.0.9 (S)
Received RRO count: 2
Protection codes: P: Local N: Node B: Bandwidth I: InUse
  10.0.0.13 -> 10.0.0.9
PATH sentto: 10.0.0.13 (p4/3(Trunk1) ) (MD5 OFF)
RESV rcvfrom: 10.0.0.13 (p4/3(Trunk1) ) (MD5 OFF)
```

Syntax: show mpls rsvp session name *name*

## Displaying an LSP configured for bypass protection

This example shows that:

- LSP xmr3-120 is a candidate a bypass LSP. (The line “Fast Reroute facility backup desired” shows that LSP xmr3-120 has requested facility backup.)
- The subsequent line shows that xmr3-120 has selected bypass LSP xmr1-by for protection.
- Bypass LSP xmr1-by is up.
- The interface is on LAG p4/3.



```
Brocade# show mpls lsp xmr3-120
LSP xmr3-120, to 10.33.33.33
  From: 10.55.55.55, admin: UP, status: UP, tunnel interface(primary path): tnl35
  revert timer: 10 seconds
  Times primary LSP goes up since enabled: 1
  Metric: 0, number of installed aliases: 0
  Maximum retries: 0, no. of retries: 0
  Pri. path: xmr3-100, up: yes, active: yes
    Setup priority: 4, hold priority: 3
    Max rate: 0 kbps, mean rate: 0 kbps, max burst: 0 bytes
    Constraint-based routing enabled: yes
    Tie breaking: random, hop limit: 0
  Sec. path: xmr3-101, active: no
    Hot-standby: yes, status: up
    Setup priority: 7, hold priority: 0
    Max rate: 0 kbps, mean rate: 0 kbps, max burst: 0 bytes
    Constraint-based routing enabled: yes
    hop limit: 0
  Active Path attributes:
    Tunnel interface: tnl35, outbound interface: e3/1
    Tunnel index: 36, Tunnel instance: 1 outbound label: 1032
    Path calculated using constraint-based routing: yes
    Path calculated using interface constraint: no
    Explicit path hop count: 4
      10.0.0.1 (S) -> 10.0.0.38 (S) -> 10.0.0.2 (S) -> 10.0.0.5 (S)
  Recorded routes:
    Protection codes: P: Local N: Node B: Bandwidth I: InUse
      10.0.0.1 (PN) -> 10.0.0.38 (P) -> 10.0.0.2 ->
      10.0.0.5
Fast Reroute: facility backup desired
Backup LSP: UP, out-label: 1032, outbound interface: p4/3(Trunk1) bypass_lsp:
FRR Forwarding State: Pri(active), Sec(up), Backup(up)
```

Syntax: show mpls lsp *name*

# 1 Transit LSP statistics

Protected LSP shown in RSVP session

Show the MPLS RSVP session for protected LSP xmr3-199. The line “Backup LSP UP. Nexthop (node) protection available” shows that protection is available for xmr-199. If this LSP were actually riding the bypass LSP, this status would change from “protection available” to “in use.”.

```
Brocade-XMR5(config-mpls-bypasslsp-123)# show mpls rsvp sess name xmr3-199
Codes: DI:Ingress Detour DT:Transit Detour DM:Merged Detour
      DE:Egress Detour BI:Ingress Backup BM: Merged Backup BE:Egress Backup
      RP:Repaired Session BYI: Bypass Ingress
To          From          State Style Lbl_in Lbl_out LSP name
10.33.33.33 10.55.55.55 Up SE - 2399 xmr3-199
Tunnel ID: 121, LSP ID: 1
Time left in seconds (PATH refresh: 11, ttd: 137
                    RESV refresh: 8, ttd: 138)
Tspec: peak 0 kbps rate 0 kbps size 0 bytes m 20 M 65535
Fast Reroute: Facility backup desired
Setup priority: 4, hold priority: 3
Bandwidth: 0 kbps, hop limit: 255
Backup LSP: UP. Nexthop (node) protection available.
Up/Down times: 1, num retries: 0
Explicit path hop count: 4
10.0.0.1 (S) -> 10.0.0.38 (S) -> 10.0.0.2 (S) -> 10.0.0.9 (S)
Received RRO count: 4
Protection codes: P: Local N: Node B: Bandwidth I: InUse
10.0.0.1 -> 10.0.0.38 -> 10.0.0.2 ->
10.0.0.9
PATH sentto: 10.0.0.1 (e3/1 ) (MD5 OFF)
RESV rcvfrom: 10.0.0.1 (e3/1 ) (MD5 OFF)
To          From          State Style Lbl_in Lbl_out LSPname
10.33.33.33 10.0.0.2(BI) Up SE - 3 xmr3-199
Tunnel ID: 121, LSP ID: 1
Time left in seconds (PATH refresh: 0, ttd: 4196607
                    RESV refresh: 8, ttd: 4196765)
Tspec: peak 0 kbps rate 0 kbps size 0 bytes m 20 M 65535
Explicit path hop count: 1
10.0.0.21 (S)
Backup Sent
PATH sentto: 10.0.0.21 (e2/13 ) (MD5 OFF)
RESV rcvfrom: 10.0.0.21 (e2/13 ) (MD5 OFF)
Riding bypass lsp: xmr3-1
```

Syntax: show mpls rsvp session name *name*

A protected LSP while the bypass LSP is active

This section shows two views of a protected LSP while the bypass LSP is active.

To show a protected LSP while its bypass LSP is active, display the RSVP session for the LSP named xmr3-120. This bypass LSP is on LAG p4/3, and two lines in the output show that xmr3-120 is riding xmr1-by.

```

Brocade@XMR5# show mpls rsvp sess name xmr3-120
Codes: DI:Ingress Detour DT:Transit Detour DM:Merged Detour
       DE:Egress Detour BI:Ingress Backup BM: Merged Backup BE:Egress Backup
       RP:Repaired Session BYI: Bypass Ingress
To          From          St   Style Lbl_in Lbl_out LSPname
10.33.33.33 10.55.55.55(RP)      Up   SE   -       1032   xmr3-120
Tunnel ID: 36, LSP ID: 1
Time left in seconds (PATH refresh: 14, ttd: 141
                    RESV refresh: 36, ttd: 155)
Tspec: peak 0 kbps rate 0 kbps size 0 bytes m 20 M 65535
Fast Reroute: Facility backup desired
Setup priority: 4, hold priority: 3
Bandwidth: 0 kbps, hop limit: 255
Detour LSP: UP.  Nexthop (link) protection available and is in use.
Up/Down times: 1, num retries: 0
Explicit path hop count: 4
 10.0.0.1 (S) -> 10.0.0.38 (S) -> 10.0.0.2 (S) -> 10.0.0.5 (S)
Received RRO count: 4
Protection codes: P: Local N: Node B: Bandwidth I: InUse
10.0.0.9 -> 10.0.0.38 (P) -> 10.0.0.2 ->
10.0.0.5
RESV rcvfrom: 10.0.0.9      (p4/3(Trunk1) ) (MD5 OFF)
Riding bypass lsp: xmr1-by

To          From          St   Style Lbl_in Lbl_out LSP name
10.33.33.33 10.0.0.2(BI)      Up   SE   -       1032   xmr3-120
Tunnel ID: 36, LSP ID: 1
Time left in seconds (PATH refresh: 37, ttd: 155
                    RESV refresh: 36, ttd: 155)
Tspec: peak 0 kbps rate 0 kbps size 0 bytes m 20 M 65535
Explicit path hop count: 4
 10.0.0.9 (S) -> 10.0.0.38 (S) -> 10.0.0.2 (S) -> 10.0.0.5 (S)
Received RRO count: 4
Protection codes: P: Local N: Node B: Bandwidth I: InUse
10.0.0.9 -> 10.0.0.38 (P) -> 10.0.0.2 ->
10.0.0.5
Backup Sent
PATH sentto: 10.0.0.9      (p4/3(Trunk1) ) (MD5 OFF)
RESV rcvfrom: 10.0.0.9      (p4/3(Trunk1) ) (MD5 OFF)
Riding bypass lsp: xmr1-by

```

Syntax: show mpls rsvp session name *name*

# 1 Commands

The following command shows an LSP that is using its bypass. Note the last lines of output.

```
Brocade# show mpls lsp xmr3-120
LSP xmr3-120, to 10.33.33.33
  From: 10.55.55.55, admin: UP, status: UP, tunnel interface(primary path): tnl35
  revert timer: 10 seconds
  Times primary LSP goes up since enabled: 1
  Metric: 0, number of installed aliases: 0
  Maximum retries: 0, no. of retries: 0
  Pri. path: xmr3-100, up: yes (backup), active: yes
    Setup priority: 4, hold priority: 3
    Max rate: 0 kbps, mean rate: 0 kbps, max burst: 0 bytes
    Constraint-based routing enabled: yes
    Tie breaking: random, hop limit: 0
  Sec. path: xmr3-101, active: no
    Hot-standby: yes, status: up
    Setup priority: 7, hold priority: 0
    Max rate: 0 kbps, mean rate: 0 kbps, max burst: 0 bytes
    Constraint-based routing enabled: yes
    hop limit: 0
  Active Path attributes:
    Tunnel interface: tnl35, outbound interface: p4/3(Trunk1)
    Tunnel index: 36, Tunnel instance: 1 outbound label: 1032
    Path calculated using constraint-based routing: yes
    Path calculated using interface constraint: no
    Explicit path hop count: 4
      10.0.0.9 (S) -> 10.0.0.38 (S) -> 10.0.0.2 (S) -> 10.0.0.5 (S)
  Recorded routes:
    Protection codes: P: Local N: Node B: Bandwidth I: InUse
      10.0.0.9 -> 10.0.0.38 (P) -> 10.0.0.2 ->
      10.0.0.5
  Fast Reroute: facility backup desired
Backup LSP: UP, out-label: 1032, outbound interface: p4/3(Trunk1) bypass_lsp:
FRR Forwarding State: Pri(down), Sec(up), Backup(active)
```

Syntax: show mpls lsp *name*

## Commands

The following commands support the features described in this chapter:

- [show mpls lsp\\_p2mp\\_xc](#)

## show mpls lsp\_p2mp\_xc

Displays hardware forwarding information

Syntax `show mpls lsp_p2mp_xc in_label`

Parameters `in_label` Specifies the MPLS input label value.

Command Modes Privileged EXEC mode

Usage Guidelines The `show mpls lsp_p2mp_xc` command displays information about the forwarding information of hardware that is allocated for the point-to-multipoint (P2MP) cross-connect.

Command Output The `show mpls lsp_p2mp_xc` command displays the following information:

Output field	Description
IN-LABEL	The incoming MPLS label value.
XC#	The XC index allocated for this instance.
FID	The FID resource allocated for a particular entry.
MVID	The MVID resource allocated for a particular entry.
IN-PORT	The port where the traffic arrives.
NUM_OUT_SEGS	The number of branches used by this instance.
BRANCH-ID	The branch ID used by this instance.
OUT-LABEL	The outbound MPLS label value.
OUT-PORT	The router port through which the device reaches the next hop for this route path.
NH-ID	The next hop index used by this instance.
DIT	The downstream interface table (DIT) ID used by this branch.
TSI	The tunnel start interface (TSI) ID used by this branch.

Examples The following example displays hardware forwarding statistics on a Brocade MLX Series device:

```
Brocade# show mpls lsp_p2mp_xc
P2MP XC TABLE:
TOTAL USED = 2

      IN-LABEL  XC#   FID      MVID  IN-PORT  NUM_OUT_SEGS
      1159     0  0a00a    106   65535     1
      1160     1  0a00b    107   65535     1

Brocade# show mpls lsp_p2mp_xc 1159
TOTAL OUT_SEGS under the given in_label = 1

      BRANCH-ID  OUT-LABEL  OUT-PORT  NH-ID
              0           0         14       6

Event History -
Tue Aug 14 02:21:54 2012 P2MP BRANCH ADD
Tue Aug 14 02:21:54 2012 P2MP XC ADD
```

# 1 show mpls lsp\_p2mp\_xc

```
flag: 0, pool_index:1, avail_data:270e0800
```

The following example displays hardware forwarding statistics on a Brocade NetIron CES device:

```
Brocade# show mpls lsp_p2mp_xc
P2MP XC TABLE:
TOTAL USED = 1
```

```
IN-LABEL XC# IP-TTI @ PPCR{1, 2, 3} MPLS-TTI@{PPCR 1, 2, 3} IN-PORT NUM_OUT_SEGS
START-DIT
1024 1 65274 65275 1/1 2 2049
```

```
Brocade# show mpls lsp_p2mp_xc 1024
TOTAL OUT_SEGS under the given in_label = 2
```

BRANCH-ID	OUT-LABEL	OUT-PORT	NH-ID	DIT	TSI
0	2001	4	0	2049	0
1	2002	4	0	2050	1

Event History -

```
Tue Aug 14 12:53:17 2012 P2MP BRANCH ADD
Tue Aug 14 12:52:33 2012 P2MP BRANCH ADD
Tue Aug 14 12:52:33 2012 P2MP XC ADD
```

## History

### Release

*Multi-Service IronWare R05.5*

### Command history

This command was introduced.

## Related Commands

```
show mpls rsvp session
show mpls forwarding
```

# Configuring Label Distribution Protocol (LDP)

## LDP overview

Table 40 displays the individual Brocade devices and the Label Distribution Protocol (LDP) features they support.

**TABLE 40** Supported Brocade Label Distribution Protocol (LDP) features

Features supported	Brocade NetIron XMR Series	Brocade MLX Series	Brocade NetIron CES 2000 Series BASE package	Brocade NetIron CES 2000 Series ME_PREM package	Brocade NetIron CES 2000 Series L3_PREM package	Brocade NetIron CER 2000 Series Base package	Brocade NetIron CER 2000 Series Advanced Services package
LDP	Yes	Yes	No	Yes	No	No	Yes
LDP ECMP for transit LSR	Yes	Yes	No	No	No	No	No
LDP ECMP LER	Yes	Yes	No	No	No	No	No
LDP Hello Interval and Hold Timeout Values	Yes	Yes	No	Yes	No	No	Yes
LDP Message Authentication	Yes	Yes	No	Yes	No	No	Yes
New encryption code for passwords, authentication keys, and community strings	Yes	Yes	No	Yes	No	No	Yes
Option of FEC Type for Auto-discovered VPLS Peers	Yes	Yes	No	No	No	No	No
MPLS Signalling: LDP support	Yes	Yes	No	Yes	No	No	Yes
LDP Outbound FEC Filtering	Yes	Yes	No	Yes	No	No	Yes
LDP Label Withdraw Delay	Yes	Yes	No	Yes	No	No	Yes

**TABLE 40** Supported Brocade Label Distribution Protocol (LDP) features (Continued)

Features supported	Brocade NetIron XMR Series	Brocade MLX Series	Brocade NetIron CES 2000 Series BASE package	Brocade NetIron CES 2000 Series ME_PREM package	Brocade NetIron CES 2000 Series L3_PREM package	Brocade NetIron CER 2000 Series Base package	Brocade NetIron CER 2000 Series Advanced Services package
Resetting LDP neighbor	Yes	Yes	No	Yes	No	No	Yes
LDP graceful restart	Yes	Yes	No	No	No	No	Yes
Configurable LDP Identifier	Yes	Yes	No	Yes	No	No	Yes
LDP over RSVP (for transit LSR only)	Yes	Yes	No	Yes	Yes	Yes	Yes
RSVP-TE Hello	Yes	Yes	No	Yes	No	No	Yes
MPLS over GRE tunnel	Yes	Yes	No	No	No	No	No
Displaying the LDP version	Yes	Yes	No	Yes	No	No	Yes
Displaying Information about Specified LDP-Enabled Interfaces	Yes	Yes	No	Yes	No	No	Yes
Displaying LDP FEC information	Yes	Yes	No	Yes	No	No	Yes
Displaying information for a specified LDP FEC type	Yes	Yes	No	Yes	No	No	Yes
Displaying LDP FEC summary information	Yes	Yes	No	Yes	No	No	Yes
Displaying LDP FEC VC information	Yes	Yes	No	Yes	No	No	Yes
Displaying information for a specified LDP FEC VC	Yes	Yes	No	Yes	No	No	Yes



**TABLE 40** Supported Brocade Label Distribution Protocol (LDP) features (Continued)

Features supported	Brocade NetIron XMR Series	Brocade MLX Series	Brocade NetIron CES 2000 Series BASE package	Brocade NetIron CES 2000 Series ME_PREM package	Brocade NetIron CES 2000 Series L3_PREM package	Brocade NetIron CER 2000 Series Base package	Brocade NetIron CER 2000 Series Advanced Services package
Displaying LDP Neighbor Connection Information	Yes	Yes	No	Yes	No	No	Yes
Displaying the LDP Packet Statistics	Yes	Yes	No	Yes	No	No	Yes

**NOTE**

MPLS cannot be configured on the system globally when a NI-MLX-10Gx8-D card is installed.

The system supports Label Distribution Protocol (LDP) for the configuration of non-traffic-engineered tunnel LSPs in an MPLS network. LDP is described in RFC 3036.

When used to create tunnel LSPs, LDP allows a set of destination IP prefixes (known as a Forwarding Equivalence Class or FEC) to be associated with an LSP. Each LSR establishes a peer relationship with its neighboring LDP-enabled routers and exchanges label mapping information. This label mapping information is stored in an LDP database on each LSR. When an LSR determines that one of its peers is the next hop for a FEC, it uses the label mapping information from the peer to set up an LSP that is associated with the FEC. It then sends label mapping information to its upstream peers, allowing the LSP to extend across the MPLS network.

The devices advertise their loopback addresses to their LDP peers as a 32-bit prefix-type FEC. When an LSR installs a label for a FEC, it also creates an MPLS tunnel route, which is then made available to routing applications. This allows each router to potentially be an ingress LER for an LSP whose destination is the device's loopback address.

The result of an LDP configuration is a full mesh of LSPs in an MPLS network, with each LDP-enabled router a potential ingress, transit, or egress LSR, depending on the destination.

The implementation supports the following aspects of LDP:

*Liberal label retention* – Each LSR sends its peers Label Mapping messages, which map a label to a FEC. Peer LSR receiving these messages retain all of the mappings, even though they may not actually be used for data forwarding.

*Unsolicited label advertisement* – The LSR sends Label Mapping messages to its LDP peers even though they did not explicitly request them.

*Ordered label distribution* – The LSR sends a Label Mapping message to its peers only when it knows the next hop for a FEC, or is itself an egress LER for the FEC. When an LSR does not know the next hop for a FEC, and is not an egress LER for the FEC, it waits until a downstream LSR sends it a Label Mapping message for the FEC. At this point, the LSR can send Label Mapping messages for the FEC to its peers. This allows label mappings to be distributed, in an orderly fashion, starting from the egress LER and progressing upstream.

The Multi-Service IronWare software the LDP label space ID has a default value of zero which improves interoperability with routers from other vendors. Also, to provide backward compatibility with Multi-Service IronWare software previous versions, a command lets the user change the LDP label space ID value to 1 as described in “[Resetting LDP neighbors](#)”.

### Configuring LDP on an interface

To use LDP, a loopback address (with a 32-bit mask) *must* be configured on the LSR. The first loopback address configured on the device is used in its LDP identifier. When the loopback address used in the LDP identifier is removed, all LDP functions on the LSR is shut down. LDP sessions between the LSR and its peers are terminated, and LDP-created tunnels are removed. When other loopback interfaces are configured on the device, the lowest-numbered loopback address is then used as a new LDP identifier. LDP sessions and tunnels are set up using this new LDP identifier.

To configure LDP on an interface, enter commands such as the following.

```
Brocade(config)# router mpls
Brocade(config-mpls)# mpls-interface e 1/2
Brocade(config-mpls)# ldp-enable
```

Syntax: [no] ldp-enable

---

#### NOTE

The user must enable LDP on the same set of interfaces that IGP routing protocols such as OSPF and IS-IS are enabled.

---

### Configuring an option of FEC type for auto-discovered VPLS peers

By default, Brocade devices use FEC 129 to send the VC label binding for auto-discovered VPLS peers. There are mixed environments where VPLS static configured peers and auto-discovered peers exist. In these environments, the following VPLS command allows the user to configure FEC 128 for all VPLS. Enter a command such as the following.

```
Brocade(config)# router mpls
Brocade(config-mpls)# ldp
Brocade(config-mpls-ldp)# fec-128-for-auto-discovered-peers
```

Syntax: [no] fec-128-for-auto-discovered-peers

The default value is FEC 129.

Using the [no] option returns a configuration that was previously changed from the default value back to the default value.

---

#### NOTE

The user must reload the system for this command to take effect.

---

## LDP Inbound-FEC filtering

MPLS LDP inbound-FEC filtering filters inbound label bindings on a MPLS router. The user can control the amount of memory and CPU processing involved in installing and advertising label bindings not used for forwarding.

MPLS LDP inbound-FEC filtering also serves as a tool to avoid DOS attack. By creating a prefix-list, and specifying prefixes label mappings, the forwarding plane accepts and installs the label bindings.

The prefix-list is applied to an individual LDP session or globally to all the LDP sessions.

### Configuration Considerations

- The FECs filtered by LDP inbound-FEC filter do not install in the forwarding plane or advertise to the upstream neighbors. The FEC remains in the retained state.
- The LDP inbound-FEC filter are changed directly without deleting the one previously configured. The change automatically applies and triggers the filtering of inbound FECs.
- Changes to a referenced prefix-list automatically applies to LDP inbound-FEC filtering. This triggers filtering by way of the new configuration, filtering any existing FECs which violate the filter.
- In order to allow multiple route filter updates, the device waits for default 10 seconds before notifying the application of the filter change. The time for notification is configurable.
- When the LDP inbound-FEC filter is not configured, LDP does not filter any inbound FECs.
- By default, when the prefix-list referenced by the LDP inbound-FEC filter has no configuration, it is an implicit deny. All inbound FECs are filtered out and retained. The behavior is the same when the prefix list is deleted after setting it in the inbound FEC filter configuration. This behavior is consistent with other protocols which use device filters and also with the use of the advertise-labels command for LDP route injection.
- Inbound FEC filtering is applicable only for L3 FECs and not for VC FECs. Inbound FEC filtering is not applicable for L2VPNs.

## Configuring LDP inbound FEC filtering

### Enabling LDP inbound FEC filtering

To enable LDP inbound FEC filtering, enter commands such as the following:

```
Brocade(config)# router
Brocade(config-mpls)# ldp
Brocade(config-mpls-ldp)# filter-fec list-abc in
```

To set LDP to accept inbound FEC 10.20.20.0/24 and filter out all others FECs, enter commands such as the following:

```
Brocade(config)# ip prefix-list list-abc permit 10.20.20.0/24
Brocade(config)# router mpls
Brocade(config-mpls)# ldp
```

Syntax: [no] filter-fec *prefix-list* in

The *prefix list* parameter specifies the prefixes.

The *in* keyword specifies inbound-fec-filter configuration.

Use the *[no]* form of this command to remove the LDP inbound FEC filter.

### Modifying prefix-list after setting it in the filter-inbound-FEC

When the prefix-list referenced by the LDP inbound-FEC filter is configured or changes, all the existing in-bound FECs and received later are subject to the changed prefix-list.

---

#### NOTE

There is a configurable delay between changing the prefix-list and the changed prefix-list taking effect on LDP FEC-filter configuration.

---

```
Brocade(config)# ip prefix-list list-abc permit 10.20.20.0/24
Brocade(config)# router mpls
Brocade(config-mpls)# ldp
Brocade(config-mpls-ldp)# filter-fec list-abc in
Brocade(config-mpls)# exit
Brocade(config)# exit
Brocade(config)# ip prefix-list list-abc permit 10.21.21.21/24
```

Syntax: *[no]* filter-fec *prefix list* in

The *prefix list* parameter specifies the prefixes.

The *in* keyword specifies inbound-fec-filter configuration.

### Displaying FEC information

The `show mpls ldp` command displays the inbound FEC-filter configuration. When applying the prefix-list on LDP filter-FEC before creating it, it displays as “unbound”.

```
Brocade# show mpls ldp
Label Distribution Protocol version 1
  LSR ID: 10.122.122.122, using Loopback 1 (deleting stops LDP)
  Hello interval: Link 5 sec, Targeted 15 sec
  Hold time value sent in Hellos: Link 15 sec, Targeted 45 sec
  Keepalive interval: 10 sec, Hold time multiple: 3 intervals
  Keepalive timeout: 30
  Inbound FEC filtering prefix-list: list-abc
  Tunnel metric: 0
  FEC used for auto discovered peers: current 129, configured 129
  Graceful restart: disabled
    Reconnect time: 0 seconds, Max peer reconnect time: 120 seconds
    Recovery time: 0 seconds, Max peer recovery time: 120 seconds
  Forwarding state holding timer: not running
  Label Withdrawal Delay: 30s
```

The inbound filter-FEC is set to the prefix-list named list-xyz when list-xyz is not created in the following example.

```
Brocade# show mpls ldp
```

```
Label Distribution Protocol version 1
  LSR ID: 10.122.122.122, using Loopback 1 (deleting stops LDP)
  Hello interval: Link 5 sec, Targeted 15 sec
  Hold time value sent in Hellos: Link 15 sec, Targeted 45 sec
  Keepalive interval: 10 sec, Hold time multiple: 3 intervals
  Keepalive timeout: 30
  Inbound FEC filtering prefix-list: list-xyz (unbound)
  Tunnel metric: 0
  FEC used for auto discovered peers: current 129, configured 129
  Graceful restart: disabled
    Reconnect time: 0 seconds, Max peer reconnect time: 120 seconds
    Recovery time: 0 seconds, Max peer recovery time: 120 seconds
    Forwarding state holding timer: not running
  Label Withdrawal Delay: Disabled
```

Syntax: show mpls ldp

Table 41 shows the field and output display of the show mpls ldp command.

**TABLE 41** Output from the show mpls ldp command.

This field...	Displays...
Label Distribution Protocol version	The LDP version.
LSR ID	The identifier of the device and the loopback interface number the LDP uses. LDP advertises the address of this loopback interface in address messages.
Hello interval	How often the device sends out LDP link hello and targeted hello messages.
Hold time value sent in Hellos	How long the device waits for its LDP peers to send a hello message. The hold time is included in the link hello and targeted hello messages it sends out to its LDP peers.
KeepAlive interval	The number of seconds between successive KeepAlive messages send for an LDP session.
Hold time multiple	The number of KeepAlive messages not received before declaring a session is down.
Inbound FEC filtering prefix-list	This gives the name of the prefix-list configured in the LDP for inbound FEC filtering.
Tunnel metric	Metric value for the tunnel.
FEC used for auto discovered peers	
Graceful restart	Provides the show GR setting and the status of the forwarding state hold timer with the remaining time when it is running.
Label withdrawal delay	How long the device waits before sending a label withdrawal message for a FEC to a neighbor.

### show mpls ldp fec prefix prefix-filter

The show mpls ldp fec prefix prefix-filter displays prefix-list and filtered information.

In the following example, the downstream mapping for the inbound FECs is filtered by the inbound-FEC filter prefix-list and is displayed as a “retained” state. The output displays that it is retained due to the inbound FEC-filter action.

```

Brocade# show mpls ldp fec prefix prefix-filter 172.16.8.0/24
FEC_CB: 0x2cd83d78, idx: 4, type: 2, pend_notif: None, fec_definition:22080000
State: current, Ingr: Yes, Egr: No, UM Dist. done: Yes
Prefix: 172.16.8.0/24
next_hop: 10.55.55.14, out_if: e3/16

Downstream mappings:
Local LDP ID      Peer LDP ID      Label      State          CB
10.44.44.44:0    10.14.14.14:0    1024      Retained (f) 0x2cd3b610(-1)
    
```

Syntax: show mpls ldp fec prefix prefix-filter *prefix-list*

The *prefix-list* parameter to display FEC prefixes which the specified prefix-list allows.

## show mpls ldp fec filtered

The show mpls ldp fec filtered command displays filtered information as shown below.

```
Brocade(config)# show mpls ldp fec prefix prefix-filter prefix-list
Total number of prefix FECs: 11
Destination      State      Out-interface  Next-hop      Ingress      Egress
10.44.44.44/32   current   --              --            No           Yes
10.66.66.66/32   current   e4/2           10.1.1.2     Yes          No
10.14.14.14/32   current   e3/16          10.55.55.14  Yes          No
172.16.8.0/24    current   e3/16          10.55.55.14  Yes          No
172.16.16.0/24   current   e3/16          10.55.55.14  Yes          No
172.16.32.0/24   current   e3/16          10.55.55.14  Yes          No
172.16.64.0/24   current   e3/16          10.55.55.14  Yes          No
172.16.8.0/28    current   e3/16          10.55.55.14  Yes          No
172.16.8.16/28   current   e3/16          10.55.55.14  Yes          No
172.16.8.32/28   current   e3/16          10.55.55.14  Yes          No
172.16.8.64/28   current   e3/16          10.55.55.14  Yes          No
Brocade(config)#
Brocade(config)# ip prefix-list listabc deny 172.16.0.0/16 ge 24 le 24
Brocade(config)# ip prefix-list listabc permit 172.16.0.0/16 ge 28 le 28
Brocade(config)# ip prefix-list listabc permit 0.0.0.0/0 ge 32 le 32
```

```
Brocade(config)# show mpls ldp fec prefix prefix-filter listabc permit
Total number of prefix FECs: 11
Destination      State      Out-interface  Next-hop      Ingress      Egress
10.44.44.44/32   current   --              --            No           Yes
10.66.66.66/32   current   e4/2           10.1.1.2     Yes          No
10.14.14.14/32   current   e3/16          10.55.55.14  Yes          No
172.16.8.0/28    current   e3/16          10.55.55.14  Yes          No
172.16.8.16/28   current   e3/16          10.55.55.14  Yes          No
172.16.8.32/28   current   e3/16          10.55.55.14  Yes          No
172.16.8.64/28   current   e3/16          10.55.55.14  Yes          No
```

Syntax: show mpls ldp fec prefix filtered

Refer to [Table 41](#) for output information.

Example:

```
Brocade(config)# ip prefix-list listabc deny 172.16.0.0/16 ge 24 le 24
Brocade(config)# ip prefix-list listabc permit 172.16.0.0/16 ge 28 le 28
Brocade(config)# ip prefix-list listabc per 0.0.0.0/0 ge 32 le 32
Brocade(config)# router mpls
Brocade(config-mpls)# ldp
Brocade(config-mpls-ldp)# filter-fec list abc in
Brocade(config)# show mpls ldp fec prefix filtered
Total number of prefix FECs: 11
Destination      State      Out-interface  Next-hop      Ingress      Egress
172.16.8.0/24    current   e3/16          10.55.55.14  Yes          No
172.16.16.0/24   current   e3/16          10.55.55.14  Yes          No
172.16.32.0/24   current   e3/16          10.55.55.14  Yes          No
172.16.64.0/24   current   e3/16          10.55.55.14  Yes          No
Brocade(config)#

Brocade(config)# show mpls ldp fec prefix prefix-filter 172.16.8.0/24
FEC_CB: 0x2cd83d78, idx: 4, type: 2, pend_notif: None, fec_definition:22080000
```

## 2 LDP Inbound-FEC filtering

```
State: current, Ingr: Yes, Egr: No, UM Dist. done: No
Prefix: 172.16.8.0/24
next_hop: 10.55.55.14, out_if: e3/16
```

Downstream mappings:

Local LDP ID	Peer LDP ID	Label	State	CB
10.44.44.44:0	10.14.14.14:0	1024	Retained (f)	0x2cd3b610(-1)

Table 60 shows the field and output display of the show mpls ldp fec prefix prefix-filter command.

**TABLE 42** Output from the show mpls ldp fec prefix prefix-filter command

This field...	Displays...
Total number of prefix FECs	The total number of Layer 3 FECs.
Number of FECs filtered from peer	Number of FECs from this peer which are filtered due to the inbound FEC filter configuration.
Destination	The IP Prefix associated with the host address or the prefix FEC type.
State	The downstream mapping for the FECs not allowed by the configured inbound FEC filter prefix list. They are retained and their state displayed are suffixed with the letter (f). This indicates they are retained because of the inbound FEC filtering action.
Out-intf	For an ingress FEC, this mentions the output interface to reach to the Next-hop. The Out-Interface field displays the egress interface associated with the FEC entry. When applicable, the Out-Intf field displays a VE interface specified by the <vid> variable.
Next-hop	For an ingress FEC, this mentions the nexthop IP address.
Ingress	Whether the FEC is an ingress FEC.
Egress	Whether the FEC is an egress FEC.

### show mpls ldp database

The show mpls ldp database command displays the label database for the sessions when there is at least one mapping which is filtered due to the FEC-filter filter action. The inbound FECs filtered by the inbound-FEC filter prefix-list display as a “retained” state in the output in the show mpls ldp database command.

#### NOTE

This only applies to the inbound filter.

```
Brocade(config)# show mpls ldp database
Session 10.44.44.44:0 - 10.14.14.14:0
Downstream label database:
Label      Prefix                State
3          10.14.14.14/32       Installed
1024       172.16.8.0/24        Retained(filtered)
1025       172.16.16.0/24       Retained(filtered)
1026       172.16.32.0/24       Retained(filtered)
1027       172.16.64.0/24       Retained(filtered)
1028       172.16.8.0/28        Retained(filtered)
1029       172.16.8.16/28       Retained(filtered)
1030       172.16.8.32/28       Retained(filtered)
1031       172.16.8.64/28       Retained(filtered)
```



```

Upstream label database:
  Label      Prefix
  3          10.44.44.44/32
  1024       10.66.66.66/32
Session 10.44.44.44:0 - 10.66.66.66:0
Downstream label database:
  Label      Prefix      State
  3          10.66.66.66/32  Installed
Upstream label database:
  Label      Prefix
  3          10.44.44.44/32
  1025       10.14.14.14/32

```

Refer to [Table 60](#) for additional information.

show mpls ldp session detail

Use the show mpls ldp session detail command to display the number of FECs from the peer which are filtered due to the inbound FEC filter configuration.

```

Brocade(config)# show mpls ldp session detail
Number of link LDP sessions: 1
Number of Operational link LDP sessions: 1
Number of targeted LDP sessions: 0
Number of Operational targeted LDP sessions: 0

Peer LDP ID: 10.66.66.66:0, Local LDP ID: 10.44.44.44:0, State: Operational
  Adj: Link, Role: Passive, Next keepalive: 2 sec, Hold time left: 32 sec
  Keepalive interval: 6 sec, Max hold time: 36 sec
  Configured keepalive timeout: 36 sec
  Peer proposed keepalive timeout: 36 sec
  Up time: 21 sec
  Neighboring interfaces: e4/2
  TCP connection: 10.44.44.44:646--10.66.66.66:9075, State: ESTABLISHED
  Number of FECs installed from peer: 5
  Number of FECs filtered from peer: 1
  Next-hop addresses received from the peer:
    10.1.1.2 10.66.66.66 10.168.1.1 10.168.1.2 10.168.1.3 10.168.1.4 10.168.1.5
  IGP Sync:
    Local State: In-sync, RemoteState: -
    EOL mechanism not used.
    Receive label silence time remaining: 0 seconds
  Graceful restart: enabled
    Peer reconnect time(msec): 120000, peer recovery time(msec): 120000
    State: not started

```

Refer to [Table 60](#) for additional output information.

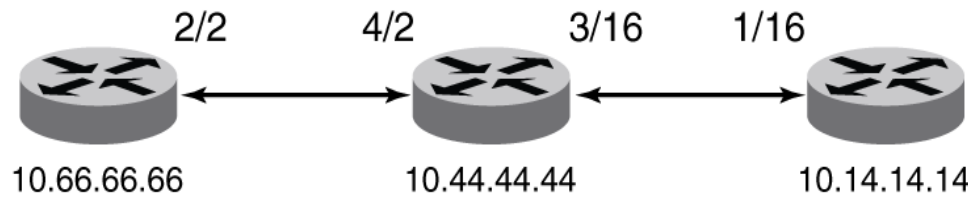
## Sample Configurations

The following examples use the FEC filtering parameter:

Consider three MPLS router system devices with an ID 10.66 with the transit device between them.

**FIGURE 45** Inbound FEC filtering example

## 2 LDP Inbound-FEC filtering



1. Use the following command to configure the prefix list to allow all /32 addresses:

```
Brocade(config)# ip prefix filter172_24 permit 172.16.0.0/16 ge 24 le 24
```

2. Configure the prefix list to allow 172.16.0.0/16 ge 24 le 24:

```
Brocade(config)# ip prefix filter172_24 permit 172.16.0.0/16 ge 24 le 24
```

3. Configure the prefix list to allow 172.16.0.0/16 ge 24 le 28:

```
Brocade(config)# ip prefix-list filter172_28 permit 172.16.0.0/16 ge 24 le 28
```

4. Configure the prefix list to allow all of the above FECs:

```
Brocade(config)# ip prefix-list filterAll permit 0.0.0.0/0 ge 32
Brocade(config)# ip prefix-list filterAll permit 172.16.0.0/16 ge 24 le 28
```

Verify the configuration by using the show mpls ldp command.

```
Brocade(config)# show mpls ldp
Label Distribution Protocol version 1
  LSR ID: 10.44.44.44, using Loopback 1 (deleting stops LDP)
  Hello interval: Link 5 sec, Targeted 15 sec
  Hold time value sent in Hellos: Link 15 sec, Targeted 45 sec
  Keepalive interval: 6 sec, Hold time multiple: 6 intervals
  Load sharing: 1
  Tunnel metric: 0
  FEC used for auto discovered peers: current 129, configured 129
  Graceful restart: disabled
Brocade(config)# show mpls ldp database
Session 10.44.44.44:0 - 10.14.14.14:0
  Downstream label database:
    Label      Prefix                State
    3          10.14.14.14/32       Installed
    1024       172.16.8.0/24        Installed
    1025       172.16.16.0/24       Installed
    1026       172.16.32.0/24       Installed
    1027       172.16.64.0/24       Installed
    1028       172.16.8.0/28        Installed
    1029       172.16.8.16/28       Installed
    1030       172.16.8.32/28       Installed
    1031       172.16.8.64/28       Installed
  Upstream label database:
    Label      Prefix                State
    3          10.44.44.44/32       Installed
    1033       10.66.66.66/32       Installed
Session 10.44.44.44:0 - 10.66.66.66:0
  Downstream label database:
    Label      Prefix                State
```

```

3          10.66.66.66/32      Installed
Upstream label database:
Label      Prefix
3          10.44.44.44/32
1024      172.16.8.0/24
1025      172.16.16.0/24
1026      172.16.32.0/24
1027      172.16.64.0/24
1028      172.16.8.0/28
1029      172.16.8.16/28
1030      172.16.8.32/28
1031      172.16.8.64/28
1032      10.14.14.14/32

```

## LDP outbound FEC filtering

LDP performs a hop-by-hop or dynamic path setup in an MPLS network by assigning and distributing labels to routes learned from the underlying IGP routing protocols. By default, LDP distributes all FECs learned locally or from LDP neighbors, to all other LDP neighbors. When this is not desired, you can configure LDP to perform outbound filtering for label advertisement using the outbound fec filtering feature. This is achieved by creating a prefix-list specifying prefixes whose label mappings can be distributed. The prefix-list is then applied to an individual LDP neighbor, or globally to all the LDP neighbors. The FECs permitted by the prefix-list only are accordingly distributed to the specified LDP neighbor or to all LDP neighbors.

This feature gives you the ability to control which FECs can be advertised and to which LDP neighbors.

- This feature reduces the number of Labels distributed to neighbors and the number of messages exchanged with peers.
- Improves LDP scalability and convergence.
- Improves security and performance.

### Limitations and pre-requisites

MPLS and LDP protocol must be enabled on the router to use this feature.

### Upgrade and downgrade considerations

On Upgrade, because there is no outbound fec filter configured, all FEC are allowed by default. For downgrade, value of outbound "fec-filter" configured, if any, is lost.

### Backward compatibility

The feature supports only the *Multi-Service NetIron Release 05.600* onwards and does not cause any incompatibility with older releases. It is fully backward compatible.

### Configuration steps

Follow the listed steps to configure LDP outbound FEC filter.

1. Create a prefix-list to permit or deny required set of FECs.
2. Go to the ldp config mode available on the router mpls config mode.
3. Set the above created prefix-list in the global or per neighbor outbound fec filter configuration.

### Configuration example

For Global outbound FEC filter configuration

Example: To set LDP to prevent advertisement of FEC 10.44.44.44/32 while allowing all other FECs to all neighbors follow the listed configuration steps.

```
Brocade(config)# ip prefix-list list-abc deny 10.44.44.44/32
Brocade(config)# ip prefix-list list-abc permit 0.0.0.0/0 ge 32
Brocade(config)# router mpls
Brocade(config-mpls)# ldp
Brocade(config-mpls-ldp)# filter-fec list-abc out
```

Syntax: [no] filter-fec *prefix-list* out

Parameters:

*prefix-list*

Prefix-list specifying the prefixes.

out

Specifies outbound-fec-filter configuration.

For per neighbor outbound FEC filter configuration

Example: To set LDP to prevent advertisement of FEC 10.44.44.44/32 while allowing all other FECs to neighbor 10.12.12.12 follow the listed configuration steps.

```
Brocade(config)# ip prefix-list list-abc deny 10.44.44.44/32
Brocade(config)# ip prefix-list list-abc permit 0.0.0.0/0 ge 32
Brocade(config)# router mpls
Brocade(config-mpls)# ldp
Brocade(config-mpls-ldp)# session 10.12.12.12 filter-fec list-abc out
```

Syntax: [no] session *peer-ip* filter-fec *prefix-list* out

Parameters:

session

The session keyword specifies the per session configuration.

*peer-ip*

The peer-ip parameter is the peer IP of the LDP to which the filter needs to be applied.

out

The out keyword specifies the outbound-fec-filter configuration.

## Commands

The following commands support this feature:

- `show configuration/running-config`
- `show mpls config`
- `show mpls ldp`
- `show mpls ldp session detail`
- `show mpls ldp session a.b.c.d/brief/detail [filtered [in | out]]`
- `show mpls ldp fec prefix A.B.C.D/y`
- `show mpls ldp fec prefix`
- `show mpls ldp fec prefix [filtered [in | out]]`

## 2 show configuration/running-config

### show configuration/running-config

The show configuration and show running-config commands displays specific MPLS interface configuration information. The outbound-fec filter configuration parameter now records in the startup or running configuration. It also now displays the name of the prefix-list configured in the LDP for outbound FEC filtering.

Syntax	show configuration running-config						
Parameters	None.						
Command modes	This command operates in all modes.						
Usage guidelines	<p>Example 1: The outbound-fec filter configuration parameter is recorded in the startup or running configuration.</p> <p>Example 2: The outbound FEC filter configuration parameter displays in the show mpls config command.</p>						
Command output	<table><thead><tr><th>Output field</th><th>Description</th></tr></thead><tbody><tr><td>filter-fec list-in</td><td>Displays the name of the prefix-list configured in the LDP for inbound FEC filtering.</td></tr><tr><td>filter-fec list-out</td><td>Displays the name of the prefix-list configured in the LDP for outbound FEC filtering.</td></tr></tbody></table>	Output field	Description	filter-fec list-in	Displays the name of the prefix-list configured in the LDP for inbound FEC filtering.	filter-fec list-out	Displays the name of the prefix-list configured in the LDP for outbound FEC filtering.
Output field	Description						
filter-fec list-in	Displays the name of the prefix-list configured in the LDP for inbound FEC filtering.						
filter-fec list-out	Displays the name of the prefix-list configured in the LDP for outbound FEC filtering.						
Example	<pre>Brocade# show mpls config ldp   filter-fec list-in in   filter-fec list-out out   session 10.3.3.3 filter-fec list-out3 out   session 10.4.4.4 filter-fec list-out4 out</pre>						
History	<table><thead><tr><th>Release</th><th>Command history</th></tr></thead><tbody><tr><td>Multi-Service NetIron Release 05.600</td><td>The outbound-fec filter configuration parameter is recorded in the startup or running configuration. The outbound FEC filter configuration parameter displays in the show mpls config command.</td></tr></tbody></table>	Release	Command history	Multi-Service NetIron Release 05.600	The outbound-fec filter configuration parameter is recorded in the startup or running configuration. The outbound FEC filter configuration parameter displays in the show mpls config command.		
Release	Command history						
Multi-Service NetIron Release 05.600	The outbound-fec filter configuration parameter is recorded in the startup or running configuration. The outbound FEC filter configuration parameter displays in the show mpls config command.						
Related commands	running-config [interface][ve][lag [detailed/id/name]][vlan]						

## show mpls config

The show mpls config command displays all of the user-configured MPLS parameters. The show mpls config [brief] command and show running-config [brief] command are enhanced to display the outbound FEC filter configuration parameter.

**Syntax** show mpls config [brief]  
show-running-config [brief]

**Parameters** brief  
The brief option displays brief MPLS configuration information.

**Command modes** This command operates in all modes.

**Usage guidelines** Use the show mpls config [brief] command or show running-config [brief] command to display the outbound FEC filter configuration parameter.

**Command output**

Command output	Description
in	Displays the name of the prefix-list configured in the LDP for inbound FEC filtering.
out	Displays the name of the prefix-list configured in the LDP for outbound FEC filtering.

**Example**

```
Brocade# show mpls config
ldp
  filter-fec list-in in
  filter-fec list-out out
  session 10.3.3.3 filter-fec list-out3 out
  session 10.4.4.4 filter-fec list-out4 out
```

**History**

Release	Command history
Multi-Service NetIron Release 05.600	The show mpls config [brief] command and show running-config [brief] command are enhanced to display the outbound FEC filter configuration parameter.
Multi-Service NetIron Release 05.500	This command was enhanced to display the label withdrawal delay setting.

**Related commands** show mpls config [[autobw-template *template\_name*][brief][bypass-lsp bypass\_lsp\_name]][cspf-group *cspf\_group\_name*][dynamic-bypass][interface [*ethernet/pos/tunnel/ve*]][lsp *lsp\_name*][path *path\_name*][static-lsp *transit*][vll *vll\_name*][vll-local *vll\_local\_name*][vpls *vpls\_name*]]

## show mpls ldp

The show mpls ldp command displays the inbound FEC-filter configuration. When applying the prefix-list on LDP filter-FEC before creating it, it displays as “unbound”. The output of show mpls ldp command is modified to accommodate the out-bound FEC filter configuration. The prefix-list is displayed as (does not exist) when the given prefix-list is not created in system.

Syntax	show mpls ldp [fec [ <i>prefix</i> [ <i>prefix-filter</i> ]]]																		
Parameters	<p><b>data</b>      <i>fec</i></p> <p>The <i>fec</i> option displays the FEC configuration information specified by the <i>prefix</i>, <i>summary</i>, or <i>vc</i> variable.</p> <p><i>prefix</i></p> <p>The <i>prefix</i> option displays prefix FEC information.</p> <p><i>prefix-filter</i></p> <p>The <i>prefix-filter</i> displays filter fec using prefix-list.</p>																		
base																			
Command modes	This command operates in all modes.																		
Usage guidelines	Use when the outbound filter-fec is set to prefix-list named list-out and the when prefix-list list-out is already created.																		
Command output	<p>The show mpls ldp command displays the following information.</p> <table border="1"> <thead> <tr> <th>Command output</th> <th>Description</th> </tr> </thead> <tbody> <tr> <td>Label Distribution Protocol version</td> <td>The LDP version.</td> </tr> <tr> <td>LSR ID</td> <td>The identifier of the device and the loopback interface number the LDP uses. LDP advertises the address of this loopback interface in address messages.</td> </tr> <tr> <td>Hello interval</td> <td>How often the device sends out LDP link hello and targeted hello messages.</td> </tr> <tr> <td>Hold time value sent in Hellos</td> <td>How long the device waits for its LDP peers to send a hello message. The hold time is included in the link hello and targeted hello messages it sends out to its LDP peers.</td> </tr> <tr> <td>KeepAlive interval</td> <td>The number of seconds between successive KeepAlive messages send for an LDP session.</td> </tr> <tr> <td>Hold time multiple</td> <td>The number of KeepAlive messages not received before declaring a session is down.</td> </tr> <tr> <td>KeepAlive timeout</td> <td>The KeepAlive timeout value displays the value used in negotiation during the LDP session setup.</td> </tr> <tr> <td>Inbound FEC filtering prefix-list</td> <td>This gives the name of the prefix-list configured in the LDP for inbound FEC filtering.</td> </tr> </tbody> </table>	Command output	Description	Label Distribution Protocol version	The LDP version.	LSR ID	The identifier of the device and the loopback interface number the LDP uses. LDP advertises the address of this loopback interface in address messages.	Hello interval	How often the device sends out LDP link hello and targeted hello messages.	Hold time value sent in Hellos	How long the device waits for its LDP peers to send a hello message. The hold time is included in the link hello and targeted hello messages it sends out to its LDP peers.	KeepAlive interval	The number of seconds between successive KeepAlive messages send for an LDP session.	Hold time multiple	The number of KeepAlive messages not received before declaring a session is down.	KeepAlive timeout	The KeepAlive timeout value displays the value used in negotiation during the LDP session setup.	Inbound FEC filtering prefix-list	This gives the name of the prefix-list configured in the LDP for inbound FEC filtering.
Command output	Description																		
Label Distribution Protocol version	The LDP version.																		
LSR ID	The identifier of the device and the loopback interface number the LDP uses. LDP advertises the address of this loopback interface in address messages.																		
Hello interval	How often the device sends out LDP link hello and targeted hello messages.																		
Hold time value sent in Hellos	How long the device waits for its LDP peers to send a hello message. The hold time is included in the link hello and targeted hello messages it sends out to its LDP peers.																		
KeepAlive interval	The number of seconds between successive KeepAlive messages send for an LDP session.																		
Hold time multiple	The number of KeepAlive messages not received before declaring a session is down.																		
KeepAlive timeout	The KeepAlive timeout value displays the value used in negotiation during the LDP session setup.																		
Inbound FEC filtering prefix-list	This gives the name of the prefix-list configured in the LDP for inbound FEC filtering.																		



Command output	Description
Tunnel metric	Displays information to decide whether LDP or RSVP is the preferred method for BGP next-hop resolution.
Graceful restart	Provides the show GR setting and the status of the forwarding state hold timer with the remaining time when it is running.
Label withdrawal delay	How long the device waits before sending a label withdrawal message for a FEC to a neighbor.

**Example**

```
(config-mpls-ldp)# show mpls ldp
Label Distribution Protocol version 1
LSR ID: 10.14.14.14, using Loopback 1 (deleting it will stop LDP)
Hello interval: Link 5 sec, Targeted 15 sec
Hold time value sent in Hellos: Link 15 sec, Targeted 45 sec
Keepalive interval: 5 sec, Hold time multiple: 7 intervals
Keepalive timeout: 40 sec
Load sharing: 4
Inbound FEC filtering prefix-list: list-in
Outbound FEC filtering prefix-list: list-out
Tunnel metric: 0
FEC used for auto discovered peers: current 129, configured 129
End of LIB: Disabled, Receive label silence time: 1000 ms
Graceful restart: disabled
```

**History**

Release	Command history
<i>Multi-Service NetIron Release 05.600</i>	The output of show mpls ldp command is modified to accommodate the out-bound FEC filter configuration. The prefix-list is displayed as (does not exist) when the given prefix-list is not created in system.
<i>Multi-Service NetIron Release 05.500</i>	This command was enhanced to display the label withdrawal delay setting.

Related commands show mpls ldp [[database [A.B.C.D/filtered]][fec [prefix /summary/vc]][interface [ethernet/po /tunnel/ve]][neighbor [A.B.C.D/detail]][path A.B.C.D][session [A.B.C.D/brief/detail]][statistics] [targeted-peer A.B.C.D][tunnel [A.B.C.D/brief/detail/out-interface]]]

## show mpls ldp session detail

Use the show mpls ldp session detail command to display the number of FECs from the peer which are filtered due to the inbound FEC filter configuration. The output of show mpls ldp session detail command is modified to accommodate the out-bound FEC filter configuration. The prefix-list displays as (does not exist) when the given prefix-list is not created in system. The filtered FEC counter now shows both filtered, because of inbound and outbound filtering action.

Syntax	show mpls ldp session detail
Parameters	None.
Command modes	This command operates in all modes.
Usage guidelines	The key displayed using the command, show mpls ldp session detail is the one configured for that session. This key may not be the one which is "in use" by that session as the session may have been established prior to the change in the configured key. When the session is already in the established state, any change in the authentication key takes effect during the next incarnation of the LDP session.

Command output The show mpls ldp session detail command displays the following information.

Output field	Description
Peer LDP ID	The LDP identifier of the peer LSR. The first four octets identify the peer LSR IP address; the second two octets identify a label space on the LSR. For LSRs that use per-platform label spaces, the second two octets are always zero.
Local LDP ID	This LSRs LDP identifier.
State	The LDP session state, as defined in RFC 3036. This can be "Nonexistent", "Initialized", "OpenRec", "OpenSent", or "Operational".
Adj	Whether the session was established using the Link adjacency (basic discovery) or the Targeted discovery (extended discovery).
Role	Whether this LSR is playing an "active" or "passive" role in session establishment.
Next KeepAlive	When this LDP session is established, the amount of time, in seconds, before the next KeepAlive message is sent to the active peer. When this LSR is the active peer, prior to establishing a session with the passive peer, the text "Next Initialization" is displayed instead. The "Next Initialization" value indicates, in seconds, when the next Initialization message is sent to the passive peer.
Hold time left	The amount of time, in seconds, before the LDP session times out when no KeepAlive message is received from the peer.
Max hold time	The number of seconds that the "Hold time remain" counter is reset to once a KeepAlive message is received from the peer.
Up Time	The Up Time is displayed in days, hours, minutes, and seconds. This line appears only when the session is in Operational UP State.
KeepAlive interval	The amount of time the LSR waits for an LDP PDU from the peer. When this amount of time passes without receiving an LDP PDU from the peer, the LDP session is terminated.

Output field	Description
MD5 Authentication Key	The MD5 authentication key is displayed in an encrypted form when you do not have the correct privileges. When you have the correct permission, it displays as clear text.
Neighboring interfaces	The interfaces where an LDP neighbor or adjacency relationship has been established with the peer. When there are multiple connections between two LDP-enabled peers, there can be multiple neighboring interfaces. When applicable, the 'Neighboring Interface' field displays a VE interface specified by the <i>vid</i> variable.
TCP connection	The local and remote IP addresses and port numbers for the TCP connection between the peers.
State	The state of the TCP connection between the peers.
Next-hop addresses received from the peer	The next-hop addresses received from the peer in LDP address messages. The LSR uses this list of addresses to determine whether the peer is the correct next hop for a destination route. When one of the addresses in this list is the correct next hop for the route, the label received from the peer is installed for that route, allowing it to be used for data forwarding.

### Example

```

Brocade# show mpls ldp session detail
  Number of link LDP sessions: 1
  Number of Operational link LDP sessions: 1
  Number of targeted LDP sessions: 0
  Number of Operational targeted LDP sessions: 0

Peer LDP ID: 10.12.12.12:0, Local LDP ID: 10.14.14.14:0, State: Operational
  Adj: Link, Role: Active, Next keepalive: 4 sec, Hold time left: 39 sec
  Keepalive interval: 5 sec, Max hold time: 40 sec
  Configured keepalive timeout: 40 sec
  Peer proposed keepalive timeout: 49 sec
  Up time: 17 hr 21 min 23 sec
  Neighboring interfaces: e2/1
  TCP connection: 10.14.14.14:9005--10.12.12.12:646, State: ESTABLISHED
  Number of FECs installed from peer: 7
  Number of FECs filtered for peer (in/out): 0/0
  Next-hop addresses received from the peer:
    10.12.12.12 10.21.21.12 10.23.23.12 10.29.29.12 192.168.1.1
    192.168.1.2 192.168.1.3 192.168.1.4 192.168.1.5
  IGP Sync:
    Unrecognized Notification Capability: Local: Off, Remote: Off
    Local State: In-sync, RemoteState: -
    Receive label silence time: 1000 ms, Timer not running
  Graceful restart: disabled
  Number of FECs Received from peer: 7
  Number of FECs installed from peer: 7
  Number of FECs filtered for peer(in/out): 0/3
  Outbound FEC filtering prefix-list: list-out

```

## 2 show mpls ldp session detail

### History

#### Release

*Multi-Service NetIron Release 05.600*

#### Command history

The output of show mpls ldp session detail command is modified to accommodate the out-bound FEC filter configuration. The prefix-list displays as (does not exist) when the given prefix-list is not created in system. The filtered FEC counter now shows both, filtered because of inbound and outbound filtering action.

Related commands  
None.

show mpls ldp session *a.b.c.d/brief/detail* [filtered [in | out]]

The command show mpls ldp session *a.b.c.d* is extended to include the option filtered. When this option is supplied, the display includes a list of upstream and downstream mappings for the session which are filtered due to the outbound and inbound FEC filter configuration. Further, two sub options in and out can be used with the filtered option to display only filtered downstream or filtered upstream mappings, respectively.

Syntax show mpls ldp session [*a.b.c.d/brief/detail*][filtered [in | out]]

Parameters *A.B.C.D*

The *A.B.C.D* variable is the Peer IP address.

*brief*

The *brief* variable displays brief configuration information.

*detail*

The *detail* variable displays detailed configuration information.

filtered

The filtered option displays only filtered downstream or upstream mappings configuration information specified by the in or out keyword.

Command modes This command operates in all modes.

Usage guidelines When this option is supplied, the display includes a list of upstream and downstream mappings for the session which are filtered due to the outbound and inbound fec filter configuration.

Command output The show mpls ldp session *A.B.C.D* [filtered [in/out]] command displays the following information.

Output field	Description
Peer LDP ID:	The LDP identifier of the peer LSR. The first four octets identify the peer LSR IP address; the second two octets identify a label space on the LSR. For LSRs that use per-platform label spaces, the second two octets are always zero.
Local LDP ID:	This LSRs LDP identifier.
State:	The LDP session state, as defined in RFC 3036. This can be "Nonexistent", "Initialized", "OpenRec", "OpenSent", or "Operational".
Adj:	Whether the session was established using the Link adjacency (basic discovery) or the Targeted discovery (extended discovery).
Role:	Whether this LSR is playing an "active" or "passive" role in session establishment.
Next KeepAlive:	When this LDP session is established, the amount of time, in seconds, before the next KeepAlive message is sent to the active peer. When this LSR is the active peer, prior to establishing a session with the passive peer, the text "Next Initialization" is displayed instead. The "Next Initialization" value indicates, in seconds, when the next Initialization message is sent to the passive peer.
Hold time left:	The amount of time, in seconds, before the LDP session times out when no KeepAlive message is received from the peer.

## 2 show mpls ldp session a.b.c.d/brief/detail [filtered [in | out]]

Output field	Description
KeepAlive interval:	The number of seconds between successive KeepAlive messages send for an LDP session.When ka-interval is configured, then ka-timeout value displays as product ka-interval * ka-int-count.
Max hold time:	The number of seconds that the “Hold time remain” counter is reset to once a KeepAlive message is received from the peer.
Configured KeepAlive timeout:	The keepalive timeout configured on this router under global LDP.
Peer proposed KeepAlive timeout:	The keepalive hold time sent by the peer in its initialization message.
Up time:	The Up Time is displayed in days, hours, minutes, and seconds. This line appears only when the session is in Operational Up State.
Neighboring interfaces:	The interfaces where an LDP neighbor/adjacency relationship has been established with the peer. When there are multiple connections between two LDP-enabled peers, there can be multiple neighboring interfaces. When applicable, the ‘Interface’ field displays a VE interface specified by the vid variable.
TCP connection:	The local and remote IP addresses and port numbers for the TCP connection between the peers.
State:	The state of the TCP connection between the peers.
Next-hop addresses received from the peer:	The next-hop addresses received from the peer in LDP address messages. The LSR uses this list of addresses to determine whether the peer is the correct next hop for a destination route. When one of the addresses in this list is the correct next hop for the route, the label received from the peer is installed for that route, allowing it to be used for data forwarding.
IGP Sync:	Whether or not LDP-IGP sync is enabled on the interface.
Receive label silence time:	The length of time of the receive label silence timer in milliseconds. Possible values are from 100 to 60000 milliseconds. The default value is 1000.
Graceful restart:	Provides the show GR setting and the status of the forwarding state hold timer with the remaining time when it is running.
Number of FECs Received from peer:	This is the count of the number of FECs received from this peer.
Number of FECs installed from peer:	This is the count of the number of FECs installed based on labels received from this peer. Both prefix and VC FECs contribute to this count. The count reflects the number of FECs installed in the forwarding plane, not just the count of FECs indicated to be installed.
Number of FECs filtered for peer (in/out):	Number of FECs from this peer which are filtered due to the inbound or outbound FEC filter configuration.
Outbound FEC filtering prefix-list:	Displays the per session outbound FEC filter configured in the LDP for the outbound FEC filtering. Does not apply to the the global out-bound FEC filter in the LDP.
FECs received from peer and filtered inbound	Number of FECs from this peer which are filtered due to the inbound FEC filter configuration.
FECs not advertised to peer because of outbound filter	Number of FECs not advertised to peer which are filtered due to the outbound FEC filter configuration.

### Example

```
Brocade# show mpls ldp session 10.12.12.12 filtered
Number of link LDP sessions: 1
```

```

Number of Operational link LDP sessions: 1
Number of targeted LDP sessions: 0
Number of Operational targeted LDP sessions: 0

Peer LDP ID: 10.12.12.12:0, Local LDP ID: 10.14.14.14:0, State: Operational
Adj: Link, Role: Active, Next keepalive: 4 sec, Hold time left: 39 sec
Keepalive interval: 5 sec, Max hold time: 40 sec
Configured keepalive timeout: 40 sec
Peer proposed keepalive timeout: 49 sec
Up time: 17 hr 21 min 23 sec
Neighboring interfaces: e2/1
TCP connection: 10.14.14.14:9005--10.12.12.12:646, State: ESTABLISHED
Next-hop addresses received from the peer:
  10.12.12.12  10.21.21.12  10.23.23.12  10.29.29.12  192.168.1.1
  192.168.1.2  192.168.1.3  192.168.1.4  192.168.1.5
IGP Sync:
  Unrecognized Notification Capability: Local: Off, Remote: Off
  Local State: In-sync, RemoteState: -
  Receive label silence time: 1000 ms, Timer not running
Graceful restart: disabled
Number of FECs Received from peer: 7
Number of FECs installed from peer: 2
Number of FECs filtered for peer(in/out): 5/3
Outbound FEC filtering prefix-list: list-out
FECs received from peer and filtered inbound
  3          192.168.1.6/32
  3          192.168.1.7/32
  3          192.168.1.8/32
  3          192.168.1.9/32
  3          192.168.1.10/32
FECs not advertised to peer because of outbound filter
192.168.1.3/32
192.168.1.4/32
192.168.1.5/32

Router # show mpls ldp session 10.12.12.12 filtered in
Number of link LDP sessions: 1
Number of Operational link LDP sessions: 1
Number of targeted LDP sessions: 0
Number of Operational targeted LDP sessions: 0

Peer LDP ID: 10.12.12.12:0, Local LDP ID: 10.14.14.14:0, State: Operational
Adj: Link, Role: Active, Next keepalive: 4 sec, Hold time left: 39 sec
Keepalive interval: 5 sec, Max hold time: 40 sec
Configured keepalive timeout: 40 sec
Peer proposed keepalive timeout: 49 sec
Up time: 17 hr 21 min 23 sec
Neighboring interfaces: e2/1
TCP connection: 10.14.14.14:9005--10.12.12.12:646, State: ESTABLISHED
Next-hop addresses received from the peer:
  10.12.12.12  10.21.21.12  10.23.23.12  10.29.29.12  192.168.1.1
  192.168.1.2  192.168.1.3  192.168.1.4  192.168.1.5
IGP Sync:
  Unrecognized Notification Capability: Local: Off, Remote: Off
  Local State: In-sync, RemoteState: -
  Receive label silence time: 1000 ms, Timer not running
Graceful restart: disabled
Number of FECs Received from peer: 7
Number of FECs installed from peer: 2
Number of FECs filtered for peer(in/out): 5/3

```

## 2 show mpls ldp session a.b.c.d/brief/detail [filtered [in|out]]

```
Outbound FEC filtering prefix-list: list-out
FECs received from peer and filtered inbound
 3          192.168.1.6/32
 3          192.168.1.7/32
 3          192.168.1.8/32
 3          192.168.1.9/32
 3          192.168.1.10/32
```

```
Router # show mpls ldp session 10.12.12.12 filtered out
Number of link LDP sessions: 1
Number of Operational link LDP sessions: 1
Number of targeted LDP sessions: 0
Number of Operational targeted LDP sessions: 0
```

```
Peer LDP ID: 0.12.12.12:0, Local LDP ID: 10.14.14.14:0, State: Operational
Adj: Link, Role: Active, Next keepalive: 4 sec, Hold time left: 39 sec
Keepalive interval: 5 sec, Max hold time: 40 sec
Configured keepalive timeout: 40 sec
Peer proposed keepalive timeout: 49 sec
Up time: 17 hr 21 min 23 sec
Neighboring interfaces: e2/1
TCP connection: 10.14.14.14:9005--10.12.12.12:646, State: ESTABLISHED
Next-hop addresses received from the peer:
 10.12.12.12 10.21.21.12 10.23.23.12 10.29.29.12 192.168.1.1
 192.168.1.2 192.168.1.3 192.168.1.4 192.168.1.5
IGP Sync:
  Unrecognized Notification Capability: Local: Off, Remote: Off
  Local State: In-sync, RemoteState: -
  Receive label silence time: 1000 ms, Timer not running
Graceful restart: disabled
Number of FECs Received from peer: 7
Number of FECs installed from peer: 2
Number of FECs filtered for peer(in/out): 5/3
Outbound FEC filtering prefix-list: list-out
FECs not advertised to peer because of outbound filter
192.168.1.3/32
192.168.1.4/32
192.168.1.5/32
```

### History

Release	Command history
<i>Multi-Service NetIron Release 05.600</i>	The command show mpls ldp session a.b.c.d is extended to include the option filtered.
<i>Multi-Service NetIron Release 05.500</i>	The show mpls ldp session command output was enhanced to display the total number of link and targeted sessions in operational state.

Related commands None.



## show mpls ldp fec prefix A.B.C.D/y

The prefix option is introduced to the show mpls ldp fec command. The show mpls ldp fec prefix command displays the total number of Layer 3 FECs. The output of show mpls ldp fec prefix command is modified to indicate the upstream mappings, which are filtered because of the action of peer or global outbound FEC filter, as (f) instead of the label. (f) indicates that the FEC is filtered and no label mapping is advertised to the given LDP peer.

**Syntax** show mpls ldp fec [prefix [A.B.C.D/y/filtered/prefix-filter]][summary][vc vc\_id]

**Parameters** prefix

The prefix option displays the total number of Layer FECs specified by the A.B.C.D, filtered, or prefix-filter variable.

summary

The summary option displays the summary configuration information.

vc

The vc option displays the VC FEC configuration information specified by the vc\_id variable.

**Command modes** This command operates in all modes.

**Usage guidelines** Use the command to indicate the upstream mappings, which are filtered because of the action of peer or global outbound FEC filter, as (f) instead of the label. (f) indicates that the FEC is filtered and no label mapping is advertised to the given LDP peer.

**Command output** The show mpls ldp fec prefix [A.B.C.D/y] command displays the following information.

Command output	Description
FEC_CB	Memory address of the FEC CB.
idx	A monotonically increasing number assigned to each FEC in the LDP internal FEC tree.
type	FEC type – Prefix FEC is type 2 and Host Address is assigned type 3.
pend_notif	Any notification pending on this FEC.
State	State of the FEC which indicates the FEC advertised to any LDP session (state equal to “current”). When it has no session, it is either called “cur_no_sess” (currently no session) for local FECs or is marked “retained” for non-local.
Ingr	Whether the FEC is an ingress FEC.
Egr	Whether the FEC is an egress FEC.
UM Dist	Specifies when Upstream Mapping Distribution is complete.
Prefix	The IP Prefix associated with the host address or the prefix FEC type.
next_hop	For an ingress FEC, this mentions the next-hop IP address. When LDP selects its outgoing interface as an RSVP tunnel, the ‘next_hop’ field displays the RSVP tunnel destination address.
out_if	For an ingress FEC, this mentions the output interface to reach to the Next-hop. When applicable, the ‘Out-Intf’ field displays a VE interface specified by the vid variable.

## 2 show mpls ldp fec prefix A.B.C.D/y

Command output	Description
Downstream Mappings	Contents of the downstream mapping CB created as a result of the label mapping received from the downstream LDP peer.
Local LDP ID	Local LDP ID of the LDP session to which this downstream mapping CB belongs.
Peer LDP ID	Remote LDP ID of the LDP session to which this downstream mapping CB belongs.
Label	MPLS label received from the downstream LSR.
State	State of label. Either installed or retained.
CB	Memory address of the downstream mapping CB.

### Example

```

Brocade# show mpls ldp fec prefix 10.14.14.14/32
FEC_CB: 0x2d19811c, idx: 8, type: 2, pend_notif: None
State: current, Ingr: Yes, Egr: No, UM Dist. done: Yes
Prefix: 10.14.14.14/32
next_hop: 10.23.23.14, out_if: e2/1

Downstream mappings:
Local LDP ID      Peer LDP ID      Label      State      CB
10.12.12.12:0    10.14.14.14:0    3          Installed  0x2d14eb3c(-1)

Upstream mappings:
Local LDP ID      Peer LDP ID      Label      CB
10.12.12.12:0    10.15.15.15:0    3          0x2d14f610(-1)
10.12.12.12:0    10.21.21.21:0    (f)        -

```

### History

Release	Command history
<i>Multi-Service NetIron Release 05.600</i>	The prefix option is introduced to the show mpls ldp fec command. The output of show mpls ldp fec prefix command is modified to indicate the upstream mappings, which are filtered because of the action of peer or global outbound FEC filter, as (f) instead of the label. (f) indicates that the FEC is filtered and no label mapping is advertised to the given LDP peer.
<i>Multi-Service NetIron Release 05.500</i>	Command was introduced.

Related commands: None.

## show mpls ldp fec prefix

An additional column is added in the output of this command to indicate that the FEC is filtered because of Inbound (In) or Outbound (Out) FEC filter action or if it is not filtered (-). The filtered prefix FEC counter now includes counters for both inbound and outbound filtered FEC.

Syntax `show mpls ldp fec [prefix [A.B.C.D/filtered/prefix-filter prefix_list_name]]`

Parameters `prefix`

The `prefix` option displays the total number of Layer FECs specified by the `A.B.C.D`, `filtered`, or `prefix-filter` variable.

Command modes This command operates in all modes.

Usage guidelines The filtered prefix FEC counter now includes counters for both inbound and outbound filtered FEC.

Command output The `show mpls ldp fec prefix` command displays the following information.

Command output	Description
Total number of prefix FECs	The total number of Layer 3 FECs.
Total number of prefix FECs installed	The total number of Layer 3 FECs installed.
Total number of prefix FECs filtered (in/out)	The total number of Layer 3 FECs filtered.
Destination	The IP Prefix associated with the host address or the prefix FEC type.
State	State of the FEC which indicates the FEC advertised to any LDP session (state equal to 'current'. When it has no session, it is either called 'cur_no_sess' (currently no session) for local FECs or is marked "retained" for non-local FECs.
Out-intf	For an ingress FEC, this mentions the output interface to reach to the Next-hop. The 'Out-Intf' field displays the egress interface associated with the FEC entry. When applicable, the 'Out-Intf' field displays a VE interface specified by the <code>vid</code> variable.
Next-hop	For an ingress FEC, this mentions the next-hop IP address.
Ingress	Whether the FEC is an ingress FEC.
Egress	Whether the FEC is an egress FEC.
Filtered	The FEC is filtered Inbound (In) or Outbound (Out) or is not filtered (-).

### Example

```
Brocade# show mpls ldp fec prefix
Total number of prefix FECs: 6
Total number of prefix FECs installed: 1
Total number of prefix FECs filtered (in/out): 2/2
```

Destination	State	Out-intf	Next-hop	Ingress	Egress	Filtered
10.14.14.14/32	current	--	--	No	Yes	-
192.168.1.1/32	current	e2/1	10.23.23.12	Yes	No	In

## 2 show mpls ldp fec prefix

192.168.1.2/32	current	e2/1	10.23.23.12	Yes	No	<b>In</b>
192.168.1.3/32	current	e2/1	10.23.23.12	Yes	No	<b>Out</b>
192.168.1.4/32	current	e2/1	10.23.23.12	Yes	No	<b>Out</b>
192.168.1.5/32	current	e2/1	10.23.23.12	Yes	No	-

### History

#### Release

#### Command history

*Multi-Service NetIron Release 05.600* An additional column is added in the output of this command to indicate that the FEC is filtered because of Inbound (In) / Outbound (Out) FEC filter action or if it is not filtered ( - ). The filtered prefix FEC counter now includes counters for both inbound and outbound filtered FEC.

### Related commands

show mpls ldp fec [summary][vc vc\_id]

## show mpls ldp fec prefix [*filtered* [in | out]]

The filtered options on the show mpls ldp fec prefix command now includes lists of both, FECs filtered due to inbound and outbound FEC filtering configuration. It also has two sub options, “in” and “out”, to display the FECs filtered due to inbound and outbound FEC filters, respectively. When one of the upstream mapping for a FEC is filtered, it displays in this list as filtered.

Syntax show mpls ldp fec [prefix [A.B.C.D/*filtered*/prefix-filter]][in/out]]

Parameters prefix

The prefix option displays the total number of Layer FECs specified by the A.B.C.D, *filtered*, or *prefix-filter* variable.

filtered

The filtered option displays only filtered downstream or upstream mappings configuration information specified by the in or out keyword.

Command modes This command operates in all modes.

Usage guidelines When this option is supplied, the display includes a list of upstream and downstream mappings for the session which are filtered due to the outbound and inbound fec filter configuration.

Command output The show mpls ldp fec prefix *filtered* command displays the following information.

Output field	Description
Total number of prefix FECs:	The total number of Layer 3 FECs.
Total number of prefix FECs installed	How many routes the has received from the neighbor during the current BGP4 session: <ul style="list-style-type: none"> <li>Filtered – Indicates how many of the received routes the device filtered and did not accept.</li> <li>Filtered or kept – Indicates how many of the received routes the device did not accept or install because they were denied by filters.</li> </ul>
Total number of prefix FECs filtered (in/out):	Number of FECs from this peer which are filtered due to the inbound and outbound FEC filter configurations.
Destination	The IP Prefix associated with the host address or the prefix FEC type.
State	The downstream mapping for the FECs not allowed by the configured inbound FEC filter prefix list. They are retained and their state displayed are suffixed with the letter (f). This indicates they are retained because of the inbound FEC filtering action.
Out-intf	For an ingress FEC, this mentions the output interface to reach to the Next-hop. The ‘Out-Interface’ field displays the egress interface associated with the FEC entry. When applicable, the ‘Out-Intf’ field displays a VE interface specified by the <i>vid</i> variable.
Next-hop	For an ingress FEC, this mentions the next-hop IP address.
Ingress	Displays if the FEC is an ingress FEC.
Egress	Displays if the FEC is an egress FEC.
Filtered	The FEC is filtered Inbound (In) or Outbound (Out) or is not filtered ( - ).

Example Brocade# show mpls ldp fec prefix **filtered**

## 2 Label withdrawal delay

```
Total number of prefix FECs: 6
Total number of prefix FECs installed: 1
Total number of prefix FECs filtered (in/out): 2/2
```

Destination	State	Out-intf	Next-hop	Ingress	Egress	Filtered
192.168.1.1/32	current	e2/1	10.23.23.12	Yes	No	In
192.168.1.2/32	current	e2/1	10.23.23.12	Yes	No	In
192.168.1.3/32	current	e2/1	10.23.23.12	Yes	No	Out
192.168.1.4/32	current	e2/1	10.23.23.12	Yes	No	Out

```
Brocade# show mpls ldp fec prefix filtered in
Total number of prefix FECs: 6
Total number of prefix FECs installed: 1
Total number of prefix FECs filtered (in/out): 2/2
```

Destination	State	Out-intf	Next-hop	Ingress	Egress	Filtered
192.168.1.1/32	current	e2/1	10.23.23.12	Yes	No	In
192.168.1.2/32	current	e2/1	10.23.23.12	Yes	No	In

```
Brocade# show mpls ldp fec prefix filtered out
Total number of prefix FECs: 6
Total number of prefix FECs installed: 1
Total number of prefix FECs filtered (in/out): 2/2
```

Destination	State	Out-intf	Next-hop	Ingress	Egress	Filtered
192.168.1.3/32	current	e2/1	10.23.23.12	Yes	No	Out
192.168.1.4/32	current	e2/1	10.23.23.12	Yes	No	Out

### History

#### Release

*Multi-Service NetIron Release 05.600*

#### Command history

The filtered options on the show mpls ldp fec prefix command now includes lists of both, FECs filtered due to inbound and outbound FEC filtering configuration.

Related commands  
None.

## Label withdrawal delay

The label withdrawal timer delays sending a label withdraw message for a FEC to a neighbor.

When an LDP session fails, the label associated with a FEC is withdrawn from all upstream peers. In addition, if the IGP adjusts the route for the FEC such that the current neighbor is no longer the next hop for the FEC, then the associated FEC label is withdrawn from all upstream peers.

The label withdrawal delay timer introduces a configurable delay to allow the IGP and LDP to converge after these events. The delay helps avoid sending the label withdraw message to the upstream peers. For example, after a link failure, instead of immediately sending a label withdraw to all upstream peers for the FEC; the delay allows the IGP to install a route which may match another existing downstream session. Label withdrawal from all upstream peers can be avoided if the FEC achieves a downstream label mapping which is consistent with the IGP routing table.

If the timer expires, the FEC label is then withdrawn from all upstream peers.

## Upgrade to R05.5.00

If a system is upgraded to R05.5.00 from a release which does not support the label withdrawal delay feature, then the newly upgraded system will exhibit new behavior as label withdrawal delay is enabled by default in R05.5.00.

If a system is upgraded from a release which supports label withdrawal delay, then the newly upgraded system may exhibit new behavior; as follows:

- If there is no label withdrawal delay configuration, the system will exhibit the default behavior after the upgrade. This means that the system will change to having label withdrawal delay enabled.
- If a label withdrawal configuration exists, the label withdrawal delay feature will be enabled. However, if the value for the timer matches the default (i.e. 60 seconds) then the configuration line will be removed from the running config.

## Downgrade from R05.5.00

If a system running R05.5.00 is downgraded to a release which does not support this feature, the feature will not be available.

If the system is downgraded to a release which does support this featureless example the 5.4.00c patch), the behavior is as follows:

- If the configuration has a line for disabling label withdrawal delay (example, the value is set to 0) then the feature will be disabled after the downgrade.
- If there is no label withdrawal delay configuration then the feature will be disabled after the downgrade.
- If the configuration has a line for enabling label withdrawal delay because, for example, it is set to a non-default value then the feature will be enabled after the downgrade.

## Configuring the label withdrawal delay timer

The label withdrawal delay timer delays sending a label withdrawal message for a FEC to a neighbor. This feature is enabled by default.

### Examples

To set the label withdrawal delay timer to 30 seconds, enter the following command:

```
Brocade(config-mpls-ldp)# label-withdrawal-delay 30
```

To restore the label withdrawal delay timer default behavior, when the delay period is already configured as 30 seconds, enter the following command:

```
Brocade(config-mpls-ldp)# no label-withdrawal-delay 30
```

To disable the label withdrawal delay timer, enter the following command:

```
Brocade(config-mpls-ldp)# label-withdrawal-delay 0
```

[no] label-withdrawal-delay secs

The secs variable specifies the delay period (in seconds) for the label withdrawal delay timer. The range is 0 - 300. The default value is 60.

Setting the secs variable to a value in the range 1 - 300, updates the configured value.

Setting the secs variable to 0 disables the label withdrawal delay feature for subsequent events. Any FEC which has already started the label withdrawal delay timer continues to run the timer and to delay sending its label withdrawal messages upstream

The [no] form of the command restores the default behavior. The value specified for the secs variable must match the configured value at the time that the no form of the command is executed

---

**NOTE**

A typical convergence period in a heavily scaled network (50 LDP sessions and 4k FECs) on the XMR platform is less than four seconds for a single link up or session down event.

---

To display information on the label withdrawal delay configuration refer to [“Displaying FEC information”](#).

### Label withdrawal delay and LDP Graceful Restart (GR)

#### Helper node

Graceful restart helper procedures are initiated when a session to a peer goes down. During the session down processing, the label mappings exchanged with a peer are preserved while the peer is reconnecting. If the peer session is reconnected within a configurable time limit then the label mappings previously exchanged with the peer are refreshed with new label mappings. Any mappings that are not refreshed are released.

When both label withdrawal delay and GR are enabled, the label withdrawal delay timer is not initiated when the session goes down because the session is considered to be in a special restarting state and not actually down. If the session is not re-established within the reconnect time for GR then the session is considered to be down and the label withdrawal delay timer may be started for any FECs which meet the criteria for label withdrawal delay. If the session is re-established within the reconnect time for GR then the label withdrawal delay timer is not started.

Individual FECs may experience some transition as the label mappings from the peer are refreshed. For example, if a label mapping is not refreshed during the restart window, then that label mapping will be removed. This will affect the FEC, especially if it was associated with an installed downstream mapping. If an alternate route exists, the FEC will reconverge on the alternate route much earlier and again the label withdrawal delay timer is not started for the FEC

#### Restarting node

The GR restarting procedures are executed by a node which is starting the LDP process and has retained the forwarding state for LDP connections from an earlier instance of LDP. The restarting procedures are executed during a management module switchover. During the forwarding state hold period, connections in the forwarding state are marked stale until they are refreshed by an additional label mapping. Stale connections are removed after this period.

This scenario does not affect label withdrawal delay since it involves a complete restart of the LDP control plane. In other words, there are no FECs or sessions to apply the label withdrawal delay timer to at restart. Other procedures for label withdrawal delay as described above may occur in the same way during the forwarding state hold period.

### Label withdrawal delay and LDP-IGP synchronization

LDP-IGP synchronization aims to prevent traffic loss due to the introduction of a new link into the network. Appropriate label mappings for a FEC may not be available for some time after the route for the FEC has been established on the new link.



When LDP-IGP synchronization is enabled, the IGP metric for the new link is temporarily advertised at a maximum value to force traffic to use an alternate route, if one is available. After all label mappings are received on the link, the IGP metric is adjusted on the link to the normal value and route updates may occur as the cost of the link has been reduced.

When both label withdrawal delay and LDP-IGP synchronization are enabled, the label withdrawal delay timer will not be started if there are alternate routes for the FEC. For example, the following sequence of events is possible:

1. A FEC has an installed downstream mapping over link 1.
2. Link 2 is introduced to the network. The IGP metric for link 2 is advertised at maximum value so there is no route update for any FEC with an already established route.
3. Label mappings are received from the new peer and a new retained downstream mapping is established for the FEC.
4. When all label mappings for the session on link 2 have been received, the IGP metric is adjusted to the normal value. By default, LDP-IGP sync hold down time is disabled and IGP will wait until LDP gives an "in-sync" indication for the link before advertising it with the normal metric. If LDP-IGP sync hold-down time is enabled and label mappings are not received from the new peer within the configured sync hold-down time period, then the label withdrawal delay timer will start for the FEC. In this case, it is the time at which the label withdrawal delay timer starts that is affected: instead of starting almost immediately after the new link becomes operational, it is delayed by the time configured to allow for LDP-IGP synchronization.
5. This may result in a route change at the FEC. The FEC may install the downstream mapping associated with link 2 and transition the downstream mapping associated with link 1 to retained.

## LDP ECMP for transit LSR

---

### NOTE

LDP ECMP for transit LSR is supported only on Brocade NetIron XMR and Brocade MLX series devices.

---

LDP Equal-Cost Multi-Path (ECMP) for transit LSR provides ECMP support for transit routers on an LDP LSP. The LDP LSP tunnel at ingress continues to be a single ECMP path.

ECMP programming for LDP transit LSP creates a set of ECMP paths on the forwarding plane at any transit router. LDP LSPs transit traffic is load balanced using programmed ECMP. The number of ECMP paths that are used depends on the number of eligible paths that are available, and the maximum number of LDP ECMP paths configured by the user. The number of available paths sent to LDP are controlled by the Routing Table Manager (RTM) which is limited by IP load sharing. LDP also enables its own load sharing limit. The lesser of the two load sharing limits form the maximum number of ECMP paths that can be programmed on forwarding plane. For more information on configuring the maximum number of LDP ECMP paths, refer to ["Changing the maximum number of LDP ECMP paths"](#).

When new ECMP paths are added, or existing paths are deleted from a set of eligible ECMP paths, MPLS forwarding decides when these changes lead to a different set of paths to be used for LDP LSP, ingress tunnel, or transit LSP. When a different set of paths are used, updates are sent to the forwarding plane. MPLS only sends an update to the forwarding plane when there is a change to

the set of programmed paths. MPLS always sends the complete set of ECMP paths to the forwarding plane. When the user changes the load sharing configuration, updates are also sent to the forwarding plane. FEC updates are only generated when the new load sharing value is different from the set of ECMP paths programmed in the forwarding plane.

---

**NOTE**

LDP ECMP is not supported at the ingress router.

---

The ingress LDP LSP can be different from the transit LSP for the same FEC. When all ECMP paths provided by the RTM are using LDP tunneling enabled for RSVP shortcut LSP(s), then the ingress LDP tunnel is not created.

---

**NOTE**

MP switchover event may not be handled properly by MPLS/RSVP module. This may result in inconsistent state for RSVP LSPs/Sessions. This could be fixed by adding support for RSVP Hello feature.

---

### Changing the maximum number of LDP ECMP paths

To change the maximum number of LDP ECMP paths, enter the following commands under the router MPLS mode.

```
Brocade(config-mpls)# ldp
Brocade(config-mpls-ldp)# load-sharing 4
```

Syntax: `load-sharing num`

The *num* variable specifies the maximum number of LDP ECMP paths. Enter a number from one to eight. The default value is 1. To return to the default maximum number of LDP ECMP paths, use the [no] form of the command.

The load sharing configuration is displayed in the output of the `show mpls ldp` command.

---

**NOTE**

The configuration for load sharing is displayed only when the configured value is different from the default value.

---

```
Brocade# show mpls ldp
Label Distribution Protocol version 1
LSR ID: 10.125.125.1, using Loopback 1 (deleting it stops LDP)
Hello interval: Link 5 sec, Targeted 15 sec
Hold time value sent in Hellos: Link 15 sec, Targeted 45 sec
Keepalive interval: 6 sec, Hold time multiple: 6 intervals
load-sharing 4
```

Syntax: `show mpls ldp`

The load sharing configuration can also be displayed in the output of the `show mpls config` command, as shown in the following example.

```

Brocade# show mpls config
router mpls
  policy
    no propagate-ttl
  ldp
    load-sharing 4

```

Syntax: show mpls config

## MPLS OAM support for LDP ECMP

MPLS OAM support for traceroute at any transit router returns the list of labels used at that transit router. However, traceroute is not able to exercise all ECMP paths. The forwarding plane selects one ECMP path to forward OAM packets. All traversed labels that were returned at each transit router are displayed at the Brocade router originating the traceroute.

## Display changes to commands for LDP ECMP

The output from the show mpls forwarding command has been updated to display all ECMP paths programmed in the forwarding plane.

---

### NOTE

The In-lbl field does not display a value for ingress LDP LSP.

---

```

Brocade# show mpls forwarding
Total number of MPLS forwarding entries: 7
  Dest-prefix      In-lbl  In-intf  Out-lbl  Out-intf  Sig  Next-hop
1 10.21.21.21/32           3      e2/3     L 10.80.80.1
2 10.21.21.21/32 1026     3      e2/3     L 10.80.80.1
3 10.11.11.11/32          1028   ve4      L 10.90.90.25
4 10.11.11.11/32 1029     1028   ve4      L 10.90.90.25
5 10.11.11.11/32 1029     3      tnn11    L 10.11.11.11
6 10.11.11.11/32 1029     3      tnn12    L 10.11.11.11
7 10.11.11.11/32 1029     3      tnn13    L 10.11.11.11

```

Syntax: show mpls forwarding

The output from the show mpls ldp fec prefix command has been updated to display all available ECMP mappings on outgoing interfaces, and their corresponding next hops. When the outgoing interface is an RSVP tunnel, the RSVP LSP name is displayed as the outgoing interface in the out\_if field. The following example displays multiple next hops created in LDP from ECMP.

## 2 LDP ECMP for transit LSR

```
Brocade# show mpls ldp fec prefix 10.11.11.11
FEC_CB: 0x362eee00, idx: 14, type: 2, pend_notif: None
State: current, Ingr: Yes, Egr: No, UM Dist. done: Yes
Prefix: 10.11.11.11/32
next_hop: 10.90.90.25, out_if: ve4
next_hop: 10.11.11.11, out_if: tunnelto12_3
next_hop: 10.11.11.11, out_if: tunnelto12
next_hop: 10.11.11.11, out_if: tunnelto12_2

Downstream mappings:
Local LDP ID      Peer LDP ID      Label      State      CB
10.128.128.28:0  10.11.11.11:0    3          Installed  0x34db96c4(-1)
10.128.128.28:0  10.125.125.1:0   1028       Installed  0x34db9e64(-1)

Upstream mappings:
Local LDP ID      Peer LDP ID      Label      CB
10.128.128.28:0  10.11.11.11:0    1029       0x34db98ac(-1)
10.128.128.28:0  10.21.21.21:0    1029       0x34db97b8(-1)
```

Syntax: show mpls ldp fec prefix *IPaddress*

The output from the show mpls ldp path command displays all available ECMP paths for a specified FEC. When LDP selects an RSVP tunnel as its outgoing interface, the RSVP tunnel name is displayed in the ingress interface (intf) field.

The order of fields has changed in the show mpls ldp path command output. The Destination route field is displayed first, followed by the Upstr-session (label) field, and the Downstr-session (label,intf) field. The Upstr-session field and the Downstr-session field display an entry for an upstream session, and a downstream session when there is an entry to be displayed. When the outgoing interface is a tunnel, the ingress interface (intf) field displays the tunnel name instead of the LSP name, as shown in the following example.

```
Brocade# show mpls ldp path
Destination route Upstr-session(label) Downstr-session(label,intf)
10.11.11.11/24    10.11.11.11:0 (1029) 10.90.90.25:0 (1028 ve4)
                  10.21.21.21:0 (1029) 10.11.11.11:0 (3 tnnl1)
                  10.11.11.11:0 (3 tnnl2)
                  10.11.11.11:0 (3 tnnl3)
```

Syntax: show mpls ldp path

The show mpls statistics label command has been updated to display statistics for LDP ECMP paths. In the following example, packet count for all ECMP paths are collected.

```
Brocade(config-mpls)# show mpls statistics label 2/1
In-label      In-Port(s)      In-Packet Count
1024          e2/1 - e2/20    100
```

Syntax: show mpls statistics label

# LDP ECMP LER

## Glossary

**TABLE 43** Glossary

Term	Meaning
CAM	Hardware Routing Table
CAM2PRAM	Indirection pointer to PRAM table, also has no ECMP paths
ECMP	Equal Cost Multi Path
IPoMPLS	IPv4 (shortcuts) over MPLS tunnels
L3VPN	Layer-3 VPN routes
LER	Label Edge Router
PRAM	Next-hop information table
RTM	RTM module on MP

## Overview

The LDP ECMP LER feature provides the capability to create LDP tunnels with up to eight paths. These tunnels can be used by applications like IP over MPLS and L3VPN to transport IPv4 and IPv6 traffic. The traffic sent over the tunnel is load-balanced across all the paths based on a hashing algorithm. The algorithm takes into account the information from the packets such as MAC address, IP address, TCP and UDP ports.

## Configuration considerations

1. By default, LDP ECMP is disabled on an LER or LSR.
2. It is possible to configure LDP ECMP through the command line. The moment the configuration is done, for all tunnels for which the router is acting as ingress, changes are made to compute ECMP paths. The same command is already used to compute the ECMP paths for LSPs transiting the router (already existing functionality works without change). Information from RTM is used to get the set of equal cost paths.
3. The maximum number of paths used by LDP ECMP ingress is same as transit. The default is 1.
4. When MPLS OAM ping or traceroute is done on a LDP tunnel, MPLS echo request is sent out on the first path of the tunnel. Optionally, you can choose which path to send the request by specifying the next-hop IP address.
5. When LDP graceful restart is enabled and VPLS uses LDP tunnel for its transport, MPLS makes sure that the path used to carry VPLS traffic remains unchanged after MP failover and there is no traffic loss observed during the failover.
6. L2VPN application does not have support for LDP ECMP at LER. L2VPN can still use the LDP tunnel; however, all L2VPN traffic is sent out on a single path.
7. ECMP routes cannot have a combination of IP nexthops and MPLS nexthops.
8. Individual paths of a LDP ECMP tunnel can ONLY have outgoing interfaces of type physical, VE or LAG. LDP over GRE or LDP over RSVP ingress functionality is not supported.

9. Ingress tunnel accounting is supported for LDP ECMP tunnels. Statistics for LDP ECMP tunnel aggregate traffic from all the individual paths.
10. LDP ECMP LER tunnels cannot use GRE or RSVP tunnel interfaces.

### Interactions with other features

#### LDP ECMP tunnel accounting

The `show mpls statistics ldp tunnel` command is used to retrieve statistics for particular LDP tunnel. MPLS module on MP collects packet counts for all the paths in the ECMP from all line cards and adds them together before displaying the result to the user.

There is an existing configurable option `exclude-ethernet-overhead` available for tunnel ingress accounting which is used to exclude the Ethernet overhead bytes from the total byte statistics retrieved for an LDP tunnel. With ECMP paths for LDP tunnel, some paths can be over tagged interfaces and some can be over untagged interface. To keep consistency in the counting of overhead bytes, it is mandatory for the tunnel statistics be cleared after changing `exclude-ethernet-overhead` mode for ingress tunnel accounting. To enforce this, a confirmation message is added to the command to change the `exclude-ethernet-overhead` and the command now clears the counters automatically.

#### Sflow support for MPLS LER

Sflow sample for traffic sent over LDP tunnel includes the tunnel ID and not the tunnel's out segment information. Adding the support for LDP ECMP tunnel does not have any impact on Sflow sample.

## Commands

The following commands support the feature described in this chapter:

- `ping mpls ldp`
- `show mpls forwarding [p2p]`
- `show mpls ldp tunnel`
- `show mpls route`
- `system-max ecmp-pram-block-size dec`
- `traceroute mpls ldp`

## system-max ecmp-pram-block-size *dec*

A new option is introduced to the system-max command to control the max PRAM block allocation for ECMP routes. This setting affects the ECMP routes of type IPv4/IPv6/VPNv4/VPNv6. Using this command requires a system restart in order for the new setting to take effect.

Syntax	system-max [ecmp-pram-block-size <i>dec</i> ]				
Command default	None.				
Parameters	ecmp-pram-block-size  The ecmp-pram-block-size option displays the maximum PRAM allocation for ECMP (v4/v6/VPNv4/VPNv6) specified by the <i>dec</i> variable.				
Modes	Sub-configuration mode (config).				
Usage guidelines	Below are guidelines on the usage of this command. <ol style="list-style-type: none"> <li>1. The value set using system-max <i>ecmp-pram-block-size</i> command takes precedence and this is used as a limiting factor when programming ECMP nexthops (v4/v6/VPNv4/VPNv6).</li> <li>2. The default value of <i>ecmp-pram-block-size</i> is 32.</li> <li>3. Even though the control plane (through the IP load-sharing command) supports up to 32 nexthops per a route, the actual number of nexthops which are programmed in hardware is controlled by this command.</li> <li>4. When you configure the system-max <i>ecmp-pram-block-size</i> command to a value lesser than the value configured for IP load-sharing or IPv6 load-sharing, a warning message is displays and the value is accepted.</li> <li>5. Similarly, when you configure IP load-sharing or IPv6 load-sharing to a value greater than that configured for system-max <i>ecmp-pram-block-size</i> command, a warning message is displays to you and the value is accepted.</li> <li>6. This command is not applicable for CER/CES devices.</li> </ol>				
Example	Brocade(config)#system-max ecmp-pram-block-size ? DECIMAL Valid values 8, 16, 32 (default: 32)				
History	<table border="0"> <thead> <tr> <th style="text-align: left;">Release</th> <th style="text-align: left;">Command history</th> </tr> </thead> <tbody> <tr> <td>MultiService NetIron Release 05.500c</td> <td>This command was introduced.</td> </tr> </tbody> </table>	Release	Command history	MultiService NetIron Release 05.500c	This command was introduced.
Release	Command history				
MultiService NetIron Release 05.500c	This command was introduced.				
Related commands	system-max [config-file size <i>dec</i>   ifl-cam <i>dec</i>   ip-arp <i>dec</i>   ip-cache <i>dec</i>   ip-filter-sys <i>dec</i>   ip-route <i>dec</i>   ip-source-guard-cam <i>dec</i>   ip-subnet-port <i>dec</i>   ip-tunnels <i>dec</i>   ip-vrf <i>dec</i>   ip-vrf-route <i>dec</i>   ipv4-mcast-cam <i>dec</i>   ipv6-cache <i>dec</i>   ipv6-mcast-cam <i>dec</i>   ipv6-receive-cam <i>dec</i>   ipv6-route <i>dec</i>   ipv6-vrf-route <i>dec</i>   12-acl-table-entries <i>dec</i>   lsp-out-acl-cam <i>dec</i>   mac <i>dec</i>   mgmt-port-acl-size <i>dec</i>   openflow-flow-entries <i>dec</i>   openflow-pvlan-entries <i>dec</i>   openflow-unprotectedvlan-en <i>dec</i>   receive-cam <i>dec</i>   rstp <i>dec</i>   session-limit <i>dec</i>   spanning-tree <i>dec</i>   subnet-broadcast-acl-cam <i>dec</i>   trunk-num <i>dec</i>   trunk-num-100g <i>dec</i>   virtual-interface <i>dec</i>   vlan <i>dec</i>   vpls-mac <i>dec</i>   vpls-num <i>dec</i> ]				

## show mpls ldp tunnel

The output of the show mpls ldp tunnel command is updated to include all the paths in the LDP tunnel. The show mpls ldp tunnel command has a filter for the tunnel destination prefix, 'brief' and 'detail'. The tunnel destination prefix can be either IPv4 host address or IPv4 prefix with subnet mask. Output of the command with the path destination prefix filter displays a single tunnel entry for a specified tunnel destination IP prefix. The format of the command output for a tunnel destination filtered command is in detailed format.

**Syntax** show mpls ldp tunnel [A.B.C.D | brief | detail | out-interface]

**Parameters** A.B.C.D

The A.B.C.D option is the tunnel destination prefix.

**brief**

The brief option displays brief information.

**detail**

The detail option display detail information.

**out-interface**

The out-interface option displays the LDP tunnel going out of an interface.

**Command modes** Global configuration mode.

**Usage guidelines** Displays information about LDP-created LSPs for which this device is the ingress LER.

The brief version shows the list of outbound ports separated by spaces.

The detailed version (such as options other than *brief* under show mpls ldp tunnel) lists the ports, one in each line.

**Command output** The show mpls ldp tunnel *brief* command displays the following information.

Output field	Description
Number of LDP tunnels	Number of LDP tunnels
To	The egress LER for the LSP.
Oper State	Operational state of the LSP.
Tunnel Intf	The tunnel interface of the LSP.
Outbound Intf	The out-interface that corresponds to the next-hop configured.

The show mpls ldp tunnel *detail* command displays the following information.

Output field	Description
LDP Tunnel	Name of the tunnel.
Tunnel index	Tunnel index of the current tunnel.
metric	Metric value for the tunnel.



Output field	Description
status	The operational state of the LSP. This field indicates whether the LSP has been established through LDP signalling and is capable of having packets forwarded through it.
Outgoing interface	The outbound interface for the LSP. The outbound interface displays the egress interface of the tunnel. When applicable, the egress interface of the tunnel displays a VE interface specified by the <i>vid</i> variable.
Next-hop index	Index of the next hop used for this tunnel.
Outgoing interface	The outbound interface for the LSP. The outbound interface displays the egress interface of the tunnel. When applicable, the egress interface of the tunnel displays a VE interface specified by the <i>vid</i> variable.
Next-hop index	Index of the next hop used for this tunnel.

### Example Brief version

```
Brocade# show mpls ldp tunnel
Total number of LDP tunnels : 3
      Oper      Tunnel      Outbound
To      State     Intf       Intf
10.100.100.6  UP        tn10      e1/1
10.100.100.8  UP        tn13      e1/1 e1/4
10.100.100.7  UP        tn11      e1/4
```

```
Brocade#show mpls ldp tunnel 10.100.100.8
LDP tunnel tn13, to 10.100.100.8/32
Tunnel index: 3, metric: 0, status: UP
Outgoing interface: e1/1, Next-hop index: 0
Outgoing interface: e1/4, Next-hop index: 1
```

---

### NOTE

For trunk ports, the display is the *primary port name* (Trunk *id*) as shown in sample output above.

---

### Detailed version

```
Brocade# show mpls ldp tunnel 10.100.100.8
LDP tunnel tn13, to 10.100.100.8/32
Tunnel index: 3, metric: 0, status: UP
Outgoing interface: e1/1, Next-hop index: 0
Outgoing interface: e1/4, Next-hop index: 1
```

For the out-interface option, for an ECMP tunnel, the tunnel appears under all ECMP ports that it uses – note that the outbound interface column shows all ECMP outgoing interfaces as shown below.

```
Brocade# show mpls ldp tunnel out-interface e 1/1
Total LDP tunnels on interface: 2
      Oper      Tunnel      Outbound
To      State     Intf       Intf
10.100.100.6  UP        tn10      e1/1
10.100.100.8  UP        tn13      e1/1 e1/4
```

```
Brocade# show mpls ldp tunnel out-interface e 1/1 det
LDP tunnel tn10, to 10.100.100.6/32
Tunnel index: 0, metric: 0, status: UP
```

## 2 show mpls ldp tunnel

```
Outgoing interface: e1/1, Next-hop index: 0
LDP tunnel tn11, to 10.100.100.8/32
Tunnel index: 1, metric: 0, status: UP
Outgoing interface: e1/1, Next-hop index: 0
Outgoing interface: e1/4, Next-hop index: 1
```

---

**NOTE**

The next-hop index (exists currently in *Multi-Service NetIron Release 05.500*) refers to the NHT modules nexthop table index. It can be correlated through the show nht-table command output's 'Index' column value.

---

### History

Release	Command history
<i>MultiService NetIron Release 05.600</i>	The output of the show mpls ldp tunnel command is updated to include all the paths in the LDP tunnel.
<i>MultiService NetIron Release 05.500c</i>	The output of this command is updated to include all the paths in the LDP tunnel.

Related commands  
None.

## show mpls forwarding [p2p]

The show mpls forwarding [p2p] command option displays all P2P forwarding entries for the specified destination or a specified in-label value.

Syntax show mpls forwarding [p2p {A.B.C.D | in-label}]

Parameters p2p

The p2p option displays all P2P forwarding entries for the specified destination or a specified in-label value.

Modes Global configuration.

Usage guidelines The p2p option displays all P2P forwarding entries for the specified destination or a specified in-label value.

Command output The show mpls forwarding [p2p] command displays the following information.

Output field	Description
Dest-prefix	The destination FEC of the LSP.
In-lbl	The incoming segment or upstream label for the LSP. A value of zero indicates the absence of the segment.
Out-lbl	The outgoing segment or downstream label for the LSP.
Out-intf	The interface through which the label identified in the out-lbl column has been distributed for the LSP. The 'out-intf' field displays whether an interface/port is an Ethernet port, POS port, or a VE interface. The VE interface ID specified by the <i>vid</i> variable. The 'out-intf' display format for interface/port is as follows: <i>[e p] slot/port</i> "e" represents an Ethernet port "p" represents a POS port
Sig	The signal protocol type associated with the label. Possible values are: <ul style="list-style-type: none"> <li>• L - LDP</li> <li>• R - RSVP</li> </ul>
Next-hop	The next hop of the LSP.

## Example

```
Brocade# show mpls forwarding
R: RSVP, L: LDP, S: Static
Total number of MPLS forwarding entries: 17
```

	Dest-prefix	In-lbl	Out-lbl	Out-intf	Sig	Next-hop
1	10.13.13.13/32	2059	3	e1/1	R	10.24.24.13
2	10.12.12.12/32	-	3	e2/1	R	10.22.22.12
3	10.13.13.13/32	-	3	e1/1	L	10.24.24.13
4		2049	3	e1/1	L	10.24.24.13
5	10.12.12.12/32	-	3	e2/1	L	10.22.22.12
6		2050	3	e2/1	L	10.22.22.12
7		-	3	e2/2	L	10.92.92.12
8		2050	3	e2/2	L	10.92.92.12
9		-	3	e3/8	L	10.34.34.12
10		2050	3	e3/8	L	10.34.34.12

## 2 show mpls forwarding [p2p]

11	10.77.77.12/32	-	3	e2/1	L	10.22.22.12
12		2055	3	e2/1	L	10.22.22.12
13		-	3	e2/2	L	10.92.92.12
14		2055	3	e2/2	L	10.92.92.12
15		-	3	e3/8	L	10.34.34.12
16		2055	3	e3/8	L	10.34.34.12
17	10.13.13.13/32	2066	3	e1/1	R	10.24.24.13

### History

#### Release

*MultiService NetIron*  
*Release 05.600*

#### Command history

The p2p option displays all P2P forwarding entries for the specified destination or a specified in-label value.

Related  
commands

None.

## show mpls route

The MPLS routing table is used to store routes to egress LERs. To display the contents of the MPLS routing table, enter the show mpls route command.

Syntax show mpls route *A.B.C.D*

Parameters *A.B.C.D*

The *A.B.C.D* variable is the destination prefix.

Modes Global configuration.

Usage guidelines With LDP ECMP LER tunnels, the output for one tunnel could be greater than one line where each line shows one outgoing path – the repetitive lines do not have the ‘Destination’ and ‘Tnnl’ columns filled because they match what is in the first line.

## Command output

Output field	Description
Destination	The destination for the route. This can be either the address of the egress LER in an LSP, or a configured alias.
Gateway	The network mask for the route. When the destination address is the egress LER, the mask is 32 bits.
Tnnl	The address of the egress LER in the LSP. When the destination address is not a network alias, the gateway is the same as the destination address.
Port	The MPLS tunnel interface associated with the LSP. The ‘port’ field displays whether an interface/port is an Ethernet port, POS port, or a VE interface. The VE interface ID is specified by the <i>vid</i> variable. When applicable, the egress interface of the routing entry displays the VE interface. The ‘port’ display format for interface/port is as follows: <ul style="list-style-type: none"> <li>• [e p] <i>slot/port</i> <ul style="list-style-type: none"> <li>“e” represents an Ethernet port</li> <li>“p” represents a POS port</li> </ul> </li> </ul>
Cost	The metric for the LSP, set with the metric command in the LSPs configuration.
Label	The MPLS label received from the downstream router.
Sig	The MPLS label received from the downstream router.
Usage	The number of LSPs that are either currently using or configured to use the path. For example, when an LSP named ‘to_sqa’ has primary and secondary paths and both paths are configured to use the same MPLS path ‘path_to_sqa’, then the usage count for ‘path_to_sqa’ would be two (when no other LSP in the system is configured to use ‘path_to_sqa’).

## Example

```
Brocade# show mpls route
Total number of MPLS tunnel routes: 4
R:RSVP L:LDP S:Static O:Others
  Destination          Gateway          Tnnl    Port    Label  Sig  Cost  Use
1    10.12.12.12/32      10.12.12.12     tn11    e2/1    3      R    0     0
2    10.12.12.12/32      10.12.12.12     tn15    e2/1    3      L    0     0
                                10.12.12.12     e2/2    3      L    0     0
                                10.12.12.12     e3/8    3      L    0     0
```

## 2 show mpls route

3	10.13.13.13/32	10.13.13.13	tn14	e1/1	3	L	0	0
4	10.77.77.12/32	10.12.12.12	tn110	e2/1	3	L	0	0
		10.12.12.12		e2/2	3	L	0	0
		10.12.12.12		e3/8	3	L	0	0

### History

#### Release

*MultiService NetIron Release 05.500c*

#### Command history

With LDP ECMP LER tunnels, the output for one tunnel could be greater than one line where each line shows one outgoing path.

### Related commands

None.

## ping mpls ldp

The LDP LSP ping command, sends an MPLS echo request from the ingress to the egress LSR. A new option, `nexthop ipv4-address` has been added to the existing ping command.

Syntax	<code>ping mpls ldp ip-address   ip-address/mask-length[count 1-4294967294 [destination ip-addr] [detail][reply-mode no-reply   router-alert] [reply-tos 0-254][size bytes] [source ip addr] [timeout 50-300000 msec][nexthop ipv4 addr]</code>				
Command default	None.				
Parameters	<code>ping mpls ldp ip-address   ip-address/mask-length [nexthop ipv4 addr]</code> Specifies the optional value of next hop IPv4 address used to send the ping request.				
Modes	Global configuration.				
Usage guidelines	<p>The parameter <code>nexthop ipv4 addr</code> is optional for the ping command.</p> <p>This refers to the nexthop IPv4 address to send the OAM request to. When an address that does not match the outgoing path for the tunnel is given, the following error message appears as response:</p> <p><b>Ping fails: LDP next-hop does not exist.</b></p> <p>You can specify the optional value of next hop IPv4 address to be used to send the ping request. If there is no matching interface for the specified IPv4 address, the ping request fails.</p> <hr/> <p><b>NOTE</b></p> <p>Once an outgoing path is chosen to send the ping request, it is not changed. Disabling the path does not cause the ping packet to be sent over other ECMP paths. On disabling the path, ping operation stops since the path is down. This is the expected behavior.</p> <hr/>				
History	<table border="0"> <thead> <tr> <th style="text-align: left;">Release</th> <th style="text-align: left;">Command history</th> </tr> </thead> <tbody> <tr> <td><i>MultiService NetIron Release 05.500c</i></td> <td><code>nexthop ipv4-address</code> has been added to the existing ping command.</td> </tr> </tbody> </table>	Release	Command history	<i>MultiService NetIron Release 05.500c</i>	<code>nexthop ipv4-address</code> has been added to the existing ping command.
Release	Command history				
<i>MultiService NetIron Release 05.500c</i>	<code>nexthop ipv4-address</code> has been added to the existing ping command.				
Related commands	<code>mpls ldp ip-address   ip-address/mask-length[count 1-4294967294 [destination ip-addr] [detail][reply-mode no-reply   router-alert] [reply-tos 0-254][size bytes] [source ip addr] [timeout 50-300000 msec][nexthop ipv4 addr]</code>				

## traceroute mpls ldp

The LDP LSP traceroute command in the (enable) mode, sends an MPLS echo request from the ingress to the egress LSR.

**Syntax** `traceroute mpls ldp ip-address/mask-length [destination ip-address] [dsmmap] [min-ttl min-num] [max-ttl max-num] [reply-mode router-alert] [reply-tos num] [size bytes] [source ip-address] [timeout msec] [nexthop ipv4 address]`

**Parameters** `ip-address/mask-length`

The `ip-address/mask-length` variable specifies the LDP IPv4 destination prefix and mask length. If the mask-length is not specified, the default value is 32.

`destination ip-address`

The destination `ip-address` option specifies an IP address within the 127/8 subnet. The default address is 127.0.0.1

`dsmmap`

The `dsmmap` option enables the Downstream (DS) mapping TLV in the echo request for traceroute operation.

`min-ttl min-num`

The `min-ttl min-num` option specifies a minimum value in the `min-num` variable for the outermost label intraceroute operation. The default minimum TTL value is one. Acceptable values that can be configured are: 1 - 255.

`max-ttl max-num`

The `max-ttl max-num` option specifies a maximum value in the `max-num` variable for the outermost label in traceroute operation. The default maximum TTL value is 30. Acceptable values that can be configured are: 1 - 255.

`reply-mode router-alert`

The `reply-mode router-alert` option is used when the normal IP return path is unreliable. This option indicates that the reply should be sent as an IPv4 UDP packet with the Router Alert option. This option requires extra overhead processing at each LSR along the return path.

`reply-tos num`

The `reply-tos num` option specifies a TOS value between zero and 254 to be included in the Reply-TOS-byte TLV. This value is copied to the IP header TOS byte of the echo reply. By default, the reply-tos TLV is not included in the echo request.

---

**NOTE**

The last bit of the TOS byte is always zero.

---

`size bytes`

The `size bytes` option specifies that the size of the echo request including the label stack to be sent will be the value of the variable `bytes`. The pad TLV is used to fill the echo request message to the specified size. The minimum size is 92 bytes for an MPLS Echo request. The maximum size is the size of the LSP MTU.

`source ip-address`



The source *ip-address* option specifies the IP address of any interface. This address is used as the destination address for the echo reply address. The default address is the LSR ID.

timeout *msec*

The timeout *msec* option specifies an interval in milliseconds for the echo request message. The default timeout is five seconds. The maximum timeout value is five minutes.

nexthop *ipv4 address*

The nexthop specifies the nexthop IPv4 address to send the OAM request to.

Modes This command operates in all modes.

Usage guidelines You can specify the next hop IPv4 address used to send the traceroute request. If there is no matching interface for the specified IPv4 address, the traceroute request fails. When an address that does not match the outgoing path for the tunnel is given, following error message appears as response:

**Traceroute fails: LDP next-hop does not exist.**

This is also applicable to the ping mpls ldp command.

History

Release	Command history
Multi-Service NetIron Release 05.500c	nexthop <i>ipv4-address</i> has been added to the existing traceroute mpls ldp command.

Related commands None.

## Setting the LDP Hello Interval and Hold Timeout values

The LDP Hello interval and Hello Hold Timeout timers are used to establish Hello Adjacency between peers. The Hello Interval is the time period between which the LSR sends out Hello messages and the Hello Hold Timeout value is the amount of time that the sending LSR maintains its record of Hellos from the receiving LSR without receipt of another Hello message.

The Hello interval and Hello Hold Timeout timer values can be obtained from the global default values, configured globally on a router, or in the case of the Hello Hold Timeout timer configured per-interface. When configuring these values the following constraints must be followed:

- The Hello Interval value must be < 32767
- The Hello Hold Timeout value must be <65535
- The Hello Hold Timeout value must be  $\geq 2 * \text{Hello Interval value}$

As described in the following sections, values can be set that determine the values used on the configured router and values sent to adjacent peers for their configuration:

- Setting the LDP Hello Interval and Hold Timeout Values
- Setting the LDP Hold Time Sent to Adjacent LSRs
- Determining the LDP Hold Time on an MPLS Interface

### Setting the LDP Hello interval values

The LDP hello interval controls how often the device sends out LDP Hello messages. Hello messages are used to maintain LDP sessions between the device and its LDP peers. The user can set the interval for LDP Link Hello messages (LDP Hello messages multicast to all routers on the sub-net), as well as for LDP Targeted Hello messages (LDP Hello messages unicast to a specific address, such as a VLL peer):

- For targeted LDP sessions – the LDP Hello Interval can only be set globally. This configuration is described in [“Setting the LDP Hello Interval globally for targeted LDP sessions”](#). When a Hello Interval is not set for Targeted LDP sessions, then the global default value is used.
- For link LDP sessions – the LDP Hello Interval can be set globally which applies to all LDP interfaces or on a per-interface basis. The LDP Hello Interval values in Link LDP sessions are determined by the following procedure in the order described below.
  1. When the Hello Interval is set per-interface, that value is used. This configuration is described in [“Setting the LDP Hello Interval per-Interface \(link Only\)”](#).
  2. When the Hello Interval is not set per-interface, then the value set for LDPs globally is used. This configuration is described in [“Setting the LDP Hello Interval globally for link LDP sessions”](#).
  3. When the Hello Interval is not set either globally or per-interface, the global default value is used.

When a Hello Adjacency already exists, the adjacency remains up and any new configured interval takes effect upon the expiration of the current Hello Interval timer. Consequently, the next and subsequent hello messages are sent at the new interval.

### Setting the LDP Hello Interval globally

The user can set a global LDP Hello Interval that applies to all LDP sessions, regardless of interface. This is performed separately for Link and Targeted LDP sessions as described in the following sections:

- [Setting the LDP Hello Interval Globally for Link LDP Sessions](#)
- [Setting the LDP Hello Interval Globally for Targeted LDP Sessions](#)

Setting the LDP Hello Interval globally for link LDP sessions

To set the interval for LDP Link Hello messages to 10 seconds, enter the following command.

```
Brocade(config-mpls)# ldp
Brocade(config-mpls-ldp)# hello-interval 10
```

Syntax: [no] hello-interval *seconds*

The *seconds* variable specifies the value in seconds of the Hello Interval that the user is globally configuring for LDP Link Hello messages. The LDP hello interval can be from 1 – 32767 seconds. The default value for LDP Link Hello messages is five seconds.

The value set here can be overridden on a per-interface basis as described in [“Setting the LDP Hello Interval per-Interface \(link Only\)”](#).

The no option removes a previously configured LDP Link Hello Interval.

### Setting the LDP Hello Interval globally for targeted LDP sessions

To modify the hello message interval for targeted LDP sessions to 20 seconds, enter the `hello-interval target` command.

```
Brocade(config-mpls)# ldp
Brocade(config-mpls-ldp)# hello-interval target 20
```

Syntax: `[no] hello-interval target seconds`

The `seconds` variable specifies the value in seconds of the hello interval that the user is globally configuring for LDP Targeted messages. The LDP hello interval can be from 1 – 32767 seconds. When the user sets a new LDP hello interval, it takes effect immediately. The default value for LDP Targeted Hello messages is 15 seconds.

The `[no]` option removes a previously configured LDP Targeted Hello Interval.

---

**NOTE**

This value can only be set globally for all Targeted LDP sessions on the router. Per-interface configuration is only available for Link LDP sessions.

---

### Setting the LDP Hello Interval per-Interface (link Only)

The user can set the LDP Hello Interval on a per-Interface basis. This option is only available for Link LDP sessions. The following example configures the MPLS Interface at Ethernet port 1/1 with a hello-interval of 10 seconds.

```
Brocade(config)# mpls
Brocade(config-mpls)# mpls-interface ethernet 1/1
Brocade(config-mpls-if-e100-1/1)# ldp-params
Brocade(config-mpls-if-e100-1/1-ldp-params)# hello interval 10
```

Syntax: `[no] hello-interval seconds`

The `seconds` variable specifies the value in seconds of the Hello Interval that the user is configuring on this MPLS interface for LDP Link Hello messages.

No default value exists for this parameter. When a value is set here, it overrides any LDP Hello Interval that was globally configured. However, when no value is set for this parameter, it defaults either to the LDP Hello Interval that was configured globally or, when no value was configured globally, to the default global value. For information about the global configuration, refer to [“Setting the LDP Hello Interval globally for link LDP sessions”](#).

The `[no]` option removes a previously configured LDP Hello Interval.

### Setting the LDP hold time sent to adjacent LSRs

The LDP hold time specifies how long the device waits for its LDP peers to send a Hello message. When the device does not receive a Hello message within this time, the LDP session with the peer can be terminated. The device includes the hold time in the Hello messages it sends out to its LDP peers.

## 2 Setting the LDP Hello Interval and Hold Timeout values

The LDP Hold Time sent in Hello messages to adjacent LSRs can be configured globally for either Link or Targeted LDP sessions, as described in the following sections:

- Setting the LDP Hello Hold Time Sent to Adjacent LSRs for Link LDP Sessions
- Setting the LDP Hello Hold Time Sent to Adjacent LSRs for Targeted LDP Sessions

### Setting the LDP Hello hold time sent to adjacent LSRs for link LDP sessions

To set the hold time included in LDP Link Hello messages to 20 seconds, enter the `hello-timeout` command.

```
Brocade(config-mpls)# ldp
Brocade(config-mpls-ldp)# hello-timeout 20
```

Syntax: `[no] hello-timeout seconds`

The `seconds` variable specifies the value in seconds of the LDP hello timeout that is sent in Hello messages to Link LDP peers. The range for this value is 1 – 65535 seconds. The default value is 15 seconds.

When the user globally sets a LDP hold time, the new time takes effect immediately and goes in the next Hello message sent. This hold time applies to only the hold time that the device sends to its peers; it does not affect the hold time the device uses to time out those peers. The latter is determined from the hold time that peers send to the device.

The `[no]` option removes a previously configured LDP Hello Timeout value and returns the value to the default.

### Setting the LDP Hello hold time sent to adjacent LSRs for Targeted LDP sessions

To set the hold time included in LDP Targeted Hello messages to 60 seconds, enter the following command.

```
Brocade(config-mpls)# ldp
Brocade(config-mpls-ldp)# hello-timeout target 60
```

Syntax: `[no] hello-timeout target seconds`

The `seconds` variable specifies the value in seconds of the LDP hello timeout that is sent in Hello messages to Targeted LDP peers. The LDP hold time can be from 1 – 65535 seconds. The default value is 45 seconds.

The `[no]` option removes the previous LDP Hello Timeout Target value and returns the value to the default.

## Determining the LDP Hold Time on an MPLS interface

An MPLS interface uses the LDP Hello Hold Time to determine how long it waits for its LDP peers to send a Hello message. How this determination is made differs for a targeted LDP session and a link LDP session, as follows:

- For targeted LDP sessions – The value received in Hello messages from its peers determines the time that the device waits for its LDP peers to send a Hello message. When the Timeout value received from a peer is zero, the Hold Time is set to the default period of 45 seconds.
- For link LDP sessions – In this case, the wait time is determined by any one of the below criteria.
  1. When the Hello Hold Time is set per-interface, that value is used. That value is set as described in [“Setting the LDP Hello Holdtime per-interface \(link only\)”](#).
  2. When the Hello Hold Time is not set per-interface, the hold time in the received message is used.
  3. When the Hello Hold Time in the received message is zero (0), the default value of 15 seconds is used.

### Setting the LDP Hello Holdtime per-interface (link only)

The user can set the LDP Hello Holdtime on a per-interface basis. This holdtime value is sent in Hello messages from the interface. This option is available for Link LDP sessions only. The following example configuration is for the MPLS Interface at Ethernet port 1/3 with a hello-timeout of 18 seconds.

```
Brocade(config)# mpls
Brocade(config-mpls)# mpls-interface ethernet 1/3
Brocade(config-mpls-if-e100-1/3)# ldp-params
Brocade(config-mpls-if-e100-1/3-ldp-params)# hello-timeout 18
```

Syntax: [no] hello-timeout *seconds*

The value configured in the *seconds* variable is the LDP Hello Timeout value that are sent in LDP Hello messages from this interface. The minimum value that can be configured for this variable is 2 \* the value set for the Hello Interval.

The [no] option removes a previously configured LDP Hello Timeout value and sets the value as described in [“Determining the LDP Hold Time on an MPLS interface”](#).

## LDP message authentication

The Multi-Service IronWare software supports LDP authentication based upon the TCP MD5 signature option specified in RFC 2385. This RFC defines a new TCP option for carrying an MD5 digest in a TCP segment. The purpose of this feature is to protect against spoofed TCP segments in a connection stream.

### Configuring LDP message authentication

Brocade devices allow configuration of an authentication key on a per LDP session basis. The LDP session can be to an adjacent peer (basic discovery) or to the targeted peer (extended discovery). This feature must be configured on both sides of an LDP peer link. To configure LDP message authentication use the following commands.

## 2 Resetting LDP neighbors

```
Brocade(config)# mpls
Brocade(config-mpls)# ldp
Brocade(config-mpls-ldp)# session 10.10.10.3 key early
```

Syntax: [no] session *remote-ip-addr* key *string*

The *remote-ip-addr* variable specifies the IP address of the LDP peer that authentication is being configured for.

The *string* variable specifies a text string of up to 80 characters used for authentication between LDP peers. It must be configured on both peers.

By default, key is encrypted. When the user wants the authentication key to be in clear text, insert a 0 between key and *string*.

### Example

```
Brocade(config-mpls-ldp)# session 10.10.10.3 key 0 early
```

The software adds a prefix to the key string in the configuration. For example, the following portion of the code has the encrypted code “2”.

```
session 10.1.1.1 key 2 $XkBTb24tb0RuXA==
```

The encrypted code can be one of the following:

- 0 = the key string is not encrypted and is in clear text
- 1 = the key string uses proprietary simple cryptographic 2-way algorithm (only for Brocade NetIron CES devices)
- 2 = the key string uses proprietary base64 cryptographic 2-way algorithm (only for Brocade NetIron XMR and Brocade MLX series devices)

## Resetting LDP neighbors

The user can terminate and re-establish an MPLS LDP neighbor session when at least one LDP “hello” adjacency exists with the peer. When the LDP session terminates, the database associated with the LDP session is also cleared. When the session re-establishes, the session-specific information is re-learned from its peer:

- LDP downstream and upstream label database (show mpls ldp database ...)
- LDP label switched path (show mpls ldp path ...)
- LDP peer (show mpls ldp peer ...)
- LDP created MPLS tunnels (show mpls ldp tunnel ...)
- LDP FECs learned from the resetting neighbor sessions (show mpls ldp fec ...). FECs are not cleared immediately but are marked that no LDP session exists.

To reset or clear an MPLS LDP neighbor session, enter the clear mpls ldp neighbor command.

Syntax: clear mpls ldp neighbor [all | *peer-ip-addr* [*label-space-id label-space*]]

When the all option is specified, all LDP sessions on the Brocade device is reset, including the targeted LDP sessions.

An LDP session is uniquely referred to by *peer-ip-addr: label-space*. This command also allows the user to input *peer-ip-addr* only and ignore *label-space*. In this case, all LDP sessions with the matching peer address is reset.

Executing this command displays a warning message when the LDP session is not found corresponding to the supplied *peer-ip-addr* (and *label-space*). When an LDP session is not in operational state, resetting it has no impact.

## Resetting LDP neighbor considerations

The clear mpls ldp neighbor feature terminates the specified LDP sessions. The LDP sessions are automatically reestablished when at least one “hello” adjacency exists with the neighbor, and LDP configuration remains unchanged. This command allows a user to reset the following LDP sessions:

- Platform-wide label space
- Interface specific label space

When an LDP session is terminated as a result of the clear mpls ldp neighbor command, the Brocade device does not generate any notification message for the neighbor. Instead, the device unilaterally terminates the session and close the associated TCP session. The other end of the LDP session detects this reset operation in either of the following two ways:

- TCP session is broken (half connected). The device detects this while receiving or sending LDP messages on TCP socket fails (with fatal error), indicating that underlying TCP session is aborted by remote peer.
- Receives a new TCP connection request from the neighbor while the older session is still operational (when this is in the passive role).

---

### NOTE

Either of the above events trigger the remote end of the LDP session to tear down the session and try to reestablish. Resetting an LDP session impacts the associated VPLS/VLL sessions. Resetting an LDP session which is not in an operational state has no impact.

---

### Validating LDP session reset

The user can check the following LDP session specific parameters to validate that a session has been successfully reset:

- The LDP session state transitions from “Operational” to “Nonexistent” upon clearing it. It may quickly transition from “Nonexistent” to “Operational.” In that case, the show mpls ldp session [detail | A.B.C.D] shows the “Up time”, and that must have been reset to zero upon clearing the session.
- The LDP session specific database (mentioned above) is cleaned upon resetting the LDP session
- The TCP port number (on the active end of the LDP session) may have been changed once the LDP session comes up after reset. In other words, the TCP port number before the reset and after the reset may be different. Use the command show mpls ldp session [detail | A.B.C.D] to view the TCP port number.

## 2 MPLS LDP-IGP synchronization

- Syslog logs the event of a LDP session going down and then coming back up, as a result of resetting the LDP session. Use the command `show log` to view the syslog events.

Following is an example of how to use the `show log` command to view the syslog.

```
Brocade# show log
Syslog logging: enabled (0 messages dropped, 0 flushes, 0 overruns)
  Buffer logging: level ACDMEINW, 33 messages logged
  level code: A=alert C=critical D=debugging M=emergency E=error
              I=informational N=notification W=warning

Dynamic Log Buffer (50 lines):
Sep  9 18:38:20:N:MPLS: LDP entity session 10.1.1.1:0 with peer 10.2.2.2:0 is up
Sep  9 18:38:02:N:MPLS: LDP entity session 10.1.1.1:0 with peer 10.2.2.2:0 is down
```

The following command shows two LDP sessions with neighbor 10.234.123.64.

```
Brocade# show mpls ldp session
Peer LDP ID          State           Adj Used  My Role  Max Hold  Time Left
10.234.123.64        Operational     Link      Passive  36         33
```

The following command clears both the link and targeted LDP session with neighbor 10.234.123.64, because the `label_space` optional parameter has not been specified.

```
Brocade# clear mpls ldp neighbor 10.234.123.64
Brocade#
Brocade# show mpls ldp session
Peer LDP ID          State           My Role  Max Hold  Time Left
10.234.123.64        Operational     Passive  36         33
Brocade#
```

This command shows that after waiting for roughly 20 seconds (depends on the hello/keepalive timer periodicity), both the LDP sessions are reestablished.

```
Brocade# clear mpls ldp neighbor 10.234.123.64
Peer LDP ID          State           My Role  Max Hold  Time Left
10.234.123.64        Operational     Passive  36         33
```

The user can also validate the `clear mpls ldp neighbor` command using the `syslog` command.

```
Brocade# show log
Syslog logging: enabled (0 messages dropped, 0 flushes, 0 overruns)
  Buffer logging: level ACDMEINW, 47 messages logged
  level code: A=alert C=critical D=debugging M=emergency E=error
              I=informational N=notification W=warning

Dynamic Log Buffer (50 lines):
Sep  9 19:23:24:N:MPLS:LDP entity session 10.2.2.2:0 with peer 10.234.123.64 is up
Sep  9 19:23:08:N:MPLS:LDP entity session 10.2.2.2:10 with peer 10.234.123.64 is down
Sep  9 19:23:08:N:MPLS:LDP entity session 10.2.2.2:0 with peer 10.234.123.64 is down
```

## MPLS LDP-IGP synchronization

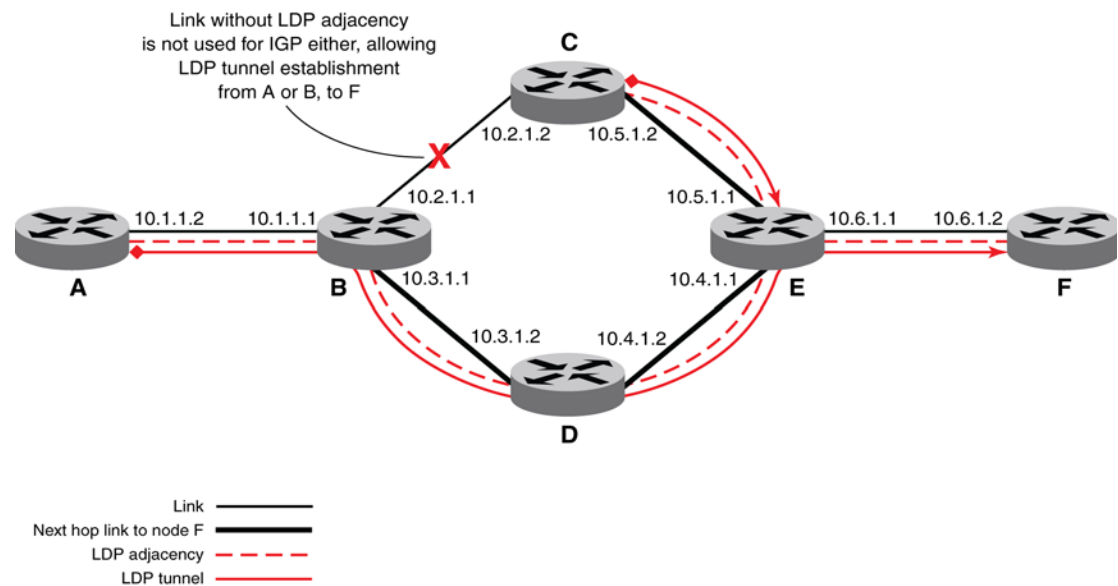
Packet loss can occur because the actions of the IGP and LDP are not synchronized.



The MPLS LDP-IGP synchronization feature provides the following benefits:

- Provides a means to synchronize LDP and IGP to minimize MPLS packet loss.
- MPLS LDP-IGP synchronization may be enabled per interface, or globally
- OSPF and IS-IS are supported for the IGP; each operates independently
- LDP determines convergence (receipt of all labels) for a link through one of two methods.
  - Receive Label silence mechanism
  - End Of Lib mechanism (RFC 5919)
- Provides a means to disable LDP-IGP synchronization on interfaces that the user does not want enabled.
- Enables the user to globally enable LDP-IGP synchronization on each interface associated with an IGP Open Shortest Path First (OSPF) or IS-IS process.

**FIGURE 46 Example with LDP IGP synchronization**



To enable LDP-IGP synchronization on each interface that belongs to an OSPF or IS-IS process, enter the `ldp-sync` command. When the user does not want all of the interfaces to have LDP-IGP synchronization enabled, issue the `no ldp-sync` command on the specific interfaces.

To specify how long an IGP must wait for LDP synchronization to be achieved, enter the `ldp-sync holddown` command in the global configuration mode. When the LDP peer is not reachable, the IGP establishes the adjacency to enable the LDP session to be established.

When an IGP adjacency is established on a link but LDP-IGP Synchronization is not yet achieved or is lost, the IGP advertises the max-metric on that link.

## Configuration considerations

- Supports only point-to-point interfaces but not tunnel interfaces.
- On IS-IS, wide metric-style is required.

- When enabled on IS-IS, the feature applies to both level-1 and level-2 metrics.
- Affects IPv4 metrics only.

### Configuring MPLS LDP-IGP Synchronization

This section contains the following tasks:

- Configuring MPLS LDP-IGP Synchronization with OSPF Interfaces (required)
- Selectively Disabling MPLS LDP-IGP Synchronization from Some OSPF Interfaces (optional)
- Verifying MPLS LDP-IGP Synchronization with OSPF (optional)
- Configuring MPLS LDP-IGP Synchronization with IS-IS Interfaces (required)
- Selectively Disabling MPLS LDP-IGP Synchronization from Some IS-IS Interfaces (optional)
- Verifying MPLS LDP-IGP Synchronization with IS-IS (optional)

### Configuring MPLS LDP-IGP synchronization globally

MPLS LDP-IGP synchronization is disabled by default. To globally enable MPLS LDP-IGP synchronization with IS-IS, enter the following commands.

```
Brocade(config)# router isis
Brocade(config-isis-router)# address-family ipv4 unicast
Brocade(config-isis-router-router-ipv4u)# metric-style wide
Brocade(config-isis-router-router-ipv4u)# ldp-sync
Brocade(config-isis-router-router-ipv4u)# exit
Brocade(config-isis-router)#
```

MPLS LDP-IGP synchronization is disabled by default. To globally enable MPLS LDP-IGP synchronization with OSPF, enter the following commands.

```
Brocade(conf)# router ospf
Brocade(conf-ospf-router)# ldp-sync
Brocade(conf-ospf-router)#
```

Syntax: [no] ldp-sync

### Setting the LDP IGP sync hold down time

The ldp-sync hold-down command sets the LDP-IGP sync hold down time. The hold down time (in router OSPF and the router IS-IS modes) is the interval which the IGP must advertise the maximum IP metric, while waiting for an update from LDP.

The hold down interval starts whenever the IGP initially is enabled with LDP-IGP sync. It is also started whenever LDP updates the IGP with an update indicating the interface status, from LDP's perspective, is not-in-sync. When the hold down time expires, the IGP resumes advertising the normal metric for the link.

When hold down time is configured (from no hold down time), the router starts the hold-down-timer on every interface that is not-in-sync at the time.

When hold down time is un-configured, the router stops the hold-down-timer on every interface that has hold-down-timer running at the time as if there is no hold down time configured. As a result, these interfaces have infinite hold down time. For those not-in-sync interfaces with hold-down time already expired, IGP continues to advertise Normal metric.

By default, hold-down time is disabled. IGP waits until LDP gives an In Sync indication for the link before it advertised the normal metric.

By default, ldp-sync hold-down is disabled. To enable the ldp-sync hold-down timer with IS-IS, enter the following commands.

```
Brocade(conf)# router isis
Brocade(config-isis-router)# address-family ipv4 unicast
Brocade(config-isis-router-router-ipv4u)# metric-style wide
Brocade(config-isis-router-router-ipv4u)# ldp-sync
Brocade(config-isis-router-router-ipv4u)# ldp-sync hold-down 100
```

By default, ldp-sync hold-down is disabled. To enable the ldp-sync hold-down timer with OSPF, enter the following commands.

```
Brocade(conf)# router ospf
Brocade(conf-ospf-router)# ldp-sync
Brocade(conf-ospf-router)# ldp-sync hold-down 100
```

Syntax: ldp-sync hold-down *seconds*

The *seconds* parameter range is 1 to 65535 seconds.

## Enabling LDP sync on an interface

Use the `isis ldp-sync` command under the `conf-if-e-1/1` policy to enable the LDP sync feature on a specific IS-IS interface. This overrides the global setting from the MPLS LDP-sync feature. By default, the `isis ldp-sync` is not enabled individually on an interface.

```
Brocade(conf)# interface e 1/1
Brocade(config-if-e-1/1)# ip router isis
Brocade(config-if-e-1/1)# isis ldp-sync enable
```

Syntax: `isis ldp-sync [enable | disable]`

Use the `ip ospf ldp-sync` command under the `conf-if-e-1/1` policy to enable the LDP sync feature individually on an OSPF interface. By default, the `ip ospf ldp-sync` is not enabled individually on an OSPF interface.

```
Brocade(conf)# interface e 1/1
Brocade(config-if-e-1/1)# ip ospf area 0.0.0.0
Brocade(config-if-e-1/1)# ip ospf ldp-sync enable
```

Syntax: `ip ospf ldp-sync [enable | disable]`

## Setting the receive label silence timer

When labels are not received from the peer for a short period of time, the session is declared 'In Sync'. When a label is received from a peer, then the 'receive label silence timer' is reset.

Use the `rx-label-silence-time` command under `config-mpls-ldp` policy to define the length of the receive label silence timer.

```
Brocade(conf)# router mpls
Brocade(config-mpls)# ldp
Brocade(config-mpls-ldp)# rx-label-silence-time 30000
```

Syntax: `rx-label-silence-time value`

The *value* parameter specifies the length of time of the receive label silence timer in milliseconds. Possible values are from 100 to 60000 milliseconds. The default value is 1000.

## Enabling the end-of-lib submode

Configure the end-of-lib submode under LDP to contain all the attributes of the end of lib capability and notification.

```
Brocade(conf)# router mpls
Brocade(conf-router-mpls)# ldp
Brocade(conf-router-mpls-ldp)# end-of-lib
Brocade(conf-router-mpls-ldp-eol)#
```

## Enabling the end-of-lib submode

Enabling the end-of-lib submode determines whether the two RFCs 5561 and 5919 are enabled by the LSR. The user can turn this feature off either by;

- Removing the end-of-lib submode
- Issuing the `disable` command under the end-of-lib submode.

```
Brocade(conf)# router mpls
Brocade(conf-router-mpls)# ldp
Brocade(conf-router-mpls-ldp)# end-of-lib
Brocade(conf-router-mpls-ldp-eol)# disable
```

Syntax: `[no] end-of-lib`

The `[no]` form of "disable" enables the feature.

## Setting the EOL notification timer

Use the EOL notification timer command under the `conf-router-mpls-ldp-eol` policy to set the length of the EOL notification timer. This command is LDP global.

```
Brocade(conf)# router mpls
Brocade(conf-router-mpls)# ldp
Brocade(conf-router-mpls-ldp)# end-of-lib
```

```
Brocade(conf-router-mpls-ldp-eol)# notification-timer <value>
```

Syntax: EOL notification timer *value*

The *value* parameter specifies the length of the EOL notification timer in milliseconds. Possible values are from 100 to 120000 milliseconds. The default value is 60000.

## Setting the EOL transmit label silence timer

Use the tx-label-silence-timer command under conf-router-mpls-ldp-eol policy to sets the length of the EOL transmit label silence timer. This command is LDP global.

```
Brocade(conf)# router mpls
Brocade(conf-router-mpls)# ldp
Brocade(conf-router-mpls-ldp)# end-of-lib
Brocade(conf-router-mpls-ldp-eol)# tx-label-silence-timer 2000
```

Syntax: tx-label-silence-timer *value*

The *value* parameter specifies the length of the EOL transmit label silence timer in milliseconds. Possible values are from 100 to 60000 milliseconds. The default value is 1000.

## Displaying LDP IGP synchronization information

Use the show isis config | show ip ospf config commands under config-isis-router | config-ospf config policies to show the new configuration parameters for LDP-IGP sync:

- enable/disable for LDP-IGP sync
- Hold down time

Use the show isis configuration command to displaying IS-IS LDP IGP synchronization information.

```
Brocade(config-isis-router)# show isis config
router isis
 net 11.0010.0100.1002.00
 log adjacency
 address-family ipv4 unicast
 ldp-sync
 metric-style wide
 ldp-sync
 ldp-sync hold-down 300
 redistribute connected level-1
 redistribute static
 exit-address-family

 address-family ipv6 unicast
 ldp-sync
 multi-topology transition
 exit-address-family

end
```

Syntax: show isis configuration

Use the show ip ospf command to displaying IS-IS LDP IGP synchronization information.

```

Brocade# show ip ospf
OSPF Version                Version 2
Router Id                   10.1.1.2
ASBR Status                 No
ABR Status                  No          (0)
Redistribute Ext Routes from
Initial SPF schedule delay  0          (msecs)
Minimum hold time for SPF's 0          (msecs)
Maximum hold time for SPF's 0          (msecs)
External LSA Counter       0
External LSA Checksum Sum  00000000
Originate New LSA Counter  9
Rx New LSA Counter         6
External LSA Limit         174762
Database Overflow Interval  0
Database Overflow State :  NOT OVERFLOWED
RFC 1583 Compatibility :   Enabled
Slow neighbor Flap-Action : Disabled,   timer 300
Nonstop Routing:           Disabled
Graceful Restart:         Disabled,   timer 120
Graceful Restart Helper:   Enabled
LDP-SYNC: Globally enabled, Hold-down time 66 sec
Interfaces with LDP-SYNC enabled:
    eth 1/3 eth 1/4
  
```

Syntax: show ip ospf configuration

### Displaying LDP IGP synchronization interface information

Use the show isis inter | show ip ospf inter under the config-if-e10000-1/3 policy to show:

- The enable or disable state for the LDP-IGP sync
- The time remaining in the hold down, when the hold-down is specified. Otherwise, it displays “-1”.
- The currently advertised IP metric
- The normal IP metric

```

Brocade(config-if-e10000-1/3)# show isis interface
Total number of IS-IS Interfaces: 5

Interface: eth 1/1
  Circuit State: UP Circuit Mode: LEVEL-1-2
  Circuit Type: BCAST Passive State: FALSE
  Circuit Number: 3, MTU: 1500
  Level-1 Auth-mode: None
  Level-2 Auth-mode: None
  Level-1 Metric: 10, Level-1 Priority: 64
  Level-1 Hello Interval: 10 Level-1 Hello Multiplier: 3
  Level-1 Designated IS: R2-03 Level-1 DIS Changes: 2
  
```

```

Level-2 Metric: 10, Level-2 Priority: 64
Level-2 Hello Interval: 10 Level-2 Hello Multiplier: 3
Level-2 Designated IS: R2-03 Level-2 DIS Changes: 2
Next IS-IS LAN Level-1 Hello in 7 seconds
Next IS-IS LAN Level-2 Hello in 3 seconds
Number of active Level-1 adjacencies: 0
Number of active Level-2 adjacencies: 0
Circuit State Changes: 1 Circuit Adjacencies State Changes: 0
Rejected Adjacencies: 0
Circuit Authentication L1 failures: 0
Circuit Authentication L2 failures: 0
Bad LSPs: 0
Control Messages Sent: 40 Control Messages Received: 0
Hello Padding: Enabled
IP Enabled: TRUE
IP Addresses:
    10.30.30.2/28
IPv6 Enabled: FALSE
MPLS TE Enabled: FALSE
LDP-SYNC: Disabled, State:

```

Syntax: show [isis|ip ospf] interface

#### Displaying the show mpls ldp configuration

Use the show mpls ldp command to view the extended parameters.

```

Label Distribution Protocol version 1
LSR ID: 10.1.7.1, using Loopback 1 (deleting it stops LDP)
Hello interval: Link 5 sec, Targeted 15 sec
Hold time value sent in Hellos: Link 15 sec, Targeted 45 sec
Keepalive interval: 6 sec, Hold time multiple: 6 intervals
Load sharing: 8
Tunnel metric: 0
FEC used for auto discovered peers: current 129, configured 129
Graceful restart: enabled
    Reconnect time: 120 seconds, Max peer reconnect time: 120 seconds
    Recovery time: 120 seconds, Max peer recovery time: 120 seconds
    Forwarding state holding timer: not running
End of lib: Enabled, Notification time: 120000 ms, Tx label silence time: 5000ms
End of lib: Disabled, Recieve Label Silence Time: 5000ms

```

Syntax: show mpls ldp

Use the show mpls ldp session command to view LDP-IGP sync information. When the timers are running the remaining time appears (no refresh) as well as the static value of the timer.

```

Brocade# show mpls ldp session 10.7.7.2 0
Peer LDP ID: 10.7.7.2:0, Local LDP ID: 10.1.7.1:0, State: Operational
Adj: Link, Role: Passive, Next keepalive: 1 sec, Hold time left: 31 sec
Keepalive interval: 6 sec, Max hold time: 36 sec
Up time: 16 min 46 sec
Neighboring interfaces: e2/2
TCP connection: 10.1.7.1:646--10.7.7.2:9004, State: ESTABLISHED
Next-hop addresses received from the peer:
    10.1.1.14 10.1.2.14 10.3.4.5 10.7.7.2

```

```
Graceful restart: enabled
  Peer reconnect time(msec): 120000, peer recovery time(msec): 0
  State: not started
IGP Sync:
  Unrecognized Notification Capability: Local: On, Remote: On
  Local State: In-sync, RemoteState: In-sync
  EOL notification time: 60000 ms, Timer not running
  EOL transmit label silence time: 1000 ms, Timer not running
```

Syntax: `show mpls ldp session value`

Use the `show mpls ldp interface` command to view whether or not LDP-IGP sync is enabled on the interface.

```
Brocade# show mpls ldp int e2/16
e2/16, label-space ID: 0
  Nbr count: 1
  Hello interval: 5 sec, next hello: 2 sec
  Hello timeout: 15 sec
  Current IGP Sync state: In Sync
```

Syntax: `show mpls ldp int value`

Use the `show mpls interface` command to view the current cached LDP-IGP sync state.

```
Brocade# show mpls int e2/2
Admin: Up Oper: Up
Maximum BW: 0 kbps, maximum reservable BW: 0 kbps
Admin group: 0x00000000
Reservable BW [priority] kbps:
  [0] 0 [1] 0 [2] 0 [3] 0
  [4] 0 [5] 0 [6] 0 [7] 0
Last sent reservable BW [priority] kbps:
  [0] 0 [1] 0 [2] 0 [3] 0
  [4] 0 [5] 0 [6] 0 [7] 0
LDP tunnel count: 0
Current IGP Sync State: not-in-sync
```

Syntax: `show mpls int value`

## LDP Graceful Restart (GR)

This section describes the functionality of the LDP Graceful Restart feature based on RFC 3478 (Graceful Restart Mechanism for Label Distribution Protocol).

LDP Graceful Restart (GR) helps minimize MPLS traffic loss when an LDP component is restarting in a router that is capable of preserving its MPLS forwarding states across restart. LDP GR works between a router and its neighbor and its capability must be advertised when sending an LDP Initialization message.

An LDP restart triggered by MP failover due to a fault of the active MP or user-commanded switchover is the only scenario where the MPLS forwarding state is preserved.



The router can also support LDP GR in helper-only mode. In this mode, a router does not preserve its forwarding entries on a LDP GR restart, however, it can help a neighboring router recover its forwarding entries when the neighbor is going through restart.

A NetIron router implementing LDP GR can play one of the two roles:

- A restarting LSR: An LSR that performs LDP restart. A standby MP must be up on a Brocade MLX series or Brocade NetIron XMR router acting as a restarting LSR for LDP GR to work.
- A GR helper (helper-only mode): An LSR whose neighbor is restarting its LDP component.

---

**NOTE**

Brocade MLX series or Brocade NetIron XMR routers can play either role in an LDP GR procedure. Brocade NetIron CES and Brocade NetIron CER routers support only the helper-only mode.

---

When LDP GR is enabled on a router, the configuration does not apply to the current sessions. The LDP GR configuration is applied for the new sessions brought up after the configuration is added.

## MPLS failover support for VPLS

VPLS can preserve its forwarding state across MP failover. Therefore, VPLS using LDP tunnels as its transport mechanism benefits from the LDP GR support. LDP GR recovers both the LDP tunnel labels and the VC labels for VPLS. This is supported for all local switching traffic as well as traffic switched between VPLS peers as long as the peer uses LDP tunnels and that LDP GR is configured.

---

**NOTE**

When MCT is configured for the VPLS instance involved then VPLS preserving its forwarding state between the VPLS peers is not guaranteed.

---

## LDP failover support for transit

LDP GR preserves the LDP transit cross-connects. Therefore, it minimizes the traffic loss of any application that uses an LDP tunnel as its transport mechanism from the transit LSR perspective.

## Graceful restart procedure

The following section describes the restart procedures of an LSR and a GR helper LSR.

### Procedure for the restarting LSR

After an LSR restarts its LDP components, when its MPLS forwarding state is not preserved (as in the case of the Brocade NetIron CES and Brocade NetIron CER routers and routers in helper-only mode), it sends out the FT TLV with Recovery Time set to 0 in the LDP Initialization message to its neighbor.

When the MPLS forwarding state has been preserved across the restart, the LSR does the following:

1. Start the Forwarding State Holding timer.
2. Mark all the MPLS forwarding entries as “stale”.
3. Set the Recovery Time to the current value of the Forwarding State Holding timer when it sends out LDP Initialization message to its neighbor.

When the timer is not expired the LSR uses the labels and next-hop information received from the neighbor to lookup and clear the stale flag for the corresponding label-FEC entries. When the timer is expired, all the entries that are still marked as “stale” are deleted and the LDP GR procedure is completed.

### Procedure for the GR helper LSR

When the LSR detects that its LDP session with a neighbor went down and the neighbor is capable of preserving its forwarding state, the LSR does the following:

1. Retain the label-FEC bindings received by way of the session and mark them as “stale”.
2. Start the Reconnect timer with the timeout value set to the lesser of the peer FT Reconnect Timeout and the locally configured maximum Reconnect timeout.
3. Attempt to re-establish LDP session with the neighbor using the normal LDP procedure.

All the stale label-FEC bindings are deleted when either condition is true:

- The Reconnect timer has expired and the LDP session to the neighbor is not established.
- LSR receives FT TLV in the Initialization message from the neighbor and the FT Recovery Time is set to 0.

After the session is re-established, the LDP GR helper resends Label Mappings to its neighbor. For the stale label-FEC bindings received from the neighbor, they are recovered during the recovery period which is set to the lesser of the peer Recovery Timeout and the locally configured maximum recovery time. If the stale entries are not recovered after the Recovery Timer has expired, they are deleted.

### Session down detection on GR helper

A LDP GR enabled router goes into helper-only mode (GR helper) when any of the following events occur on the router’s neighbors.

- MP failover occurs
- HLOS upgrade occurs
- Remove and re-add of the MPLS configuration
- TCP communication broken (such as, session KeepAlive timer expires)
- UDP communication broken (i.e. adjacency goes down)
- Restarting LDP component by disabling and enabling the loopback
- Restarting a LDP session by issuing the clear mpls ldp neighbor command

In helper-only mode, the LDP GR procedure works at the session level. Any of the above events causes the helper to detect session down and start the GR procedure. The operation of the GR helper is the same independent of what has happened on the restarting LSR that triggers the GR procedure.

## Graceful restart scenarios

### Re-advertise label to its upstream neighbors

When the restarting router, acting as a transit LSR, can recover a FEC based on the Label Mapping it receives from its GR helper, and the local forwarding state successfully, it re-advertises the same label to all of its upstream neighbors.

As part of supporting GR, the Label Management component also makes sure that those labels that are used to advertise to upstream neighbors before GR happens is not re-used for the new LSP coming up while GR is in-progress. However, when the previously used label is released because the LSP has gone down during GR, the label can be re-allocated for the new LSP.

### Clearing mpls ldp neighbors

For clear mpls ldp neighbor, the configured reconnect and recovery timer values is sent to the peer when both are configured with LDP graceful restart. Note that in this scenario, both routers are acting in helper-only mode. Therefore, after the session comes back up, both routers exchange their bindings and go through the recovery procedure. There is no traffic loss when the reconnect and the recovery timers do not time out.

On a Brocade NetIron CES or Brocade NetIron CER or an Brocade MLX series or Brocade NetIron XMR configured for helper-only mode, clearing mpls ldp neighbor results in immediate reconnect timeout at the remote end. Therefore, in this scenario all bindings at the remote end associated with the session are deleted due to reconnect time out. On the local node the recovery timer of 0 results in immediate clearing of the forwarding entries.

## Ingress LSR specific processing

VPLS supports failover and must preserve its forwarding state when the LDP tunnel is used to carry VPLS traffic until the GR has finished. LDP GR attempts to recover both the tunnel labels and the VC labels. In the case where a VC label cannot be recovered, the corresponding PW is brought down after GR has finished. In the case where the LDP tunnel cannot be recovered, all the PWs using the LDP tunnel is brought down due to tunnel down event.

### VPLS auto-discovery

BGP GR does not support the L2VPN address family type. Therefore, BGP-based auto-discovery peer is not preserved across MP failover, even though BGP GR is enabled. As a result, LDP GR preserves the VC label associated with a VPLS auto-discovery peer only when the peer is relearned during the LDP GR recovery.

### Other applications

On ingress LSR, LDP tunnels are preserved as part of LDP GR (helper-only mode excluded), this does not benefit non-L2VPN applications (i.e. IPoMPLS, L3VPN, PBR, etc) that do not support MP failover. There is no coordination between MPLS and those applications attempting to preserve its CAM entries. Whether its corresponding CAM entries are deleted and re-added or updated is not guaranteed by LDP GR support.

## Transit LSR specific processing

For those LDP cross-connects that can be recovered as part of LDP GR, there is no traffic loss for those application using those tunnels if and only if the GR helper (example: downstream neighbor) re-advertises the same label and upstream neighbor also support LDP GR procedure as well.

### LDP ECMP (transit only)

The ability to preserve the LDP ECMP transit cross-connects depends on the route information received from RTM during the recovery phase. In the case where the number of ECMP provided by RTM for a route is larger than the LDP load-sharing configuration (for example, the IP load-sharing configuration is larger than LDP load-sharing configuration), the paths are preserved as long as the route provided by RTM, before recovery time expires, contains the installed paths.

### LDP over RSVP (transit only)

RSVP GR is not supported. Therefore, when an RSVP tunnel goes down due to MP failover, LDP cross-connects using the RSVP tunnel is not preserved as part of LDP GR support.

### LDP over GRE (transit only)

LDP GR treats GRE tunnel interfaces as regular physical interfaces. When the GRE tunnel interface up indications and route using the GRE tunnels are received before the GR recovery timer expired, LDP over GRE tunnel cross-connects is preserved.

## Graceful Restart helper-only mode

A router that is configured as GR helper-only indicates to its peers that forwarding state is not preserved by sending an initialization message with the Reconnect time and the Recovery Time set to 0 in FT session TLV.

## Configuring LDP graceful restart (GR)

By default LDP GR is disabled. It can be enabled globally under the LDP configuration. When LDP GR is enabled, the Brocade NetIron CES and Brocade NetIron CER routers are in helper mode only. The Brocade MLX series and Brocade NetIron XMR routers can act either as a restarting router or a GR helper.

With LDP GR enabled, the router waits until it receives an LDP Initialization message from its neighbor to know whether it must delete its states or start the LDP GR recovery procedure. When LDP GR is enabled, it is applicable to all LDP sessions regardless of the adjacency type exists between the neighbors.

```
Brocade(config)# router mpls
Brocade(config-mpls)# ldp
Brocade(config-mpls-ldp)# graceful-restart reconnect-time 150
Brocade(config-mpls-ldp)# graceful-restart recovery-time 240
```

Syntax: [no] graceful-restart [helper-only] [reconnect-time *seconds*] [max-neighbor-reconnect-time *seconds*] [recovery-time *seconds*] [max-neighbor-recovery-time *seconds*]

The helper-only option specifies that the LSR acts as a helper-only. In helper mode, the configuration commands for reconnect-time and recovery-time is rejected with informational messages. The [no] form of the commands removes the LDP GR helper mode and revert back to full LDP GR mode.

The reconnect-time *seconds* option is the amount of time a GR neighbor must wait for the LDP session to be reestablished. This is advertised to the neighbor using the FT Reconnect Timeout field in the FT Session TLV. The default setting is 120 seconds. The available range is 60 to 300 seconds. The [no] form of the command reverts the configured value back to the default value.

The max-neighbor-reconnect-time *seconds* option is the maximum time this router must wait for a GR neighbor to restore the LDP session. The default setting is 120 seconds. The available range is 60 to 300 seconds. The [no] form of the command reverts the configured value back to the default value.

The recovery-time *seconds* option is the amount of time this router retains its MPLS forwarding state across restart. This is advertised to the neighbor using the Recovery Time field in the FT Session TLV. The default setting is 120 seconds. The available range is 60 to 3600 seconds. The no form of the command reverts the configured value back to the default value.

The max-neighbor-recovery-time *seconds* option is the maximum amount of time this router waits for a GR neighbor to complete its GR recovery after the LDP session has been reestablished. The default setting is 120 seconds. The available range is 60 to 3600 seconds. The no form of the command reverts the configured value back to the default value.

Recovery-time must be chosen accordingly taking into account the time it takes for RTM to re-compute the routes and the number of L3 FECs that need to be recovered as part of the LDP GR recovery. This is applicable to GR processing on ingress as well as transit LSRs.

---

**NOTE**

The reconnect-time and recovery-time commands are not available for Brocade NetIron CES and Brocade NetIron CER routers.

---

## LDP GR configuration examples

The following commands only take effect on newly created sessions. For existing sessions, it is required that the sessions be restarted for the new configuration to take effect.

### Using default timeout values

Use the graceful-restart command to enable LDP GR and use the default timeout values:

```
Brocade(config-mpls-ldp)# graceful-restart
```

### Configuring LDP GR timers

Use the following commands to set LDP GR timers before enabling LDP GR.

```
Brocade(config-mpls-ldp)# graceful-restart reconnect-time 150
Brocade(config-mpls-ldp)# graceful-restart recovery-time 240
Brocade(config-mpls-ldp)# graceful-restart
```

### Configuring LDP GR helper mode

Use the graceful-restart helper-only command to configure LDP GR helper mode.

```
Brocade(config-mpls-ldp)# graceful-restart helper-only
```

## LDP Session keepalive timeout configurations

After an LDP session is established, an LSR maintains the integrity of the session by sending Keepalive messages. The Keepalive timer for each peer session resets whenever it receives any LDP protocol message or a Keepalive message on that session. When the Keepalive timer expires, LDP concludes that the TCP connection is bad or the peer is dead and terminates the session.

### Setting the keepalive timeout

Use the `ka-timeout` command to set the keepalive interval or the time interval at which the session keepalive message is sent when no other LDP protocol message is sent to the LDP peer.

To configure the keepalive timeout or change the timeout value, the user must be in the LDP mode within the MPLS configuration mode. A warning is displayed whenever the `ka-timeout` value is changed as shown below.

```
Brocade(config)# router mpls
Brocade(config-mpls)# ldp
Brocade(config-mpls-ldp)# ka-timeout 180
    "Please clear LDP sessions for the new KA parameter value to take effect on
    existing sessions"
```

Syntax: `[no] ka-timeout value`

The *value* parameter specifies the time after which the session is terminated when no keepalive or LDP protocol message is received. Possible values 1 to 65535 seconds.

### Setting the keepalive intervals

Use `ka-int-count` command to configure the number of `ka-intervals` after which the session is terminated when no session keepalive or other LDP protocol message is received from the LDP peer. In the following example, `ka-int-count` is configured when `ka-timeout` is configured.

```
Brocade(config)# router mpls
Brocade(config-mpls)# ldp
Brocade(config-mpls-ldp)#ka-timeout 180
    "Please clear LDP sessions for the new KA parameter value to take effect on
    existing sessions"
Brocade(config-mpls-ldp)# ka-int-count 10
Brocade(config-mpls-ldp)#
```

Syntax: `[no] ka-timeout value`

The *value* parameter specifies the time interval at which the session keepalive message is sent when no other LDP protocol message is sent to the LDP peer, Possible values 1 to 65535 seconds.

The `ka-interval` and `ka-timeout` configuration is mutually exclusive. The user may have only one configuration at a time. The user must explicitly remove the configuration for one in order to change to the other configuration.

```

Brocade(config-mpls-ldp)# ka-interval 11
Warning : LDP Session keepalive time changed. Clear sessions for the new value to
take effect on existing sessions
Brocade(config-mpls-ldp)# ka-timeout 40
Error : Please unconfigure ka-interval before configuring the ka-timeout !
Brocade(config-mpls-ldp)#
Brocade(config-mpls-ldp)# no ka-interval 11
Warning : LDP Session keepalive time changed. Clear sessions for the new value to
take effect on existing sessions
Brocade(config-mpls-ldp)#
Brocade(config-mpls-ldp)# ka-timeout 40
Warning : LDP Session keepalive time changed. Clear sessions for the new value to
take effect on existing sessions

```

## Show commands

Use the show mpls ldp command to display the ka-timeout value. When the ka-timeout value is configured, ka-interval displays as ka-timeout divided by ka-int-count (ka-timeout/ka-int-count).

When ka-interval is configured, then ka-timeout value displays as product ka-interval \* ka-int-count.

In this example, the ka-timeout set to 30.

```

Brocade # show mpls ldp
Label Distribution Protocol version 1
  LSR ID: 10.122.122.122, using Loopback 1 (deleting it stops LDP)
  Hello interval: Link 5 sec, Targeted 15 sec
  Hold time value sent in Hellos: Link 15 sec, Targeted 45 sec
  Keepalive interval: 10 sec, Hold time multiple: 3 intervals
  Keepalive timeout: 30 sec
  Tunnel metric: 0
  FEC used for auto discovered peers: current 129, configured 129
  Graceful restart: disabled
    Reconnect time: 0 seconds, Max peer reconnect time: 120 seconds
    Recovery time: 0 seconds, Max peer recovery time: 120 seconds
  Forwarding state holding timer: not running

```

The Keepalive timeout value shown below displays the value that is used in negotiation during the LDP session setup. Actual value for the LDP session depends on the result of the negotiation. In this example, the ka-interval set to 10 and ka-int-count set to 10:

```

Brocade # show mpls ldp
Label Distribution Protocol version 1
  LSR ID: 10.122.122.122, using Loopback 1 (deleting it stops LDP)
  Hello interval: Link 5 sec, Targeted 15 sec
  Hold time value sent in Hellos: Link 15 sec, Targeted 45 sec
  Keepalive interval: 10 sec, Hold time multiple: 10 intervals
  Keepalive timeout: 100 sec
  Tunnel metric: 0
  FEC used for auto discovered peers: current 129, configured 129
  Graceful restart: disabled
    Reconnect time: 0 seconds, Max peer reconnect time: 120 seconds
    Recovery time: 0 seconds, Max peer recovery time: 120 seconds
  Forwarding state holding timer: not running

```

## Configurable LDP router ID overview

LDP protocol uses LDP messages to communicate between LDP peers for correct functioning of LDP protocol. All LDP messages contains a LDP header which is composed of LDP version, length of message, LDP ID, followed by message. The LDP ID for LDP protocol is composed of LSR-ID and label space. A valid IP address is selected as an LSR-ID field.

Through NetIron Release 05.400, NetIron products select the first valid and operationally UP IP address among all the enabled loopback interfaces as LSR-ID for LDP protocol. When IP address or loopback interface which is used as LSR-ID goes down, LDP protocol selects the next operationally UP IP address among all enabled loopback interface as LSR-ID else LDP protocol will be down.

Using this feature users are able to specify an IP address of their choice to used as LSR-ID for LDP protocol.

### Background

NetIron Release 05.400 LDP protocol selects the first operationally UP and valid IP address among all the enabled loopback interfaces as the LSR-ID. When user delete this IP address from a loopback interface, or disables a loopback interface on which IP address is configured, or deletes the loopback interface on which IP address is configured, the LDP is disabled. It then selects the next valid and operationally UP IP address among all the enabled loopback interfaces as LSR-ID and enables LDP protocol.

When there is no valid IP address available to be selected as LSR-ID, the LDP protocol continues to remain disabled until a valid IP address is configured on an enabled loopback interface.

**FIGURE 47 LDP Header format**

Version	PDU Length
LDP Identifier	

- LDP identifier: LSR-ID: label space
- LSR-ID: First available loopback interface (current behavior)

### Release NetIron R05.5.00 LDP LSR-ID requirements

Configurable LDP LSR-ID allows user to configure an IP address of their choice as an LSR-ID for LDP protocol.

Once user configure the feature with a valid IP address, LDP protocol must use the feature's configured value as the LSR-ID. In order to compel LDP protocol to use the new value as the LSR-ID, LDP protocol restarts.



The LDP protocol uses the new IP address specified by feature as LSR-ID only when this IP address is configured on one of the enabled loopback interfaces. When this IP address is not configured in enabled state on any of the loopback interface, LDP protocol will continue in the disabled state. LDP protocol will be enabled as soon as this IP address is configured on one of the enabled loopback interfaces.

When you decide to disable the feature, the LSR-ID selection procedure falls back to default behavior of selecting an LSR-ID for LDP protocol when LDP protocol is enabled, which is same as the behavior of NetIron Release 05.400 products.

## Customer configuration scenarios

NetIron Release 05.500 behavior of the feature is illustrated in different scenarios. When “feature” is mentioned, it means “configurable LDP LSR-ID” feature and its configuration.

4.
  - a) Precondition: LDP protocol has default configuration.
  - b) Action: Feature is enabled with an IP address.
  - c) Post condition: When the LDP protocol is already using the same IP address specified by the feature as LSR-ID for LDP protocol, LDP continues to work without restarting LDP protocol. This is because LDP protocol is already using the LSR-ID user intend to configure for LDP protocol.

When LDP protocol is using another value as LSR-ID, LDP protocol restarts. During restart, the LSR-ID selected for LDP protocol is the same IP address as set by the feature. In cases where the feature configured value is not present on any of the enabled loopback interfaces, LDP protocol continues in the disabled state.
5.
  - a) Precondition: LDP protocol is disabled & feature is configured.
  - b) Action: Feature configured IP address is configured on one of enabled loopback interface, such as when user configures IP address to be used as LSR-ID as on one of the loopback interface.
  - c) Post condition: LDP protocol is enabled with LSR-ID as configured for the feature.
6.
  - a) Precondition: LDP protocol is enabled and feature is configured.
  - b) Action: IP address same as LSR-ID is deleted from loopback interface OR loopback interface containing IP address configured by feature is disabled, or deleted.
  - c) Post condition: LDP protocol is disabled and continues to remain in that state until the feature configured IP address is reconfigured on one of the enabled loopback interfaces.
7.
  - a) Precondition: LDP protocol is enabled and the feature is configured.
  - b) Action: The feature configuration is changed to another address.
8.
  - a) Precondition: LDP protocol is enabled and the feature is configured.
  - b) Action: The feature is disabled.
  - c) Post condition: The LDP protocol will continue to function without restart but features functionality will be disabled. Please make a note that LSR-ID selection process will fall back to default behavior when attempt is made to restart LDP protocol. Since no attempt is made to restart LDP protocol, the LSR-ID for LDP protocol will continue to remain UP at the time of disabling the feature. The reason for this behavior is to minimize the number of restart for LDP protocol.

9.
  - a) Precondition: LDP protocol is disabled and the feature is configured.
  - b) Action: The feature is disabled.
  - c) Post condition: An attempt is made to restart the LDP protocol. Because the attempt is made after disabling the feature, LSR-ID is selected with the default behavior and the LDP protocol is enabled.

### Limitations

- You can not configure value 0.0.0.0. If you try to configure the feature with this value, the feature rejects the configuration.
- You can only configure IPv4 addresses.

### Upgrade and downgrade considerations

LDP protocol selects the first operationally UP IP address among the loopback interfaces as LSR-ID for LDP protocol. Once you enable the configurable LDP LSR-ID using valid IP address, LSR-ID selection process changes.

When user decides to disable the feature, the LSR-ID selection process falls back to its default behavior, which is the current behavior of the NetIron products.

## LDP over RSVP (for transit LSR only)

LDP over RSVP (for transit LSR only) enables LDP traffic to tunnel across RSVP tunnels. The RSVP tunnel is the transit of the LDP tunnel. On Brocade NetIron XMR and Brocade MLX series devices, LDP over RSVP can run over all types of LSPs (for example, one-to-one or facility Fast ReRoute (FRR) LSPs, adaptive LSPs, or redundant LSPs).

---

#### NOTE

LDP over RSVP configuration (for transit LSR only) is supported on all Brocade devices. LDP over facility FRR LSPs is not supported on Brocade NetIron CES and Brocade NetIron CER devices.

---

LDP over RSVP is supported for all cases except when a Brocade device acts as a Label Edge Router (LER) for both LDP and RSVP. On the transit for LDP, the RSVP tunnel (RSVP LSP with LDP tunneling enabled) is used to reach the next-hop. The RSVP tunnel is treated as a single hop, and thus external LDP FECs are not advertised to the LSRs which are part of the RSVP core.

LDP depends on the Routing Table Manager (RTM) to provide the best next-hop for a particular prefix when LDP decides which label (received from its downstream peers) must be installed. This does not change for LDP over RSVP configuration. For LDP to install a label received from a non-directly connected peer whose route is through an RSVP tunnel, LDP must receive the corresponding route from the RTM indicating that the RSVP tunnel is used to reach the next-hop.

LDP over RSVP is supported under the following conditions:

- The RTM provides MPLS with a shortcut route for a particular prefix
- The shortcut route must be an IS-IS, OSPF, or BGP shortcut

- The RSVP tunnel must be enabled for LDP tunneling. For more information on enabling LDP tunneling, refer to [“Enabling LDP over RSVP”](#).

---

**NOTE**

When an RSVP tunnel is created on ingress LSR with IS-IS or OSPF shortcuts enabled, and LDP tunneling is also enabled, then the LDP tunnel to the egress router of the RSVP tunnel is not formed. An LDP tunnel is not created at the ingress LSR when RTM selects the RSVP tunnel as the next-hop to the destination.

---

When a targeted session is used for LDP over RSVP, prefix FECs are advertised to its targeted peer, and prefix FEC received from a targeted peer is installed.

A targeted LDP session is brought up when any one of the following configurations exist:

- A targeted peer address is set up on the egress router of an RSVP tunnel. For more information on configuring a targeted peer address, refer to [“Configuring a targeted peer address”](#).
- The user enables RSVP LSP with LDP tunneling configured. For more information on configuring LDP tunneling, refer to [“Enabling LDP over RSVP”](#).
- A Layer 2 VPN (VLL or VPLS) peer is configured.

## Enabling LDP over RSVP

To enable LDP traffic to tunnel across an RSVP tunnel, first create an LSP, then enable LDP tunneling on the LSP as shown in the following example.

```
Brocade(config)# router mpls
Brocade(config-mpls)# lsp blue
Brocade(config-mpls-lsp-blue)# to 10.20.20.20
Brocade(config-mpls-lsp-blue)# ldp-tunneling
```

The following message appears on the CLI.

This LSP can be used for LDP tunneling if it is used as a shortcut.

This message implies that when an RSVP tunnel is used as an IS-IS or OSPF shortcut, then the shortcut must be explicitly configured.

---

**NOTE**

There is no configuration needed for BGP shortcut.

---

To enable IS-IS shortcuts or OSPF shortcuts, enter the shortcuts isis command, or the shortcuts ospf command as shown in the following example.

```
Brocade(config-mpls-lsp-blue)# shortcuts isis level2
Brocade(config-mpls-lsp-blue)# enable
Connecting signaled LSP blue
```

Syntax: [no] ldp-tunneling

Syntax: [no] shortcuts isis level1 | level 2

Syntax: [no] shortcuts ospf

By default, LDP tunneling is disabled. The user must disable the LSP configuration to change the setting on the `ldp-tunneling` command.

---

**NOTE**

The `ldp-tunneling` command is not available under bypass LSP configuration.

---

To disable IS-IS shortcuts or OSPF shortcuts, enter the `[no]` form of the command.

The `level1` or `level2` keyword is required and indicates the level of IS-IS routing enabled on the device. The levels are:

- `level1` – A level1 router routes traffic only within the area that includes the router. To forward traffic to another area, a level1 router sends the traffic to the nearest level2 router.
- `level2` – A level2 router routes traffic between areas within a domain.

The LDP tunneling configuration is displayed in the output of the `show mpls lsp` command. When LDP tunneling is enabled, the line reads “yes.” When it is not enabled, the line reads “no.”

```
Brocade(config-mpls)# show mpls lsp blue
LSP blue, to 10.20.20.20
  From: 10.10.10.10, admin: UP, status: DOWN (Path not sent)
  Times primary LSP goes up since enabled: 0
  Metric: 0, number of installed aliases: 0
  Maximum retries: 0, no. of retries: 1
  Pri. path: NONE, up: no, active: no
  Setup priority: 7, hold priority: 0
  Max rate: 0 kbps, mean rate: 0 kbps, max burst: 0 bytes
  Constraint-based routing enabled: yes
  Tie breaking: random, hop limit: 0
  LDP tunneling enabled: yes
```

Syntax: `show mpls lsp lsp_name`

The `lsp_name` variable specifies the LSP name the user wants to display.

The LDP tunneling configuration is also displayed in the output of the `show mpls config` command, and the `show mpls config lsp` command. In the following example, LDP tunneling with IS-IS shortcuts is enabled.

```
Brocade(config-mpls)# show mpls config lsp blue
lsp blue
  to 10.20.20.20
  shortcuts isis level2
  ldp-tunneling
  enable
```

Syntax: `show mpls config lsp lsp_name`

The `lsp_name` variable specifies the LSP name the user wants to display.

The output from the `show mpls config` command displays a list of configured peer addresses as shown in the following example.

```

Brocade# show mpls config
router mpls
  policy
    traffic-eng isis level-2
    ingress-tunnel-accounting
  ldp
    label-withdrawal-delay 30
    session 10.7.7.2 key 2 $LSFVPW9iIQ==
    session 10.7.7.3 key 2 $LSFVPW9iIQ==

  bfd
    min-tx 50 min-rx 50 multiplier 3
mpls-interface e3/3
  ldp-enable
  admin-group 2

mpls-interface e3/17
  rsvp-authentication 2 key $LSFVPW9iIQ==

```

Syntax: show mpls config

## Configuring a targeted peer address

A Brocade device does not send a targeted Hello message in response to receiving a targeted Hello message from a peer that is not configured as a L2VPN peer. In the case when a L2VPN peer is not configured on a Brocade device, and the user would like to enable support for LDP over RSVP, the user must specify the IP address of the peer to bring up a targeted session. To trigger a targeted session that is set up on the egress router of an RSVP tunnel, enter the targeted-peer command under the MPLS LDP configuration.

```

Brocade(config)# router mpls
Brocade(config-mpls)# ldp
Brocade(config-mpls-ldp)# targeted-peer 10.10.10.10

```

Syntax: [no] targeted-peer *ip-address*

The *ip-address* variable specifies the IP address of the targeted peer. To disable the configuration, enter the [no] form of the command.

---

### NOTE

A targeted peer address is not configured on the ingress router of the RSVP tunnel because configuring LDP tunneling for the LSP automatically brings up a targeted session.

---

## Displaying targeted peer addresses

To display a list of configured peer addresses, enter the show mpls ldp targeted-peer command on the CLI as shown in the following example.

```

Brocade# show mpls ldp targeted-peer
Peer_address
10.2.2.2

```

Syntax: show mpls ldp targeted-peer

## TTL propagation for LDP over RSVP packets

TTL propagation for LDP over RSVP packets is controlled by the propagate-ttl command, and the label-propagate-ttl command:

- When the label operation involves the swap of the LDP label followed by the push of the RSVP label, the label-propagate-ttl command controls the propagation of the LDP label TTL to the RSVP label TTL. By default, the TTL is not propagated. The RSVP label TTL is set to 255. When the label-propagate-ttl command is configured by the user, the LDP label TTL is propagated to the RSVP label TTL.
- When the label operation involves the POP (or the removal) of the LDP label followed by the push of the RSVP label, the following two cases are considered:
  - When the LDP label is not the only label in the Layer 2 or Layer 3 VPN stack, the label-propagate-ttl command controls the propagation of TTL from the outer LDP label to the VC label and, in turn, from the VC label to the RSVP label. By default, the label-propagate-ttl command is turned off. The VC label TTL is not affected when the LDP tunnel label and the RSVP label TTL are set to 255.
  - When the LDP label is the only label in the IP over MPLS stack, the propagate-ttl command controls the propagation of TTL from the LDP label to the IP header and, in turn, from the IP header to the RSVP label. By default, the propagate-ttl command is turned on.

By default, TTL propagation is enabled for IP over MPLS traffic when an RSVP and an LDP tunnel terminate on the same node. For traceroute purposes, when an RSVP tunnel is traced, then TTL propagation must be enabled.

---

### NOTE

There is no label-propagate-ttl command on the NetIron CES and NetIron CER devices. The propagation of LDP label TTL to RSVP label TTL is controlled by the propagate-ttl command. By default, propagate-ttl is enabled, therefore TTL is propagated.

Case 1: SWAP LDP and PUSH RSVP - LDP label TTL is propagated to RSVP label TTL.

Case 2: POP LDP and PUSH RSVP - Outer LDP label TTL is propagated to VC label and IP header and then from VC label and IP header to RSVP label. When the no propagate-ttl command is configured, then TTL is not propagated in the above scenarios, LDP and RSVP label has a TTL value of 255. The LDP and RSVP label TTL is decremented for every hop traversed. Both the VC label and IP header TTL is not affected by LDP and RSVP label TTL. However, at PHP, when no propagate-ttl is configured, after the outermost Label is popped, and when there is no MPLS header but an IP header, then the IP header TTL is decremented by 1.

---

### NOTE

For consistent behavior in all cases of TTL propagation for LDP over RSVP packets, Brocade recommends that the user always turn on or turn off both the label-propagate-ttl command and the propagate-ttl command.

---

## Enabling TTL propagation

By default, MPLS traceroute does not display the LSRs the RSVP tunnel is transiting through, except when the egress router is acting as the egress for both the LDP and the RSVP tunnel. In other words, the RSVP tunnel is treated as a single hop. The `label-propagate-ttl` command and the `propagate-ttl` command must be enabled in order to display details of the RSVP core. By default, the `propagate-ttl` command is enabled. To trace an RSVP path, enable the `label-propagate-ttl` command on all Brocade devices along the RSVP path, as shown in the following example.

```
Brocade(config)# router mpls
Brocade(config-mpls)# policy
Brocade(config-mpls-policy)# label-propagate-ttl
```

Syntax: `[no] label-propagate-ttl`

To disable the configuration, enter the `[no]` form of the command. By default, the `label-propagate-ttl` command is turned off. When MPLS traceroute is configured through an RSVP core, FEC validation for LDP FEC is not performed at the transit LSR of the RSVP tunnel.

## Class of Service (CoS) treatment for LDP over RSVP

The following sections describe COS treatment for LDP over RSVP (transit) for ingress RSVP and RSVP Penultimate Hop Pop (PHP).

### Ingress RSVP

The internal priority of the ingress RSVP is mapped from the incoming LDP label EXP bits. When the RSVP tunnel has a COS configured, it overrides the internal priority of the ingress RSVP. By default, the EXP bits in the outgoing RSVP label are mapped from the internal priority. When the `qos exp encoding off` command is configured on the outgoing interface, the RSVP label EXP bits are set to the internal priority of the ingress RSVP. The incoming LDP label EXP bits are preserved in the outgoing LDP label EXP bits irrespective of whether the `qos exp encoding` command is turned on or off on the outgoing interface.

### RSVP PHP

The internal priority is mapped from the incoming RSVP label EXP bits. On the egress router of the RSVP tunnel, the outgoing LDP label EXP bits are set to the incoming LDP label EXP bits. This is irrespective of whether the `qos exp encoding` command is turned on or off on the outgoing interface.

## Setting the backup retry interval

By default, RSVP tries to bring up an FRR LSPs backup or detour session every 30 seconds. When the number of FRR sessions are very large (48K is the maximum number of FRR sessions supported), RSVP becomes too busy bringing up the backup every 30 seconds for all the LSPs.

Use the `backup-retry-time` command under the `router-mpls` policy to change the backup retry interval.

```
Brocade(config)# router mpls
```

```
Brocade(config-mpls)# policy
Brocade(config-mpls-policy)# backup-retry-time 100
```

Syntax: [no] backup-retry-time *interval*

The *interval* parameter valid range is: [10 - 600] seconds.

Use the [no] form of this command to revert to the default of 30 seconds.

## RSVP-TE Hello

**TABLE 44** RSVP-TE Hello glossary

Term	Meaning
LSP	Label Switched Path
MPLS	Multiprotocol Label Switching
RESV	Reserve
RSVP	Resource Reservation Protocol
TE	Traffic Engineering

The RSVP-TE Hello feature is an optional extension to RSVP-TE protocols to detect neighbor down scenarios. It makes use of Hello messages as keepAlive poll mechanism between RSVP peers on a link.

A failure along the path of a signaled RSVP-TE LSP can remain undetected for as long as two minutes or longer (reservation or RESV time-out). During this time, bandwidth is held by the non-functioning LSP on the nodes downstream from the point of failure along the path with the state intact. If this bandwidth is needed by head end tunnels to signal or re-signal LSPs, tunnels may fail to come up for several minutes thereby negatively affecting convergence time.

Hello messages enable RSVP nodes to detect when a neighboring node is not reachable. When RSVP-TE Hello protocol notices that a neighbor is not responding, it treats it as a neighbor down case (link layer communication failure) and either deletes the LSP state or reroutes it based on the type of LSP. This action frees the node's resources to be reused by other LSPs.

A Hello message is sent out periodically to each RSVP peer on a link. If no response is received from the peer within a specified period of time, then the peer is announced "dead"(down). RSVP LSPs going over that peer must either be torn down or re-routed based on the nature of the LSPs.

This Hello mechanism is intended for use between immediate neighbors. Hello processing between two neighbors supports independent selection of configurations of failure detections intervals.

The configuration of Hello message is completely optional. All the messages may be ignored by nodes which do not wish to participate in Hello message processing. This feature complies with RFC 3209, section 5 (Hello Extension) other than the default hello-interval time which is different in Brocade's implementation.

By default, this feature is disabled.



## Vital Fractions for RSVP-TE Hello

The Hello extension is composed of three parts:

- Hello Message
- Hello REQUEST object
- Hello ACK object

Each neighbor can individually issue Hello REQUEST objects. Each request may be answered by an Hello ACK object. The Hello extension is designed so that one side can use the mechanism while the other side does not. All messages may be ignored by nodes which do not wish to participate in Hello message processing. If a particular peer never responds to Hello messages, Brocade routers do not assume that the peer is dead, but simply assume that it does not support Hello messages.

The Hello message has a Msg Type of 20 with a message format as follows:

```

Hello Message : := Common Header [ INTEGRITY ]
Hello

```

## Working of RSVP-TE Hello feature

Considering both sides of a link support and wish to participate in Hello message processing, the following is the processing of the feature.

10. A node periodically generates a Hello message containing a HELLO REQUEST object for each neighbor whose status is being tracked. The periodicity is governed by the hello-interval. There is support for each interface configuration of RSVP-TE HELLO to be flexible. This value may be configured on a per interface basis. The default value is nine seconds and the configurable range of hello-interval is 1 to 60 seconds.
11. When generating a message containing a HELLO REQUEST object, the sender fills in the 'Src\_Instance' field with a value representing its per neighbor instance. This value does not change while the agent is exchanging Hellos with the corresponding neighbor. The sender also fills in the 'Dst\_Instance' field with the *Src\_Instance* value most recently received from the neighbor. For reference, refer to this variable as the *Neighbor\_Src\_Instance*. If no value has ever been received from the neighbor or this node considers communication to the neighbor to have been lost, the *Neighbor\_Src\_Instance* is set to zero (0). The generation of a message must be suppressed when a HELLO REQUEST object is received from the destination node within the prior hello-interval interval.
12. On receipt of a message containing a HELLO REQUEST object, the receiver generates a Hello message containing a HELLO ACK object. The receiver also verifies that the neighbor has not reset. This is done by comparing the sender's 'Src\_Instance' field value with the previously received value. If the *Neighbor\_Src\_Instance* value is zero, and the 'Src\_Instance' field is non-zero, the *Neighbor\_Src\_Instance* is updated with the new value. If the value differs, then the node treats the neighbor as if communication has been lost.
13. The receiver of a HELLO REQUEST object also verifies that the neighbor is reflecting back the receiver's Instance value. This is done by comparing the received 'Dst\_Instance' field with the 'Src\_Instance' field value most recently transmitted to that neighbor. If the neighbor continues to advertise a wrong non-zero value after a configured number of intervals (hello-tolerance), then the node must treat the neighbor as if communication has been lost.

14. On receipt of a message containing a HELLO ACK object, the receiver must verify that the neighbor has not reset. This is done by comparing the sender's 'Src\_Instance' field value with the previously received value. If the *Neighbor\_Src\_Instance* value is zero, and the 'Src\_Instance' field is non-zero, the *Neighbor\_Src\_Instance* is updated with the new value. If the value differs or the 'Src\_Instance' field is zero, then the node must treat the neighbor as if communication has been lost.
15. The receiver of a HELLO ACK object must also verify that the neighbor is reflecting back the receiver's Instance value. If the neighbor advertises a wrong value in the 'Dst\_Instance' field, then a node must treat the neighbor as if communication has been lost.
16. If no Instance values are received, through either REQUEST or ACK objects, from a neighbor within a configured number of hello-intervals (hello-tolerance), then a node must presume that it cannot communicate with the neighbor. The default for this number is three (3). So, the time-out is equal to three times the retransmission period. Range for hello-tolerance is 1 to 255.
17. When communication is lost or presumed to be lost, a node may re-initiate HELLOs. If a node does re-initiate, it must use a *Src\_Instance* value different than the one advertised in the previous HELLO message. This new value must continue to be advertised to the corresponding neighbor until a reset or reboot occurs, or until another communication failure is detected. If a new instance value has not been received from the neighbor, then the node must advertise zero in the *Dst\_Instance* value field.

For those sessions going over the interface on which a neighbor down is detected, the following actions are taken on the basis of the nature of the LSP:

- For RSVP sessions with no backup available, these sessions are brought down.
- For RSVP sessions with available backups, FRR switchover is performed.

The HELLO mechanism is intended for use between immediate neighbors. So, when the HELLO messages are being exchanged between immediate neighbors, the IP TTL field of all outgoing HELLO messages is set to 1.

## Risk assessment

### Configuring hello-interval on both ends of a link

The hello-interval command at an mpls-interface level is used to configure the interval time for sending RSVP-TE Hello Request messages. Configuring the Hello-interval allows the interface to initiate Hello Request messages. When both ends of the link are configured to respond to RSVP-TE Hello messages, the neighbor on receiving the Request message generates a ACK message.

### Configuring hello-interval only on one end of a link

The hello-interval command at an mpls-interface level is used to configure the interval time for sending RSVP-TE Hello Request messages. If the neighbor does not wish to participate in RSVP-TE Hello message communication, it can ignore the Hello Request messages. The neighbor may send out the ACKs only if it chooses to participate in the RSVP-TE Hello messages. If a particular peer never responds to Hello messages, do not assume that the peer is dead, but simply assume that it does not support Hello messages.

## Removing Hello support from one end of the link

Consider the case when both ends of the link supported RSVP-TE Hello messages and the exchange of messages was normal as both links were up. Remove the support for Hello from one side of the link. The other side keeps sending Hello Request messages, but the neighbor starts ignoring these requests as it no longer wishes to participate in Hello messages exchange. In this case, because the neighbor stops sending ACKs, the router considers this as a neighbor down case and brings down all the RSVP sessions going over that interface. After a neighbor down event, Hello message exchange starts off from scratch (re-initiates). If the neighbor does not respond to Hello Requests, the router assumes that the neighbor does not support Hello because no ACK was ever received after re-initiating Hello.

In addition, when RSVP Hello is supported only on one end of the link, the end that supports Hello will send Hello Request messages until it hits the *hello\_tolerance* limit and then stops sending any further Hellos messages. It restarts sending Hellos when it receives a Hello message from the neighbor and then again continues the two way communication as before.



### CAUTION

Caution: When disabling RSVP hello, please disable it on both sides of the link at the same time to avoid bringing down all the RSVP sessions going over that link.

## Configuring Hello-tolerance

Hello-tolerance can be individually configured on both ends of the interface. Considering both sides of the link are participating in Hello communication, if no Instance values are received, through either of the REQUEST or ACK objects, from a neighbor within this configured hello-tolerance number of hello-intervals, then this node presumes that it cannot communicate with the neighbor.

## Configuring hello-acknowledgements

Configuring hello-acknowledgements command (on the global MPLS RSVP Hello level) enables the router to respond back by sending Hello ACKs on neighbors not carrying any RSVP sessions. By default, Hello ACKs are sent only to neighbors carrying RSVP sessions. This is an optimization.

## Configuration steps

There are three parameters that can be configured for this feature. Two of them are at an mpls-interface level and one is at the mpls-rsvp level.

### RSVP Hello configuration at global MPLS RSVP level

Interval and tolerance for RSVP-TE Hello protocol can be configured at global MPLS RSVP level. The global configuration is pushed to all the mpls-interfaces if interface level configurations are not present. In addition to these two parameters, one more parameter can be configured at global MPLS RSVP level (acknowledgements).

## Backward compatibility

This is fully backward compatible because the feature is turned off by default.

# Commands

The following commands support this feature:

- `rsvp-hello`
- `rsvp-hello acknowledgements`
- `rsvp-hello disable`
- `show mpls config`
- `show mpls config rsvp`
- `show mpls rsvp interface detail`
- `show mpls rsvp neighbor`
- `clear mpls statistics rsvp neighbor`
- `show mpls rsvp statistics`

## rsvp-hello

This configures RSVP-TE Hello with default values on all the mpls-interfaces provided the mpls-interface does not have any local interface level configuration for the same. Interface level configuration takes precedence over global configuration.

RSVP hello configuration at the global MPLS RSVP level

Interval and tolerance for RSVP-TE Hello protocol can be configured at global MPLS RSVP level. The global configuration is pushed to all the mpls-interfaces if interface level configurations is not present. In addition to these two parameters, one more parameter can be configured at global MPLS RSVP level, namely, acknowledgements.

**TABLE 45** RSVP hello configuration at the global MPLS RSVP level

Configuration command	Default value	Vaild range	Comments
rsvp-hello			This will enable the RSVP-TE Hello feature with default values on all the mpls-interfaces if no interface level configuration is present for RSVP Hello.
interval <i>value</i>	9 seconds	1 -60 seconds	
tolerance <i>value</i>	3	1 -255	

The [no] form of the command does not take interval or tolerance as parameters. So, on executing no rsvp-hello command on the global MPLS RSVP level removes the global configuration for hello. All the mpls-interfaces which does not have an interface level configuration for RSVP-TE Hello will now stop executing (disable) hello protocol on that interface.

Hello-interval and hello-tolerance at mpls-interface level

RSVP-TE Hello interval and tolerance can be configured at mpls-interface level as well. Interface level configurations take precedence over global configurations. These parameters can be individually configured for each mpls-interface.

**TABLE 46** Hello-interval and hello-tolerance at mpls-interface level

Configuration command	Default value	Vaild range	Comments
rsvp-hello			This will enable the RSVP-TE Hello feature with default values as below.
interval <i>value</i>	9 seconds	1 -60 seconds	
tolerance <i>value</i>	3	1 -255	

The [no] form of the command does not take interval or tolerance as parameters. Executing no rsvp-hello command on the mpls-interface level would set the RSVP-TE Hello parameters to the globally configured RSVP Hello parameter values. If RSVP Hello is not configured globally, then it would disable RSVP Hello on the mpls-interface. Executing this would remove the configuration from the interface level and would no longer display RSVP Hello configuration at the interface level in the show configuration.

Syntax rsvp-hello [acknowledgements] interval *value* | tolerance *value*]

## 2 rsvp-hello

[no] rsvp-hello acknowledgements

Parameters acknowledgements

The acknowledgements option acknowledges RSVP Hellos on interfaces not having RSVP sessions.

interval

The interval option is the interval between two RSVP Hello requests. The default is nine seconds and the range is 1 - 60 seconds.

tolerance

The tolerance option is the number of unacknowledged RSVP Hello requests before time-out specified by the *dec* variable. The default is 3 and the range is 1 - 255.

Command modes This command operates in MPLS RSVP configuration mode (config-mpls-rsvp).

Usage guidelines By default, acknowledgements are *not sent* on mpls-interface supporting RSVP Hello when no sessions are taking that interface.

These default values are always auto-generated on to the configuration for ease of understanding what values are taken by the interface from the user's perspective.



### CAUTION

When disabling RSVP hello, please disable it on both sides of the link at the same time to avoid bringing down all the RSVP sessions going over that link.

### History

Release	Command history
<i>Multi-Service NetIron Release 05.6.00</i>	The command was introduced.

Related commands None.

## rsvp-hello disable

Disables RSVP Hello on an mpls-interface.

The [no] function of this command enables RSVP-TE Hello on the mpls-interface where it is executed.

Syntax [no] rsvp-hello disable

Parameters disable

Disables RSVP-TE Hello protocol on this interface.

Command modes This command operates at MPLS interface configuration mode.

Usage guidelines The main use case of this is when you want the Hello parameters to be stored on the mpls-interface level but do not want the mpls-interface to participate in RSVP Hello exchange.



**CAUTION**

When disabling RSVP hello, please disable it on both sides of the link at the same time to avoid bringing down all the RSVP sessions going over that link.

History

**Release**

**Command history**

*Multi-Service NetIron Release 05.6.00* This command was introduced.

Related commands None.

## rsvp-hello acknowledgements

The `rsvp-hello acknowledgements` command configures the RSVP-TE Hello to respond back with Hello ACKs to neighbors not carrying any RSVP sessions. The configuring for acknowledgements is at the global MPLS RSVP level.

The `[no]` format of this command sets it back to the default behavior of not sending ACKs to neighbors not carrying any RSVP sessions. This erases the configuration line from the global configuration. All the `mpls-interfaces` supporting RSVP Hello having `ZERO` sessions to neighbors *do not send HELLO\_ACKs* for requests sent to those neighbors (which is the default behavior).

Syntax	<code>[no] rsvp-hello acknowledgements</code>				
Parameters	None.				
Command modes	This command operates in MPLS RSVP Hello global configuration mode.				
Usage guidelines	By default, RSVP-TE Hello does not send ACKs to neighbors not carrying any RSVP sessions.				
History					
	<table><thead><tr><th>Release</th><th>Command history</th></tr></thead><tbody><tr><td><i>Multi-Service NetIron Release 05.6.00</i></td><td>This command was introduced.</td></tr></tbody></table>	Release	Command history	<i>Multi-Service NetIron Release 05.6.00</i>	This command was introduced.
Release	Command history				
<i>Multi-Service NetIron Release 05.6.00</i>	This command was introduced.				
Related commands	None.				



## show mpls rsvp neighbor

The show mpls rsvp neighbor command displays RSVP neighbors that were discovered dynamically during the exchange of RSVP packets.

The RR and MsgID flags in this command show the ability of the neighbor to support Refresh Reduction and Message IDs respectively.

The 'MsgID' field is set to YES in the following cases:

- This field is defaulted to YES initially.
- It is set to YES if the neighbor sends a message containing a Message ID.
- It is also set to YES if the remote MPLS interface is configured to send Message IDs to this neighbor.

The 'MsgID' field is set to NO in the following cases:

- If the peer rejects a message (with a PathErr or ResvErr) because it contains a Message ID object, then this field is set to NO.

If the neighbor sends a NACK to a Message ID object that we send and then subsequently sends a Path or Resv message that does not contain a Message ID, then RSVP sets this field to NO. This allows RSVP to inter-operate with devices that do not support Message IDs.

**Syntax** show mpls rsvp neighbor [*ipv4 address* | *detail*]

**Parameters** *ipv4 address*

The IP address of a learned neighbor.

*detail*

The detail option displays information in detail format.

**Modes** This command operates in all modes.

**Usage guidelines** This command can be used to display all the current RSVP neighbors for this router.

**Command output** The show mpls rsvp neighbor command displays the following information.

Field name	Description
RSVP neighbors learnt	Number of neighbors the router has learned.
Nbr Address	Address of the learned neighbor.
Interface	Name of the interface where the neighbor has been detected.
State	Current status of the neighbor. UP - Router can detect RSVP-TE Hello messages from the neighbor. DOWN - Router has received a failure from the neighbor or change in the sequence numbers in RSVP Hello messages sent by the neighbor.
Last_Change	Time elapsed since the neighbor state changed. Format: days: hours: minutes: seconds.
Number of LSPs to or from this Nbr	This field displays the number of LSPs or RSVP sessions using this next hop (neighbor).(Detail mode only.)

## 2 show mpls rsvp neighbor

Field name	Description
Hello-interval Hello-tolerance	Hello-interval - Frequency at which RSVP-TE Hello Request messages are sent on the interface in seconds Hello-tolerance - The number of hello periods which may pass without receiving a complete Hello message before the Hello session times out. (Detail mode only.)
Hello Tx/Rx Count	Number of Hello packets sent to or received from the neighbor.
RR/MsgID Support	Indicates if Refresh Reduction and Message ID support are enabled/supported by the neighbor. ( <b>Y</b> - Enabled, <b>N</b> - Disabled)
No Hello message received since	This field displays how long back (in seconds) was the last RSVP Hello (Request OR Ack) message was received.
Time left to send next Hello Req	This field is valid and displays the time only when the Neighbor supports RSVP Hellos. Else it will display "-". (Detail mode only.)
Remote instance	Identifier provided by the remote router during Hello messages ( <i>Dest_Instance</i> or <i>Neighbor_Src_Instance</i> ). (Detail mode only.)
Local instance	Identifier send to the neighbor during Hello messages ( <i>Src_Instance</i> ). (Detail mode only.)
Refresh Reduction	Indicates if Refresh Reduction is enabled or supported by the neighbor. (Detail mode only.)
Message ID	Indicates if Message ID support is enabled by the neighbor. (Detail mode only.)

### Example

```
Brocade# show mpls rsvp neighbor
RSVP neighbors learnt: 4
```

Nbr	Address	Interface	State	Last_Change d:h:m:s	HelloTx/Rx Count	RR/MsgID Support
10.152.152.15		e1/2	UP	10:2:31:44	8498/8349	Y/Y
10.92.98.9		e1/12	UP	0:6:39:36	3995/3587	N/Y
10.31.31.15		e4/3	DOWN	6:6:39:36	3000/1267	N/Y
10.92.99.9		e3/2	UP	0:0:31:44	2995/0	N/N

```
Brocade# show mpls rsvp neighbor 10.92.98.9
Nbr Address: 92.92.98.9, Interface: e1/12, State: UP
Last changed time (d:h:m:s): 0:6:39:38, Number of active LSPs to or from this
Nbr: 22
Hello sent: 3995, received: 3587, Hello-interval: 15 sec, Hello-tolerance: 5
  No Hello message received since: 5 sec
  Time left to send next Hello Req: 10 sec
  Remote instance: 0x65c6b2, Local instance: 0x5a4f9f21
Refresh Reduction: Disabled, Message ID: Enabled
```

```
Brocade#show mpls rsvp neighbor 10.1.1.1
RSVP neighbor with the provided IP address does not exist
```

### History

Release	Command history
Multi-Service NetIron Release 05.6.00	This command was introduced.

Related commands    None.

## clear mpls statistics rsvp neighbor

The clear mpls statistics rsvp neighbor command clears the statistics for RSVP neighbors that were discovered dynamically during the exchange of RSVP packets. This clears the counters for RSVP Hello packets transmitted and received for this neighbor which are displayed in the show mpls rsvp neighbor command. This *does not clear* the counters from show mpls rsvp statistics command OR the show mpls rsvp interface detail command.

Syntax clear mpls statistics rsvp neighbor [*ip address* | *all* ]

Parameters *ip address*

The IP address of a learned neighbor. Clears the statistics of that neighbor if this is provided.

*all*

The *all* keyword clears the statistics of all the neighbors discovered.

Mode This command operates in all modes.

Usage guidelines This command clears the statistics for RSVP neighbors that were discovered dynamically during the exchange of RSVP packets.

## Example

```
Brocade# show mpls rsvp neighbor
RSVP neighbors learnt: 4
```

Nbr	Address	Interface	State	Last_Change d:h:m:s	HelloTx/Rx Count	RR/MsgID Support
10.152.152.15		e1/2	UP	10:2:31:44	8498/8349	Y/Y
10.92.98.9		e1/12	UP	0:6:39:36	3995/3587	N/Y
10.92.95.9		e4/1	DOWN	6:6:39:36	3000/1267	N/Y
10.92.99.9		e3/2	UP	0:0:31:44	2995/0	N/N

```
Brocade# clear mpls statistics rsvp neighbor 10.92.98.9
Statistics for RSVP neighbor 10.92.98.9 have been cleared
```

```
Brocade# show mpls rsvp neighbor
RSVP neighbors learnt: 4
```

Nbr	Address	Interface	State	Last_Change d:h:m:s	HelloTx/Rx Count	RR/MsgID Support
10.152.152.15		e1/2	UP	10:2:31:44	8498/8349	Y/Y
10.92.98.9		e1/12	UP	0:6:39:36	0/0	N/Y
10.92.95.9		e4/1	DOWN	6:6:39:36	3000/1267	N/Y
10.92.99.9		e3/2	UP	0:0:31:44	2995/0	N/N

```
Brocade# clear mpls statistics rsvp neighbor 10.1.1.1
RSVP neighbor with the provided IP address does not exist
```

```
Brocade# clear mpls statistics rsvp neighbor all
Statistics for all RSVP neighbors have been cleared
```

```
Brocade# show mpls rsvp neighbor
RSVP neighbors learnt: 4
```

Nbr	Address	Interface	State	Last_Change d:h:m:s	HelloTx/Rx Count	RR/MsgID Support
10.152.152.15		e1/2	UP	10:2:31:44	8498/8349	Y/Y
10.92.98.9		e1/12	UP	0:6:39:36	0/0	N/Y
10.92.95.9		e4/1	DOWN	6:6:39:36	3000/1267	N/Y
10.92.99.9		e3/2	UP	0:0:31:44	2995/0	N/N

10.152.152.15	e1/2	UP	10:2:31:44	0/0	Y/Y
10.92.98.9	e1/12	UP	0:6:39:36	0/0	N/Y
10.92.95.9	e4/1	DOWN	6:6:39:36	0/0	N/Y
10.92.99.9	e3/2	UP	0:0:31:44	0/0	N/N

#### History

##### Release

##### Command history

*Multi-Service NetIron Release 05.6.00* This command was introduced.

#### Related commands

None.

## 2 show mpls config rsvp

### show mpls config rsvp

The show mpls config rsvp command displays all RSVP global configurations.

Syntax	show mpls con fig rsvp				
Parameters	None.				
Modes	This command operates in all modes.				
Example	<pre>Brocade# show mpls config rsvp rsvp   refresh-interval 80   refresh-multiple 10   rsvp-hello interval 20 tolerance 3</pre>				
History	<table><thead><tr><th>Release</th><th>Command history</th></tr></thead><tbody><tr><td><i>Multi-Service NetIron Release 05.6.00</i></td><td>This command was introduced.</td></tr></tbody></table>	Release	Command history	<i>Multi-Service NetIron Release 05.6.00</i>	This command was introduced.
Release	Command history				
<i>Multi-Service NetIron Release 05.6.00</i>	This command was introduced.				
Related commands	None.				

## show mpls rsvp statistics

This command displays the RSVP control packet statistics combined over all the interfaces.

Syntax show mpls rsvp statistics

Parameters None.

Modes This command operates in all modes.

Usage guidelines clear mpls rsvp statistics clears the 'Since last clear' column for the *Harlequins* and *Hillock* added packet types.

### Command output

	Description
Packet Type:	
Path	The number of Path messages sent and received. Path messages store information about the state of the path along the LSP.
Rev	The number of RESV messages sent and received. RESV messages include FF (Fixed Filter), WF (Wildcard Filter), and SE (Shared Explicit) messages.
Path Err	The number of Path Err messages sent and received.
Receiver	The number of Receiver messages sent and received.
PathTear	The number of PathTear messages sent and received. PathTear messages cause path states to be deleted.
ResvTear	The number of ResvTear messages sent and received. ResvTear messages cause reservation states to be deleted.
ResvConf	The number of reservation confirmation messages sent and received.
Bundle	The number of bundled RSVP messages sent and received on the interface.
Ack	The number of Ack messages sent and received on the interface. Ack messages are reliable messaging acknowledgements of RSVP trigger messages.
SumRefresh	The number of summary refresh messages sent and received. Summary refresh messages are RSVP packets listing message IDs of unchanged Resv and Path messages to support RSVP refresh reduction.
Hello	The number of RSVP-TE Hello messages sent and received.
NACK Object	Number of NACK objects.
Errors:	
Rcv pkt bad length	The number of times a packet was not processed because it was the wrong length.
Rcv pkt unknown type	The number of times an RSVP packet was not processed because it was not one of the types defined in RFC 2205.
Rcv pkt bad version	The number of times a packet was not processed because it was an RSVP version other than 1.
Rcv pkt bad cksum	The number of times a packet was not processed because of a bad RSVP checksum.
Memory alloc fail	The number of times a packet was not processed because RSVP memory allocation failed on the device.

## 2 show mpls rsvp statistics

	Description
Rev MD5 Auth Errors	The number of MD5 authentication errors on received packets on the interface.
PATH state timeout	The PATH timeout.
RESV state timeout	The reservation confirmation timeout.
Pkt. with MsgId drop	Number of packets with dropped message ID's.
Pkt. with SRef drop	Number of packets with dropped
Rcv pkt processing error:	
Path	The number of Path messages received with a packet processing error.
Resv	The number of RESV messages received with a packet processing error.
PathErr	The number of PathErr messages received with a packet processing error.
ResvErr	The number of ResvErr messages received with a packet processing error.
PathTear	The number of PathTear messages received with a packet processing error.
ResvTear	The number of reservation confirmation messages received with a packet processing error.
ResvConf	The number of reservation confirmation messages received with a packet processing error.
Bundle	The number of bundled RSVP messages sent and received on the interface with a packet processing error
Ack	The number of Ack messages sent and received on the interface with a packet processing error.
SumRefresh	The number of summary refresh messages sent and received on the interface with a packet processing error.
Hello	The number of RSVP Hello's with a packet processing error.

### Example

```

Brocade# show mpls rsvp statistics
                Total
PacketType      Sent   Received   Since last clear
                Sent   Received
Path            59052  254812    5052         25812
Resv            346754  58983     3464         5883
PathErr         15768   478       1578         478
ResvErr         174     2         174          2
PathTear        193     793       13           73
ResvTear        264     0         264          0
ResvConf        0       0         0            0
Bundle          881     96203     88           9603
Ack             14020   255       1400         25
SumRefresh      40527   20058     4057         2058
Hello         66421  22621    5624        5521
NACK Object     13798   4         198          4

Errors          Total          Since last clear
Rcv pkt bad length  0              0
Rcv pkt unknown type 0              0
Rcv pkt bad version  0              0
Rcv pkt bad cksum    0              0
Memory alloc fail    0              0
Rcv MD5 Auth Errors  0              0
PATH state timeout   1              1

```



```

RESV state timeout      1          1
Pkt with MsgId drop    0          0
Pkt with SRef drop     0          0
Rcv pkt processing error:
  Path                  13700      13700
  Resv                   4          4
  PathErr                0          0
  ResvErr                0          0
  PathTear              0          0
  ResvTear              0          0
  ResvConf              0          0
  Bundle                0          0
  Ack                   0          0
  SumRefresh            0          0
  Hello                 33         8

```

## History

## Release

## Command history

*Multi-Service NetIron Release 05.6.00*

This command displays the RSVP control packet statistics combined over all the interfaces. Added one packet type *Hello*.  
The clear mpls rsvp statistics command clears the 'since last clear' column for the above newly added packet type.

## Related commands

None.

## 2 show mpls rsvp interface detail

### show mpls rsvp interface detail

Use the show mpls rsvp interface detail command to view a details about each configured interface. This command displays the RSVP control packet statistics on a per interface basis. One new packet types, *Hello*, is added in the *Multi-Service NetIron Release 05.6.00*.

Syntax	show mpls rsvp interface detail
Parameters	None.
Command modes	This command operates in all modes.
Usage guidelines	The clear mpls rsvp statistics command clears the 'Since last clear' column for the <i>Hello</i> newly added packet type.

Command output The show mpls rsvp interface detail command displays the following information.

Field	Description
Interface	The RSVP-enabled interface and associated trunk (when applicable).
State	Whether the interface is up or down.
MD5	Whether RSVP message authentication is enabled on the interface.
RelMsg	Whether RSVP reliable messaging is enabled on the interface.
Bundle	Whether RSVP bundle messages are enabled on the interface.
SRefresh	Whether RSVP summary refresh is enabled on the interface.
Num of OutSegs Act/Inact/Resv	Out segments are traffic connections on the link. These connections may be active or inactive. 'Resv' represents the number of active out segments with a non-zero mean rate.
Num of Preempts	Number of times lower priority ISPs have been preempted on this interface.

#### Example

```

Brocade# show mpls rsvp interface detail

Interface  State MD5 RelMsg Bundle SRefresh Num of OutSegs Num of
e1/3      Up   OFF ON   ON   ON       Act/Inact/Resv Preempts/softPrmpt
              7/0/0              0/0

MPLS TE flooding thresholds in use
Default UP thresholds : 15 30 45 60 75 80 85 90 95 96 97 98 99 100
Default DOWN thresholds : 99 98 97 96 95 90 85 80 75 60 45 30 15

Hello-interval: 15 sec, Hello-tolerance: 5 (Hello Active, Global configuration)

          Total                               Since last clear
PacketType  Sent      Received      Sent      Received
Path        58987    20494         97        16
Resv        20486    59041        13         99
PathErr      0         42           0          0
ResvErr      0         1            0          1
PathTear     21         0            10         0
ResvTear     0          0            0          0
ResvConf     0          0            0          0
Bundle       0          0            0          0
Ack          15         0            9          0
  
```

SumRefresh	16	0	11	0
<b>Hello</b>	<b>821</b>	<b>221</b>	<b>743</b>	<b>111</b>
Nack Object	0	0	0	0

Active BIs: 0  
Inactive BIs: 0

Errors	Total	Since last clear
Rcv MD5 Auth Errors	0	0
Pkt with MsgId drop	0	0
Pkt with SRef drop	0	0

Duplicate preempt dropped 0  
P2MP Capable : Yes

When Hello is not operational.

Brocade# show mpls rsvp interface detail

						Num of OutSegs	Num of
Interface	State	MD5	RelMsg	Bundle	SRefresh	Act/Inact/Resv	Preempts/softPrmpt
el/7	Up	OFF	ON	ON	ON	7/0/0	0/0

MPLS TE flooding thresholds in use

Default	UP	thresholds :	15	30	45	60	75	80	85	90	95	96	97	98	99	100
Default	DOWN	thresholds :	99	98	97	96	95	90	85	80	75	60	45	30	15	

**Hello-interval: 9 sec, Hello-tolerance: 3 (Hello Inactive, Local configuration)**

		Total		Since last clear
PacketType	Sent	Received	Sent	Received
Path	58987	20494	97	16
Resv	20486	59041	13	99
PathErr	0	42	0	0
ResvErr	0	1	0	1
PathTear	21	0	10	0
ResvTear	0	0	0	0
ResvConf	0	0	0	0
Bundle	0	0	0	0
Ack	15	0	9	0
SumRefresh	16	0	11	0
<b>Hello</b>	<b>821</b>	<b>221</b>	<b>743</b>	<b>111</b>
Nack Object	0	0	0	0

Active BIs: 0  
Inactive BIs: 0

Errors	Total	Since last clear
Rcv MD5 Auth Errors	0	0
Pkt with MsgId drop	0	0
Pkt with SRef drop	0	0

Duplicate preempt dropped 0  
P2MP Capable : Yes

## 2 show mpls rsvp interface detail

### History

#### Release

*Multi-Service NetIron Release 05.6.00*

#### Command history

This command displays the RSVP control packet statistics on a per interface basis. Added one packet, *Hello*

The clear mpls rsvp statistics command clears the 'since last clear' column for the above newly added packet type.

Related commands  
None.

## show mpls config

The show mpls config command displays the MPLS configuration on the router.

Syntax	show mpls config [autobw-template <i>template_name</i>   static-lsp <i>transit</i>   dynamic-bypass   cspf-group <i>cspf-group_name</i>   brief   lsp <i>lsp_name</i>   path <i>path_name</i>   interface <i>interface_name</i>   vll <i>vll_name</i>   vll-local <i>vll_local_name</i>   vpls <i>vpls_name</i>   bypass-lsp <i>bypass_name</i> ]
Parameters	<p><b>autobw-template</b></p> <p>The autobw-template option lets the user display the named auto bandwidth template configuration information for the path specified by the <i>template_name</i> variable.</p> <p><b>static-lsp</b></p> <p>The static-lsp option lets the user display the named mpls static transit LSPs configuration information for the path specified by the <i>transit</i> variable.</p> <p><b>dynamic-bypass</b></p> <p>The dynamic-bypass options lets you display the dynamic bypass configuration information.</p> <p><b>cspf-group</b></p> <p>The cspf-group option lets the user display the named cspf-group configuration information for the path specified by the <i>cspf_group_name</i> variable.</p> <p><b>brief</b></p> <p>The brief option lets the user display the brief MPLS configuration information.</p> <p><b>lsp</b></p> <p>The lsp option lets the user limit the display to configuration information for the LSP specified by <i>lsp_name</i> variable.</p> <p><b>path</b></p> <p>The path option lets the user limit the display to configuration information for the path specified by <i>path_name</i> variable.</p> <p><b>interface</b></p> <p>The interface option allows the user to limit the display to configuration information for a specified MPLS interface. The <i>interface_name</i> can be either a POS, Ethernet, or VE enabled interface. A POS or Ethernet interface is specified by interface type and slot and port. For example, ethernet 3/2 specifies an Ethernet interface on port 2 of the Interface module installed in slot 3. The VE interface ID specified by the <i>vid</i> variable.</p> <p><b>vll</b></p> <p>The mpls vll option lets the user limit the display to configuration information for the VLL specified by <i>vll_name</i> variable.</p> <p><b>vll-local</b></p> <p>The vll-local option lets the user limit the display to configuration information for the Local VLL specified by the <i>vll_local_name</i> variable.</p> <p><b>vpls</b></p>

## 2 show mpls config

The `vpls` option lets the user limit the display to configuration information for the VLL specified by `vpls_name` variable.

`bypass-lsp`

The `bypass-lsp` option lets the user limit the display to information for the bypass LSP specified by `bypass_name` variable.

**Modes** This command operates in all modes.

**Usage guidelines** When an option is used without a variable specified, the configuration parameters for the option are shown for all elements that match the option are displayed.

**Command output** The `show mpls config` command displays the following information.

Output field	Description
<code>traffic-eng</code>	Sets the traffic engineering parameters.
<code>mpls-interface</code>	The interface type refers to any one of the following: <ul style="list-style-type: none"><li>• <code>ethernet slot and port</code> to limit the display to a single ethernet port.</li><li>• <code>pos slot and port</code> to limit the display to a single POS port.</li><li>• <code>ve vid</code> to limit the display to a VE interface ID specified by the <code>vid</code> variable.</li></ul>
<code>rsvp-hello</code>	Hello-interval Frequency at which RSVP-TE Hello Request messages are sent on the interface, in seconds. Hello-tolerance The number of hello periods which may pass without receiving a complete Hello message before the Hello session times out.

**Example** Output 1: Hello configuration with default configuration on interface ethernet 1/12 (auto-generated).

```
Brocade# show mpls config
router mpls
  policy
    traffic-eng isis level-2

    mpls-interface e1/12
      rsvp-hello interval 9 tolerance 3

end of MPLS configuration
```

Output 2: Hello configuration with non-default configuration on interface ethernet 1/12 and with configuration of hello-acknowledgements and non-default configuration at the rsvp global level.

```
Brocade# show mpls config
router mpls
  policy
    traffic-eng isis level-2

  rsvp
    rsvp-hello interval 15 tolerance 5
    rsvp-hello acknowledgements

  mpls-interface e1/12
    rsvp-hello interval 10 tolerance 4
```

```
end of MPLS configuration
```

Output 3: Hello configuration with non-default configuration on interface ethernet 1/12 and with configuration of hello-acknowledgements and non-default configuration at rsvp global level. And RSVP Hello disabled on the interface ethernet 1/12.

```
Brocade# show mpls config
router mpls
  policy
    traffic-eng isis level-2

  rsvp
    rsvp-hello interval 25 tolerance 10
    rsvp-hello acknowledgements

  mpls-interface e1/12
    rsvp-hello interval 15 tolerance 5
    rsvp-hello disable

end of MPLS configuration
```

#### History

Release	Command history
<i>Multi-Service NetIron Release 05.6.00</i>	The command was enhanced for when an option is used without a variable specified, the configuration parameters for the option are shown for all elements that match that option are displayed.
<i>Multi-Service NetIron Release 05.5.00</i>	This command was enhanced to display the label withdrawal delay setting.

Related commands None.

## Displaying LDP information

The user can display the following information about LDP:

- The LDP version number and the LSPs LDP identifier and loopback number
- Information about active LDP-created LSPs on the device
- Information about LDP-created tunnel LSPs for which this device is the ingress LER
- LDP database content
- Information about the LDP session between this LSR and its LDP peers
- Information about the connection between this LSR and its LDP peers
- Information about LDP-enabled Interfaces on the LSR

### Displaying the LDP version

To display the LDP version number, the LSR ID and loopback number, and the LDP hello interval and hold time, enter the `show mpls ldp` command shown in the example below.

```
Brocade(config)# show mpls ldp
Label Distribution Protocol version 1
  LSR ID: 10.210.210.21, using Loopback 1 (deleting it stops LDP)
  Hello interval: Link 5 sec, Targeted 15 sec
  Hold time value sent in Hellos: Link 15 sec, Targeted 45 sec
  Keepalive interval: 6 sec, Hold time multiple: 6 intervals
  Load sharing: 8
  Tunnel metric: 0
  FEC used for auto discovered peers: current 129, configured 129
  Graceful restart: enabled
    Reconnect time: 120 seconds, Max peer reconnect time: 120 seconds
    Recovery time: 120 seconds, Max peer recovery time: 120 seconds
  Forwarding state holding timer: not running
```

Syntax: `show mpls ldp`

Table 47 lists the information displayed by the `show mpls ldp` command.

**TABLE 47** Output from the `show mpls ldp` command

This field...	Displays...
Label Distribution Protocol version	The LDP version.
LSR ID	The identifier of the device and the loopback interface number being used by LDP. LDP advertises the address of this loopback interface in Address messages.
Hello interval	How often the device sends out LDP Link Hello and Targeted Hello messages.
Hold time value sent in Hellos	How long the device waits for its LDP peers to send a Hello message. The hold time is included in the Link Hello and Targeted Hello messages it sends out to its LDP peers.
Keepalive interval	The number of seconds between successive Keepalive messages send for an LDP session.



**TABLE 47** Output from the show mpls ldp command (Continued)

This field...	Displays...
Hold time multiple	The number of Keepalive messages not received before a session is declared down.
Graceful restart	The show GR setting and the status of the forwarding state hold timer is provided with the remaining time when it is running.

## Displaying information about LDP-created LSPs

The user can display information about active LDP-created LSPs for which this device is an ingress, transit, or egress LSR.

### Example

```
Brocade(config)# show mpls ldp path
Upstr-session(label)      Downstr-session(label, intf)  Destination route
10.3.3.3:0(3)             (egress)                     10.1.1.1/32
10.2.2.2:0(3)             (egress)                     10.1.1.1/32
10.3.3.3:0(1024)          10.2.2.2:0(3, e2/10)         10.2.2.2/32
10.2.2.2:0(1024)          10.2.2.2:0(3, e2/10)         10.2.2.2/32
(ingress)                 10.2.2.2:0(3, e2/10)         10.2.2.2/32
10.3.3.3:0(1026)          10.3.3.3:0(3, e2/20)         10.3.3.3/32
10.2.2.2:0(1026)          10.3.3.3:0(3, e2/20)         10.3.3.3/32
(ingress)                 10.3.3.3:0(3, e2/20)         10.3.3.3/32
```

Syntax: show mpls ldp path

Each line in the output of the show mpls ldp path command shows information about an LSP created through LDP. The command output lists the incoming and outgoing labels applied to packets in each LSP. For example, the third line in the example output indicates that MPLS packets received from upstream peer 10.3.3.3 with label 1024 are to be transmitted to downstream peer 10.2.2.2 with label 3.

### NOTE

In this context, “upstream” and “downstream” shows the direction that data traffic flows in an LSP. This is opposite of the direction that labels are distributed using LDP.

Additionally, the output of this command indicates that the device has received a label for the destination IP prefix (that is, the attached route) from the downstream peer and then advertised a label for that IP prefix to the upstream peer.

Table 48 lists the information displayed by the show mpls ldp path command.

**TABLE 48** Output from the show mpls ldp path command

This field...	Displays...
Upstr-session(label)	The LDP identifier of the upstream peer, as well as the incoming label. Note that upstream session information does not apply to LSPs for which this is the ingress LER. Because the device uses a per-platform label space, the incoming interface for LDP-created LSP is not relevant.
Downstr-session(label, intf)	The LDP identifier of the downstream peer, as well as the outgoing label and interface. When applicable, the ingress interface (intf) field displays a VE interface specified by the vid variable. Note that downstream session information does not apply to LSPs for which this is the egress LER. When LDP selects its outgoing interface as an RSVP tunnel, the ingress interface (intf) field displays the RSVP tunnel name.
Destination route	The destination route bound to this LSP.

## Displaying LDP tunnel LSP information

The show mpls ldp tunnel command has been enhanced to have a filter for tunnel destination prefix. Two options, 'brief' and 'detail' have been added to this command. Tunnel destination prefix can be either IPv4 host address or IPv4 prefix with subnet mask. Output of the command with the path destination prefix filter displays a single tunnel entry for a specified tunnel destination IP prefix. The format of the command output for a tunnel destination filtered command is in detailed format. The 'brief' option displays the output similar to the example below. The 'detail' option displays all the tunnel entries in detailed format. Additionally existing show mpls ldp tunnel command output has been enhanced to show the total number of LDP tunnels.

To display information about LDP-created LSPs for which this device is the ingress LER, enter the following command.

```

Brocade# show mpls ldp tunnel
Total number of LDP tunnels : 3
      Oper      Tunnel      Outbound
To      State      Intf      Intf
10.22.22.22/32 UP      tnl2      e2/3 e3/3 (Trunk11)
10.33.33.33/32 UP      tnl3      e2/3 (Trunk11)
10.44.44.44/32 UP      tnl4      ve55

Brocade# show mpls ldp tunnel brief
Total number of LDP tunnels : 3
      Oper      Tunnel      Outbound
To      State      Intf      Intf
10.22.22.22/32 UP      tnl2      e2/3 (Trunk11)
10.33.33.33/32 UP      tnl3      e2/3 (Trunk11)
10.44.44.44/32 UP      tnl4      ve55

Brocade# show mpls ldp tunnel 10.22.22.22
LDP tunnel tnl2, to 10.22.22.22/32
  Tunnel index: 2, metric: 0, status: UP
  Outgoing interface: e2/3 (Trunk11), Next-hop index: 0

Brocade# show mpls ldp tunnel 10.44.44.44/32
LDP tunnel tnl4, to 10.44.44.44/32
  Tunnel index: 4, metric: 0, status: UP
  Outgoing interface: ve55, Next-hop index: 1

Brocade# show mpls ldp tunnel detail
Total number of LDP tunnels : 3
LDP tunnel tnl2, to 10.22.22.22/32
  Tunnel index: 2, metric: 0, status: UP
  Outgoing interface: e2/3 (Trunk11), Next-hop index: 0
LDP tunnel tnl3, to 10.33.33.33/32
  Tunnel index: 3, metric: 0, status: UP
  Outgoing interface: e2/3 (Trunk11), Next-hop index: 0
LDP tunnel tnl4, to 10.44.44.44/32
  Tunnel index: 4, metric: 0, status: UP
  Outgoing interface: ve55, Next-hop index: 1
    
```

Syntax: show mpls ldp tunnel [*destination-ip-address* | *ip-mask*] [brief | detail]

The following table describes the output of the show mpls ldp tunnel command.

**TABLE 49** Output from the show mpls ldp tunnel command

This field...	Displays...
Tunnel Name	Name of the tunnel.
To	The egress LER for the LSP.
Status	The operational state of the LSP. This field indicates whether the LSP has been established through LDP signalling and is capable of having packets forwarded through it.
Tunnel Index	Tunnel index of the current tunnel.
Outgoing Interface	The outbound interface for the LSP. The outbound interface displays the egress interface of the tunnel. Multiple outbound ports are separated by spaces. When applicable, the egress interface of the tunnel displays a VE interface specified by the <i>vid</i> variable.

**TABLE 49** Output from the show mpls ldp tunnel command (Continued)

This field...	Displays...
Metric	Metric value for the tunnel.
Next-hop index	Index of the next hop used for this tunnel.

## Displaying the contents of the LDP database

The show mpls ldp database command has been enhanced to have a filter for peer address. The peer address is the IPv4 address of the LDP Peer of an LDP Session. Output of the command with the peer address filter displays the database details only for a single specified peer.

The user can display the contents of the LSRs LDP Label Information Base. This database contains all the labels it has learned from each of its LSR peers, as well as all of the labels it has sent to its LDP peers.

```

Brocade# show mpls ldp database
Session 10.210.210.21:0 - 10.2.2.2:0
Downstream label database:
  Label      Prefix                State
Upstream label database:
  Label      Prefix
  1024      10.125.125.25/32(Stale)
  3         10.210.210.21/32(Stale)
  1025      10.220.220.22/32(Stale)
Session 10.210.210.21:0 - 10.220.220.22:0
Downstream label database:
  Label      Prefix                State
  3         10.220.220.22/32    Installed
  1024      10.125.125.25/32    Installed
  983097     VC-FEC                Retained
Upstream label database:
  Label      Prefix
  3         10.210.210.21/32
  983040     VC-FEC
    
```

Syntax: show mpls ldp database [peer-ip-address]

For each LDP session, the show mpls ldp database command displays the following information

**TABLE 50** Output from the show mpls ldp database command

This field...	Displays...
Session	The LDP identifiers of this LSR and its peer.
Downstream label database	Information about labels received from the LDP peer
Upstream label database	Information about labels distributed by this LSR to the LDP peer. The device sends the same label for a given prefix to all of its upstream peers. In the example above, label 1028 is mapped to prefix 10.14.14.14/32. This device sends this label mapping to each of its upstream peers.
Label	The label value received from or distributed to LDP peers. It also displays the label values for VC FECs received from downstream LDP peers or advertised to up stream LDP peers.

**TABLE 50** Output from the show mpls ldp database command (Continued)

This field...	Displays...
Prefix	The destination route associated with the label. Since Prefix is not applicable to the VC-FECs, this field indicates that the label is associated with the VC FEC.
State	Whether the label is actively being used for data forwarding. This can be one of the following “Installed” indicates that the label is being used with an active LDP-created LSP to forward packets. “Retained” indicates that the label is not being used for packet forwarding. Since LSRs use Liberal Label Retention, these unused labels are retained in the database and not discarded.

## Displaying LDP session information

To display information about the LDP session between this LSR and its LDP peers, enter the show mpls ldp session command.

The following examples show GR related information received from the neighbor. When GR is happening, it also shows the current state.

```

Brocade# show mpls ldp session
Number of link LDP sessions: 2
Number of Operational link LDP sessions: 2
Number of targeted LDP sessions: 1
Number of Operational targeted LDP sessions: 1

Peer LDP ID          State           Adj Used  My Role  Max Hold  Time Left
10.22.22.22:0       Operational    Link      Passive  36        33
10.33.33.33:0       Operational    Targeted  Passive  36        34
10.44.44.44:0       Operational    Link      Passive  36        34
    
```

The following example shows the reconnect timer running.

```

Brocade# show mpls ldp session

Peer LDP ID: 10.2.2.2:0, Local LDP ID: 10.210.210.21:0, State: Restarting
Graceful restart: enabled
Peer reconnect time(msec): 120000, peer recovery time(msec): 120000
Reconnect time in use(msec): 120000, remaining time(msec): 32300
State: reconnecting
    
```

The following example shows the recovery timer running.

## 2 Displaying LDP information

```
Brocade# show mpls ldp session 10.11.11.1
Peer LDP ID: 10.11.11.1:0, Local LDP ID: 10.22.22.2:0, State: Operational
  Adj: Link, Role: Active, Next keepalive: 0 sec, Hold time left: 30 sec
  Keepalive interval: 6 sec, Max hold time: 36 sec
  Up time: 56 sec
  Neighboring interfaces: (targeted), e1/1
  TCP connection: 10.22.22.2:9001--10.11.11.1:646, State: ESTABLISHED
  Next-hop addresses received from the peer:
    10.9.1.1 10.10.1.1 10.11.11.1 10.11.11.12
  Graceful restart: enabled
    Peer reconnect time(msec): 120000, peer recovery time(msec): 120000
    Recovery time in use(msec): 120000, remaining time(msec): 103000
  State: recovering
```

The following command output displays information about:

- Configured keepalive timeout
- Peer proposed keepalive timeout
- Forwarding Equivalence Class (FEC) label information such as the count of installed, received, and filtered FEC labels

```
Brocade# show mpls ldp session 10.0.0.13
Peer LDP ID: 10.0.0.13:0, Local LDP ID: 10.0.0.1:0, State: Operational
  Adj: Link, Role: Passive, Next keepalive: 3 sec, Hold time left: 33
  sec
  Keepalive interval: 6 sec, Max hold time: 36 sec
  Configured keepalive timeout: 36 sec
  Peer proposed keepalive timeout: 36 sec
  Up time: 4 min 56 sec
  Neighboring interfaces: e2/1 (Trunk3)
  TCP connection: 10.0.0.1:646--10.0.0.13:9098, State: ESTABLISHED
  Next-hop addresses received from the peer:
    10.0.0.13 192.168.3.2 192.168.6.2 192.168.9.2 192.168.12.2
    192.168.16.2 192.168.19.1 192.168.20.1 192.168.28.2 192.168.40.2
    192.168.45.2
  IGP Sync:
    Unrecognized Notification Capability: Local: Off, Remote: Off
    Local State: In-sync, RemoteState: -
    Rx label silence time: 1000 ms, Timer not running
  Graceful restart: disabled
  Number of FECs Received from peer: 4013
  Number of FECs installed from peer: 4005
  Number of FECs filtered from peer: 0
```

Syntax: show mpls ldp session

The possible GR states are:

- Not started: session is not currently in GR
- Reconnecting: wait for session reestablishment
- Recovering: recovery is in-progress

For a router in helper-only mode, Up time indicates the time since the session was brought up after the peer has restarted.

The show mpls ldp session command output has been enhanced to display the total number of link and targeted sessions in operational state.

The following table describes the output of the show mpls ldp session command.

**TABLE 51** Output from the show mpls ldp session command

This field...	Displays...
Peer LDP ID	The LDP identifier of the peer LSR. The first four octets identify the peer LSR IP address; the second two octets identify a label space on the LSR. For LSRs that use per-platform label spaces, the second two octets are always zero.
State	The current state of the LDP session between this LSR and its peer, as defined in RFC 3036. This can be "Nonexistent", "Initialized", "OpenRec", "OpenSent", or "Operational".
Adj Used	LDP adjacencies for a session: <ul style="list-style-type: none"> <li>• Targeted</li> <li>• Link</li> </ul> NOTE: When both link and targeted LDP adjacencies exist for a session, the adjacency type that is used displays the link.
My Role	Whether this LSR is playing the "active" or "passive" role in LDP session establishment (as defined in RFC 3036). The LSR with the higher LSR ID plays the active role in LDP session establishment.
Max Hold	The number of seconds that the "Hold time remain" counter is reset to once a KeepAlive message is received from the peer.
Time Left	The amount of time, in seconds, before the LDP session times out when no KeepAlive message is received from the peer.

To display more detailed information about the LDP session between this LSR and its LDP peers, enter the show mpls ldp session command with the detail option as shown in the following.

```

Brocade# show mpls ldp session detail
Peer LDP ID: 10.120.120.2:0, Local LDP ID: 10.110.110.1:0, State: Operational
  Adj: Link, Role: Passive, Next keepalive: 4 sec, Hold time left: 37 sec
  Keepalive interval: 6 sec, Max hold time: 36 sec
  Up time: 6 min 51 sec
  MD5 Authentication Key: $M1VzZCFAbg==
  Neighboring interfaces: e2/11
  TCP connection: 10.110.110.1:646--10.120.120.2:9004, State: ESTABLISHED
  Next-hop addresses received from the peer:
    10.10.10.2 10.11.11.2 10.12.12.2 10.13.13.2 10.120.120.2
Graceful restart: enabled
  Reconnect time: 120 seconds, Max peer reconnect time: 120 seconds
  Recovery time: 120 seconds, Max peer recovery time: 120 seconds
  Forwarding state holding timer: not running
    
```

Syntax: show mpls ldp session detail

### NOTE

The key displayed using the command, `show mpls ldp session detail` is the one configured for that session. This key may not be the one which is “in use” by that session as the session may have been established prior to the change in the configured key. When the session is already in the established state, any change in the authentication key takes effect during the next incarnation of the LDP session.

For each established LDP session, the command displays the following information:

**TABLE 52** Output from the `show mpls ldp session detail` command

This field...	Displays...
Peer LDP ID	The LDP identifier of the peer LSR. The first four octets identify the peer LSR IP address; the second two octets identify a label space on the LSR. For LSRs that use per-platform label spaces, the second two octets are always zero.
Local LDP ID	This LSRs LDP identifier.
State	The LDP session state, as defined in RFC 3036. This can be “Nonexistent”, “Initialized”, “OpenRec”, “OpenSent”, or “Operational”.
Adj	Whether the session was established using the Link adjacency (basic discovery) or the Targeted discovery (extended discovery).
Role	Whether this LSR is playing an “active” or “passive” role in session establishment.
Next keepalive	When this LDP session is established, the amount of time, in seconds, before the next KeepAlive message is sent to the active peer. When this LSR is the active peer, prior to establishing a session with the passive peer, the text “Next Initialization” is displayed instead. The “Next Initialization” value indicates, in seconds, when the next Initialization message is sent to the passive peer.
Hold time left	The amount of time, in seconds, before the LDP session times out when no KeepAlive message is received from the peer.
Max hold time	The number of seconds that the “Hold time remain” counter is reset to once a KeepAlive message is received from the peer.
Up Time	The Up Time is displayed in days, hours, minutes, and seconds. This line appears only when the session is in Operational Up State.
KeepAlive interval	The amount of time the LSR waits for an LDP PDU from the peer. When this amount of time passes without receiving an LDP PDU from the peer, the LDP session is terminated.
MD5 Authentication Key	The MD5 authentication key is displayed in an encrypted form when the user does not have the correct privileges. When the user has the correct permission, it displays as clear text.
Neighboring interfaces	The interfaces where an LDP neighbor/adjacency relationship has been established with the peer. When there are multiple connections between two LDP-enabled peers, there can be multiple neighboring interfaces. When applicable, the Neighboring Interface field displays a VE interface specified by the <i>vid</i> variable.
TCP connection	The local and remote IP addresses and port numbers for the TCP connection between the peers.



**TABLE 52** Output from the show mpls ldp session detail command (Continued)

This field...	Displays...
State	The state of the TCP connection between the peers.
Next-hop addresses received from the peer	The next-hop addresses received from the peer in LDP address messages. The LSR uses this list of addresses to determine whether the peer is the correct next hop for a destination route. When one of the addresses in this list is the correct next hop for the route, the label received from the peer is installed for that route, allowing it to be used for data forwarding.

## Displaying LDP neighbor connection information

To display information about the connection between this LSR and its LDP-enabled neighbors, enter the following command.

```
Brocade# show mpls ldp neighbor
Nbr Transport      Interface      Nbr LDP ID      Max Hold  Time Left
10.1.1.1           p4/1          10.1.1.1:0      15        14
10.5.5.5           p3/2          10.5.5.5:0      15        11
10.4.4.4           (targeted)    10.4.4.4:0      15        13
```

The show mpls ldp neighbor command is enhanced to include a detail option. The detail parameter includes Adjacency Up Time.

```
Brocade # show mpls ldp neighbor detail
Nbr Transport Addr: 10.22.22.1, Interface: e1/1, Nbr LDP ID: 10.22.22.1:0
  MaxHold: 44 sec, Time Left: 43 sec, Up Time: 36 min 22 sec

Nbr Transport Addr: 10.22.22.1, Interface: e1/2, Nbr LDP ID: 10.22.22.1:0
  MaxHold: 75 sec, Time Left: 74 sec, Up Time: 36 min 27 sec

Nbr Transport Addr: 10.33.33.1, Interface: e1/3, Nbr LDP ID: 10.33.33.1:0
  MaxHold: 75 sec, Time Left: 72 sec, Up Time: 36 min 22 sec

Nbr Transport Addr: 10.33.33.1, Interface: targeted, Nbr LDP ID: 10.33.33.1:0
  MaxHold: 75 sec, Time Left: 69 sec, Up Time: 35 min 36 sec
```

Syntax: show mpls ldp neighbor detail

**TABLE 53** Output from the show mpls ldp neighbor command

This field...	Displays...
Nbr Transport	The transport address of the LDP neighbor.
Interface	The interface to which the LDP neighbor is connected. "(targeted)" indicates that the session between this device and the neighbor was established using Targeted Hello messages (that is, through extended discovery). When applicable, the Interface field displays a VE interface specified by the vid variable.
Nbr LDP ID	The neighbor's LDP identifier.
Max Hold	The number of seconds the device waits for its LDP peers to send a Hello message.

## 2 Displaying LDP information

**TABLE 53** Output from the show mpls ldp neighbor command (Continued)

This field...	Displays...
Time Left	The amount of time, in seconds, before the LDP neighbor times out when no Hello message is received from the neighbor.
Up Time	The Up Time is the time since the LDP adjacency is established. It is displayed in days, hours, minutes, and seconds. When there is no Adjacency, then nothing is displayed.

## Displaying information about LDP-enabled interfaces

To display information about the LDP-enabled interfaces on the LSR, enter the show mpls ldp interface command.

```
Brocade# show mpls ldp interface
          Label-space  Nbr          Hello          Next
Interface  ID          Count       Interval       Hello
e4/1      0          1          5             0 sec
(targeted) 0          0          15            --
```

Syntax: show mpls ldp interface

**TABLE 54** Output from the show mpls ldp interface command

This field...	Displays...
Interface	The slot and port number of the LDP-connected interface. "(targeted)" shows information about unicast Targeted Hello messages sent to VLL peers.
Label-space ID	The label space ID. For LSRs that use per-platform label spaces, the second two octets are always zero.
Nbr Count	The number of LDP peers/adjacencies that has been established on this interface. This number can be greater than one (1) when this is a multi-access network.
Hello Interval	The number of seconds between LDP Hello messages.
Next Hello	The number of seconds before the next LDP Hello message is sent (multicast to the LDP interface (non-targeted). For a targeted interface, the LDP Hello message is unicast and, hence, for every neighbor, the next LDP Hello message is sent at a different time. In order to find out when the next LDP Hello message is sent out of any targeted adjacency, use the command show mpls ldp neighbor.

## Displaying information about specified LDP-enabled interface

To display information about a specific LDP enabled interface on the LSR, enter the following command.

```
Brocade# show mpls ldp interface ethernet 4/1
e4/1(Trunk1), label-space ID: 0
  Nbr count: 1
  Hello interval: 7 sec, next hello: 2 sec
  Hello timeout: 21 sec, hello timeout self: 0 sec
```

Syntax: show mpls ldp interface [ethernet slot/port | ve vid]

**TABLE 55** Output from the show mpls ldp interface command for a specific interface

This field...	Displays...
Interface	The slot and port number of the LDP-connected interface. The interface type refers to any one of the following: <ul style="list-style-type: none"> <li>• ethernet <i>slot/port</i> to limit the display to a single ethernet port</li> <li>• ve <i>vid</i> to limit the display to a VE interface ID specified by the <i>vid</i> variable.</li> </ul>
Label-space ID	The label space ID. For LSRs that use per-platform label spaces, the second two octets are always zero.
Nbr Count	The number of LDP peers and adjacencies that have been established on this interface. This number can be greater than one (1) when this is a multi-access network.
Hello Interval	The number of seconds between LDP Hello messages.
Next Hello	The number of seconds before the next LDP Hello message is sent (multicast) to the LDP interface (non-targeted). For a targeted interface, the LDP Hello message is unicast and, consequently, for every neighbor, the next LDP Hello message is sent at a different time. In order to find out when the next LDP Hello message is sent out of any targeted adjacency, use the command show mpls ldp neighbor.
Hello Timeout	The number of seconds that the interface waits for its LDP peers to send a Hello message. When the interface does not receive a Hello message within this time, the LDP session with the peer can be terminated.
Hello Timeout Self	The Hello Timeout Self configured for this interface. When the value for this parameter is set to zero (0), the Hello Timeout value is determined using the adjacent peer's sent hold timeout value. When that value is also set to zero (0), the global default value is used.

## Displaying the LDP peer information

The user can display LDP peering information as shown in the following.

```
Brocade# show mpls ldp peer
Peer LDP ID      State           Num-VLL        Num-VPLS-Peer
10.2.2.2:0       Operational     2              0
10.3.3.3:0       Operational     0              0
10.8.8.8:0       Operational     2              0
10.9.9.9:0       Unknown        2              0
10.14.14.14:0    Operational     1              0
```

Syntax: show mpls ldp peer *peer-ip-address* | detail | brief]

For each LDP session, the show mpls ldp peer command displays the following information:

**TABLE 56** Output from the show mpls ldp peer command

This field...	Displays...
Peer-addr	The LDP identifier of the peer LSR. The first four octets identify the peer LSR IP address; the second two octets identify a label space on the LSR. For LSRs that use per-platform label spaces, the second two octets are always zero.
State	The current state of the LDP session between this LSR and its peer.

**TABLE 56** Output from the show mpls ldp peer command (Continued)

This field...	Displays...
Num-VLL	Number of VLL instances using this LDP peer.
Num-VPLS-Peer	Number of VPLS instances using this LDP peer.

To display more detailed information about the LDP peers, enter the following command.

```
Brocade# show mpls ldp peer detail
Peer LDP ID: 10.2.2.2:0, Local LDP ID: 10.1.1.1:0, State: Operational
Session Status UP, Entity Idx: 4, Targeted: No, Target Adj Added: Yes
Num VLL: 2, Num VPLS: 0
Rcvd VC-FECs:
  From 10.2.2.2: Label: 800001, VC Id: 120, Grp_Id: 0, VC Type: 4 MTU: 5000
Peer LDP ID: 10.8.8.8:0, Local LDP ID: 10.1.1.1:0, State: Operational
Session Status UP, Entity Idx: 2, Targeted: Yes, Target Adj Added: Yes
Num VLL: 2, Num VPLS: 0
Rcvd VC-FECs:
  From 10.8.8.8: Label: 16, VC Id: 19, Grp_Id: 0, VC Type: 32773, MTU: 5000
  From 10.8.8.8: Label: 18, VC Id: 18, Grp_Id: 0, VC Type: 32772, MTU 5555
```

For each LDP peer, the command displays the following information:

**TABLE 57** Output from the show mpls ldp peer detail command

This field...	Displays...
Peer LDP ID	The LDP identifier of the peer LSR. The first four octets identify the peer LSR IP address; the second two octets identify a label space on the LSR. For LSRs that use per-platform label spaces, the second two octets are always zero.
Local LDP ID	This LSRs LDP identifier.
State	The LDP session state, as defined in RFC 3036. This can be "Nonexistent", "Initialized", "OpenRec", "OpenSent", or "Operational".
Session Status	Whether the session is operationally UP or Down.
Entity Idx	This displays the LDP session entity CB index maintained by the LDP session controller.
Targeted	Whether the session was established using Targeted Hello messages (that is, through extended discovery).
Target Adj Added	Whether the targeted adjacency was initiated for this LDP peer.
Num VLL	Number of VLL instances using the LDP peer.
Num VPLS	Number of VPLS instances using the LDP peer.
Rcvd VC FECs	Displays the contents of received VC FECs
From	Peer LSR ID where the VC FEC was received from.
Label	The MPLS label associated with the VC FEC.
VC ID	The VC ID associated with the VC FEC.
Grp_ID	The Group ID associated with the VC FEC.
VC Type	The VC Type associated with the VC FEC.
MTU	The MTU value received in a VC Label Matching message from a peer.

To display detailed information about a specific LDP peer, enter the following command.

```
Brocade# show mpls ldp peer 10.22.22.22
Peer LDP ID: 10.22.22.22:0, Local LDP ID: 10.24.24.24:0, State: Operational
Session Status UP, Entity Idx: 1, Targeted: No, Target Adj Added: No
Num VLL: 0, Num VPLS: 0
Rcvd VC-FECs:
  From 10.5.5.5: Label: 100000, VC Id: 10, Grp_Id: 0, VC Type: 32773, MTU: 5000
  From 10.5.5.5: Label: 190448, VC Id: 200, Grp_Id: 0, VC Type: 32772, MTU 5555
```

For each LDP peer, the command displays the following information:

**TABLE 58** Output from the show mpls ldp peer detail command

This field...	Displays...
Peer LDP ID	The LDP identifier of the peer LSR. The first four octets identify the peer LSR IP address; the second two octets identify a label space on the LSR. For LSRs that use per-platform label spaces, the second two octets are always zero.
Local LDP ID	This LSRs LDP identifier.
State	The LDP session state, as defined in RFC 3036. This can be “Nonexistent”, “Initialized”, “OpenRec”, “OpenSent”, or “Operational”.
Session Status	Whether the session is operationally UP or Down.
Entity Idx	This displays the LDP session entity CB index maintained by the LDP session controller.
Targeted	Whether the session was established using Targeted Hello messages (that is, through extended discovery).
Target Adj Added	Whether the targeted adjacency was initiated for this LDP peer.
Num VLL	Number of VLL instances using the LDP peer.
Num VPLS	Number of VPLS instances using the LDP peer.

## Display considerations for LDP FEC information

The show mpls ldp fec command has changed to allows the user to display all Layer 3 FEC information on the CLI, or specify the FEC type the user wants to display. When displaying the show mpls ldp fec command, consider the following:

- The prefix option is introduced to the show mpls ldp fec command. The show mpls ldp fec prefix command displays the total number of Layer 3 FECs. The total number of Layer 3 FECs is displayed in the Total number of prefix FECs field. For more information on this command, refer to [“Displaying LDP FEC information”](#).
- All options that are available under the show mpls ldp fec command have moved to the show mpls ldp fec prefix command.
- The summary option is introduced to the show mpls ldp fec command. The show mpls ldp fec summary command displays summarized FEC information. For more information on this command, refer to [“Displaying LDP FEC summary information”](#).
- The vc-fec option is renamed to vc option. All options that are under the show mpls ldp vc-fec command have moved under the show mpls ldp fec vc command. For more information on this command, refer to [“Displaying the LDP FEC VC information”](#).

## Displaying LDP FEC information

To display host addresses and the total number of Layer 3 prefix FECs from the LDP FEC database, enter the following command.

```
Brocade# show mpls ldp fec prefix
Total number of prefix FECs: 2
Destination      State      Out-intf      Next-hop      Ingress  Egress
10.125.125.1/32  current   e2/2          10.90.90.20   Yes      No
10.128.128.0/24  current   --            --            No       Yes
```

Syntax: show mpls ldp fec [*IPaddress* [longer] | [prefix] *IPaddress\_with\_NetMask*] [longer]

Using *IPaddress* | *IPaddress\_with\_NetMask* provides a detailed view of the specified FEC. Including the longer keyword means that when an IP address has been specified, display only the routes that match that IP address. The prefix option displays all Layer 3 FEC information.

The show mpls ldp fec prefix command displays the following information.

**TABLE 59** Output from the show mpls ldp fec prefix command

This field...	Displays...
Total number of prefix FECs	The total number of Layer 3 FECs.
Destination	The IP Prefix associated with the host address or the prefix FEC type.
State	State of the FEC which indicates the FEC advertised to any LDP session (state equal to “current”). When it has no session, it is either called “cur_no_sess” (currently no session) for local FECs or is marked “retained” for non-local FECs.
Out-intf	For an ingress FEC, this mentions the output interface to reach to the Next-hop. The Out-Intf field displays the egress interface associated with the FEC entry. When applicable, the Out-Intf field displays a VE interface specified by the <vid> variable.
Next-hop	For an ingress FEC, this mentions the nexthop IP address.
Ingress	Whether the FEC is an ingress FEC.
Egress	Whether the FEC is an egress FEC.

## Displaying information for a specified LDP FEC type

The show mpls ldp fec prefix *IPaddress\_with\_NetMask* command has changed. To display L3 FEC information for a specific FEC type, enter the following command.

```
Brocade# show mpls ldp fec prefix 10.125.125.1/32
FEC_CB: 0x29391f8c, idx: 1, type: 2, pend_notif: None
State: current, Ingr: Yes, Egr: No, UM Dist. done: No
Prefix: 10.125.125.1/32, next_hop: 10.90.90.20, out_if: e2/2

Downstream mappings:
Local LDP ID      Peer LDP ID      Label      State      CB
10.128.128.28:0  10.125.125.1:0  3           Installed  0x29391cb0(-1)
```

Table 60 lists the output displayed for show mpls ldp fec prefix command.

**TABLE 60** Output from the show mpls ldp fec prefix command

This field...	Displays...
FEC_CB	Memory address of the FEC CB.
idx	A monotonically increasing number assigned to each FEC in the LDP internal FEC tree.
type	FEC type – Prefix FEC is type 2 and Host Address is assigned type 3.
pend_notif	Any notification pending on this FEC.
State	State of the FEC which indicates the FEC advertised to any LDP session (state equal to “current”). When it has no session, it is either called “cur_no_sess” (currently no session) for local FECs or is marked “retained” for non-local.
Ingr	Whether the FEC is an ingress FEC.
Egr	Whether the FEC is an egress FEC.
UM Dist	Specifies when Upstream Mapping Distribution is complete.
Prefix	The IP Prefix associated with the host address or the prefix FEC type.
next_hop	For an ingress FEC, this mentions the next- hop IP address. When LDP selects its outgoing interface as an RSVP tunnel, the next_hop field displays the RSVP tunnel destination address.
out_if	For an ingress FEC, this mentions the output interface to reach to the Next-hop. When applicable, the Out-Intf field displays a VE interface specified by the <vid> variable.
Downstream Mappings	Contents of the downstream mapping CB created as a result of the label mapping received from the downstream LDP peer.
Local LDP ID	Local LDP ID of the LDP session to which this downstream mapping CB belongs.
Peer LDP ID	Remote LDP ID of the LDP session to which this downstream mapping CB belongs.
Label	MPLS label received from the downstream LSR.
State	State of label. Either installed or retained.
CB	Memory address of the downstream mapping CB.

## Displaying LDP FEC summary information

To display FEC summary information, enter the show mpls ldp fec summary command as shown in the following example.

```
Brocade# show mpls ldp fec summary
LDP FEC summary:
  Total number of prefix FECs: 8
  Total number of VC-FEC type 128: 0
  Total number of VC-FEC type 129: 0

LDP error statistics:
  Total number of route update processing errors: 0
  Total number of VC FEC processing errors: 0
```

Syntax: show mpls ldp fec summary

Table 61 lists the output displayed for the show mpls ldp fec summary command.



**TABLE 61** Output from the show mpls ldp fec summary command

This field...	Displays...
LDP FEC summary	Summarized information for LDP FEC.
Total number of prefix FECs	The total number of prefix FECs in the LDP FEC database.
Total number of VC-FEC type 128	The total number of VC FECs for type 128. The FEC type for VC FEC can be 128 or 129.
Total number of VC-FEC TYPE 129	The total number of VC FECs for type 129. The FEC type for VC FEC can be 128 or 129.
Total number of route update processing errors	The total number of route update processing errors for L3 FEC prefix.
Total number of VC FEC processing errors	The total number of L3 VC FEC internal processing errors.

## Displaying the LDP FEC VC information

The show mpls ldp vc-fec command is renamed to show mpls ldp fec vc command. The output from the show mpls ldp fec vc command is enhanced to show the total number of VC FECs. The total number of VC FECs is displayed in the total number of VC FECs field.

The user can display a list of VC FECs from the LDP FEC database as shown in the following example.

```
Brocade# show mpls ldp fec vc
Total number of VC FECs: 2
Peer LDP ID           State      VC-ID      VC-Type  FEC-Type  Ingress  Egress
10.125.125.1:0        current    100        4        128       Yes      Yes
10.125.125.1:0        current    1000       5        128       Yes      Yes
```

Syntax: show mpls ldp fec vc [*vc-id*]

The *vc-id* parameter provides a detailed view of the specified FEC VC.

The show mpls ldp fec vc command displays the following information.

**TABLE 62** Output from the show mpls ldp fec vc command

This field...	Displays...
Total number of VC FECs	The total number of VC FECs.
Peer LDP ID	The remote LDP ID of the peer (or local LSR) where this VC FEC is originated from.
State	The state of the FEC which indicates the FEC advertised to any LDP session (state equal to "current"). When it has no session, it is either called "cur_no_sess" (currently no session) for local FECs or marked "retained" for non-local FECs.
VC-ID	The VC ID associated with the VC FEC.
VC-Type	The VC Type associated with the VC FEC.
FEC-Type	The number that identifies the FEC type.
Ingress	Whether the FEC in an ingress FEC.
Egress	Whether the FEC in an egress FEC.

### Displaying information for a specified LDP FEC VC

The output from the show mpls ldp fec vc *vc-id* command has changed in the following:

- When a VLL or VPLS peer is up, only one FEC\_CB is displayed in the output of the show mpls ldp fec vc *vc-id* command. Previously, two FEC\_CBs were displayed in the output.
- The MTU enforcement field is introduced in the show mpls ldp fec vc *vc-id* command output. The MTU enforcement field indicates whether a MTU enforcement has been enabled. The MTU enforcement field, together with the Local MTU field and Remote MTU field indicates whether a MTU mismatch has occurred.
- When the local and remote VC types for a specified VC ID do not match, two FEC\_CBs are displayed.

The examples below describe these changes to the show mpls ldp fec vc *vc-id* command in more detail.

The following example displays VC FEC id 100 in an UP state. Since the local-mtu field and remote-mtu field both display the same MTU value of 1500 (MTU enforcement is enabled), the State field displays Installed. Local and Remote MTUs are now displayed together as part of one VC FEC\_CB as shown in the example below.

```

Brocade# show mpls ldp fec vc 100
FEC_CB: 0x29391510, idx: 6, type: 128, pend_notif: None
State: current, Ingr: Yes, Egr: Yes, UM Dist. done: Yes
VC-Id: 100, vc-type: 4, grp-id: 0
Local-mtu: 1500, remote-mtu: 1500, MTU enforcement: enabled

Downstream mappings:
Local LDP ID      Peer LDP ID      Label      State      CB
10.128.128.28:0  10.125.125.1:0  800000     Installed 0x29391328(-1)

Upstream mappings:
Local LDP ID      Peer LDP ID      Label      State      CB
10.128.128.28:0  10.125.125.1:0  800003     State      0x2939141c(-1)
    
```

The show mpls ldp vc-fec [vc-id] command displays the following information.

**TABLE 63** Output from the show mpls ldp fec command

This field...	Displays...
FEC_CB	Memory address of the FEC CB.
idx	A monotonically increasing number assigned to each FEC in the LDP internal FEC tree.
type	FEC type For VC FEC this value can be 128 or 129.
pend_notif	Any notification pending on this FEC.
State	State of the FEC which indicates the FEC advertised to any LDP session (state equal to "current"). When it has no session, it is either called "cur_no_sess" (currently no session) for local FECs or is marked "retained" for non-local FECs.
Ingr	Whether the FEC is an ingress FEC.
Egr	Whether the FEC is an egress FEC.
UM Dist. done	Specifies when Upstream Mapping Distribution is complete.
VC-Id	The VC ID associated with the VC FEC.
VC-type	The VC type associated with the VC FEC.
grp-id	The Group ID associated with the VC FEC.
Local-mtu	The local MTU for a specified VC FEC.
remote-mtu	The remote MTU for a specified VC FEC.
MTU enforcement	The user configured MTU enforcement setting that displays Enabled when a specified VC ID is up.
Downstream Mappings	Contents of the downstream mapping CB created as a result of the label mapping received from the downstream LDP peer.
Local LDP ID	Local LDP ID of the LDP session to which this downstream mapping CB belongs.
Peer LDP ID	Remote LDP ID of the LDP session to which this downstream mapping CB belongs.
Label	MPLS label received from the downstream LSR.
State	State of label. Either installed or retained.
CB	Memory address of the downstream mapping CB.
Upstream Mappings	Contents of the upstream mapping CB created as a result of the label mapping sent to the upstream LDP peer.

## 2 Displaying LDP information

**TABLE 63** Output from the show mpls ldp fec command (Continued)

This field...	Displays...
Local LDP ID	Local LDP ID of the LDP session to which this upstream mapping CB belongs.
Peer LDP ID	Remote LDP ID of the LDP session to which this upstream mapping CB belongs.
Label	MPLS label advertised to the upstream LDP LSR.
CB	Memory address of the upstream mapping CB.

The following example displays a MTU mismatch for VC ID of 100 where the VC label received from the remote peer is in a Retained state instead of an Installed state.

```
Brocade# show mpls ldp fec vc 100
FEC_CB: 0x293916f8, idx: 3, type: 128, pend_notif: None
State: current, Ingr: Yes, Egr: Yes, UM Dist. done: Yes
VC-Id: 100, vc-type: 4, grp-id: 0
Local-mtu: 2000, remote-mtu: 1500, MTU enforcement: enabled

Downstream mappings:
Local LDP ID      Peer LDP ID      Label      State      CB
10.128.128.28:0  10.125.125.1:0  800000    Retained  0x29391328(-1)

Upstream mappings:
Local LDP ID      Peer LDP ID      Label      CB
10.128.128.28:0  10.125.125.1:0  800001    0x29391604(-1)
```

The following example displays a VC type mismatch where two VC FEC\_CBs are displayed for the same VC ID of 1000. In the example, the user can see that one VC type displays 5, and the other VC type displays 11. The two VC FEC\_CBs are not associated with each other in any way. The VC type mismatch causes the VC label to display a Retained state instead of an Installed state.

```

Brocade# show mpls ldp fec vc 1000
FEC_CB: 0x29391234, idx: 5, type: 128, pend_notif: None
State: retained, Ingr: Yes, Egr: Yes, UM Dist. done: No
VC-Id: 1000, vc-type: 5, grp-id: 0, local-mtu: N/A, remote-mtu: 1500

Downstream mappings:
Local LDP ID      Peer LDP ID      Label      State      CB
10.128.128.28:0  10.125.125.1:0  983040     Retained  0x29391140(-1)

FEC_CB: 0x29391510, idx: 4, type: 128, pend_notif: None
State: current, Ingr: Yes, Egr: Yes, UM Dist. done: Yes
VC-Id: 1000, vc-type: 11, grp-id: 0
Local-mtu: 1500, remote-mtu: N/A, MTU enforcement: enabled

Upstream mappings:
Local LDP ID      Peer LDP ID      Label      CB
10.128.128.28:0  10.125.125.1:0  983041     0x2939141c(-1)

```

## Displaying the LDP packet statistics

The user can display a packet statistics for packet types and packet errors, as shown in the following.

```

Brocade# show mpls ldp statistics
                Total                               Since last clear
PacketType      Sent      Received      Sent      Received
Link Hello      215      214          215      214
Targeted Hello  138      110          138      110
Init            1         1            1         1
KeepAlive       16       18           16       18
Notification    0         0            0         0
Address         2         0            2         0
AddressWithdraw 0         0            0         0
LabelMapping    0         0            0         0
LabelRequest    0         0            0         0
LabelWithdraw   0         0            0         0
LabelRelease    0         0            0         0
LabelAbortReq   0         0            0         0

Errors          Total                               Since last clear
Rcv pkt bad pdu length      0            0
Rcv pkt bad msg length      0            0
Rcv pkt bad tlv length      0            0
Rcv pkt notify unkn tlv     0            0
Rcv pkt notify unkn addrfam 0            0
Rcv pkt missing tlv         0            0
Rcv pkt incorrect tlv      0            0
Rcv pkt malformed tlv      0            0
Rcv pkt bad traffic parm    0            0
Rcv pkt partial pdu         0            0
Rcv pkt internal error      0            0

TCP send error               0            0
TCP get send pkt error       0            0
TCP memory fail              0            0
Num of TCP socket buffers: 0
    
```

Syntax: show mpls ldp statistics

The show mpls ldp statistics command displays the following information

**TABLE 64** Output from the show mpls ldp statistics command

This field...	Displays...
PacketType	The type of LDP packet being counted.
Total	The number of the packets of the Type described for the row, sent and received since the Brocade device came up.
Since Last Clear	The number of the packets of the Type described for the row, sent and received since the last time a clear command was issued.
Errors	The type of packet error being counted. These errors are associated with the received packets only.

**TABLE 64** Output from the show mpls ldp statistics command (Continued)

This field...	Displays...
Total	The number of the errors of the Type described for the row, generated since the Brocade device came up.
Since Last Clear	The number of the errors of the Type described for the row, generated since the last time a clear command was issued.

## Clearing the LDP packet statistics

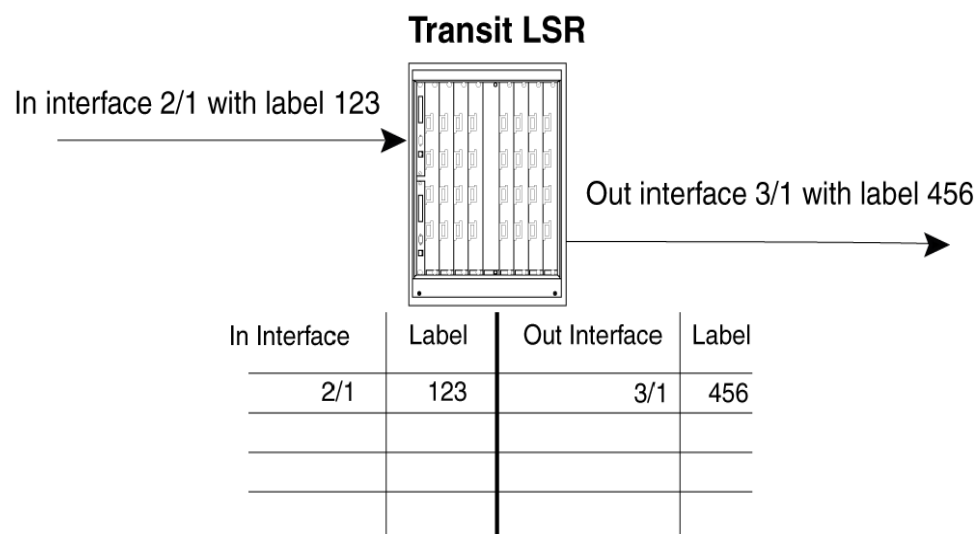
The user can clear the LDP Packet Statistics, as shown in the following commands.

```
Brocade# clear mpls ldp statistics
```

Syntax: clear mpls ldp statistics

## Sample LDP configurations

Figure 48 illustrates a sample configuration with three LDP-enabled LSRs.

**FIGURE 48** Sample LDP configuration

## Router R1

The following commands configure Router R1 in Figure 48.

```
R1(config)# interface loopback 1
R1(config-lbif-1)# ip address 10.1.1.1/32
R1(config-lbif-1)# exit
```

## 2 Sample LDP configurations

```
R1(config)# router mpls
R1(config-mpls)# mpls-interface e 2/10
R1(config-mpls)# ldp-enable
R1(config-mpls)# mpls-interface e 2/20
R1(config-mpls)# ldp-enable
R1(config-mpls)# exit
R1(config)# ip route 10.2.2.2/32 10.1.1.2
R1(config)# ip route 10.3.3.3/32 10.1.1.2
R1(config)# route-only
R1(config)# interface ethernet 2/10
R1(config-if-2/10)# enable
R1(config-if-2/10)# ip address 10.1.1.1/24
R1(config-if-2/10)# exit
R1(config)# interface ethernet 2/20
R1(config-if-2/20)# enable
R1(config-if-2/20)# ip address 10.1.1.1/24
```

### Router R2

The following commands configure Router R2 in [Figure 48](#).

```
R2(config)# interface loopback 1
R2(config-lbif-1)# ip address 10.2.2.2/32
R2(config-lbif-1)# exit
R2(config)# router mpls
R2(config-mpls)# mpls-interface e 2/10
R2(config-mpls)# ldp-enable
R2(config-mpls)# exit
R2(config)# ip route 10.1.1.1/32 10.1.1.1
R2(config)# ip route 10.3.3.3/32 10.1.1.1
R2(config)# route-only
R2(config)# interface ethernet 2/20
R2(config-if-2/20)# enable
R2(config-if-2/20)# ip address 10.1.1.2/24
R2(config-if-2/20)# exit
```

### Router R3

The following commands configure Router R3 in [Figure 48](#).

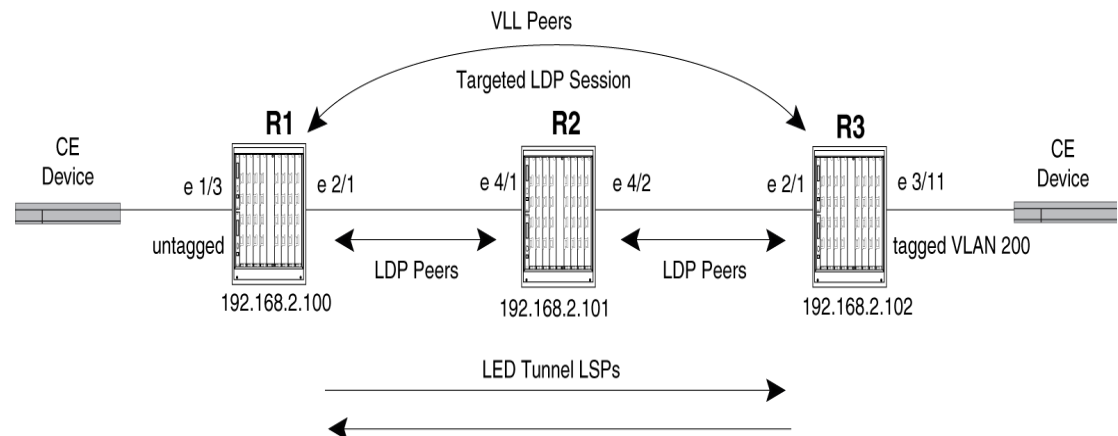
```
R3(config)# interface loopback 1
R3(config-lbif-1)# ip address 10.3.3.3/32
R3(config-lbif-1)# exit
R3(config)# router mpls
R3(config-mpls)# mpls-interface e 2/10
R3(config-mpls)# ldp-enable
R3(config-mpls)# exit
R3(config)# ip route 10.1.1.1/32 10.1.1.1
R3(config)# ip route 10.2.2.2/32 10.1.1.1
R3(config)# route-only
R3(config)# interface ethernet 2/20
R3(config-if-2/20)# enable
R3(config-if-2/20)# 10.1.1.2/24
R3(config-if-2/20)# exit
```



## Sample LDP configuration with VLL

Figure 49 illustrates a sample Virtual Leased Line (VLL) configuration that uses LDP tunnel LSPs.

FIGURE 49 MPLS VLL configuration with LDP tunnel LSPs



In this example, routers R1 and R3 are Provider Edge (PE) routers configured as VLL peers. R1 and R3 have established a targeted LDP session to exchange VLL label information. When this targeted LDP session is established, each router advertises its locally assigned VC label and VC ID to its VLL peer.

In addition, LDP sessions have been established between R1 – R2 and R2 – R3. LDP tunnel LSPs exist in each direction between R1 and R3. When the CE device forwards a Layer 2 packet to R1, the router assigns the packet to an LSP whose destination is R3. R1 encapsulates the packet as an MPLS packet, adding a tunnel label and the VC label advertised to the router by R3. The MPLS packet is then forwarded over the outbound interface indicated by the tunnel label to the next hop in the LSP.

When the MPLS packet reaches R2, the penultimate LSR in the tunnel LSP, R2 pops the tunnel label, leaving the packet with only the VC label, then forwards the packet to R3.

R3 examines the VC label in the packet. On R3, the VC label is mapped to the user-specified endpoint for the VLL. In this example, the endpoint consists of VLAN ID 200 and interface 3/11. R3 then pops the VC label, tags the Layer 2 packet with VLAN 200, then forwards the packet out interface 3/11.

In the opposite direction, R3 assigns traffic received from the CE device to a tunnel LSP destined for R1, pushes tunnel and VC labels onto the packets, and forwards them to the next hop in the LSP. When the packets reach R1, the router pops the VC label and forwards the Layer 2 packets out the interface indicated by the VLL endpoint. In this example, the endpoint consists of interface 1/3, so the packets are forwarded untagged out interface 1/3 to the CE device.

### Router R1

The following commands configure Router R1 in Figure 49.

## 2 Sample LDP configuration with VLL

```
R1(config-mpls)# interface loopback 1
R1(config-lbif-1)# port-name Generic All-Purpose Loopback
R1(config-lbif-1)# ip address 192.168.2.100/32
R1(config-lbif-1)# ip ospf area 0
R1(config-lbif-1)# exit
R1(config)# router mpls
R1(config-mpls)# mpls-interface e 2/1
R1(config-mpls)# ldp-enable
R1(config-mpls)# exit
R1(config-mpls)# vll VLL_to_R3 40000
R1(config-mpls-vll)# vll-peer 192.168.2.102
R1(config-mpls-vll)# untagged e 1/3
R1(config-mpls-vll)# exit
R1(config)# ip router-id 192.168.2.100
R1(config)# router ospf
R1(config-ospf-router)# area 0
R1(config-ospf-router)# exit
R1(config-mpls)# interface e 1/3
R1(config-if-e100-1/3)# port-name VLL_endpoint
R1(config-if-e100-1/3)# enable
R1(config-if-e100-1/3)# exit
R1(config-mpls)# interface e 2/1
R1(config-e10000-2/1)# port-name Connection_to_R2
R1(config-e10000-2/1)# enable
R1(config-e10000-2/1)# ip address 192.168.37.1/30
R1(config-e10000-2/1)# ip ospf area 0
R1(config-e10000-2/1)# exit
```

### Router R2

The following commands configure Router R2 in [Figure 49](#).

```
R2(config-mpls)# interface loopback 1
R2(config-lbif-1)# port-name Generic All-Purpose Loopback
R2(config-lbif-1)# ip address 192.168.2.101/32
R2(config-lbif-1)# ip ospf area 0
R2(config-lbif-1)# exit
R2(config)# router mpls
R2(config-mpls)# mpls-interface e 4/1 e 4/2
R2(config-mpls)# ldp-enable
R2(config-mpls)# exit
R2(config)# ip router-id 192.168.2.101
R2(config)# router ospf
R2(config-ospf-router)# area 0
R2(config-ospf-router)# exit
R2(config-mpls)# interface e 4/1
R2(config-e10000-4/1)# enable
R2(config-e10000-4/1)# ip address 192.168.40.1/30
R2(config-e10000-4/1)# ip ospf area 0
R2(config-e10000-4/1)# exit
R2(config-mpls)# interface e 4/2
R2(config-e10000-4/2)# enable
R2(config-e10000-4/2)# ip address 192.168.40.9/30
R2(config-e10000-4/2)# ip ospf area 0
R2(config-e10000-4/2)# exit
```

## Router R3

The following commands configure Router R3 in [Figure 49](#).

```
R3(config-mpls)# interface loopback 1
R3(config-lbif-1)# port-name Generic All-Purpose Loopback
R3(config-lbif-1)# ip address 192.168.2.102/32
R3(config-lbif-1)# ip ospf area 0
R3(config-lbif-1)# exit
R3(config)# router mpls
R3(config-mpls)# mpls-interface e 2/1
R3(config-mpls)# ldp-enable
R3(config-mpls)# exit
R3(config-mpls)# vll VLL_to_R1 40000
R3(config-mpls-vll)# vll-peer 192.168.2.100
R3(config-mpls-vll)# vlan 200
R3(config-mpls-vll-vlan)# tagged e 3/11
R3(config-mpls-vll-vlan)# exit
R3(config-mpls-vll)# exit
R3(config)# ip router-id 192.168.2.102
R3(config)# router ospf
R3(config-ospf-router)# area 0
R3(config-ospf-router)# exit
R3(config-mpls)# interface e 3/11
R3(config-if-e100-3/11)# port-name VLL_endpoint
R3(config-if-e100-3/11)# enable
R3(config-if-e100-3/11)# exit
R3(config-mpls)# interface e 2/1
R3(config-e10000-2/1)# port-name Connection_to_R2
R3(config-e10000-2/1)# enable
R3(config-e10000-2/1)# ip address 192.168.41.1/30
R3(config-e10000-2/1)# ip ospf area 0
R3(config-e10000-2/1)# exit
```

## MPLS over GRE tunnel

Multi-Protocol Label Switching (MPLS) packets can traverse a non-MPLS network using Label Distribution Protocol (LDP) in transit mode over a Generic Routing Encapsulation (GRE) tunnel. This method can be convenient for networks that do not require traffic engineering.

---

### NOTE

LDP ingress and egress functionality over a GRE tunnel is not supported.

---



---

### NOTE

RSVP is not supported for GRE tunnels. In the case of LDP over GRE, when the user enters the mpls-interface tunnel command, RSVP is not enabled; for other types of interfaces RSVP is enabled when the interface is configured.

---



---

### NOTE

All LDP enabled interfaces must have the same IP MTU. Otherwise, when LDP is enabled on lower MTU interfaces, existing Hello adjacencies flap once to negotiate the LDP MAX PDU size with the peers.

---

**NOTE**

Do not forward packets from one type of tunnel to another type of tunnel in XPP. Packets may not be routed properly.

**NOTE**

MP switchover event may not be handled properly by MPLS or RSVP module. This may result in inconsistent state for RSVP LSPs sessions. This could be fixed by adding support for RSVP Hello feature.

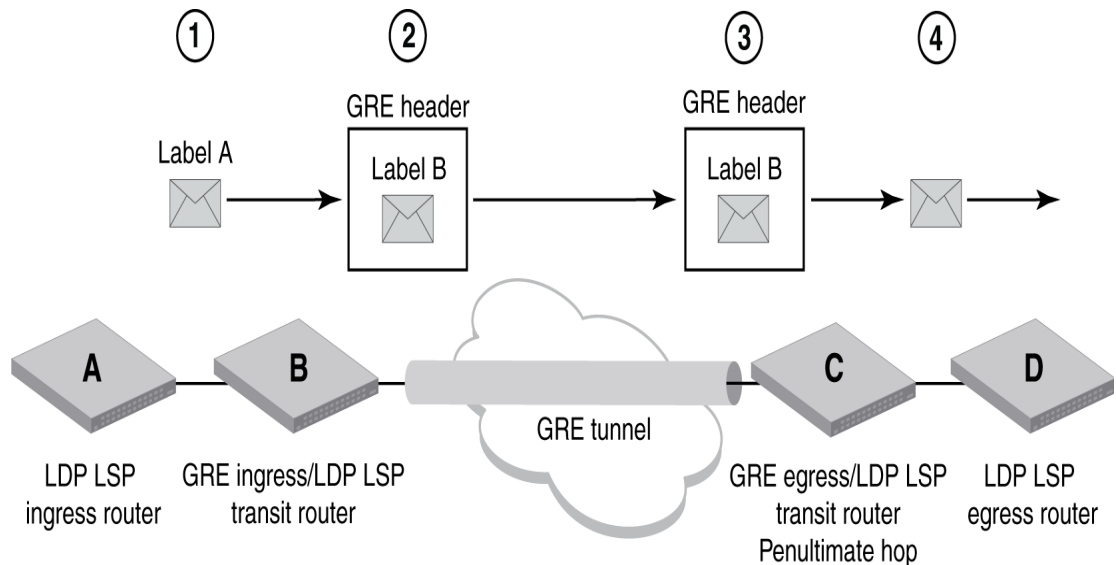
### LDP LSP over GRE tunnel

This feature works when a GRE tunnel connects two LDP LSP transit nodes and all LDP sessions establish with each peer. Figure 50 shows four routers:

- Routers A and D represent the LDP LSP ingress and LDP LSP egress router.
- Routers B and C represent the LDP LSP transit and GRE ingress and egress points.

The LDP LSP ingress router passes a labeled packet to the GRE ingress and LDP LSP transit router (1), which switches the label, encapsulates the packet and adds a GRE header (2). The packet goes through the GRE tunnel (3). Next, the GRE egress and LDP LSP transit router removes the GRE header, pops the label, and then forwards the packet to the LDP LSP egress router (4).

**FIGURE 50 LDP LSP over GRE tunnel example**



The letters A, B, C, and D in Figure 50 represent the names of the routers in the code configuration example.

### Redundant tunnels

The user can configure multiple GRE tunnels between two nodes using a loopback address or an interface address as the source or destination address. In GRE tunnel configuration, the same source and destination combination cannot be used for more than one GRE tunnel.

When multiple GRE tunnels exist between two nodes with LDP enabled on them, multiple LDP hello adjacencies establish between those nodes. Even though multiple hello adjacencies form, each LDP session is based on an LSR-ID, so only one session is maintained between those two nodes. This scenario is treated the same as multiple links between two nodes with LDP enabled on them.

When the user creates multiple GRE tunnels to the same destination, each can have its own hello timeout and hello interval. These parameters apply on a per interface basis and apply to the corresponding GRE tunnels. The hello timeout must be at least twice the hello interval. These parameters can be set using the `ldp-params` command found at the MPLS interface configuration level of the command prompt. To modify the hello interval, see [“Setting the LDP Hello interval values”](#).

## Equal Cost Multipath Routing

Equal cost multipath (ECMP) is supported for LDP; and ECMP members can be a combination of GRE tunnels, RSVP tunnels, and regular IP interfaces. When a GRE tunnel is an ECMP member, the packets flowing through the GRE tunnel are encapsulated with a GRE header; the LDP label appears below the level of the GRE header as shown in [Figure 50](#).

## LDP VPLS over a GRE tunnel

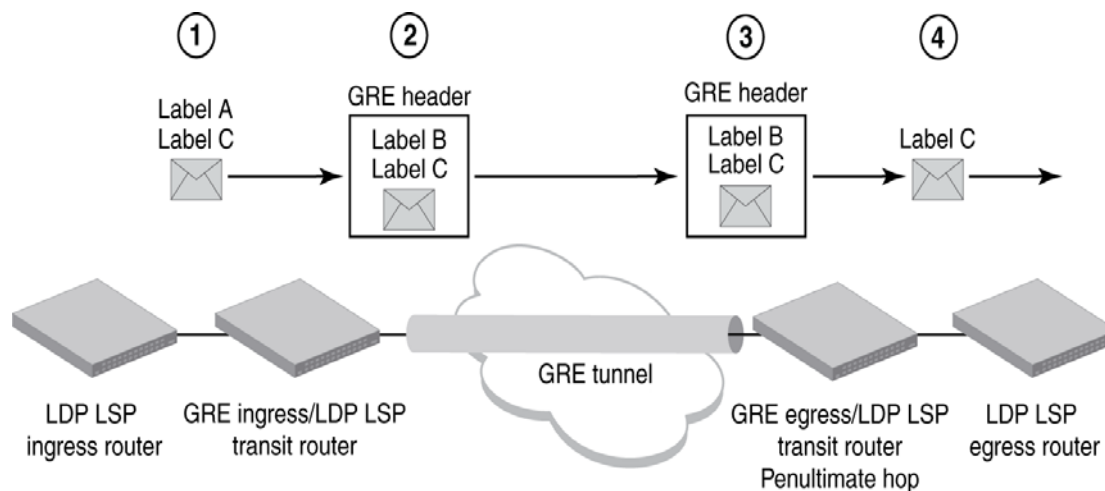
Within a Virtual Private LAN Service (VPLS) LDP LSPs can carry VPLS traffic over a core network by exchanging VPN labels through LDP targeted sessions with each VPLS peer. [Figure 51](#) shows VPLS traffic in one direction. Four routers are required for this configuration:

- The two outer routers represent the VPLS Provider’s Edge (PE) ingress and VPLS PE egress router.
- The two inner routers represent the LDP LSP transit and GRE ingress and egress points.

The VPLS PE ingress router passes a packet labeled and marked with a VPN label to the GRE ingress and LDP LSP transit router (1), which switches the label, encapsulates the packet, and then labels the encapsulated packet with a GRE header (2). The packet goes through the GRE tunnel (3). Next, the GRE egress and LDP LSP transit router removes the GRE header, pops the label, and then forwards the packet with its unaffected VPN label to the VPLS PE egress router (4).

Label popping occurs on the penultimate hop.

**FIGURE 51** LDP VPLS over a GRE tunnel example



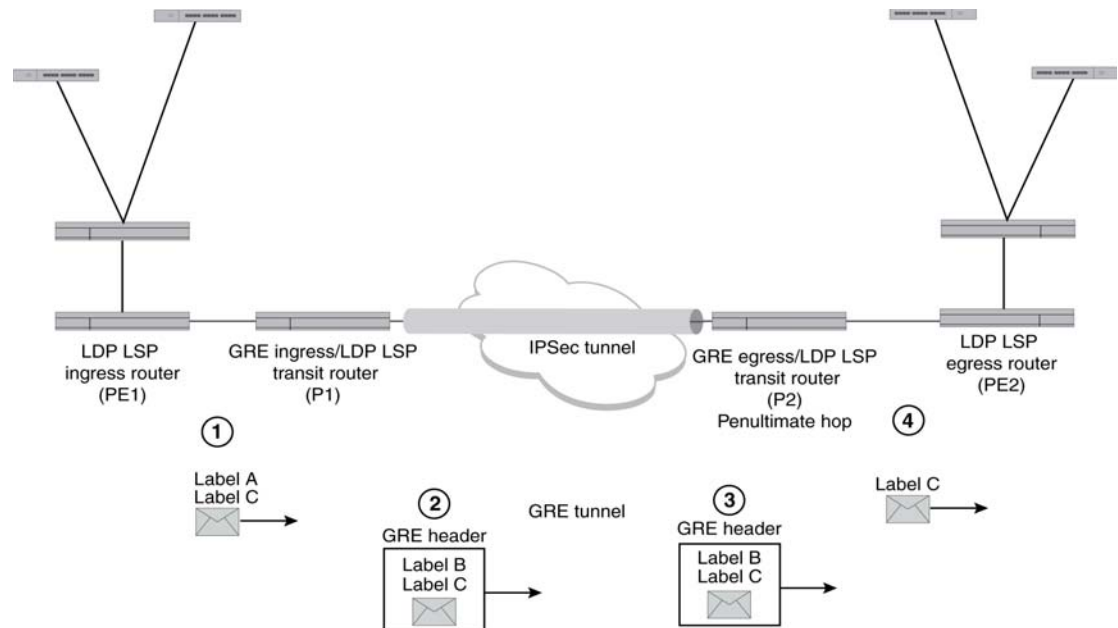
## LDP over a GRE tunnel within an encrypted network

Figure 52 shows an implementation of LDP/MPLS over GRE over an encrypted network. Traffic is forced through a non-MPLS network because of the mandatory encrypted network that traffic must cross.

Customer equipment (CE) is connected to PE1 and PE2. PE1 and PE2 negotiate VPLS labels, and an LDP tunnel is created between PE1 and PE2. MPLS traffic is not supported between P1 and P2. LDP transit traffic passes through a GRE tunnel between P1 and P2. Traffic exiting P1 is encrypted and is sent into the non-MPLS cloud. Traffic received at P2 is already decrypted.

In this scenario, LDP transit over GRE tunnel is configured on the P1 and P2 nodes.

**FIGURE 52 LDP over GRE with encryption present in network**



## Configuration example

To configure MPLS over a GRE tunnel, first enable an interface as an MPLS interface, and then configure the MPLS tunnel and enable LDP.

```
Brocade(config)# router mpls
Brocade(config-mpls)# mpls-interface e1/1
Brocade(config-mpls-if-e1000-1/1)# ldp-enable
Brocade(config-mpls-if-e1000-1/1)# mpls-interface tunnel 200
Brocade(config-mpls-if-e1000-1/1)# ldp-enable
```

Syntax: `mpls-interface tunnel tunnel-id`

The `tunnel-id` variable is a number between 1 and 8192 (the default value is 256). The maximum number of GRE tunnels for the system can be changed by entering the `system-max gre-tunnels` command.

Syntax: `system-max gre-tunnels number`

## Router A configuration

Router A is the LDP LSP ingress router. The user needs to configure a routing instance, which in this example is OSPF. Next, the user configures the loopback address, the Ethernet interface, and then the MPLS tunnel with LDP enabled. See [Figure 50](#).

## 2 MPLS over GRE tunnel

```
router ospf
  area 0
interface loopback 1
  enable
  ip ospf area 0
  ip address 10.1.1.1/32
interface ethernet 1/1
  enable
  ip ospf area 0
  ip address 10.11.11.1/24
router mpls
  mpls-interface e1/1
  ldp-enable
```

### Router B configuration

Router B is the LDP LSP transit router and the GRE tunnel ingress router. The user needs to configure an OSPF routing instance. Next, the user configures the loopback address, the Ethernet interface, and then the GRE tunnel. Lastly, the user configures MPLS and enable LDP. See [Figure 50](#).

```
router ospf
  area 0
interface loopback 1
  enable
  ip ospf area 0
  ip address 10.2.2.2/32
interface ethernet 1/1
  enable
  ip ospf area 0
  ip address 10.11.11.2/24
interface ethernet 1/2
  enable
  ip ospf area 0
  ip address 10.22.22.1/24
interface tunnel 200
  tunnel mode gre ip
  tunnel source 10.2.2.2
  tunnel destination 10.3.3.3
  ip ospf area 0
  ip address 10.80.80.1/24
router mpls
  mpls-interface e1/1
  ldp-enable
mpls-interface tunnel 200
  ldp-enable
```

### Router C configuration

Router C is the LDP LSP transit router and the GRE tunnel egress router. The user needs to configure an OSPF routing instance. Next, the user configures the loopback address, the Ethernet interface, and then the GRE tunnel. Lastly, the user configures MPLS and enable LDP. See [Figure 50](#).

```
router ospf
  area 0
```



```

interface loopback 1
    enable
    ip ospf area 0
    ip address 10.3.3.3/32
interface ethernet 1/1
    enable
    ip ospf area 0
    ip address 10.22.22.2/24
interface ethernet 1/2
    enable
    ip ospf area 0
    ip address 10.33.33.1/24
interface tunnel 200
    tunnel mode gre ip
    tunnel source 10.3.3.3
    tunnel destination 10.2.2.2
    ip ospf are 10.80.80.2/24
router mpls
    mpls-interface e1/2
    ldp-enable
mpls-interface tunnel 200
    ldp-enable

```

## Router D configuration

Router D is the LDP LSP egress router. The user needs to configure an OSPF routing instance. Next, The user configures the loopback address, the Ethernet interface, and then the MPLS tunnel with LDP enabled. See [Figure 50](#).

```

router ospf
area 0
interface loopback 1
    enable
    ip ospf area 0
    ip address 10.4.4.4/32
interface ethernet 1/1
    enable
    ip ospf area 0
    ip address 10.33.33.2/24
router mpls
    mpls-interface e1/1
    ldp-enable

```

## Deleting a GRE tunnel configuration

A GRE tunnel configured as an MPLS interface cannot be directly deleted. First, the user must delete the GRE tunnel from the mpls-interface configuration, and then the user can delete the GRE tunnel.

## Viewing MPLS over GRE information and statistics

The user can view configuration information and various statistics about MPLS over GRE.

The user can view the tunnel interface administrative and operational state by entering the show mpls interface tunnel command.

```

Brocade# show mpls interface tunnel 200

```

## 2 MPLS over GRE tunnel

```
gre-tnl200
Admin: Up Oper: Up
```

Syntax: show mpls interface tunnel *tunnel-id*

---

### NOTE

Traffic parameters do not apply to GRE.

---

The user can view the LDP tunnel interface configuration information, such as the hello interval and timeout, by entering the mpls ldp interface tunnel command. The user can include a tunnel ID to retrieve specific information.

Syntax: show mpls ldp interface tunnel [*tunnel-id*]

```
Brocade# show mpls ldp interface tunnel 200
gre-tnl200, label-space ID: 0
Nbr count: 1
Hello interval: 5 sec, next hello: 0 sec
Hello timeout: 15 sec
Router#show mpls ldp interface
Label-space  Nbr      Hello      Next
Interface    ID        Count      Interval  Hello
e1/1         0         1          5         0 sec
gre_tnl200   0         1          5         2 sec
(targeted)   0         0          0         --
```

The user can view the details of an LDP neighbor by entering the show mpls ldp neighbor command. To view more detail, enter the detail keyword.

Syntax: show mpls ldp neighbor [detail]

```
Brocade# show mpls ldp neighbor
Nbr Transport      Interface      Nbr LDP ID      Max Hold  Time Left
10.1.1.1           e1/1           10.1.1.1:0      15        12
10.3.3.3           gre-tnl200     10.3.3.3:0      15        12

Router# show mpls ldp neighbor detail
Nbr Transport Addr: 10.1.1.1, Interface: e1/1, Nbr LDP ID: 10.1.1.1:0
MaxHold: 15 sec, Time Left: 10 sec, Up Time: 18 hr 12 min 55 sec

Nbr Transport Addr: 10.3.3.3, Interface: gre-tnl200, Nbr LDP ID: 10.3.3.3:0
MaxHold: 15 sec, Time Left: 10 sec, Up Time: 18 hr 12 min 55 sec
```

The user can view MPLS LDP path information by entering the show mpls ldp path command.

The show mpls ldp path command has been enhanced to have a filter for path prefix. The path prefix can be either the IPv4 host address or the IPv4 prefix with subnet mask. Output of the CLI with the path prefix filter displays a single path entry for a specified path IP prefix.

```

Brocade# show mpls ldp path
Destination route      Upstr-session(label)    Downstr-session(label, intf)
10.2.2.2/32            10.1.1.1:0(3)          10.1.1.1:0(3, e1/2)
10.1.1.1/32            10.1.1.1:0(3, e1/1)    10.1.1.1:0(3, e1/2)
10.3.3.3/32            10.3.3.3:0(5050)       10.4.4.4:0(2057,gre-tn1200)

Brocade# show mpls ldp path 10.22.22.22
Destination route      Upstr-session(label)    Downstr-session(label, intf)
10.22.22.22/32        10.44.44.44:0(1024)    10.22.22.22:0(3, e2/3 (Trunk11))

Brocade# show mpls ldp path 10.33.33.33/32
Destination route      Upstr-session(label)    Downstr-session(label, intf)
10.33.33.33/32        10.44.44.44:0(1025)    10.44.44.44:0(1024, ve55)
10.22.22.22:0(1041, e2/3 (Trunk11))

```

Syntax: show mpls ldp path [path-ip-address [ip-mask]]

The user can view a prefix list by entering the show mpls ldp fec prefix command.

```

Brocade# show mpls ldp fec prefix
Total number of prefix FECs: 3
Destination      State      Out-intf      Next-hop      Ingress  Egress
10.2.2.2/32     current   --            --            No       Yes
10.1.1.1/32     current   e1/2          10.22.22.22  Yes      No
                e1/1          10.11.11.11
10.3.3.3/32     current   gre-tn1200    10.33.33.33  No       No

```

Syntax: show mpls ldp fec prefix

The user can view the MPLS RSVP state and settings by entering the show mpls rsvp interface command.

---

#### NOTE

MP switchover event may not be handled properly by MPLS/RSVP module. This may result in inconsistent state for RSVP LSPs/Sessions. This could be fixed by adding support for RSVP Hello feature.

---

```

Brocade# show mpls rsvp interface
Interface State MD5 Auth
e1/1 Up OFF
e1/2 Up OFF

```

Syntax: show mpls rsvp interface

## Commands

The following commands support the features described in this chapter:

- [label-withdrawal-delay](#)

## 2 Commands

- `lsp-id A.B.C.D`
- `show mpls lsp`
- `show mpls lsp fec prefix`

## label-withdrawal-delay

Delays sending a label withdrawal message for a FEC to a neighbor. in order to allow the IGP and LDP to converge. The no form of this command restores the default behavior.

Syntax	label-withdrawal-delay secs no label-withdrawal-delay secs				
Command Default	The label withdrawal delay timer is enabled. The delay period is 60 seconds.				
Parameters	secs  Specifies the delay period for the label withdrawal delay timer in seconds. The range is 0 - 300. The default is 60.				
Command Modes	Router mpls-ldp subconfiguration mode				
Usage Guidelines	Setting the secs variable to 0 disables the feature for subsequent events. Setting the secs variable to a value in the range 1 - 300, updates the configured value. When you use the [no] form of the command to restore the default behaviour, the value you specify for the secs variable must match the configured value at the time that the no form of the command is executed.				
Examples	The following example sets the label withdrawal delay timer to 30 seconds. <pre>Brocade(config-mpls-ldp)# label-withdrawal-delay 30</pre> The following example restores the command default behaviour when the delay period is already configured as 30 seconds, <pre>Brocade(config-mpls-ldp)# no label-withdrawal-delay 30</pre> The following example disables the label withdrawal delay timer. <pre>Brocade(config-mpls-ldp)# label-withdrawal-delay 0</pre>				
History	<table> <thead> <tr> <th>Release</th> <th>Command history</th> </tr> </thead> <tbody> <tr> <td><i>Multi-Service IronWare R05.5.00</i></td> <td>This command was introduced.</td> </tr> </tbody> </table>	Release	Command history	<i>Multi-Service IronWare R05.5.00</i>	This command was introduced.
Release	Command history				
<i>Multi-Service IronWare R05.5.00</i>	This command was introduced.				
Related Commands					

## lsr-id A.B.C.D

The `lsr-id A.B.C.D` command enables the feature and sets your configured IP address for the feature. The `[no]` form of the command reverts the LSR-ID selection process back to the default behavior, which is the current implementation.

Syntax `lsr-id A.B.C.D`

Command default `[no] lsr-id A.B.C.D`

Parameters `A.B.C.D`

This is the value set by you to be used as LSR-ID for LDP protocol.

Modes This command operates in sub-configuration LDP command mode under the MPLS configuration (`config-mpls-ldp`).

Usage guidelines When the `[no]` form of the command is executed and LDP protocol is in enabled state, it continues with same LSR-ID because the IP address selected as LSR-ID for LDP protocol is still valid and is the operationally UP IP address on an enabled loopback interface. When, at the time of disabling the feature, LDP protocol is in disabled state (this happens when the loopback interface on which IP address is configured is in the disabled state), the system falls back to default behavior which tries to enable LDP protocol when it finds a valid IP address on any one of the enabled loopback interfaces.

In order to disable the feature, you should specify the exact IP address during configuration of the feature.

Example

```
Brocade(config)# router mpls
Brocade(config-mpls)# ldp
Brocade(config-mpls-ldp)# [no] lsr-id A.B.C.D

Brocade(config-mpls-ldp)# lsr-id 10.20.20.20
Brocade(config-mpls-ldp)# no lsr-id 10.20.20.20
```

### History

Release	Command history
NetIron R05.5.00	Command is introduced.

Related commands None.

## ldp enable

When the feature is disabled, the output of the command continues to be as it is in the 5.40 release implementation. In this case, the feature is configured and LDP is down because the LSR-ID configured is not available on any loopback interface. The output of the command informs you that the LDP is not initialized and LSR-ID is configured by you. The [no] option removes LDP on an MPLS interface, including LDP on an MPLS VE interface.

Syntax [no] ldp-enable

Command default None.

Parameters None.

Modes Sub-configuration mode, (config-mpls-if-e1000-1/1)

### Usage guidelines

Example `Brocade(config-mpls-if-e1000-1/1)#ldp-enable`  
**LDP not initialized.(LSR-id A.B.C.D is not configured on any loopback interface)**

### History

Release	Modification
NetIron R05.5.00	The output of the command informs you that the LDP is not initialized and LSR-ID is configured by you.

Related commands None.

## 2 show mpls config

### show mpls config

Displays mpls configuration information.

Syntax show mpls config

Parameters None

Command User EXEC mode

Modes Privileged EXEC mode

Global configuration mode

Examples The following example displays the mpls configuration:

```
Brocade# show mpls config
router mpls
  policy
    traffic-eng isis level-2
    ingress-tunnel-accounting
  ldp
    label-withdrawal-delay 30
    session 10.7.7.2 key 2 $LSFVPW9iIQ==
    session 10.7.7.3 key 2 $LSFVPW9iIQ==

  bfd
    min-tx 50 min-rx 50 multiplier 3
mpls-interface e3/3
  ldp-enable
  admin-group 2

mpls-interface e3/17
  rsvp-authentication 2 key $LSFVPW9iIQ==
  ldp-enable
```

#### History

Release	Command History
---------	-----------------

<i>Multi-Service IronWare R05.5.00</i>	This command was enhanced to display the label withdrawal delay setting.
----------------------------------------	--------------------------------------------------------------------------

Related  
Commands



## show mpls ldp

Displays the inbound FEC-filter configuration.

Syntax show mpls ldp

Parameters None

Command Modes  
User EXEC mode  
Privileged EXEC mode  
Global configuration mode

Command Output The show mpls ldp command displays the following information:

Output field	Description
Label Distribution Protocol version	The LDP version.
LSR ID	The identifier of the device and the loopback interface number the LDP uses. LDP advertises the address of this loopback interface in address messages.
Hello interval	How often the device sends out LDP link hello and targeted hello messages.
Hold time value sent in Hellos	How long the device waits for its LDP peers to send a hello message. The hold time is included in the link hello and targeted hello messages it sends out to its LDP peers.
Hold time multiple	The number of KeepAlive messages not received before declaring a session is down.
KeepAlive interval	The number of seconds between successive KeepAlive messages send for an LDP session.
Keepalive timeout	
Inbound FEC filtering prefix-list	This gives the name of the prefix-list configured in the LDP for inbound FEC filtering.
Graceful restart	Provides the show GR setting and the status of the forwarding state hold timer with the remaining time when it is running.
Label Withdrawal Delay	How long the device waits before sending a label withdrawal message for a FEC to a neighbor

## 2 show mpls ldp

**Examples** The following example displays the inbound FEC-filter configuration:

```
Brocade# show mpls ldp
Label Distribution Protocol version 1
  LSR ID: 10.122.122.122, using Loopback 1 (deleting stops LDP)
  Hello interval: Link 5 sec, Targeted 15 sec
  Hold time value sent in Hellos: Link 15 sec, Targeted 45 sec
  Keepalive interval: 10 sec, Hold time multiple: 3 intervals
  Keepalive timeout: 30
  Inbound FEC filtering prefix-list: list-abc
  Tunnel metric: 0
  FEC used for auto discovered peers: current 129, configured 129
  Label Withdrawal Delay: 30s
  Graceful restart: disabled
    Reconnect time: 0 seconds, Max peer reconnect time: 120 seconds
    Recovery time: 0 seconds, Max peer recovery time: 120 seconds
    Forwarding state holding timer: not running
  Label Withdrawal Delay: 30s
```

### History

#### Release

#### Command history

*Multi-Service IronWare R05.5.00* This command was enhanced to display the label withdrawal delay setting.

**Related  
Commands** None.

## show mpls ldp fec prefix

Displays prefix FEC information from the LDP FEC database.

Syntax `show mpls ldp fec prefix [{IPaddress | IPaddress/mask-length}]`

Parameters *IPaddress* (Optional) Specifies the display of L3 FEC information for a specific FEC IP address.

*IPaddress/mask-length* (Optional) Specifies the display of L3 FEC information for a specific IP address and subnet mask length.

Command Modes  
User EXEC mode  
Privileged EXEC mode  
Global configuration mode

Command Output The show mpls ldp prefix command displays the following information:

Output field	Description
Total number of prefix FECs	The total number of Layer 3 FECs.
Total number of prefix FECs with LWD timer running	The total number of FECs which currently have the label withdrawal delay timer running
Destination	The IP Prefix associated with the host address or the prefix FEC type.
State	State of the FEC which indicates the FEC advertised to any LDP session (state equal to "current"). When it has no session, it is either called "cur_no_sess" (currently no session) for local FECs or is marked "retained" for non-local FECs.
Out-intf	For an ingress FEC, this mentions the output interface to reach to the Next-hop. The Out-Intf field displays the egress interface associated with the FEC entry. When applicable, the Out-Intf field displays a VE interface specified by the <vid> variable.
Next-hop	For an ingress FEC, this mentions the nexthop IP address.
Ingress	Whether the FEC is an ingress FEC.
Egress	Whether the FEC is an egress FEC.

The show mpls ldp prefix command displays the following information for a specific IP address:

Output field	Description
FEC_CB	Memory address of the FEC CB.
idx	A monotonically increasing number assigned to each FEC in the LDP internal FEC tree.
type	FEC type – Prefix FEC is type 2 and Host Address is assigned type 3.
pend_notif	Any notification pending on this FEC.
State	State of the FEC which indicates the FEC advertised to any LDP session (state equal to "current"). When it has no session, it is either called "cur_no_sess" (currently no session) for local FECs or is marked "retained" for non-local.
Ingr	Whether the FEC is an ingress FEC.

## 2 show mpls ldp fec prefix

Output field	Description
Egr	Whether the FEC is an egress FEC.
UM Dist	Specifies when Upstream Mapping Distribution is complete.
Prefix	The IP Prefix associated with the host address or the prefix FEC type.
Label Withdrawal Delay	Label withdrawal delay state.
Time Remaining	Time remaining on the label withdrawal delay timer in seconds.
next_hop	For an ingress FEC, this mentions the next-hop IP address. When LDP selects its outgoing interface as an RSVP tunnel, the next_hop field displays the RSVP tunnel destination address.
out_if	For an ingress FEC, this mentions the output interface to reach to the Next-hop. When applicable, the Out-Intf field displays a VE interface specified by the <vid> variable.
Downstream Mappings	Contents of the downstream mapping CB created as a result of the label mapping received from the downstream LDP peer.
Local LDP ID	Local LDP ID of the LDP session to which this downstream mapping CB belongs.
Peer LDP ID	Remote LDP ID of the LDP session to which this downstream mapping CB belongs.
Label	MPLS label received from the downstream LSR.
State	State of label. Either installed or retained.
CB	Memory address of the downstream mapping CB.

**Examples** The following example displays prefix FEC information from the LDP FEC database:

```
Brocade# show mpls ldp fec prefix
Total number of prefix FECs: 31
Total number of prefix FECs with LWD timer running: 10
Destination      State      Out-intf      Next-hop      Ingress  Egress
11.11.11.11/32   current   --            --            No       No
42.42.42.29/32   retained  --            --            No       No
```

The following example displays prefix FEC information for IP address 16.16.16.16:

```
Brocade# show mpls ldp fec prefix 16.16.16.16
FEC_CB: 0x2d9029d4, idx: 6, type: 2, pend_notif: None
State: current, Ingr: Yes, Egr: No, UM Dist. done: No
Prefix: 16.16.16.16/32
Label Withdrawal Delay: Active: Time Remaining: 10s
next_hop: 56.56.1.16, out_if: e1/1

Downstream mappings:
(*) indicates delayed processing for this DM
Local LDP ID      Peer LDP ID      Label State      CB
15.15.1.15:0     16.16.16.16:0   3    Installed*     0x2d8ba878

Upstream mappings:
Local LDP ID      Peer LDP ID      Label      CB
15.15.1.15:0     14.14.14.14:0   100       0x2d8ba878
```

### History

Release	Command history
---------	-----------------

Multi-Service IronWare R05.5.00	This command was enhanced to display label withdrawal delay information
---------------------------------	-------------------------------------------------------------------------

Related  
Commands    None.

## 2 show run

### show run

The show run command shows the configuration of the feature with the configured IP address when it is enabled.

Syntax	show run				
Command default	None.				
Parameters	None.				
Modes	User EXEC mode.				
Command output	<table><thead><tr><th>Output field</th><th>Description</th></tr></thead><tbody><tr><td>run</td><td>Displays the current running configuration.</td></tr></tbody></table>	Output field	Description	run	Displays the current running configuration.
Output field	Description				
run	Displays the current running configuration.				
Example	<pre>Brocade# show run  router mpls   policy     traffic-eng ospf    ldp     lsr-id 10.2.2.2    mpls-interface e1/1     enable    interface e1/2     enable    lsp 2     to 10.20.20.20     enable    vpls vpls 1     vpls-peer 10.2.2.2     multicast passive     multicast tracking  end of MPLS configuration</pre>				
History	<table><thead><tr><th>Release</th><th>Modification</th></tr></thead><tbody><tr><td>Netron R05.5.00</td><td>Shows the configuration of the feature with the configured IP address when it is enabled.</td></tr></tbody></table>	Release	Modification	Netron R05.5.00	Shows the configuration of the feature with the configured IP address when it is enabled.
Release	Modification				
Netron R05.5.00	Shows the configuration of the feature with the configured IP address when it is enabled.				
Related commands	None.				



## 2 show run



# Configuring MPLS Virtual Private LAN Services

## Overview

This chapter explains how to configure Virtual Private LAN Services (VPLS). VPLS is a method for carrying Layer 2 frames between customer edge (CE) devices across an MPLS domain. The implementation supports VPLS as described in the IETF RFC 4762 (Virtual Private LAN Services over MPLS Using LDP Signaling).

### NOTE

VPLS endpoints can be configured on a Foundry Discovery Protocol (FDP) enabled interface.

Table 65 displays the individual devices and the Virtual Private LAN Services (VPLS) features they support.

**TABLE 65** Supported Virtual Private LAN Services (VPLS) features

Feature supported	Brocade NetIron XMR Series	Brocade MLX Series	Brocade NetIron CES 2000 Series BASE package	Brocade NetIron CES 2000 Series ME_PREM package	Brocade NetIron CES 2000 Series L3_PREM package	Brocade NetIron CER 2000 Series Base package	Brocade NetIron CER 2000 Series Advanced Services package
Virtual Private LAN Services (VPLS)	Yes	Yes	No	Yes	No	No	Yes
Per-VPLS MAC Table Limit	Yes	Yes	No	Yes	No	No	Yes
Maximum Number of MAC Entries for a VPLS instance	Yes	Yes	No	Yes	No	No	Yes
LSP to Reach a Peer within a VPLS instance	Yes	Yes	No	Yes	No	No	Yes
LSP Load Balancing for VPLS Traffic	Yes	Yes	No	No	No	No	No
VPLS load balancing for LER	Yes	No	No	No	No	No	No
Dual tag support for VPLS and Local VPLS	Yes	Yes	No	No	No	No	No
VPLS Broadcast/Multicast/Unknown-Unicast Packet Limiting	Yes	Yes	No	No	No	No	No
Flooding Layer2 BPDUs in VPLS	Yes	Yes	No	Yes	No	No	Yes
VPLS Tagged mode	Yes	Yes	No	No	No	No	No

**TABLE 65** Supported Virtual Private LAN Services (VPLS) features (Continued)

Feature supported	Brocade Netron XMR Series	Brocade MLX Series	Brocade Netron CES 2000 Series BASE package	Brocade Netron CES 2000 Series ME_PREM package	Brocade Netron CES 2000 Series L3_PREM package	Brocade Netron CER 2000 Series Base package	Brocade Netron CER 2000 Series Advanced Services package
VPLS Raw Pass Through Mode	Yes	Yes	Yes	Yes	Yes	Yes	Yes
VPLS CPU Protection	Yes	Yes	No	No	No	No	No
VLAN Translation	Yes	Yes	No	Yes	No	No	Yes
VPLS MTUs	Yes	Yes	No	Yes	No	No	Yes
Dynamic LAG support for VPLS endpoints	Yes	Yes	No	Yes	No	No	Yes
Flooding Layer 2 BPDUs with a VPLS Instance	Yes	Yes	No	Yes	No	No	Yes
VPLS MTU Enforcement	Yes	Yes	No	Yes	No	No	Yes
VPLS Local Switching	Yes	Yes	No	Yes	No	No	Yes
MPLS VPLS Traps	Yes	Yes	No	Yes	No	No	Yes
Disabling Syslog Messages for MPLS VPLS	Yes	Yes	No	Yes	No	No	Yes
Local VPLS	Yes	Yes	No	Yes	No	No	Yes
VC label allocation managed by MPLS	Yes	Yes	No	Yes	No	No	Yes
VPLS LDP	Yes	Yes	No	Yes	No	No	Yes
VPLS FID sharing	Yes	Yes	No	Yes	No	No	Yes
Extended Counters support for VPLS	Yes	Yes	No	No	No	No	No
VPLS VLL Raw Mode Interoperability Extensions	Yes	Yes	No	Yes	No	No	Yes
Configurable VPLS MAC Aging Timer	Yes	Yes	Yes	Yes	Yes	Yes	Yes

**NOTE**

MPLS cannot be configured on the system globally when a NI-MLX-10Gx8-D card is installed.

## How VPLS works

Virtual Private LAN Services (VPLS) enhances the point-to-point connectivity defined in the Draft-Martini IETF documents by specifying a method for virtual circuits (VCs) to provide point-to-multipoint connectivity across the MPLS domain, allowing traffic to flow between remotely connected sites as if the sites were connected by a Layer 2 switch.

VPLS can be used to transport Ethernet frames to and from multiple, geographically dispersed sites belonging to a customer Virtual Private Network (VPN). The Provider Edge (PE) devices connecting the customer sites provide functions similar to a Layer 2 switch. The PE devices learn the MAC addresses of locally connected customer devices, flood broadcast and unknown unicast frames to other PE devices in the VPN, and create associations between remote MAC addresses and the VC Label Switch Patches (LSPs) used to reach them.

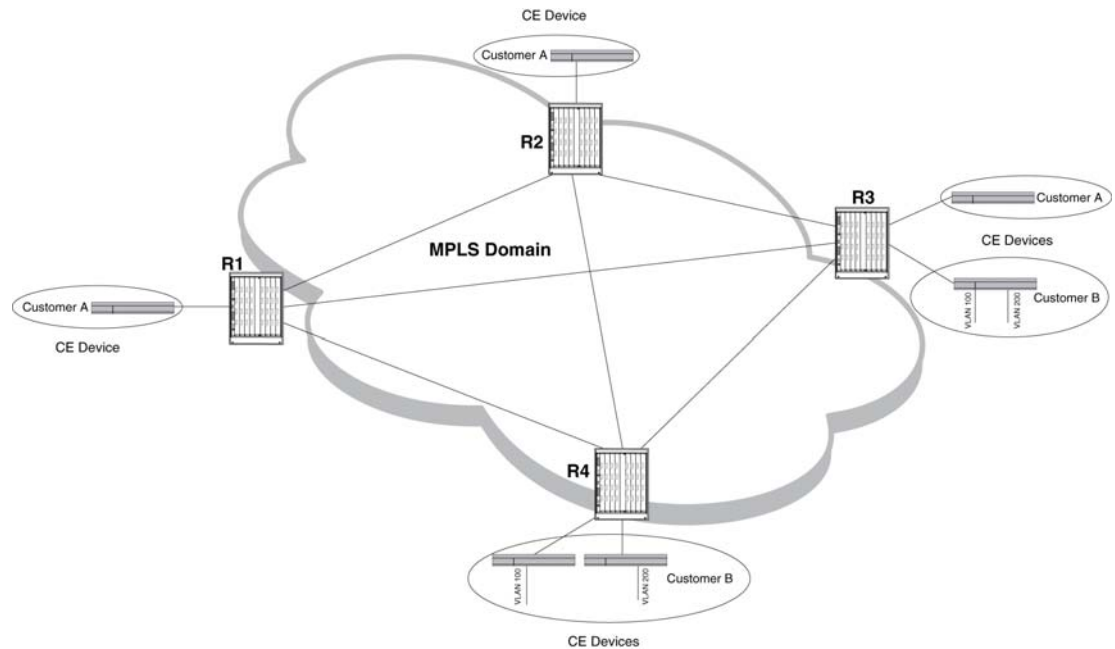
Figure 53 shows an illustration of a VPLS configuration with two customer VPNs. Two separate VPLS instances have been created, one for Customer A's VPN and one for Customer B's VPN. A VPLS instance consists of a full mesh of VC LSPs between the customers' PE devices. In the example, Customer A's VPLS instance consists of VC LSPs between routers R1, R2, and R3. Customer B's VPLS instance consists of VC LSPs between routers R3 and R4. Because VC LSPs are unidirectional, separate VC LSPs exist in each direction between each of the PE devices. When Label Distribution Protocol (LDP) is enabled on the MPLS interfaces on the PE devices, the VC LSPs are established automatically through LDP when the user specifies the VPLS peers on the PE devices.

Alternatively, LSPs can be established using Resource ReSerVation Protocol- Traffic Engineering (RSVP-TE) by manually configuring LSPs to all PE devices. The same LSP from one PE to another PE can be shared by multiple VPLS instances for traffic belonging to different customers. In this case, traffic belonging to different customers has the same tunnel label, but different VC labels. When more than one LSP exists from one PE to another PE for multiple VPLS instances, traffic belonging to the different VPLS instances are load-balanced across the LSPs. In this case, traffic belonging to the different VPLS instances has different tunnel and VC labels.

In Figure 53, the VPLS instance for Customer A links its CE devices so that they appear to be a single Layer 2 broadcast domain. The VPLS instance for Customer B has two VLANs configured within the VPLS instance, VLAN 100 and VLAN 200. The VPLS instance for Customer B has two endpoints on PE device R4. Unlike a Virtual Leased Line (VLL), a VPLS instance can have multiple endpoints. The PE device performs local and remote VLAN tag translation, so that multiple VLANs are specified under a single VPLS instance.

**FIGURE 53 Sample VPLS configuration**

### 3 How VPLS works



A PE device in the VPLS configuration operates like a standard Layer 2 switch, in that it performs MAC address learning, flooding, and forwarding for the CE devices in each VPLS instance. For example, when PE device R1 receives a Layer 2 frame with a given MAC destination address from Customer A's CE device, it looks up the MAC address in a Layer 2 forwarding table that records associations between MAC addresses and VC LSPs. This forwarding table is known as the *VPLS MAC database*.

When the MAC address is found in the VPLS MAC database, the PE device finds the associated VC LSP, encapsulates the frame as an MPLS packet, and pushes an inner VC label and outer tunnel label onto the packet. The packet is then sent over a tunnel LSP to the VC peer. When the MAC address is not found in the VPLS MAC database, the frame is flooded to all of the PE devices and locally connected CE devices (except for the CE device that originated the frame) in the customer's VPLS instance. When a response is received, an entry for the MAC address and the VC from which it arrived is added to the VPLS MAC database. Subsequent frames targeting the MAC address are not flooded to the other devices in the VPLS instance. In this way, the PE device learns the MAC addresses of the remotely connected customer devices. MAC addresses received at the local VPLS endpoints are also learned in the VPLS MAC database for the VPLS instance.

The PE devices do not run Spanning Tree Protocol (STP) over the MPLS domain. The full mesh of PE devices in a VPLS configuration allows one PE device to reach any other PE device in the VPN in exactly one hop, with no transit PE devices in between. The PE devices apply a split horizon rule when forwarding frames within the VPN. When a PE receives a customer frame from a VC LSP, it can forward the frame only to a directly attached customer device, not to another VC LSP. This allows the VPLS instance to have a loop-free topology without having to run STP.

---

#### NOTE

In releases prior to NetIron Release 03.7.00, packets that arrive on an interface with the same destination MAC address as the interface are not subject to transparent VLAN flooding for Layer 2 switching, VPLS local switching, or VLL local switching. Beginning with NetIron Release 03.7.00, these packets are forwarded in hardware just like packets with other destination addresses.

---

---

**NOTE**

On Brocade NetIron CES and Brocade NetIron CER devices, the route-only command must not be configured on untagged MPLS uplinks when using it for VPLS or VLL. Otherwise, incoming VPLS or VLL traffic is dropped.

---

**NOTE**

The Brocade NetIron CES and NetIron CER devices can only support 127 endpoints + peers in a VPLS instance.

---

## Configuring VPLS instances

This section explains how to set up VPLS instances.

### Limitations

- In Brocade NetIron CES and Brocade NetIron CER devices, a CoS value configured during VPLS instance creation is not used in the back-end. However, in Brocade NetIron XMR and Brocade MLX series devices, the configured CoS value is carried in the MPLS label EXP field in case of ingress PE.
- In Brocade NetIron CES and Brocade NetIron CER devices, the customer PCP/DSCP in the outgoing packets through customer endpoint is replaced with the VCB Label EXP bits in the MPLS packet. Therefore, PCP/DSCP bits cannot be preserved end-to-end.
- When more than 1000 VPLS instances, that share the same endpoint, are configured and mapped to a single functional port; the functional port goes down and flaps certain protocols like BFD & UDLD for shorter durations.

## Creating a VPLS instance

The user creates a VPLS instance by entering VPLS configuration statements on two or more PE routers. The endpoints of a VPLS instance are associated by having the same VPLS Virtual Circuit Identifier (VCID) on each PE router.

To create a VPLS instance, enter commands such as the following.

```
Brocade(config)# router mpls
Brocade(config-mpls)# vpls v1 100
Brocade(config-mpls-vpls-v1)#
```

On the VPLS peers (when they are devices), the user would enter commands such as the following.

```
Brocade(config)# router mpls
Brocade(config-mpls)# vpls v1 100
Brocade(config-mpls-vpls-v1)#
```

Syntax: `vpls name / vpls-vcid [cos cos-value] [max-mac max-mac-entries]`

The `vpls name` variable specifies the VPLS instance name.

The `vpls-vcid` variable is the VPLS ID number of the VPLS instance. The `vpls-vcid` variable can take a value in the range of 1 through 4294967294.

The user can optionally specify a Class of Service (CoS) setting for the VPLS instance. When a CoS value is set, the device selects a tunnel LSP that also has the CoS value when one is available. When no tunnel LSP with this CoS value is available, the device selects a tunnel LSP with the highest configured CoS value (although never higher than the CoS setting for the VPLS instance). The CoS value has a range from 0 through 7.

## Setting a per-VPLS MAC table limit

In previous versions of the Multi-Service IronWare software, the user could set the maximum size of the VPLS MAC database and set a soft limit on the amount of memory resources available for each VPLS from the VPLS MAC database. While this soft limit helped optimize the amount of resources for each VPLS instance, it did not restrict an individual instance of a VPLS from learning more entries than the amount set for the specified VPLS instance. In practice, it would allow an instance to grow its individual entries up to the amount available in the VPLS MAC database. Under these circumstances, an individual VPLS instance could consume all of the resources and starve other VPLS instances.

The user can configure a maximum number of MAC entries that can be learned for a specified VPLS instance. This number cannot be exceeded. This limit can be configured at any time, although operation is more robust when the user configures the limit at the same time that the user configures the VPLS instance.

Configuring the maximum number of MAC entries for a VPLS

To configure a maximum number of MAC entries available to a VPLS instance, enter commands such as the following.

```
Brocade(config)# router mpls
Brocade(config-mpls)# vpls v1 100 max-mac 3000
```

Syntax: `vpls name / vpls-vcid [cos cos-value] [max-mac max-mac-entries]`

The *name* variable is the name of the VPLS instance for which the user is configuring the maximum number of MAC entries.

The *vpls-vcid* variable is the VPLS ID number of the VPLS instance for which the user is configuring the maximum number of MAC entries. The *vpls-vcid* variable can take a value in the range of one through 4294967294.

The user can optionally specify a Class of Service (CoS) setting for the VPLS instance. When a CoS value is set, the device selects a tunnel LSP that also has this CoS value, when one is available. When no tunnel LSP with this CoS value is available, the device selects a tunnel LSP with the highest configured CoS value (although never higher than the CoS setting for the VPLS instance). The CoS value has a range from zero through seven.

The *max-mac-entries* variable specifies the maximum number of MAC entries that can be learned for the VPLS instance. The *max-mac-entries* value can range from one to global VPLS MAC database size.

## Specifying the maximum size of the VPLS MAC database

The VPLS MAC database serves as a Layer 2 forwarding table that associates local MAC addresses with CE devices and remote MAC addresses with VC LSPs used to reach the remote CE devices. By default, the VPLS MAC database can contain a total of 2048 entries on a Brocade MLX series device and 8192 entries on a Brocade NetIron XMR device. This number represents the total number of MAC addresses that can be learned for all VPLS instances configured on the device.

The user can globally specify a different maximum size for the VPLS MAC database by entering a command such as the following.

```
Brocade(config)# system-max vpls-mac 4096
```

Syntax: `system-max vpls-mac number-of-entries`

---

### NOTE

The user must reload the system for the `system-max vpls-mac` command to take effect.

---

## VPLS LDP MAC Address Withdrawal

For faster VPLS convergence, the user can remove or unlearn the MAC addresses that are learned dynamically. The Label Distribution Protocol (LDP) Address Withdrawal message is sent with the list of MAC addresses, which need to be withdrawn to all other PEs that are participating in the corresponding VPLS service.

The MAC address withdrawal feature is added through the LDP Address Withdrawal message. To enable the MAC address withdrawal feature, use the `mac-address withdrawal` command. By default, MAC address withdrawal is disabled.

Configuration considerations:

- This configuration is not applicable for PBB enabled VPLS Instances.

## 3 Configuring VPLS instances

- ON CCEP ports, MAC withdrawal messages are sent only when both local and remote links of the CCEP goes down.
- On a MCT standby switch, the LDP MAC withdrawal messages are sent to the active switch on MCT spoke PW and the MCT active switch relays the LDP messages to all the active PWs.

### Configuring MAC address withdrawal globally

Use the `mac-address withdrawal` command at the global configuration mode to enable sending LDP MAC address withdrawal messages to all VPLS instances.

```
Brocade(config-mpls)# vpls-policy
Brocade(config-mpls-vpls-policy)# mac-address withdrawal
```

Syntax: `[no] mac-address withdrawal`

### Configuring MAC address withdrawal per VPLS instance

Use the `mac-address withdrawal` command at the interface configuration mode to enable sending LDP MAC address withdrawal messages to specific VPLS instances.

```
Brocade(config-mpls)# vpls sample1
Brocade(config-mpls-vpls-sample1)# mac-address withdrawal
```

### Limiting the number of MACs withdrawn

Use the `mac-address withdrawal-limit` command at the global configuration mode to limit the number of MAC's withdrawn to all VPLS instances in a five second interval.

```
Brocade(config-mpls)# vpls-policy
Brocade(config-mpls-vpls-policy)# mac-address withdrawal-limit
```

Syntax: `[no] mac-address withdrawal-limit`

Use the `mac-address withdrawal-limit num` command at the global configuration mode to specify the number of MACs withdrawn to all VPLS instances in a five second interval.

```
Brocade(config-mpls)# vpls-policy
Brocade(config-mpls-vpls-policy)# mac-address withdrawal-limit 1000
```

Syntax: `[no] mac-address withdrawal-limit num`

The `num` parameter can be a value between 100-2000. Default value is 500.

## Clearing the contents of the VPLS MAC database

To clear the entries stored in the VPLS MAC database belonging to a VPLS instance, enter a command such as the following.

```
Brocade# clear mac vpls name vl
```

Syntax: `clear mac vpls name name | id vpls-vcid | ethernet portnum | label label`



The name *name* parameter clears all entries associated with the named VPLS instance.

The id *vpls-vcid* parameter clears all entries associated with the specified VPLS VCID.

The ethernet *portnum* parameter clears all local MAC entries on the specified port.

The label *label* parameter clears all entries associated with a local VC label.

## Specifying the maximum number of VPLS instances on the device

By default, the maximum number of VPLS instances is 512 on a Brocade MLX series device and 2048 on a Brocade NetIron XMR device. The configured maximum number of VPLS instances has an effect on the size of the label range for each VPLS instance. The label range is the set of labels that the VPLS instance can assign to its peers for use as the peer's local VC label.

The product of the maximum number of VPLS instances and the label range is always equal 65536. This means that when the maximum number of VPLS instances is 2048, then the label range is 32; when the maximum number of VPLS instances is 8192, then the label range is eight; and so on.

To change the maximum number of number of VPLS instances to 8192, enter the following command.

```
Brocade(config)# system-max vpls-num 8192
```

Syntax: system-max vpls-num *number-of-VPLS-instances*

---

### NOTE

The user must reload the system for this command to take effect.

---

The user can display the configured maximum number of VPLS instances, as well as the size of the label range, with the show mpls vpls summary command.

## Specifying VPLS peers

---

### NOTE

Starting with netIron Release 04.0.00, the implementation of *BGP-based auto-discovery for VPLS* (also called *VPLS auto-discovery*) eliminates the need for manual configuration of VPLS peers for every VPLS instance configured on the device.

---

As part of the VPLS configuration, the user specifies the IP address of each VPLS peer. VPLS requires a full mesh of tunnel LSPs; each PE router must have tunnel LSP reachability to each of its VPLS peers. Tunnel LSP reachability is defined as having at least one operational RSVP- or LDP-signalled LSP with the destination (the "to" address of the LSP) matching the VPLS peer's IP address. An LSP terminating on the VPLS peer but configured with a different destination address would not be considered a match.

## 3 Configuring VPLS instances

By default, each PE router attempts to initiate an LDP session through extended discovery with its VPLS peers, when a session is not already established. Each VPLS instance is allocated a range of 32 labels. The PE router assigns one label in the range to each of its peers to be used as the peer's local VC label. When there are more than 32 peers in the VPLS instance, an additional label range is automatically allocated to the VPLS instance. The size of the label range depends on the configured maximum number of VPLS instances on the device. Refer to [“Specifying the maximum number of VPLS instances on the device”](#) for more information.

Once the LDP session is established, the PE device advertises the local VC label, along with the VPLS ID, to its VPLS peers in a downstream-unsolicited manner. In a similar way, the PE also learns the remotely assigned VC labels from its VPLS peers.

To specify three remote VPLS peers within a VPLS instance, enter a command such as the following.

```
Brocade(config-mpls-vpls-v1)# vpls-peer 192.168.2.100 192.168.2.101 192.168.2.102
```

Syntax: `vpls-peer ip-addr [ip-addr...]`

The IP address of each VPLS peer must match that of a destination for a tunnel LSP configured on the device.

### Setting the VPLS VC mode

The Brocade devices support the following VPLS VC modes, which determine whether or not VLAN tags are carried across the MPLS cloud:

- Raw mode – This is the default VC mode. When this mode is in effect, the VLAN tag information in the original payload *is not* carried across the MPLS cloud
- Tagged mode – When tagged mode is enabled, the VLAN tag information in the original payload is carried across the MPLS cloud

### VPLS raw mode

By default, VPLS packets are sent to remote peers over the MPLS cloud in *raw mode*. This means that no VLAN tag information in the payload is carried across the MPLS cloud. In raw mode, the VLAN priority (Class of Service) of the original (incoming) packets is lost once the packets are sent through the cloud.

---

#### NOTE

When desired, the user can enable the device to preserve the VLAN tag information in the payload and carry it across the MPLS cloud to remote peers. For more information, see [“VPLS tagged mode”](#).

---

CoS behavior for VPLS raw mode

---

#### NOTE

This section assumes that the user understands how QoS works.

---

The system level command `extended-qos-mode` and interface level command `qos pcp encode-policy off` for NetIron CES and NetIron CER affects the existing QoS behavior for raw mode in VPLS. It is advisable to use only either raw mode or raw-pass-through-mode for all VPLS instance in a system for NetIron CES and NetIron CER.

Table 66 describes the expected Class of Service (CoS) behavior for VPLS packets when VPLS raw mode is in effect.

**TABLE 66** Expected class of service behavior for VPLS raw mode

VPLS endpoints	Incoming packet		MPLS cloud		Outgoing packet	
	Outer VLAN	Inner VLAN	Tunnel/VC label (Z)	Payload tag	Outer VLAN	Inner VLAN
Dual-tagged to dual-tagged	X	Y	V or internal priority	N/A	W or Z	Z
Single-tagged to dual-tagged	X	N/A				Z
Untagged to dual-tagged	N/A	N/A				Z
Dual-tagged to single-tagged	X	Y				N/A

#### Legend for Table 66

V = Mapped EXP bits from internal priority (X contributes to internal priority) using the EXP encode table.

W = Mapped CoS from internal priority (Z contributes to internal priority) using the CoS encode table.

X = Original outer VLAN CoS.

Y = Original inner VLAN CoS.

Z = Incoming EXP bits as described by the *Tunnel / VC label* column = V or internal priority.

- The *Tunnel/VC label* column differentiates the behavior when qos exp encode policy is ON (default) or OFF.
- The *Outgoing packet Outer VLAN* column differentiates the behavior when qos pcp encode policy is ON (default) or OFF.

## VPLS raw pass through mode

By default, VPLS packets are sent to remote peers over the MPLS cloud in raw mode. This means that no VLAN tag information in the payload is carried across the MPLS cloud. In raw mode, the VLAN priority (Class of Service) of the original (incoming) packets is lost once the packets are sent through the cloud.

Although Brocade implementation follows RFC 4448 in terms of how raw mode and tagged mode operates, Brocade devices occasionally cannot interoperate with certain VPLS vc raw mode third party equipment that has interpreted RFC 4448 differently.

When a third party device remote peer is connected to a Brocade device, and it was identified under raw mode, the remote peer may expect the presence of the tag in the packet it received from its MPLS uplink. It may also send the payload tag towards its remote peer when sending packets by way of the MPLS uplink towards the Brocade device peer. This causes the two peers to not communicate correctly.

### 3 Configuring VPLS instances

Single tag to single tag packet tag handling into or from the MPLS uplink with raw-pass-through mode with ports configured as untagged.

Using the raw pass through option enables the user to configure the VC mode to interoperate between third party devices. The raw pass through option allows the user to:

1. Select the raw-pass-through mode which behaves like a tagged mode when all endpoints are configured as tagged endpoints.
2. Select the raw mode which behaves like an untagged mode when all endpoints are configured as untagged endpoints.
3. Select raw mode when all endpoints are configured as untagged endpoints even though the peers continue to signal the PW VC -type as raw mode.

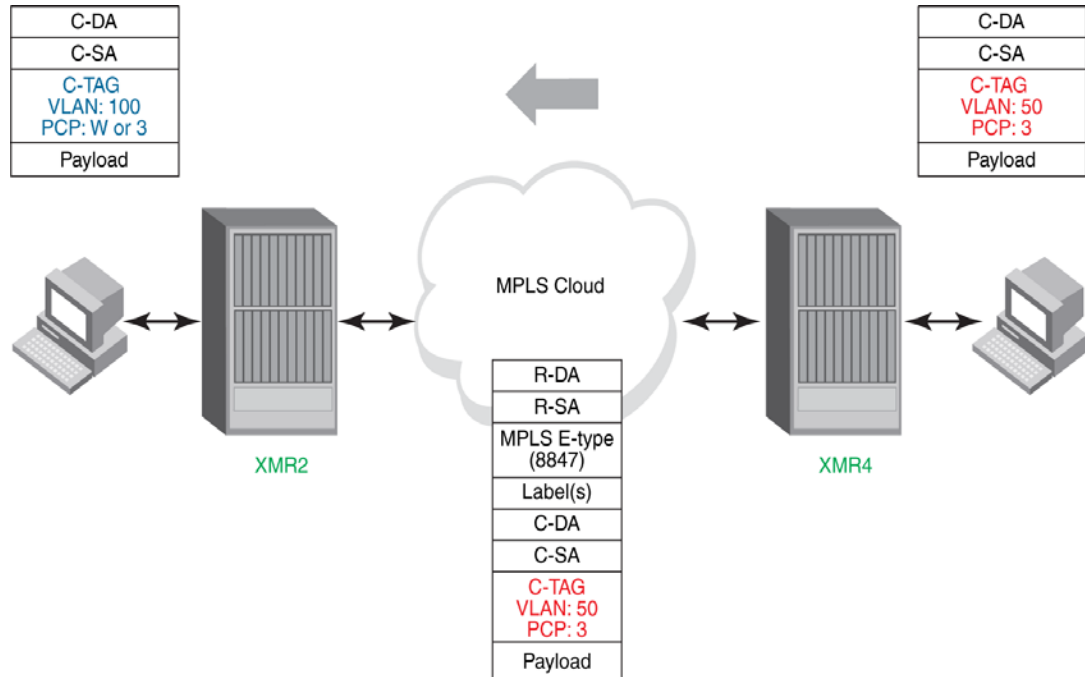
#### Difference in behavior between devices

Figure 67 describes the behavioral differences of the Brocade devices.

**TABLE 67** Difference in behavior between devices

Behavior	Brocade MLX and Netron XMR	Netron CES and Netron CER
QoS Command Configuration	QoS Commands must be configured at egress interface.	QoS Commands must be configured at Ingress interface.
Carrying PCP end to end in raw-pass-through mode	The qos pcp encode-policy off command must be configured at VPLS end point interface.	The user must: <ol style="list-style-type: none"> <li>1 Configure qos pcp encode-policy off at ingress PE for VPLS end point interface.</li> <li>2 Configure qos pcp encode-policy off at the egress PE for MPLS interface.</li> </ol>
Carrying DSCP end to end in raw-pass-through mode	By Default DSCP is carried end to end.	Configure the extended-qos-mode at the egress PE.
Carrying both PCP and DSCP end to end in raw-pass-through mode	The qos pcp encode-policy off command must be configured at VPLS end point interface.	The user must: <ol style="list-style-type: none"> <li>Configure qos pcp encode-policy off at ingress PE for VPLS end point interface.</li> <li>Configure extended-qos-mode at egress PE.</li> </ol>

FIGURE 54 Sample configuration



### Interoperability with third party devices

This section assumes that the user understands how QoS works.

Third party device to Brocade device

Table 66 describes the expected Class of Service (CoS) behavior for VPLS packets when VPLS raw pass through mode is in effect.

TABLE 68 Expected class of service behavior for VPLS raw pass through mode (third party device to Brocade device)

VPLS endpoints	Incoming packet		MPLS cloud		Outgoing packet	
	Outer VLAN	Inner VLAN	Tunnel/VC label (Z)	Payload tag	Outer VLAN	Inner VLAN
Double-tag to Double-tag	X	Y	Vendor specific	X,Y	W or X	X
Single-tag to Double-tag	X	N/A	Vendor specific	X	W or X	X
Single-tag to Single-tag	X	N/A	Vendor specific	X	W or X	N/A
Untag to Untag	Any	Any	Vendor specific	Any	N/A	N/A
Double-tag to Single Tag	X	Y	Vendor specific	X,Y	W or X	N/A

### 3 Configuring VPLS instances

#### Legend for Table 66

W = Mapped CoS from internal priority (Z contributes to internal priority) using the CoS encode table.

X = Original outer VLAN CoS.

Y = Original inner VLAN CoS.

Z = Incoming EXP bits as described by the *Tunnel or VC label column = V or internal priority*.

The or option in the Tunnel/VC label column is to differentiate when qos exp encode policy is on (default) or off.

The or option in the Outgoing Outer VLAN column is to differentiate when qos pcp encode policy is on (default) or off.

Third party device VC mode is set to RAW mode

#### Brocade device to third party devices

Table 69 describes the expected Class of Service (CoS) behavior for VPLS packets when VPLS raw pass through mode is in effect from a Brocade device to third party device.

**TABLE 69** Expected class of service behavior for VPLS raw pass through mode (Brocade device to third party device)

VPLS endpoints	Incoming packet		MPLS cloud		Outgoing packet	
	Outer VLAN	Inner VLAN	Tunnel/VC label (Z)	Payload tag	Outer VLAN	Inner VLAN
Double-tag to Double-tag	X	Y	V or internal priority	Y	Vendor specific(X)	Vendor specific(Y)
Single-tag to Double-tag	X	N/A	V or internal priority	X	Vendor specific(X)	Vendor specific (N/A)
Single-tag to Single-tag	X	N/A	V or internal priority	X	Vendor specific(X)	Vendor specific (N/A)
Untag to Untag	Any	Any	V or internal priority	Any	Vendor specific (N/A)	Vendor specific (N/A)
Double-tag to Single Tag	X	Y	V or internal priority	Y	Vendor specific(X)	Vendor specific(Y)

#### Legend for Table 69

X = Original outer VLAN CoS.

Y = Original inner VLAN CoS.

Z = Incoming EXP bits as described by the *Tunnel / VC label column = V or internal priority*.

Third party device VC mode is set to RAW mode

### Specifying the VPLS VC type

The default VC type for all VPLS instances is set to 0x5 or “Ethernet”. For compatibility with previous versions, the VC type can be changed to 0xB or “Ethernet VPLS”. The VC type must match between peers for the VPLS session to be established.

To change the VPLS VC type, use the following command at the MPLS configuration level.

```
Brocade(config-mpls)# vpls-vc-type-ethernet-vpls
```

VPLS VC type is 0xB (Ethernet VPLS) after the user saves to config and reboots.

Syntax: [no] vpls-vc-type-ethernet-vpls

The default is raw mode.

### Configuration Considerations

- When the VPLS instance is configured with the raw pass through mode, all of its local endpoints must be either all untagged or all tagged. No intermix of modes is allowed.
- Whenever the VC mode configuration changes, whether it is from raw to raw pass through or vice versa, the VC for all the peers is torn down and then re-binds even though the actual VC-Type remains the same.

## Configuring VPLS raw pass through mode

This section describes how to enable, disable, and view the configuration details of VPLS raw pass through mode.

### Enabling VPLS raw pass through mode

To enable VPLS raw pass through mode, the user must first create the VPLS instance. When the VPLS instance does not already exist, then enter commands such as the following at the MPLS VPLS configuration level of the CLI.

```
Brocade(config-mpls)# vpls test 100
Brocade(config-mpls-vpls-test)# vc-mode raw-pass-through
```

Syntax: [no] vc-mode raw-pass-through

When the VPLS instance already has mixed endpoints configured, or the VC mode is already configured as raw pass through and an attempt to add a different type of endpoint then what it already contains, the following error message is displayed.

```
"Error: All endpoints under raw-pass-through must be all untagged or all tagged."
```

### Disabling VPLS raw-pass-through mode

Except for VPLS instances on which ISID is configured, use the no vc-mode raw-pass-through command to disable VPLS raw pass through mode.

```
Brocade(config-mpls)# vpls test 100
```

## 3 Configuring VPLS instances

```
Brocade(config-mpls-vpls-test)# no vc-mode raw-pass-through
```

For VPLS instances with an ISID configuration, first remove the ISID configuration, then disable VPLS raw-pass-through mode.

When the user attempts to disable VPLS raw pass through mode on a VPLS instance with ISID, the system displays the following error message.

```
Brocade(config-mpls-vpls-test)# no vc-mode raw-pass-through
Error - Cannot remove tagged-mode setting while VPLS ISID configuration exists
```

Syntax: [no] vc-mode raw-pass-through

For information on displaying the raw mode configuration, refer to [“Displaying the VPLS raw pass through mode configuration”](#)

### Configuration example

The following is an example output of a running configuration with VPLS raw pass through mode configured.

```
router mpls
vpls test 100
vc-mode raw-pass-through
vpls-peer 10.100.100.100
vlan 100 inner-vlan 45
tag e 2/1
vpls name_raw 3
vpls-peer 10.200.200.200
vlan 300 inner-vlan 500
tagged ethe 3/1 ethe 3/11 ethe 3/13
vpls vctagged 200
vc-mode tagged
vpls-peer 10.300.300.300
vlan 200
tag e 2/2
```

## VPLS tagged mode

VPLS tagged mode enables the preservation of the VLAN tag information in the payload. In VPLS tagged mode, the VLAN priority of the original (incoming) packets is carried across the MPLS cloud to remote peers.

By default, VPLS packets are sent across the MPLS cloud in raw mode. To use VPLS tagged mode, enable it per VPLS instance on both sides of the communicating edge routers. When this feature is enabled, the VLAN tag is determined as follows:

- When the original packet has one VLAN tag, the payload tag is the (outer) VLAN tag of the original packet
- When the original packet has dual VLAN tags, the payload tag is the inner VLAN tag of the original packet
- When the original packet is untagged, the payload tag is the configured VLAN on the VPLS untagged endpoint, and the CoS is zero



- When the original packet has an I-component Service Identifier (ISID) tag, the payload tag is the unmodified ISID tag

For more information about CoS behavior for VPLS tagged mode, see [Table 70](#).

VPLS tagged mode must be enabled on both sides of the communicating edge routers. When the VPLS VC type does not match, the remote peer does not transition into operational state. Because each remote peer has its own operational state, the impact may differ from one remote peer to another, depending on its current state. The remote peer state can be categorized into two general categories, as follows:

- *Remote peer in operational state* – When the remote peer is in operational state, a VC withdraw message and a new VC bind message is sent to the remote peer to tear down the current VC binding and to communicate the new VC type, respectively. This scenario assumes that the remote router is also a Brocade device running the same code level. The VC tear-down and re-bind should cause the remote peer to transition its peer state to “VC Parameter Check” state, because its own VC type is now mismatched with that of the new VC type received. Once the same tagged mode configuration is also applied to the remote router, the peer state for both routers should transition into operational state. As part of the VC tear-down, the hardware forwarding entries on the Interface module (LP) is cleaned up. When the peer transitions to operational state, its hardware forwarding entries is reprogrammed based on its tagged mode setting.
- *Remote peer not in operational state* – The category indicates that the VC has not yet been formed with the VPLS peer on the remote router. Remote peers may be in this category for many reasons (for example, “No local port defined”, “No Tunnel”, “No LDP Session”, “VC Parameter Check”, and so on). In this scenario, there is no need to tear down the VC binding. When the VPLS tagged mode configuration changes, most of the peers in this category does not change their operational state or perform any actions triggered by this configuration change. For remote peers that are in the state “VC Parameter Check” state because of a VC type mismatch, the configuration change triggers the sending of a VC bind message with the new VC type to the remote router. When the remote peer’s VC type becomes compatible due to this configuration change and there is no other VC parameter mismatch, then the state of the remote peer transitions to the operational state.

To enable VPLS tagged mode, see “[Configuring VPLS tagged mode](#)”.

CoS behavior for VPLS tagged mode

---

**NOTE**

This section assumes that the user understands how QoS works.

---

[Table 70](#) describes the expected Class of Service (CoS) behavior for VPLS packets when VPLS tagged mode is enabled.

### 3 Configuring VPLS instances

**TABLE 70** Expected class of service behavior for VPLS tagged mode

VPLS endpoints	Incoming packet		MPLS cloud		Outgoing packet	
	Outer VLAN	Inner VLAN	Tunnel/VC label (Z)	Payload tag	Outer VLAN	Inner VLAN
Dual-tagged to dual-tagged	X	Y	V or internal priority	Y	W or Y	Y
Single-tagged to dual-tagged	X	N/A		X	W or X	X
Untagged to dual-tagged	N/A	N/A		O	W or O	O
Dual-tagged to single-tagged	X	Y		Y	W or Y	N/A

#### Legend for Table 70

V = Mapped EXP bits from internal priority (X contributes to internal priority) using the EXP encode table.

W = Mapped CoS from internal priority (Z contributes to internal priority) using the CoS encode table.

X = Original outer VLAN CoS.

Y = Original inner VLAN CoS.

Z = Incoming EXP bits as described by the *Tunnel / VC label* column = V or internal priority.

- The *Tunnel/VC label* column differentiates the behavior between when qos exp encode policy is ON (default) or OFF
- The *Outgoing Packet Outer VLAN* column differentiates the behavior between when qos pcp encode policy is ON (default) or OFF

## QoS for VPLS traffic

By default, packets travelling through an MPLS domain are treated equally from a QoS standpoint, in a best effort manner. However, when a Layer 2 packet has an internal priority in its 802.1q tag, or the LSP or VPLS to which the packet is assigned has a configured Class of Service (COS) value, QoS can be applied to the packet in the MPLS domain. The internal priority or COS value is mapped to a value in the EXP field of the packet's MPLS header. The value in the EXP field is then mapped to an internal forwarding priority, and the packet is sent to the hardware forwarding queue that corresponds to the internal forwarding priority.

## QoS for VPLS traffic at the ingress LER

The following methods can be used to provide QoS to packets entering a VPLS:

- Use the COS value assigned to the tunnel LSP used to reach the VPLS peer.

When a tunnel LSP has a user-configured COS value, all packets in all VPLS travelling through the tunnel LSP receive the same QoS.

- Use the COS value assigned to the VPLS.

The VPLS COS is a configurable option. Show commands will display the COS if it is configured. If the COS value it is not configured, the show commands will not display any COS value.

When a COS value is set for the VPLS, the device selects a tunnel LSP that also has this COS value, when one is available. When no tunnel LSP with this COS value is available, the device selects a tunnel LSP with the highest configured COS value (although never higher than the COS setting for the VPLS).

When the selected tunnel LSP does not have a COS value, the VPLS configured COS value is used to provide QoS. The VPLS COS value is mapped to a value in the EXP field. This allows traffic multiple VPLS using a single tunnel LSP, traffic from each VPLS can receive different QoS treatment.

- Use the priority in the packet's 802.1q tag.

When neither the tunnel LSP nor the VPLS has a configured COS value, the device examines the priority in the Layer 2 packet's 802.1q tag, when the packet has one. Consequently, Layer 2 packets with the same 802.1q priority receive the same QoS in the VPLS.

- Use the configured priority of the port.

When neither the tunnel LSP nor the VPLS has a configured COS value, and the Layer 2 packet does not have an 802.1q priority, QoS can be provided based on the priority of the incoming port. A port can be assigned a priority from zero (0) (lowest priority) to seven (7) (highest priority). The default port priority is zero (0).

By assigning different priorities to the ports where customer edge (CE) devices are connected (that is, the VPLS endpoints), the user can provide QoS to untagged Layer 2 traffic received from different customer locations.

When a packet enters a VPLS, the PE router that serves as both the VPLS endpoint and the ingress of a tunnel LSP pushes two labels onto the packet the inner VC label and the outer tunnel label. The packet's priority resides in the EXP field of the MPLS label header. The VC label and the tunnel label carry the same value in the EXP field.

The following table lists how a Layer 2 packet's priority is mapped to a value in the EXP field and how the EXP value is mapped to a priority queue.

Tunnel LSP configured COS or VPLS configured COS or 802.1q priority or Configured port priority	Value placed in the tunnel and VC label EXP field	Priority queue
7	7	qosp7 (highest priority)
6	6	qosp6
5	5	qosp5
4	4	qosp4
3	3	qosp3
2	2	qosp2
1	1	qosp1
0	0	qosp0 (best effort)

## Specifying an LSP to reach a peer within a VPLS

The user can specify the LSPs that can be used to reach a peer within a VPLS. The user can specify up to four Resource ReSerVation Protocol (RSVP) LSPs per VPLS peer. VPLS subsequently selects one of the LSPs configured to reach the specified peer. Any of the configured LSPs can be used, and the order of configuration is not relevant to the selection of the LSP. When none of the assigned LSPs is operational, the VPLS session with the peer is down. An LSP is considered down when the LSPs primary, secondary, and detour paths are all down.

RSVP LSPs must be pre-configured prior to their assignment to the VPLS peer. Additionally, the VPLS peer's IP address must match the target IP address of any RSVP LSPs assigned to it. When these addresses do not match, the configuration is rejected. An LSP that is assigned to any VPLS is not allowed to be deleted from the configuration unless the VPLS LSP assignment is deleted first. When no LSPs have been assigned to a VPLS peer, the existing mechanism is used to select an appropriate LSP for the peer.

When LSP assignment is configured, ignore the configured COS of the LSP, and ignore the VPLS to select an LSP for the VPLS peer. However, traffic sent on the LSP uses the CoS of the LSP. When LSP load balancing is enabled for a VPLS peer, traffic is load-balanced on all assigned LSPs that are operational.

To specify LSPs for a VPLS peer within a VPLS instance, enter a command such as the following.

```
Brocade(config-mpls-vpls-v1)# vpls-peer 192.168.0.0 lsp t1 t2 t3 t4
```

Syntax: `vpls-peer ip-address lsp lsp1 [lsp2 / lsp3 / lsp4]`

The *ip-address* variable specifies the IP address of the VPLS peer to which the user wants to assign LSPs.

The *lsp1 / lsp2 / lsp3 / lsp4* variables are the names of the LSPs that the user wants to assign to the VPLS peer. The user can assign up to four LSPs to a peer using this command. When a VPLS peer is not assigned any LSPs, the default mechanisms for selecting an LSP for the VPLS peer are used.

## LSP load balancing for VPLS traffic

In a VPLS instance, traffic from one VPLS peer to another is forwarded over an MPLS tunnel LSP. When more than one tunnel LSP exists from the device to a VPLS peer, the device can select multiple tunnel LSPs to forward VPLS traffic to the peer. Known unicast traffic is load-balanced across the selected tunnel LSPs. Broadcast and unknown unicast traffic is always sent over a single tunnel LSP, however.

For VPLS LSP load-balancing, select an LSP based on a hash-index which is calculated as follows:

---

### NOTE

For VPLS traffic, source and destination MAC addresses come from the inner customer Ethernet header.

---

- Layer-2, non-IPv4, and IPv6 packets: Source MAC address and destination MAC address.
- IPv4, non-TCP/UDP packets: Source MAC address and destination MAC address, source IP address and destination IP address.

- IPv4 TCP packets: Source MAC address and destination MAC address, source IP address and destination IP address, and TCP source port and TCP destination port.
- IPv4 UDP packets: Source MAC address and destination MAC address, source IP address and destination IP address, and UDP source port and UDP destination port.
- IPv6 non-TCP/UDP packets: Source MAC address and destination MAC address, source IP address and destination IP address.
- IPv6 TCP packets: Source MAC address and destination MAC address, source IP address and destination IP address, and TCP source port and TCP destination port.
- IPv6 UDP packets: Source MAC address and destination MAC address, source IP address and destination IP address, and UDP source port and UDP destination port.

A tunnel LSPs eligibility for load balancing depends on whether CoS values are defined for the VPLS instance and the tunnel LSP:

- When the VPLS instance does not have a CoS value defined, then all tunnel LSPs to the peer are eligible for load balancing.
- When a VPLS instance has a CoS value defined, and at least one tunnel LSP to the peer has a CoS value less than or equal to the VPLS instance CoS value, then all tunnel LSPs with the highest CoS value less than or equal to the VPLS instance CoS value are eligible for load balancing.
- When a VPLS instance has a CoS value defined, and none of the tunnel LSPs to the peer has a CoS value less than or equal to the VPLS instance CoS value, then all tunnel LSPs to the peer that do not have a CoS value are eligible for load balancing.

---

#### NOTE

The LSPs picked for load-balancing must have the same COS values. For example: When COS of LSP1 = 4, LSP2 = 4, LSP3 = 2, LSP4 = 2, LSP5 = 1 and VPLS instance COS = 3. Then traffic is load balanced with LSP3 and LSP4 which has same COS values.

---

## LSP load balancing

The device evenly distributes VPLS traffic across tunnel LSPs.

In early software releases, VPLS traffic was unevenly balanced across tunnel LSPs when exactly three tunnels were used for load balancing. For example, for tunnels A, B, and C, VPLS traffic might be distributed among the tunnels as follows: A: 50%, B: 25%, and C: 25%.

Now, the tunnels are fully utilized. Using the same example above, VPLS traffic might be distributed among tunnels A, B, and C as follows: A: 33.3%, B: 33.3%, and C: 33.3%. These percentages are based on a fully distributed hash index generated by the incoming traffic. Actual distribution percentages may vary and are based on the hash index.

## Configuring LSP load balancing for VPLS traffic

To configure a VPLS instance to load balance known unicast traffic sent to a VPLS peer across multiple tunnel LSPs, enter a command such as the following.

```
Brocade(config-mpls-vpls-v1)# vpls-peer 192.168.0.0 load-balance
```

Syntax: [no] vpls-peer *ip-addr* [load-balance]

---

**NOTE**

To disable the LSP load balancing, the user must delete the VPLS peer with the `no vpls-peer` command, then re-enter the `vpls-peer` command without the `load-balance` option.

---

In the prior example, when the `load-balance` option is specified, VPLS traffic originating from the device and sent to peer 192.168.0.0 is load balanced across eligible tunnel LSPs whose destination is the peer.

## VPLS LSP load balancing

**TABLE 71** VPLS LSP load balancing terms

Term	Meaning
MAC	Media Access Control
LSP	Label Switched Path
VPLS	Virtual Private LAN Service

This functional specification documents the VPLS LSP load balancing which is to be incremented from four LSPs to eight LSPs in the NetIron R05.600 for the XMR/MLX product lines.

### Limitations and prerequisites

The hashing technique to load balance is not consistent. This is an existing limitation.

### Existing feature affected by this feature

Prior to *Multi-Service NetIron Release 05.600*, VPLS LSP load balancing is done with maximum four LSPs. This is increased to eight LSPs after this feature.

In CES/CER, you would be able to assign up to eight LSP to a VPLS peer but at any time only one of them is chosen for all traffic forwarding for this VPLS peer because load balancing is not supported in CES/CER.

### Assumptions and dependencies

The hashing decision has not changed for this feature support. It is based on the fields in each packet received.

VPLS can use both LDP and RSVP tunnels for load balancing as long as they all matched the COS criteria. A tunnel reachable to a peer with the right COS value is all that is required to be used as a candidate for VPLS tunnel load balancing. There are no preferences over a particular type of tunnel dependencies.

## Commands

The following command support the features described in this chapter:

- `show mpls vpls detail`

## show mpls vpls detail

VPLS Manual LSP assignment for a peer can now accept maximum of eight LSPs instead of four LSPs.

The show mpls vpls detail command output shows all the tunnels (maximum eight) used.

Syntax	show mpls vpls detail
Parameters	None
Modes	Global configuration mode.

Command output The show mpls vpls detail command displays the following information.

Output field	Description
VPLS	The configured name of the VPLS instance.
ID Max mac entries	The ID of this VPLS instance.
Total vlans	The number of VLANs that are translated for this VPLS instance.
Tagged ports	The total number of tagged ports that are associated with VLANs in this VPLS instance, as well as the number of these ports that are up.
Untagged ports	The total number of untagged ports that are associated with VLANs in this VPLS instance, as well as the number of these ports that are up.
IFL-ID	The Internal Forwarding Lookup Identifier (IFL-ID) for dual-tagged ports in the VPLS instance.
VC-Mode	The VC mode for the VPLS instance: <ul style="list-style-type: none"> <li>• Raw – The VLAN tag information in the original payload is not carried across the MPLS cloud</li> <li>• Tagged – The VLAN tag information in the original payload is carried across the MPLS cloud</li> <li>• Raw-pass-through -The VLAN tag information behaves like tagged mode when all endpoints are configured as tagged endpoints</li> </ul>
CPU-Protection	Whether CPU protection configured on this VPLS instance is ON or OFF. On Brocade NetIron XMR and Brocade MLX series devices only: When CPU protection is enabled on this VPLS instance but is temporarily unavailable due to 100% multicast FID usage, this field includes the message shown above.
Local Switching	Whether local switching behavior on a per-VPLS basis is enabled or disabled.
Extended Counter	Indicates whether or not the extended counter is enabled for the configured VPLS.
Multicast Snooping	Indicates whether the multicast snooping is enabled or disabled.

### Examples

```

Brocade# show mpls vpls detail
VPLS v2, Id 200, Max mac entries: 2048
Total vlans: 2, Tagged ports: 2 (2 Up), Untagged ports 0 (0 Up)
IFL-ID: n/a
Vlan 10
  L2 Protocol: NONE
  Tagged: ethe 2/19
Vlan 20
  L2 Protocol: NONE
  Tagged: ethe 2/20
  
```



```

VC-Mode: Raw
Total VPLS peers: 1 (1 Operational)
Peer address: 19.19.19.19, State: Operational, Uptime: 1 min
  Tnnls in use (load balance): Candidate count:8 (only 1st 8 is displayed):
    tnl3(3)[RSVP] tnl5(3)[RSVP] tnl0(3)[RSVP] tnl7(3)[RSVP] tnl2(3)[RSVP]
    tnl4(3)[RSVP] tnl1(3)[RSVP] tnl6(3)[RSVP]      Peer Index:0
  Local VC lbl: 983040, Remote VC lbl: 983040
  Local VC MTU: 1500, Remote VC MTU: 1500
  Local VC-Type: Ethernet(0x05), Remote VC-Type: Ethernet(0x05)
CPU-Protection: OFF
Local Switching: Enabled
Extended Counter: ON
Multicast Snooping: Disabled

```

CAM2PRAM format is defined below:

**TABLE 72**

CAM2PRAM Data Format				
BITS[31:25]	Bit[24]	Bit [23]	Bits[22:19]	Bits[18:0]
Reserved	ECMP_MASK[4]	LOCAL ADDRESS (Used for DA-MAC Aging)	ECMP_MASK[3:0]	PRAM_INDEX_BASE[18:0]

```

Brocade# show cam l2vpn 2/19 0000.00b0.00b0
Slot Index MAC          Age Port  IFL/  VC Label Out Port Remote DA/  PRAM
      (Hex)                (Hex)                (Hex)
2   9f9df 0000.00b0.00b0 0    2/20  20    N/A    2/15   0    DA  0033e
2   9fb38 0000.00b0.00b0 2    N/A   N/A    983040 Drop  1    SA  003d7

```

```

Brocade# dm cam me/15 0x9f9df
(CAM 0x9f9df): data 0072-00140000-00b000b0 mask ffff-ffffffff-ffffffff Valid
(Shadow CAM):  data 0072-00140000-00b000b0 mask ffff-ffffffff-ffffffff
(Access):      device 2, block 7, block index 0x000039df
(Flags):      VALID 1 INUSE(1, 0) RESTORING(0, 0) AGING(1, 0) AGE COUNT(0, 0)
(CAM2PRAM entry 0x13f3be): 0038033e
(CAM2PRAM entry 0x13f3bf [MAC SA or Right IP]): 00380001

```

For the above case we have a value of 0038033e which indicate an ECMP mask of seven (eight tunnels).

The ECMP value should always be one less than the actual number of tunnels.

#### History

Release	Command history
Multi-Service NetIron Release 05.6.00	VPLS Manual LSP assignment for a peer can now accept maximum of eight LSPs instead of four LSPs.

Related commands  
None

## Specifying the endpoint of a VPLS instance

When the user configures the VPLS endpoint, the user specifies what happens to packets exiting the VPLS instance, which VLAN the packet belongs to, as well as whether it is transmitted from the PE device to the CE device over a dual-tagged, single-tagged, or untagged port. The user can also specify a server Link Aggregation Group (LAG) group as the endpoint of a VPLS instance.

A VPLS instance can be configured between any combination of dual-tagged, single-tagged, and untagged endpoints. For dual-tagged ports, traffic flows between the dual-tagged endpoint and the MPLS cloud are also supported for traffic switched between a local endpoint and remote peers.

---

### NOTE

Unless VPLS tagged mode is enabled, VPLS operates in raw mode, meaning no VLAN tags are carried across the MPLS cloud to remote peers. For more information, see [“Configuring VPLS tagged mode”](#).

---

The Customer Edge (CE) device is connected to the PE router over one or more dual-tagged, single-tagged, or tagged ports.

- With a *single-tagged* port, each pair (port, VLAN ID) is identified as a unique endpoint. When VPLS raw mode is in effect, the tag is of significance between the CE and the PE and is not sent across the MPLS cloud. When VPLS tagged mode is enabled, the tag is sent across the MPLS cloud.
- In the case of an *untagged* port, an endpoint is identified by the physical port alone, and the packets are sent in untagged Ethernet format within the MPLS payload.
- In the case of a *dual-tagged* port, the packets contain both an outer VLAN tag and an inner VLAN tag. In this configuration, an endpoint can receive packets with two tags and forward them to the other endpoint either single-tagged or dual-tagged. When VPLS tagged mode is enabled, the inner VLAN tag is sent across the MPLS cloud.

All VPLS endpoints can be dual mode ports (tagged-untagged). An untagged endpoint port is removed from the default VLAN ID 1 and cannot be added back to the default VLAN. A VPLS endpoint can be tagged in multiple VPLS and Layer 2 VLANs and untagged in one other VLAN.

## Special considerations for dual-tagged endpoints

Before configuring a dual-tagged VPLS endpoint, consider the following:

- The tag protocol identifier (TPID) of the inner VLAN tag must be 0x8100 be classified as dual-tagged and recognized by dual-tagged endpoints. When the TPID is not 0x8100, the packet is classified as a single-tagged packet.
- The TPID of the outer VLAN tag must be the port's configured tag type (the default tag type is 0x8100).
- The System Max value for the Internal Forwarding Lookup (IFL) CAM partition must not be set to 0 (zero). When it is set to zero, an informational message such as the following is displayed.

```
Brocade(config-mpls)# vpls test 10
Brocade(config-mpls-vpls-test10)# vlan 100 inner-vlan 200
Brocade(config-mpls-vpls-test_10-vlan-100-inner-vlan-200)# tagged Ethernet2/1
```

**NOTE**

The system-max size for the Internal Forwarding Lookup CAM is zero. Use the command `system-max ifl-cam` to specify a size.

The informational message only warns that the configuration must be changed. It does not cause the system to reject the VPLS configuration. For example, in the sample case, the dual-tagged endpoint configuration of `vlan 100 inner-vlan 200` on port ethernet 2/1 has been accepted assuming the port, outer VLAN, and inner VLAN combination has not already been assigned elsewhere.

- When the IFL CAM partition on the Interface module exceeds a configured threshold, there is a warning log message which is similar to the way other CAM partitions are handled currently. The system does not generate any logs when it cannot program the IFL CAM because of exhaustion of an IFL CAM resource.
- When an outer VLAN is specified for a given endpoint, it is called a less-specific VLAN. When both an outer VLAN and inner VLAN are specified, it is called a more-specific VLAN (in relation to the outer VLAN).
- Similar to single-tagged endpoints, the outgoing VLANs for a dual-tagged endpoint are based solely on the outgoing endpoint configuration, and not on the incoming packet VLAN values.
- The same port, outer VLAN, and inner VLAN combination cannot be specified across VPLS instances. For example, when a dual-tagged endpoint with VLAN 100 and inner VLAN 200 is configured on port ethernet 2/1 on VPLS instance “test”, same endpoint cannot be configured as part of another VPLS instance (for example, “test 1”). This is also true across applications. When a port, outer VLAN, and inner VLAN combination belongs to a VPLS instance, it cannot simultaneously belong to a Layer 2 VLAN, local VLL, or VLL.
- When CPU protection is enabled for a VPLS instance, the system does not support a configuration with two different dual-tagged VPLS VLANs as part of the same VPLS instance. Consider the following configuration example.

```
Brocade(config)# router mpls
Brocade(config-mpls)# vpls test 10
Brocade(config-mpls)# cpu-protection
Brocade(config-mpls-vpls-test)# vlan 10 inner-vlan 20
Brocade(config-mpls-vpls-test-vlan-10-20)# tagged eth 2/1
Brocade(config-mpls-vpls-test-vlan-10)# exit
Brocade(config-mpls-vpls-test)# vlan 10 inner-vlan 30
Brocade(config-mpls-vpls-test-vlan-10-30)# tagged eth 2/1
Error - VPLS port 2/1 cannot be shared by multiple end-points when CPU
protection is enabled. Remove CPU protection for VPLS 10 to make this
configuration change.
```

Similarly, CPU protection cannot be enabled for a VPLS instance that has a port configured under two different dual-tagged VPLS VLANs. Consider the following configuration example.

```
Brocade(config)# router mpls
Brocade(config-mpls)# vpls test 10
Brocade(config-mpls-vpls-test)# vlan 10 inner-vlan 20
Brocade(config-mpls-vpls-test-vlan-10-20)# tagged eth 2/1
Brocade(config-mpls-vpls-test-vlan-10)# exit
Brocade(config-mpls-vpls-test)# vlan 30 inner-vlan 40
Brocade(config-mpls-vpls-test-vlan-30-40)# tagged eth 2/1
Brocade(config-mpls-vpls-test-vlan-20)# exit
```

### 3 show mpls vpls detail

```
Brocade(config-mpls-vpls-test)# cpu-protection
Error - Cannot configure CPU protection for VPLS 10 as multiple end-points
share the same physical port.
```

The restrictions exist because packets are hardware-forwarded when CPU protection is enabled. In this case, source port suppression cannot be properly performed when there are multiple endpoints on the same physical interface.

## Specifying an untagged endpoint

To specify an untagged endpoint for a VPLS instance, enter commands such as the following.

```
Brocade(config-mpls)# vpls v1 40000
Brocade(config-mpls-vpls-v1)# vlan 100
Brocade(config-mpls-vpls-v1-vlan-100)# untagged ethernet 2/1
```

Syntax: [no] untagged [ethernet] *portnum*

---

#### NOTE

Foundry Discovery Protocol (FDP) must not be enabled on an untagged VPLS or VLL endpoint.

---

## Specifying a single-tagged endpoint

Tagged ports are configured under a VLAN ID. A VPLS instance can have multiple ports configured under the same VLAN ID, and can have ports configured under different VLAN IDs. Another VPLS instance can reuse the same VLAN ID on other physical ports. Because the VLANs are configured under different VPLS instances, they are different VPLS VLANs even though they use the same VLAN ID.

To specify a tagged endpoint for a VPLS instance, enter commands such as the following:

```
Brocade(config-mpls)# vpls v1 40000
Brocade(config-mpls-vpls-v1)# vlan 200
Brocade(config-mpls-vpls-v1-vlan-200)# tagged ethernet 3/11
```

Syntax: *vlan num*

Syntax: [no] tagged ethernet *slot/port*

## Specifying a dual-tagged endpoint

Dual-tagged ports are configured with two VLAN IDs. A VPLS instance can have multiple ports configured under the same dual-tagged VLAN ID, and can have ports configured under different VLAN IDs. Another VPLS instance can reuse the same VLAN ID on other physical ports. Because the VLANs are configured under different VPLS instances, they are different VPLS VLANs even though they use the same VLAN ID.

---

#### NOTE

Before configuring a dual-tagged endpoint, see [“Special considerations for dual-tagged endpoints”](#).

---

To specify a dual-tagged endpoint for a VPLS instance, use the following commands.

```

Brocade(config-mpls)# vpls v1 40000
Brocade(config-mpls-vpls-v1)# vlan 200 inner-vlan 300
Brocade(config-mpls-vpls-v1-vlan-200)# tagged ethernet 3/11

```

Syntax: [no] vlan *VLAN-ID* inner-vlan *VLAN-ID*

Syntax: [no] tagged ethernet *slot/port*

The vlan *VLAN-ID* variable, which is the outer VLAN ID, can be in the range from 1 through 4094 and excludes the default VLAN.

The inner-vlan *VLAN-ID* variable, can be in the range from 1 through 4095 and includes the default VLAN.

Use the no form of the command to remove the dual-tagged VPLS VLAN configuration and its associated endpoints. For example, the command no vlan 200 inner-vlan 300 removes the dual-tagged VLAN and associated endpoints. The single-tagged VLAN, vlan 200, is not deleted. Similarly, the command no vlan 200 removes the single-tagged VLAN, vlan 200, and associated endpoints. The dual-tagged VLAN, vlan 200 inner-vlan 300, is not deleted.

#### Example of dual-tagged endpoints mapped to different VPLS instances

The following example shows two dual-tagged endpoints on the same physical interface with the same outer VLAN ID and different inner VLAN IDs mapped to different VPLS instances.

```

Brocade(config-mpls)# vpls test_10 10
Brocade(config-mpls-vpls-test_10)# vlan 100 inner-vlan 200
Brocade(config-mpls-vpls-test_10-vlan-100-inner-vlan-200)# tagged ethernet 2/1
Brocade(config-mpls-vpls-test_10-vlan-100-inner-vlan-200)# exit
Brocade(config-mpls-vpls-test_10)# exit
Brocade(config-mpls)# vpls test_20 20
Brocade(config-mpls-vpls-test_20)# vlan 100 inner-vlan 300
Brocade(config-mpls-vpls-test_20-vlan-100-inner-vlan-300)# tagged ethernet 2/1
Brocade(config-mpls-vpls-test_20-vlan-100-inner-vlan-300)# exit

```

#### Example of dual-tagged endpoints mapped to the same VPLS instance

The following example shows two dual-tagged endpoints on the same physical interface with the same outer VLAN ID and different inner VLAN IDs mapped to the same VPLS instance.

```

Brocade(config-mpls)# vpls test 10
Brocade(config-mpls-vpls-test)# vlan 100 inner-vlan 200
Brocade(config-mpls-vpls-test-vlan-100-inner-vlan-200)# tagged ethernet 2/1
Brocade(config-mpls-vpls-test-vlan-100-inner-vlan-200)# exit
Brocade(config-mpls-vpls-test)# vlan 100 inner-vlan 300
Brocade(config-mpls-vpls-test-vlan-100-inner-vlan-300)# tagged ethernet 2/1

```

In the above example, when packets are received with outer VLAN ID 100 and no inner VLAN ID, the packets are not handled as part of VPLS instance 10.

#### Example of a less-specific and more-specific VLAN mapped to different VPLS instances

The following example shows a less-specific VLAN and more-specific VLAN (with the same outer VLAN ID) of the same port in different VPLS instances.

```

Brocade(config-mpls)# vpls test_10 10

```

### 3 show mpls vpls detail

```
Brocade(config-mpls-vpls-test_10)# vlan 100
Brocade(config-mpls-vpls-test_10-vlan-100)# tagged ethernet 2/1
Brocade(config-mpls-vpls-test_10-vlan-100)# exit
Brocade(config-mpls-vpls-test_10)# exit
Brocade(config-mpls)# vpls test_20 20
Brocade(config-mpls-vpls-test_20)# vlan 100 inner-vlan 300
Brocade(config-mpls-vpls-test_20-vlan-100-inner-vlan-300)# tagged ethernet 2/1
Brocade(config-mpls-vpls-test_20-vlan-100-inner-vlan-300)# exit
```

Example of a less-specific and more-specific VLAN mapped to the same VPLS instance

The following example shows a less-specific VLAN and more-specific VLAN (with the same outer VLAN ID) of the same port in the same VPLS instance.

```
Brocade(config-mpls)# vpls test_10 10
Brocade(config-mpls-vpls-test_10)# vlan 100
Brocade(config-mpls-vpls-test_10-vlan-100)# tagged ethernet 2/1
Brocade(config-mpls-vpls-test_10-vlan-100)# exit
Brocade(config-mpls-vpls-test_10)# vlan 100 inner-vlan 300
Brocade(config-mpls-vpls-test_10-vlan-100-inner-vlan-300)# tagged ethernet 2/1
Brocade(config-mpls-vpls-test_10-vlan-100-inner-vlan-300)# exit
```

In the above example, when packets are received on interface ethernet 2/1 with outer VLAN ID 100 and an inner VLAN ID other than 300, the packets are handled as part of VPLS instance 10. In this case, the inner VLAN is treated as payload.

### Specifying a LAG group as the endpoint of a VPLS instance

The endpoint of a VPLS instance can be a static or a dynamic LAG. When the endpoint of a VPLS instance is a LAG, the VPLS traffic load is distributed to the CE device across all of the LAG's ports by way of a hashing mechanism that utilizes the source and destination MAC addresses.

For example, to configure a LAG, enter commands such as the following.

```
Brocade(config)# lag blue dynamic
Brocade(config-lag-blue)# ports ethernet 1/1 to 1/2
Brocade(config-lag-blue)# primary-port 1/1
```

To configure a VPLS instance that uses the LAG defined as the endpoint by the previous example commands, enter the commands as in the following example.

```
Brocade(config)# router mpls
Brocade(config-mpls)# vpls test1 40000
Brocade(config-mpls-vpls-test1)# vpls-peer 10.10.10.10
Brocade(config-mpls-vpls-test1)# vlan 200
Brocade(config-mpls-vpls-test1)# tagged e 1/1
```

When the user first creates a LAG and then configure a VPLS instance, the port the user specifies as the VPLS endpoint must also be the port the user specified as the primary port of the LAG group:

- When the user first configures a VPLS instance and then create a LAG, all ports of the LAG must be specified as endpoints of the VPLS instance. The VPLS instance uses all the ports of the LAG.
- When the user later deletes the LAG from the configuration, all ports in the LAG become independent endpoints in the VPLS instance.
- When the user specified a tagged endpoint for the VPLS instance, all of the ports in the LAG must be tagged.

- Traffic received from any port in the LAG is forwarded to the VPLS instance. All traffic is matched to its VLAN.

## Support for VPLS endpoints within a Topology group

The user can configure VPLS VLANs into Topology groups so that the user can use any of the following protocols within a VPLS VLAN:

- Spanning Tree Protocol (STP)
- Rapid Spanning Tree Protocol (RSTP)
- Foundry Metro Ring Protocol (MRP)
- Virtual Switch Redundancy Protocol (VSRP)

## Flooding Layer 2 BPDUs in VPLS

By default, Layer 2 STP and Per VLAN Spanning Tree (PVST) Bridge Protocol Data Units (BPDUs) entering a VPLS endpoint are not transparently flooded within the VPLS instance. The BPDUs are dropped when they enter the VPLS endpoint. The user can change this default behavior to not block BPDUs and transparently flood them within the VPLS instance, by configuration on a per-physical-port basis. Because the BPDU block option is configurable per physical interface, it affects all VPLS instances that have endpoints on that interface.

To flood BPDUs in VPLS, use the following command.

```
Brocade(config)# interface ethernet 1/1
Brocade(config-if-e10000-1/1)# no vpls-bpdu-block
```

Syntax: [no] vpls-bpdu-block

## Specifying the VPLS VC type

---

### NOTE

This is a global setting that affects all VPLS instances, except those in VPLS tagged mode. The user must save the configuration and reload the software to place the change into effect.

---

The default VC type for all VPLS instances is set to 0x5 or “Ethernet”. For compatibility with previous versions, the VC type can be changed to 0xB or “Ethernet VPLS”. The VC type must match between peers for the VPLS session to be established.

---

### NOTE

When VPLS tagged mode is enabled for a VPLS instance, the VC type for that instance is set to 0x04 or “Ethernet Tagged”, regardless of the global VPLS VC type setting.

---

To change the VPLS VC type, use the following command at the MPLS configuration level.

```
Brocade(config-mpls)# vpls-vc-type-ethernet-vpls
```

VPLS VC type is 0xB (Ethernet VPLS) after the user saves to config and reboot.

Syntax: [no] vpls-vc-type-ethernet-vpls

## Configuring VPLS tagged mode

This section describes how to enable, disable, and view the configuration details of VPLS tagged mode. For details about how VPLS tagged mode works, see [“VPLS tagged mode”](#).

### Enabling VPLS tagged mode

To enable VPLS tagged mode, first create the VPLS instance when it does not already exist, and then enter commands such as the following at the MPLS VPLS configuration level of the CLI.

```
Brocade(config-mpls)# vpls test 100
Brocade(config-mpls-vpls-test)# vc-mode tagged
```

Syntax: vc-mode tagged

### Disabling VPLS tagged mode

Except for VPLS instances on which ISID is configured, use the no vc-mode tagged command to disable VPLS tagged mode. For VPLS instances with an ISID configuration, first remove the ISID configuration, then disable VPLS tagged mode.

When the user attempts to disable VPLS tagged mode on a VPLS instance with ISID, the system displays the following error message.

```
Brocade(config-mpls-vpls-test)# no vc-mode tagged
Error - Cannot remove tagged-mode setting while VPLS ISID configuration exists
```

Syntax: no vc-mode tagged

### Viewing the VPLS tagged mode configuration

Use the show running config and show mpls vpls detail commands to view the VPLS tagged mode configuration. The following shows an example show running config output. For examples and details of the show mpls vpls detail command, see [“Enabling MPLS VPLS traps”](#).

```
Brocade(config-mpls)# vpls test 100
Brocade(config-mpls-vpls-test)# vc-mode tagged

Brocade# show running config
....
router mpls

vpls test 100
  vc-mode tagged
  vpls-peer 10.100.100.100
  vlan 100 inner-vlan 45
  tag e 2/1
vpls name_raw 3
  vpls-peer 10.200.200.200
```

In the above example, vc-mode tagged indicates that VPLS tagged mode is enabled on vpls test 100, whereas vpls name\_raw 3 is in VPLS raw mode.



## Displaying the VPLS raw pass through mode configuration

Use the show mpls vpls detail command to view the VPLS raw pass through mode configuration.

```
Brocade# show mpls vpls detail
VPLS name_raw, Id 3, Max mac entries: 8192
  Total vlans: 1, Tagged ports: 3 (3 Up), Untagged ports 0 (0 Up)
  IFL-ID: 4097
  Vlan 300 inner-vlan 500
    Tagged: ethe 3/1 ethe 3/11 ethe 3/13
  VC-Mode: Raw
  Total VPLS peers: 1 (1 Operational)
  Peer address: 10.200.200.200, State: Operational, Uptime: 1 hr 10 min
  Tnnl in use: tnl1(4)[LDP]Peer Index:0
  Local VC lbl: 983072, Remote VC lbl: 983072
  Local VC MTU: 1500, Remote VC MTU: 1500
  LOCAL VC-Type: Ethernet (0x05), Remote VC-Type: Ethernet (0x05)
  CPU-Protection: OFF
  Local Switching: Enabled

VPLS test, Id 100, Max mac entries: 8192
  Total vlans: 1, Tagged ports: 1 (1 Up), Untagged ports 0 (0 Up)
  IFL-ID: 4096
  Vlan 100 inner-vlan 45
    Tagged: ethe 2/1
  VC-Mode: raw-pass-through
  Total VPLS peers: 1 (1 Operational)
  Peer address: 10.100.100.100, State: Operational, Uptime: 19 hr 14 min
  Tnnl in use: tnl0(3)[LDP]
  Local VC lbl: 983040, Remote VC lbl: 983040
  Local VC MTU: 1500, Remote VC MTU: 1500,
  LOCAL VC-Type: Ethernet (0x05), Remote VC-Type: Ethernet (0x05)
  CPU-Protection: OFF
  Local Switching: Enabled

VPLS vctagged, Id 200, Max mac entries: 8192
  Total vlans: 1, Tagged ports: 1 (1 Up), Untagged ports 0 (0 Up)
  Vlan 200
    Tagged: ethe 2/2
  VC-Mode: Tagged
  Total VPLS peers: 1 (1 Operational)
  Peer address: 10.300.300.300, State: : Operational, Uptime: 1 hr 1 min
  Tnnl in use: tnl0(2)[LDP]
  Local VC lbl: 983088, Remote VC lbl: 983088
  Local VC MTU: 1500, Remote VC MTU: 1500,
  LOCAL VC-Type: Ethernet Tagged (0x04), Remote VC-Type: Ethernet Tagged (0x04)
  CPU-Protection: OFF
  Local Switching: Enabled
```

Syntax: show mpls vpls detail

The information related to the raw pass through mode is shown in bold text in the previous output.

Table 73 lists the output displayed by the show mpls vpls detail command.

**TABLE 73** Output from the show mpls vpls detail command

Field	Description
VPLS	The configured name of the VPLS instance.
Id	The ID of this VPLS instance.
Max mac entries	The maximum number of MAC address entries that can be learned for this VPLS instance. This is a soft limit only and can be exceeded when there is space available in the VPLS MAC database.
Total vlans	The number of VLANs that are translated for this VPLS instance.
Tagged ports	The total number of tagged ports that are associated with VLANs in this VPLS instance, as well as the number of these ports that are up.
Untagged ports	The total number of untagged ports that are associated with VLANs in this VPLS instance, as well as the number of these ports that are up.
IFL-ID	The Internal Forwarding Lookup Identifier (IFL-ID) for dual-tagged ports in the VPLS instance.
Vlan	The ID of each VLAN in this VPLS instance.
Tagged	The numbers of the tagged ports in each VLAN.
Untagged	The numbers of the untagged ports in each VLAN.
VC-Mode	The VC mode for the VPLS instance: <ul style="list-style-type: none"> <li>• Raw – The VLAN tag information in the original payload is not carried across the MPLS cloud</li> <li>• Tagged – The VLAN tag information in the original payload is carried across the MPLS cloud</li> <li>• Raw-pass-through -The VLAN tag information behaves like tagged mode when all endpoints are configured as tagged endpoints</li> </ul>
Total VPLS peers	The number of VPLS peers this device has for this VPLS instance, as well as the number of these VPLS peers with which this device has an LDP session.
Peer address	The IP address of the VPLS peer.
State	The current state of the connection with the VPLS peer. This can be one of the following states: <ul style="list-style-type: none"> <li>• Operational – The VPLS instance is operational. Packets can flow between the device and the peer</li> <li>• Wait for functional local ports – The physical endpoint port that must be connected to the Customer Edge device is down due to a link outage or is administratively disabled</li> <li>• Wait for LSP tunnel to Peer – The device cannot find a working tunnel LSP</li> <li>• Wait for PW Up (Wait for LDP session to Peer)– The LDP session is not yet ready</li> <li>• Wait for PW Up (Wait for remote VC label) - The device has advertised its VC label binding to the VPLS peer, but has not yet received the peer's VC label binding</li> <li>• Wait for PW Up (VC type mismatched) – A session is not formed because the VC type does not match with its peer's VC type</li> <li>• Wait for PW Up (MTU mismatched) – The MTU sent to a peer is derived from the device's global setting by the following formula: (<i>system-mtu</i> minus 26 bytes). When a <i>system-mtu</i> value is not configured, a default value of 1500 is sent</li> <li>• Wait for PW Up (Wait for LPD session to Peer) - The LDP session to the peer is down</li> <li>• Wait for PW Up (No Label Resource) - When configuring a new VPLS peer, the maximum amount of VC labels that can be supported may exceed 64K, and cause the configuration to be rejected. The maximum amount of VC labels available for VPLS instances is equal to 64K.</li> </ul>

**TABLE 73** Output from the show mpls vpls detail command (Continued)

Field	Description
Uptime	The time in minutes that the entry has been operational.
Tnnl in use	The tunnel LSP used to reach the VPLS peer. When VPLS traffic to the peer is load balanced across multiple tunnel LSPs, the tunnel LSPs used to reach the peer are displayed.
LDP session	The state of the LDP session between this device and the VPLS peer.
Local VC lbl	The VC label value locally allocated for this peer for this VPLS instance. Packets forwarded from the VPLS peer to this device are expected to contain this label. This is the label that is advertised to the VPLS peer through LDP.
Remote VC lbl	The VC label allocated by the VPLS peer and advertised to this device through LDP. The device applies this label to outbound MPLS packets sent to the VPLS peer.
Local VC MTU	The MTU value locally configured for this peer.
Remote VC MTU	The MTU value configured for the remote VPLS peer.
Local VC-Type	The VC type for this peer.
Remote VC-Type	The VC type for the remote VPLS peer.
CPU-Protection	Whether CPU protection configured on this VPLS instance is ON or OFF. On Brocade NetIron XMR and Brocade MLX series devices only: When CPU protection is enabled on this VPLS instance but is temporarily unavailable due to 100% multicast FID usage, this field includes the message shown above.
Local Switching	Whether local switching behavior on a per-VPLS basis is enabled or disabled.
Extended Counter	Indicates whether or not the extended counter is enabled for the configured VPLS.
Multicast Snooping	Indicates whether the multicast snooping is enabled or disabled.

## VPLS CPU protection

The VPLS CPU protection feature protects the CPU of the line card from being overwhelmed by excessive VPLS packets that would require the CPUs attention, including unknown unicast, multicast packets, and packets requiring source-MAC learning. Once this feature is enabled, all VPLS multicast traffic is hardware-flooded. Furthermore, when the CPU is too busy, this feature hardware-floods unknown unicast traffic, as well as reduce the rate of source-MAC learning traffic to the line card CPU, so that the line card CPU has enough resources to handle other types of packets.

### NOTE

VPLS CPU protection is not applicable to Brocade NetIron CES or Brocade NetIron CER devices.

## Configuration Considerations

Note the following configuration rules before enabling VPLS CPU protection.

- VPLS CPU protection cannot be concurrently enabled with IGMP snooping on a VPLS instance.

- CPU protection cannot be enabled for a VPLS instance that has a port configured under two different VPLS VLANs. Similarly, when CPU protection is enabled for a VPLS instance, the system does not support a configuration with two different VPLS VLANs as part of the same VPLS instance.
- When VPLS FID usage reaches 100%, CPU protection is temporarily disabled until adequate FID resources are available.

## Configuring VPLS CPU protection

VPLS CPU protection can be configured in either of the following two ways:

- Globally – This enables VPLS CPU protection to affect all VPLS instances on the router
- Per-VPLS – This enables VPLS CPU protection on one or more specified VPLS instances

### Configuring VPLS CPU protection globally

VPLS CPU protection can be enabled for all VPLS instances on a router. To enable VPLS CPU protection on all VPLS instances, enter the following command.

```
Brocade(config)# router mpls
Brocade(config-mpls) vpls-cpu-protection
```

Syntax: [no] vpls-cpu-protection

### Configuring VPLS CPU protection per VPLS

VPLS CPU protection can be enabled per VPLS instance. To enable VPLS CPU protection on a specified VPLS instance, enter the following command.

```
Brocade(config)# router mpls
Brocade(config-mpls)# vpls test 1
Brocade(config-mpls-vpls-test)# cpu-protection
```

Syntax: [no] cpu-protection

## VPLS Broadcast, multicast, and unknown unicast packet limiting

This feature limits the number of broadcast, multicast, and unknown unicast packet packets that are flooded into the network. The user can limit the number of broadcast, multicast, and unknown unicast packet that are flooded by the LP CPU on all VPLS instances.

The user can limit the number of packets that are flooded by the LP CPU on VPLS instances using the following command.

```
Brocade(config)# router mpls
Brocade(config-mpls)# vpls-policy
    cpu-broadcast-limit 100000
    cpu-multicast-limit 200000
    cpu-unknown-unicast-limit 300000
```

Syntax: [no] vpls-policy | [no] cpu-broadcast-limit *number* |[no] cpu-multicast-limit *number* | [no] cpu-unknown-unicast-limit *number*]

The *number* variable refers to the packet limits for broadcast, multicast, and unknown unicast packets.

---

**NOTE**

When configuring global multicast-limit all multicast packets, even those that would have been hardware forwarded, will not be sent to the CPU to be rate-limited.

---

### CPU packet limiting

The CPU limiting feature affects the packets being flooded into VPLS endpoints as well as remote peers. The CPU packet limiting is as follows:

- When VPLS policy parameters are configured in the MP, the LP CPU acts on those configuration parameters and limits the number of packets of a specific type up to the configured limit.
- Once the number of packets for a given type exceeds the limit, the LP CPU drops the packets before flooding into the VPLS instance.
- When a packet is dropped, the drop-reason-code is incremented accordingly.
- Counters are reset and start counting the packets again after one second.
- Known unicast packets forwarded by the LP CPU are not counted as drops as those packets is sent directly to the next hop and not flooded. This can happen in CAM full scenarios.

### Interaction with VPLS CPU protection

The interaction with VPLS CPU protection is as follows:

- When the VPLS CPU protection feature is enabled, multicast and broadcast packets are normally forwarded in hardware using a flooding entry after Source MAC Address (SA) learning. Most of the unicast packets is forwarded in hardware as well, and packets are sent to the CPU for flooding in a rate-limiting fashion depending upon CPU utilization.
- When VPLS CPU protection is configured along with the packet-limiting feature, the packets with CPU protection is subjected to CPU limiting. In other words, the packets coming to the CPU for VPLS with CPU protection may be dropped with the CPU limiting feature enabled.

### Multicast traffic processing

The multicast traffic processing is as follows:

- When a multicast packet limit is configured, multicast data packets are not differentiated from multicast protocol packets.
- All the packets is subjected to packet limitations and may be dropped when they exceed per-second multicast packet limits.
- Multicast snooping packets and IEEE 802.1ag packets may be affected as well.

## Layer 2 control traffic behavior on VPLS endpoints

This section describes the Layer 2 control traffic behavior on VPLS endpoints.

## 802.1x Protocol packets on a VPLS endpoint

802.1x does not support VPLS endpoints.

## Cisco Discovery Protocol packets

Cisco Discovery Protocol (CDP) cannot be configured on a VPLS endpoint port and a VPLS endpoint cannot be configured on a physical port that has CDP enabled. This restriction is enforced by the CLI. When a VPLS endpoint receives any CDP traffic, this traffic is transparently flooded within the VPLS.

The behavior of CDP control packets is as follows:

- When CDP is globally enabled on the device, and the priority force command is configured on an incoming port, the VPLS local switched packets is sent out with a priority of seven (7).
- When CDP is not enabled on the device, packets are switched locally according to the priority in the configured qos exp encode command or qos pcp encode-policy command.

## Foundry Discovery Protocol packets

Foundry Discovery Protocol (FDP) cannot be configured on a VPLS endpoint port and a VPLS endpoint cannot be configured on a physical port that has FDP enabled. This restriction is enforced by the CLI. When a VPLS endpoint receives any FDP traffic, this traffic is transparently flooded within the VPLS.

The behavior of FDP control packets is as follows:

- When FDP is globally enabled on the device and priority force command is configured on an incoming port, the VPLS local switched packets is sent out with a priority of seven (7).
- When FDP is not enabled on the device, packets are switched locally according to the priority in the configured qos exp encode command or qos pcp encode-policy command.

## Configuring VPLS endpoint over FDP/CDP enabled interface

Configuring VPLS endpoint over an FDP/CDP enabled interface will implicitly disable FDP/CDP configuration and also will be enable back implicitly when the VPLS endpoint is deleted on that specific interface, considering FDP/CDP is enabled globally.

Info messages will be displayed to notify the user as below for these cases:

For example, when VPLS endpoint is created the info messages displayed are as below.

- 1 When only FDP is enabled globally.  

```
Brocade(config-mpls-vpls-vpls1-vlan-100)#tag eth 4/3 eth 4/5 eth 4/7
info- FDP is disabled on port 4/3
info- FDP is disabled on port 4/5
info- FDP is disabled on port 4/7
```
- 2 When only CDP is enabled globally.  

```
Brocade(config-mpls-vpls-vpls1-vlan-100)#tag eth 4/3 eth 4/5 eth 4/7
info- CDP is disabled on port 4/3
info- CDP is disabled on port 4/5
info- CDP is disabled on port 4/7
```

- 3 When both FDP/CDP is enabled globally.

```
Brocade(config-mpls-vpls-vpls1-vlan-100)#tag eth 4/3 eth 4/5 eth 4/7
info- FDP/CDP is disabled on port 4/3
info- FDP/CDP is disabled on port 4/5
info- FDP/CDP is disabled on port 4/7
```

For example, when VPLS endpoint is deleted the info messages are displayed as below.

- 1 When only FDP is enabled globally.

```
Brocade(config-mpls-vpls-vpls1-vlan-100)#no tag eth 4/3 eth 4/5 eth 4/7
info- FDP is enabled on port 4/3
info- FDP is enabled on port 4/5
info- FDP is enabled on port 4/7
```

- 2 When only CDP is enabled globally.

```
Brocade(config-mpls-vpls-vpls1-vlan-100)#no tag eth 4/3 eth 4/5 eth 4/7
info- CDP is enabled on port 4/3
info- CDP is enabled on port 4/5
info- CDP is enabled on port 4/7
```

- 3 When both FDP/CDP is enabled globally.

```
Brocade(config-mpls-vpls-vpls1-vlan-100)#no tag eth 4/3 eth 4/5 eth 4/7
info- FDP/CDP is enabled on port 4/3
info- FDP/CDP is enabled on port 4/5
info- FDP/CDP is enabled on port 4/7
```

---

#### NOTE

Configuring VPLS endpoint over FDP/CDP enabled interface will implicitly disable FDP/CDP on that specific interface and show run will not display any info about FDP/CDP configuration for that interface. Deleting the VPLS endpoint will retain the prior FDP/CDP configuration on that specific interface and show run now displays the FDP/CDP info again for that specific interface.

---

## Uni-directional Link Detection packets

Uni-directional Link Detection (UDLD) cannot be configured on a VPLS endpoint port and a VPLS endpoint cannot be configured on a physical port that has UDLD enabled. This restriction is enforced by the CLI. When a VPLS endpoint receives any UDLD traffic, this traffic is dropped by the router at ingress. However, when the VPLS has CPU protection enabled, this traffic is hardware-flooded intermittently.

## Flooding Layer 2 BPDUs with a VPLS instance

By default, Layer 2 Spanning Tree Protocol (STP) and Per VLAN Spanning Tree (PVST) BPDUs entering a VPLS endpoint are not transparently flooded within the VPLS instance. The BPDUs are dropped when they enter the VPLS endpoint. The user can change this default behavior to not block BPDUs and transparently flood them within the VPLS instance, by configuration on a per-physical-port basis.

To flood BPDUs with a VPLS, use the following command.

```
Brocade(config)# interface ethernet 1/1
Brocade(config-if-e10000-1/1)# no vpls-bpdu-block
```

Syntax: [no] vpls-bpdu-block

## Specifying a VPLS MTU

The `vpls-mtu` command allows the user to specify an MTU value per VPLS instance. The newly configured VPLS MTU takes effect immediately to refresh or re-establish the VPLS sessions with peers in the following manner:

- When the VPLS session is Operational and the VPLSs MTU is changed by configuration, bring down the peer, send a label withdraw message to the peer, followed by the current VC binding message.
- When the VPLS session is not Operational and the VPLS's MTU is changed by configuration and the current state of the peer is VC-Parameter-MTU-Mismatch, the peer is brought UP when the MTU is equal, and a VC withdraw message is sent to clean up the old binding on the peer, and then a VC binding message is sent with the newly configured MTU. When the current state of the peer is anything other than VC-Parameter-MTU-Mismatch, the VPLS's configured MTU is changed.
- When a VC binding is received from a peer and VPLS MTU enforcement is enabled, the received MTU is compared with the VPLS's MTU. When they are not equal, the peer is kept in the VC-Parameter-MTU-Mismatch state, and otherwise made Operational. When the MTU enforcement is disabled, the peer's MTU is saved and the peer is made Operational irrespective of the MTU values.

To configure a new MTU value for a VPLS instance, use the `vpls-mtu` command as shown in the following example.

```
Brocade(config-mpls)# vpls myvpls 40000
Brocade(config-mpls-vpls-myvpls)# vpls-mtu 1000
```

Syntax: `[no] vpls-mtu mtu-value`

The *mtu-value* variable can be set to any value between 64 through 9190.

When the user employs the `[no]` parameter to remove the configured MTU value for a VPLS instance, that instance's MTU becomes one of two possible values:

- When a global default MTU has been configured, then the MTU for this VPLS instance becomes that global maximum frame size minus 26.
- When no global default exists, the MTU is 1500.

For example, when the user removes the MTU value for the VPLS named `myvpls`, and the global default maximum frame size is 5000, then the MTU for VPLS `myvpls` becomes 4974 ( $5000 - 26 = 4974$ ).

---

#### NOTE

This MTU parameter is not enforced on the data plane (hardware). Consequently, packets larger than the configured MTU can still be sent or received.

---



## Configuring VPLS MTU enforcement

The user can set the device to enforce the VPLS MTU value when establishing control sessions with peers. This is done globally on the Brocade device using the `vpls-mtu-enforcement` command.

```
Brocade(config)# router mpls
Brocade(config-mpls)# vpls-mtu-enforcement
```

Syntax: `[no] vpls-mtu-enforcement`

---

### NOTE

The `vpls-mtu-enforcement` command is global to all VPLS instances. It requires a reload to take effect.

---

## Configuring VPLS local switching

VPLS local switching is enabled by default, so packets received on a VPLS endpoint are flooded or forwarded to other VPLS endpoints belonging to the VPLS instance. This mode of operation does not require any configuration.

Using the `no vpls-local-switching` command, the user can disable VPLS local switching. With VPLS local switching disabled, packets are only flooded to the VPLS peers in a VPLS instance and not to the other VPLS endpoints belonging to that instance. Also, unicast traffic is discarded when it is received on a VPLS endpoint and is meant to go out on another VPLS endpoint.

The user can disable VPLS local switching behavior on a per-VPLS basis using the `no vpls-local-switching` command.

```
Brocade(config)# router mpls
Brocade(config-mpls)# vpls test 100
Brocade(config-mpls-vpls-test)# no vpls-local-switching
```

Syntax: `[no] vpls-local-switching`

Once the `no vpls-local-switching` command has been used to disable VPLS local switching, the user can use the command without the `[no]` option to turn VPLS local switching on.

## Special considerations

When using the VPLS local switching feature, consider the following:

- When the user toggles this option, all the MAC addresses that were learned on the VPLS endpoints are flushed and re-learned
- This option does not affect IGMP and PIM snooping. Multicast traffic continues forwarding only to those VPLS endpoints and peers from which a Join for the (S,G) is requested, regardless of the status of the local switching option
- IEEE 802.1ag packets follow the local switching option. In other words, packets are forwarded or flooded to other VPLS endpoints when local switching is enabled and discarded when local switching is disabled.

## Enabling MPLS VPLS traps

The user can enable traps that are generated for MPLS VPLS by entering the following command.

```
Brocade(config)# snmp-server enable trap mpls vpls
```

Syntax: [no] snmp-server enable trap mpls vpls

Refer to the *Unified IP MIB Reference* for MPLS VPLS trap notifications.

## Disabling Syslog messages for MPLS VPLS

The generation of Syslog messages for MPLS VPLS and MPLS VLL Local is enabled by default. When the user wants to disable the logging of these events, enter the following command.

```
Brocade(config)# no logging enable mpls
```

Syntax: [no] logging enable mpls

## VPLS extended counters

With the support of ingress and egress port VLAN counters on the Brocade MLXe series 8x10G module, the port VLAN counters are enabled by default for all the VPLS instances. As a result, the user can count the number of packets and bytes that are received and sent on a particular endpoint or all the endpoints of the VPLS instances. The user can also count per-priority statistics on each endpoint by enabling per-VLAN, port, and priority-based accounting mode on the ingress and egress counters at the global configuration level.

---

### NOTE

The extended counters for dual tag endpoints are not supported both on the ingress and egress ports.

---

To disable the extended counters globally for all the VPLS instances, enter the following command.

```
Brocade(config-mpls)# vpls-policy  
Brocade(config-mpls-vpls-policy)# no extended-counters
```

Syntax: [no] extended-counters

When the extended counters are disabled globally, the user can enable the extended counters for a particular VPLS instance by entering the following command.

```
Brocade(config-mpls-vpls-test10)# extended-counters on
```

Syntax: [no] extended-counters [on | off]

The on option enables extended counters for a particular VPLS instance. The off option disables extended counters for a particular VPLS instance.

## Displaying VPLS extended counters

When extended counters are enabled for a particular VPLS instance either by default or explicit configuration, the user can display the number of bytes and packets received and sent on a particular endpoint or all the endpoints of that particular VPLS instance. The counters are displayed whether or not the per-VLAN, port, and priority-based accounting mode is enabled at the global configuration level.

When the per-VLAN, port, and priority-based accounting mode is enabled at the global configuration level, the following output is displayed for the show mpls statistics vpls extended-counters command.

```
Brocade# show mpls statistics vpls 10 extended-counters vlan 10 ethernet 3/2
VPLS Extended Counters (only applicable for G2 modules):
VPLS Name: test, VPLS Id: 10
VPLS Vlan: vlan 10
Interface      RxPkts      TxPkts      RxBytes      TxBytes
eth 3/2        4841670     4841670     2595135120   2595135120
  p0           4841670     4841670     2595135120   2595135120
  p1            0           0           0            0
  p2            0           0           0            0
  p3            0           0           0            0
  p4            0           0           0            0
  p5            0           0           0            0
  p6            0           0           0            0
  p7            0           0           0            0
```

When the per-VLAN, port, and priority-based accounting mode is disabled, the following output is displayed for the show mpls statistics vpls extended-counters command.

```
Brocade# show mpls statistics vpls 10 extended-counters vlan 10 ethernet 3/2
VPLS Extended Counters (only applicable for G2 modules):
VPLS Name: test, VPLS Id: 10
VPLS Vlan: vlan 10
Interface      RxPkts      TxPkts      RxBytes      TxBytes
eth 3/2        4841670     4841670     2595135120   2595135120
```

Syntax: show mpls statistics vpls [*vpls-name* | *vpls-id* [extended-counters [[*vlan vlan-id*] [*ethernet port-id*]]]]

The *vpls-name* parameter specifies the configured name for a VPLS instance.

The *vpls-id* parameter specifies the ID of a VPLS instance.

The extended-counters keyword enables the extended counters for a particular VPLS instance.

The *vlan vlan-id* parameter specifies the ID of the configured VLAN.

The *ethernet port-id* parameter specifies the port ID of the interface for which the user wants to display the counters.

### 3 Clearing VPLS extended counters

Table 74 describes the output parameters of the show mpls statistics vpls extended-counters command.

**TABLE 74** Output of the show mpls statistics vpls extended-counters command

Field	Description
VPLS Name	The configured name for a VPLS instance.
VPLS Id	The ID of the VPLS instance.
VPLS Vlan	The ID of the configured VLAN.
Interface	The port ID of the interface for which the user wants to display the counters.
RxPkts	The number of packets received at the specified port.
TxPkts	The number of packets transmitted from the specified port.
RxBytes	The number of bytes received at the specified port.
TxBytes	The number of bytes transmitted from the specified port.

## Clearing VPLS extended counters

To clear all the port VLAN counters for a particular VPLS instance, enter the following command. The command does not clear the existing Endpt-Out-Pkts and Tnl-Out-Pkts statistics.

```
Brocade# clear mpls statistics vpls 10 extended-counters
```

To clear all the port VLAN counters for a particular VPLS instance and port under a specific VPLS VLAN, enter the following command. This command is supported only for a single VLAN instance and is not supported for the dual tag endpoints.

```
Brocade# clear mpls statistics vpls 10 extended-counters vlan 10
```

To clear all the port VLAN counters for all the endpoints of a particular VPLS instance, enter the following command. When the VPLS endpoint is a Link Aggregation Group (LAG), then the counters only for the given physical port are cleared.

```
Brocade# clear mpls statistics vpls 10 extended-counters vlan 10 ethernet 3/2
```

To clear all the port VLAN counters for the given priority of a particular VPLS endpoint, enter the following command.

```
Brocade# clear mpls statistics vpls 10 extended-counters vlan 10 ethernet 3/2 p1
```

Syntax: clear mpls statistics vpls [*vpls-name* | *vpls-id* [extended-counters [[*vlan vlan-id*] [*ethernet port-id* [*priority pri*]]]]]

The *vpls-name* parameter specifies the configured VPLS name for which the user wants to clear the counters.

The *vpls-id* parameter specifies the ID of a VPLS instance for which the user wants to clear the counters.

The vlan *vlan-id* parameter specifies the ID of the configured VLAN for which the user wants to clear the counters.

The ethernet *port-id* parameter specifies the port ID of the interface for which the user wants to clear the counters.

The priority *pri* parameter specifies a priority queue for a particular VPLS endpoint for which the user wants to clear the counters.

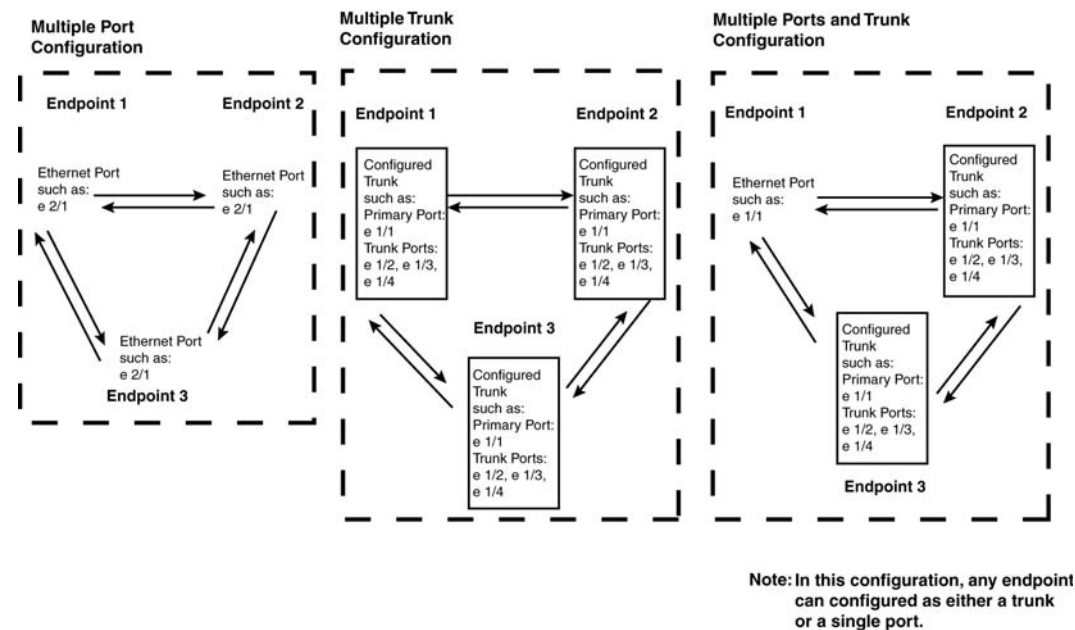
## Local VPLS

Local VPLS is used to create a VPLS circuit with endpoints in the same device. A Local VPLS can be configured between two or more ports in a router, two or more LAGs in a router, or between a port and a LAG as shown in Figure 55. Each entity (port or LAG) is identified as “Endpoint 1”, Endpoint 2” or “Endpoint 3”.

### NOTE

Trunks supported include server LAGs, per-packet server LAGs, and Link Aggregation Control Protocol (LACP) LAGs.

FIGURE 55 Local VPLS port and LAG configurations



### NOTE

When configuring a LAG as an endpoint, only the primary port of the LAG is specified in the Local VPLS configuration.

### NOTE

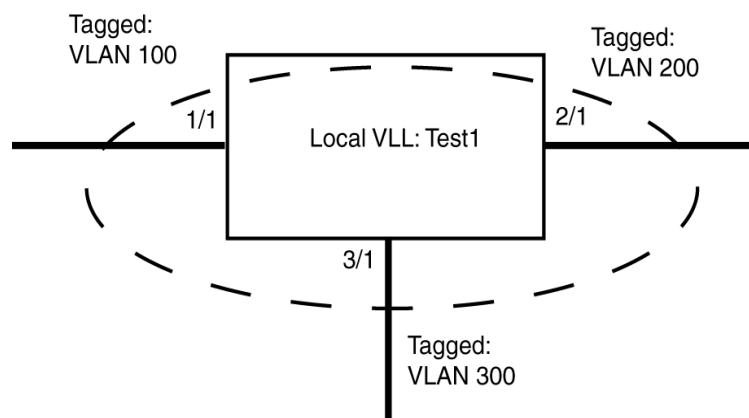
Packets that arrive on an interface with the same destination MAC address as the interface are forwarded in hardware just like packets with other destination addresses.

The endpoints connected to the Local VPLS can be untagged, dual tagged, or single-tagged as members of the same or different VLANs. Using this function of Local VPLS, a router can receive packets with particular tags or no tag on one endpoint and forward them to the Local VPLSs other endpoint, which may be untagged, dual-tagged, or single-tagged with a different VLAN tag. When so configured, the tags within the packets are changed to reflect the configuration of the egress port as they leave the router. This configuration performs the same function that the VLAN translation feature performed in releases prior to 4.0.00.

## Example Local VPLS configuration

In [Figure 56](#) the Local VPLS named “Test1” contains Ethernet ports 1/1, 2/1, and 3/1. Port 1/1 is a member of VLAN 100, port 2/1 is a member of VLAN 200, and port 3/1 is a member of VLAN 300. Because all of the ports belong to Local VPLS “Test1”, traffic tagged with any of the configured tags (100, 200, or 300) can reach traffic within any of the three VLANs. For example, traffic that ingresses on port 1/1 must have a tag with the value “100” and egresses on port 2/1 with a tag value of “200” or egress on port 3/1 with a tag value of “300”.

**FIGURE 56** Local VPLS “Test1” with three tagged VLANs



```
Brocade(config)# router mpls
Brocade(config-mpls)# vpls-test1 5000
Brocade(config-mpls-vpls-test1)# vlan 100
Brocade(config-mpls-vpls-test1-vlan-100)# tagged ethernet 1/1
Brocade(config-mpls-vpls-test1-vlan-100)# vlan 200
Brocade(config-mpls-vpls-test1-vlan-200)# tagged ethernet 2/1
Brocade(config-mpls-vpls-test1-vlan-200)# vlan 300
Brocade(config-mpls-vpls-test1-vlan-300)# tagged ethernet 3/1
```

## CoS behavior for Local VPLS

### NOTE

This section assumes that the user understands how QoS works.

[Table 75](#) describes the expected Class of Service (CoS) behavior for VPLS packets when Local VPLS is in effect.

**TABLE 75** Expected class of service behavior for Local VPLS

Local VPLS endpoints	Incoming packet		Outgoing packet	
	Outer VLAN	Inner VLAN	Outer VLAN	Inner VLAN
Dual-tagged to dual-tagged	X	Y	X' or X	Y
Single-tagged to dual-tagged	X	N/A	X' or X	X
Untagged to dual-tagged	N/A	N/A	X' or 0	0
Dual-tagged to single-tagged	X	Y	X' or Y	N/A

Legend for Table 75

X = Original outer VLAN CoS.

Y = Original inner VLAN CoS.

X' = Mapped CoS from internal priority (X contributes to internal priority) using CoS encode table.

## Specifying Local VPLS endpoints

Local VPLS can be configured between any combination of dual-tagged, single-tagged, and untagged endpoints.

The following procedures describe how to configure VPLS endpoints:

- [“Configuring an untagged endpoint”](#)
- [“Configuring a single-tagged endpoint”](#)
- [“Configuring a dual-tagged endpoint”](#)

### Configuring an untagged endpoint

To configure untagged port 1/1 into Local VPLS instance “test1”, use the following commands.

```
Brocade(config)# router mpls
Brocade(config-mpls)# vpls test1 5000
Brocade(config-mpls)# vlan 100
Brocade(config-mpls-vpls-test1)# untagged ethernet 1/1
```

Syntax: [no] untagged ethernet *slot/port/vpls-id*

The *vpls-id* variable is the ID of a VPLS instance.

### Configuring a single-tagged endpoint

Tagged ports are configured under a VLAN ID. This VLAN ID is only meaningful for the tagged port.

For tagged ports, a *vlan-id, port* variable pair constitutes a VPLS endpoint. When a port is currently a member of a non-default VLAN as an untagged port, it must be returned to the default VLAN before it can be assigned to a VPLS as a tagged port.

To configure a tagged port 1/2 with VLAN 200 into Local VPLS instance “test1”, use the following commands.

## 3 Displaying VPLS information

```
Brocade(config)# router mpls
Brocade(config-mpls)# vpls test1
Brocade(config-mpls-vpls-test1)# vlan 200
Brocade(config-mpls-vpls-test1-vlan-200)# tagged ethernet 1/2
```

Syntax: vlan *VLAN-ID*

The range for *VLAN ID* from 1 through 4094. (This parameter range excludes the default VLAN ID.)

Syntax: [no] tagged ethernet *slot/port*

The *slot/port* variable specifies the port that is a tagged ethernet port.

### Configuring a dual-tagged endpoint

A dual-tagged endpoint enables packets to have both an outer VLAN tag and an inner VLAN tag. In this configuration, an endpoint can receive packets with two tags and forward them to the other endpoint either untagged, single-tagged, or dual-tagged.

---

#### NOTE

Dual-tagged endpoints for Local VPLS follow the same configuration rules as do endpoints of a VPLS instance. Before configuring a dual-tagged endpoint, see [“Special considerations for dual-tagged endpoints”](#).

---

To configure a dual-tagged endpoint for Local VPLS, use the following commands.

```
Brocade(config)# router mpls
Brocade(config-mpls)# vpls test1
Brocade(config-mpls-vpls-test1)# vlan 200 inner-vlan 300
Brocade(config-mpls-vpls-test1-vlan-200)# tagged ethernet 1/2
```

Syntax: [no] vlan *VLAN-ID* inner-vlan *VLAN-ID*

Syntax: [no] tagged ethernet *slot/port*

The vlan *VLAN-ID* variable, which is the outer VLAN ID, can be in the range from 1 through 4094 and excludes the default VLAN ID.

The inner-vlan *VLAN-ID* variable can be in the range from 1 through 4095 and includes the default VLAN ID.

Use the no form of the command to remove the dual-tagged VPLS VLAN configuration and its associated endpoints. For example, the command no vlan 200 inner-vlan 300 removes the dual-tagged VLAN and associated endpoints. The single-tagged VLAN, vlan 200, is not deleted. Similarly, the command no vlan 200 removes the single-tagged VLAN, vlan 200, and associated endpoints. The dual-tagged VLAN, vlan 200 inner-vlan 300, is not deleted.

## Displaying VPLS information

The user can display the following information about the VPLS configuration on the device:

- VPLS summary information



- Information about individual VPLS instances configured on the device
- Detailed information about VPLS instances
- Information about a specified VPLS ID or VPLS name
- Information about VPLS instances that are not fully operational
- The contents of the VPLS MAC database for a VPLS instance
- The VPLS MAC database entries on the Management Processor (MP)
- VPLS traffic statistics
- VPLS CPU protection configuration status

## Display considerations for VPLS information

The VPLS information that is displayed in the output of the `show mpls vpls` commands has changed. Previously, when a VPLS was created, a range of VC labels was allocated to the VPLS instance. Now, there is no pre-allocation of VC label ranges to a VPLS instance.

The range of the allocated VC labels is no longer displayed in the output of the following `show mpls vpls` commands. Refer to the subsequent sections for more information on changes to the `show mpls vpls` command outputs:

- `show mpls vpls brief` - “[Displaying information about VPLS instances](#)” on page 498
- `show mpls vpls detail` - “[Displaying detailed information about VPLS instances](#)” on page 498
- `show mpls vpls down` - “[Displaying information about VPLS instances that are not operational](#)” on page 505
- `show mpls vpls id` - “[Displaying information about a specified VPLS ID or VPLS name](#)”
- `show mpls vpls summary` - “[Displaying VPLS summary information](#)”

## Displaying VPLS summary information

The `show mpls vpls summary` command has changed. The VC label allocation range size field is no longer displayed in the output of the `show mpls vpls summary` command.

The user can display a summary of VPLS information, including the number of VPLS instances, number of VPLS peers, maximum size of the VPLS MAC database, VPLS raw mode, and the values of the VPLS global MTU, and the value of the remote VC MTU.

```
Brocade# show mpls vpls summary
Virtual Private LAN Service summary:
Total VPLS configured: 3, maximum number of VPLS allowed: 4096
Total VPLS peers configured: 1, total peers operational: 1
Maximum VPLS macentries allowed: 8192, currently installed: 3
VPLS global raw mode VC-Type is Ethernet (0x5)
VPLS global MTU is 1500, MTU enforcement is OFF
Global CPU protection: OFF
MVIDs in use: 1 of 1 total allocated
```

Syntax: `show mpls vpls summary`

## Displaying information about VPLS instances

The show mpls vpls brief command has changed. The Num VC-label field is no longer displayed in the output of the show mpls vpls brief command.

To display information about VPLS instances configured on the device, enter the following command.

```
Brocade show mpls vpls brief
```

Name	Id	Num Vlans	Num Ports	Ports Up	Num Peers	Peers Up	IFL-ID	CPU Prot	VC Mode
1	1	2	2	2	1	1	4096	OFF	TAGGED
2	2	1	0	0	1	0	n/a	OFF	RAW
3	3	2	6	4	2	1	n/a	OFF	RAW

Syntax: show mpls vpls brief

Table 76 lists the output displayed by the show mpls vpls brief command.

**TABLE 76** Output from the show mpls vpls brief command

Field	Description
Name	The configured name of the VPLS instance.
Id	The ID of this VPLS instance.
Num Vlans	The total number of single-tagged and dual-tagged VLANs associated with this VPLS instance.
Num Ports	The number of ports in this VPLS instance.
Ports Up	The number of ports in this VPLS instance that are up.
Num Peers	The number of VPLS peers this device has for this VPLS instance.
Peers Up	The number of VPLS peers with which a VC connection is completely operational.
IFL-ID	The Internal Forwarding Lookup Identifier (IFL-ID) for dual-tagged VLAN ports in this VPLS instance.
CPU Prot	Whether CPU protection configured on this VPLS instance is ON or OFF.
VC Mode	The VC mode for the VPLS instance: <ul style="list-style-type: none"> <li>• Raw – The VLAN tag information in the original payload is not carried across the MPLS cloud.</li> <li>• Tagged – The VLAN tag information in the original payload is carried across the MPLS cloud.</li> </ul>

## Displaying detailed information about VPLS instances

The show mpls vpls detail command has changed. The total VC labels allocated field is no longer displayed in the output of the show mpls vpls detail command.

To display more detailed information about each VPLS instance, enter the following command.

```

Brocade# show mpls vpls detail
VPLS 3, Id 3, Max mac entries: 8192
Total vlans: 2, Tagged ports: 2 (1 Up), Untagged ports 0 (0 Up)
IFL-ID: n/a
  Vlan 500
    Tagged: ethe 1/3
  Vlan 600
    Tagged: ethe 1/4
VC-Mode: Raw
Total VPLS peers: 1 (1 Operational)
Peer address: 21.21.21.21, State: Operational, Uptime: 1 min
  Tnml in use: tn10(3)
  LDP session: Up, Local VC lbl: 983040, Remote VC lbl: 983040
  Local VC MTU: 1500, Remote VC MTU: 9174
  Local VC-Type: Ethernet(0x05), Remote VC-Type: Ethernet(0x05)
CPU-Protection: OFF [Resource FID Failure, Retry in 18 seconds (approximate)]
Local Switching: Enabled
Extended Counter: ON
Mutlicast Snooping: Disabled
    
```

Syntax: show mpls vpls detail

The information related to the status of extended counters is shown in bold text in the previous output.

Table 77 lists the output displayed by the show mpls vpls detail command.

**TABLE 77** Output from the show mpls vpls detail command

Field	Description
VPLS	The configured name of the VPLS instance.
Id	The ID of this VPLS instance.
Max mac entries	The maximum number of MAC address entries that can be learned for this VPLS instance. This is a soft limit only and can be exceeded when there is space available in the VPLS MAC database.
Total vlans	The number of VLANs that are translated for this VPLS instance.
Tagged ports	The total number of tagged ports that are associated with VLANs in this VPLS instance, as well as the number of these ports that are up.
Untagged ports	The total number of untagged ports that are associated with VLANs in this VPLS instance, as well as the number of these ports that are up.
IFL-ID	The Internal Forwarding Lookup Identifier (IFL-ID) for dual-tagged ports in the VPLS instance.
Vlan	The ID of each VLAN in this VPLS instance.
Tagged	The numbers of the tagged ports in each VLAN.
Untagged	The numbers of the untagged ports in each VLAN.
VC-Mode	The VC mode for the VPLS instance: <ul style="list-style-type: none"> <li>Raw – The VLAN tag information in the original payload is not carried across the MPLS cloud</li> <li>Tagged – The VLAN tag information in the original payload is carried across the MPLS cloud</li> </ul>

### 3 Displaying VPLS information

**TABLE 77** Output from the show mpls vpls detail command (Continued)

Field	Description
Total VPLS peers	The number of VPLS peers this device has for this VPLS instance, as well as the number of these VPLS peers with which this device has an LDP session.
Peer address	The IP address of the VPLS peer.
State	The current state of the connection with the VPLS peer. This can be one of the following states: <ul style="list-style-type: none"> <li>Operational – The VPLS instance is operational. Packets can flow between the device and the peer</li> <li>Wait for functional local ports – The physical endpoint port that must be connected to the Customer Edge device is down due to a link outage or is administratively disabled</li> <li>Wait for LSP tunnel to Peer – The device cannot find a working tunnel LSP</li> <li>Wait for PW Up (Wait for LDP session to Peer)– The LDP session is not yet ready</li> <li>Wait for PW Up (Wait for remote VC label) - The device has advertised its VC label binding to the VPLS peer, but has not yet received the peer's VC label binding</li> <li>Wait for PW Up (VC type mismatched) – A session is not formed because the VC type does not match with its peer's VC type</li> <li>Wait for PW Up (MTU mismatched) – The MTU sent to a peer is derived from the device's global setting by the following formula: (system-mtu minus 26 bytes). When a system-mtu value is not configured, a default value of 1500 is sent.</li> <li>Wait for PW Up (Wait for LDP session to Peer) - The LDP session to the peer is down</li> <li>Wait for PW Up (No Label Resource) - When configuring a new VPLS peer, the maximum amount of VC labels that can be supported may exceed 64K, and cause the configuration to be rejected. The maximum amount of VC labels available for VPLS instances is equal to 64K.</li> </ul>
Uptime	The time in minutes that the entry has been operational.
Tnnl in use	The tunnel LSP used to reach the VPLS peer. When VPLS traffic to the peer is load balanced across multiple tunnel LSPs, the tunnel LSPs used to reach the peer are displayed.
LDP session	The state of the LDP session between this device and the VPLS peer.
Local VC lbl	The VC label value locally allocated for this peer for this VPLS instance. Packets forwarded from the VPLS peer to this device are expected to contain this label. This is the label that is advertised to the VPLS peer through LDP.
Remote VC lbl	The VC label allocated by the VPLS peer and advertised to this device through LDP. The device applies this label to outbound MPLS packets sent to the VPLS peer.
Local VC MTU	The MTU value locally configured for this peer.
Remote VC MTU	The MTU value configured for the remote VPLS peer.
Local VC-Type	The VC type for this peer.
Remote VC-Type	The VC type for the remote VPLS peer.
CPU-Protection	Whether CPU protection configured on this VPLS instance is ON or OFF. On Brocade NetIron XMR and Brocade MLX series devices only: When CPU protection is enabled on this VPLS instance but is temporarily unavailable due to 100% multicast FID usage, this field includes the message shown above.
Local Switching	Whether local switching behavior on a per-VPLS basis is enabled or disabled.
Extended Counter	Indicates whether or not the extended counter is enabled for the configured VPLS.
Multicast Snooping	Indicates whether the multicast snooping is enabled or disabled.

The Wait for LDP session to Peer state is no longer displayed in the output of the show mpls vpls detail command. The Wait for Pseudo Wire (PW) Up (Wait for LDP session to Peer) state is now displayed, and replaces the existing state. The total VC labels allocated field is also removed from the output. In the following example, the LDP session to the remote peer is down. The Local VC lbl field displays N/A (not applicable).

```
Brocade# show mpls vpls detail
VPLS NO_LDP, Id 500, Max mac entries: 8192
  Total vlans: 1, Tagged ports: 1 (1 Up), Untagged ports 0 (0 Up)
  IFL-ID: 4101
  Vlan 880 inner-vlan 35
  Tagged: ethe 8/2
  VC-Mode: Tagged
  Total VPLS peers: 1 (0 Operational)
Peer address: 66.66.66.66, State: Wait for PW Up (Wait for LDP session to Peer)
  Tnnl in use: tn15(6)
  LDP session: Down, Local VC lbl: N/A, Remote VC lbl: N/A
  Local VC MTU: 1500, Remote VC MTU: 0,
  LOCAL VC-Type: Ethernet Tagged (0x04), Remote VC-Type: UNKNOWN
  CPU-Protection: OFF
  Local Switching: Enabled
  Extended Counter: ON
```

The maximum number of VC labels available for VPLS instances is equal to 64K. When configuring a new VPLS peer, the total number of VPLS peers exceeds 64K, and causes the configuration to be rejected. The following error message is displayed on the console.

```
Brocade(config-mpls-vpls-1)# vpls-peer 10.23.23.23
Error - Unable to create vpls peer 10.23.23.23 for VPLS 1 due to no VC label resource.
```

The Wait for PW Up (No label Resource) state is introduced in the output of the show mpls vpls detail command. In the following example, the Wait for PW Up (No label Resource) state is highlighted.

```
Brocade# show mpls vpls detail
VPLS waiting_for_remote_label, Id 400, Max mac entries: 8192
  Total vlans: 1, Tagged ports: 1 (1 Up), Untagged ports 0 (0 Up)
  IFL-ID: 4100
  Vlan 900 inner-vlan 245
  Tagged: ethe 7/1
  VC-Mode: Tagged
  Total VPLS peers: 1 (0 Operational)
Peer address: 10.55.55.55, State: Wait for PW Up (No Label Resource)
  Tnnl in use: tn14(5)
  LDP session: Up, Local VC lbl: N/A, Remote VC lbl: N/A
  Local VC MTU: 1500, Remote VC MTU: 0,
  LOCAL VC-Type: Ethernet Tagged (0x04), Remote VC-Type: UNKNOWN
  CPU-Protection: OFF
  Local Switching: Enabled
  Extended Counter: ON
```

When the system runs out of memory, a warning message is displayed on the console. To recover from this state, the user is required to delete the failed peer and reconfigure it. VPLS generates the following warning messages.

### 3 Displaying VPLS information

WARNING: VPLS id 3 Peer IP Address: 10.21.21.21 is placed in VC Bind Failure state due to low system memory.

WARNING: VPLS id 3 Peer IP Address: 10.11.11.11 is placed in VC Withdraw Failure state due to low system memory.

## Displaying information about a specified VPLS ID or VPLS name

The `show mpls vpls id vpls-id` command displays detailed information about a specified VPLS ID. The `show mpls vpls name vpls-name` command displays detailed information about a VPLS name. The output of the `show mpls vpls id vpls-id` command, and the output of the `show mpls vpls name vpls-name` command display the same information for a configured VPLS instance. The display changes that are described below are applicable to both the `show mpls vpls id vpls-id` command, and `show mpls vpls name vpls-name` command.

When the remote peer is in an operational state, the total VC labels allocated field no longer displays in the output of the `show mpls vpls id vpls-id` command, as shown in the following example.

```
Brocade# show mpls vpls id 3
VPLS name_raw, Id 3, Max mac entries: 8192
Total vlans: 1, Tagged ports: 3 (3 Up), Untagged ports 0 (0 Up)
  IFL-ID: 4097
  Vlan 300 inner-vlan 500
  Tagged: ethe 3/1 ethe 3/11 ethe 3/13
VC-Mode: Raw
Total VPLS peers: 1 (1 Operational)
Peer address: 10.200.200.200, State: Operational, Uptime: 1 hr 10 min
  Tnnl in use: tn11(4)
  LDP session: Up, Local VC lbl: 983072, Remote VC lbl: 983072
  Local VC MTU: 1500, Remote VC MTU: 1500
  LOCAL VC-Type: Ethernet (0x05), Remote VC-Type: Ethernet (0x05)
CPU-Protection: OFF
Local Switching: Enabled
```

When a VC type mismatch occurs, the output from the `show mpls vpls id vpls-id` command displays the Wait for PW Up (VC type mismatched) state. The Wait for VC parameter check (VC type mismatched) state no longer displays. The total VC labels allocated field is also removed from the output. In the following example, a VC type mismatch has occurred, and the PW is down. The local VC MTU and the remote VC MTU are not known by VPLS so there is no information to display. The Local VC lbl field, the Remote VC lbl field, and the Remote VC MTU field display N/A (non applicable).

```
Brocade# show mpls vpls id 200
VPLS vc_mismatched, Id 200, Max macentries: 8192
Total vlans: 1, Tagged ports: 1 (1 Up), Untagged ports 0 (0 Up)
IFL-ID: 4098
Vlan200 inner-vlan145
Tagged: ethe2/1
VC-Mode: Tagged
Total VPLS peers: 1 (0 Operational)
Peer address: 10.33.33.33, State: Wait for PW Up (VC type mismatched)
Tnnlin use: tnl0(2)
LDP session: Up, Local VC lbl: N/A, Remote VC lbl: N/A
Local VC MTU: 1500, Remote VC MTU: N/A
LOCAL VC-Type: Ethernet Tagged (0x04), Remote VC-Type: Ethernet (0x05)
```

When a MTU mismatch occurs, the output from the `show mpls vpls id vpls-id` command displays the Wait for PW Up (MTU mismatched) state. The Wait for VC parameter check (MTU mismatched) state no longer displays. The total VC labels allocated field is also removed from the output. In the following example, a MTU mismatch has occurred, and the PW is down. The Local VC lbl field and the Remote VC lbl field display N/A (not applicable).

---

**NOTE**

When both the VC type and MTU are mismatched, only the output from the VC type mismatch is displayed on the console.

---

```
Brocade# show mpls vpls id 300
VPLS mtu_mismatched, Id 300, Max macentries: 8192
Total vlans: 1, Tagged ports: 1 (1 Up), Untagged ports 0 (0 Up)
IFL-ID: 4099
Vlan100 inner-vlan145
Tagged: ethel/1
VC-Mode: Tagged
Total VPLS peers: 1 (0 Operational)
Peer address: 10.44.44.44, State: Wait for PW Up (MTU mismatched)
Tnnlin use: tnl3(3)
LDP session: Up, Local VC lbl: N/A, Remote VC lbl: N/A
Local VC MTU: 1500, Remote VC MTU: 2500,
LOCAL VC-Type: Ethernet Tagged (0x04), Ethernet Tagged (0x04)
```

The Wait for remote VC label from Peer state no longer displays in the output of the `show mpls vpls id vpls-id` command. The Wait for PW Up (Wait for remote VC label) state now displays, and replaces the existing state. The total VC labels allocated field is also removed from the output. In the following example, the PW is down and it is waiting for the VC label of the remote peer to advertise to the VPLS peer. The Local VC lbl field and the Remote VC MTU field displays N/A (non applicable).

### 3 Displaying VPLS information

```
Brocade# show mpls vpls id 400
VPLS waiting_for_remote_label, Id 400, Max macentries: 8192
Total vlans: 1, Tagged ports: 1 (1 Up), Untagged ports 0 (0 Up)
IFL-ID: 4100
Vlan900 inner-vlan245
Tagged: ethe7/1
VC-Mode: Tagged
Total VPLS peers: 1 (0 Operational)
Peer address: 10.55.55.55, State: Wait for PW Up (Wait for remote VC label)
Tnnlin use: tnl4(5)
LDP session: Up, Local VC lbl: N/A, Remote VC lbl: N/A
Local VC MTU: 1500, Remote VC MTU: N/A,
LOCAL VC-Type: Ethernet Tagged (0x04), Remote VC-Type: UNKNOWN
```

The Wait for PW Up (VC Bind in Progress) state is introduced in the output of the show mpls vpls id *vpls-id* command. The total VC labels allocated field is removed from the output. In the following example, the PW is down, and local VC binding is still in progress. The Local VC lbl field and the Remote VC MTU field display N/A (non applicable).

```
Brocade# show mpls vpls id 400
VPLS waiting_for_remote_label, Id 400, Max macentries: 8192
Total vlans: 1, Tagged ports: 1 (1 Up), Untagged ports 0 (0 Up)
IFL-ID: 4100
Vlan900 inner-vlan245
Tagged: ethe7/1
VC-Mode: Tagged
Total VPLS peers: 1 (0 Operational)
Peer address: 10.55.55.55, State: Wait for PW Up (VC Bind in Progress)
Tnnlin use: tnl4(5)
LDP session: Up, Local VC lbl: N/A, Remote VC lbl: N/A
Local VC MTU: 1500, Remote VC MTU: N/A,
LOCAL VC-Type: Ethernet Tagged (0x04), Remote VC-Type: UNKNOWN
```

The show mpls vpls id *vpls-id* command displays the tunnel LSPs that are being used to forward VPLS traffic from the device to the peer. When VPLS traffic to a peer is being load balanced across multiple tunnel LSPs, then the command lists the tunnel LSPs used for load balancing, as shown in the example below.

```
Brocade# show mpls vpls id 5
VPLS test5, Id 5, Max mac entries: 2048
Total vlans: 1, Tagged ports: 1 (1 Up), Untagged ports 0 (0 Up)
  Vlan 50
    Tagged: ethe 5/3
  VC-Mode: Raw
Total VPLS peers: 1 (1 Operational)
Peer address: 10.5.5.5, State: Operational, Uptime: 28 min
  Tnnl (load balance): tnl0(3) tnl2(3) tnl1(3)
LDP session: Up, Local VC lbl: 983040, Remote VC lbl: 983040
```

Syntax: show mpls vpls id *vpls-id*

Syntax: show mpls vpls name *vpls-name*



The *vpls-id* variable is the ID of a VPLS instance. The *vpls-name* variable is the name of a VPLS instance.

## Displaying VPLS CPU protection configuration status

The `show mpls vpls id` command has changed. The total VC labels allocated field is no longer displayed in the output of the `show mpls vpls id` command.

To see the VPLS CPU protection configuration status for a specified VPLS, use the `show mpls vpls id` command.

```
Brocade(config)# show mpls vpls id 1
VPLS test1, Id 1, Max mac entries: 2048
  Total vlans: 1, Tagged ports: 1 (0 Up), Untagged ports 1 (1 Up)
  Vlan 2
    Tagged: ethe 5/4
    Untagged: ethe 2/2
  Total VPLS peers: 1 (0 Operational)
  Peer address: 10.1.1.1, State: Wait for remote VC label from Peer
  Tnl1: tn10(3), LDP session: Up, Local VC lbl: 983040, Remote VC lbl: N/A
CPU-Protection: ON, MVID: 0x000, VPLS FID: 0x00000205
```

The CPU protection status is highlighted in the previous example. It can be either on or off. When CPU protection status is enabled on the VPLS but is temporarily off due to unavailable FID resources, the following message is shown in the CPU-Protection field:

```
CPU-Protection: OFF [Resource FID Failure, Retry in 18 seconds (approximate)]
```

Syntax: `show mpls vpls id [vpls-id]`

The *vpls-id* variable is the ID of a VPLS instance.

## Displaying information about VPLS instances that are not operational

The `show mpls vpls down` command has changed. The Num VC-label field no longer displays in the output of the `show mpls vpls down` command.

To display information about VPLS instances that are not fully operational, enter the following command.

```
Brocade# show mpls vpls down
The following VPLS's are not completely operational:
```

Name	Id	Num Vlans	Num Ports	Ports Up	Num Peers	Peers Up
test1	1	1	1	1	1	0
test2	2	1	2	1	1	0
test3	3	1	1	1	1	0
test4	4	1	2	1	1	0

Syntax: `show mpls vpls down`

## Displaying the contents of the VPLS MAC database

The VPLS MAC database stores entries associating remote MAC addresses with VC LSPs and local MAC addresses with CE devices. When a PE device receives a Layer 2 frame from an attached CE device with a given destination MAC address, the PE device looks up the MAC address in the VPLS MAC database and assigns the frame to the associated VC LSP. Each VPLS instance configured on the PE device has a separate VPLS MAC database.

---

### NOTE

It is possible in a loaded system that entries keep aging for few seconds. The age resets to zero (0) after some time and entries remain intact.

---

## Displaying VPLS MAC database entries on the Management Processor

To display the entire VPLS MAC database on the Management Processor (MP), enter the following command.

```
Brocade# show mac vpls
Total VPLS mac entries in the table: 10 (Local: 5, Remote: 5)
```

VPLS	MAC Address	L/R	Port	Vlan:Inner-Vlan	Age
====	=====	===	====	=====	===
1	0000.0000.1601	R	5/1	10.3.3.3	0
1	0000.0000.1003	L	5/3	2	0
1	0000.0000.1603	R	5/1	10.3.3.3	0
1	0000.0000.1005	L	5/3	2	0
1	0000.0000.1002	L	5/3	2	0
1	0000.0000.1605	R	5/1	10.3.3.3	0
1	0000.0000.1602	R	5/1	10.3.3.3	0
1	0000.0000.1004	L	5/3	2	0
1	0000.0000.1001	L	5/3	2	0
1	0000.0000.1604	R	5/1	10.3.3.3	0
1	0000.0001.0201	L	5/4	100:200	0

When a given remote VPLS MAC address is learned on multiple uplink interfaces, the Port field in the output of the show mac vpls command indicates “Mult.” instead of a port number. For example, this abbreviation might appear when all of the following are true:

- The remote PE establishes multiple LSPs to this device.
- Packets from a remote VPLS MAC address are load balanced across these LSPs.
- The packets arrive on different MPLS uplink interfaces at this device.

```
Brocade# show mac vpls
Total VPLS mac entries in the table: 2274 (Local: 8, Remote: 2266)
```

VPLS	MAC Address	L/R	Port	Vlan:Inner-Vlan /Peer	Age
3	0000.009b.d419	L	4/2	3	0
504	0000.0000.0067	R	Mult.	10.99.42.253	0
504	0000.0033.b24c	R	Mult.	10.99.42.253	0
504	0000.0073.6185	R	1/1	10.99.42.253	375
504	0000.0000.40cf	R	Mult.	10.99.42.253	0
504	0000.0019.d7f4	R	Mult.	10.99.42.253	0
504	0000.0044.d58b	R	Mult.	10.99.42.253	0
504	0000.005c.5a3b	R	Mult.	10.99.42.253	0
504	0000.0044.d696	R	Mult.	10.99.42.253	0

To see details for all the ports on which a remote VPLS MAC address has been learned, use the `show mac mpls vpls mac-address` command.

To display the VPLS MAC database on the MP for a VPLS instance specified by its VPLS ID, enter the following command.

```
Brocade# show mac vpls 1
Total MAC entries for VPLS 1: 10 (Local: 5, Remote: 5)
```

VPLS	MAC Address	L/R	Port	Vlan:Inner-Vlan /Peer	Age
1	0000.0000.1601	R	5/1	10.3.3.3	0
1	0000.0000.1003	L	5/3	2	0
1	0000.0000.1603	R	5/1	10.3.3.3	0
1	0000.0000.1005	L	5/3	2	0
1	0000.0000.1002	L	5/3	2	0
1	0000.0000.1605	R	5/1	10.3.3.3	0
1	0000.0000.1602	R	5/1	10.3.3.3	0
1	0000.0000.1004	L	5/3	2	0
1	0000.0000.1001	L	5/3	2	0
1	0000.0000.1604	R	5/1	10.3.3.3	0
1	0000.0001.0201	L	5/4	100:200	0

To display a specific entry in the VPLS MAC database on the MP, enter the following command.

```
Brocade# show mac vpls 1 0000.0000.1601
VPLS: 1          MAC: 0000.0000.1601    Age: 0
Remote MAC      Port: ethe 5/1          Peer: 10.3.3.3
Trunk slot mask: 00000000
```

Syntax: `show mac vpls [vpls-id [mac-address]]`

The `vpls-id` variable is the ID of a VPLS instance. When the user specifies the VPLS ID, the user can also specify a particular entry in the VPLS MAC database by adding the optional `mac-address` variable.

Table 78 lists the output displayed by the `show mac vpls` command.

**TABLE 78** Output from the show mac vpls command

Field	Description
Total VPLS mac entries in the table	The number of MAC addresses that have been learned in the database.
Local	The number of locally learned entries in the database.
Remote	The number of remotely learned entries in the database.
VPLS	The VC ID of the VPLS instance.
MAC Address	The MAC address of the entry.
L/R	Whether the entry was learned from local endpoints (L), or was learned from a remote VPLS peer (R).
Port	The port number for the entry.
Vlan:Inner-VLAN/Peer	For Local entries, the VLAN ID for the port; for dual-tagged VLANs, the outer VLAN ID followed by the inner VLAN ID; for Remote entries, the IP address of the VPLS peer.
Age	The age of the entry. The value on the MP is zero because the aging occurs on line card processors.

**NOTE**

The information displayed in the SA-CAM and DA-CAM index fields is not relevant for day-to-day management of the device. The information is used by engineering and technical support staff for debugging purposes.

## Displaying VPLS traffic statistics

The user can display VPLS traffic statistics, to view the forwarding counters for each VPLS configured on the system. The output shows a given port range that receives traffic, how many packets are sent out on local CE device endpoints, and how many are sent out of LSP tunnels to remote PE devices. When the port is a 10G port, a single port is displayed. When the module is a 40x1G module, a range of 10 1G ports is displayed.

**NOTE**

When CPU protection is on, flooded traffic received from an endpoint is not accounted by the VPLS statistics for endpoint-out packets even though they are locally switched.

To display all VPLS traffic statistics on a Brocade device, enter the following command.

```

Brocade# show mpls statistics vpls
VPLS-Name      In-Port(s)      Endpt-Out-Pkts  Tnl-Out-Pkts
-----
test2          e1/1            0                0
              e1/2            0                0
              e1/3            0                0
              e1/4            0                0
test2          e2/1 - e2/10    0                0
              e2/11 - e2/20  0                0
              e2/21 - e2/30  0                0
              e2/31 - e2/40  0                0
test3          e1/1            0                0
              e1/2            0                0
              e1/3            0                0
              e1/4            0                0
test3          e2/1 - e2/10    0                0
              e2/11 - e2/20  0                0
              e2/21 - e2/30  0                0
              e2/31 - e2/40  0                0
test4          e1/1            0                0
              e1/2            0                0
              e1/3            0                0
              e1/4            0                0
test4          e2/1 - e2/10    0                0
              e2/11 - e2/20  0                0
              e2/21 - e2/30  0                0
              e2/31 - e2/40  0                0
test4          e5/1            10354120822     0
              e5/2            0                0
              e5/3            0                2992416134
              e5/4            0                0
    
```

---

**NOTE**

The VPLS name is repeated for each module from which the statistics are collected, to be displayed on the MP console.

---

To display VPLS traffic statistics for a VPLS instance specified by its VPLS name, enter the following command.

```

Brocade# show mpls statistics vpls test4
VPLS-Name      In-Port(s)      Endpt-Out-Pkts  Tnl-Out-Pkts
-----
test4          e1/1            0                0
              e1/2            0                0
              e1/3            0                0
              e1/4            0                0
test4          e2/1 - e2/10    0                0
              e2/11 - e2/20  0                0
              e2/21 - e2/30  0                0
              e2/31 - e2/40  0                0
test4          e5/1            10828448712     0
              e5/2            0                0
              e5/3            0                3025869251
              e5/4            0                0
    
```

### 3 Clearing VPLS traffic statistics

To display VPLS traffic statistics for a VPLS instance specified by its VPLS ID, enter the following command.

```
Brocade# show mpls statistics vpls 4
VPLS-Name      In-Port(s)      Endpt-Out-Pkts  Tnl-Out-Pkts
-----
test4          e1/1             0                0
               e1/2             0                0
               e1/3             0                0
               e1/4             0                0
test4          e2/1 - e2/10    0                0
               e2/11 - e2/20   0                0
               e2/21 - e2/30   0                0
               e2/31 - e2/40   0                0
test4          e5/1             10828448712     0
               e5/2             0                0
               e5/3             0                3025869251
               e5/4             0                0
```

Syntax: show mpls statistics vpls [*vpls-name* | *vpls-id*]

The *vpls-name* variable is the configured name for a VPLS instance.

The *vpls-id* variable is the ID of a VPLS instance.

Table 79 lists the output displayed by the show mpls statistics vpls command.

**TABLE 79** Output from the show mpls statistics vpls command

Field	Description
VPLS-Name	The configured name of the VPLS instance.
In-Port(s)	The port where the traffic is received.
Endpt-Out-Pkts	The number of packets transmitted out of local endpoints.
Tnl-Out-Pkts	The number of packets transmitted out of LSP tunnels.

## Clearing VPLS traffic statistics

To clear the entries stored for all VPLS statistics, enter the following command.

```
Brocade# clear mpls statistics vpls
```

Syntax: clear mpls statistics vpls [*vpls-name* | *vpls-id*]

The *vpls-name* variable is the configured name for a VPLS instance.

The *vpls-id* variable is the ID of a VPLS instance.

The support enables simplified interactions between MPLS and VPLS with regard to VPLS peer FSM transitions. The LDP integration is supported on all platforms.

## VPLS LDP

### Displaying the VPLS peer FSM state with LDP support

The user can display the various VPLS peer FSM states with the LDP integration on the device using the show mpls vpls commands.

Table 80 provides a description of all the peer FSM states with the LDP support.

**TABLE 80** PEER FSM state description

Peer FSM state name	State description
Wait for functional local ports	No functional local endpoints.
Wait for LSP tunnel to Peer	No LSP tunnels available to reach the remote peer.
Wait for PW UP (Wait for LDP Session)	LDP session to remote peer is down.
Wait for PW UP (Wait for remote VC label)	PW is down (waiting for remote peer's VC label.)
Wait for PW UP (VC type Mismatched)	PW is down (VC type mismatched).
Wait for PW UP (MTU Mismatched)	PW is down (MTU mismatched).
Wait for PW UP (VC Bind In Progress)	PW is down (Local VC binding in progress).
Operational	PW is up and operational.
Wait Withdraw Done ...	Waiting for VC withdraw completion (internal intermediate states).
VC BIND Failure State	VC binding failed. User intervention required.
VC Withdraw Failure State	VC withdraw failed. User intervention required.

User intervention is required to recover from the VC Bind Failure state, and the VC Withdraw Failure state. To recover, the user must delete the failed peer and then add it back. These failure states may occur during extreme conditions when the system runs out of memory to issue ITC requests. When these failures are detected, VPLS generates the following syslog messages accordingly.

```
WARN: VPLS id X Peer IP Address: aa.bb.cc is placed in VC Bind Failure state due to low system memory.
WARN: VPLS id Y Peer IP Address: dd.ee.ff is placed in VC Withdraw Failure state due to low system memory.
```

### VC type mismatched

The following example shows the output for the LDP integration for a VC type mismatched case.

```
Brocade# show mpls vpls id 200
VPLS vc_mismatched, Id 200, Max mac entries: 8192
Total vlans: 1, Tagged ports: 1 (1 Up), Untagged ports 0 (0 Up)
  IFL-ID: 4098
  Vlan 200 inner-vlan 145
    Tagged: ethe 2/1
VC-Mode: Tagged
Total VPLS peers: 1 (0 Operational)
Peer address: 10.33.33.33, State: Wait for PW Up (VC type mismatched)
  Tnnl in use: tnl0(2)
  LDP session: Up, Local VC lbl: N/A, Remote VC lbl: N/A
  Local VC MTU: 1500, Remote VC MTU: N/A
  LOCAL VC-Type: Ethernet Tagged (0x04), Remote VC-Type: Ethernet (0x05)
CPU-Protection: OFF
Local Switching: Enabled
```

The local VC label and remote VC label display is performed only when the Peer is in Operational state. Else, it displays N/A for these fields.

The remote VC Type is the same as the local VC type when the peer state is Operational, else, it is shown as N/A.

## MTU mismatched

The following example shows the output for the LDP integration for a MTU mismatched case.

```
Brocade# show mpls vpls id 300
VPLS mtu_mismatched, Id 300, Max mac entries: 8192
Total vlans: 1, Tagged ports: 1 (1 Up), Untagged ports 0 (0 Up)
  IFL-ID: 4099
  Vlan 100 inner-vlan 145
    Tagged: ethe 1/1
VC-Mode: Tagged
Total VPLS peers: 1 (0 Operational)
Peer address: 10.44.44.44, State: Wait for PW Up (MTU mismatched)
  Tnnl in use: tnl3(3)
  LDP session: Up, Local VC lbl: N/A, Remote VC lbl: N/A
  Local VC MTU: 1500, Remote VC MTU: 2500,
  LOCAL VC-Type: Ethernet Tagged (0x04), Ethernet Tagged (0x04)
CPU-Protection: OFF
Local Switching: Enabled
```

## No remote VC label

The following example shows the output for the LDP integration for a no remote VC label case.



```
Brocade# show mpls vpls id 400
VPLS waiting_for_remote_label, Id 400, Max mac entries: 8192
Total vlans: 1, Tagged ports: 1 (1 Up), Untagged ports 0 (0 Up)
  IFL-ID: 4100
  Vlan 900 inner-vlan 245
    Tagged: ethe 7/1
  VC-Mode: Tagged
Total VPLS peers: 1 (0 Operational)
Peer address: 10.55.55.55, State: Wait for PW Up (Wait for remote VC label)
  Tnml in use: tn14(5)
  LDP session: Up, Local VC lbl: N/A, Remote VC lbl: N/A
  Local VC MTU: 1500, Remote VC MTU: 0,
  LOCAL VC-Type: Ethernet Tagged (0x04), Remote VC-Type: UNKNOWN
CPU-Protection: OFF
Local Switching: Enabled
```

## LDP session down

The following example shows the output for the LDP integration for an LDP session down case.

```
Brocade# show mpls vpls detail
VPLS NO_LDP, Id 500, Max mac entries: 8192
Total vlans: 1, Tagged ports: 1 (1 Up), Untagged ports 0 (0 Up)
  IFL-ID: 4101
  Vlan 880 inner-vlan 35
    Tagged: ethe 8/2
  VC-Mode: Tagged
Total VPLS peers: 1 (0 Operational)
Peer address: 10.66.66.66, State: Wait for PW Up (Wait for LDP session to
Peer)
  Tnml in use: tn15(6)
  LDP session: Down, Local VC lbl: N/A, Remote VC lbl: N/A
  Local VC MTU: 1500, Remote VC MTU: 0,
  LOCAL VC-Type: Ethernet Tagged (0x04), Remote VC-Type: UNKNOWN
CPU-Protection: OFF
Local Switching: Enabled
Extended Counter: ON
```

## No local label resource

The following example shows the output for the LDP integration for a no local label resource case.

### 3 MPLS LDP show commands

```
Brocade# show mpls vpls detail
VPLS waiting_for_remote_label, Id 400, Max mac entries: 8192
Total vlans: 1, Tagged ports: 1 (1 Up), Untagged ports 0 (0 Up)
  IFL-ID: 4100
  Vlan 900 inner-vlan 245
  Tagged: ethe 7/1
VC-Mode: Tagged
Total VPLS peers: 1 (0 Operational)
Peer address: 10.55.55.55, State: Wait for PW Up (No Label Resource)
  Tnnl in use: tnl4(5)
  LDP session: Up, Local VC lbl: N/A, Remote VC lbl: N/A
  Local VC MTU: 1500, Remote VC MTU: 0,
  LOCAL VC-Type: Ethernet Tagged (0x04), Remote VC-Type: UNKNOWN
CPU-Protection: OFF
Local Switching: Enabled
Extended Counter: ON
```

## MPLS LDP show commands

When there are issues with the peer VC labels (local or remote), MTU values, or VC type, other than using the vpls show command as documented in previous sections, the user can also use the mpls ldp show command to compare the PW VC information.

### Using the show mpls ldp vc x command

Here is an example of the show mpls ldp fec vc command where the remote peer is in the Operational state.

```
Brocade# show mpls ldp fec vc 1
FEC_CB: 0x34ff85a8, idx: 50, type: 128, pend_notif: None
State: current, Ingr: Yes, Egr: Yes, UM Dist. done: Yes
VC-Id: 1, vc-type: 4, grp-id: 0
Local-mtu: 2000, remote-mtu: 1500, MTU enforcement: disabled
Downstream mappings:
Local LDP ID      Peer LDP ID      Label      State      CB
10.21.21.21:0    10.11.11.11:0    983041     Installed  0x34eb2140(-1)
Upstream mappings:
Local LDP ID      Peer LDP ID      Label      CB
10.21.21.21:0    10.11.11.11:0    983040     0x34eb2510(-1)
```

## VPLS MAC age timer configuration overview

This documentation is to describe an enhancement to make the age timer configurable for both local and remote entries of VPLS MACs in the software cache. This change is added to the NetIron R05.5.00 software release for the NetIron product line.

There is an existing CLI to configure a global timer that controls MAC aging in the system (software cache). However, this configuration is not being applied to the age timers used for MAC entries associated with VPLS instances. Consequently, the age timer for VPLS MAC entries becomes hard-coded.

The VPLS application has separate age timers for different types of entries, local and remote. Prior to NetIron R05.5.00, the timer for the remote entries is calculated as two times the age timer of local entries, in which the remote age timer is coupled with the local one, which may be undesirable.

It is highly desirable to make age timers fully adjustable through CLI so that you can tune the system to function most effectively based on the deployment and specific configurations.

## Issues with timers

Prior to NetIron R05.5.00, there were the following issues with the timers:

- Software MAC age timers for VPLS are *NOT* adjustable  
In releases prior to NetIron R05.5.00, CLI *mac-age-time* that configures a global timer which controls MAC aging in the software cache for regular L2 is *not* being applied for MAC entries associated with VPLS instances. The age timers for VPLS MAC entries become hard-coded.
- The age timer for VPLS remote entries *is* coupled with the local entries' in values  
VPLS applications actually have separate age timers for different types of entries, local and remote. Prior to NetIron R05.5.00, the timer for the remote entries is calculated as *two x* the age timer of local entries, which may not be desirable.

## Solution

The benefit of configurable MAC age timers is that you can tune your systems to function most effectively based on the deployment and on a specific configuration.

With NetIron R05.5.00:

- The VPLS age timers are fully configurable for both local and remote entries.
- The formula "2 x" between the local timer and the remote timer is removed. Now, you have the flexibility to specify values for the age timers from 60 - 65535 seconds independently for the local and the remote entries.
- The values are bound by the same global system range shared with the regular MAC entries. The default values remains the same, which is 300 seconds for VPLS local entries and 600 seconds for the remote entries.
- Age time "0" disables the software aging. VPLS MAC follows the same format to be consistent. However, the value "0" is hidden as the valid range.
- `show mpls vpls summary` displays the age timers on MP.
- `show mpls vpls` displays the age timers on LP.
- `show running config` displays the age timers when their value becomes none, the default.
- `show mac vpls` displays value "0" for age field that is associated with a MAC entry when you disable the software aging prior to stop the traffic.
- When the software aging is disabled after the hardware aging is activated and the software aging has already started, the age field displays the time value that had been elapsed prior to the aging being disabled.

- When aging is re-enabled after software aging is disabled, the software aging resumes from the age value where it was stopped.

### The MAC age timer aging operation

- The aging process only applies to MAC entries that are learned dynamically.
- A SA lookup is always performed on incoming VPLS traffic, a miss on the lookup in hardware triggers SA learning.
- A SA entry is installed in both software and hardware on the LP where it is learned.
- The entry is only installed in software on other LPs.
- It is only programmed in hardware on other LPs when there is a miss on DA lookup for this entry.
- Aging is conducted on both SA and DA entries.
- The VPLS MAC aging is involved with two steps
  4. Hardware Aging (DA)– Fixed at 60 sec, carried out first. The hardware entry becomes invalid once aged out. It remains in software cache.
  5. Software Aging (SA)– Starts at 60 sec following the expiration of hardware age timer. The entry is removed from software cache when the configurable software timers expires.

---

#### NOTE

The configurable timers are only used for the software aging process.

---

- When an entry is aged out from the hardware, while before being aged out from software, the software age timer stops when the same entry is hit. This is true for both SA and DA.
- If it is a SA and not a station move, or is a DA, the entry is re-installed in the hardware from the local software cache and the hardware timer is re-started again as a newly learned entry.
- When it is a station move (SA), besides stopping the software timer, the MAC is sent to MP following the exact same process as learning a brand new MAC.
- A hit on a lookup in hardware refreshes the hardware timer for that MAC entry in hardware.

### Backward compatibility

This feature is an enhancement to the existing functionality and the default values of the aging timers for VPLS remain the same. It is backward compatible.

### Upgrade and downgrade considerations

When deploying this feature, follow the standard upgrade procedure for the XMR/MLX platform.

### Scaling support

There are no changes to scaling numbers.

## Commands

The following commands support the features describe in this chapter:

- `mac-age-time vpls`
- `show mpls vpls summary`

## mac-age-time vpls

The `mac-age-time vpls` command time value of zero can also be configured, which disables the software aging process. This is hidden. However, it provides the flexibility to you. The MAC age time sets the aging period for ports on the device, defining how many seconds a port address remains active in the address table.

Syntax	<code>mac-age-time vpls</code>
Parameters	<p><code>vpls</code></p> <p>Sets aging period for VPLS MAC entries.</p>
Usage Guidelines	<ul style="list-style-type: none"> <li>• The values are bound by the same global system range shared with the regular MAC entries.</li> <li>• The default values remain the same, which are 300 seconds for VPLS local entries and 600 seconds for the remote entries.</li> <li>• Age time “0” disables the software aging. VPLS MAC follows the same format to be consistent. However, the value “0” is hidden as the valid range.</li> <li>• When the software aging is disabled after the hardware aging is kicked in and the software aging has already started, the age field displays the time value that had been elapsed prior to the aging being disabled.</li> <li>• When the aging is re-enabled after a disabled, the software aging resumes from the age value where it was stopped.</li> <li>• Under the node <code>vpls</code>, you can specify a separate timer value for the local and the remote timers.</li> <li>• The VPLS age timers are fully configurable for both local and remote entries.</li> <li>• The formula ‘2 x’ between the local timer and the remote timer is removed. Now, you have the flexibility to specify values for the age timers independently for the local and the remote entries.</li> </ul>

**Example** A sample output of the running `mac-age-time vpls` configuration.

```

Brocade(config)# mac-age-time ?
  DECIMAL seconds to age software MAC table 60..65535
  vpls Set aging period for VPLS mac entries

Brocade(config)# mac-age-time vpls ?
  local MAC entries learnt from local end points
  remote MAC entries learnt from PW

Brocade(config)# mac-age-time vpls local ?
  DECIMAL seconds to age software MAC table 60..65535

Brocade(config)# mac-age-time vpls local 120

Brocade(config)# mac-age-time vpls ?
  local MAC entries learnt from local end points
  remote MAC entries learnt from PW

Brocade(config)# mac-age-time vpls ?
  remote MAC entries learnt from PW

Brocade(config)# mac-age-time vpls remote ?

```

DECIMAL seconds to age software MAC table 60..65535

```
Brocade(config)#mac-age-time vpls remote 240
```

#### History

Release	Command history
NetIron R05.5.00	This command was introduced.

#### Related commands

Relate command	Description
mac-age-time <i>DECIMAL</i>	Seconds to age software MAC table 60 - 65535 seconds.

### 3 show mpls vpls summary

## show mpls vpls summary

You can display a summary of VPLS information, including the number of VPLS instances, number of VPLS peers, maximum size of the VPLS MAC database, VPLS raw mode, and the values of the VPLS global MTU, the value of the remote VC MTU, the MAC-address withdrawal limit, MAC age for local, and MAC age for remote, with the show mpls vpls summary command.

Syntax	show mpls vpls summary
Parameters	None.
Modes	Global configuration mode.

#### Command output

This Field...	Displays...
Total VPLS configured	Shows the total number of VPLS configured
Total number of IFL-IDs allocated by VPLS	Shows the total number of IFL-IDs allocated by VPLS
Total VPLS peers configured	Shows the total VPLS peers configured
Maximum VPLS MAC entries allowed	Shows the maximum size of the VPLS MAC database
VPLS global raw mode VC-Type	Shows the global raw-mode VC-type
VPLS global MTU	Shows the maximum transmission unit at layer 2
MTU enforcement	Shows if the MTU enforcement is ON or OFF
Global CPU protection	Shows if the global CPU protection is ON or OFF
VPLS policy parameters	Shows VPLS policy parameters
MVIDs in use	Shows the total number of MVIDs in use
MAC-address withdrawal-limit	Shows the MAC-address withdrawal limit
MAC age time for local	Shows the local MAC age time
MAC age time for remote	Shows the remote MAC age time

A sample output of the show mpls vpls summary displays the following information and the new contents are in bold.

#### Show command on MP

```
Brocade(config)# show mpls vpls summary
Virtual Private LAN Service summary:
  Total VPLS configured: 3, maximum number of VPLS allowed: 512
  Total number of IFL-ID's allocated by VPLS: 0
  Total VPLS peers configured: 3, total peers operational: 3
  Maximum VPLS mac entries allowed: 130000, currently installed: 0
  VPLS global raw mode VC-Type is Ethernet (0x05)
  VPLS global MTU is 1500, MTU enforcement is OFF
  Global CPU protection: OFF
  VPLS policy parameters:
    vpls-pw-redundancy: 1
  MVIDs in use: 0 of 1 total allocated
mac-address withdrawal-limit: 500
```



```
MAC age time for local: 150
MAC age time for remote: 200
```

Show command on LP (MLX and XMR only)

```
Brocade(config)# show mpls vpls
```

**VPLS Summary**

=====

```
CPU Protection:          OFF
MAC age time for local:  150
MAC age time for remote: 200
```

History

Release

Command History

NetIron R05.5.00

New MAC age time for local and remote parameter added.

Related  
commands

None.

### 3 show mpls vpls summary

# Configuring MPLS Virtual Leased Line

## Overview

Table 81 displays the individual Brocade devices and the MPLS Virtual Leased Line (VLL) features they support.

**TABLE 81** Supported Brocade MPLS Virtual Leased Line (VLL) features

Features supported	Brocade Netron XMR Series	Brocade MLX Series	Brocade Netron CES 2000 Series BASE package	Brocade Netron CES 2000 Series ME_PREM package	Brocade Netron CES 2000 Series L3_PREM package	Brocade Netron CER 2000 Series Base package	Brocade Netron CER 2000 Series Advanced Services package
MPLS Virtual Leased Line (VLL)	Yes	Yes	No	Yes	No	No	Yes
MPLS VLL Packet Encoding	Yes	Yes	No	Yes	No	No	Yes
QoS for VLL Traffic	Yes	Yes	No	Yes	No	No	Yes
Tagged or Raw Mode for a VLL	Yes	Yes	No	Yes	No	No	Yes
Dual tag support for MPLS VLL	Yes	Yes	No	No	No	No	No
VLL MTU Enforcement	Yes	Yes	No	Yes	No	No	Yes
VLL MTU	Yes	Yes	No	Yes	No	No	Yes
Display changes to the show mpls vll detail command	Yes	Yes	No	Yes	Yes	No	Yes
Local VLL	Yes	Yes	No	Yes	No	No	Yes
VLAN Translation	Yes	Yes	No	Yes	Yes	No	Yes
VPLS and VLL support - Per VLL MTU	Yes	Yes	No	Yes	No	No	Yes
Dynamic LAG support for VLL endpoints	Yes	Yes	No	Yes	No	No	Yes

**TABLE 81** Supported Brocade MPLS Virtual Leased Line (VLL) features (Continued)

Features supported	Brocade NetIron XMR Series	Brocade MLX Series	Brocade NetIron CES 2000 Series BASE package	Brocade NetIron CES 2000 Series ME_PREM package	Brocade NetIron CES 2000 Series L3_PREM package	Brocade NetIron CER 2000 Series Base package	Brocade NetIron CER 2000 Series Advanced Services package
Dual-tags for VLL-local	Yes	Yes	No	No	No	No	No
MPLS Signalling: RSVP-TE support	Yes	Yes	No	Yes	No	No	Yes
Traps for VLLs	Yes	Yes	No	Yes	No	No	Yes
MPLS Local VLL Traps	Yes	Yes	No	Yes	No	No	Yes
Disabling Syslog Messages for MPLS VLL-Local and VLL	Yes	Yes	No	Yes	No	No	Yes
Extended Counters support for VLL and Local VLL	Yes	Yes	No	No	No	No	No
VLL Raw Pass Through	Yes	Yes	No	Yes	No	No	Yes

**NOTE**

MPLS cannot be configured on the system globally when a NI-MLX-10Gx8-D card is installed.

This chapter explains how to configure MPLS Virtual Leased Line (VLL) on a Brocade device. Virtual Leased Line is also known as Pseudo Wire Emulation as defined by the IETF PWE3 Working Group. MPLS VLL is a method for providing point-to-point Ethernet or VLAN connectivity over an MPLS domain. This functionality is outlined in the IETF documents “draft-ietf-pwe3-control-protocol-14.txt” and “draft-ietf-pwe3-ethernet-encap-08.txt”.

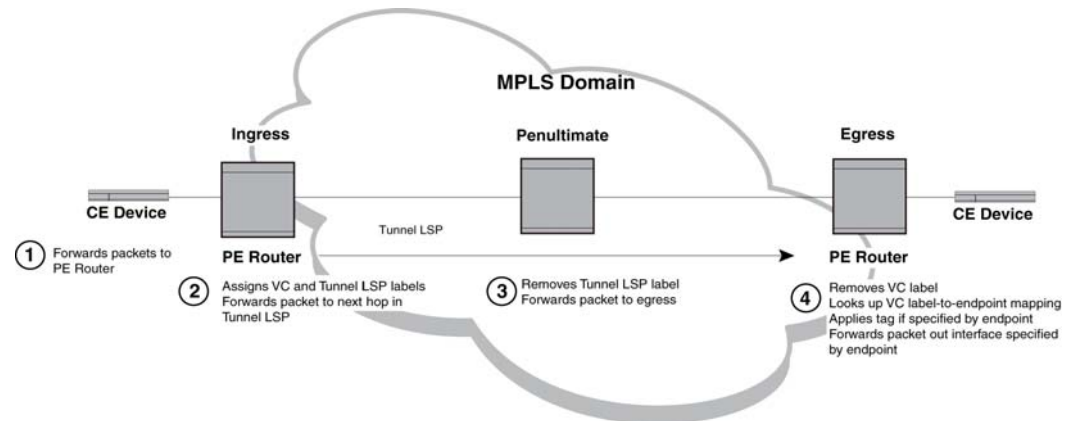
This chapter is divided into the following sections:

- “[How MPLS VLL works](#)” on page 525 describes how packets are encapsulated and forwarded over an MPLS VLL.
- “[Example 2: CoS behavior for dual-tagged to single-tagged VLL endpoints](#)” on page 532 describes how to set up MPLS VLLs on devices using the Command Line Interface (CLI).
- “[Displaying MPLS VLL information](#)” on page 547 describes the commands used to display information about an MPLS VLL configuration.
- “[Sample MPLS VLL configuration](#)” on page 555 illustrates a sample MPLS VLL configuration and lists the CLI commands used for implementing it.

## How MPLS VLL works

The following diagram illustrates how packets are forwarded over an MPLS VLL.

FIGURE 57 Forwarding packets over an MPLS VLL



Packets are forwarded over an MPLS VLL as described below.

1. A Customer Edge (CE) device forwards a packet to a Label Edge Router (LER) serving as a Provider Edge (PE) router at the edge of the MPLS domain.
2. The PE router assigns the packet to an RSVP-signalled LSP whose destination is an LER (also serving as a PE router) that is connected to a CE device at the far end of the MPLS domain. The PE router at the other end of the MPLS domain is known as this PE router's *VLL peer*. The RSVP-signaled LSP used to reach the VLL peer is known as the *tunnel LSP*. Alternatively, an LDP-signaled, tunneled LSP can be used.

When a Class of Service (COS) value is set for the VLL, the device selects a tunnel LSP that also has this COS value, when one is available. When no tunnel LSP with this COS value is available, the device selects a tunnel LSP with the highest configured COS value (although never higher than the COS setting for the VLL). Refer to “[QoS for VLL traffic](#)” on page 527 for more information.

When there are multiple tunnel LSPs that can be used to reach the VLL peer, the PE router selects one of the tunnel LSPs by using a round-robin method.

The PE router pushes two labels onto the packet:

- The inner *VC label* is used for determining what happens to the packet once it reaches the VLL peer. This label is significant only to the VLL peer
- The outer *tunnel label* is used for forwarding the packet through the MPLS domain. This label corresponds to an RSVP-signalled tunnel LSP

Refer to “[MPLS VLL packet encoding](#)” on page 526 for information on the structure of packets forwarded along an MPLS VLL. After applying the two labels to the packet, the PE router forwards it to the next LSR in the tunnel LSP.

3. The penultimate LSR in the tunnel LSP removes the tunnel label and forwards the packet (now with the VC label as the top label) to the PE router at the other edge of the MPLS domain.

4. The VLL peer at the egress of the tunnel LSP examines the VC label. This VC label is mapped to an *endpoint* for the VLL. The endpoint of a VLL specifies what happens to packets exiting the VLL.

The endpoint can specify an untagged, dual-tagged, or single-tagged port.

- For *untagged* ports, the endpoint consists of an interface
- For *single-tagged* ports, the endpoint consists of an interface and a VLAN ID.
- For *dual-tagged* ports, the endpoint consists of an interface and dual (outer and inner) VLAN IDs

The egress LER removes the VC label and forwards the packet out the interface specified as the endpoint. When the endpoint is a single-tagged or dual-tagged port, the device transmits the packet with the specified VLAN ID, or with the dual tags, forwarding it out the specified interface to the CE device.

The two VLL peers advertise VC labels to each other using the *Label Distribution Protocol (LDP)*. Each PE router attempts to initiate an LDP session with its VLL peer. After the LDP session is established, the locally assigned VC label, along with a VLL VC ID, is advertised to the VLL peer. In a similar way, the PE also learns the remotely assigned VC label from the VLL peer. Alternatively, the user can configure static local and remote VC labels manually on both VLL peers; in this case, LDP is not used.

MPLS VLLs are not involved with spanning tree operations.

---

**NOTE**

When MTUs are mismatched on both sides of a VLL session, the session does not come up.

---

## MPLS VLL packet encoding

When a packet is forwarded from the CE device, the PE router encapsulates it as an MPLS packet, applying two labels. The resulting MPLS packet has the following structure.

**FIGURE 58 Structure of a packet forwarded over an MPLS VLL**

MPLS Ethernet Header	Tunnel Label	VC Label	Payload Ethernet Header	Ethernet Payload
----------------------	--------------	----------	-------------------------	------------------

The S bit in the tunnel label is zero, indicating that it is not the bottom of the stack. The VC label is significant only to the PE router at the other end of the VLL.

The Payload Ethernet header may be single-tagged or untagged.

## Trunk load balancing of VLL traffic

Load balancing of VLL traffic across trunk ports behaves differently on Brocade NetIron XMR and Brocade MLX series devices compared to Brocade NetIron CES and Brocade NetIron CER devices. The following describes the difference:

- On Brocade NetIron XMR and Brocade MLX series devices, VLL traffic load balances across all trunk ports.

- On Brocade NetIron CES and Brocade NetIron CER devices, only one of the trunk ports is used for a given VLL instance, depending on the VC label used by the instance.

## QoS for VLL traffic

By default, packets travelling through an MPLS domain are treated equally from a QoS standpoint, in a best effort manner. However, when a Layer 2 packet has an internal priority in its 802.1q tag, or the LSP or VLL to which the packet is assigned has a configured Class of Service (COS) value, QoS can be applied to the packet in the MPLS domain. The internal priority or COS value is mapped to a value in the EXP field of the packet's MPLS header. The value in the EXP field is then mapped to an internal forwarding priority, and the packet is sent to the hardware forwarding queue that corresponds to the internal forwarding priority.

## QoS for VLL traffic at the ingress LER

The following methods can be used to provide QoS to packets entering a VLL:

- Use the COS value assigned to the tunnel LSP used to reach the VLL peer-  
When a tunnel LSP has a user-configured COS value, all packets in all VLLs travelling through the tunnel LSP receive the same QoS.
- Use the COS value assigned to the VLL-  
When a COS value is set for the VLL, the device selects a tunnel LSP that also has this COS value, when one is available. When no tunnel LSP with this COS value is available, the device selects a tunnel LSP with the highest configured COS value (although never higher than the COS setting for the VLL).  
When the selected tunnel LSP does not have a COS value, the VLL's configured COS value is used to provide QoS. The VLL's COS value is mapped to a value in the EXP field. This allows traffic multiple VLLs using a single tunnel LSP, traffic from each VLL can receive different QoS treatment.
- Use the priority in the packet's 802.1q tag-  
When neither the tunnel LSP nor the VLL has a configured COS value, the device examines the priority in the Layer 2 packet's 802.1q tag, when the packet has one. Consequently, Layer 2 packets with the same 802.1q priority receive the same QoS in the VLL.
- Use the configured priority of the port-  
When neither the tunnel LSP nor the VLL has a configured COS value, and the Layer 2 packet does not have an 802.1q priority, QoS can be provided based on the priority of the incoming port. A port can be assigned a priority from 0 (lowest priority) to 7 (highest priority). The default port priority is 0.

By assigning different priorities to the ports where customer edge (CE) devices are connected (that is, the VLL endpoints), the user can provide QoS to untagged Layer 2 traffic received from different customer locations.

When a packet enters a VLL, the PE router that serves as both the VLL endpoint and the ingress of a tunnel LSP pushes two labels onto the packet the inner VC label and the outer tunnel label. The packet's priority resides in the EXP field of the MPLS label header. The VC label and the tunnel label carry the same value in the EXP field.

The following table lists how a Layer 2 packet's priority is mapped to a value in the EXP field and how the EXP value is mapped to a priority queue.

Tunnel LSP configured COS or VLL configured COS or 802.1q priority or Configured port priority	Value placed in the tunnel and VC label EXP field	Priority queue
7	7	qosp7 (highest priority)
6	6	qosp6
5	5	qosp5
4	4	qosp4
3	3	qosp3
2	2	qosp2
1	1	qosp1
0	0	qosp0 (best effort)

### QoS for VLL traffic at transit LSRs

At each transit LSR, the device reads the value in the tunnel label's EXP field and places the incoming EXP value in the EXP field of the outbound packet. The outbound MPLS packet is assigned to one of the eight priority queues based on the value in the EXP field. The EXP bits in the MPLS header are used to assign the packet to a priority queue as follows:

EXP Bits in tunnel label	Priority queue
7	qosp7 (highest priority)
6	qosp6
5	qosp5
4	qosp4
3	qosp3
2	qosp2
1	qosp1
0	qosp0 (best effort)

### QoS for VLL traffic at the penultimate LSR

When the packet reaches the penultimate LSR in the LSP, its tunnel label is popped, leaving the VC label. The MPLS packet is placed in one of the priority queues using the value in the EXP field of the VC label. Since the VC label has the same EXP value as the tunnel label, the packet is placed in the same queue used for the tunnel LSP.

### QoS for VLL traffic at the egress LER

At the VLL endpoint, the VC label is popped and the packet is forwarded as a Layer 2 packet. The packet is placed in one of the priority queues based on the contents of the EXP field in the VC label, as follows:



EXP Bits in VC label	Priority queue
6, 7	qosp3 (highest priority)
4, 5	qosp2
2, 3	qosp1
0, 1	qosp0 (best effort)

## CoS behavior for VLL tagged mode and VLL raw mode

This section describes the difference in CoS behavior for VLL traffic when tagged mode or raw mode is in effect.

CoS behavior for VLL tagged mode

### NOTE

This section assumes that the user understands how QoS works.

### NOTE

On Brocade NetIron CES and Brocade NetIron CER devices, when VLL is configured in tagged mode, the priority present in inner VLAN tag is not copied to the VLAN being sent out over the endpoint.

Table 82 describes the expected Class of Service (CoS) behavior for VLL packets when VLL tagged mode is enabled.

**TABLE 82** Expected class of service behavior for VLL tagged mode

VLL endpoints	Incoming packet		MPLS cloud		Outgoing packet	
	Outer VLAN	Inner VLAN	Tunnel/VC label (Z)	Payload tag	Outer VLAN	Inner VLAN
Dual-tagged to dual-tagged	X	Y	V or internal priority	Y	W or Y	Y
Single-tagged to dual-tagged	X	N/A		X	W or X	X
Untagged to dual-tagged	N/A	N/A		0	W or 0	0
Dual-tagged to single-tagged	X	Y		Y	W or Y	N/A

### NOTE

For more specific examples of CoS behavior for tagged mode, see “[Example 1: CoS behavior for dual-tagged to dual-tagged VLL endpoints](#)” on page 531 and “[Example 2: CoS behavior for dual-tagged to single-tagged VLL endpoints](#)” on page 532.

Legend for [Table 82](#)

V = mapped EXP bits from internal priority (X contributes to internal priority) using the EXP encode table.

W = mapped COS from internal priority (Z contributes to internal priority) using the COS encode table

X = original outer VLAN COS

Y = original inner VLAN COS

Z = incoming EXP bits as described by Tunnel / VC label column = V or internal priority

or in the *Tunnel/VC label* column differentiates the behavior between when qos exp encode policy is ON (default) or OFF.

or in the *Outgoing packet Outer VLAN* column differentiates the behavior between when qos pcp encode policy is ON (default) or OFF.

CoS behavior for VLL raw mode

**NOTE**

This section assumes that the user understands how QoS works.

Table 83 describes the expected Class of Service (CoS) behavior for VLL packets when VLL raw mode is in effect.

**TABLE 83** Expected class of service behavior for VLL raw mode

VLL endpoints	Incoming packet		MPLS cloud		Outgoing packet	
	Outer VLAN	Inner VLAN	Tunnel/VC label (Z)	Payload tag	Outer VLAN	Inner VLAN
Dual-tagged to dual-tagged	X	Y	V or internal priority	N/A	W or Z	Z
Single-tagged to dual-tagged	X	N/A				Z
Untagged to dual-tagged	N/A	N/A				Z
Dual-tagged to single-tagged	X	Y				N/A

**NOTE**

For more specific examples of CoS behavior for raw mode, see “[Example 1: CoS behavior for dual-tagged to dual-tagged VLL endpoints](#)” on page 531 and “[Example 2: CoS behavior for dual-tagged to single-tagged VLL endpoints](#)” on page 532.

Legend for Table 83

V = mapped EXP bits from internal priority (X contributes to internal priority) using the EXP encode table.

W = mapped COS from internal priority (Z contributes to internal priority) using the COS encode table.

X = original outer VLAN COS

Y = original inner VLAN COS

Z = incoming EXP bits as described by Tunnel / VC label column = V or internal priority

or in the *Tunnel/VC label* column differentiates the behavior when qos exp encode policy is ON (default) or OFF.

or in the *Outgoing packet Outer VLAN* column differentiates the behavior when qos pcp encode policy is ON (default) or OFF.

**Example 1: CoS behavior for dual-tagged to dual-tagged VLL endpoints**

[Table 84](#) shows a detailed example of the CoS behavior in a dual-tagged to dual-tagged VLL endpoint configuration. The table shows the difference in behavior for VLL tagged mode (described in [Table 82](#)) versus VLL raw mode (described in [Table 83](#)).

**TABLE 84** Example CoS behavior in a dual-tagged to dual-tagged VLL endpoint configuration

Priority	Incoming Packet		Outgoing Packet Tag Mode		Outgoing Packet Raw Mode	
	Outer VLAN	Inner VLAN	Outer VLAN	Inner VLAN	Outer VLAN	Inner VLAN
LSP CoS 4	VLAN 100, CoS 0	VLAN 200, CoS 0	VLAN 300, CoS 4	VLAN 400, CoS 0	VLAN 300 CoS 4	VLAN 400 CoS 4
VLL CoS 2	VLAN 100, CoS 0	VLAN 200, CoS 0	VLAN 300, CoS 2	VLAN 400, CoS 0	VLAN 300 CoS 2	VLAN 400 CoS 2
Port priority 6 (with priority force)	VLAN 100, CoS 0	VLAN 200, CoS 0	VLAN 300, CoS 6	VLAN 400, CoS 0	VLAN 300 CoS 6	VLAN 400 CoS 6
802.1p CoS 6 (outer VLAN) CoS 4 (inner VLAN)	VLAN 100, CoS 6	VLAN 200, CoS 4	VLAN 300, CoS 6	VLAN 400, CoS 4	VLAN 300 CoS 6	VLAN 400 CoS 6
Port priority 6 and VLL CoS 2	VLAN 100, CoS 0	VLAN 200, CoS 0	VLAN 300, CoS 2	VLAN 400, CoS 0	VLAN 300 CoS 2	VLAN 400 CoS 2
Port priority 5 (with priority force)	VLAN 100, CoS 7	VLAN 200, CoS 7	VLAN 300, CoS 5	VLAN 400, CoS 7	VLAN 300 CoS 5	VLAN 400 CoS 5
Port priority 5 (with priority force), LSP CoS 3	VLAN 100, CoS 7	VLAN 200, CoS 7	VLAN 300, CoS 3	VLAN 400, CoS 7	VLAN 300 CoS 3	VLAN 400 CoS 3
Port priority 5 (with priority force), LSP CoS 2. VLL CoS 4	VLAN 100, CoS 7	VLAN 200, CoS 7	VLAN 300, CoS 2	VLAN 400, CoS 7	VLAN 300 CoS 2	VLAN 400 CoS 2
Port priority 5 (with priority force), LSP CoS 0. VLL CoS 4	VLAN 100, CoS 7	VLAN 200, CoS 7	VLAN 300, CoS 0	VLAN 400, CoS 7	VLAN 300 CoS 0	VLAN 400 CoS 0
Port priority 5 (with priority force), LSP no value. VLL CoS 4	VLAN 100, CoS 7	VLAN 200, CoS 7	VLAN 300, CoS 4	VLAN 400, CoS 7	VLAN 300 CoS 4	VLAN 400 CoS 4
Port priority 5 (with priority force), LSP CoS 0. VLL CoS 4 QoS exp encode policy all-zero (ingress router)	VLAN 100, CoS 7	VLAN 200, CoS 7	VLAN 300, CoS 0	VLAN 400, CoS 7	VLAN 300 CoS 0	VLAN 400 CoS 0

**TABLE 84** Example CoS behavior in a dual-tagged to dual-tagged VLL endpoint configuration

Port priority 5 (with priority force), LSP CoS 3. VLL CoS 4 QoS exp encode policy all-zero (ingress router)	VLAN 100, CoS 7	VLAN 200, CoS 7	VLAN 300, CoS 0	VLAN 400, CoS 7	VLAN 300 CoS 0	VLAN 400 CoS 0
Port priority 5 (with priority force), LSP CoS 3. VLL CoS 4 QoS PCP encode policy all-zero (egress router)	VLAN 100, CoS 7	VLAN 200, CoS 7	VLAN 300, CoS 0	VLAN 400, CoS 7	VLAN 300, CoS 0	VLAN 400, CoS 3
Port priority 5 (with priority force), LSP CoS 3. VLL CoS 4 QoS PCP decode policy string (ingress router) (mapping of 7 to 1)	VLAN 100, CoS 7	VLAN 200, CoS 6	VLAN 300, CoS 3	VLAN 400, CoS 6	VLAN 300, CoS 3	VLAN 400, CoS 3
QoS PCP decode policy string (ingress router) (mapping of 7 to 1)	VLAN 100, CoS 7	VLAN 200, CoS 6	VLAN 300, CoS 1	VLAN 400, CoS 6	VLAN 300, CoS 1	VLAN 400, CoS 1

Example 2: CoS behavior for dual-tagged to single-tagged VLL endpoints

Table 85 shows a detailed example of the CoS behavior in a dual-tagged to single-tagged VLL endpoint configuration. The table shows the difference in behavior for VLL tagged mode (described in Table 82) versus VLL raw mode (described in Table 83).

**TABLE 85** Example CoS behavior in a dual-tagged to single-tagged VLL endpoint configuration

Priority	Incoming Packet		Outgoing Packet Tag Mode		Outgoing Packet Raw Mode	
	Outer VLAN	Outer VLAN	Inner VLAN	Outer VLAN	Inner VLAN	Outer VLAN
LSP CoS 4,	VLAN 100, CoS 6	VLAN 200 CoS 5	VLAN 300, CoS 4	NA	VLAN 300 CoS 4	NA
VLL CoS 2	VLAN 100, CoS 6	VLAN 200 CoS 5	VLAN 300, CoS 2	NA	VLAN 300 CoS 2	NA
Port priority 7 (with priority force)	VLAN 100, CoS 6	VLAN 200 CoS 5	VLAN 300, CoS 7	NA	VLAN 300 CoS 7	NA
802.1p CoS 6 (outer VLAN)	VLAN 100, CoS 6	VLAN 200 CoS 5	VLAN 300, CoS 6	NA	VLAN 300 CoS 6	NA
Port priority 7 and VLL CoS 2	VLAN 100, CoS 6	VLAN 200 CoS 5	VLAN 300, CoS 2	NA	VLAN 300 CoS 2	NA
Port priority 7 (with priority force), LSP CoS 3	VLAN 100, CoS 6	VLAN 200 CoS 5	VLAN 300, CoS 3	NA	VLAN 300 CoS 3	NA
Port priority 7 (with priority force), LSP CoS 3. VLL CoS 4	VLAN 100, CoS 6	VLAN 200 CoS 5	VLAN 300, CoS 3	NA	VLAN 300 CoS 3	NA

**TABLE 85** Example CoS behavior in a dual-tagged to single-tagged VLL endpoint configuration

Port priority 7 (with priority force), LSP CoS 0. VLL CoS 4	VLAN 100, CoS 6	VLAN 200 CoS 5	VLAN 300, CoS 0	NA	VLAN 300 CoS 0	NA
.1p is 6 for outer VLAN, 5 for inner VLAN Port 3 No LSP CoS VLL CoS 4 (ingress above) Egress below Port is 7 VLL CoS 2	VLAN 100 CoS 6	VLAN 200 CoS 5	VLAN 300 CoS 7	NA	VLAN 300 CoS 7	NA
Port priority 7 (with priority force), LSP no value. VLL CoS 4	VLAN 100, CoS 6	VLAN 200 CoS 5	VLAN 300, CoS 4	NA	VLAN 300 CoS 4	NA
Port priority 7 (with priority force), LSP CoS 3. VLL CoS 4	VLAN 100, CoS 6	VLAN 200 CoS 5	VLAN 300, CoS 3	NA	VLAN 300 CoS 3	NA
Port priority 7 (with priority force), LSP CoS 3. VLL CoS 4 QoS exp encode policy all-zero (ingress router)	VLAN 100, CoS 6	VLAN 200 CoS 5	VLAN 300, CoS 0	NA	VLAN 300 CoS 0	NA
Port priority 7 (with priority force), LSP CoS 3. VLL CoS 4 QoS PCP encode policy all-zero (egress router)	VLAN 100, CoS 6	VLAN 200 CoS 5	VLAN 300, CoS 0	NA	VLAN 300, CoS 0	NA
Port priority 6 (with priority force), LSP CoS 3. VLL CoS 4 QoS PCP decode policy string (ingress router) (mapping of 7 to 1)	VLAN 100, CoS 7	VLAN 200 CoS 5	VLAN 300, CoS 3	NA	VLAN 300, CoS 3	NA
QoS PCP decode policy string (ingress router) (mapping of 7 to 1)	VLAN 100, CoS 7	VLAN 200 CoS 5	VLAN 300, CoS 1	NA	VLAN 300, CoS 1	NA

## Configuring MPLS VLLs

This section explains how to set up MPLS VLLs.

### Creating a VLL

The user creates a VLL by entering VLL configuration statements on two PE routers. The two endpoints of a VLL are associated by having the same VLL VC ID on each PE router.

To create an MPLS VLL, enter commands such as the following.

## 4 Configuring MPLS VLLs

```
Brocade(config-mpls)# vll foundry-sj-to-sf 40000
Brocade(config-mpls-vll)#
```

On the VLL peer (when it is a device), the user would enter commands such as the following.

```
Brocade(config-mpls)# vll foundry-sf-to-sj 40000
Brocade(config-mpls-vll)#
```

Syntax: `vll vll-name | vll-vc-id [cos cos value] [raw-mode]`

The *vll-vc-id* corresponds to the user-configurable ID defined in `draft-ietf-pwe3-control-protocol-14.txt`.

The user can optionally specify a Class of Service (COS) setting for the VLL. When a COS value is set, the device selects a tunnel LSP that also has this COS value, when one is available. When no tunnel LSP with this COS value is available, the device selects a tunnel LSP with the highest configured COS value (although never higher than the COS setting for the VLL). The COS value can be between 0 – 7.

---

### NOTE

On Brocade NetIron CES and Brocade NetIron CER devices, the route-only command must not be configured on untagged MPLS uplinks when using it for VLL. Otherwise, incoming VLL traffic is dropped.

---

## Specifying tagged or raw mode for a VLL

The default treatment for packets that are sent through a VLL is for the ingress router to add a VLAN ID tag to the payload Ethernet header. When the packet arrives at the egress router, the tag is stripped off and the packet is forwarded.

The user can configure a VLL to send all packets in “raw” mode. This means that the ingress router of the VLL does not add a VLAN ID tag to the payload Ethernet header and consequently the egress router does not have to strip it off. Both the ingress and egress routers must be configured in either default (tagged mode) or raw mode. To configure a router to send or receive packets for a VLL in raw mode, enter the following command.

```
Brocade(config-mpls)# vll <vll-name> <vll-vc-id> raw-mode
```

Syntax: `vll vll-name | vll-vc-id [raw-mode]`

The *vll-name* is the name of the VLL the user wants to configure raw mode for.

The *vll-vc-id* corresponds to the user-configurable ID defined in `draft-ietf-pwe3-control-protocol-14.txt`.

When raw-mode is specified, the VC type for signaling is 5, otherwise it is 4 (for tagged mode).

When raw-mode is not specified, the default configuration is for the ingress router to send packets with a tag, and for the egress router to strip it off before forwarding the packets.

---

### NOTE

when there is a VC type mismatch between VLL peers, a session is not brought up between them.

---

## Specifying a VLL peer

The VLL peer is the PE router at the other end of the VLL. As part of VLL configuration, the user specifies the IP address of the VLL peer.

Each PE router must have tunnel LSP reachability to its VLL peer. Tunnel LSP reachability is defined as having at least one operational LSP tunnel with the destination (the LSPs "to" address) matching the VLL peer's IP address. An LSP terminating on the VLL peer but configured with a different destination address would not be considered a match.

When a PE router does not have tunnel LSP reachability to its VLL peer, or when the remote VC label is not yet available, packets from the local interface are discarded at the ingress PE router. When the local interface is administratively disabled or goes down, a VC label withdraw message is sent to the VLL peer.

By default, each PE router attempts to initiate an LDP session through extended discovery with its VLL peer, when a session is not already established. The PE router also allocates a VC label from a per-platform label range that is mapped to the local endpoint. Once the LDP session is established, the locally assigned VC label, along with the VLL VC ID is advertised to the VLL peer in a downstream-unsolicited manner. In a similar way, the PE also learns the remotely assigned VC label from the VLL peer.

Alternatively, the user can configure static local and remote VC labels. In this case, no LDP session is established between the VLL peers. Note that when the user makes use of static VC labels, the user must configure them on both VLL peers manually.

The user specify the peer at the other end of the VLL by entering a command such as the following.

```
Brocade(config-mpls-vll)# vll-peer 192.168.2.100
```

Syntax: `vll-peer ip-addr`

The IP address of the peer must match that of a destination for a tunnel LSP configured on the device.

## Specifying a VLL endpoint

The endpoint of a VLL specifies what happens to packets exiting the VLL. The user set the endpoint on the local PE router and this endpoint is mapped to a VC label. The VC label is advertised to the remote PE router at the other end of the VLL through LDP. The remote PE router applies this label to packets entering the VLL. When the packet reaches the end of the VLL through the MPLS uplink, the local PE router checks the mapping between the VC label and the endpoint, removes the VC label from the packet, and forwards the packet out the port specified as the endpoint.

All VLL endpoints can be dual-mode ports (tagged-untagged). An untagged endpoint port is removed from the default VLAN and cannot be added back to the default VLAN. A VLL endpoint can be tagged in multiple VLL and L2 VLANs and untagged in one other VLAN.

The Customer Edge (CE) device is connected to the PE router over an untagged, dual-tagged, or single-tagged port.

- With a *single-tagged* port, each pair (port, VLAN ID) is identified as a unique endpoint, and the packets are sent in tagged Ethernet format.

- In the case of an *untagged* port, an endpoint is identified by the physical port alone, and the packets are sent in untagged Ethernet format.
- In the case of a *dual-tagged* port, the packets contain both an outer VLAN tag and an inner VLAN tag.

### Configuring VLL endpoint over FDP/CDP enabled interface

Configuring VLL endpoint over an FDP/CDP enabled interface will implicitly disable FDP/CDP configuration and also will be enable back implicitly when the VLL endpoint is deleted on that specific interface, considering FDP/CDP is enabled globally.

Info messages will be displayed to notify the user as below for these cases:

For example, when VLL endpoint is created the info messages displayed are as below.

- 1 When only FDP is enabled globally.  
Brocade(config-mpls-vll-vll11-vlan-100)#tag eth 4/3 eth 4/5 eth 4/7  
info- FDP is disabled on port 4/3  
info- FDP is disabled on port 4/5  
info- FDP is disabled on port 4/7
- 2 When only CDP is enabled globally.  
Brocade(config-mpls-vll-vll11-vlan-100)#tag eth 4/3 eth 4/5 eth 4/7  
info- CDP is disabled on port 4/3  
info- CDP is disabled on port 4/5  
info- CDP is disabled on port 4/7
- 3 When both FDP/CDP is enabled globally.  
Brocade(config-mpls-vll-vll11-vlan-100)#tag eth 4/3 eth 4/5 eth 4/7  
info- FDP/CDP is disabled on port 4/3  
info- FDP/CDP is disabled on port 4/5  
info- FDP/CDP is disabled on port 4/7

For example, when VLL endpoint is deleted the info messages are displayed as below.

- 1 When only FDP is enabled globally.  
Brocade(config-mpls-vll-vll11-vlan-100)#no tag eth 4/3 eth 4/5 eth 4/7  
info- FDP is enabled on port 4/3  
info- FDP is enabled on port 4/5  
info- FDP is enabled on port 4/7
- 2 When only CDP is enabled globally.  
Brocade(config-mpls-vll-vll11-vlan-100)#no tag eth 4/3 eth 4/5 eth 4/7  
info- CDP is enabled on port 4/3  
info- CDP is enabled on port 4/5  
info- CDP is enabled on port 4/7
- 3 When both FDP/CDP is enabled globally.  
Brocade(config-mpls-vll-vll11-vlan-100)#no tag eth 4/3 eth 4/5 eth 4/7  
info- FDP/CDP is enabled on port 4/3  
info- FDP/CDP is enabled on port 4/5  
info- FDP/CDP is enabled on port 4/7

---

#### NOTE

If the VLL endpoint is configured over a globally enabled FDP/CDP interface, the show run command does not display FDP/CDP information for that specific interface.

---



**NOTE**

By removing FDP from the configuration, no fdp enable stays in the configuration of the VLPS endpoints, which cannot be removed.

## Special considerations for VLL dual-tagged endpoints

Before configuring a dual-tagged endpoint, consider the following:

- An Internal Forwarding Lookup Identifier (IFL-ID) is allocated to each MPLS VLL instance that has a dual-tagged endpoint. The ID is displayed in the show mpls vll detail command output. For instances that do not have dual-tagged endpoints, the IFL-ID is displayed as '-'.
- The tag protocol identifier (TPID) of the inner VLAN tag must be 0x8100 in order to be classified as dual-tagged and recognized by dual-tagged endpoints. When the TPID is not 0x8100, the packet is classified as a single-tagged packet.
- The same port, outer VLAN, and inner VLAN combination cannot be specified across MPLS VLL instances. For example, when a dual-tagged endpoint with vlan 100 and inner-vlan 200 is configured on port e 2/1 in MPLS VLL instance 'test', the same endpoint cannot be configured as part of another MPLS VLL instance, say 'test1'. This is also true across applications. That is, when a port, outer VLAN, and inner VLAN combination belongs to a MPLS VLL instance, it cannot simultaneously belong to a Layer 2 VLAN, Local VLL or VPLS.
- To change an existing single-tagged VLL endpoint to a dual-tagged endpoint, first delete the VLAN configuration, then configure the endpoint as dual-tagged.
- A dual-tagged VLL endpoint neither recognizes nor forwards packets that have a single tag. However, a single-tagged endpoint can recognize and forward dual-tagged packets because the endpoint treats the second tag as data.
- The port, outer VLAN, and inner VLAN combination in an incoming dual-tagged packet on a given port is used to do an IFL CAM lookup. This lookup yields an IFL-ID which is used to do a MPLS-VLL CAM lookup. So for dual-tagged endpoints, the regular (port, vlan) lookup is replaced with the (port, IFL-ID) lookup.
- When only the outer VLAN is specified for a given endpoint, it is called a *less-specific* VLAN. When both the outer and inner VLAN are specified, it is called a *more-specific* VLAN (in relation to the outer VLAN).
- When a less-specific VLAN is already configured on a given port, then a more-specific VLAN with the same outer VLAN tag can also be configured on that port. Likewise, when a more-specific VLAN is already configured on a given port, then a less-specific VLAN with the same outer VLAN tag can also be configured on the port.

In the following example, a less-specific tagged endpoint has been configured with vlan 100 on port e 2/1, and a more-specific VLAN with an outer VLAN tag of 100 and an inner vlan tag of 200 has also been configured on port e 2/1.

```
Brocade(config-mpls)# vll test1 1000
Brocade(config-mpls-vll-test1)# vlan 100
Brocade(config-mpls-vll-test1-vlan)# tag e 2/1
Brocade(config-mpls-vll-test1-if-e-2/1)# vll test2 2000
Brocade(config-mpls-vll-test2)# vlan 100 inner-vlan 200
Brocade(config-mpls-vll-test2-vlan)# tag e 2/1
```

This applies even when the less/more-specific VLAN is configured as part of a L2 VLAN, Local VLL or VPLS.

### Specifying an untagged endpoint

Untagged ports are not associated with any VLAN. A port must be a member of the default VLAN before it can be used in a VLL configuration as an untagged port. Upon configuration as the endpoint of a VLL, the port is taken out of the default VLAN. This means no local broadcast traffic includes this port. A VLL untagged port does not belong to any VLAN. When the port is currently a member of a regular VLAN or another VLL, the configuration attempt must be rejected.

---

**NOTE**

When a port is added as an untagged port into a VLL, a VLAN must not be defined under the VLL. When a VLAN is configured under the VLL, the configuration to add an untagged port is rejected.

---

To specify an untagged endpoint for a VLL.

```
Brocade(config-mpls-vll)# untagged e 2/1
```

Syntax: untagged [ethernet] *portnum*

---

**NOTE**

Foundry Discovery Protocol (FDP) must not be enabled on an untagged VPLS or VLL endpoint.

---

### Specifying a single-tagged endpoint

Tagged ports are configured under a VLAN ID. This VLAN ID is only meaningful for this tagged port. Another tagged port may use the same VLAN ID but the two ports are not under the same VLAN.

For tagged ports, a *vlan-id*, *port* pair constitutes a VLL endpoint. One VLL may configure a VLAN ID on one port and another VLL may reuse the same VLAN ID on another port. This capability is known as VLAN ID reuse.

As with regular VLANs, when a port is currently a member of a non-default VLAN as an untagged port, it must be returned to the default VLAN before it can be assigned to a VLL as a tagged port.

To specify a tagged endpoint for a VLL.

```
Brocade(config-mpls-vll)# vlan 200
Brocade(config-mpls-vll-vlan)# tagged e 3/11
```

Syntax: vlan *num*

Syntax: tagged [ethernet] *slot/port*

---

**NOTE**

A tagged port can be a part of one or more VLLs, and at the same time be part of one or more regular VLANs and one or more VPLSs as a tagged member.

---

## Specifying a dual-tagged endpoint

Dual-tagged packets contain both an outer VLAN tag and an inner VLAN tag. Dual-tagged VLL endpoints enable MPLS VLL to recognize packets with two tags and make forwarding decisions based on them. A dual-tagged endpoint can receive packets with two tags and forward them to the other endpoint either untagged, single-tagged, or dual-tagged.

---

### NOTE

Before configuring a dual-tagged endpoint, see [“By removing FDP from the configuration, no fdp enable stays in the configuration of the VLPS endpoints, which cannot be removed.”](#) on page 537.

---

To specify a dual-tagged endpoint for a VLL instance, enter commands such as the following:

```
Brocade(config-mpls)# vll test 100
Brocade(config-mpls-vll-test)# vlan 200 inner-vlan 300
Brocade(config-mpls-vll-test-vlan)# tagged e 3/11
```

Syntax: [no] vlan *vlan-id* inner-vlan *vlan-id*

Syntax: [no] tagged ethernet *slot/port*

The vlan *vlan-id*, which is the outer VLAN ID, can be in the range from 1 to 4094 and excludes the default VLAN.

The inner-vlan *vlan-id* can be in the range from 1 to 4095 and includes the default VLAN.

Use the [no] form of the command to remove the dual-tagged VLL VLAN configuration and its associated endpoints. For example, the command no vlan 200 inner-vlan 300 removes the dual-tagged VLAN and associated endpoints. The single-tagged VLAN, vlan 200, is not deleted. Similarly, the command no vlan 200 removes the single-tagged VLAN, vlan 200, and associated endpoints. The dual-tagged VLAN, vlan 200 inner-vlan 300, is not deleted.

---

### NOTE

A tagged port can be a part of one or more VLLs, and at the same time be part of one or more regular VLANs and one or more VPLSs as a tagged member.

---

Viewing the VLL dual-tagged configuration

Use the show running config and show mpls vll commands to view the VLL dual-tagged configuration. The following shows an example show running config output. For examples and details of the show mpls vll commands, see [“Displaying information about MPLS VLLs”](#) on page 547.

```
Brocade# show run
....
router mpls

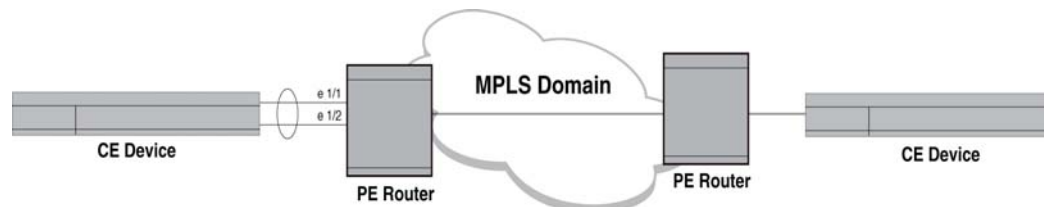
vll test 100
  vlan 100 inner-vlan 45
  tag e2
```

## Specifying a LAG group as the endpoint of a VLL

The endpoint of a VLL can be a LAG group. When the endpoint of a VLL is a LAG group, the VLL traffic load is distributed to the customer edge (CE) device across all of the LAG group's ports, using a hashing mechanism.

Figure 59 illustrates a sample configuration where a LAG group of two ports serves as the endpoint of a VLL.

FIGURE 59 Specifying a LAG group as the endpoint of a VLL



To configure a LAG group like the one in Figure 59, enter commands such as the following.

```
Brocade(config)# lag red dynamic
Brocade(config-lag-red)# ports ethernet 1/1 to 1/2
Brocade(config-lag-red)# primary port 1/1
Brocade(config-lag-red)# ports ethernet 1/2
Brocade(config-lag-red)# deploy
```

To configure a VLL like the one in Figure 59, enter commands such as the following.

```
Brocade(config)# router mpls
Brocade(config-mpls)# vll test2 40000
Brocade(config-mpls-vll)# vll-peer 10.10.10.10
Brocade(config-mpls-vll)# untagged e 1/1
```

**NOTES:** When the user first creates a LAG and then configure a VLL instance, the port the user specifies as the VLL endpoint must also be the port the user specified as the primary port of the LAG group:

- When the user later deletes the LAG from the configuration, only the primary port is still a port of the VLL and all secondary ports become normal ports.
- When the user specified a tagged endpoint for the VLL instance, all of the ports in the LAG must be tagged.
- Traffic received from any port in the LAG is forwarded to the VLL instance. All traffic is matched to its VLAN.
- Both static and dynamic LAGs are supported.

## Enabling VLL MTU enforcement (optional)

The user can selectively enable local and remote VLL MTU mismatch checking using the following command.

```
Brocade(config)# router mpls
Brocade(config-mpls)# vll-mtu-enforcement
```

Syntax: [no] vll-mtu-enforcement

By default, MTU checking is off. The user can use the [no] form of the command to disable VLL MTU checking when it is on.

---

**NOTE**

The user must save the configuration and reload the software for this command to take effect.

---

## Specifying a VLL MTU

Previously, every VLL configured on a Brocade device used the system default max-frame-size as the VLL MTU while establishing the LDP session with its peer. When this value is changed, the configuration needs to be saved and the router rebooted for the new value to take effect. The change in this value affects all VLLs configured on the router. This parameter is used as the max-frame-size expected on each port of the router and consequently the data plane does not accept or transmit packets larger than this size.

The user can now use the vll-mtu command that allows the user to specify an MTU value per-VLL. When an MTU value is not specified for a VLL, the router continues to use the default max-frame-size for establishing the LDP session with the peer. The MTU value configured per-VLL can be changed dynamically and takes effect immediately. Consequently, the label (when already advertised) is withdrawn from the peer and re-advertised using the new MTU. This occurs irrespective of the state of the VLL. When MTU enforcement checks are enabled and when the MTUs don't match, the VLL stays down with the reason code "MTU mismatch".

---

**NOTE**

This parameter is not enforced on the data plane. Consequently, the user can still send and receive packets larger than the configured MTU.

---

To configure a new MTU value for a VLL, use the vll-mtu command as shown in the following.

```
Brocade(config-mpls)# vll foundry 40000
Brocade(config-mpls-vll-foundry)# vll-mtu 1000
```

Syntax: [no] vll-mtu *mtu-value*

The *mtu-value* variable can be set to any value between 64 - 9190.

## Generating traps for VLLs

The user can enable and disable SNMP traps for VLLs. VLL traps are enabled by default.

To enable VLL traps after they have been disabled, enter the following command.

```
Brocade(config)# snmp-server enable traps mpls vll
```

Syntax: [no] snmp-server enable traps mpls vll

Use the [no] form of the command to disable VLL traps.

## Transparent forwarding of L2 and L3 protocols on a VLL for CES and CER

Use the forward-all-control command to add per port Layer 2 and Layer 3 (L2/L3) protocols ACL filters for the VLL end-point port. The command no forward-all-control removes the L2/L3 protocols ACL filters for the VLL end point port.

---

### NOTE

The forward-all-control command is only applicable to the Brocade NetIron CER and Brocade NetIron CES.

---

To implement per port Layer 2 and Layer 3 (L2/L3) protocols ACL filters, enter the following command.

```
Brocade(config)# int eth 1/1
Brocade (config-if-e1000-1/1)# forward-all-control
```

Syntax: [no] forward-all-control

The command no forward-all-control deletes VLL end point port L2/L3 protocols ACL filters. For LAG, only the primary port needs to be configured.

---

### NOTE

The forward-all-control command lets L2/L3 protocols on the port go with hardware forwarding without going to the CPU. If the no forward-all-control command is executed, the L2/L3 functions may be impacted.

---

The show interfaces ethernet *slot/port* command displays the configuration status of the forward-all-control command.

The following output example shows the show interfaces ethernet *slot/port* command with the forward-all-control command disabled.

```
Brocade# show interfaces ethernet 1/1
GigabitEthernet1/1 is up, line protocol is up
  STP Root Guard is disabled, STP BPDU Guard is disabled
  Hardware is GigabitEthernet, address is 001b.eda3.f841 (bia 001b.eda3.f841)
  Configured speed auto, actual 1Gbit, configured duplex fdx, actual fdx
  Member of 1 L2 VLAN(S) (tagged), port is in tagged mode, port state is
Forwarding
  STP configured to ON, Priority is level0, flow control enabled
  Priority force disabled, Drop precedence level 0, Drop precedence force disabled
  dhcp-snooping-trust configured to OFF
  mirror disabled, monitor disabled
  LACP BPDU Forwarding:Disabled
  LLDP BPDU Forwarding:Disabled
  L2L3 protocols Forwarding:Disabled
  Not member of any active trunks
...
```

The following output example shows the show interfaces ethernet *slot/port* command with the forward-all-control command enabled.

```
Brocade(config-if-e1000-1/1)# forward-all-protocol
Brocade(config-if-e1000-1/1)# show interfaces ethernet 1/1
GigabitEthernet1/1 is up, line protocol is up
  STP Root Guard is disabled, STP BPDU Guard is disabled
  Hardware is GigabitEthernet, address is 001b.eda3.f841 (bia 001b.eda3.f841)
  Configured speed auto, actual 1Gbit, configured duplex fdx, actual fdx
  Member of 1 L2 VLAN(S) (tagged), port is in tagged mode, port state is
Forwarding
  STP configured to ON, Priority is level0, flow control enabled
  Priority force disabled, Drop precedence level 0, Drop precedence force disabled
  dhcp-snooping-trust configured to OFF
  mirror disabled, monitor disabled
  LACP BPDU Forwarding:Disabled
  LLDP BPDU Forwarding:Disabled
  L2L3 protocols Forwarding:Enabled
  Not member of any active trunks
...
```

The forward-all-protocol command forwards the following protocols by hardware instead of the CPU.

For L2: UDLD (drop), FDP, CDP and MRP

For L3: IP broadcast (255.255.255.255), IP multicast ((224.0.0.x, 224.0.1.x) including RIP, OSPF, PIM, VRRP), ARP, DHCP, BOOTP, IS-IS, OSPF, ND6, RIPng, OSPFv3, PIMv6, anycast solicited node, DHCPv6

This command cannot be used on an MPLS interface as it will break existing neighbor relationship.

## VLL extended counters

With the support of ingress and egress port VLAN counters on the Brocade MLXe series 8x10G module, the port VLAN counters are enabled by default for all the Layer 2 Virtual Private Network (L2VPN) instances (VPLS, VLL, and Local VLL). As a result, the user can count the number of packets and bytes that are received and sent on a particular endpoint or all the endpoints of the L2VPN instances. The L2VPN extended counters can count all the types of packets including IPv4, IPv6, MPLS, MPLS over tagged, Generic Routing Encapsulation (GRE), GRE over tagged, unicast, and multicast. The user can also count per-priority statistics on each endpoint by enabling per-VLAN, port, and priority-based accounting mode on the ingress and egress counters at the global configuration level.

---

### NOTE

The extended counters for dual tag endpoints are not supported both on the ingress and egress ports.

---

The port VLAN counters are enabled by default for all the VLL instances. To disable the extended counters globally for all the VLL instances, enter the following command.

```
Brocade(config-mpls)# vll-policy
Brocade(config-mpls-vll-policy)# no extended-counters
```

Syntax: [no] extended-counters

## 4 Displaying VLL extended counters

When the extended counters are disabled globally, the user can enable the extended counters for a particular VLL instance by entering the following command.

```
Brocade(config-mpls-vll-test10)# extended-counters on
```

Syntax: [no] extended-counters [on | off]

The on option enables extended counters for a particular VLL instance. The off option disables extended counters for a particular VLL instance.

### Displaying VLL extended counters

When extended counters are enabled for a particular VLL instance either by default or explicit configuration, the user can display the number of bytes and packets received and sent on a particular endpoint or all the endpoints of that particular VLL instance. The counters are displayed whether or not the per-VLAN, port, and priority-based accounting mode is enabled at the global configuration level.

When the per-VLAN, port, and priority-based accounting mode is enabled at the global configuration level, the following output is displayed for the show mpls statistics vll extended-counters command.

```
Brocade# show mpls statistics vll vll78 extended-counters
VLL vll78, VLL-ID 78: Extended Counters (only applicable for G2 modules)
VLAN      Port      RxPkts    TxPkts    RxBytes   TxBytes
74        5/2       0         0         0         0
   p0      0         0         0         0
   p1      0         0         0         0
   p2      0         0         0         0
   p3      0         0         0         0
   p4      0         0         0         0
   p5      0         0         0         0
   p6      0         0         0         0
   p7      0         0         0         0
```

When the per-VLAN, port, and priority-based accounting mode is disabled, the following output is displayed for the show mpls statistics vll extended-counters command.

```
Brocade# show mpls statistics vll vll78 extended-counters
VLL vll78, VLL-ID 78: Extended Counters (only applicable for G2 modules)
VLAN      Port      RxPkts    TxPkts    RxBytes   TxBytes
74        5/2       0         0         0         0
```

Syntax: show mpls statistics vll [*vll-name* | *vll-id* [extended-counters [[*vlan vlan-id*] [*ethernet port-id*]]]]

The *vll-name* parameter specifies the configured name for a VLL instance.

The *vll-id* parameter specifies the ID of a VLL instance.

The extended-counters keyword enables the extended counters for a particular VLL instance.

The *vlan vlan-id* parameter specifies the ID of the configured VLAN.



The ethernet *port-id* parameter specifies the port ID of the interface for which the user wants to display the counters.

Table 86 describes the output parameters of the show mpls statistics vll extended-counters command.

**TABLE 86** Output of the show mpls statistics vll extended-counters command

Field	Description
VLL	The configured name for a VLL instance.
VLL-ID	The ID of the VLL instance.
VLAN	The ID of the configured VLAN.
Port	The port ID of the interface for which the user wants to display the counters.
RxPkts	The number of packets received at the specified port.
TxPkts	The number of packets transmitted from the specified port.
RxBytes	The number of bytes received at the specified port.
TxBytes	The number of bytes transmitted from the specified port.

## Clearing VLL extended counters

To clear all the port VLAN counters for a particular VLL instance, enter the following command.

```
Brocade# clear mpls statistics vll vll78 extended-counters
```

To clear all the port VLAN counters for a particular VLL instance and port under a specific VLL VLAN, enter the following command. This command is supported only for a single VLAN instance and is not supported for dual tag endpoints.

```
Brocade# clear mpls statistics vll vll78 extended-counters vlan 74
```

To clear all the port VLAN counters for all the endpoints of a particular VLL instance, enter the following command. When the VLL endpoint is a Link Aggregation Group (LAG), then the counters only for the given physical port are cleared.

```
Brocade# clear mpls statistics vll vll78 extended-counters vlan 74 ethernet 5/2
```

To clear all the port VLAN counters for the given priority of a particular VLL endpoint, enter the following command.

```
Brocade# clear mpls statistics vll vll78 extended-counters vlan 74 ethernet 5/2 p1
```

Syntax: clear mpls statistics vll [*vll-name* | *vll-id*] [extended-counters [[*vlan vlan-id*] [ethernet *port-id*] [*priority pri*]]]]]

The *vll-name* parameter specifies the configured VLL name for which the user wants to clear the counters.

The *vll-id* parameter specifies the ID of a VLL instance for which the user wants to clear the counters.

The vlan *vlan-id* parameter specifies the ID of the configured VLAN for which the user wants to clear the counters.

The ethernet *port-id* parameter specifies the port ID of the interface for which the user wants to clear the counters.

The priority *pri* parameter specifies a priority queue for a particular VLL endpoint for which the user wants to clear the counters.

## MPLS VLL behavior with other features

This section describes the interaction of MPLS VLL with the features sFlow, IFL CAM, and Layer 2 ACLs.

### sFlow

sFlow sampling is supported for VLL packets received from customer interfaces. sFlow is not supported for packets received from MPLS uplinks. The following describes the behavior for sFlow for VLL packets received from customer endpoints:

- When the endpoint is untagged, the default VLAN ID in the sFlow sample is used for both the incoming and outgoing VLAN fields in the sFlow sample collection.
- When the endpoint is tagged, the tag is used as both the incoming and outgoing VLAN in the sFlow sample collection.
- When the endpoint is dual-tagged, 4096 is used as the incoming VLAN to indicate that the packet is dual-tagged. When the VLL is in raw-mode, the outer VLAN of the packet is used as the outgoing VLAN ID in the sFlow sample collection. When the VLL is in tagged-mode, the inner VLAN ID of the packet is used as the outgoing VLAN ID in the sFlow sample collection.

Note that when the endpoint is dual-tagged, the sFlow packet does not contain VLL- or MPLS-specific information.

Table 87 illustrates the above points.

Endpoint	Source VLAN	Destination VLAN
Untagged	Default VLAN	Default VLAN
Single-tagged	Incoming VLAN	Incoming VLAN
Dual-tagged	4096	Raw mode: Incoming outer VLAN Tagged mode: Incoming inner VLAN

### IFL CAM

For dual-tagged VLL instances, IFL CAM entries are used for the service lookup. The default system value for IFL CAM is 8192, which can be modified up to a maximum of 81920 entries using the CLI command `system-max ifl-cam number`.

## Layer 2 ACLs

When the port and VLAN combination of a Layer 2 ACL matches with any VLL endpoint, the ACL is applied. For dual-tagged VLL endpoints, the Layer 2 ACL is applied based on the port and outer VLAN combination, when it is configured.

## Displaying MPLS VLL information

The user can display the following information about the MPLS VLL configuration on the device:

- Information about individual MPLS VLLs configured on the device
- Information about detailed MPLS VLLs configured on the device
- Information about LDP sessions between VLL peers
- Information about VLL Endpoint Statistics
- Information about packets sent between VLL endpoints and MPLS uplinks

## Displaying information about MPLS VLLs

Use the following command to display information about MPLS VLLs.

```
Brocade# show mpls vll
Name      VC-ID   Vll-peer      End-point      State  Tunnel-LSP
test     10     10.11.11.11   tag vlan 2    e 1/10    UP      tn17
test2    100    --            tag vlan 100  inner-vlan 45 e2/1    DOWN
```

Syntax: show mpls vll

---

### NOTE

Show commands have been enhanced to include the full MPLS name. Previously, the MPLS name was truncated because it exceeded the character length. Now, the MPLS name is text wrapped to display the full name.

---

For each MPLS VLL on the device, the following information is displayed.

**TABLE 88** Output from the show mpls vll command

This field...	Displays...
Name	The configured name of the VLL.
VC-ID	The user-configurable ID as defined in draft-ietf-pwe3-control-protocol-14.txt.
Vll-peer	The remote PE router. This must be the same as the LSP destination for the LSPs that the VLL is transported over.

**TABLE 88** Output from the show mpls vll command (Continued)

This field...	Displays...
End-point	How packets are forwarded once they reach the egress LER. This can be one of the following <ul style="list-style-type: none"> <li>“untagged <i>portnum</i>” – Forward the packet out the specified port as untagged.</li> <li>“tag VLAN <i>vlan-id</i> / <i>portnum</i>” – Tag the packet with the specified VLAN ID and forward the packet out the specified port.</li> <li>tag VLAN <i>vlan-id</i> inner-vlan <i>vlan-id</i> – Tag the packet with the specified outer and inner VLAN IDs and forward the packet out the specified port.</li> <li>“undefined” – An endpoint has not been configured for this VLL</li> </ul>
State	The current state of the VLL. This can be either UP or DOWN. Data can be forwarded over the VLL only when the state is UP.
Tunnel-LSP	The name of the RSVP-signalled LSP that has been selected to carry the VLL traffic through the MPLS domain

## Displaying detailed information about MPLS VLLs

To display detailed information about the VLLs configured on the device, use the show mpls vll detail command. The show mpls vll detail command has changed. The following DOWN states (with their respective reasons), are introduced in the output of the show mpls vll detail command. For more information on the DOWN states, refer to [Table 89](#) on page 550.

- The state, DOWN - PW is Down (Reason: Out of VC labels)
- The state, DOWN - PW is Down (Reason: LDP session is down)

### NOTE

The state, DOWN - no LDP session to vll-peer is removed from the output, and replaced with the state, DOWN - PW is Down (Reason: LDP session is down).

- The state, DOWN - PW is Down (Reason: Out of Memory)
- The state, DOWN - PW is Down (Reason: Waiting for Remote VC label)
- The state, DOWN - PW is Down (Reason: MTU mismatch Local- MTU *mtu-value*, Remote-MTU *mtu-value*)
- The state, DOWN - PW is Down (Reason: VC type mismatch, Local VC type: *vc-type*, Remote VC type: *vc-type*)

### NOTE

The state, DOWN - VC Type Mismatch in VC signalling, Local VC type *vc-type*, Remote VC type *vc-type* is removed from the output, and replaced with the state, DOWN - PW is Down (Reason: VC type mismatch, Local VC type:*vc-type*, Remote VC type: *vc-type*).

For example, the state, DOWN - Pseudo Wire (PW) is Down (Reason: MTU mismatch Local-MTU 1500, Remote -MTU 1400) indicates that PW is down because the MTU values between the local MTU and the remote MTU are not equal, as shown in the example below.

```

Brocade# show mpls vll detail
VLL VLL1 VC-ID 1001
State:      DOWN -PW is Down (Reason: MTU mismatch Local-MTU 1500, Remote-MTU 1400)
End-point:  tagged vlan 1001 e 2/20
IFL-ID:      --
Vll-peer:   10.21.21.21
Local VC type:  tag                Remote VC type:  --
Local label:   --                  Remote label:    --
Local group-id: 0                  Remote group-id: --
Local VC MTU:  1500                Remote VC MTU:   1400
COS:          --                    Tunnel LSP:      LSP_XMR21 (tn10)
Extended Counters: Enabled

```

The example below displays state, DOWN - PW is Down (Reason: LDP session is down) for a single-tagged VLL instance.

```

Brocade# show mpls vll detail
VLL VLL1 VC-ID 1001
State:      DOWN -PW is Down (Reason: LDP session is down)
End-point:  tagged vlan 1001 e 2/20
IFL-ID:      --
Vll-peer:   10.21.21.21
Local VC type:  tag                Remote VC type:  --
Local label:   --                  Remote label:    --
Local group-id: 0                  Remote group-id: --
Local VC MTU:  1500                Remote VC MTU:   --
COS:          --                    Tunnel LSP:      LSP_XMR21 (tn10)T
Extended Counters: Enabled

```

The UP state is introduced in the output of the show mpls vll detail command. The UP state indicates that VLL is operational and packets are able to flow. The following example displays an output of a dual-tagged VLL instance in an UP state.

```

Brocade# show mpls vll detail
VLL VLL1 VC-ID 1001
State:      UP
End-point:  tagged vlan 1001 e 2/20
IFL-ID:      --
Vll-peer:   10.21.21.21
Local VC type:  tag                Remote VC type:  tag
Local label:    800001              Remote label:    800002
Local group-id: 0                  Remote group-id: 0
Local VC MTU:  1500                Remote VC MTU:   1500
COS:          --                    Tunnel LSP:      LSP_XMR21 (tn10)
Extended Counters: Enabled

```

The DOWN states, Waiting for PW Up, and Waiting for VC Withdrawal Completion is introduced in the output of the show mpls vll detail command, and are described in more detail below.

- The state, DOWN - Waiting for PW Up indicates that VLL is waiting for MPLS to bring up the session.
- The state, DOWN - Waiting for VC Withdrawal Completion indicates that PW is down, and VLL is waiting for MPLS to withdraw the labels that VLL has requested.

The following example below displays the state, Down - Waiting for PW Up.

## 4 Displaying MPLS VLL information

```

Brocade# show mpls vll detail
VLL VLL1 VC-ID 1001
State:      DOWN -Waiting for PW Up
End-point:   tagged vlan 1001 e 2/20
IFL-ID:      --
Vll-peer:    10.21.21.21
Local VC type:  tag                Remote VC type:  --
Local label:   --                  Remote label:    --
Local group-id: 0                  Remote group-id: --
Local VC MTU:  1500                Remote VC MTU:   --
COS:          --                    Tunnel LSP:      LSP_XMR21 (tnl0)
Extended Counters: Enabled

```

Syntax: show mpls vll detail | *vll-name*

For each configured VLL, the command displays the following information in Table 263.

**TABLE 89** Output from the show mpls vll detail command

This field...	Displays...
state	<p>The current state of the VLL. This can be one of the following</p> <ul style="list-style-type: none"> <li>• “UP” VLL is operational - packets can flow.</li> <li>• “DOWN - configuration incomplete” A required configuration statement is missing.</li> <li>• “DOWN - endpoint port to CE is down” The physical endpoint port that must be connected to the Customer Edge device is down due to a link outage or is administratively disabled.</li> <li>• “DOWN - no tunnel LSP to vll-peer” Cannot find a working LSP.</li> <li>• “DOWN - PW is Down (Reason: LDP session is down)” LDP session is not yet ready.</li> <li>• “DOWN - Waiting for PW Up” VLL is waiting for MPLS to bring up the session.</li> <li>• “DOWN - Waiting for VC withdrawal Completion” PW is down, and VLL is waiting for MPLS to withdraw the labels that VLL has requested.</li> <li>• “DOWN - PW is Down (Reason: Out of VC labels)” PW is down; VC labels are not available.</li> <li>• “DOWN - PW is Down (Reason: Out of Memory)” PW is down; there is not sufficient memory available.</li> <li>• “DOWN - PW is Down (Reason: Waiting for Remote VC label)” PW is down; waiting for remote peer’s VC label to be advertised.</li> <li>• “DOWN - waiting for VC label binding from vll-peer” The device has advertised its VC label binding to the VLL peer, but has not yet received the peer’s VC label binding.</li> <li>• “DOWN - PW is Down (Reason: MTU mismatch Local- MTU <i>mtu-value</i>, Remote-MTU <i>mtu-value</i>)” PW is down and the MTU values for the local and remote peers are not equal.</li> <li>• “DOWN - PW is Down (Reason: VC type mismatch, Local VC type: <i>vc-type</i>, Remote VC type: <i>vc-type</i>)” – The session cannot be brought up because the VC types of the local and remote peers are not equal. The possible values for the <i>vc-type</i> variable are 5 for raw mode or 4 for tagged mode.</li> </ul>
End-point	<p>How packets are forwarded once they reach the egress LER. This can be one of the following:</p> <ul style="list-style-type: none"> <li>• “untagged <i>portnum</i>” - Forward the packet out the specified port as untagged.</li> <li>• “tagged VLAN <i>vlan_id</i> / <i>portnum</i>” - Tag the packet with the specified VLAN ID and forward the packet out the specified port.</li> <li>• “tagged VLAN <i>vlan-id</i> inner-vlan <i>vlan-id</i>” – Tag the packet with the specified outer and inner VLAN IDs and forward the packet out the specified port.</li> <li>• “undefined” - An endpoint has not been configured for this VLL.</li> </ul>

**TABLE 89** Output from the show mpls vll detail command (Continued)

This field...	Displays...
IFL-ID	The Internal Forwarding Lookup Identifier (IFL-ID) that is allocated to each Local VLL instance that has at least one dual-tagged endpoint. For instances that do not have dual-tagged endpoints, the IFL-ID is displayed as "--".
Vll-peer	The remote PE router. This must be the same as the LSP destination for the LSPs that the VLL is transported over.
Local VC Type	Indicates whether the local VC is in Raw-mode or Tagged-mode.
Remote VC Type	Indicates whether the remote VC is in Raw-mode or Tagged-mode.
Local Label	The VC label value locally allocated for this VLL. Packets forwarded from the VLL peer to this device are expected to contain this label. This is the label that is advertised to the VLL peer through LDP.
Remote Label	The VC label allocated by the VLL peer and advertised to this device through LDP. The device applies this label to outbound MPLS packets sent to the VLL peer.
Local Group-id	The VLL group-ID (defined in draft-martini-l2circuit-trans-mpls-07.txt) advertised to the VLL peer through LDP. In this release, this is always zero.
Remote Group-id	The VLL group-ID selected and advertised by the VLL Peer.
Local VC MTU	The MTU value configured for this local VC.
Remote VC MTU	The MTU value advertised from the VLL peer.
COS	The optional COS setting for the VLL. When a COS value is set, the device attempts to select a tunnel LSP that also has this COS value. The COS value can be between 0 - 7.
Tunnel LSP	The name, as well as internal tunnel index number, of the tunnel LSP selected for the VLL.
Extended Counters	Indicates whether or not the extended counters are enabled for the configured VLL.

In a situation when MPLS may run out local resources, an error state is displayed in the show mpls vll detail command output. The errors states, DOWN - VC binding Failed, and DOWN - VC withdrawal Failed are displayed in the examples below. To recover from this state, the user is required to delete the failed peer and reconfigure.

```

Brocade# show mpls vll detail
VLL VLL1 VC-ID 1001
State:      DOWN -VC binding Failed
End-point:  tagged vlan 1001 e 2/20
IFL-ID:      --
Vll-peer:    10.21.21.21
Local VC type: tag                               Remote VC type:  --
Local label:  --                                 Remote label:    --
Local group-id: 0                               Remote group-id: --
Local VC MTU: 1500                              Remote VC MTU:  --
COS:          --                                Tunnel LSP:      LSP_XMR21 (tn10)
Extended Counters: Enabled
    
```

The example below displays the state, DOWN - VC withdrawal failed.

## 4 Displaying MPLS VLL information

```
Brocade# show mpls vll detail
VLL VLL1 VC-ID 1001
State:      DOWN -VC withdrawal Failed
End-point:  tagged vlan 1001 e 2/20
IFL-ID:     --
Vll-peer:   10.21.21.21
Local VC type: tag                Remote VC type:  --
Local label:  --                  Remote label:    --
Local group-id: 0                 Remote group-id: --
Local VC MTU: 1500               Remote VC MTU:  --
COS:         --                  Tunnel LSP:      LSP_XMR21 (tn10)
Extended Counters: Enabled
```

VLL generates the following warning messages. MPLS also generates a warning message, and it displays on the console as shown in the example below.

```
WARNING: VLL Id 1 with Peer 10.1.1.1 is placed in VC Bind failure state due to
MPLS resource failure
```

```
WARNING: VLL Id 2 with Peer 10.2.2.2 is placed in VC Withdraw failure state due to
MPLS resource failure
```

## Displaying LDP information

To display information about the state of the LDP connection between the device and VLL peers, enter the following command.

```
Brocade# show mpls ldp peer
Peer LDP ID State Num-VLL Num-VPLS-Peer
10.11.11.11:0 Operational 32008 0
10.13.13.13:0 Operational 0 0
```

Syntax: show mpls ldp peer

For each VLL peer, the command displays the following information:

**TABLE 90** Output from the show mpls ldp target-peer command

This field...	Displays...
Peer-addr	The IP addresses of VLL peers.
State	The state of the LDP session with the VLL peer. This can be one of the following “Unknown” LDP session establishment has not started for this peer, normally because no Hello messages have been received from the peer. In this situation, that peer does not show up in the output of the show mpls ldp session command. “Nonexistent”, “Initialized”, “OpenRec”, “OpenSent”, or “Operational” LDP session states, as defined in RFC 3036.

To display information about LDP sessions between the device and VLL peers.



```
Brocade# show mpls ldp session
Peer LDP Ident: 192.168.2.100:1, Local LDP Ident: 10.1.1.1:1
Active: no, State: Operational
TCP connection: 10.1.1.1:646--10.2.2.2:9001, State: ESTABLISHED
Addresses bound to peer LDP Ident:
    10.1.1.2
    1.1.1.2
    20.1.1.2
    22.2.2.2
```

Syntax: show mpls ldp session [*label-space-id* | detail | brief ]

For each established LDP session, the command displays the following information.

**TABLE 91** Output from the show mpls ldp session command

This field...	Displays...
Peer LDP Ident	The VLL peer's LDP identifier, consisting of the LSR ID and label space ID.
Local LDP Ident	The device's LDP identifier.
Active	Whether this LSR is playing an active role in session establishment.
State	The LDP session state, as defined in RFC 3036. This can be "Nonexistent", "Initialized", "OpenRec", "OpenSent", or "Operational".
TCP connection, state	The TCP local or remote IP address, port and state.
Addresses bound to peer LDP Ident	IP addresses carried in the VLL peer's LDP Address messages.

To display information about LDP sessions between a specified router and VLL peers.

```
Brocade# # show mpls ldp session 10.22.22.22
Peer LDP ID: 10.22.22.22:0, Local LDP ID: 10.24.24.24:0, State: Operational
Adj: Link, Role: Active, Next keepalive: 0 sec, Hold time left: 30 sec
Keepalive interval: 6 sec, Max hold time: 36 sec
Neighboring interfaces: e1/4
TCP connection: 10.24.24.24:9012--10.22.22.22:646, State: ESTABLISHED
Next-hop addresses received from the peer:
    10.22.22.22 10.40.40.1 10.10.10.2
```

The command displays the following information.

**TABLE 92** Output from the show mpls ldp session command

This field...	Displays...
Peer LDP Ident	The VLL peer's LDP identifier, consisting of the LSR ID and label space ID.
Local LDP Ident	The device's LDP identifier.
State	The LDP session state, as defined in RFC 3036. This can be "Nonexistent", "Initialized", "OpenRec", "OpenSent", or "Operational".
Adj	The type of adjacency formed with a peer. Possible values are Link, or Targeted.
Role	This can be either of the following values Active or Passive.
Next KeepAlive	The number of seconds after which a "Hello" message is sent to a peer.
Hold time left	The number of seconds after which a session can be terminated when a "Hello" message is not received from the peer within this time.

**TABLE 92** Output from the show mpls ldp session command (Continued)

This field...	Displays...
KeepAlive interval	The frequency within which LDP “Hello” messages are sent out.
Max hold time	The length of time the device waits for a “Hello” message from its peer before terminating the session.
Neighboring interfaces	The physical interfaces on which the adjacency to the neighbor is formed.
TCP connection, state	The TCP local or remote IP address, port and state.
Next-hop addresses received from the peer	IP addresses carried in the VLL peer’s LDP Address messages.

## Displaying VLL endpoint statistics

The user can display VLL Endpoint traffic statistics to see the forwarding counters for each VLL configured on the system. The display is shown so that, for a given port range that receives traffic, it shows the number of packets arriving from the customer endpoint and the number of packets arriving from the MPLS core and going to the customer interface.

To display all VLL traffic statistics on a Brocade device, enter the following command.

```
Brocade# show mpls statistics vll
VLL-Name      VLL Port(s)    VLL-Ingress-Pkts  VLL-Egress-Pkts
-----
VLL1          e1/1           100                100
VLL2          e1/4           100                100
```

### NOTE

The VLL name is repeated for each module from where the statistics are collected, to be displayed on the Management console.

To display VLL traffic statistics for a VLL instance specified by its VLL name, enter the following command.

```
Brocade# show mpls statistics vll vll1
VLL-Name      VLL Port(s)    VLL-Ingress-Pkts  VLL-Egress-Pkts
-----
VLL1          e1/1           100                100
```

To display VLL traffic statistics for a VLL instance specified by its VLL ID, enter the following command.

```
Brocade# show mpls statistics vll 4
VLL-Name      VLL Port(s)    VLL-Ingress-Pkts  VLL-Egress-Pkts
-----
VLL1          e1/1           100                100
```

Syntax: show mpls statistics vll [vll-name | vll-id]

The *vll-name* variable is the configured name for a VLL instance.  
 The *vll-id* variable is the ID of a VLL instance.

For following information is displayed in the show mpls statistics vll command.

**TABLE 93** Output from the show mpls vll command

This field...	Displays...
VLL-Name	The configured name of the VLL instance.
VLL-Ports	The port where the traffic is monitored.
VLL-Ingress-Pkts	Packets arriving from the Customer Endpoint.
VLL-Egress-Pkts	Packets arriving from the MPLS core and going to the customer interface.

## Clearing Local VLL traffic statistics

To clear all the statistics for all the Local VLL instances, enter the following command.

```
Brocade# clear mpls statistics vll-local
```

To clear all the statistics for a particular Local VLL instance, enter the following command.

```
Brocade# clear mpls statistics vll-local loc8
```

Syntax: clear mpls statistics vll-local [*vll-name* | *vll-id*]

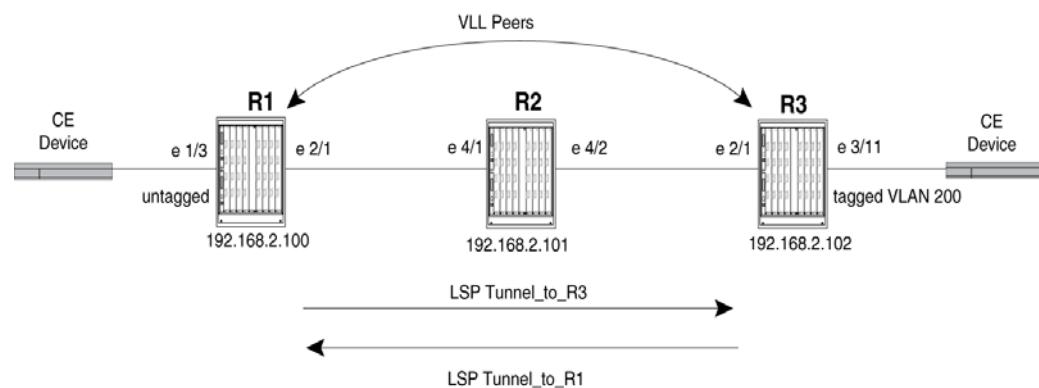
The *vll-name* parameter specifies the configured name for a Local VLL instance.

The *vll-id* parameter specifies the ID of a Local VLL instance.

## Sample MPLS VLL configuration

Figure 60 depicts a sample VLL configuration.

**FIGURE 60 MPLS VLL configuration**



## 4 Sample MPLS VLL configuration

In this example, routers R1 and R3 are Provider Edge (PE) routers configured as VLL peers. R1 and R3 have established an LDP session to exchange VLL label information. When the LDP session is established, each router advertises its locally assigned VC label and VC ID to its VLL peer.

RSVP-signalled (tunnel) LSPs have been established in each direction between the two routers. When the CE device forwards a Layer 2 packet to R1, the router assigns the packet to an RSVP-signalled LSP whose destination is R3. R1 encapsulates the packet as an MPLS packet, adding a tunnel label and the VC label advertised to the router by R3. The MPLS packet is then forwarded over the outbound interface indicated by the tunnel label to the next hop in the LSP.

When the MPLS packet reaches R2, the penultimate LSR in the tunnel LSP, R2 pops the tunnel label, leaving the packet with only the VC label, then forwards the packet to R3.

R3 examines the VC label in the packet. On R3, the VC label is mapped to the user-specified endpoint for the VLL. In this example, the endpoint consists of VLAN ID 200 and interface 3/11. R3 then pops the VC label, tags the Layer 2 packet with VLAN 200, then forwards the packet out interface 3/11.

In the opposite direction, R3 assigns traffic received from the CE device to an RSVP-signalled LSP destined for R1, pushes tunnel and VC labels onto the packets, and forwards them to the next hop in LSP. When the packets reach R1, the router pops the VC label and forwards the Layer 2 packets out the interface indicated by the VLL endpoint. In this example, the endpoint consists of interface 1/3, so the packets are forwarded untagged out interface 1/3 to the CE device.

### Router R1

The following commands configure Router R1 in [Figure 60](#).

```
Brocade(config)# ip router-id 192.168.2.100
Brocade(config)# router ospf
Brocade(config-ospf-router)# area 0
Brocade(config-ospf-router)# exit
Brocade(config)# router mpls
Brocade(config-mpls)# mpls-interface e 2/1
Brocade(config-mpls)# policy
Brocade(config-mpls-policy)# traffic-engineering ospf
Brocade(config-mpls-policy)# exit
Brocade(config-mpls)# lsp Tunnel_To_R3
Brocade(config-mpls-lsp)# to 192.168.2.102
Brocade(config-mpls-lsp)# enable
Brocade(config-mpls-lsp)# exit
Brocade(config-mpls)# vll VLL_to_R3 40000
Brocade(config-mpls-vll)# vll-peer 192.168.2.102
Brocade(config-mpls-vll)# untagged e 1/3
Brocade(config-mpls-vll)# exit
Brocade(config)# interface loopback 1
Brocade(config-lbif-1)# port-name Generic All-Purpose Loopback
Brocade(config-lbif-1)# ip address 192.168.2.100/32
Brocade(config-lbif-1)# ip ospf area 0
Brocade(config-lbif-1)# exit
Brocade(config)# interface e 1/3
Brocade(config-if-e100-1/3)# port-name VLL_endpoint
Brocade(config-if-e100-1/3)# enable
Brocade(config-if-e100-1/3)# exit
```

```
Brocade(config)# interface e 2/1
Brocade(config-if-e1000-2/1)# port-name Connection_to_R2
Brocade(config-if-e1000-2/1)# enable
Brocade(config-if-e1000-2/1)# ip address 192.168.37.1/30
Brocade(config-if-e1000-2/1)# ip ospf area 0
Brocade(config-if-e1000-2/1)# exit
```

## Router R2

The following commands configure Router R2 in [Figure 60](#).

```
Brocade(config)# ip router-id 192.168.2.101
Brocade(config)# router ospf
Brocade(config-ospf-router)# area 0
Brocade(config-ospf-router)# exit
Brocade(config)# router mpls
Brocade(config-mpls)# mpls-interface e 4/1 to e 4/2
Brocade(config-mpls)# policy
Brocade(config-mpls-policy)# traffic-engineering ospf
Brocade(config-mpls-policy)# exit
Brocade(config)# interface e 4/1
Brocade(config-if-e1000-4/1)# enable
Brocade(config-if-e1000-4/1)# ip address 192.168.37.2/30
Brocade(config-if-e1000-4/1)# ip ospf area 0
Brocade(config-if-e1000-4/1)# exit
Brocade(config)# interface e 4/2
Brocade(config-if-e1000-4/2)# enable
Brocade(config-if-e1000-4/2)# ip address 192.168.41.2/30
Brocade(config-if-e1000-4/2)# ip ospf area 0
Brocade(config-if-e1000-4/2)# exit
Brocade(config)# interface loopback 1
Brocade(config-lbif-1)# port-name Generic All-Purpose Loopback
Brocade(config-lbif-1)# ip address 192.168.2.101/32
Brocade(config-lbif-1)# ip ospf area 0
Brocade(config-lbif-1)# exit
```

## Router R3

The following commands configure Router R3 in [Figure 60](#).

```
Brocade(config)# ip router-id 192.168.2.102
Brocade(config)# router ospf
Brocade(config-ospf-router)# area 0
Brocade(config-ospf-router)# exit
Brocade(config)# router mpls
Brocade(config-mpls)# mpls-interface e 2/1
Brocade(config-mpls)# policy
Brocade(config-mpls-policy)# traffic-engineering ospf
Brocade(config-mpls-policy)# exit
Brocade(config-mpls)# lsp Tunnel_To_R1
Brocade(config-mpls-lsp)# to 192.168.2.100
Brocade(config-mpls-lsp)# enable
Brocade(config-mpls-lsp)# exit
```

```

Brocade(config-mpls)# vll VLL_to_R1 40000
Brocade(config-mpls-vll)# vll-peer 192.168.2.100
Brocade(config-mpls-vll)# vlan 200
Brocade(config-mpls-vll-vlan)# tagged e 3/11
Brocade(config-mpls-vll-vlan)# exit
Brocade(config-mpls-vll)# exit
Brocade(config)# interface loopback 1
Brocade(config-lbif-1)# port-name Generic All-Purpose Loopback
Brocade(config-lbif-1)# ip address 192.168.2.102/32
Brocade(config-lbif-1)# ip ospf area 0
Brocade(config-lbif-1)# exit
Brocade(config)# interface e 3/11
Brocade(config-if-e100-3/11)# port-name VLL_endpoint
Brocade(config-if-e100-3/11)# enable
Brocade(config-if-e100-3/11)# exit
Brocade(config)# interface e 2/1
Brocade(config-if-e1000-2/1)# port-name Connection_to_R2
Brocade(config-if-e1000-2/1)# enable
Brocade(config-if-e1000-2/1)# ip address 192.168.41.1/30
Brocade(config-if-e1000-2/1)# ip ospf area 0
Brocade(config-if-e1000-2/1)# exit

```

## Local VLL

Local VLL is used to create a Virtual Leased Line (VLL) circuit with endpoints in the same Brocade device. A Local VLL can be configured between two ports in a router, two LAGs in a router or between a port and a LAG as shown in [Figure 61](#). Each entity (port or LAG) is identified as either “Endpoint 1” or Endpoint 2”.

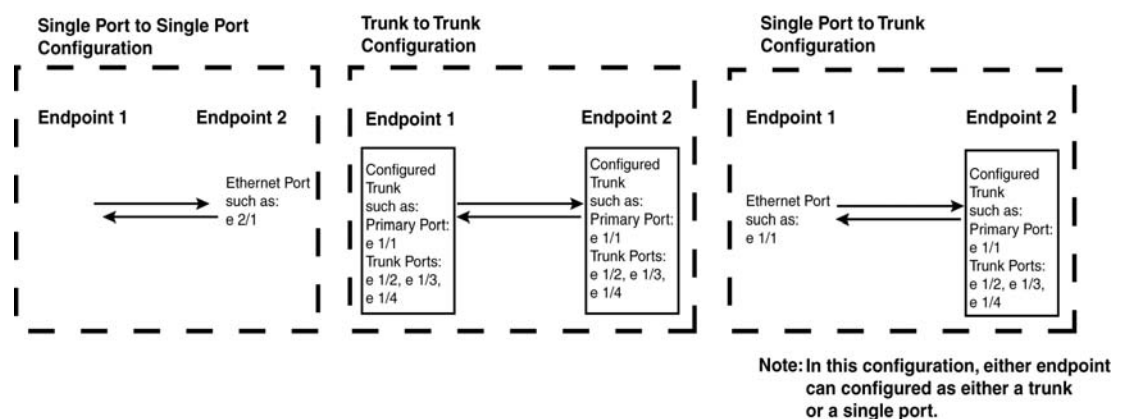
---

### NOTE

LAGs supported include server LAGs and per-packet server LAGs. LACP LAGs are not supported.

---

**FIGURE 61** Local VLL port and LAG configurations




---

### NOTE

When configuring a LAG as an endpoint, only the primary port of the LAG is specified in the Local VLL configuration.

---

**NOTE**

Packets that arrive on an interface with the same destination MAC address as the interface are forwarded in hardware just like packets with other destination addresses.

The endpoints connected to the Local VLL can be untagged or tagged as members of the same or different VLANs. Using this function of Local VLL, a router can receive packets with a particular tag or no tag on one endpoint and forward them to the Local VLLs other endpoint which may be untagged or tagged with a different VLAN tag. When so configured, the tags within the packets are changed to reflect the configuration of the egress port as they leave the router. This configuration performs the same function that the VLAN translation feature performed in releases prior to 4.0.00.

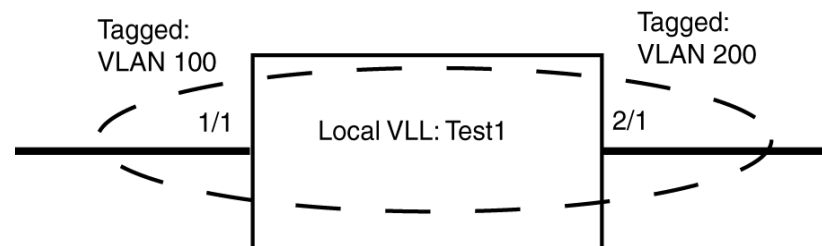
## Local VLL configuration examples

Local VLL supports traffic flows between any combination of single-tagged, untagged, and dual-tagged ports. Some scenarios are described and illustrated in the following configuration examples.

### Example of a Local VLL configured for single-tagged VLAN traffic on both ports

In [Figure 62](#) the Local VLL named “Test1” contains Ethernet ports 1/1 and 2/1. Port 1/1 is a member of VLAN 100 and port 2/1 is a member of VLAN 200. Because both ports belong to Local VLL “Test1” traffic tagged with VLAN 100 is able to reach nodes within VLAN 200 and traffic tagged with VLAN 200 is able to reach nodes within VLAN 100. Traffic that ingresses on port 1/1 must have a tag with the value “100” and egresses on port 2/1 with a tag value of “200”. Traffic that ingresses on port 2/1 must have a tag with the value “200” and egresses on port 2/1 with a tag value of “100”.

**FIGURE 62** Local VLL “Test1” with two tagged VLANs



```
Brocade(config)# router mpls
Brocade(config-mpls)# vll-local test1
Brocade(config-mpls-vll-lo-test1)# vlan 100
Brocade(config-mpls-vll-lo-test1-vlan)# tagged ethernet 1/1
Brocade(config-mpls-vll-lo-test1-vlan)# vlan 200
Brocade(config-mpls-vll-lo-test1-vlan)# tagged ethernet 2/1
```

### Example of a Local VLL configured for dual-tagged and single-tagged VLAN traffic

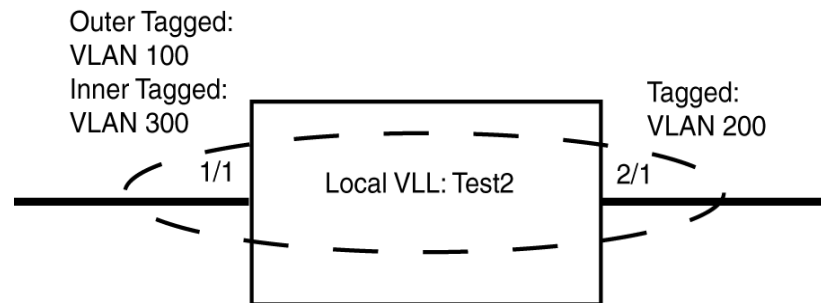
The user can configure a Local VLL with ports that are configured for dual tags. In a dual-tagged configuration, the packets contain an outer tag and an inner tag. One or both of the VLANs configured for the Local VLL has an inner VLAN configured in addition to the default outer VLAN.

Under this configuration, a router can receive packets with a two tags on one endpoint and forward them to the Local VLLs other endpoint either untagged, tagged with a single tag or tagged with an inner and outer VLAN tag. Where dual-tagging is used within a Local VLL, the system allocates an Internal Lookup Identifier (IFL-ID) for the Local VLL instance.

In [Figure 63](#) the Local VLL named “Test2” contains Ethernet ports 1/1 and 2/1. Port 1/1 is a member of VLAN 100 and is configured to accept packets with an inner VLAN tag value of 300. Port 2/1 is a member of VLAN 200. Because both ports belong to Local VLL “Test2” traffic tagged with outer VLAN tag 100 and inner VLAN tag 300 is able to reach nodes within VLAN 200 and traffic tagged with VLAN 200 is able to reach nodes within VLAN 100. Traffic that ingresses on port 1/1 must have an outer tag with the value “100” and an inner tag with the value “300” and egresses on port 2/1 with a tag value of “200”. Traffic that ingresses on port 2/1 must have a tag with the value “200” and egresses on port 1/1 with an inner tag value of “100” and an outer tag value of “300”.



**FIGURE 63 Local VLL “Test2” with one single-tagged VLAN and one dual-tagged VLAN**



```

Brocade(config)# system-max ifl-cam 16384
Brocade(config)# router mpls
Brocade(config-mpls)# vll-local test2
Brocade(config-mpls-vll-lo-test1)# vlan 100 inner-vlan 300
Brocade(config-mpls-vll-lo-test1-vlan)# tagged ethernet 1/1
Brocade(config-mpls-vll-lo-test1-vlan)# vlan 200
Brocade(config-mpls-vll-lo-test1-vlan)# tagged ethernet 2/1

```

As shown in the following example, the user can use the `show mpls vll-local detail` command to see that an IFL-ID has been created for this Local VLL instance.

```

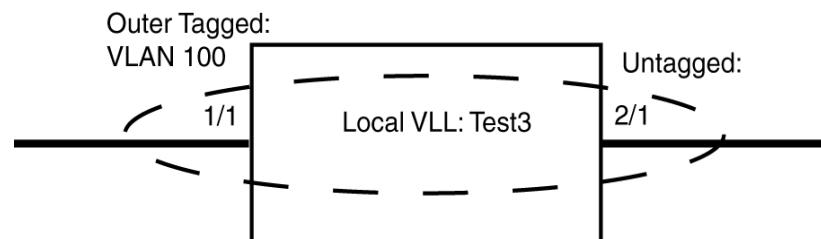
Brocade# show mpls vll-local detail
VLL test2 VLL-ID 1 IFL-ID 4096
State: UP
End-point 1:      tagged  vlan 100   inner-vlan 300   e 1/1
                  COS:  --
End-point 2:      tagged  vlan 200   e 2/1
                  COS:  --

```

### Example of a Local VLL configured for single-tagged and untagged VLAN traffic

In [Figure 64](#) the Local VLL named “Test3” contains Ethernet ports 1/1 and 2/1. Port 1/1 is a member of VLAN 100 and port 2/1 is untagged. Because both ports belong to Local VLL “Test3”, traffic tagged with VLAN 100 is able to reach nodes attached to the untagged port and traffic from the untagged port is able to reach nodes within VLAN 100.

**FIGURE 64 Local VLL “Test3” with one tagged VLAN and one untagged port**



```

Brocade(config)# router mpls
Brocade(config-mpls)# vll-local test3
Brocade(config-mpls)# untagged ethernet 2/1
Brocade(config-mpls-vll-lo-test1)# vlan 100
Brocade(config-mpls-vll-lo-test1-vlan)# tagged ethernet 1/1

```

## Local VLL QoS

The user can optionally specify Class of Service (COS) on a per-endpoint (EP) basis. This COS value applies to inbound traffic on the endpoint. When a COS value is not specified, the port's configured priority and the packet's 802.1p priority are used to determine the internal priority, as described for the following traffic flows.

Untagged Endpoint 1 (EP1) to Untagged Endpoint 2 (EP2).

1. When available, use the configured COS value on untagged EP1 otherwise go to step 2.
2. When there is a configured port priority on untagged EP1 use that priority; otherwise go to step 3.
3. When there is neither a COS value or priority configured (as described in steps 1 and 2), the default "best effort" priority is used.

Tagged Endpoint 1 (EP1) to Tagged Endpoint 2 (EP2).

1. When available, use the configured COS value on tagged EP1; otherwise go to step 2.
2. The 802.1p priority of incoming packets on the tagged EP1 is merged with the port priority of EP1.

Untagged Endpoint 1 (EP1) to Tagged Endpoint 2 (EP2).

1. When available, use the configured COS value on untagged EP1; otherwise go to step 2.
2. When there is a configured port priority on untagged EP1 use that priority; otherwise go to step 3.
3. When there is neither a COS value or priority configured (as described in steps 1 and 2), the default "best effort" priority is used.

Tagged Endpoint 1 (EP1) to Untagged Endpoint 2 (EP2).

1. When available, use the configured COS value on tagged EP1; otherwise go to step 2.
2. The 802.1p priority of incoming packets on the tagged EP1 is merged with the port priority of EP1.

Double-Tagged Endpoint 1 (EP1) to Double-Tagged Endpoint 2 (EP2).

1. The internal priority is determined.
2. When Vll-local COS is configured, this value overrides internal priority.
3. By default, the outgoing outer VLAN COS is mapped from the internal priority by use of the egress encoding map. The internal priority does not affect the outgoing inner VLAN COS.
4. The outgoing outer VLAN COS is preserved when qos pcp encode-policy off is configured on the outgoing interface.
5. The outgoing inner VLAN COS is preserved — it is the same as the incoming packet's inner VLAN COS.

Single-Tagged Endpoint 1 (EP1) to Double-Tagged Endpoint 2 (EP2).

1. The internal priority is determined.
2. When VII-local COS is configured, this value overrides internal priority.
3. The outgoing outer VLAN COS is mapped from internal priority through use of the egress encoding map by default. The internal priority does not affect the outgoing inner VLAN COS.
4. The outgoing outer VLAN COS is preserved when qos pcp encode-policy off is configured on the outgoing interface.
5. The outgoing inner VLAN COS is the COS in the incoming packet.

Untagged Endpoint 1 (EP1) to Double-Tagged Endpoint 2 (EP2).

1. The internal priority is determined.
2. When VII-local COS is configured, this value overrides internal priority.
3. The outgoing outer VLAN COS is mapped from internal priority through the use of the egress encoding map by default. The internal priority does not affect the outgoing inner VLAN COS.
4. The outgoing outer VLAN COS is zero when qos pcp encode-policy off is configured on the outgoing interface.
5. The outgoing inner VLAN COS would be zero.

Double-Tagged Endpoint 1 (EP1) to Single-Tagged Endpoint 2 (EP2).

1. The internal priority is determined.
2. When VII-local COS is configured, its value overrides internal priority.
3. By default, the outgoing VLAN COS is mapped from the internal priority by use of the egress encoding map.
4. The outgoing VLAN COS is equal to the incoming, inner VLAN COS when qos pcp encode-policy off is configured on the outgoing interface.

## CoS behavior for Local VLL

### NOTE

This section assumes that the user understands how QoS works.

Table 94 describes the expected Class of Service (CoS) behavior for VLL packets when Local VLL is in effect.

**TABLE 94** Expected class of service behavior for Local VLL

Local VLL endpoints	Incoming packet		Outgoing packet	
	Outer VLAN	Inner VLAN	Outer VLAN	Inner VLAN
Dual-tagged to dual-tagged	X	Y	X' or X	Y
Single-tagged to dual-tagged	X	N/A	X' or X	X

**TABLE 94** Expected class of service behavior for Local VLL

Local VLL endpoints	Incoming packet		Outgoing packet	
	Outer VLAN	Inner VLAN	Outer VLAN	Inner VLAN
Untagged to dual-tagged	N/A	N/A	X' or 0	0
Dual-tagged to single-tagged	X	Y	X' or Y	N/A

Legend for Table 94

X = original outer VLAN CoS

Y = original inner VLAN CoS

X' = mapped CoS from internal priority (X contributes to internal priority) using CoS encode table

## Configuring Local VLL

Configuring Local VLL uses the following procedures:

- [“Local VLL configuration”](#)
- [“Specifying Local VLL endpoints”](#)
- [“Configuring Local VLL QoS \(optional\)”](#)

### Local VLL configuration

Local VLL is configured under router mpls as shown.

```
Brocade(config)# router mpls
Brocade(config-mpls)# vll-local test1
```

Syntax: [no] vll-local *vll-name*

### Specifying Local VLL endpoints

Local VLL can be configured between any combination of untagged, single-tagged, and dual-tagged endpoints.

The following sections describe how to configure VLL Endpoints:

Configuring an untagged endpoint

To configure untagged port 1/1 into Local VLL instance “test1” use the following commands.

```
Brocade(config)# router mpls
Brocade(config-mpls)# vll-local test1
Brocade(config-mpls-vll-test1)# untagged ethernet 1/1
```

Syntax: [no] untagged ethernet *slot/port*

### Configuring a single-tagged endpoint

Tagged ports are configured under a VLAN ID. This ID is only meaningful for the tagged port.

For tagged ports, a *vlan-id, port* pair constitutes a VLL endpoint. When a port is currently a member of a non-default VLAN as an untagged port, it must be returned to the default VLAN before it can be assigned to a VLL as a tagged port.

To configure tagged port 1/2 with VLAN 200 into Local VLL instance “test1” use the following commands.

```
Brocade(config)# router mpls
Brocade(config-mpls)# vll-local test1
Brocade(config-mpls-vll-lo-test1)# vlan 200
Brocade(config-mpls-vll-lo-test1-vlan)# tagged ethernet 1/2
```

Syntax: `vlan VLAN-ID`

The range for VLAN ID is 1 – 4094. (This parameter range excludes the default VLAN ID.)

Syntax: `[no] tagged ethernet slot/port`

### Configuring a dual-tagged endpoint

Dual-tagged ports are configured under a VLAN ID. The main difference between single and dual tagged configuration is that in the dual-tagged configuration, a parameter for inner-vlan is configured.

#### Considerations when configuring the Local VLL with dual tagged endpoints

Before configuring a Local VLL to operate with Dual Tagged Endpoints, the user must consider the following:

- The System Max value for IFL CAM must be changed from its default value of zero (which does not support this feature) to a higher value.
- Only one dual-tag endpoint can exist on the same port per instance.
- The inner VLAN of the dual-tag endpoint cannot be configured dynamically. In other words, an existing single-tag VLL endpoint cannot be changed to a dual tag VLL endpoint on the fly. The user must delete the single-tag VLL endpoint before configuring a dual-tag endpoint.
- A dual tag VLL endpoint neither recognizes nor forwards packets that have a single tag. However, a single-tag endpoint can recognize and forward dual tag packets because the endpoint treats the second tag as data.
- When only the outer VLAN is specified for a given endpoint, the VLAN is called a less-specific VLAN. Similarly, when both the outer and inner VLANs are specified, the VLAN is called a more-specific VLAN (in relation to the outer VLAN).
- When a less-specific VLAN is already configured on a given port, then a more-specific VLAN with the same outer VLAN tag can be configured on that port. In the following example, a less-specific, tagged endpoint has been configured with VLAN 100 on port e 2/1, and a more-specific endpoint with outer-VLAN value of “100” and an inner-VLAN value of “200” is configured on port e 2/1.

```

Brocade(config-mpls)# vll-local test1
Brocade(config-mpls-vll-lo-test1)# vlan 100
Brocade(config-mpls-vll-lo-test1-vlan)# tag e 2/1
Brocade(config-mpls-vll-lo-test1-if-e-2/1)# vlan 100 inner-vlan 200
Brocade(config-mpls-vll-lo-test1-vlan)# tag e 2/1
Brocade(config-mpls-vll-lo-test1-vlan)#

```

The result of this example is that single-tagged packets received on port 2/1 with VLAN ID value of “100” and double-tagged packets with an outer-VLAN value of “100” and inner-VLAN of any value other than “200” are sent back out from port 2/1 with outer-VLAN value of “100” and an inner-VLAN value of “200”. Dual-tagged packets received on port 2/1 with an outer-VLAN value of “100” and an inner-VLAN value of “200” are sent back out from port 2/1 as single-tagged packets with a VLAN value of “100”.

- In any given Local VLL instance, two dual-tag endpoints on the same port are not allowed. The Error messages displayed in **bold** in the following two configuration examples describe this restriction.

```

Brocade(config-mpls)# vll-local test3
Brocade(config-mpls-vll-lo-test3)# vlan 100 inner-vlan 400
Brocade(config-mpls-vll-lo-test3-vlan)# tag e 2/3
Brocade(config-mpls-vll-lo-test3-if-e-2/3)# vlan 100 inner-vlan 500
Brocade(config-mpls-vll-lo-test3-vlan)# tag e 2/3
Error - VLL test3 already has a dual tag end-point on port 2/3 - another dual tag endpoint on the same port not allowed.
Brocade(config-mpls)# vll-local test4
Brocade(config-mpls-vll-lo-test3)# vlan 1000 inner-vlan 400
Brocade(config-mpls-vll-lo-test3-vlan)# tag e 2/3
Brocade(config-mpls-vll-lo-test3-if-e-2/3)# vlan 2000 inner-vlan 500
Brocade(config-mpls-vll-lo-test3-vlan)# tag e 2/3
Error - VLL test4 already has a dual tag end-point on port 2/3 - another dual tag endpoint on the same port not allowed.

```

To support dual tags, the VLAN CLI command in the Local VLL configuration mode has a parameter that lets the user configure dual tag endpoints.

```

Brocade(config)# router mpls
Brocade(config-mpls)# vll-local test1
Brocade(config-mpls-vll-lo-test1)# vlan 200 inner-vlan 300
Brocade(config-mpls-vll-lo-test1-vlan)# tagged ethernet 1/2

```

Syntax: [no] vlan *VLAN-ID* inner-vlan *Inner-VLAN-ID*

The range for VLAN-ID is 1 – 4094. (This parameter range excludes the default VLAN ID.)

The range for inner-VLAN-ID is 1 – 4095. (This parameter range does not exclude the default VLAN ID.)

## Configuring Local VLL QoS (optional)

The user can configure a Class of Service (COS) value for either a tagged or untagged port. when the COS value is configured, it is used to determine traffic priority as described in “[Local VLL QoS](#)” on page 562.

To set a COS value for an untagged port use the following command.

```
Brocade(config)# router mpls
Brocade(config-mpls)# vll-local test1
Brocade(config-mpls-vll-test1)# untagged ethernet 1/1
Brocade(config-mpls-if-e1000-1/1)# cos 3
```

To set a COS value for an tagged port use the following command.

```
Brocade(config)# router mpls
Brocade(config-mpls)# vll-local test1
Brocade(config-mpls-vll-test1)# vlan 200
Brocade(config-mpls-vll-vlan)# tagged 1/2
Brocade(config-mpls-if-e1000-1/2)# cos 4
```

Syntax: [no] cos *cos-value*

The *cos-value* can be set to a priority between 0 - 7.

## Local VLL extended counters

With the support of ingress and egress port VLAN counters on the Brocade MLXe series 8x10G module, the port VLAN counters are enabled by default for all Local VLL instances.

The user can disable the extended counter functionality globally for all the Local VLL instances by entering the following command.

```
Brocade(config-mpls)# vll-local-policy
Brocade(config-mpls-vll-local-policy)# no extended-counters
```

Syntax: [no] extended-counters

When the extended counters are disabled globally, The user can enable the extended counters for a particular Local VLL instance to display the number of bytes and packets received and sent on a particular endpoint or all the endpoints of that Local VLL instance.

To enable the extended counters for a particular Local VLL instance, enter the following command.

```
Brocade(config-mpls-vll-local-test10)# extended-counters on
```

Syntax: [no] extended-counters [on | off]

The on option enables extended counters for a particular Local VLL instance. The off option disables extended counters for a particular Local VLL instance.

## Displaying Local VLL extended counters

When extended counters are enabled for a particular Local VLL instance either by default or explicit configuration, the user can display the number of bytes and packets received and sent on a particular endpoint or all the endpoints of that Local VLL instance. The counters are displayed whether or not the per-VLAN, port, and priority-based accounting mode is enabled at the global configuration level.

When the per-VLAN, port, and priority-based accounting mode is enabled at the global configuration level, the following output is displayed for the `show mpls statistics vll-local extended-counters` command.

```
Brocade# show mpls statistics vll-local loc8 extended-counters
VLL loc8, VLL-ID 9: Extended Counters (only applicable for G2 modules)
VLAN      Port      RxPkts    TxPkts    RxBytes   TxBytes
94        5/2      4639941   0         1187824896 0
          p0       0         0         0         0
          p1       0         0         0         0
          p2       0         0         0         0
          p3       0         0         0         0
          p4       4639941   0         1187824896 0
          p5       0         0         0         0
          p6       0         0         0         0
          p7       0         0         0         0
```

When the per-VLAN, port, and priority-based accounting mode is disabled, the following output is displayed for the `show mpls statistics vll-local extended-counters` command.

```
Brocade# show mpls statistics vll-local loc8 extended-counters
VLL loc8, VLL-ID 9: Extended Counters (only applicable for G2 modules)
VLAN      Port      RxPkts    TxPkts    RxBytes   TxBytes
94        5/2      1175769   0         300996864 0
92        8/2      0         1178559   0         301711104
```

Syntax: `show mpls statistics vll-local [vll-name | vll-id [extended-counters [[vlan vlan-id] [ethernet port-id]]]]`

The *vll-name* parameter specifies the configured name for a Local VLL instance.

The *vll-id* parameter specifies the ID of a Local VLL instance.

The `extended-counters` keyword enables the extended counters for a particular Local VLL instance.

The `vlan vlan-id` parameter specifies the ID of the configured VLAN.

The `ethernet port-id` parameter specifies the port ID of the interface for which the user wants to display the counters.

[Table 95](#) describes the output parameters of the `show mpls statistics vll-local extended-counters` command.



**TABLE 95** Output of the show mpls statistics vll-local extended-counters command

Field	Description
VLL	The configured name for a Local VLL instance.
VLL-ID	The ID of the Local VLL instance.
VLAN	The ID of the configured VLAN.
Port	The port ID of the interface for which the user wants to display the counters.
RxPkts	The number of packets received at the specified port.
TxPkts	The number of packets transmitted from the specified port.
RxBytes	The number of bytes received at the specified port.
TxBytes	The number of bytes transmitted from the specified port.

## Clearing Local VLL extended counters

To clear all the port VLAN counters for a particular Local VLL instance, enter the following command.

```
Brocade# clear mpls statistics vll-local loc8 extended-counters
```

To clear all the port VLAN counters for a particular Local VLL instance and port under a specific Local VLL VLAN, enter the following command. This command is supported only for a single VLAN instance and is not supported for dual tag endpoints.

```
Brocade# clear mpls statistics vll loc8 extended-counters vlan 94
```

To clear all the port VLAN counters for all the endpoints of a particular Local VLL instance, enter the following command.

```
Brocade# clear mpls statistics vll loc8 extended-counters vlan 94 ethernet 5/2
```

To clear all the port VLAN counters for the given priority of a particular Local VLL endpoint, enter the following command.

```
Brocade# clear mpls statistics vll loc8 extended-counters vlan 94 ethernet 5/2 p1
```

Syntax: `clear mpls statistics vll-local [vll-name | vll-id [extended-counters [[vlan vlan-id] [ethernet port-id [priority pri]]]]]`

The *vll-name* parameter specifies the configured Local VLL name for which the user wants to clear the counters.

The *vll-id* parameter specifies the ID of a Local VLL instance for which the user wants to clear the counters.

The *vlan vlan-id* parameter specifies the ID of the configured VLAN for which the user wants to clear the counters.

## 4 Displaying Local VLL information

The ethernet *port-id* parameter specifies the port ID of the interface for which the user wants to clear the counters.

The priority *pri* parameter specifies a priority queue for a particular Local VLL endpoint for which the user wants to clear the counters.

# Displaying Local VLL information

The user can display the following information about the Local VLL configuration on a Brocade device:

- Information about individual Local VLLs configured on the router
- Information about VLL Endpoint Statistics

## Displaying information about Local VLLs

To display brief information about Local VLLs.

```
Brocade# show mpls vll-local
Name          VLL-ID  End-point1          End-point2          State
foundrylong   1       tag vlan 100 e 5/12  undefined            DOWN
vlllocalfou
ndrylongvll
localfoundr
ylongvllloc
alfoundry

test          2       tag vlan 200 inner-vlan 50 e 2/1  tag vlan 200 e 2/2  UP
Brocade
```

Syntax: show mpls vll-local

For each Local VLL on the device, the following information is displayed.

**TABLE 96** Output from the show mpls vll-local brief command

This field...	Displays...
Name	The configured name of the Local VLL.
VLL-ID	The VLL ID.
End-point	How packets are forwarded out of the egress port of the Local VLL. This can be one of the following: <ul style="list-style-type: none"><li>• “untagged <i>portnum</i>” – Forward the packet out the specified port as untagged.</li><li>• “tag VLAN <i>vlan_id</i> / <i>portnum</i>” – Tag the packet with the specified VLAN ID and forward the packet out the specified port.</li><li>• “undefined” – An endpoint has not been configured for this Local VLL</li><li>• “inner-vlan” – Describes the inner-VLAN tag for an end-point that is configured for dual-tagging.</li></ul>
State	The current state of the Local VLL. This can be either UP or DOWN. Data can be forwarded over the Local VLL only when the state is UP.

To display detailed information about a specific Local VLL configured on the device.

```

Brocade# show mpls vll-local detail
VLL test-1 VLL-ID 1 IFL-ID --
  State: UP
  End-point 1:      untagged e 2/2
                    COS: --
  End-point 2:      untagged e 2/13
                    COS: --
Extended Counters: Enabled
VLL test-2 VLL-ID 2 IFL-ID --
  State: UP
  End-point 1:      tagged  vlan 2500  e 2/10
                    COS: --
  End-point 2:      tagged  vlan 2500  e 2/9
                    COS: --
Extended Counters: Enabled
VLL test-3 VLL-ID 3 IFL-ID --
  State: UP
  End-point 1:      tagged  vlan 2501  e 2/10
                    COS: 6
  End-point 2:      tagged  vlan 2501  e 2/9
                    COS: 5
Extended Counters: Enabled
Vll test-4 VLL-ID 4 IFL-ID 4096
  State: UP
  End-point 1:      tagged  vlan 100   inner-vlan 45 e 2/1
                    COS: --
  End-point 2:      tagged  vlan 100   e 2/3
                    COS: --
Extended Counters: Enabled
    
```

Syntax: show mpls vll-local detail | *vll-name*

The detail parameter displays detailed information for all Local VLLs in the router while specifying a particular VLL using the *vll-name* option limits the display to the specified Local VLL.

For each configured Local VLL, the command displays the following information in addition to the information described in [Table 96](#).

**TABLE 97** Output from the show mpls vll-local detail command

This field...	Displays...
IFL-ID	The Internal Forwarding Lookup Identifier that is allocated to each Local VLL instance that has at least one dual tag endpoint. For instances that do not have dual tag endpoints, the IFL-ID is displayed as “-”.
state	The current state of the VLL. This can be one of the following: <ul style="list-style-type: none"> <li>• “UP”: Local VLL is operational - packets can flow.</li> <li>• “DOWN - configuration incomplete”: A required configuration statement is missing.</li> <li>• “DOWN - endpoint port is down”: The physical endpoint port is down due to a link outage or is administratively disabled.</li> </ul>

**TABLE 97** Output from the show mpls vll-local detail command (Continued)

This field...	Displays...
End-point	How packets are forwarded out of the egress port of the Local VLL. This can be one of the following: <ul style="list-style-type: none"> <li>“untagged <i>portnum</i>” – Forward the packet out the specified port as untagged.</li> <li>“tag VLAN <i>vlan_id</i> / <i>portnum</i>” – Tag the packet with the specified VLAN ID and forward the packet out the specified port.</li> <li>“undefined” – An endpoint has not been configured for this Local VLL</li> <li>“inner-vlan” – Describes the inner-VLAN tag for an end-point that is configured for dual-tagging.</li> </ul>
COS	The optional COS setting for the Local VLL. When a COS value is set, the COS value can be between 0 - 7.
Extended Counters	Indicates whether or not the extended counters are enabled for the configured Local VLL instances.

## Displaying Local VLL endpoint statistics

To view the forwarding counters for each Local VLL configured on the system, the user can display Local VLL Endpoint traffic statistics. The display is shown such that for a given port range that receives traffic, how many packets are arriving from the customer endpoint.

### NOTE

When the forwarding cam is full, the vll-local software forwarded packets are not accounted in vll-local statistics.

To display all VLL traffic statistics on a Brocade device, enter the following command.

```
Brocade# show mpls stat vll-local
VLL-Name      End-point 1/2      VLL Port(s)      VLL-Ingress-Pkts
-----
test          End-point1        e2/3-2/4         835192705
              End-point2        e2/3-2/4         838181595
test1         End-point1        e2/3-2/4         544017
              End-point2        e2/3-2/4         544017
test3         End-point1        e2/1             544022
              End-point2        e2/2             544022
```

To display VLL traffic statistics for a VLL instance specified by its VLL name, enter the following command.

```
Brocade# show mpls stat vll-local test
VLL-Name      End-point 1/2      VLL Port(s)      VLL-Ingress-Pkts
-----
test          End-point1        e2/3-2/4         0
              End-point2        e2/3-2/4         0
```

To display Local VLL traffic statistics for a VLL instance specified by its VLL ID, enter the following command.

```

Brocade# show mpls stat vll-local 4
VLL-Name      End-point 1/2      VLL Port(s)      VLL-Ingress-Pkts
-----
test3         End-point1         e2/1              0
              End-point2         e2/2              0

```

Syntax: show mpls statistics vll-local [*vll-name* | *vll-id*]

The *vll-name* variable is the configured name for a Local VLL instance.  
The *vll-id* variable is the ID of a VLL instance.

For following information is displayed in the show mpls statistics vll command:

**TABLE 98** Output from the show mpls vll-local command

This field...	Displays...
VLL-Name	The configured name of the Local VLL instance.
End-point 1/2	Either the End-point1 or End-point2 of the Local VLL instance
VLL Ports	The port or ports that are assigned to the end point. When there are multiple ports, they are members of a trunk.
VLL-Ingress-Pkts	Packets arriving on the specified end point from outside the Local VLL.

## Clearing the VLL traffic statistics

To clear the entries stored for all Local VLL statistics, enter a command such as the following.

```
Brocade# clear mpls statistics vll-local
```

Syntax: clear mpls statistics vll-local

## Enabling MPLS Local VLL traps

The user can enable trap notification to be sent for Local VLLs by entering the following command.

```
Brocade(config)# snmp-server enable trap mpls vll-local
```

Syntax: [no] snmp-server enable trap mpls vll-local

Refer to the *Unified IP MIB Reference* for MPLS VLL trap notifications.

## Disabling Syslog messages for MPLS VLL-local and VLL

Transitions of VLL local instances from an up state to a down state and vice versa are logged by default. The user can disable the logging of these events by entering the following command.

```
Brocade(config)# no logging enable mpls
```

Syntax: [no] logging enable mpls

Similarly, the generation of Syslog message for MPLS VLL events are enabled by default. The user can disable the logging of these event by entering the following command.

```
Brocade(config)# no logging enable mpls vll
```

Syntax: [no] logging enable mpls vll

## VLL raw-pass-through overview

This feature is in addition to the NetIron R05.5.00 software release for the NetIron product line. The raw-mode and tagged-mode supports are for both CES and XMR platforms. In the raw-pass-through mode, VLL instance behaves similar to either tagged-mode or raw-mode based on the VLL endpoint configuration and similar to tagged-mode for a tagged endpoint and raw-mode for an untagged endpoint.

## Packet formats and VC mode definitions

The expected raw-mode packet and tagged-mode packet formats are shown below.

Expected Raw Mode Packet format:

RDA	RSA	Etype	Label(s)	C-DA	C-SA	Etype (2B)	IP header and payload
-----	-----	-------	----------	------	------	------------	-----------------------

Expected Tagged Mode Packet format:

RDA	RSA	Etype	Label(s)	C-DA	C-SA	Etype (2B)	Payload Tag	Etype	IP header and payload
-----	-----	-------	----------	------	------	------------	-------------	-------	-----------------------

## Packet handling behavior

Depending on the type of endpoints configured on the VLL instance, VLL instance has the packet processing behavior listed in [Table 90](#).

**TABLE 99** Packet tag insertion and stripping decision

Local endpoint type	Packet received from local endpoint destined towards remote peer (MPLS uplink).	Packet received from local remote peer (MPLS uplink) destined towards local endpoint.
Untagged endpoint	No additional tag is inserted in the packet. Behaves the same as the "raw-mode".	No tag stripping from the received MPLS uplink packet. Behaves the same as the "raw-mode".
Tagged endpoint	Insert the received VLAN Tag into the MPLS uplink packet with the PCP value preserved. Behaves the same as the "tagged-mode".	Strip out the tag from the received MPLS uplink packet. Behaves the same as the "tagged-mode".

[Table 91](#) reviews the VC mode definitions.

**TABLE 100** VC mode definitions

VC Mode	PW VC type signaled to remote peer through LDP
Raw-mode	0x5 (Ethernet-type)
Tagged-mode	0x4 (Ethernet tagged)
Raw-pass-through	0x5 (Ethernet-type) - for untagged endpoint 0x4 (Ethernet tagged) - for tagged endpoint

Figure 58 describes the tagged packet handling with “tagged-mode” prior to NetIron R05.5.00.

**FIGURE 65 Tagged packet handling into and from MPLS link uplink with ‘tagged-mode’**

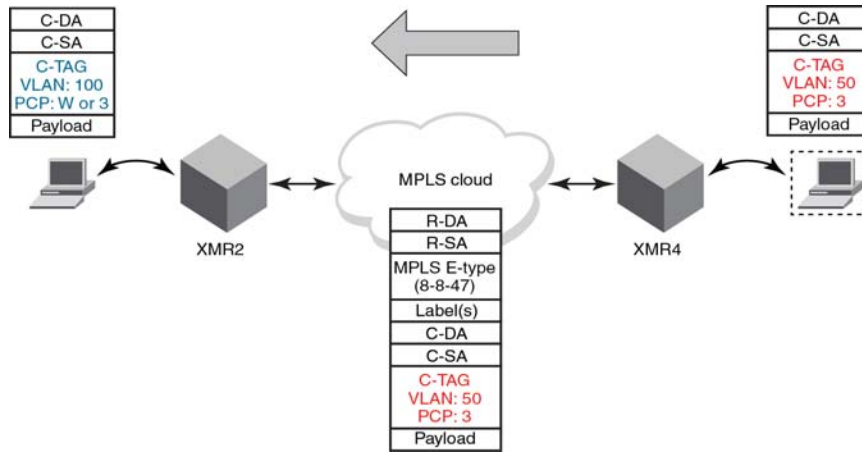


Figure 59 describes the tagged packet handling in the “raw-mode” prior to NetIron R05.5.00.

**FIGURE 66 Tagged packet handling into and from MPLS uplink with ‘raw-mode’**

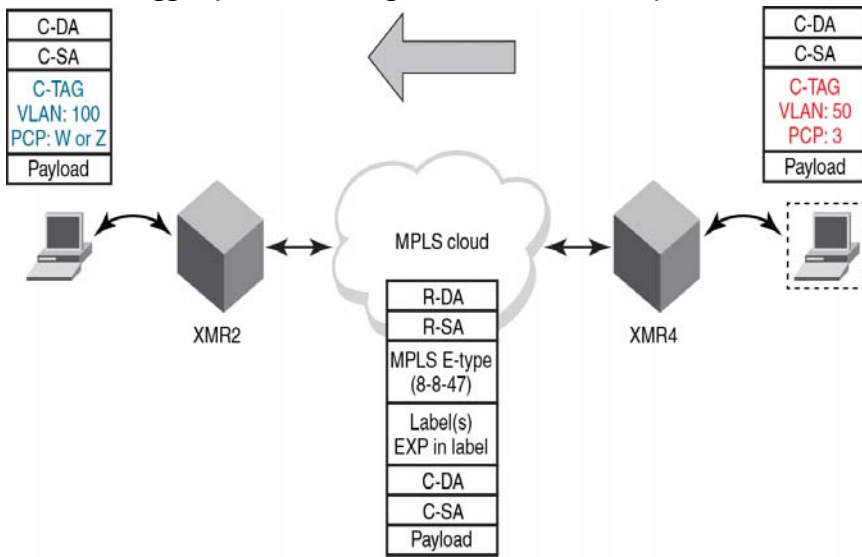
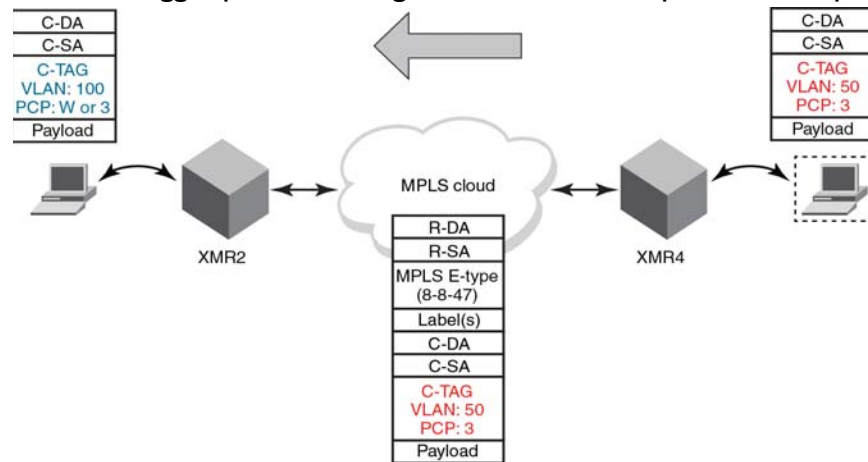




Figure 60 describes the behavior with “raw-pass-through-mode” with NetIron R05.5.00.

**FIGURE 67** Tagged packet handling into and from MPLS uplink with ‘raw-pass-through’



## Backward compatibility

This feature is backward compatible where the existing VC modes continue to be supported and operable with older releases.

## Upgrade and downgrade considerations

When deploying this feature, follow the standard upgrade procedure for the XMR/MLX platform.

## Scaling support

There are no changes to scaling numbers.

## Customer requirements

- Configured local endpoint as untagged
  - Pass the received tags ASIS from local endpoint towards remote peer
  - Treat payload tag received from MPLS Uplink (remote peer) as part of the payload and do not take its PCP into account for QOS decision making
- Configured local endpoint as tagged
  - Pass the received tags ASIS from local endpoint towards remote peer
  - Strip the payload tag received from MPLS uplink (remote peer) but preserve its PCP value and take into account for QOS decision making based on customer configuration

## Commands

The following commands support the features described in this chapter:

- `raw-pass-through-mode`
- `show mpls vll detail`

## raw-pass-through-mode

A new CLI option is added as part of the VLL configuration to support a raw-pass-through mode to inter-operate between the vendors. Prior to NetIron R05.5.00, there was only one option to configure VC mode as “raw-mode” and the default configuration is “tagged-mode”. A new option is added to allow you to select the “raw-pass-through mode”. This behaves like the “tagged-mode” when an endpoint is configured as a tagged endpoint or a “raw-mode” when an endpoint is configured as untagged endpoint.

Syntax	[no] vll <i>Name/Id</i> raw-pass-through-mode						
Command default	tagged-mode.						
Parameters	<p><i>Name</i></p> <p>Up to 64 characters.</p> <p><i>Id</i></p> <p>Range 1 - 4294967294</p>						
Modes	Interface sub-configuration mode						
Example	<pre> Brocade(config)# Brocade(config)# router mpls Brocade(config-mpls)# soft-preemption cleanup-timer  Brocade(config-mpls)# vll test 1 Brocade(config-mpls)# vll test 1 <b>raw-pass-through-mode</b> Brocade(config-mpls-vll-test)# vll-peer 10.0.0.1 Brocade(config-mpls-vll-test)# vlan 100 Brocade(config-mpls-vll-test-vlan-100)# tagged ethernet 1/12 Brocade(config-mpls-vll-test-vlan-100)# </pre>						
History	<table border="0"> <thead> <tr> <th style="text-align: left;">Release</th> <th style="text-align: left;">Command history</th> </tr> </thead> <tbody> <tr> <td>NetIron R05.5.00</td> <td>Command introduced.</td> </tr> </tbody> </table>	Release	Command history	NetIron R05.5.00	Command introduced.		
Release	Command history						
NetIron R05.5.00	Command introduced.						
Related commands	<table border="0"> <thead> <tr> <th style="text-align: left;">Related command</th> <th style="text-align: left;">Description</th> </tr> </thead> <tbody> <tr> <td>vll <i>Name/Id</i> cos</td> <td>Optional COS selection.</td> </tr> <tr> <td>vll <i>Name/Id</i> raw-mode</td> <td>Raw-mode Ethernet type (VC type 5)(Default is the tagged-mode with VC type 4).</td> </tr> </tbody> </table>	Related command	Description	vll <i>Name/Id</i> cos	Optional COS selection.	vll <i>Name/Id</i> raw-mode	Raw-mode Ethernet type (VC type 5)(Default is the tagged-mode with VC type 4).
Related command	Description						
vll <i>Name/Id</i> cos	Optional COS selection.						
vll <i>Name/Id</i> raw-mode	Raw-mode Ethernet type (VC type 5)(Default is the tagged-mode with VC type 4).						

## show mpls vll detail

To display detailed information about the configurations of the VLLs on the device, use the show mpls vll detail command.

Syntax	show mpls vll detail
Command default	None.
Parameters	None.
Command modes	Interface sub-configuration mode.
Usage guidelines	Using the show mpls vll detail command displays information about the operation state of the VPLS instance in regard to the local endpoints.

### Command output

Output field	Description
End-point	How packets are forwarded once they reach the egress LER. This can be one of the following: <ul style="list-style-type: none"> <li>• untagged <i>portnum</i> - Forwards the packet out the specified port as untagged.</li> <li>• tagged VLAN <i>vlan_id</i> /<i>portnum</i> - Tags the packet with the specified VLAN ID and forwards the packet out the specified port.</li> <li>• tagged VLAN <i>vlan-id</i> inner-vlan <i>vlan-id</i> - Tags the packet with the specified outer and inner VLAN IDs and forwards the packet out the specified port.</li> <li>• undefined - An endpoint has not been configured for this VLL.</li> </ul>
End-point state	Option: Up or down.
Local VC type	A new option is added to allow the user to select “raw-pass-through mode” which behaves like “tagged-mode” when the endpoint is configured as tagged endpoint or “raw-mode” when the endpoint is configured as untagged endpoint. Indicates whether the remote VC is in raw-mode, tagged-mode, or raw-pass-through-mode.
Local VC MTU	The MTU value configured for this local VC.
Extended counters	Indicates whether or not the extended counters are enabled for the configured VLL.
Counter	Indicates whether or not the counter is enabled or disabled.
VLL-peer	The remote PE router. This is the same as the LSP destination for the LSPs that the VLL is transported over.
State	The current state of the VLL. This can be either UP or DOWN. Data can be forwarded over the VLL only when the state is UP.
Remote VC type	A new option. Indicates whether the remote VC is in raw-mode, tagged-mode, or raw-pass-through-mode.
Local label	The VC label value locally allocated for this VLL. Packets forwarded from the VLL peer to this device are expected to contain this label. This is the label advertised to the VLL peer through LDP.
Local group-id	The VLL group-ID (defined in draft-martini-l2circuit-trans-mpls-07.txt) advertised to the VLL peer through LDP. In this release, it is always zero.
Tunnel LSP	The name, as well as internal tunnel index number, of the tunnel LSP selected for the VLL.

**Example** For tagged endpoint:

```

Brocade(config)# show mpls vll detail
VLL test, VC-ID 1, VLL-INDEX 0

End-point          : tagged  vlan 100   e 1/12
End-Point state    : Up
MCT state          : None
Local VC type     : raw-pass-through
Local VC MTU       : 1500
Extended Counters : disabled
Counter           : disabled

Vll-Peer           : 20.0.0.1
State              : UP
Remote VC type   : tag                Remote VC MTU : 1500
Local label        : 851968             Remote label   : 851968
Local group-id    : 0                   Remote group-id: 0
Tunnel LSP        : LDP (tnl0)

```

```
Brocade(config)#
```

## For untagged endpoint:

```

Brocade(config)# show mpls vll detail
VLL test, VC-ID 1, VLL-INDEX 0

End-point          : untagged  e 1/12
End-Point state    : Up
MCT state          : None
Local VC type     : raw-pass-through
Local VC MTU       : 1500
Extended Counters : disabled
Counter           : disabled

Vll-Peer           : 20.0.0.1
State              : UP
Remote VC type   : untag              Remote VC MTU : 1500
Local label        : 851968             Remote label   : 851968
Local group-id    : 0                   Remote group-id: 0
Tunnel LSP        : LDP (tnl0)

```

```
Brocade(config)#
```

**History**

Release	Command history
NetIron R05.5.00	A new option is added to allow you to select "raw-pass-through mode". This behaves like "tagged-mode" when the endpoint is configured as tagged endpoint or "raw-mode" when the endpoint is configured as untagged endpoint.

**Related commands**

Related command	Description
show mpls vll <i>DECIMAL</i>	VLL ID

## 4 show mpls vll detail

<b>Related command</b>	<b>Description</b>
show mpls vll <i>ASCII string</i>	VLL name
show mpls vll <i>brief</i>	Brief information
show mpls vll <i>redundancy</i>	MCT VLLs and VLLs having redundant peers

## IP over MPLS

One of the benefits that MPLS offers service providers is the ability to take advantage of MPLS traffic engineering capabilities to efficiently utilize the service provider network bandwidth, to control traffic placement, and to achieve fast network resilience. This is accomplished through IP-over-MPLS features.

Table 101 displays the individual Brocade devices and the IP over MPLS features they support.

**TABLE 101** Supported IP over MPLS features

Features supported	Brocade NetIron XMR Series	Brocade MLX Series	Brocade NetIron CES 2000 Series BASE package	Brocade NetIron CES 2000 Series ME_PREM package	Brocade NetIron CES 2000 Series L3_PREM package	Brocade NetIron CER 2000 Series Base package	Brocade NetIron CER 2000 Series Advanced Services package
IP over MPLS	Yes	Yes	No	Yes	No	No	Yes
BGP Shortcut with optional LSP metrics	Yes	Yes	No	Yes	Yes	No	Yes
BGP MPLS metric follow IGP	Yes	Yes	No	No	No	No	Yes
IS-IS Shortcuts	Yes	Yes	No	Yes	No	No	Yes
ECMP forwarding for IP over MPLS	Yes	Yes	No	No	No	No	No
LDP Route Injection	Yes	Yes	No	Yes	No	No	Yes
QoS Mapping Between IP Packets and MPLS	Yes	Yes	No	Yes	No	No	Yes
Using Traffic Engineered LSPs Within an AS	Yes	Yes	No	Yes	No	No	Yes
OSPF Shortcuts	Yes	Yes	No	Yes	No	No	Yes
BGP Shortcut Enhancement	Yes	Yes	No	No	Yes	No	Yes
IGP Ignore LSP Metric	Yes	Yes	No	Yes	No	No	Yes

---

**NOTE**

MPLS cannot be configured on the system globally when a NI-MLX-10Gx8-D card is installed.

---

The following sections describe some of the procedures and considerations required when configuring a device to carry IP traffic over an MPLS network:

- “[BGP shortcuts](#)” – This feature directs BGP to resolve a route nexthop to a MPLS LSP when one is available.
- “[LDP route injection](#)” – This feature allows the user to make selected customer routes available though LDP created LSP tunnels.
- “[Using traffic-engineered LSPs within an AS](#)” – This section describes how CoS values are determined for packets through an LSP.

---

**NOTE**

Do not forward packets from one type of tunnel to another type of tunnel in XPP. Packets may not be routed properly.

---

## BGP shortcuts

In a typical configuration, BGP considers only IP routes when building a routing table. When an MPLS network uses BGP to propagate routes, BGP must consider whether the MPLS tunnels are viable routes. The BGP shortcut feature forces BGP to use an MPLS tunnel as the preferred route to a destination network when one is available. The user can also force BGP to include LSP metrics for best-route computations.

When configured on an MPLS edge router, BGP computes routes to destinations available through other edge routers. When BGP determines that a route is available through an edge router that is reachable through an MPLS tunnel, a BGP shortcut directs BGP to place the MPLS tunnel in the routing table as the preferred BGP route.

The user can globally enable the BGP shortcut feature and optional inclusion of LSP metrics on a Brocade device. With the BGP shortcut feature enabled, the Brocade device first attempts to resolve BGP routes with an MPLS tunnel, and can optionally consider LSP metrics. When the BGP attempt at route resolution is unsuccessful, the Brocade device defaults to the IPv4 routing table.

### Key algorithms

This section describes the behavior of the system in three contexts.

- Next-hop MPLS disabled: Only IP routing tables are used to resolve routes for the routing table.
- Next-hop MPLS enabled: LSP with a fixed metric of one is used to resolve the routes. For routes that cannot be resolved, the system uses the routing table.
- Next-hop MPLS with LSP metric consideration: When BGP resolves the next hop with LSP, it uses the LSP metric as the IGP cost for that next hop. When any of the possible paths are through an LSP, then only LSPs are chosen. The IGP cost of each next hop is then compared, and only IGP cost paths with the lowest values are considered for ECMP.



## Native IP forwarding

When next-hop MPLS is disabled, BGP uses the default BGP decision process and native IP forwarding to build BGP EMCP routes.

## Next-hop MPLS

For each unique BGP next hop, when next-hop MPLS is enabled, BGP first determines when an LSP can be used to resolve the route. When BGP can resolve the route, it does not check the native IP routing table.

For each BGP next hop, when the route is resolved by LSP, then all possible LSPs with the same lowest-metric value are selected. After this selection, BGP internally sets this next hop IGP cost to 1 (rather than the true LSP metric) to force it to be the preferred hop over a hop resolved by native IP.

For each BGP next hop, the IGP cost is compared, and the least-value IGP cost for the next hop or hops are used to install them in the routing table.

When the Brocade device installs a BGP route in the RTM, it uses a BGP metric, not the IGP metric (IGP cost.)

## Next-hop MPLS comparing LSP metrics

With the option enabled to compare LSP metrics, after BGP resolves a next hop with LSP, it uses the LSP metric as the IGP cost for that next hop. Thereafter, all of the next hops IGP costs are compared, and only the IGP cost paths with the lowest values are considered for ECMP. When any of these paths is an LSP, then only LSP paths are taken.

The user have the flexibility to choose a native IP path over an LSP path when they have different BGP next-hops, and the native IP path has a lower IGP cost.

---

### NOTE

Enabling or disabling the LSP metric option takes effect immediately: BGP automatically recalculates the existing BGP routes.

---

To configure BGP shortcuts and optionally compare LSP metrics, use the `next-hop-mpls` command in BGP configuration mode, as in the following example.

```
Brocade(config)# router bgp
Brocade(config-bgp)# next-hop-mpls compare-lsp-metric
```

Syntax: `[no] next-hop-mpls [compare-lsp-metric]`

For the `next-hop-mpls` command, when the user employs the `no` form with the optional `compare-lsp-metric` parameter, only this optional parameter is deleted, so the global next-hop MPLS enable remains the same. To disable both the optional LSP-metric compare and the global next-hop MPLS, use the `no` form of the command but without the optional `compare-lsp-metric` parameter.

## Examples of next-hop MPLS

This section illustrates how to configure a BGP shortcut by enabling next-hop MPLS. It also illustrates the optional parameter — the consideration of LSP metrics:

- Enabling next-hop MPLS (LSP metric becomes fixed at 1)
- Enabling compare-LSP-metric (so IGP metric is compared with user-configurable LSP metric)
- Disabling next-hop MPLS

Enable next-hop MPLS using the `next-hop-mpls` command, as the following example illustrates. The follow-up `show` command of the running configuration indicates the global enabling of this feature.

```
Brocade(config-bgp)# next-hop-mpls
Brocade(config-bgp)# show ip bgp config
Current BGP configuration:
router bgp
  local-as 10
  neighbor 10.1.1.2 remote-as 20
  neighbor 10.10.1.2 remote-as 20
  address-family ipv4 unicast
  next-hop-mpls
  exit-address-family
  address-family ipv4 multicast
  exit-address-family
  address-family ipv6 unicast
  exit-address-family
```

Syntax: `[no] next-hop-mpls [compare-lsp-metric]`

Enable the Brocade device to use the `compare LSP metric`. The running configuration reflects the global configuration on one line.

```
Brocade(config-bgp)# next-hop-mpls compare-lsp-metric
Brocade(config-bgp)# show ip bgp config
Current BGP configuration:
router bgp
  local-as 10
  neighbor 10.1.1.2 remote-as 20
  neighbor 10.10.1.2 remote-as 20
  address-family ipv4 unicast
  next-hop-mpls compare-lsp-metric
  exit-address-family
  address-family ipv4 multicast
  exit-address-family
  address-family ipv6 unicast
  exit-address-family
```

Syntax: `[no] next-hop-mpls [compare-lsp-metric]`

This series of examples shows how an IP-only routing table resolution for BGP is affected first by the enabling of next-hop MPLS and then by the enabling of LSP-metric comparison. The tasks for these examples are:

- Specify metrics for three LSPs. The existing LSPs in this example are `to2`, `to22`, and `to2_sec`. As a precondition for this example, their metrics are changed to 10, 20, and 10.
- Enable BGP ECMP, then check the routing table. The destination IP address for this example is `10.8.8.1/32`. The routing table shows that native IP-forwarding is used.

- Enable next-hop MPLS and observe the effect on the route to 10.8.8.1/32.
- Enable LSP-metric comparison and note that, because of the metric for LSP to2, it has no effect on the routing table.
- Change the metric for an LSP (to2 in this example).
- Disable LSP-metric compare and check the consequences.
- Disable global next-hop MPLS

## Specifying metrics

This step specifies metrics for three LSPs.

```

Brocade(config-bgp)# router mpls
Brocade(config-mpls)# lsp to2
Brocade(config-mpls-lsp-to2)# disable
Brocade(config-mpls-lsp-to2)# to 10.1.1.2
Brocade(config-mpls-lsp-to2)# from 10.1.1.1
Brocade(config-mpls-lsp-to2)# metric 10
Brocade(config-mpls-lsp-to2)# enable
Connecting signaled LSP to2
exit
....
Brocade(config-mpls)# lsp to22
Brocade(config-mpls-lsp-to22)# disable
Brocade(config-mpls-lsp-to22)# to 10.1.1.2
Brocade(config-mpls-lsp-to22)# from 10.1.1.1
Brocade(config-mpls-lsp-to22)# metric 20
Brocade(config-mpls-lsp-to22)# enable
Connecting signaled LSP to22
exit
....
Brocade(config-mpls)# lsp to2_sec
Brocade(config-mpls-lsp-to2_sec)# diable
Brocade(config-mpls-lsp-to2_sec)# to 10.10.1.2
Brocade(config-mpls-lsp-to2_sec)# from 10.10.1.1
Brocade(config-mpls-lsp-to2_sec)# metric 10
Brocade(config-mpls-lsp-to2_sec)# enable
Connecting signaled LSP to2_sec
exit
Brocade(config-mpls)# show mpls lsp

```

Name	To	Admin State	Oper State	Tunnel Intf	Up/Dn Times	Retry No.	Active Path
to2	10.1.1.2	UP	UP	tn10	1	0	--
to2_sec	10.10.1.2	UP	UP	tn12	1	0	--
to22	10.1.1.2	UP	UP	tn11	1	0	--

Syntax: [no] metric *num*

## Enable BGP ECMP

This example shows BGP ECMP being enabled and the check of the Routing Table Manager (RTM) by the show ip route command. The destination for this example is 10.8.8.8/32, and native IP forwarding is in effect.

```

Brocade(config-mpls)# router bgp
Brocade(config-bgp)# maximum 5
Brocade(config-bgp)# show ip route
Total number of IP routes: 5
Type Codes - B:BGP D:Connected I:ISIS O:OSPF R:RIP S:Static; Cost - Dist/Metric
ISIS Codes - L1:Level-1 L2:Level-2
OSPF Codes - i:Inter Area 1:External Type 1 2:External Type 2 s:Sham Link

```

	Destination	Gateway	Port	Cost	Type	Uptime
1	10.1.1.1/32	DIRECT	loopback 1	0/0	D	9m46s
2	10.2.3.3/32	DIRECT	loopback 2	0/0	D	9m46s
3	10.5.5.5/32	10.1.1.10	eth 1/1	1/1	S	9m35s
<b>4</b>	<b>10.8.8.1/32</b>	<b>10.1.1.2</b>	<b>eth 1/1</b>	<b>20/0</b>	<b>B</b>	<b>0m1s</b>
	<b>10.8.8.1/32</b>	<b>10.10.1.2</b>	<b>eth 1/2</b>	<b>20/0</b>	<b>B</b>	<b>0m1s</b>
5	10.8.8.2/32	10.1.1.2	eth 1/1	20/0	B	0m1s
	10.8.8.2/32	10.10.1.2	eth 1/2	20/0	B	0m1s

## Enable next-hop MPLS

In this example, the next-hop MPLS is enabled, and the show ip route command is used to check the RTM.

```

Brocade(config-bgp)# next-hop-mpls
Brocade(config-bgp)# show ip route
Total number of IP routes: 4
Type Codes - B:BGP D:Connected I:ISIS O:OSPF R:RIP S:Static; Cost - Dist/Metric
ISIS Codes - L1:Level-1 L2:Level-2
OSPF Codes - i:Inter Area 1:External Type 1 2:External Type 2 s:Sham Link

```

	Destination	Gateway	Port	Cost	Type	Uptime
1	10.1.1.1/32	DIRECT	loopback 1	0/0	D	10m4s
2	10.2.3.3/32	DIRECT	loopback 2	0/0	D	10m4s
3	10.5.5.5/32	10.1.1.10	eth 1/1	1/1	S	9m53s
<b>4</b>	<b>10.8.8.1/32</b>	<b>10.1.1.2</b>	<b>lsp to2</b>	<b>20/0</b>	<b>B</b>	<b>0m1s</b>
	<b>10.8.8.1/32</b>	<b>10.10.1.2</b>	<b>lsp to2_sec</b>	<b>20/0</b>	<b>B</b>	<b>0m1</b>
5	10.8.8.2/32	10.1.1.2	lsp to2	20/0	B	0m1s
	10.8.8.2/32	10.10.1.2	lsp to2_sec	20/0	B	0m1s

Syntax: [no] next-hop-mpls [compare-lsp-metric]

## Enable LSP-metric comparison

For this example, LSP-metric comparison is enabled and the consequences are checked in the RTM. In this case, LSPs to2 and to2\_sec already provide the best route, so this display does not differ from the example in which next-hop MPLS is enabled. Note that to22 is not displayed because its metric is 20, but the metric of to2 (to the same destination) is only 10 and so represents the chosen LSP.

```

Brocade(config-bgp)# next-hop-mpls compare-lsp-metric
Brocade(config-bgp)# show ip route
Total number of IP routes: 5
Type Codes - B:BGP D:Connected I:ISIS O:OSPF R:RIP S:Static; Cost - Dist/Metric
ISIS Codes - L1:Level-1 L2:Level-2
OSPF Codes - i:Inter Area 1:External Type 1 2:External Type 2 s:Sham Link

```

	Destination	Gateway	Port	Cost	Type	Uptime
1	10.1.1.1/32	DIRECT	loopback 1	0/0	D	11m30s
2	10.2.3.3/32	DIRECT	loopback 2	0/0	D	11m30s
3	10.5.5.5/32	10.1.1.10	eth 1/1	1/1	S	11m19s
4	<b>10.8.8.1/32</b>	<b>10.1.1.2</b>	<b>lsp to2</b>	<b>20/0</b>	<b>B</b>	<b>0m1s</b>
	<b>10.8.8.1/32</b>	<b>10.10.1.2</b>	<b>lsp to2_sec</b>	<b>20/0</b>	<b>B</b>	<b>0m1s</b>
5	10.8.8.2/32	10.1.1.2	lsp to2	20/0	B	0m1s
	10.8.8.2/32	10.10.1.2	lsp to2_sec	20/0	B	0m1s

Syntax: [no] next-hop-mpls [compare-lsp-metric]

## Changing the metric for an LSP

In the next example, the metric for LSP to2 is changed to a value (20) that causes the system to remove it from the routing table, so only LSP to2\_sec to 10.8.8.1/32 remains. This output illustrates this result.

```

Brocade(config-mpls)# lsp to2
Brocade(config-mpls-lsp-to2)# disconnect
Disconnecting signaled LSP
Brocade(config-mpls-lsp-to2)# metric 20
Brocade(config-mpls-lsp-to2)# enable
Connecting signaled LSP to2
Brocade(config-mpls)# show ip route
Total number of IP routes: 5
Type Codes - B:BGP D:Connected I:ISIS O:OSPF R:RIP S:Static; Cost - Dist/Metric
ISIS Codes - L1:Level-1 L2:Level-2
OSPF Codes - i:Inter Area 1:External Type 1 2:External Type 2 s:Sham Link

```

	Destination	Gateway	Port	Cost	Type	Uptime
1	10.1.1.1/32	DIRECT	loopback 1	0/0	D	12m23s
2	10.2.3.3/32	DIRECT	loopback 2	0/0	D	12m23s
3	10.5.5.5/32	10.1.1.10	eth 1/1	1/1	S	12m12s
4	<b>10.8.8.1/32</b>	<b>10.10.1.2</b>	<b>lsp to2_sec</b>	<b>20/0</b>	<b>B</b>	<b>0m6s</b>
5	10.8.8.2/32	10.10.1.2	lsp to2_sec	20/0	B	0m6s

## Disabling LSP-metric compare and checking the consequences

For the last example related to next-hop MPLS, disable LSP-metric compare using the no form of the next-hop-mpls command and include the compare-lsp-metric option.

---

### NOTE

When the user employs the no form with the optional compare-lsp-metric parameter for the next-hop-mpls command, only this optional parameter is deleted, so global next-hop-mpls enable remains the same. To disable both the optional LSP-metric compare and the global next-hop-mpls, use the [no] form of the next-hop-mpls command without the optional parameter.

---

Because global next-hop MPLS remains enabled and the LSP metrics are no longer a factor, all the LSPs are displayed in the routing table because BGP considers them to have equal cost.

```

Brocade(config-bgp)# no next-hop-mpls compare-lsp-metric
Brocade(config-bgp)# show ip route
Total number of IP routes: 5
Type Codes - B:BGP D:Connected I:ISIS O:OSPF R:RIP S:Static; Cost - Dist/Metric
ISIS Codes - L1:Level-1 L2:Level-2
OSPF Codes - i:Inter Area 1:External Type 1 2:External Type 2 s:Sham Link

```

	Destination	Gateway	Port	Cost	Type	Uptime
1	10.1.1.1/32	DIRECT	loopback 1	0/0	D	12m58s
2	10.2.3.3/32	DIRECT	loopback 2	0/0	D	12m58s
3	10.5.5.5/32	10.1.1.10	eth 1/1	1/1	S	12m47s
4	10.8.8.1/32	10.1.1.2	<b>lsp to2</b>	<b>20/0</b>	<b>B</b>	<b>0m1s</b>
	10.8.8.1/32	10.1.1.2	<b>lsp to22</b>	<b>20/0</b>	<b>B</b>	<b>0m1s</b>
	10.8.8.1/32	10.10.1.2	<b>lsp to2_sec</b>	<b>20/0</b>	<b>B</b>	<b>0m1s</b>
5	10.8.8.2/32	10.1.1.2	lsp to2	20/0	B	0m1s
	10.8.8.2/32	10.1.1.2	lsp to22	20/0	B	0m1s
	10.8.8.2/32	10.10.1.2	lsp to2_sec	20/0	B	0m1s

Syntax: [no] next-hop-mpls [compare-lsp-metric]

### Disabling global next-hop MPLS

Disable global next-hop MPLS and check the RTM to see that native IP-forwarding is restored.

```

Brocade(config-bgp)# no next-hop-mpls
Brocade(config-bgp)# show ip route
Total number of IP routes: 5
Type Codes - B:BGP D:Connected I:ISIS O:OSPF R:RIP S:Static; Cost - Dist/Metric
ISIS Codes - L1:Level-1 L2:Level-2
OSPF Codes - i:Inter Area 1:External Type 1 2:External Type 2 s:Sham Link

```

	Destination	Gateway	Port	Cost	Type	Uptime
1	10.1.1.1/32	DIRECT	loopback 1	0/0	D	9m46s
2	10.2.3.3/32	DIRECT	loopback 2	0/0	D	9m46s
3	10.5.5.5/32	10.1.1.10	eth 1/1	1/1	S	9m35s
4	10.8.8.1/32	10.1.1.2	<b>eth 1/1</b>	<b>20/0</b>	<b>B</b>	<b>0m1s</b>
	10.8.8.1/32	10.10.1.2	<b>eth 1/2</b>	<b>20/0</b>	<b>B</b>	<b>0m1s</b>
5	10.8.8.2/32	10.1.1.2	eth 1/1	20/0	B	0m1s
	10.8.8.2/32	10.10.1.2	eth 1/2	20/0	B	0m1s

Syntax: [no] next-hop-mpls [compare-lsp-metric]

## LDP route injection

An MPLS edge router is typically connected to a customer network that is not configured for MPLS. When the edge router is then connected to the MPLS core through LSP tunnels that have been created by LDP, only routes to the loopback address of the edge router are available for routing through the LSP tunnels. In practice, this means that routes to and from the customer network are unavailable to the MPLS network.

The LDP route injection feature allows the user to make routes available from the customer network through LSPs that have been created by LDP. The user can filter routes that the user wants to allow through the MPLS network using an ACL, and then apply that ACL to the advertise-labels for command. The routes injected are then accessible over the MPLS network.

To direct the device to inject non-loopback routes into LDP while restricting the routes injected through reference to an ACL, enter the following command.

```
Brocade(config)# router mpls
Brocade(config-mpls)# ldp
Brocade(config-mpls-ldp)# advertise-labels for 30
```

Syntax: advertise-labels for *access-list*

The *access-list* variable refers to the number of the access list that filters for the routes the user wants to use for label binding.

## Considerations when using LDP route injection

1. The user can directly change the LDP route injection filter without deleting a previously configured one. The change automatically applies and triggers LDP route re-injections.
2. Any change to a referenced ACL automatically applies to LDP route injection filtering and triggers LDP route re-injection.
3. When no LDP route injection filter is configured, by default LDP acquires all local loopback addresses.
4. When the ACL referenced by the LDP route injection filter is not configured, it is an implicit deny. All local routes are denied.
5. Both number-based and name-based ACLs can be used. Because only prefix-based filtering is applied, use of a standard ACL is preferred.
6. The LDP route injection filter is only applied on local route injection. Learned remote binding is not filtered.

## LDP route injection example

This example describes how to use LDP route injection to inject routes 10.2.2.2/32 and 10.5.5.2/32 into the LDP label information database.

1. The show ip interface command displays IP addresses of loopback interfaces in Router 1.

```
Brocade# show ip interface
Interface      IP-Address      OK?  Method  Status  Protocol  VRF
eth 1/1        10.0.0.1        YES  NVRAM   up      up        default
eth 1/2        10.0.1.1        YES  NVRAM   up      up        default
loopback 3     10.3.3.3        YES  NVRAM   up      up        default
loopback 5     10.5.5.5        YES  manual  up      up        default
```

2. By default, the LDP label information database only contains labels learned for IP addresses of loopback interfaces, as demonstrated in this example, where only prefixes 10.3.3.3/32 and 10.5.5.5/32 are displayed by the show mpls ldp database command.

## 5 LDP route injection

```
Brocade# show mpls ldp database
Session 10.3.3.3:0 - 10.5.5.2:0
Downstream label database:
  Label      Prefix          State
  1024      10.3.3.3/32    Retained
Upstream label database:
  Label      Prefix
  3          10.3.3.3/32
  3          10.5.5.5/32
```

3. The show ip route command displays routes available to ports on Router 1.

```
Brocade# show ip route
Total number of IP routes: 9
Type Codes - B:BGP D:Connected S:Static R:RIP O:OSPF; Cost - Dist/Metric
  Destination          Gateway          Port          Cost      Type
1  10.2.2.2/32          10.0.0.2        eth 1/1        1/1      S
2  10.3.3.3/32          DIRECT          loopback 3     0/0      D
3  10.5.5.0/24          10.0.0.2        eth 1/1        1/1      S
4  10.5.5.1/32          10.0.0.2        eth 1/1        1/1      S
5  10.5.5.2/32          10.0.0.2        eth 1/1       110/2    O
6  10.5.5.5/32          DIRECT          loopback 5     0/0      D
7  10.5.6.2/32          10.0.0.2        eth 1/1        1/1      S
8  10.0.0.0/24          DIRECT          eth 1/1        0/0      D
9  10.10.0.0/24         DIRECT          eth 1/2        0/0      D
```

4. In this example, a filter is configured to inject route 10.2.2.2/32.

```
Brocade(config)# access-list 30 permit 10.2.2.2/32
Brocade(config)# router mpls
Brocade(config-mpls)# ldp
Brocade(config-mpls-ldp)# advertise for 30
```

5. As shown, the 10.2.2.2/32 has been injected into the LDP Label information database.

```
Brocade# show mpls ldp database
Session 10.3.3.3:0 - 10.5.5.2:0
Downstream label database:
  Label      Prefix          State
Upstream label database:
  Label      Prefix
  3          10.2.2.2/32
```

6. In this example a second filter is configured to inject route 10.5.5.2/32.

```
Brocade(config)# access-list 30 permit 10.5.5.2/32
```

7. As shown, route 10.5.5.2/32 has been injected into the LDP label information database.



```

Brocade(config)# show mpls ldp database
Session 10.3.3.3:0 - 10.5.5.2:0
Downstream label database:
  Label      Prefix          State
Upstream label database:
  Label      Prefix
  3          10.2.2.2/32
  3          10.5.5.2/32

```

## Displaying routes through LSP tunnels

Once a network has been enabled to allow routes through LSP tunnels, the routes appear in the IP routing table. In the following example, the show ip route command displays a table that contains routes through LSP tunnels. In this example, routes 7 - 8 and 10 - 14 are LDP tunnels.

```

Brocade# show ip route
Total number of IP routes: 1027
Type Codes - B:BGP  D:Connected  S:Static  R:RIP  O:OSPF;  Cost -
Dist/Metric

```

	Destination	Gateway	Port	Cost	Type
1	10.1.1.1/32	DIRECT	loopback 1	0/0	D
2	10.1.2.1/32	DIRECT	loopback 2	0/0	D
3	10.1.3.1/32	DIRECT	loopback 3	0/0	D
4	10.2.2.2/32	10.0.0.2	eth 1/1	110/10	O
5	10.3.3.3/32	10.0.0.2	eth 1/1	110/12	O
	10.3.3.3/32	10.8.0.2	eth 1/4	110/12	O
6	10.4.4.4/32	10.8.0.2	eth 1/4	110/10	O
7	10.5.1.5/32	10.5.5.5	lsp(LDP)	200/0	B
8	10.5.3.5/32	10.5.5.5	lsp(LDP)	200/0	B
9	10.5.5.5/32	10.0.0.2	eth 1/1	110/13	O
	10.5.5.5/32	10.8.0.2	eth 1/4	110/13	O
10	10.6.1.6/32	10.6.6.6	lsp(LDP)	200/0	B
11	10.6.2.6/32	10.6.6.6	lsp(LDP)	200/0	B
12	10.6.3.6/32	10.6.6.6	lsp(LDP)	200/0	B
13	10.6.4.6/32	10.6.6.6	lsp(LDP)	200/0	B
14	10.6.5.6/32	10.6.6.6	lsp(LDP)	200/0	B
15	10.6.6.6/32	10.0.0.2	eth 1/1	110/14	O
	10.6.6.6/32	10.8.0.2	eth 1/4	110/14	O

## Using traffic-engineered LSPs within an AS

In addition to traffic destined to travel outside an AS, Brocade devices can forward internal AS traffic into LSP tunnels. This feature allows the user to configure a signaled LSP to serve as a shortcut between nodes in an AS. In a shortcut LSP, OSPF includes the LSP in the SPF calculation. When OSPF determines that the LSP shortcut is the best path to a destination, it installs a route into the IP routing table, specifying the LSP tunnel interface as the outbound interface, as well as the cost of the LSP. Only LSPs configured to router IDs can be considered as shortcuts. When the LSP goes down or is administratively disabled, the LSP tunnel route is removed from the main routing table.

The cost of the LSP is the user-configured metric for the LSP. When there is no user-configured metric, the underlying IP cost of the LSP is used. For example, when the IP cost of the best underlying path between two routers is 2, and there is an LSP configured between these two routers, the cost of the LSP is 2. Once an LSP is used as a next hop for a destination, the cost of the LSP can be used to calculate other destinations that can use the LSP egress node as next hop. This allows traffic for addresses downstream from the LSP egress node (including prefixes of the egress node) to use the LSP shortcut.

When OSPF is already using an LSP tunnel route to an Area Border Router (ABR), all inter-area routes through that ABR use the LSP as the next hop, provided there are no other better paths to the destination (paths through other ABRs). An LSP to a destination outside an area is not used by OSPF in the calculation of inter-area routes.

Only signaled LSPs can be used as OSPF shortcuts. RSVP packets, used to establish and maintain signaled LSPs, are never forwarded into LSP tunnels.

Refer to [“Creating OSPF shortcuts over an LSP tunnel”](#) on page 594 for more information.

### IS-IS shortcuts over an LSP tunnel

Refer to [“IS-IS shortcuts”](#) on page 597 for details about creating IS-IS shortcuts over an LSP tunnel.

### Creating OSPF shortcuts over an LSP tunnel

This feature allows the user to forward traffic to destinations within an OSPF routing domain through an LSP tunnel, which optimizes available bandwidth by choosing LSPs where multiple paths exist to the same OSPF destination. When an LSP is configured as an OSPF shortcut, OSPF includes the LSP in the SPF calculation. When OSPF determines that the LSP shortcut is the best path to a destination, it adds a route to the IP routing table, specifying the LSP tunnel interface as the outbound interface, along with the cost of the LSP. Only LSPs configured to router ID are considered as shortcuts. When the LSP goes down or is administratively disabled, or the shortcuts ospf command is removed from the configuration, the LSP tunnel route is removed from the main routing table.

LSPs used for this feature must originate and terminate within the same OSPF area. When configured, OSPF directs routes that are reachable from the egress router of a shortcut-enabled LSP to an LSP tunnel as the outgoing interface.

To configure this feature, point the LSP to the router ID of the egress router where traffic is forwarded. The user must also configure the LSP with the shortcuts ospf command.

The following configuration of LSP “tunnel1” specifies the egress router with a router ID of 10.2.2.2 and enables it for OSPF shortcuts.

```
Brocade(config)# router mpls
Brocade(config-mpls)# lsp tunnel1
Brocade(config-mpls-lsp)# to 10.2.2.2
Brocade(config-mpls-lsp)# shortcuts ospf
Brocade(config-mpls-lsp)# enable
```

Syntax: [no] shortcuts ospf

This feature points OSPF routes to routes from the configured egress router of the LSP tunnel. By way of the LSP interface, the ingress router points to routes on the egress router (including downstream external or summary routes). To view these routes, enter the show ip route command as shown in the following example.

```
Brocade# show ip route
Total number of IP routes: 5
Type Codes - B:BGP D: Connected I:ISIS S: Static R:RIP O: OSPF;Cost - Dist/Metric
      Destination      Gateway      Port      Cost      Type
1      10.2.2.0/24      10.2.2.2      lsp tunn1  110/10     O2
2      10.5.5.0/24      10.1.1.2      eth 1/1    110/2      O
3      10.15.15.15/32    10.3.3.3      lsp 11     110/10     O2
4      10.0.0.0/8         10.1.1.2      eth 1/1    110/10     O2
5      192.85.1.0/24     10.1.1.2      eth 1/1    110/2      O
```

In this example, Type "O2" routes are OSPF routes from outside the OSPF area.

The user can set the next hop for a static route to the egress router of an LSP tunnel when the destination route is contained in the MPLS routing table.

## BGP MPLS metric follow IGP

This feature is to enable BGP to rely purely on IGP metric to the BGP next hop to determine the best path for IP over MPLS and Layer-3 VPN cases.

In Brocade device BGP implementation, MPLS metric value is always used as IGP cost when resolving BGP routes with MPLS tunnel. This feature is to have a way to use the IGP metric to the BGP next hop to be used as IGP cost.

When using this feature, the MPLS metric cost is completely ignored in the BGP decision process. So user must be aware and ensure that their IGP costs are consistent across their network and that they indeed want to rely only on the IGP cost to determine where to send the traffic. This works the best when the MPLS LSP metrics follow the IGP cost, thus they have the full advantage of both routing protocols and MPLS to select the best path.

The advantage of doing this is that the BGP decision process on IGP cost is purely based on the IGP cost to different next hop. MPLS tunnel is treated as a "relay" service. Once BGP determined which IGP is a better way to go, the system checks when there is a MPLS tunnel for that path. This design has the advantage in customer network where the IGP cost is significant throughout their local domain and all routing protocols, and they want to use that as a tie-breaker rather than use MPLS specific metric value.

A few things need to be clarified here:

1. This feature does NOT override MPLS LSP metric value. MPLS internal metric value is the same.
2. When this feature is turned on, BGP ignores all MPLS LSP metrics, whether it is a default LSP metric value or a configured specific value. This is applicable to IPv4, IPv6 and Layer-3 VPN BGP next hop resolutions.
3. This document details this feature for BGP. Static route miss some feature (compare-lsp-metric), so this feature is not added to the static route for now.

The RFE 3053 is mainly for BGP to set MED value as IGP cost and advertise out. This feature has the foundation for this for BGP routes resolving next hop to MPLS LSP tunnel. Then, a route-map is required to set BGP MED value to IGP metric by set metric-type internal.

### Feature information

- The two options `compare-lsp-metric` and `follow-igp` are mutually exclusive. Because one option uses MPLS metric value, the other uses IGP metric.
- This command takes effect immediately and automatically. No `clear BGP session` or `clear routes` command is required.
- `show ip bgp nexthop` command displays the current BGP next hop IGP cost. When that is using MPLS LSP as outgoing interface, the value reflects MPLS LSP metric when using `compare-lsp-metric` and IGP metric when using `follow-igp`.
- Combined with another BGP command `install-igp-cost` under router `bgp`, user can observe that IGP cost installed with BGP routes in RTM.
- Combined with BGP outbound policy for `set metric-type internal`, we can now set Layer-3 VPN and IP over MPLS routes using IGP metric to send out as MED.

### Limitation

- When the user is running IGP throughout the network, and the IGP metric is trustable in the entire domain, the user may want to rely on this IGP metric to make a best path and forwarding decision, regardless of whether the forwarding happens in native IP or MPLS encapsulation.
- The current implementation on MPLS metric is manually configured in each LSP. There is no dynamic way to tie MPLS metric with IGP metric. Thus, when using MPLS LSP as BGP route outgoing interface, the user loses the ability to tie the forwarding decision with unified IGP metric.

### Configuring BGP next-hop IGP cost

When this command is issued, BGP decides purely based on IGP cost to BGP next hop. After the decision is made, BGP checks when an MPLS LSP is present, and totally ignores the LSP metric.

```
compare-lsp-metric Compare metric value among LSP ECMP paths
follow-igp Use IGP metric and ignore LSP metric
```

Syntax: `[no] next-hop-mpls follow-igp`

This command becomes mutually exclusive with `next-hop-mpls compare-lsp-metric` command, since it is designed by having BGP to ignore all LSP metric value, whether it is specified or by default. The reason is simple, when this is configured, LSP metric is totally ignored; and when `compare-lsp-metric` is configured, the LSP metric can't be ignored.

Also, this new CLI command takes effect immediately and automatically. There is no `clear` command required, and BGP automatically re-scans its next hop and changes the decision process outcome accordingly.

## Displaying show command

These commands display the configuration.

```
Brocade(config)# show running config
Brocade(config)# show ip bgp config
```

To check BGP next hop resolution and the IGP cost for the next hop, use this show command.

```
Brocade(config)# show ip bgp next-hop
```

This command checks the RTM entry cost value to determine whether BGP next hop resolution takes the IGP cost value, compare to MPLS LSP metric value.

```
Brocade(config)# show ip route
```

## IS-IS shortcuts

This section describes IS-IS shortcuts and how to configure them on an MPLS router with traffic engineering (TE) capabilities.

### Overview

The IS-IS Shortcuts feature enables an MPLS TE path (LSP tunnel) to serve as a shortcut through the network to a destination based on the cost of the path (metric). Traffic is forwarded through the LSP tunnel to destinations within the IS-IS routing domain. This feature helps optimize available bandwidth by choosing paths using LSPs where multiple paths exist to the same destination.

When IS-IS shortcuts are enabled on an LSP tunnel, IS-IS includes the LSP in the SPF calculation. When IS-IS determines that the LSP shortcut is the best path to a destination, it adds the route to the IP routing table, specifying the LSP tunnel interface as the outbound interface, including the cost of the LSP. Only LSPs configured to a router ID are considered as shortcuts. When the LSP goes down or is administratively disabled, or when the shortcuts isis command is removed from the configuration, the IS-IS LSP tunnel routes are removed from the main routing table.

### Determining the cost of an IS-IS shortcut

IS-IS uses the following information to determine the cost of an IS-IS shortcut:

- The *announce metric*, when announce is enabled
- When announce is not enabled and “ignore-lsp-metric” is not configured, IS-IS uses the LSP metric configured under the LSP configuration mode, for example:

```
Brocade(config-mpls-lsp)# metric value
```

- When no LSP metric is configured, IS-IS uses the native IGP cost, plus or minus the *relative metric*
- When there is no relative metric, IS-IS uses the native IGP cost

The announce metric and relative metric are described in detail in the following sections. Use the `show isis shortcuts` command to display the metric used to determine the cost.

### The announce metric

When IS-IS shortcuts are enabled on an LSP tunnel, the MPLS router does not announce (advertise) the IS-IS shortcuts unless specifically configured to do so. When announce is enabled, the user can optionally specify an announce metric, which is used to compute the LSP cost of the IS-IS shortcut. When an announce metric is not explicitly configured, IS-IS uses a default metric value of 10.

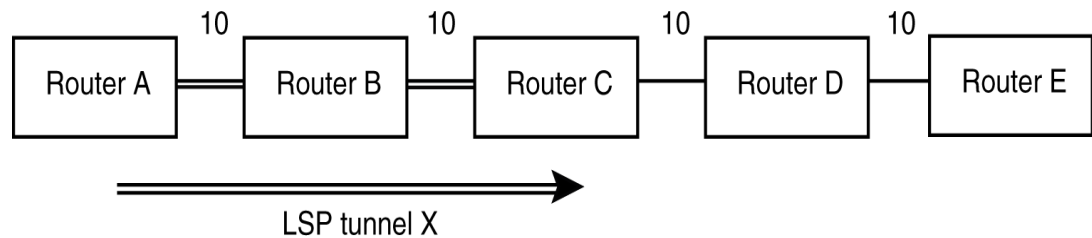
To configure an announce metric for IS-IS shortcuts, refer to [“Configuring the announce metric”](#) on page 601.

### The relative metric

When announce is not enabled and an LSP metric is not explicitly configured under the LSP configuration mode of the CLI, the *relative metric* is used to compute the LSP cost, which is the native IGP cost, plus or minus the relative metric.

The relative metric is optionally specified when IS-IS shortcuts are enabled, and is used to make an LSP tunnel less or more preferred over other paths. The default relative metric value is zero (0), but can be configured to be a positive or negative number. A positive number disables an LSP tunnel from participating in the SPF calculation. A negative number ensures that the LSP tunnel is preferred over native IGP paths in the SPF calculation. [Figure 68](#) shows an example of this configuration.

**FIGURE 68** SPF calculation adjustment using the relative metric



In this example, when there are no IS-IS shortcuts, Router A adds routes in the routing table for routers C, D, and E with the metrics 20, 30, and 40, respectively. When an IS-IS shortcut is configured on LSP tunnel X and the relative metric is  $-5$  (minus 5), Router A installs the same routes in the routing table with the metrics 15, 25, and 35, respectively, over the LSP tunnel X.

To configure the device to use a relative metric value other than 0, refer to [“Configuring the relative metric”](#) on page 601.

### Why LSP tunnels may be excluded from the SPF calculation

LSP tunnels may be excluded in SPF calculations in the following cases:

- The system did not find mapping between the LSP tunnel destination (the To address) and the IS-IS system ID.
- There is no IS-IS native route to the LSP tunnel destination.

- The IS-IS native route has a better metric than the LSP tunnel.
- Another shortcut has a better metric than the LSP tunnel.

## Configuration notes

Consider the following configuration notes:

- IS-IS shortcuts require MPLS and IS-IS Traffic Engineering (TE) to be enabled.
- IS-IS does not use an LSP tunnel as a shortcut when the To address of the tunnel is not the router ID of the destination router.
- Where multiple IS-IS shortcuts have the same cost, IS-IS installs LSP tunnel-based ECMP routes.

## Configuration tasks

It is recommended that the user performs the configuration tasks in the order listed in [Table 102](#).

**TABLE 102** Configuration tasks for IS-IS shortcuts

Configuration task	Default behavior	See...
1 Enable IS-IS shortcuts	Disabled	<a href="#">“Enabling and disabling IS-IS shortcuts”</a>
2 Optionally enable announce on the LSP	Disabled	<a href="#">“Enabling IS-IS shortcut advertisements”</a>
3 When announce is enabled, optionally configure the announce metric	When announce is enabled, the system uses either the default metric value of 10, or the explicitly-configured announce metric value.	<a href="#">“Configuring the announce metric”</a>
4 Optionally configure the relative metric	The default value is zero (0).	<a href="#">“Configuring the relative metric”</a>

After performing the configuration steps listed in [Table 102](#), the user can observe the IS-IS routes that use IGP shortcuts. For more information, refer to [“Show command support”](#) on page 606.

### Enabling and disabling IS-IS shortcuts

To enable IS-IS shortcuts on an LSP tunnel, enter commands such as the following, starting at the MPLS level of the CLI.

```
Brocade(config-mpls)# lsp tomu3
Brocade(config-mpls-lsp-tomu3)# shortcuts isis level2
Brocade(config-mpls-lsp-tomu3)# enable
Connecting signaled LSP tomu3
```

These commands enable IS-IS shortcuts on the tomu3 LSP tunnel.

Syntax: [no] shortcuts isis level1 | level 2

Enter the [no] form of the command to disable IS-IS shortcuts.

The level1 or level2 keyword is required and indicates the level of IS-IS routing enabled on the device. The levels are:

- level1 – A level1 router routes traffic only within the area that includes the router. To forward traffic to another area, a level1 router sends the traffic to the nearest level2 router.
- level2 – A level2 router routes traffic between areas within a domain.

#### NOTE

The IS-IS traffic engineering level must match the shortcut level configuration.

### Enabling IS-IS shortcut advertisements

When announce is enabled, the tunnel information is advertised in an IS neighbor TLV, which is stored in the IS-IS database.



To enable announce, enter the following command on an LSP that is not yet enabled.

```
Brocade(config-mpls-lsp-tomu3)# shortcuts isis level2 announce
```

When the tunnel is enabled, disable it before enabling announce, then re-enable the tunnel. For example.

```
Brocade(config-mpls-lsp-tomu3)# disable
Disconnecting signaled LSP tomu3
Brocade(config-mpls-lsp-tomu3)# shortcuts isis level2 announce
Brocade(config-mpls-lsp-tomu3)# enable
Connecting signaled LSP tomu3
```

These commands enable the system to advertise IS-IS shortcuts. Since an announce metric is not explicitly specified in this example, IS-IS uses the default announce metric of 10. To configure an announce metric other than 10, refer to [“Configuring the announce metric”](#).

Syntax: [no] shortcuts isis level1 | level2 announce

Enter the [no] form of the command to disable advertisement of IS-IS shortcuts. IS-IS shortcuts are still enabled, but are no longer advertised in the IS-IS database.

## Configuring the announce metric

The announce metric is described in [“The announce metric”](#) on page 598.

To configure an announce metric, enter a command such as the following at the MPLS LSP level of the CLI.

```
Brocade(config-mpls-lsp-tomu3)# shortcuts isis level2 announce announce-metric 20
```

Syntax: [no] shortcuts isis level1 | level2 announce announce-metric *num*

Enter the [no] form of the command to return to the default announce metric value of 10. IS-IS shortcuts are still enabled, however the [no] form of the command simply reverts to the default announce metric.

For *num*, enter a value from 1 – 16777215. The default is 10.

The announce metric is displayed in the output of the show isis shortcuts command. When the LSP tunnel is not announced, a - (dash) is displayed in the announce metric field.

## Configuring the relative metric

The relative metric is described in [“The relative metric”](#) on page 598.

When announce is not enabled and a metric is not explicitly configured under the LSP configuration mode of the CLI, the *relative metric* is used to compute the shortcut cost.

To configure the relative metric, enter a command such as the following at the MPLS LSP level of the CLI.

```
Brocade(config-mpls-lsp-tomu3)# shortcuts isis level2 relative-metric -5
```

This command sets the relative metric value to -5. The LSP cost is determined by subtracting 5 from the native IGP cost to reach the tunnel destination. Using this example, when the native IGP cost is 10, the relative metric value -5 sets the LSP cost to 5.

---

#### NOTE

The shortcut cost is never a value less than 1. For example, when the native IGP cost is 10 and the relative metric is -15, the shortcut cost is 1, not -5.

---

Syntax: [no] shortcuts isis level1 | level2 relative-metric + | - *num*

Enter the [no] form of the command to return to the default native IGP path metric. IS-IS shortcuts are still enabled. The [no] form of the command simply removes the relative-metric value from the configuration.

The + or - sign is required. + denotes a positive number. - denotes a negative number.

For *num*, enter a value from 1 - 16777215. The default is zero (0).

The metric used in the SPF calculation is displayed in the output of the show isis shortcuts command. When the LSP tunnel is not used in the SPF calculation, a - (dash) is displayed in the SPF metric field.

## Example configurations

This section includes example configurations and relevant show command outputs both before and after IS-IS shortcuts are enabled.

The following display shows an IS-IS route configuration *before* IS-IS shortcuts are installed.

```
Brocade(config-mpls-lsp-tomu3)# show ip route isis
Type Codes - B:BGP D:Connected I:ISIS O:OSPF R:RIP S:Static; Cost - Dist/Metric
ISIS Codes - L1:Level-1 L2:Level-2
OSPF Codes - i:Inter Area l:External Type 1 2:External Type 2 s:Sham Link
          Destination          Gateway          Port          Cost          Type Uptime
1          0.0.0.0/0            10.1.1.2        eth 1/1       115/21        IL2  0m23s
2          10.2.1.0/24           10.1.1.2        eth 1/1       115/20        IL2  0m23s
3          10.3.1.0/24           10.1.1.2        eth 1/1       115/10        IL2  0m23s
4          10.4.1.1/32           10.1.1.2        eth 1/1       115/10        IL2  0m23s
5          10.2.2.2/32           10.1.1.2        eth 1/1       115/10        IL2  0m23s
6          10.1.0.0/16           DIRECT          drop          115/10        IL1  3m37s
7          10.2.1.1/32           10.1.1.2        eth 1/1       115/20        IL2  0m23s
```

The following example shows IS-IS shortcut configuration.

```
Brocade(config-mpls)# lsp tomu3
Brocade(config-mpls-lsp-tomu3)# metric 1
Brocade(config-mpls-lsp-tomu3)# shortcuts isis level2
Brocade(config-mpls-lsp-tomu3)# enable
Connecting signaled LSP tomu3
```

The following display shows the IS-IS route configuration *after* the shortcut configuration is applied. The bold text indicates that the routes are now using shortcuts. Compare this output with the output generated before the shortcut configuration was applied.

```

mul(config-mpls)# show ip route isis
Type Codes - B:BGP D:Connected I:ISIS O:OSPF R:RIP S:Static; Cost - Dist/Metric
ISIS Codes - L1:Level-1 L2:Level-2
OSPF Codes - i:Inter Area 1:External Type 1 2:External Type 2 s:Sham Link
          Destination          Gateway          Port          Cost          Link Type Uptime
1         0.0.0.0/0            10.1.1.1        lsp tomu3    115/2        IL2  0m2s
2         10.2.1.0/24          10.1.1.1        lsp tomu3    115/11       IL2  0m2s
3         10.3.1.0/24          10.1.1.1        lsp tomu3    115/1        IL2  0m2s
4         10.4.1.1/32          10.1.1.1        lsp tomu3    115/1        IL2  0m2s
5         10.2.2.2/32          10.1.1.1        lsp tomu3    115/1        IL2  0m2s
6         10.1.0.0/16          DIRECT          drop          115/10        IL1  3m54s
7         10.2.1.1/32          10.1.1.1        lsp tomu3    115/1        IL2  0m2s

```

The following example shows an IS-IS shortcut configuration with route advertisements enabled.

```

Brocade(config-mpls)# lsp tomu3
Brocade(config-mpls-lsp-tomu3)# disable
Disconnecting signaled LSP tomu3
Brocade(config-mpls-lsp-tomu3)# shortcuts isis level2 announce
Brocade(config-mpls-lsp-tomu3)# enable
Connecting signaled LSP tomu3

```

In the output for this configuration, the bold text indicates that the device uses the extended TLV fields to advertise the shortcut in an IS adjacency TLV. when route advertisements are not enabled, this text would not appear in the output.

```

Brocade(config-mpls)# show isis database mul.00-00 detail
IS-IS Level-2 Link State Database
LSPID                               Seq Num      Checksum     Holdtime    ATT/P/OL
mul.00-00*                           0x00000010   0xd938      35          1/0/0
  Area Address: 47
  NLPID: IPv6 IP
  Hostname: mul
  TE Router ID: 10.1.1.1
  Metric: 10      IP-Extended 10.1.1.0/24      Up: 0 Subtlv: 0
  Metric: 10      IP-Extended 10.2.1.0/24      Up: 0 Subtlv: 0
  Metric: 1       IP-Extended 10.1.2.0/24      Up: 0 Subtlv: 0
  Metric: 1       IP-Extended 10.1.3.0/24      Up: 0 Subtlv: 0
  Metric: 1       IP-Extended 10.1.4.0/24      Up: 0 Subtlv: 0
  Metric: 1       IP-Extended 10.1.5.0/24      Up: 0 Subtlv: 0
  Metric: 1       IP-Extended 10.1.6.0/24      Up: 0 Subtlv: 0
  Metric: 1       IP-Extended 10.1.7.0/24      Up: 0 Subtlv: 0
  Metric: 1       IP-Extended 10.1.8.0/24      Up: 0 Subtlv: 0
  Metric: 1       IP-Extended 10.1.9.0/24      Up: 0 Subtlv: 0
  Metric: 1       IP-Extended 10.1.10.0/24     Up: 0 Subtlv: 0
  Metric: 10      IP-Extended 10.1.0.0/16      Up: 0 Subtlv: 0
  Metric: 10      IPv6 Reachability 1000::/32      Up: 0 Subtlv: 0
  Metric: 10      IPv6 Reachability 2000::/32      Up: 0 Subtlv: 0
  Metric: 10      IS-Extended mul.02
  Admin Group: 0x00000000
  Interface IP Address: 10.1.1.1
  Link BW: 10000000 kbits/sec
  Reservable BW: 10000000 kbits/sec
  Unreserved BW:
    [0] 10000000 kbits/sec [1] 10000000 kbits/sec
    [2] 10000000 kbits/sec [3] 10000000 kbits/sec
    [4] 10000000 kbits/sec [5] 10000000 kbits/sec
    [6] 10000000 kbits/sec [7] 10000000 kbits/sec
  Admin Group: 0x00000000
  Interface IP Address: 10.1.1.1
  Neighbor IP Address: 10.1.1.2
  Link BW: 10000000 kbits/sec
  Reservable BW: 8000000 kbits/sec
  Unreserved BW:
    [0] 8000000 kbits/sec [1] 8000000 kbits/sec
    [2] 8000000 kbits/sec [3] 8000000 kbits/sec
    [4] 8000000 kbits/sec [5] 8000000 kbits/sec
    [6] 8000000 kbits/sec [7] 8000000 kbits/sec
  Metric: 10      IS-Extended mu3.00

```

## Clearing IS-IS shortcuts

When the user clears IS-IS shortcuts, IS-IS attempts to remap the LSP To address to IS-IS system ID. Clearing shortcuts is useful when the mapping between the To address and System ID must be refreshed once the LSP tunnel is being used in the SPF calculation.

---

### NOTE

This is not a common operation.

---

To clear IS-IS shortcuts from the configuration, use one of the following CLI commands at any level of the CLI:

- clear isis shortcut – This command clears all IS-IS shortcuts from the configuration.

- `clear isis shortcut lsp lsp-name` – This command clears IS-IS shortcuts for the specified LSP.

Syntax: `clear isis shortcut [lsp lsp-name]`

## Ignore LSP metric

The Ignore LSP Metric feature, when enabled, forces IGP protocols not to use configured LSP metric values for IS-IS and OSPF shortcuts when performing SFP calculations. Enabling this feature causes the shortcut's effective metric to be derived by summing up all the path's cost spanned over by the shortcut. By ignoring the LSP metric, IGP such as IS-IS, can just run Incremental Shortcut SPF instead of full SPF calculation when an LSP goes up or down since the network topology is not changed.

This feature can only be enabled on routers when the IGP shortcut is configured. The feature is disabled by default.

---

### NOTE

The LSP must be disabled before enabling or disabling this feature.

---

To enable the Ignore LSP metric feature, disable the LSP and enter a command such as the following at the MPLS LSP level of the CLI.

For IS-IS:

```
Brocade(config-mpls-lsp-tomu3)# shortcut isis level2 ignore-lsp-metric
```

Syntax: `[no] shortcut isis level1 | level2 [ignore-lsp-metric] [announce [announce-metric value]] [relative-metric + | - value]`

The “+” or “-” sign is required. “+” denotes a positive number. “-” denotes a negative number.

For *num*, enter a value from 1 – 16777215. The default is zero (0).

Enter the [no] form of the command to return to using the configured LSP metric as the shortcut's cost when performing IS-IS SFP calculation.

For OSPF:

```
Brocade(config-mpls-lsp-tomu3)# shortcut ospf ignore-lsp-metric
```

Syntax: `[no] shortcut ospf [ignore-lsp-metric]`

Enter the [no] form of the command to return to using the configured LSP metric as the shortcut's cost when performing OSPF SFP calculation.

The following example shows a sample configuration of the Ignores LSP metric feature:

```
R2(config-mpls)# lsp lsp100
R2(config-mpls-lsp-lsp100)# disable
Disconnecting signaled LSP lsp100
R2(config-mpls-lsp-lsp100)# shortcut isis level2 ignore-lsp-metric
R2(config-mpls-lsp-lsp100)# enable
Connecting signaled LSP lsp100
R2(config-mpls)# show isis shortcut detail
Configured:1 Up: 1, Announced: 0

L2 lsp lsp100
  To 10.1.1.3, Used by SPF (10), Not Announced (Announce not configured)
  ISIS System Id for 10.1.1.3 is R3.00-00
  LSP Metric: 8(Ignored), Relative Metric: 0, Announce Metric: -
  Last notification from MPLS received 763d17h53m ago
R2(config-mpls)#
```

## Show command support

Use the following show commands to display information about IS-IS shortcuts:

- `show isis shortcuts` – Displays information about all IS-IS shortcuts configured on the device.
- `show isis shortcuts lsp lsp-name` – Displays information about all IS-IS shortcuts configured for a specified LSP.
- `show isis shortcuts detail` – Displays detailed information about all IS-IS shortcuts that are UP, such as the system ID and matching To address of the tunnel, configured metric values, and the time period for which the LSP has been an IS-IS shortcut.
- `show isis shortcuts lsp lsp-name detail` – Displays detailed information about all IS-IS shortcuts for a specified LSP, such as the system ID and matching To address of the tunnel, configured metric values, and the time period for which the LSP has been an IS-IS shortcut. This command also displays whether IGP Ignore LSP metric is enabled.
- `show isis` – Enhanced output indicates whether or not IS-IS shortcuts are configured, the number of shortcuts configured, how many are UP, and how many are advertised.
- `show isis debug` – Shows debugging information for IS-IS shortcuts. For more information, refer to the diagnostic reference guide.

---

### NOTE

Only LSPs that are UP (administratively and operationally enabled in the MPLS domain) are kept in the database and displayed in the show command outputs. LSPs that are down are not kept in the database and are not displayed in the command outputs.

---

### NOTE

There is no show command for OSPF shortcut.

---

## Displaying general information about IS-IS shortcuts

The `show isis shortcuts` command displays information about all IS-IS shortcuts configured on the device.

```

Brocade# show isis shortcuts
Configured: 3, Up: 2, Announced: 1
Name           To           Metric           Announce   Tunnel
              (SPF/Announce)
lsp tomu2      10.4.1.1     10/-             No         tn11
lsp tomu3      10.3.1.1     -/-              Yes        tn12
lsp toolong    10.20.1.1    10/10            Yes        tn13
toreachmu3

```

Syntax: show isis shortcuts [lsp lsp-name]

The optional lsp parameter displays information about IS-IS shortcuts for a specific LSP.

Table 103 describes the fields shown in this output.

**TABLE 103** Output for the show is-is shortcuts command

This field...	Displays
Configured	The number of IS-IS shortcuts configured.
Up	The number of IS-IS shortcuts that are UP.
Announced	The number of IS-IS shortcuts that are advertised.
Name	The name of the IS-IS shortcut. When the name is longer than 11 characters, it wraps to the next line.
To	The LSP endpoint address.
Metric (SPF or Announce)	<p>The metric used in the SPF calculation or the metric used in the advertisement of the IS adjacency TLV.</p> <p>The SPF metric can be one of the following:</p> <ul style="list-style-type: none"> <li>• The metric configured at the MPLS LSP configuration level</li> <li>• The native IGP metric plus or minus (+ or -) the relative metric configured with the shortcuts isis command</li> <li>• The native IGP metric</li> <li>• A dash (-) denotes that the tunnel is not used in SPF calculations.</li> </ul> <p>The Announce metric can be one of the following:</p> <ul style="list-style-type: none"> <li>• 10 (the default announce metric)</li> <li>• The metric configured with the announce-metric keyword</li> <li>• A dash denotes that the tunnel is not used in the IS adjacency TLV advertisement.</li> </ul>
Announce	<p>Indicates whether or not IS-IS shortcuts are advertised:</p> <ul style="list-style-type: none"> <li>• Yes – IS-IS shortcuts are advertised</li> <li>• No – IS-IS shortcuts are not advertised.</li> </ul>
Tunnel Intf	The tunnel index of the LSP. This is assigned by MPLS whenever an LSP is created.

## Displaying detailed information about IS-IS shortcuts

The show isis shortcuts detail command displays detailed information about IS-IS shortcuts, including:

- The system ID and matching To address of the tunnel
- Configured metric values

- How long the LSP has been an IS-IS shortcut

The following shows output from this command.

```
Brocade# show isis shortcuts lsp tomu2 detail
lsp tomu2
To 10.1.1.1, Used by SPF (10), Not Announced
  LSP metric: 10, Relative Metric: -, Announce Metric: -
  ISIS System Id for 10.4.1.1 is mu2.00-00
  Not announced due to configuration
  Last notification from MPLS received 0h0m35s ago.
```

---

#### NOTE

The LSP name in this output is not wrapped.

---

Syntax: show isis shortcuts detail | lsp *lsp-name* detail

The optional lsp parameter displays detailed information about IS-IS shortcuts for a specific LSP.

Table 103 defines the fields shown in this output.

**TABLE 104** Output for the show isis shortcuts detail command

This field...	Displays
<i>name</i>	The name of the IS-IS shortcut.
To	This line contains the following information: <ul style="list-style-type: none"> <li>• The LSP endpoint address</li> <li>• Whether or not this LSP is used in the SPF calculation. This field displays either Used by SPF or Not Used by SPF</li> <li>• Whether or not the announce metric is used.</li> </ul>
LSP metric	This field displays one of the following: <ul style="list-style-type: none"> <li>• The metric value configured at the MPLS LSP configuration level of the CLI</li> <li>• A dash (-), which denotes that the LSP metric is not configured</li> <li>• (Ignored) which denotes the Ignore LSP Metric feature is enabled.</li> </ul>
Relative metric	This field displays one of the following: <ul style="list-style-type: none"> <li>• The relative metric value configured with the shortcuts isis command</li> <li>• A dash (-), which denotes that the relative metric is not configured.</li> </ul>
Announce metric	This field displays one of the following: <ul style="list-style-type: none"> <li>• The announce metric value configured with the shortcuts isis command</li> <li>• A dash (-) which denotes that the announce metric is not configured.</li> </ul>
IS-IS System Id	The matching IS-IS system ID for the LSP endpoint.
Not used by SPF due to	When the tunnel is not used by SPF, one of the following reasons is noted: <ul style="list-style-type: none"> <li>• Not used by SPF due to no IS-IS system-id mapping to <i>router-ID</i>. No mapping exists between the LSP tunnel destination and the IS-IS System ID.</li> <li>• Not used by SPF due to no IS-IS native route to LSP <i>tunnel destination</i>. There is no IS-IS native route to the LSP tunnel destination.</li> <li>• Not used by SPF due to IS-IS alternate path preferred to this tunnel. An alternate path has a better metric than the LSP tunnel.</li> </ul>



**TABLE 104** Output for the show isis shortcuts detail command

This field...	Displays
Not announced due to configuration	Indicates that announce is not configured.
Last notification from MPLS received	The last time (in hours, minutes, seconds) a status notification was received from MPLS.

## Displaying IS-IS shortcut statistics

The show isis command output includes the following information about IS-IS shortcuts:

- Whether or not IS-IS shortcuts are enabled
- The number of IS-IS shortcuts configured
- How many IS-IS shortcuts are UP
- How many IS-IS shortcuts are advertised

The information is displayed at the bottom of the show isis display output. For example:

```
Brocade# show isis
(truncated for brevity)...
ISIS Shortcuts: 20 configured, 10 are up, and 10 are announced
```

Or

```
Brocade# show isis
(truncated for brevity)...
No isis shortcuts configured
```

## ECMP forwarding for IP over MPLS

ECMP hardware forwarding is supported for IP over MPLS packets when an outgoing interface is configured as a physical port *and* a VE interface, or configured on an MPLS tunnel. When multiple routes use ECMP to reach a destination, hardware ECMP is automatically enabled. ECMP load sharing for IP over MPLS is supported for 2-8 tunnels, with a default of four tunnels.

Brocade NetIron XMR and Brocade MLX series devices support ECMP hardware forwarding only in static CAM mode. ECMP hardware forwarding is not supported for dynamic mode. Hitless upgrade for ECMP hardware forwarding is not supported. ECMP hardware forwarding is not supported on Brocade NetIron CES and Brocade NetIron CER devices.

For ECMP hardware forwarding, all outgoing interface paths must be configured in the same VRF, and must belong to an MPLS tunnel. A hash value is computed for a packet when it is received by XPP. XPP uses the hash value to select a PRAM that forwards the packet to the destination. An ECMP PRAM block consists of 8 PRAMs. The hash value for each outgoing packet on a customer edge router interface is calculated based on source MAC address, destination MAC address, VLAN ID, source IP address, destination IP address, IP protocol field, TCP or UDP source port, and TCP or UDP destination port.

The hash value for each incoming packet on the route target is calculated based on the source MAC address, destination MAC address, VLAN ID, source IP address, destination IP address, IP protocol field, TCP or UDP source port, TCP or UDP destination port, and a VC label for an MPLS packet.

## QoS mapping between IP packets and MPLS

The 3-bit EXP field in the MPLS header can be used to define a Class of Service (CoS) value for packets that traverse an LSP. The CoS value specifies a priority for MPLS packets.

There are two ways that a CoS value can be applied to packets that traverse an MPLS network through an LSP:

- A CoS value is manually configured for the LSP. This is the default operation.
- No CoS value is set for an LSP, and the Type of Service (ToS) field in the IP header is used. In this situation, the device copies the first three bits in the ToS field of the packet to the CoS (EXP) field in the MPLS header. The ToS value maps to one of the four priority queues on the device.

## IP over MPLS statistics

---

### NOTE

IP over MPLS Statistics are only supported on Brocade NetIron XMR and Brocade MLX series devices.

---

### Displaying packet counts per Forward Equivalence Class (FEC)

To display the number of Layer 3 packets per FEC that have been sent from the device, enter the following command.

```
Brocade# show mpls ldp traffic
FEC                Packets
10.4.4.4/32         4263
10.4.78.0/24        0
10.4.79.0/24        0
10.1.1.1/32         6652833
10.1.12.0/24        0
10.1.15.0/24        0
10.1.18.0/24        5392821
10.1.21.0/24        0
10.1.24.0/24        656192
10.1.1.0/24         4483732
10.1.4.0/24         0
```

The packet counters displayed only count IP-over-MPLS packets entering these tunnels. The `show mpls lsp` command and the `show mpls statistic tunnel` command both display IP over MPLS traffic passing through an RSVP tunnel. When an RSVP tunnel or LDP tunnel also carries VRF, VPLS, or VLL packets, these packets are counted separately.

**TABLE 105** FEC Layer-3 traffic statistics output definitions

This field...	Displays...
FEC	The Forward Equivalence Class for which the packet output is being counted.
Packets	The number of Layer-3 packets that have been sent outbound through the named FEC from this device. The packets counted include Layer-3 VPN and IP over MPLS packets.

Syntax: show mpls ldp traffic

## 5 IP over MPLS statistics

# Configuring BGP or MPLS VPNs

## Overview

Table 106 displays the individual Brocade devices and the BGP or MPLS VPN features they support.

### NOTE

On Brocade NetIron CES devices, both ME\_PREM and L3\_PREM licenses are required to support L3 VPN.

**TABLE 106** Supported BGP or MPLS VPN features

Features supported	Brocade NetIron XMR Series	Brocade MLX Series	Brocade NetIron CES 2000 Series BASE package	Brocade NetIron CES 2000 Series ME_PREM package	Brocade NetIron CES 2000 Series L3_PREM package	Brocade NetIron CER 2000 Series Base package	Brocade NetIron CER 2000 Series Advanced Services package
Defining a VRF Routing Instance	Yes	Yes	No	Yes	Yes	Yes	Yes
Generating Traps for VRFs	Yes	Yes	No	Yes	Yes	Yes	Yes
Route Distinguisher to a VRF	Yes	Yes	No	<sup>a</sup> Yes	<sup>a</sup> Yes	No	Yes
Automatic Route Filtering	Yes	Yes	No	<sup>a</sup> Yes	<sup>a</sup> Yes	No	Yes
Assigning a VRF Routing Instance to a LAG Interface	Yes	Yes	No	Yes	Yes	Yes	Yes
Cooperative Route Filtering	Yes	Yes	No	<sup>a</sup> Yes	<sup>a</sup> Yes	No	Yes
Importing and Exporting Route Maps in a VRF	Yes	Yes	No	<sup>a</sup> Yes	<sup>a</sup> Yes	No	Yes
Defining an External Community with a Route Map	Yes	Yes	No	<sup>a</sup> Yes	<sup>a</sup> Yes	No	Yes
VPNv4 Route Reflector	Yes	Yes	No	<sup>a</sup> Yes	<sup>a</sup> Yes	No	Yes
BGP VRF Load Sharing	Yes	Yes	No	<sup>a</sup> Yes	<sup>a</sup> Yes	No	Yes

**TABLE 106** Supported BGP or MPLS VPN features (Continued)

Features supported	Brocade NetIron XMR Series	Brocade MLX Series	Brocade NetIron CES 2000 Series BASE package	Brocade NetIron CES 2000 Series ME_PREM package	Brocade NetIron CES 2000 Series L3_PREM package	Brocade NetIron CER 2000 Series Base package	Brocade NetIron CER 2000 Series Advanced Services package
ECMP forwarding for IP VPN	Yes	Yes	No	<sup>a</sup> Yes	<sup>a</sup> Yes	No	Yes
Autonomous System Number Override	Yes	Yes	No	<sup>a</sup> Yes	<sup>a</sup> Yes	No	Yes
Allow Routes with its own AS Number	Yes	Yes	No	<sup>a</sup> Yes	<sup>a</sup> Yes	No	Yes
Defining an External Community	Yes	Yes	No	<sup>a</sup> Yes	<sup>a</sup> Yes	No	Yes
LSPs per VRF	Yes	Yes	No	Yes	No	No	Yes
OSPF Sham Links	Yes	Yes	No	<sup>a</sup> Yes	<sup>a</sup> Yes	No	Yes
OSPF on a PE Device to Redistribute BGP-VPNv4 Routes	Yes	Yes	No	<sup>a</sup> Yes	<sup>a</sup> Yes	No	Yes
Adding a Static ARP Entry for a VRF	Yes	Yes	No	Yes	Yes	Yes	Yes
Configuring an IP Static Interface Route Across VRFs	Yes	Yes	No	Yes	Yes	Yes	Yes
IP TTL to MPLS TTL Propagation in an IPVPN	Yes	Yes	No	<sup>a</sup> Yes	<sup>a</sup> Yes	No	Yes
Static Route within the VRF Context	Yes	Yes	No	Yes	Yes	Yes	Yes
Backup Virtual Router for VRF Using VRRPE	Yes	Yes	No	Yes	Yes	Yes	Yes
Ping and Traceroute for Layer-3 VPNs	Yes	Yes	No	<sup>a</sup> Yes	<sup>a</sup> Yes	No	Yes

**TABLE 106** Supported BGP or MPLS VPN features (Continued)

Features supported	Brocade Netron XMR Series	Brocade MLX Series	Brocade Netron CES 2000 Series BASE package	Brocade Netron CES 2000 Series ME_PREM package	Brocade Netron CES 2000 Series L3_PREM package	Brocade Netron CER 2000 Series Base package	Brocade Netron CER 2000 Series Advanced Services package
Displaying BGP or MPLS VPNv4 Information	Yes	Yes	No	<sup>a</sup> Yes	<sup>a</sup> Yes	No	Yes
IPv4 VPN CAM Optimization	Yes	Yes	No	No	No	No	No

a. On Brocade Netron CES devices, both ME\_PREM and L3\_PREM licenses are required to support L3 VPN.

This chapter describes how to configure BGP or MPLS VPNs on devices. BGP or MPLS VPNs as defined by RFC 2547 can be used by internet service providers to provide remote wide-area connectivity services using an MPLS domain for data traffic and IBGP to distribute routing information. Each customer network can be completely segregated from every other customer network while sharing the same infrastructure.

**NOTE**

MPLS cannot be configured on the system globally when a NI-MLX-10Gx8-D card is installed.

This chapter is divided into the following sections:

- [“What is a BGP or MPLS VPN”](#) provides a basic description of BGP VPNs and an example. This section also lists the IETF RFCs and Internet Drafts supported by the implementation of BGP or MPLS VPNs.
- [“BGP or MPLS VPN components and what they do”](#) explains the software and hardware components that make up BGP or MPLS VPNs, including Customer Edge Router (CE), Provider Edge Routers (PE) and Virtual Routing and Forwarding (VRF) tables.
- [“BGP or MPLS VPN operation”](#) explains basic concepts about BGP or MPLS VPNs, including how routes are advertised and discovered, how the VRF manages packet forwarding, and how LSPs are employed to switch traffic across a MPLS domain.
- [“Configuring BGP VPNs on a PE”](#) describes how to configure a BGP or MPLS VPN. In this section, the basic configuration steps of a BGP VPN are described.
- [“Displaying BGP or MPLS VPNv4 information”](#), [“Displaying BGP or MPLS VRF information”](#), and [“Displaying additional BGP or MPLS VPN information”](#) provide information about the display command the user can use to manage a BGP or MPLS VPNv4 network.
- [“BGP or MPLS VPN sample configurations”](#) provide detailed examples of network configurations and examples of feature configurations.

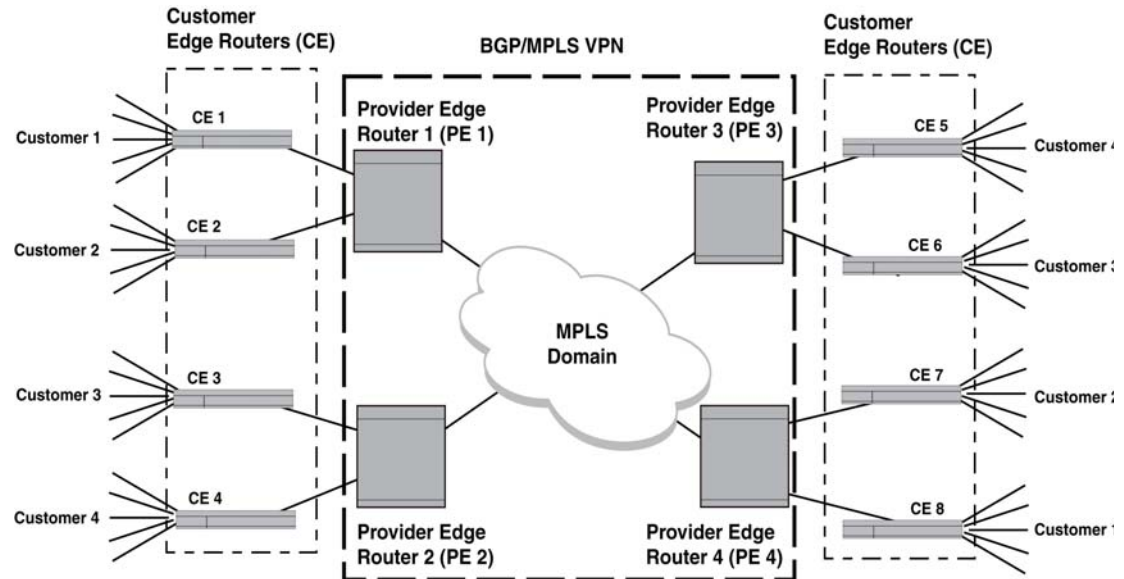
## What is a BGP or MPLS VPN

MPLS provides scalable and efficient switching over an indeterminate group of devices along a predetermined Labeled Switch Path (LSP). Using MPLS, LSPs can be set statically or determined dynamically by the ISPs to provide traffic engineering features. BGP or MPLS VPNs build on this infrastructure to provide virtual-circuit connectionless service between remote sites. Using a

common MPLS-domain, multiple Virtual Private Networks (VPNs) can be configured across a service-provider MPLS core network. Each VPN provides a secure data path that allows IP packetized traffic to share the infrastructure while being effectively segregated from other VPNs that are using the same MPLS domain.

In Figure 62, four separate customers (1-4) each have remote sites. Each customer is connected to a network at a remote site through the MPLS domain while being completely segregated and secure from traffic between other sites. For instance, CE 1 and CE 8 belong to Customer 1. CE 1 is connected to the BGP or MPLS VPN network through PE 1 and CE 8 through PE 4. Using the service provider's BGP or MPLS VPN service, traffic can be forwarded between CE1 and CE8 at the same time that Customers 2 through 4 use VPNs that operate over the same network infrastructure. Different customers can even use the same IP addresses without conflicting with other customers networks or creating any routing problems.

FIGURE 69 BGP or MPLS VPN network



## IETF RFC and Internet Draft support

The implementation of BGP or MPLS VPNs supports the following IETF RFCs and Internet Drafts:

### BGP or MPLS VPNs

RFC 4364: BGP or MPLS IP VPNs

RFC 4577: OSPF as the PE or CE Protocol in BGP or MPLS IP VPNs

RFC 4576: Using LSA Options Bit to Prevent Looping in BGP or MPLS IP VPNs (DN Bit)



## BGP

RFC 1771 – A Border Gateway Protocol 4 (BGP-4)  
RFC 1997 – BGP Communities Attribute  
RFC 2283 – Multiprotocol Extensions for BGP-4  
RFC 2842 – Capabilities Advertisement with BGP-4  
RFC 2858 – Multiprotocol Extensions for BGP-4  
RFC 3107 – Carrying Label Information in BGP-4

## Draft standards

draft-ietf-idr-route-filter-11  
draft-ietf-idr-bgp-ext-communities-07

## MIB support

RFC 4382 – MPLS or BGP Layer 3 Virtual Private Network (VPN) Management Information Base (with full support introduced in version 03.2.00 of the Multi-Service IronWare software).

# BGP or MPLS VPN components and what they do

This section describes each of the following components, which make up a BGP or MPLS VPN (refer to [Figure 70](#)):

- Customer Edge device (CE)
- Provider Edge device (PE)
- Virtual Routing and Forwarding table (VRF)
- Provider MPLS domain

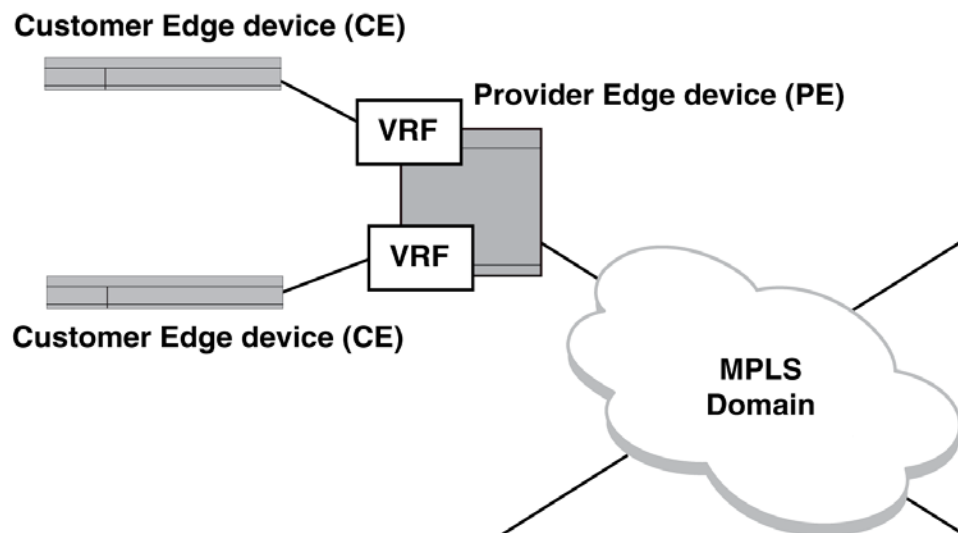
**The Customer Edge device (CE)** – The CE provides connectivity with a customer’s network and a Provider Edge device (PE). It can advertise routes available from the customer’s network using RIP, OSPF or EBGP. Alternately, the CE can create a static default route to a PE. Outbound packets from a customer’s network are forwarded from the CE to the PE, and inbound packets are forwarded from the PE to the CE attached to the customer’s network.

**The Provider Edge device (PE)** – In a BGP or MPLS VPN, the central component is the PE. The PE provides connectivity with the CE and with the MPLS domain. On one side of the PE, routing information is exchanged with the CE using either static routes, RIP, OSPF, or EBGP. On the other side, IBGP is used with BGP multiprotocol extensions to communicate with all of the other PEs that are connected to networks in the same VPN and available to the customer’s network. When a CE sends packets to a PE to forward across an MPLS domain, that PE functions as an MPLS ingress Label Edge device (LER) and the PE on the other end of the domain functions as an MPLS egress LER.

**Virtual Routing and Forwarding table (VRF)** – The PE maintains a Virtual Routing and Forwarding table (VRF) for each customer that is attached to it through a CE. The VRF contains routes between the PE and the CE and Label Switched Paths (LSPs) across the MPLS domain for each PE that is a member of the customer’s VPN. VRFs are defined on interfaces of the PEs.

**Provider MPLS domain** – The Provider MPLS domain is composed of Provider (P) devices. An MPLS domain can traverse more than one service provider’s MPLS network. The P devices do not store any VPN information; they just switch traffic from the ingress PE device along the LSP to the egress PE device.

FIGURE 70 BGP or MPLS VPN components



## BGP or MPLS VPN operation

The purpose of a BGP or MPLS VPN is to forward packets between remote sites of a customer’s network through a service provider’s MPLS infrastructure. The section titled “[BGP or MPLS VPN components and what they do](#)” on page 617 describes the network components required to perform that task. The following sections describe how those components work together to create this service:

- “[Creating routes in a BGP or MPLS VPN](#)”
- “[Routing a packet through a BGP or MPLS VPN](#)”

### Creating routes in a BGP or MPLS VPN

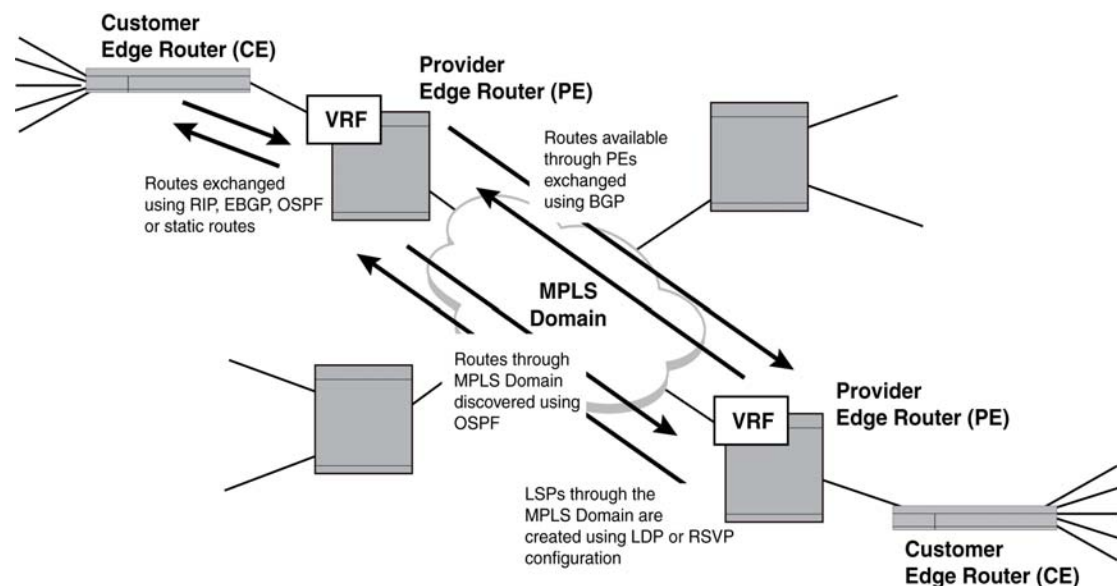
A CE device maintains the connection to the customer’s network and is configured within that network to share access to its available network prefixes and to receive packets from other VPN-connected networks. That CE is connected to a PE through an interface that is configured for a specified VRF for connection to the BGP or MPLS VPN. This connection places the CE in the BGP or MPLS VPN. Routes that are available through the CE are then made available to the PE using RIP, OSPF, EBGp or a static route. These routes are then stored in the VRF where they are associated with the VPN. The route from the CE to the PE is kept in the CE’s routing table.

The PE device is connected to the MPLS domain through one or more interfaces. The PE must advertise the routes that it has available in its VRF tables across the MPLS domain to its PE peers. Available routes in the VRF are prepended with a Route Distinguisher (RD) and advertised across the MPLS domain using IBGP. The PEs can either be configured for IBGP as either full mesh or with a route reflector to allow greater scalability. Routes that are advertised from other PEs in the VPN are received at the PE and collected in the VRF table. This procedure establishes which other PEs are in the VPN and what networks are available through them.

OSPF is used as the Interior Gateway Protocol (IGP) within the service provider's MPLS domain to provide connectivity. OSPF also populates the traffic engineering (TE) used by RSVP-TE.

Labeled Switch Paths (LSPs) are then created using Label Distribution Protocol (LDP), Resource Reservation Protocol (RSVP) configurations in the MPLS domain. Using this protocol, the PE obtains an LSP required to switch traffic to the other PEs. The network is now populated with all of the routes required to forward packets between the customer's networks.

**FIGURE 71 BGP or MPLS VPN route discovery**



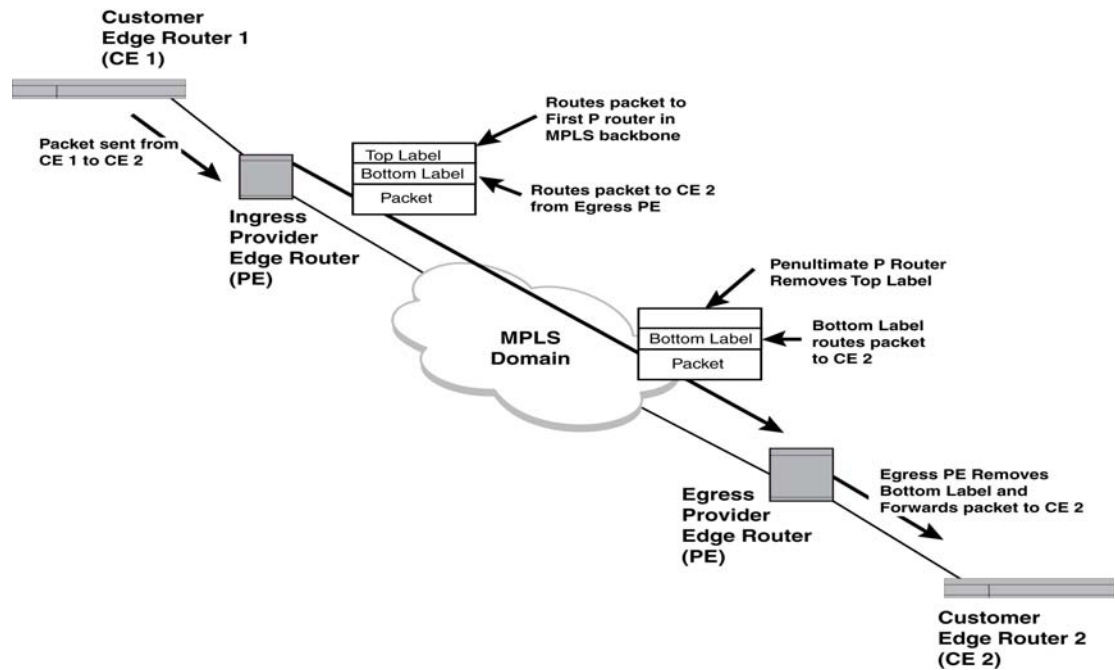
## Routing a packet through a BGP or MPLS VPN

This section and the diagram in [Figure 72](#) describe how a packet is forwarded through a BGP or MPLS VPN.

When a packet is forwarded from a CE to a PE, a bottom label is attached to the packet by the PE that is associated with the final destination. This label is obtained from the egress PE as part of the route discovery conducted by IBGP. Then, the top label which is obtained by the LSP connecting to the egress PE is added to the packet. The packet is then forwarded through the MPLS domain and is switched using the top label. At the penultimate device in the LSP, the top label is removed and the packet is forwarded to the egress PE. The egress PE uses the inner label to identify the CE to which the packet must be forwarded. The egress PE removes the inner label and forwards the packet to the correct CE.

**FIGURE 72 Routing a packet through a BGP or MPLS VPN**

## 6 Configuring BGP VPNs on a PE



## Configuring BGP VPNs on a PE

To configure a BGP VPN on a Provider Edge device (PE) the user must perform the configuration steps listed below.

1. "Defining a VRF routing instance"
2. "Assigning a Route Distinguisher to a VRF"
3. "Defining IPv4 or IPv6 address families of a VRF"
4. "Defining automatic route filtering"
5. "Assigning a VRF routing instance to an interface"
6. "Assigning a VRF routing instance to a LAG interface"
7. "Setting up cooperative route filtering"
8. "Importing and exporting route maps"
9. "Defining an extended community for use with a route map"
10. "Creating a VPNv4 route reflector"
11. "Configuring BGP VRF load sharing"
12. "Configuring autonomous system number override"

13. “Configuring a PE to allow routes with its AS number”
14. “Setting up LSPs per VRF”
15. “Configuring OSPF sham links”
16. “Configuring OSPF on a PE device to redistribute BGP-VPNv4 routes”
17. “Generating traps for VRFs”

## Defining a VRF routing instance

A single PE can contain one or more VRFs. Each of these VRFs must be defined separately on a PE. A PE distributes routes and route packets to other members of the same VRF but not to other VRFs. The VRF name can be any string that the user wants to define it as.

To define the VRF routing instance VPN1 on a PE, enter the following command.

```
Brocade(config)# vrf VPN1
Brocade(config-vrf-vpn1)# exit-vrf
Brocade(config)#
```

Syntax: [no] vrf *vrf\_name*

Configures a VRF table on the device with the name *vrf\_name* and puts the device in config-vrf mode.

The *vrf\_name* parameter specifies a name for the VRF being created.

Syntax: [no] exit-vrf

The exit-vrf command moves the user out of the VRF configuration mode for the VRF the user is configuring.

## Assigning a Route Distinguisher to a VRF

Each instance of a VRF must have a unique Route Distinguisher (RD) assigned to it. The RD is prepended on any address being routed or advertised. The RD can be defined as either ASN-relative or IP address-relative. Because the RD is unique to an instance of a VRF, it allows the same IP address to be used in different VPNs without creating any conflict.

To assign a Route Distinguisher (RD) for a VRF based on the AS number 3 and the arbitrary identification number 6, enter the following command.

```
Brocade(config-vrf)# rd 3:6
```

Syntax: [no] rd *route\_distinguisher*

The *route\_distinguisher* variable specifies a route distinguisher for a VRF that gives a route associated with the VRF a unique identity. The RD is prepended on the address being advertised. The RD allows the same IP address to be used in different VPNs without creating any conflicts. It can also be used with the *route-target* command to constrain distribution of routes to or from a VPN. The *route\_distinguisher* parameter can be either ASN-relative or IP address-relative as described:

**ASN-relative** – Composed of the local ASN number followed by a “:” and a unique arbitrary number. For example: 3:6.

**IP address-relative** – Composed of the local IP address followed by a “:” and a unique arbitrary number.

## Defining IPv4 or IPv6 address families of a VRF

Each address family configuration level allows the user to access commands that apply to that particular address family only.

To define IPv4 or IPv6 address families of a VRF, enter the following command.

```
Brocade(config)# vrf VPN1
Brocade(config-vrf-vpn1)# address-family ipv4
Brocade(config-vrf-vpn1-ipv4)# exit-address-family
Brocade(config-vrf-vpn1)# exit-vrf
Brocade(config)#
```

Syntax: [no] address-family *ipv4/ipv6*

Syntax: exit-address-family

The *exit-address-family* command moves the user out of the IPv4 or IPv6 address family of a VRF the user is configuring.

## Defining automatic route filtering

Each VRF is configured with import and export route targets. The export route target sets an extended community attribute number that is appended to all routes that are exported from the VRF. The import route target value sets a filter that determines the routes that are accepted into the VRF. Any route with a value in its import route-target contained in its extended attributes field matching the value in the VRFs import route target is accepted. Otherwise, the route is rejected. This process is referred to as automatic route filtering.

To define an import route target of 3:6 and an export route target of 3:8 for a VPN, enter the following commands.

```
Brocade(config-vrf)# route-target import 3:6
Brocade(config-vrf)# route-target export 3:8
```

Syntax: [no] route-target [import | export | both] *route-target*

This command associates a route target specified by the *route-target* variable with a specified VRF for control on routes.

The import parameter specifies that routes with route-target extended community attributes matching the specified route-target variable can be imported into the VRF where this command is configured.

The export parameter specifies the route-target extended community attributes that are attached to routes export from the specified VRF.

The both parameter specifies that both the import and export values apply to the specified route-target variable for the VRF where this command is configured. This is the default state. It applies when no specific value for this parameter is set.

The *route-target* variable specifies a target VRF extended community. Like a route distinguisher, it is either AS-relative or IP address-relative.

## Assigning a VRF routing instance to an interface

Once a VRF routing instance is defined, it must be assigned to one or more virtual or physical interfaces on a PE.

To assign the VRF named VPN1 to Ethernet interface 1/1, enter the following commands.

```
Brocade(config)# interface ethernet 1/1
Brocade(config-if-e10000-1/1)# vrf forwarding VPN1
```

Syntax: [no] vrf forwarding *vrf-name*

The *vrf-name* variable is the name of the VPN that the interface is being assigned to.

## Assigning a VRF routing instance to a LAG interface

A VRF routing instance can be assigned to a dynamic LAG interface. To assign a VRF routing instance to a LAG the following rules must be observed:

- The dynamic LAG must be configured before assigning any of its ports to a non-default VRF routing instance.
- Before deployment of the dynamic LAG all members of the LAG must be in the default VRF routing instance.
- After the LAG is deployed, the primary port can be assigned to a non-default VRF routing instance.
- Once the dynamic LAG is deployed, all ports are in the LACP\_BLOCK state until the LACP protocol can negotiate with the other end. Once the negotiation with the other end is completed, all the LACP ports are set to the FORWARD state.
- When the Dynamic LAG is undeployed, the primary port stays in the VRF that it was assigned to but all secondary ports moves back to the default VRF.

The following configuration creates a dynamic LAG named “red” and assigns port 1/1 as the primary port and port 1/2 as a secondary port. The LAG is deployed and the primary port (1/1) is assigned to the VRF routing instance named “VPN1”. All ports in the LAG named “red” are then assigned to the VRF routing instance named “VPN1”.

```
Brocade(config)# lag red dynamic
Brocade(config-lag-red)# ports ethernet 1/1 to 1/2
Brocade(config-lag-red)# primary port 1/1
Brocade(config-lag-red)# ports ethernet 1/2
Brocade(config-lag-red)# deploy
Brocade(config-lag-red)# exit
Brocade(config)# interface ethernet 1/1
Brocade(config-if-e10000-1/1)# vrf forwarding VPN1
```

When the dynamic LAG named “red” is undeployed as shown in the following, port 1/1 remains in the VRF routing instance named “VPN1” but port 1/2 is returned to the default VRF.

```
Brocade(config)# lag red dynamic
Brocade(config-lag-red)# no deploy
```

### Setting up cooperative route filtering

Automatic route filtering in VRFs is provided through the `route-target import` command. By placing this command in the VRF configuration, routes can be filtered from being imported into a given VRF. Routes with extended community route targets matching the VRF's import route-targets are permitted into a VRF. Otherwise, the routes are rejected.

The cooperative route filtering feature requires that the user sets a `send` command on the device that is sending the ORF, and a `receive` command on the device that is installing the ORF. To configure the sending device, use the following command in the VPNv4 address family.

```
Brocade(config-bgp-vpnv4u)# neighbor 10.3.3.1 capability orf extended-community
send-vrf-filter
```

Syntax: `[no] neighbor neighbor_IPaddress capability orf extended-community send-vrf-filter`

To configure the peering device use the following command in the VPNv4 address family.

```
Brocade(config-bgp-vpnv4u)# neighbor 10.3.3.2 capability orf extended-community
receive
```

Syntax: `[no] neighbor neighbor_IPaddress capability orf extended-community receive`

### Importing and exporting route maps

Route-maps configured using the `route-map` command can be applied to a VRF to provide filtering of VPNv4 routes between PEs in a BGP or MPLS VPN. When a route-map is applied to a VRF, only VPNv4 routes are filtered. Other routes such as static routes, connected routes, OSPF VRF routes, or BGP CE side routes are not affected. Because the route map is applied to the VRF, it filters traffic to all connected PEs. This is in contrast to applying a route-map using the `BGP neighbor`. In that case, the route map applies to routes imported from or exported to the neighbor that is specified.



Route maps applied to a VRF can coexist with route maps that are applied to a BGP neighbor. The user can filter routes from being imported into a VRF using the import and export route commands. This allows the user to accept or deny the routes for one VRF without affecting the routes that are imported or exported from other VRFs. To do this, the user must define a route-map import or export command.

To configure a VRF to apply the import route map ImportOne, use the following command at the VPNv4 prompt.

```
Brocade(config)# vrf vrfone
Brocade(config-vrf-vrfone)# import map ImportOne
Brocade(config-vrf-vrfone)# exit-vrf
Brocade(config)#
```

Syntax: [no] import map *map-name*

The *map-name* variable is the name of the route map that the user wants to apply to the VRF.

To configure a VRF to apply the export route map ExportOne, use the following command at the VPNv4 prompt.

```
Brocade(config)# vrf vrfone
Brocade(config-vrf-vrfone)# export map ExportOne
Brocade(config-vrf-vrfone)# exit-vrf
Brocade(config)#
```

Syntax: [no] export map *map-name*

The *map-name* variable is the name of the route map that the user wants to apply to the VRF.

## Defining an extended community for use with a route map

Routes can be filtered in or out of a PE by the use of an IP extended community to identify them. In this situation, a route is identified by its extended community variable. It is entered as a route target in an IP extended community list and then matched in a route-map command. This route map is then applied from the PE that is defining the route to be filtered to the PE where the route filter is to be implemented by using a neighbor *ip\_address* [route-map] command. When a VRF exists on the neighbor that exports the route-target being blocked, all routes from that VRF are blocked from being sent to the PE where the filter is defined.

To define the IP extended community list 20 to define route target RT 100:6 to be denied, enter the following command.

```
Brocade(config)# ip extcommunity-list 20 deny rt 100:6
```

Syntax: [no] ip extcommunity-list *num* route-map [permit] [deny] [rt *route ID*] [soo *route ID*]

The *num* variable is the extended community list number.

The permit | deny parameter indicates that action the device takes when the match is true.

The `rt route ID` variable specifies the route target that is applied to filtering. The `route ID` has the format of either `ASN:nn` or `IP-address:nn`. When four-byte ASNs have been enabled or when four-byte IP addresses are used, the user-purposed `nn` value can be a maximum of two bytes instead of our bytes.

The `soo route ID` variable specifies the site of origin. The `route ID` has the format of either `ASN:nn` or `IP-address:nn`. When four-byte ASNs have been enabled or when four-byte IP addresses are used, the user-purposed `nn` value can be a maximum of two bytes instead of our bytes.

## Creating a VPNv4 route reflector

PE devices in a BGP or MPLS VPN share routes between each other using IBGP. This can be accomplished using a full mesh configuration or a route reflector can be used to simplify a networks topology and improve scalability. While the general concepts are the same for using Route Reflectors in a normal IBGP network as in an BGP or MPLS VPN, there are some differences. In addition, there are special conditions that apply when a route reflector is configured for normal IPv4 BGP traffic (IPv4) and for BGP or MPLS VPN traffic (VPNv4). The differences and special considerations are described in the following:

Special considerations when configuring a route reflector for both IPv4 and VPNv4:

- A VPNv4 route does not need to be installed in any VRF before being reflected.
- Route reflector configurations for IPv4 and VPNv4 are separated in different address family configurations.
- For a VPNv4 route installed to a VRF, the reflected VPNv4 route still carries the original RD and PA.
- When there is a route reflector configuration change, a warning message is displayed that requests the user to clear the neighbor session.

Specific commands for VPNv4 – There are VPNv4 specific commands that must be configured to configure a route reflector for a BGP or MPLS VPN under address family VPNv4. A route reflector can be configured on a PE for IPv4 and VPNv4 or for either exclusively. When the user is configuring a route reflector for a BGP or MPLS VPN, the user must configure it specifically using the VPNv4 specific commands.

To create a VPNv4 route reflector with a client at the IP address 10.11.11.2, enter the following commands at the VPNv4 level of BGP Config level.

```
Brocade(config-bgp-vpnv4u)# neighbor 10.11.11.2 route-reflector-client
```

Syntax: `[no] neighbor IPaddress route-reflector-client`

The `IPaddress` variable is the IP address of the PE device that the user wants to define the route reflector client.

A route reflector can be setup with local import filtering to filter out VPNv4 routes matched by an extended community list. This requires that the user creates an extended community list for the routes the user wants to filter and set the following command.

```
Brocade(config-bgp)# address-family vpnv4 unicast
Brocade(config-bgp-vpnv4u)# rr-group 1
```

Syntax: `[no] rr-group group-num`

The *group-num* variable refers to an extended community list number from 1 to 99 that specifies the routes that the user wants to filter.

## Configuring BGP VRF load sharing

The default for each VRF is to maintain only the lowest-cost route in its routing table for each VPN that it is connected to. When a lower-cost route is discovered, it replaces the route that is currently in the table. When another route of equal cost is discovered, it is rejected. The Brocade device, however, is able to perform load sharing over multiple routes to the same destination. In order to make this feature operational, the user must increase the number of path entries allowed in a VRFs routing table.

Configuring BGP VRF load sharing requires two different CLI commands that work in relationship with each other. These are the global ip load-sharing command and the BGP VRF specific maximum-path command. The value set for ip load-sharing provides a maximum number that the maximum-path value for a specific route can be set to. The maximum-path command has a maximum value of 32.

---

### NOTE

The maximum number of paths supported by the BR-MLX-10Gx24-DM module is 16.

---

When the IP load-sharing value is set to 4 or greater, the maximum-path value for a specific BGP VRF can be set to a value of from 1 to 4. The default is 1. When the IP load-sharing value is set to less than 4, the maximum-path value for a specific BGP VRF can only be set to the global IP load-sharing value or less.

To set the maximum-path value to 4, enter the following commands at the VPNv4 level of the BGP configuration level.

```
Brocade(config-bgp)# maximum-paths 4
```

Syntax: [no] maximum-paths *number*

The *number* variable is the maximum number of routes that can be maintained for a VRF. The *number* value range is 2 to 32 and the default is 1.

---

### NOTE

The *number* value cannot exceed the value set for the device by the ip load-sharing command.

---

## ECMP forwarding for IP VPN

ECMP hardware forwarding is now supported for IP VPN packets when an outgoing interface is configured as a physical port and a VE interface. When multiple routes are using ECMP to route to a destination, then hardware ECMP is automatically enabled. ECMP load sharing for IP over MPLS is supported for 2 to 32 tunnels. For more information on configuring ECMP load sharing for IP VPN, refer to “[Configuring BGP VRF load sharing](#)” on page 627.

ECMP hardware forwarding is supported only in static CAM mode. ECMP hardware forwarding is not supported for dynamic mode. Hitless upgrade for ECMP hardware forwarding is not supported.

When configuring ECMP hardware forwarding, all outgoing paths must be configured in the same VRF. A hash value is computed for a packet when it is received by XPP. XPP uses the hash value to select a PRAM that is used to forward the packet to its destination. An ECMP PRAM block consists of 8 PRAMs. The hash value for each outgoing packet on a Customer Edge device interface is calculated based on the source MAC address, destination MAC address, VLAN ID, source IP address, destination IP address, IP protocol field, TCP or UDP source port, and TCP or UDP destination port.

The hash value for each incoming packet on the route target is calculated based on the source MAC address, destination MAC address, VLAN ID, source IP address, destination IP address, IP protocol field, TCP or UDP source port, TCP or UDP destination port, and a VC label for an MPLS packet.

### Configuring autonomous system number override

There are some situations where a customer wants to connect to a service provider's BGP or MPLS VPN network using the same AS number at more than one site. This can create a problem because it is the default BGP procedure to reject routes from the same AS. One solution to this problem is to configure a PE router to override the AS\_PATH attribute of its BGP neighbor. This is accomplished by configuring the neighbor *ip\_address* as-override command on the PE. When this is enabled, the PE device determines when the AS\_PATH attribute in a route intended for a neighbor CE contains the same AS number as the CE. When this is determined, the PE device substitutes its own AS number for the CEs in the AS\_PATH attribute. The CE is then able to receive the route. The following additional conditions apply when this feature is in effect:

- In a situation where the AS\_PATH attribute contains more than one occurrence of the CEs AS number in the initial sequence, the PE device replaces all those occurrences with its own AS number.
- The PE device adds its own AS number to the AS\_PATH attribute just as it would normally.

The following command configures the PE device to replace its attached CEs AS number with its own AS number. BGP neighbor at IP address 10.33.36.2 the configuration of PE 2 required to enable Autonomous System number override for the BGP neighbor CE 2.

To configure a PE device to replace its attached CEs AS number with its own AS number, enter the following commands at the VRF level of the BGP Config level.

```
Brocade(config-bgp-vpnv4u)# neighbor 10.33.36.2 as-override
```

Syntax: [no] neighbor *IPaddress* as-override

The *IPaddress* variable is the IP address of the CE whose AS number is being replaced with the PE's AS number.

### Configuring a PE to allow routes with its AS number

BGP rejects routes that contain its own AS number within its AS\_PATH attribute to prevent routing loops. In an MPLS or VPN hub and spoke topology this can stop legitimate routes from being accepted. The *allows-in* command fixes this problem by allowing the user to set a parameter that disables the AS\_PATH check function for routes learned from a specified location.

To configure a PE to disable the AS\_PATH check function for routes sent to it by its BGP neighbor (a CE device with the IP address 10.33.36.2) for a maximum limit of three occurrences of the route, enter the following command at the BGP VRF configuration level.

```
Brocade(config-bgp-ipv4u-vrf)# neighbor 10.33.36.2 allowas-in 3
```

Syntax: [no] neighbor *IPaddress* allowas-in *asn\_limit*

The *IPaddress* is the IP address of the neighbor CE device from which the PE device can accept routes that have the same AS number.

The *asn\_limit* value prevents loops by limiting the number of occurrences that the PE's AS number can be accepted in routes that are received from the specified device.

## Setting up LSPs per VRF

IBGP is used between PEs to determine routes that are available between VRFs. These routes are linked to a Label Switched Path (LSP) that has been defined separately either as a static path or using LDP or RSVP. The LSP is used to tunnel through the MPLS domain to the destination PE. Under most circumstances, the default route between two PEs is chosen by IBGP between the VRFs with the PEs loopback address as the next hop. When there is a single loopback on the PE, the same LSP tunnel is the only path used between any VRF defined on a PE and VRFs on other specified PEs.

More than one LSP can be configured between PEs however, where each LSP is associated with a different Loopback address on the PE. In this case, any loopback address on a PE can be assigned as the nexthop address for a specific or multiple VRFs. This allows the user to assign some VRFs on a PE to one LSP and other VRFs to a different LSP. Through this method, traffic from different VRFs can be assigned to LSPs that provide different qualities of service. This feature can also be employed to provide for load-balancing across the MPLS domain.

To configure a PE device to use different LSPs, a BGP next hop must be configured for a VRF as the following example illustrates.

```
Brocade(config)# vrf blue
Brocade(config-vrf-blue)# bgp next-hop loopback 2
Brocade(config-vrf-blue)# exit-vrf
Brocade(config)#
```

Syntax: [no] bgp next-hop *loopback-interface*

The *loopback-interface* variable is the number of the loopback interface that the user is assigning to the VRF as a BGP next hop. The loopback address becomes the defined VRF's nexthop for its VPNv4 routes that are sourced by this device only when:

- The loopback interface exists and has an IP address set.
- The loopback interface has an IP a subnet mask of /32
- The loopback interface is in the default VRF.

When these conditions are not met, the default nexthop is used.

For a detailed example of this feature refer to [“Setting an LSP for each VRF on a PE”](#) on page 732.

## Configuring OSPF sham links

OSPF can be used to propagate links between a Customer Edge device (CE) and a Provider Edge device (PE). Normal operation of this type of network assumes that the only connections between CEs pass through the provider network. However, when other links or routes between the CEs exist within the same area, problems can arise due to the OSPF preference for Intra-area links over Inter-area links.

Problems can be avoided by creating a virtual intra-area OSPF link between two PEs. This virtual link is called a sham link. When the OSPF instances exist in the same area, a sham link causes OSPF to treat the route through the service provider network as an intra-area link instead of an inter-area link.

---

### NOTE

When no backdoor link exists, no purpose exists for creating a sham link.

---

A cost is assigned to the sham link to help the OSPF network determine when to route over the sham link and when to route over the backdoor link. Because this virtual link (sham-link) appears as an intra-area link, the OSPF areas in which each of the PEs reside must be the same.

To configure an OSPF sham link, use the command for creating a sham link on both the local device and the remote PE device. Before attempting to create a sham link, note the following important information:

- For sham links to work, OSPF cannot be configured on the loopback interface in the applicable area.
- The redistribution of BGP to OSPF must be configured.
- A BGP VPN4 route to the loopback address must exist in both of the pertinent VRFs' routing tables.
- After the BGP VPN4 route exists in the VRF IP route table, the hello (and other) packet exchanges can go through for sham links even when the backdoor CE link does not exist.

The first example that follows illustrates the command for creating an OSPF sham link between PE devices. The command shows the command entry on one device with a source IP address of 10.2.2.1 and destination address of 10.2.2.2. The second example shows the complete configuration sequence (from both PE devices) and shows the command for viewing the sham link. (Refer to “[Displaying OSPF sham links](#)” on page 702 for the display contents.)

Use this command in the OSPF VRF configuration level.

```
Brocade(config-ospf-router)# area 1 sham-link 10.2.2.1 10.2.2.2 cost 10
```

Syntax: [no] area *area\_id* sham-link *source\_address* / *destination\_address* cost *cost\_value*

Possible values:

The *area\_id* variable is the ID number of the OSPF area assigned to the sham link being defined in this command.

The *source\_address* variable is the IP address of the source PE device.

The *destination\_address* variable is the IP address of the destination PE device.

The *cost\_value* variable sets the OSPF cost for sending packets over the sham link. This parameter can be a numeric value in the range 1 – 65535.

The following illustrates the configuration that takes place first on PE1 and then on PE2:

#### Sham link configuration on PE1

```
router ospf vrf CustomerA
area 1
area 1 sham-link 172.31.255.1 172.31.255.2 cost 1
redistribution bgp

interface loopback 2
vrf forwarding CustomerA
ip address 172.31.255.1/32
!
Brocade# show ip route vrf CustomerA 172.31.255.2
Type Codes - B:BGP D:Connected I:ISIS O:OSPF R:RIP S:Static; Cost - Dist/Metric
ISIS Codes - L1:Level-1 L2:Level-2
OSPF Codes - i:Inter Area 1:External Type 1 2:External Type 2 s:Sham Link
Destination Gateway Port Cost Type Uptime
1 172.31.255.2/32 172.30.255.48 lsp PE1-PE2 200/0 B 10m3s
```

#### Sham link configuration on PE2

```
router ospf vrf CustomerA
area 1
area 1 sham-link 172.31.255.2 172.31.255.1 cost 1
redistribution bgp

interface loopback 2
vrf forwarding CustomerA
ip address 172.31.255.2/32
!
Brocade# show ip route vrf CustomerA 172.31.255.1
Type Codes - B:BGP D:Connected I:ISIS S:Static R:RIP O:OSPF; Cost - Dist/Metric
Destination Gateway Port Cost Type
1 172.31.255.1/32 172.30.255.32 lsp PE2-PE1 200/0 B
```

## Configuring OSPF on a PE device to redistribute BGP-VPNv4 routes

To allow OSPF route exchange between a specified VRF on a PE device and its associated CE device, OSPF must be configured to redistribute BGP routes from the local AS as described in the following steps:

- [“Defining an OSPF instance in a VRF”](#)
- [“Creating an OSPF area in an OSPF VRF instance”](#)
- [“Creating a domain identifier in an OSPF VRF instance”](#)
- [“Assigning a domain tag in an OSPF VRF instance”](#)

### Defining an OSPF instance in a VRF

---

#### NOTE

This feature is not supported on Brocade NetIron CES or Brocade NetIron CER devices.

---

To define an OSPF instance in VRF VPN1, enter the following command at the OSPF Config level.

```
Brocade(config)# router ospf vrf VPN1
```

Syntax: [no] router ospf vrf *vrf\_name*

The *vrf\_name* value specifies the name of the VRF that the user is creating an instance of OSPF in.

### Creating an OSPF area in an OSPF VRF instance

---

**NOTE**

This features is not supported on Brocade NetIron CES or Brocade NetIron CER devices.

---

To create OSPF area 1 in OSPF VRF instance VPN1, enter the following command in the OSPF VRF Instance Config level.

```
Brocade(config-ospf-router)# area 1
```

Syntax: [no] area *area\_id*

The *area-id* value is the number of the OSPF area instance being created.

### Creating a domain identifier in an OSPF VRF instance

---

**NOTE**

This features is not supported on Brocade NetIron CES or Brocade NetIron CER devices.

---

To create OSPF domain identifier 10.0.0.100 in OSPF VRF instance VPN1, enter the following command in the OSPF VRF Instance Config level.

```
Brocade(config-ospf-router)# domain-id 10.0.0.100
```

Syntax: [no] domain-id *domain\_identifier*

The *domain\_identifier* value specifies an four-byte quantity.

### Assigning a domain tag in an OSPF VRF instance

---

**NOTE**

This features is not supported on Brocade NetIron CES or Brocade NetIron CER devices.

---

To assign OSPF domain tag 1200 in OSPF VRF instance VPN1, enter the following command in the OSPF VRF Instance Config level.

```
Brocade(config-ospf-router)# domain-tag 1200
```

Syntax: [no] domain-tag *domain\_tag*

The *domain\_tag* parameter specifies an arbitrary four-byte quantity. It is added in tag fields of Type-5 and Type-7 LSAs generated by a PE device for redistributed BGP-VPNv4 routes.



When not specified, the domain-tag value is calculated from the autonomous system number of the MPLS domain.

## Adding a static ARP entry for a VRF

---

### NOTE

This feature is not supported on Brocade NetIron CES or Brocade NetIron CER devices.

---

To configure a static ARP entry to a VRF enter the following command at the global configuration level.

```
Brocade(config)# arp vrf green 192.168.201.2 2001:DB8.52cf.e840 ethernet 6/3
```

Syntax: [no] arp vrf *vrf-name* / *ip-addr* / *mac-addr* ethernet *portnum*

The *vrf-name* parameter specifies the VRF the user is configuring a static ARP entry for.

The *ip-addr* parameter specifies the IP address of the device that has the MAC address of the entry.

The *mac-addr* parameter specifies the MAC address of the entry.

The ethernet *portnum* parameter specifies the port number attached to the device that has the MAC address of the entry.

To clear the ARP entries for a specified VRF, enter the following command.

```
Brocade# clear arp vrf blue
```

Syntax: clear arp vrf *vrf-name*

The *vrf-name* parameter specifies the VRF the user wants to clear all ARP entries for.

## Configuring IP TTL to MPLS TTL propagation in an IPVPN

The `vrf-propagate-ttl` and `label-propagate-ttl` commands configure the device to propagate TTL values in an IPVPN between the IP TTL value and the MPLS TTL value, as described in [Table 107](#) and [Table 108](#).

**TABLE 107** MPLS TTL propagation behavior with IPVPNs on Brocade NetIron XMR and Brocade MLX series.

With <code>vrf-propagate-ttl</code> and <code>label-propagate-ttl</code> configured	Without <code>vrf-propagate-ttl</code> and <code>label-propagate-ttl</code> configured (default)
<ul style="list-style-type: none"> <li>At the ingress device, the IP TTL value -1 is copied to both the tunnel label and the VC label.</li> <li>At the transit device, the tunnel label is decremented by 1.</li> <li>At the PHP device, the tunnel label TTL is set to the VC label and the tunnel label is popped.</li> <li>At the egress device, the IP TTL value is set to min (VC label TTL, IP TTL) and the VC label is popped. The IP TTL value is then decremented by 1 when it is being forwarded out of the device.</li> </ul>	<ul style="list-style-type: none"> <li>At the ingress device, both the tunnel TTL value and the VC label TTL value are set to 255.</li> <li>At the transit device, the tunnel label is decremented by 1.</li> <li>At the PHP device, the tunnel label TTL is popped without changing the VC label's TTL.</li> <li>At the egress device, the VC label is popped without copying the TTL value to the IP packet. The IP TTL value is then decremented by 1 when it is being forwarded out of the device.</li> </ul>

To configure a Brocade MLX Series or NetIron XMR Series device to propagate the IP TTL values to and from the MPLS TTL values in an IPVPN, enter the `vrf-propagate-ttl` and `label-propagate-ttl` commands, as shown in the following example.

```
Brocade(config)# router mpls
Brocade(config-mpls)# policy
Brocade(config-mpls-policy)# vrf-propagate-ttl
Brocade(config-mpls-policy)# label-propagate-ttl
```

Syntax: `[no] vrf-propagate-ttl`

Using the `[no]` option returns the condition to the default off state when the `vrf-propagate-ttl` command has been previously configured.

Syntax: `[no] label-propagate-ttl`

Using the `[no]` option returns the condition to the default off state when the `label-propagate-ttl` command has been previously configured.

**TABLE 108** MPLS TTL propagation behavior with IPVPNs on the Brocade NetIron CES and Brocade NetIron CER devices

NOTE: The no label-propagate-ttl and vrf-propagate-ttl commands are not supported on the NetIron CES and NetIron CER devices. The propagation of TTL from IP VPN to MPLS and from MPLS to IP VPN is controlled by propagate-ttl command.

With propagate-ttl configured (default)	With no propagate-ttl configured
<ul style="list-style-type: none"> <li>At the ingress device, the IP TTL value - 1 is copied to both the tunnel label and VC label.</li> <li>At the transit device, tunnel label TTL is decremented by 1.</li> <li>At the PHP device, the Tunnel label TTL is not decremented and Tunnel label TTL is set to the VC label TTL and the tunnel label is popped.</li> <li>At the egress device, the VC label TTL is set to IP TTL and the VC label is popped. The IP TTL value is then decremented by 1 when it is being forwarded out of the device.</li> </ul>	<ul style="list-style-type: none"> <li>At the ingress device, the IP TTL value - 1 is copied to VC label and the Tunnel label TTL is set to 255</li> <li>At the transit device, tunnel label TTL is decremented by 1.</li> <li>At the PHP device, the Tunnel label is popped without changing the VC label TTL.</li> <li>At the egress device, the VC label is popped without copying the TTL value to IP packet. The IP TTL value is then decremented by 1 when it is being forwarded out of the device.</li> </ul>

**NOTE**

When configuring no propagate-ttl on the NetIron CES and NetIron CER devices, at PHP, after the outermost Label is popped, the IP header TTL is decremented by 1, therefore the MPLS domain appear as 3 hops instead of 2 hops.

Brocade NetIron CES or Brocade NetIron CER devices by default propagates IP TTL values to and from MPLS TTL values in an IPVPN.

To disable TTL propagation, enter the no propagate-ttl command as shown in the following example.

```
Brocade(config)# router mpls
Brocade(config-mpls)# policy
Brocade(config-mpls-policy)# no propagate-ttl
```

Syntax: [no] propagate-ttl

When the no propagate-ttl is configured, enter the propagate-ttl command to return to the default behavior.

## Configuring a static route within the VRF context

---

### NOTE

This feature is not supported on Brocade NetIron CES or Brocade NetIron CER devices.

---

To configure a static route entry in a VRF, enter the following command.

```
Brocade(config)# vrf blue
Brocade(config-vrf-blue)# ip route 10.0.0.0 255.0.0.0 10.1.1.1
```

Syntax: [no] ip route *dest-ip-addr/mask-bits* | *next-hop-ip-addr* [*metric*]

The *dest-ip-addr* is the route's destination. The *dest-mask* is the network mask for the route's destination IP address. Alternatively, the user can specify the network mask information by entering a forward slash followed by the number of bits in the network mask. For example, the user can enter 10.0.0.0 10.255.255.0 as 10.0.0.0/.24. To configure a default route, enter 0.0.0.0 for *dest-ip-addr* and 0.0.0.0 for *dest-mask* (or 0 for the *mask-bits* when the user specifies the address in CIDR format). Specify the IP address of the default gateway using the *next-hop-ip-addr* parameter.

The *next-hop-ip-addr* is the IP address of the next-hop device (gateway) for the route.

The *metric* parameter specifies the cost of the route and can be a number from 1 – 16. The default is 1.

---

### NOTE

Note that the ip route command is executed at the "config-vrf" configuration level.

---

## Configuring an IP Static interface route across VRFs

The user can configure an IP Static interface route from one VRF to an IP interface in a different VRF. This is described in "[Configuring an IP Static interface route across VRFs](#)" on page 636.

## Configuring a backup Virtual Router for VRF using VRRPE

---

### NOTE

This feature is not supported on Brocade NetIron CES or Brocade NetIron CER devices.

---

With this release, the user can use the Virtual Router Redundancy Protocol Extended (VRRP-E) to provide a redundant connection to a VRF instance in a BGP or MPLS VPN. This is accomplished by assigning the VRRPE interface to a port that is also assigned to the VRF.

Configuration of VRRPE support for a VRF must be accomplished in the order described below.

1. Enable an interface
2. Enable VRF forwarding on the interface
3. Configure an IP address on the interface
4. Enable VRRP-E on the interface and set the VRID
5. Configure the IP address for the Virtual Router

## 6. Activate the virtual interface

### DANGER

*The user must configure a VRF on an interface before configuring a Virtual Router (VRRP-E) on it. When the user enables the Virtual Router before the user enables the VRF, the Virtual Router configuration is deleted.*

## Configuration example

The following example configures a backup virtual device using VRRPE for VRF “blue” on an Ethernet interface.

```
Brocade(config)# interface ethernet 3/1
Brocade(config-if-3/1)# vrf forwarding blue
Brocade(config-if-3/1)# ip address 10.2.3.1/8
Brocade(config-if-3/1)# ip vrrp-extended vrid 1
Brocade(config-if-3/1-vrid-1)# backup
Brocade(config-if-3/1-vrid-1)# ip-address 10.2.3.10
Brocade(config-if-3/1-vrid-1)# activate
```

## Ping and Traceroute for layer-3 VPNs

The Ping and Traceroute utilities have been enhanced in release 02.1.00 to help with management of Layer-3 VPNs:

### Ping VRF

#### NOTE

This features is not supported on Brocade NetIron CES or Brocade NetIron CER devices.

A VRF option has been added to the ping command. To use this option, enter the following command.

```
Brocade# ping vrf blue 10.10.10.10
```

Syntax: ping vrf *vrf-name* / *ip-address*

The *vrf-name* is the name of the VRF that the user wants to send a ping packet to.

The *ip-address* is the IP address containing the VRF to which the user wants to send a ping packet.

### Traceroute VRF

#### NOTE

This features is not supported on Brocade NetIron CES or Brocade NetIron CER devices.

A VRF option has been added to the traceroute command. To use this option, enter the following command.

```
Brocade# traceroute vrf blue 10.10.10.10
```

Syntax: `traceroute vrf vrf-name | ip-address`

The *vrf-name* is the name of the VRF that the user wants to conduct a traceroute to.

The *ip-address* is the IP address containing the VRF to which the user wants to conduct a traceroute.

### Generating traps for VRFs

The user can enable and disable SNMP traps for VRFs. VRF traps are enabled by default.

To enable VRF traps after they have been disabled, enter the following command.

```
Brocade(config)# snmp-server enable traps vrf
```

Syntax: `[no] snmp-server enable traps vrf`

Use the `[no]` form of the command to disable VRF traps.

## Displaying BGP or MPLS VPNv4 information

The user can display the following information about a BGP or MPLS VPN configuration on the device:

- “Displaying VPNv4 route information”
- “Displaying VPNv4 route information for a specified IP address”
- “Displaying VPNv4 attribute entries information”
- “Displaying VPNv4 dampened paths information”
- “Displaying VPNv4 filtered routes information”
- “Displaying VPNv4 Flap statistics information”
- “Displaying VPNv4 route distinguisher information”
- “Displaying VPNv4 neighbor information”
- “Displaying advertised routes for a specified VPNv4 neighbor”
- “Displaying attribute entries for a specified VPNv4 neighbor”
- “Displaying Flap statistics for a specified VPNv4 neighbor by IP address”
- “Displaying received ORFs information for a specified VPNv4 neighbor”
- “Displaying a specified neighbor VPNv4 routes”
- “Displaying routes summary for a specified VPNv4 neighbor”
- “Displaying summary route information”
- “Displaying the VPNv4 route table”
- “Displaying BGP VPNv4 MPLS tag information”

## Displaying VPNv4 route information

The user can display route information about VPNv4 routes by entering the following command at any level of the CLI.

```
Brocade# show ip bgp vpnv4
Total number of BGP VPNv4 Routes: 285
Status codes: s suppressed, d damped, h history, * valid, > best, i internal
Origin codes: i - IGP, e - EGP, ? - incomplete
  Network          Next Hop          Metric LocPrf Weight Path
Route Distinguisher: 1:1
*i 10.80.1.1/32     10.2.2.2          100    0      206 311 i
*i 10.80.1.2/32     10.2.2.2          100    0      206 311 i
*i 10.80.1.3/32     10.2.2.2          100    0      206 311 i
*i 10.80.1.4/32     10.2.2.2          100    0      206 311 i
*i 10.80.1.5/32     10.2.2.2          100    0      206 311 i
*i 10.80.1.6/32     10.2.2.2          100    0      206 311 i
*i 10.80.1.7/32     10.2.2.2          100    0      206 311 i
*i 10.80.1.8/32     10.2.2.2          100    0      206 311 i
*i 10.80.1.9/32     10.2.2.2          100    0      206 311 i
*i 10.80.1.10/32    10.2.2.2          100    0      206 311 i
*i 10.80.1.11/32    10.2.2.2          100    0      206 311 i
*i 10.80.1.12/32    10.2.2.2          100    0      206 311 i
*i 10.80.1.13/32    10.2.2.2          100    0      206 311 i
*i 10.80.1.14/32    10.2.2.2          100    0      206 311 i
*i 10.80.1.15/32    10.2.2.2          100    0      206 311 i
*i 10.80.1.16/32    10.2.2.2          100    0      206 311 i
*i 10.80.1.17/32    10.2.2.2          100    0      206 311 i
*i 10.80.1.18/32    10.2.2.2          100    0      206 311 i
--More--, next page: Space, next line: Return key, quit: Control-c
```

This display shows the following information.



**TABLE 109** BGP4 summary information

This field...	Displays...
Total number of BGP VPNv4 Routes:	The number of BGP VPNv4 routes.
Status or Status Codes	<p>The route's status, which can be one or more of the following:</p> <ul style="list-style-type: none"> <li>A – AGGREGATE. The route is an aggregate route for multiple networks.</li> <li>B – BEST. BGP4 has determined that this is the optimal route to the destination.</li> </ul> <p>NOTE: When the "b" is shown in lowercase, the software was not able to install the route in the IP route table.</p> <ul style="list-style-type: none"> <li>b – NOT-INSTALLED-BEST. The routes received from the neighbor are the best BGP4 routes to their destinations, but were nonetheless not installed in the IP route table due to the rib-route-limit (or RTM route table size limit) and always-propagate option to allow the propagating those best BGP routes.</li> <li>C – CONFED_EBGP. The route was learned from a neighbor in the same confederation and AS, but in a different sub-AS within the confederation.</li> <li>D – DAMPED. This route has been dampened (by the route dampening feature), and is currently unusable.</li> <li>H – HISTORY. Route dampening is configured for this route, and the route has a history of flapping and is unreachable now.</li> <li>I – INTERNAL. The route was learned through BGP4.</li> <li>L – LOCAL. The route originated on this device.</li> <li>M – MULTIPATH. BGP4 load sharing is enabled and this route was selected as one of the best ones to the destination. The best route among the multiple paths also is marked with "B".</li> </ul> <p>NOTE: When the "m" is shown in lowercase, the software was not able to install the route in the IP route table.</p> <ul style="list-style-type: none"> <li>S – SUPPRESSED. This route was suppressed during aggregation and thus is not advertised to neighbors.</li> </ul> <p>NOTE: This field appears only when the user enters the route option.</p>
Origin code	A character the display uses to indicate the route's origin. The origin code appears to the right of the AS path (Path field). The origin codes are described in the command's output.
Route Distinguisher	<p>A unique ID that is prepended on any address being routed or advertised from a VRF. The RD can be defined as either ASN-relative or IP address-relative as described:</p> <ul style="list-style-type: none"> <li>ASN-relative - Composed of the local ASN number followed by a ":" and a unique arbitrary number. For example: 3:6</li> <li>IP address-relative - Composed of the local IP address followed by a ":" and a unique arbitrary number.</li> </ul>
Network	IP address or mask of the destination network of the route.
Next Hop	The next-hop device for reaching the network from this device.
Metric	The value of the route's MED attribute. When the route does not have a metric, this field is blank.
LocPrf	The degree of preference for this route relative to other routes in the local AS. When the BGP4 algorithm compares route on the basis of local preference, the route with the higher local preference is chosen. The preference can have a value from 0-4294967295

**TABLE 109** BGP4 summary information (Continued)

This field...	Displays...
Weight	The value that this route associates with routes from a specific neighbor. For example, when the device receives routes to the same destination from two BGP4 neighbors, the device prefers the route from the neighbor with the larger weight.
Path	The routes AS path.

To clear the VPNv4 routing table, the user must enter the following commands.

```
Brocade# clear ip bgp vpnv4 neighbor all soft out
Brocade# clear ip bgp vpnv4 neighbor all soft in
```

Syntax: `clear ip bgp vpnv4 dampening / flap-statistics / neighbor`

The *dampening* parameter clears route flap dampening information.

The *flap-statistics* parameter clears route flap statistics.

The *neighbor* parameter clears BGP neighbors.

## Displaying VPNv4 route information for a specified IP address

To display only the routes to a specified network, enter a command such as the following at any level of the CLI.

```
Brocade# show ip bgp vpnv4 10.2.2.0/24
Route Distinguisher: 2:1
Number of BGP Routes matching display condition : 1
Status codes: s suppressed, d damped, h history, * valid, > best, i internal
Origin codes: i - IGP, e - EGP, ? - incomplete
   Network          Next Hop          Metric  LocPrf  Weight  Path
*i 10.2.2.0/24      10.4.4.4           1       100     0       ?
```

Syntax: `show ip bgp vpnv4 ip-addr`

The *address / mask* parameter specifies a particular route. When the user also uses the optional longer-prefixes parameter, then all statistics for routes that match the specified route or have a longer prefix than the specified route are displayed. For example, when the user specifies 10.157.0.0 longer, then all routes with the prefix 10.157 or that have a longer prefix (such as 10.157.22) are displayed.

The Number of BGP Routes matching display conditions field in this display is described in [Table 110](#) below. For information about all other fields in this display, refer to [Table 109](#).

**TABLE 110** Route flap dampening statistics

This field...	Displays...
Number of BGP Routes matching display conditions	The number of routes to the network specified as a parameter in the <code>show ip bgp vpnv4 <i>ip-addr</i></code> command.

## Displaying VPNv4 attribute entries information

The route-attribute entries table lists the sets of BGP VPNv4 attributes stored in the device memory. Each set of attributes is unique and can be associated with one or more routes. In fact, the device typically has fewer route attribute entries than routes. To display the route-attribute entries table at any level of the CLI.

```

Brocade# show ip bgp vpn attribute-entries
      Total number of BGP Attribute Entries: 55
1     Next Hop :0.0.0.0           Metric :0           Origin:IGP
      Originator:0.0.0.0         Cluster List:None
      Aggregator:AS Number :0     Router-ID:0.0.0.0   Atomic:None
      Local Pref:100             Communities:Internet
      Extended Community: RT 600:1
      AS Path :310
      Address: 0x24644060 Hash:45 (0x0100036e) Reference Counts: 0:0:30
2     Next Hop :0.0.0.0           Metric :0           Origin:IGP
      Originator:0.0.0.0         Cluster List:None
      Aggregator:AS Number :0     Router-ID:0.0.0.0   Atomic:None
      Local Pref:100             Communities:Internet
      Extended Community: RT 600:1
      AS Path :311
      Address: 0x24645f48 Hash:47 (0x01000370) Reference Counts: 0:0:30
3     Next Hop :2.2.2.2           Metric :0           Origin:IGP
      Originator:0.0.0.0         Cluster List:None
      Aggregator:AS Number :0     Router-ID:0.0.0.0   Atomic:None
      Local Pref:100             Communities:Internet
      Extended Community: RT 100:1 RT 200:1
      AS Path :206 311
      Address: 0x24645538 Hash:276 (0x0100087a) Reference Counts: 30:0:0
    
```

This display shows the following information.

**TABLE 111** BGP VPNv4 attribute entries

This field...	Displays...
Total number of BGP Attribute Entries	The number of routes contained in the BGP4 route table for this device.
Next Hop	The IP address of the next hop device for routes that have this set of attributes.
Metric	The cost of the routes that have this set of attributes.
Origin	<p>The source of the route information. The origin can be one of the following:</p> <ul style="list-style-type: none"> <li>EGP – The routes with this set of attributes came to BGP through EGP.</li> <li>IGP – The routes with this set of attributes came to BGP through IGP.</li> <li>INCOMPLETE – The routes came from an origin other than one of the above. For example, they may have been redistributed from OSPF or RIP.</li> </ul> <p>When BGP4 compares multiple routes to a destination to select the best route, IGP is preferred over EGP and both are preferred over INCOMPLETE.</p>
Originator	The originator of the route in a route reflector environment.

**TABLE 111** BGP VPNv4 attribute entries (Continued)

This field...	Displays...
Cluster List	The route-reflector clusters through which this set of attributes has passed.
Aggregator	Aggregator information: <ul style="list-style-type: none"> <li>AS Number shows the AS in which the network information in the attribute set was aggregated. This value applies only to aggregated routes and is otherwise 0.</li> </ul> Router-ID shows the device that originated this aggregator
Atomic	Whether the network information in this set of attributes has been aggregated and this aggregation has resulted in information loss. <ul style="list-style-type: none"> <li>TRUE – Indicates information loss has occurred</li> <li>FALSE – Indicates no information loss has occurred</li> </ul> NOTE: Information loss under these circumstances is a normal part of BGP4 and does not indicate an error.
Local Pref	The degree of preference for routes that use this set of attributes relative to other routes in the local AS.
Communities	The communities that routes with this set of attributes are in.
Extended Community	The extended community attributes.
AS Path	The ASs through which routes with this set of attributes have passed. The local AS is shown in parentheses.
Address	This is an internal value used for debugging purposes only.
Hash	This is an internal value used for debugging purposes only.
Reference Counts	This is an internal value used for debugging purposes only.

## Displaying VPNv4 dampened paths information

To view BGP VPNv4 paths suppressed due to dampening, enter the following command.

```
Brocade# show ip bgp vpnv4 dampened-paths
```

## Displaying VPNv4 filtered routes information

To view BGP VPNv4 filtered paths information, enter the following command.

```
Brocade# show ip bgp vpnv4 filtered-routes
```

## Displaying VPNv4 Flap statistics information

To display route flap statistics for all routes, enter the following command at any level of the CLI.

```
Brocade# show ip bgp vpnv4 flap-statistics ?
```

Syntax: show ip bgp vpnv4 flap-statistics [regular-expression *regular-expression* | address / mask [longer-prefixes] | neighbor *ip-addr* | filter-list *num...*]

The *address / mask* parameter specifies a particular route. When the user also uses the optional longer-prefixes parameter, then all statistics for routes that match the specified route or have a longer prefix than the specified route are displayed. For example, when the user specifies 10.157.0.0 longer, then all routes with the prefix 10.157 or that have a longer prefix (such as 10.157.22) are displayed.

The as-path-filter *num* parameter specifies one or more filters. Only the routes that have been dampened and that match the specified filter or filters are displayed.

The neighbor *ip-addr* parameter displays route flap dampening statistics only for routes learned from the specified neighbor. The user also can display route flap statistics for routes learned from a neighbor by entering the following command: show ip bgp neighbor *ip-addr* flap-statistics.

The regular-expression *regular-expression* parameter is a regular expression. The regular expressions are the same ones supported for BGP4 AS-path filters.

This display shows the following information.

**TABLE 112** Route flap dampening statistics

This field...	Displays...
Total number of flapping routes	The total number of routes in the device's BGP4 route table that have changed state and thus have been marked as flapping routes.

The user also can display all the dampened routes by entering the following command: show ip bgp dampened-paths.

## Displaying VPNv4 route distinguisher information

In order to view the BGP VPNv4 information for routes that contain a specific route distinguisher, enter the following command.

```

Brocade# show ip bgp vpnv4 rd 5:1 detail
Total number of BGP Routes: 34
Status A:AGGREGATE B:BEST b:NOT-INSTALLED-BEST C:CONFED_EBGP D:DAMPED
E:EBGP H:HISTORY I:IBGP L:LOCAL M:MULTIPATH S:SUPPRESSED
1 Prefix: 10.6.1.0/24, Status: I, Age: 16h9m21s
  NEXT_HOP: 10.4.4.4, Learned from Peer: 10.4.4.4 (1)
  Out-Label: 500000
  LOCAL_PREF: 100, MED: 2, ORIGIN: incomplete, Weight: 0
  AS_PATH:
    Extended Community: RT 300:1 RT 100:2 RT 100:3
2 Prefix: 10.40.1.1/32, Status: I, Age: 16h9m21s
  NEXT_HOP: 10.4.4.4, Learned from Peer: 10.4.4.4 (1)
  Out-Label: 500000
  LOCAL_PREF: 100, MED: 2, ORIGIN: incomplete, Weight: 0
  AS_PATH:
    Extended Community: RT 300:1 RT 100:2 RT 100:3
3 Prefix: 10.40.1.2/32, Status: I, Age: 16h9m21s
  NEXT_HOP: 10.4.4.4, Learned from Peer: 10.4.4.4 (1)
  Out-Label: 500000
  LOCAL_PREF: 100, MED: 2, ORIGIN: incomplete, Weight: 0
  AS_PATH:
    Extended Community: RT 300:1 RT 100:2 RT 100:3
    
```

**TABLE 113** BGP VPNv4 route distinguisher entries

This field...	Displays...
Total number of BGP Routes	The number of routes contained in the BGP4 route table that contain the specified RD.
Prefix	The network address and prefix.
Age	The last time an update occurred.
Learned from Peer	The IP address of the neighbor that sent this route.
Out-Label	MPLS label associated with this device.
MED	The route's metric. When the route does not have a metric, this field is blank.
AS Path	The route's AS path.
Extended Community	Extended community attributes associated with this device.

## Displaying VPNv4 neighbor information

To view BGP4 configuration information and statistics for VPNv4 neighbors, enter the following command.

```

3rccade# show ip bgp vpnv4 neighbors
Total number of BGP Neighbors: 2
1 IP Address: 10.2.2.2, AS: 1 (IBGP), RouterID: 10.2.2.2, VRF: default
State: ESTABLISHED, Time: 14h47m39s, KeepAliveTime: 60, HoldTime: 180
KeepAliveTimer Expire in 21 seconds, HoldTimer Expire in 141 seconds
UpdateSource: Loopback 1
RefreshCapability: Received
Messages:   Open   Update   KeepAlive   Notification   Refresh-Req
Sent       : 1     40      887         0               0
Received: 1     35      887         0               0
Last Update Time: NLRI      Withdraw      NLRI      Withdraw
                  Tx: ---      ---          Rx: ---      ---
Last Connection Reset Reason:Unknown
Notification Sent:      Unspecified
Notification Received: Unspecified
Neighbor NLRI Negotiation:
Peer Negotiated IPV4 unicast capability
Peer Negotiated VPNv4 unicast capability
Peer configured for IPV4 unicast Routes
Peer configured for VPNv4 unicast Routes
TCP Connection state: ESTABLISHED
TTL check: 0, value: 0, rcvd: 64
Byte Sent: 29202, Received: 28108
Local host: 3.3.3.3, Local Port: 179
Remote host: 2.2.2.2, Remote Port: 8079
ISentSeq: 7683960 SendNext: 7713163 TotUnAck: 0
TotSent: 29203 ReTrans: 0 UnAckSeq: 7713163
IRcvSeq: 256457831 RcvNext: 256485940 SendWnd: 65000
TotalRcv: 28109 DupliRcv: 0 RcvWnd: 65000
SendQue: 0 RcvQue: 0 CngstWnd: 1479

```

This example shows how to display information for VPNv4 neighbors. None of the other display options are used; thus, all of the information is displayed for all neighbors. The number in the far left column indicates the neighbor for which information is displayed. When the user lists information for multiple neighbors, this number makes the display easier to read.

The TCP statistics at the end of the display show status for the TCP session with the neighbor. Most of the fields show information stored in the Transmission Control Block (TCB) for the TCP session between the device and a neighbor. These fields are described in detail in section 3.2 of RFC 793, “Transmission Control Protocol Functional Specification”.

```
Syntax: show ip bgp vpnv4 neighbors [ip-addr [advertised-routes [detail [ip-addr/mask-bits]]]] |
[attribute-entries [detail]] | [flap-statistics] | [last-packet-with-error] | [received
extended-community] | [received prefix-filter] | [routes [best] | [detail [best] |
[not-installed-best] | [unreachable]]] | [rib-out-routes [ip-addr/mask-bits | ip-addr /
net-mask | detail]] | [routes-summary]]
```

The *vrf-name* parameter specifies the VRF whose neighbor the user wants to display information about.

The *ip-addr* option lets the user narrow the scope of the command to a specific neighbor. The display is the same as that for the command without this option except that it is limited to only the neighbor specified.

The *advertised-routes* option displays only the routes that the device has advertised to the neighbor during the current BGP4 neighbor session.

The *attribute-entries* option shows the attribute-entries associated with routes received from the neighbor.

The *flap-statistics* option shows the route flap statistics for routes received from or sent to the neighbor.

The *last-packet-with-error* option displays the last packet from the neighbor that contained an error. The packet's contents are displayed in decoded (human-readable) format.

The *received extended-community* option displays the received extended community Outbound Route Filters (ORFs) received from this neighbor.

The *received prefix-filter* option shows the Outbound Route Filters (ORFs) received from the neighbor. This option applies to cooperative route filtering.

The *routes* option lists the routes received in UPDATE messages from the neighbor. The user can specify the following additional options:

- *best* – Displays the routes received from the neighbor that the device selected as the best routes to their destinations.
- *not-installed-best* – Displays the routes received from the neighbor are the best BGP4 routes to their destinations, but were nonetheless not installed in the IP route table due to the *rib-route-limit* (or RTM route table size limit) and *always-propagate* option to allow the propagating those best BGP routes.
- *unreachable* – Displays the routes that are unreachable because the device does not have a valid RIP, OSPF, or static route to the next hop.
- *detail* – Displays detailed information for the specified routes. The user can refine the information request by also specifying one of the options above (*best*, *not-installed-best*, or *unreachable*).

The *rib-out-routes* option lists the route information base (RIB) for outbound routes. The user can display all the routes or specify a network address.

The *routes-summary* option displays a summary of the following information:

- Number of routes received from the neighbor
- Number of routes accepted by this device from the neighbor
- Number of routes this device filtered out of the UPDATES received from the neighbor and did not accept
- Number of routes advertised to the neighbor
- Number of attribute entries associated with routes received from or advertised to the neighbor

This display shows the following information.

**TABLE 114** BGP4 neighbor information

This field...	Displays...
IP Address	The IP address of the neighbor.
AS	The AS the neighbor is in.
EBGP or IBGP	Whether the neighbor session is an IBGP session, an EBGP session, or a confederation EBGP session: <ul style="list-style-type: none"> <li>• EBGP – The neighbor is in another AS.</li> <li>• EBGP_Confed – The neighbor is a member of another sub-AS in the same confederation.</li> <li>• IBGP – The neighbor is in the same AS.</li> </ul>
RouterID	The neighbor's ID.
Description	The description the user gave the neighbor when the user configured it on the device.
State	<p>The state of the session with the neighbor. The states are from the perspective of this device of the session, not the perspective of the neighbor. The state values are based on the BGP4 state machine values described in RFC 1771 and can be one of the following for each device:</p> <ul style="list-style-type: none"> <li>• IDLE – The BGP4 process is waiting to be started. Usually, enabling BGP4 or establishing a neighbor session starts the BGP4 process.</li> <li>• A minus sign (-) indicates that the session has gone down and the software is clearing or removing routes.</li> <li>• ADMND – The neighbor has been administratively shut down.</li> <li>• A minus sign (-) indicates that the session has gone down and the software is clearing or removing routes.</li> <li>• CONNECT – BGP4 is waiting for the connection process for the TCP neighbor session to be completed.</li> <li>• ACTIVE – BGP4 is waiting for a TCP connection from the neighbor.</li> </ul> <p>NOTE: When the state frequently changes between CONNECT and ACTIVE, there may be a problem with the TCP connection.</p> <ul style="list-style-type: none"> <li>• OPEN SENT – BGP4 is waiting for an Open message from the neighbor.</li> <li>• OPEN CONFIRM – BGP4 has received an OPEN message from the neighbor and is now waiting for either a KEEPALIVE or NOTIFICATION message. When the device receives a KEEPALIVE message from the neighbor, the state changes to Established. When the message is a NOTIFICATION, the state changes to Idle.</li> <li>• ESTABLISHED – BGP4 is ready to exchange UPDATE messages with the neighbor.</li> <li>• When there is more BGP data in the TCP receiver queue, a plus sign (+) is also displayed.</li> </ul> <p>NOTE: When the user displays information for the neighbor using the show ip bgp neighbor <i>ip-addr</i> command, the TCP receiver queue value is greater than 0.</p>



**TABLE 114** BGP4 neighbor information (Continued)

This field...	Displays...
Time	The amount of time this session has been in its current state.
KeepAliveTime	The KeepAliveTime, which specifies how often this device sends keep alive messages to the neighbor.
HoldTime	The hold time, which specifies how many seconds the device waits for a KEEPALIVE or UPDATE message from a BGP4 neighbor before deciding that the neighbor is dead.
PeerGroup	The name of the peer group the neighbor is in, when applicable.
Multihop-EBGP	Whether this option is enabled for the neighbor.
RouteReflectorClient	Whether this option is enabled for the neighbor.
SendCommunity	Whether this option is enabled for the neighbor.
NextHopSelf	Whether this option is enabled for the neighbor.
DefaultOriginate	Whether this option is enabled for the neighbor.
MaximumPrefixLimit	Lists the maximum number of prefixes the device accepts from this neighbor.
RemovePrivateAs	Whether this option is enabled for the neighbor.
RefreshCapability	Whether this device has received confirmation from the neighbor that the neighbor supports the dynamic refresh capability.
CooperativeFilteringCapability	Whether the neighbor is enabled for cooperative route filtering.
Distribute-list	Lists the distribute list parameters, when configured.
Filter-list	Lists the filter list parameters, when configured.
Prefix-list	Lists the prefix list parameters, when configured.
Route-map	Lists the route map parameters, when configured.
Messages Sent	The number of messages this device has sent to the neighbor. The display shows statistics for the following message types: <ul style="list-style-type: none"> <li>• Open</li> <li>• Update</li> <li>• KeepAlive</li> <li>• Notification</li> <li>• Refresh-Req</li> </ul>
Messages Received	The number of messages this device has received from the neighbor. The message types are the same as for the Message Sent field.
Last Update Time	Lists the last time updates were sent and received for the following: <ul style="list-style-type: none"> <li>• NLRIs</li> <li>• Withdraws</li> </ul>

**TABLE 114** BGP4 neighbor information (Continued)

This field...	Displays...
Last Connection Reset Reason	<p>The reason the previous session with this neighbor ended. The reason can be one of the following:</p> <ul style="list-style-type: none"> <li>• Reasons described in the BGP specifications:               <ul style="list-style-type: none"> <li>• Message Header Error</li> <li>• Connection Not Synchronized</li> <li>• Bad Message Length</li> <li>• Bad Message Type</li> <li>• OPEN Message Error</li> <li>• Unsupported Version Number</li> <li>• Bad Peer AS Number</li> <li>• Bad BGP Identifier</li> <li>• Unsupported Optional Parameter</li> <li>• Authentication Failure</li> <li>• Unacceptable Hold Time</li> <li>• Unsupported Capability</li> <li>• UPDATE Message Error</li> <li>• Malformed Attribute List</li> <li>• Unrecognized Well-known Attribute</li> <li>• Missing Well-known Attribute</li> <li>• Attribute Flags Error</li> <li>• Attribute Length Error</li> <li>• Invalid ORIGIN Attribute</li> <li>• Invalid NEXT_HOP Attribute</li> <li>• Optional Attribute Error</li> <li>• Invalid Network Field</li> <li>• Malformed AS_PATH</li> <li>• Hold Timer Expired</li> <li>• Finite State Machine Error</li> <li>• Rcv Notification</li> </ul> </li> </ul>
Last Connection Reset Reason (cont.)	<ul style="list-style-type: none"> <li>• Reasons specific to the implementation:               <ul style="list-style-type: none"> <li>• Reset All Peer Sessions</li> <li>• User Reset Peer Session</li> <li>• Port State Down</li> <li>• Peer Removed</li> <li>• Peer Shutdown</li> <li>• Peer AS Number Change</li> <li>• Peer AS Confederation Change</li> <li>• TCP Connection KeepAlive Timeout</li> <li>• TCP Connection Closed by Remote</li> <li>• TCP Data Stream Error Detected</li> </ul> </li> </ul>

**TABLE 114** BGP4 neighbor information (Continued)

This field...	Displays...
Notification Sent	<p>When the device receives a NOTIFICATION message from the neighbor, the message contains an error code corresponding to one of the following errors. Some errors have subcodes that clarify the reason for the error. Where applicable, the subcode messages are listed underneath the error code messages.</p> <ul style="list-style-type: none"> <li>• Message Header Error:                             <ul style="list-style-type: none"> <li>• Connection Not Synchronized</li> <li>• Bad Message Length</li> <li>• Bad Message Type</li> <li>• Unspecified</li> </ul> </li> <li>• Open Message Error:                             <ul style="list-style-type: none"> <li>• Unsupported Version</li> <li>• Bad Peer As</li> <li>• Bad BGP Identifier</li> <li>• Unsupported Optional Parameter</li> <li>• Authentication Failure</li> <li>• Unacceptable Hold Time</li> <li>• Unspecified</li> </ul> </li> <li>• Update Message Error:                             <ul style="list-style-type: none"> <li>• Malformed Attribute List</li> <li>• Unrecognized Attribute</li> <li>• Missing Attribute</li> <li>• Attribute Flag Error</li> <li>• Attribute Length Error</li> <li>• Invalid Origin Attribute</li> <li>• Invalid NextHop Attribute</li> <li>• Optional Attribute Error</li> <li>• Invalid Network Field</li> <li>• Malformed AS Path</li> <li>• Unspecified</li> </ul> </li> <li>• Hold Timer Expired</li> <li>• Finite State Machine Error</li> <li>• Cease</li> <li>• Unspecified</li> </ul>
Notification Received	See above.

**TABLE 114** BGP4 neighbor information (Continued)

This field...	Displays...
TCP Connection state	The state of the connection with the neighbor. The connection can have one of the following states: <ul style="list-style-type: none"> <li>• LISTEN – Waiting for a connection request.</li> <li>• SYN-SENT – Waiting for a matching connection request after having sent a connection request.</li> <li>• SYN-RECEIVED – Waiting for a confirming connection request acknowledgment after having both received and sent a connection request.</li> <li>• ESTABLISHED – Data can be sent and received over the connection. This is the normal operational state of the connection.</li> <li>• FIN-WAIT-1 – Waiting for a connection termination request from the remote TCP, or an acknowledgment of the connection termination request previously sent.</li> <li>• FIN-WAIT-2 – Waiting for a connection termination request from the remote TCP.</li> <li>• CLOSE-WAIT – Waiting for a connection termination request from the local user.</li> <li>• CLOSING – Waiting for a connection termination request acknowledgment from the remote TCP.</li> <li>• LAST-ACK – Waiting for an acknowledgment of the connection termination request previously sent to the remote TCP (which includes an acknowledgment of its connection termination request).</li> <li>• TIME-WAIT – Waiting for enough time to pass to be sure the remote TCP received the acknowledgment of its connection termination request.</li> <li>• CLOSED – There is no connection state.</li> </ul>
Byte Sent	The number of bytes sent.
Byte Received	The number of bytes received.
Local host	The IP address of the device.
Local port	The TCP port the device is using for the BGP4 TCP session with the neighbor.
Remote host	The IP address of the neighbor.
Remote port	The TCP port the neighbor is using for the BGP4 TCP session with the device.
SentSeq	The initial send sequence number for the session.
SendNext	The next sequence number to be sent.
TotUnAck	The number of sequence numbers sent by the device that have not been acknowledged by the neighbor.
TotSent	The number of sequence numbers sent to the neighbor.
ReTrans	The number of sequence numbers that the device retransmitted because they were not acknowledged.
UnAckSeq	The current acknowledged sequence number.
IRcvSeq	The initial receive sequence number for the session.
RcvNext	The next sequence number expected from the neighbor.
SendWnd	The size of the send window.

**TABLE 114** BGP4 neighbor information (Continued)

This field...	Displays...
TotalRcv	The number of sequence numbers received from the neighbor.
DupliRcv	The number of duplicate sequence numbers received from the neighbor.
RcvWnd	The size of the receive window.
SendQue	The number of sequence numbers in the send queue.
RcvQue	The number of sequence numbers in the receive queue.
CngstWnd	The number of times the window has changed.

## Displaying advertised routes for a specified VPNv4 neighbor

To display the routes the device has advertised to a specific VPNv4 neighbor, enter a command such as the following at any level of the CLI.

```

Brocade# show ip bgp vpnv4 neighbors 10.2.2.2 advertised-routes
      There are 231 routes advertised to neighbor 10.2.2.2
Status A:AGGREGATE B:BEST b:NOT-INSTALLED-BEST E:EBGP I:IBGP L:LOCAL
      Prefix           Next Hop           Metric           LocPrf           Weight           Status
1      10.100.100.30/32  0.0.0.0
      AS_PATH: 310
2      10.100.100.29/32  0.0.0.0           100              0               BE
      AS_PATH: 310
3      10.100.100.28/32  0.0.0.0           100              0               BE
      AS_PATH: 310
4      10.100.100.27/32  0.0.0.0           100              0               BE
      AS_PATH: 310
5      10.100.100.26/32  0.0.0.0           100              0               BE
      AS_PATH: 310
6      10.100.100.25/32  0.0.0.0           100              0               BE
      AS_PATH: 310
7      10.100.100.24/32  0.0.0.0           100              0               BE
      AS_PATH: 310
8      10.100.100.23/32  0.0.0.0           100              0               BE
      AS_PATH: 310
    
```

Syntax: show ip bgp vpnv4 neighbor *ip-addr* advertised-routes [*ip-addr/prefix*]

For information about the fields in this display, refer to [Table 109](#) on page 641.

## Displaying attribute entries for a specified VPNv4 neighbor

The neighbor attribute entries table lists the sets of BGP4 attributes stored in device memory. Each set of attributes is unique and can be associated with one or more routes. In fact, the device typically has fewer route attribute entries than routes. To display the route-attribute entries table for a specified VPNv4 neighbor, enter the following command.

## 6 Displaying BGP or MPLS VPNv4 information

```

Brocade# show ip bgp vpnv4 neighbors 10.2.2.2 attribute-entries
Total number of BGP Attribute Entries: 35
1      Next Hop :0.0.0.0          Metric :0          Origin:IGP
      Originator:0.0.0.0          Cluster List:None
      Aggregator:AS Number :0      Router-ID:0.0.0.0  Atomic:None
      Local Pref:100              Communities:Internet
      Extended Community: RT 600:1
      AS Path :310
      Address: 0x247194b0 Hash:45 (0x0100036e) Reference Counts: 0:0:30
2      Next Hop :0.0.0.0          Metric :0          Origin:IGP
      Originator:0.0.0.0          Cluster List:None
      Aggregator:AS Number :0      Router-ID:0.0.0.0  Atomic:None
      Local Pref:100              Communities:Internet
      Extended Community: RT 600:1
      AS Path :311
      Address: 0x2471a480 Hash:47 (0x01000370) Reference Counts: 0:0:30

```

Syntax: show ip bgp vpnv4 neighbors *IPaddress* attribute-entries

The *IPaddress* variable is the IP address of the neighbor whose attribute entries the user wants to display.

This display shows the following information.

**TABLE 115** BGP4 route-attribute entries information

This field...	Displays...
Total number of BGP Attribute Entries	The number attribute entries in the BGP4 route table for this device.
Next Hop	The IP address of the next hop device for routes with this set of attributes.
Metric	The cost of the routes that have this set of attributes.
Origin	<p>The source of the route information. The origin can be one of the following:</p> <ul style="list-style-type: none"> <li>EGP – The routes with this set of attributes came to BGP through EGP.</li> <li>IGP – The routes with this set of attributes came to BGP through IGP.</li> <li>INCOMPLETE – The routes came from an origin other than one of the above. For example, they may have been redistributed from OSPF or RIP.</li> </ul> <p>When BGP4 compares multiple routes to a destination to select the best route, IGP is preferred over EGP and both are preferred over INCOMPLETE.</p>
Originator	The originator of the route in a route reflector environment.
Cluster List	The route-reflector clusters through which this set of attributes has passed.
Aggregator	<p>Aggregator information:</p> <ul style="list-style-type: none"> <li>AS Number shows the AS in which the network information in the attribute set was aggregated. This value applies only to aggregated routes and is otherwise 0.</li> <li>Router-ID shows the device that originated this aggregator.</li> </ul>
Router ID	

**TABLE 115** BGP4 route-attribute entries information (Continued)

This field...	Displays...
Atomic	Whether the network information in this set of attributes has been aggregated and this aggregation has resulted in information loss: <ul style="list-style-type: none"> <li>• TRUE – Indicates information loss has occurred</li> <li>• FALSE – Indicates no information loss has occurred</li> </ul> NOTE: Information loss under these circumstances is a normal part of BGP4 and does not indicate an error.
Local Pref	The degree of preference for routes that use this set of attributes relative to other routes in the local AS.
Communities	The communities that routes with this set of attributes are in.
Extended Community	The extended community attributes of the device.
AS Path	The ASs through which routes with this set of attributes have passed. The local AS is shown in parentheses.
Address	This field is for internal Brocade debugging purposes only.
Hash	This field is for internal Brocade debugging purposes only.
Reference Counts	This field is for internal Brocade debugging purposes only.

## Displaying Flap statistics for a specified VPNv4 neighbor by IP address

To display flap-statistics for routes learned from the specified VRF neighbor, enter the following command at any level of the CLI.

```
R3-2547(config)# show ip bgp vpnv4 neighbors 10.2.2.2 flap-statistics
Total number of flapping routes: 0
```

Syntax: `show ip bgp vpnv4 vrf-name neighbor ip-addr flap-statistics`

The *vrf-name* parameter specifies the VPNv4 neighbor the user wants to display flap-statistics for.

The *address / mask* parameter specifies a particular route. When the user also uses the optional *longer-prefixes* parameter, then all statistics for routes that match the specified route or have a longer prefix than the specified route are displayed. For example, when the user specifies `10.157.0.0 longer`, then all routes with the prefix `10.157` or that have a longer prefix (such as `10.157.22`) are displayed.

This display shows the following information.

**TABLE 116** Route flap dampening statistics

This field...	Displays...
Total number of flapping routes	The total number of routes in the device's BGP4 route table that have changed state and thus have been marked as flapping routes.

## Displaying received ORFs information for a specified VPNv4 neighbor

To view BGP4 configuration information and statistics for a specified VPNv4 neighbor, enter the following command.

```
Brocade# show ip bgp vpn neighbors 10.2.2.2 received extended-community
Extended-community ORF capability was not negotiated
No Prefix filter ORF received from neighbor 10.2.2.2!
```

## Displaying a specified neighbor VPNv4 routes

To view the route table for a specified neighbor, enter the following command.

```
Brocade# show ip bgp vpnv4 neighbors 10.10.2.3 routes
    There are 30 accepted routes from neighbor 10.10.2.3
    Searching for matching routes, use ^C to quit...
    Status A:AGGREGATE B:BEST b:NOT-INSTALLED-BEST C:CONFED_EBGP D:DAMPED
           E:EBGP H:HISTORY I:IBGP L:LOCAL M:MULTIPATH S:SUPPRESSED F:FILTERED
    Prefix      Next Hop      Metric      LocPrf      Weight      Status
  1  10.100.100.1/32  10.10.2.3      100          0          BE
      AS_PATH: 310
  2  10.100.100.2/32  10.10.2.3      100          0          BE
      AS_PATH: 310
  3  10.100.100.3/32  10.10.2.3      100          0          BE
      AS_PATH: 310
  4  10.100.100.4/32  10.10.2.3      100          0          BE
      AS_PATH: 310
  5  10.100.100.5/32  10.10.2.3      100          0          BE
      AS_PATH: 310
  6  10.100.100.6/32  10.10.2.3      100          0          BE
      AS_PATH: 310
  7  10.100.100.7/32  10.10.2.3      100          0          BE
      AS_PATH: 310
  8  10.100.100.8/32  10.10.2.3      100          0          BE
      AS_PATH: 310
  9  10.100.100.9/32  10.10.2.3      100          0          BE
      AS_PATH: 310
```

Syntax: show ip bgp vpnv4 neighbors *ip-addr* routes

For information about the fields in this display, refer to [Table 109](#) on page 641.

## Displaying the best routes

To display the routes received from a specific neighbor that are the “best” routes to their destinations, enter a command such as the following at any level of the CLI.

```
Brocade# show ip bgp vpnv4 neighbor 192.168.4.211 routes best
```

Syntax: show ip bgp vpnv4 neighbor *ip-addr* routes best

For information about the fields in this display, refer to [Table 109](#) on page 641.



## Displaying the best routes that were nonetheless not installed in the IP route table

To display the BGP4 routes received from a specific neighbor that are the “best” routes to their destinations but are not installed in the device’s IP route table, enter a command such as the following at any level of the CLI.

```
Brocade# show ip bgp vpnv4 neighbor 192.168.4.211 routes not-installed-best
```

Each of the displayed routes is a valid path to its destination, but the device received another path from a different source (such as OSPF, RIP, or a static route) that has a lower administrative distance. The device always selects the path with the lowest administrative distance to install in the IP route table.

Syntax: `show ip bgp vpnv4 neighbor ip-addr routes not-installed-best`

For information about the fields in this display, refer to [Table 109](#) on page 641.

## Displaying the routes whose destinations are unreachable

To display BGP4 routes whose destinations are unreachable using any of the BGP4 paths in the BGP4 route table, enter a command such as the following at any level of the CLI.

```
Brocade# show ip bgp vpnv4 neighbor 192.168.4.211 routes unreachable
```

Syntax: `show ip bgp vpnv4 neighbor ip-addr routes unreachable`

For information about the fields in this display, refer to [Table 109](#) on page 641.

## Displaying the Adj-RIB-Out for a VRF neighbor

To display the device’s current BGP4 Routing Information Base (Adj-RIB-Out) for a specific VRF neighbor and a specific destination network, enter a command such as the following at any level of the CLI.

## 6 Displaying BGP or MPLS VPNv4 information

```
Brocade# show ip bgp vpnv4 neighbor 10.10.2.3 rib-out-routes
There are 154 RIB_out routes for neighbor 10.10.2.3
Status A:AGGREGATE B:BEST b:NOT-INSTALLED-BEST E:EBGP I:IBGP L:LOCAL
Prefix          Next Hop          Metric      LocPrf      Weight      Status
1      10.100.101.30/32  10.10.3.3                100         0          BE
    AS_PATH: 311
2      10.100.101.29/32  10.10.3.3                100         0          BE
    AS_PATH: 311
3      10.100.101.28/32  10.10.3.3                100         0          BE
    AS_PATH: 311
4      10.100.101.27/32  10.10.3.3                100         0          BE
    AS_PATH: 311
5      10.100.101.26/32  10.10.3.3                100         0          BE
    AS_PATH: 311
6      10.100.101.25/32  10.10.3.3                100         0          BE
    AS_PATH: 311
7      10.100.101.24/32  10.10.3.3                100         0          BE
    AS_PATH: 311
8      10.100.101.23/32  10.10.3.3                100         0          BE
    AS_PATH: 311
9      10.100.101.22/32  10.10.3.3                100         0          BE
    AS_PATH: 311
10     10.100.101.21/32  10.10.3.3                100         0          BE
    AS_PATH: 311
```

The Adj-RIB-Out contains the routes that the device either has most recently sent to the VRF neighbor or is about to send to the neighbor.

Syntax: `show ip bgp vpnv4 neighbor ip-addr rib-out-routes [ip-addr/prefix]`

For information about the fields in this display, refer to [Table 109](#) on page 641.

### Displaying routes summary for a specified VPNv4 neighbor

To view the route table for a specified VPNv4 neighbor, enter the following command.

```
Brocade# show ip bgp vpnv4 neighbor 10.10.2.3 routes-summary
1 IP Address: 10.10.2.3
Routes Accepted/Installed:30, Filtered/Kept:0, Filtered:0
  Routes Selected as BEST Routes:30
    BEST Routes not Installed in IP Forwarding Table:0
  Unreachable Routes (no IGP Route for NEXTHOP):0
  History Routes:0
NLRI Received in Update Message:30, Withdraws:0 (0), Replacements:0
  NLRI Discarded due to
    Maximum Prefix Limit:0, AS Loop:0
    Invalid Nexthop:0, Invalid Nexthop Address:0.0.0.0
    Duplicated Originator_ID:0, Cluster_ID:0
Routes Advertised:154, To be Sent:0, To be Withdrawn:0
NLRI Sent in Update Message:154, Withdraws:0, Replacements:0
Peer Out of Memory Count for:
  Receiving Update Messages:0, Accepting Routes(NLRI):0
  Attributes:0, Outbound Routes(RIB-out):0 Outbound Routes Holder:0
```

This display shows the following information.

**TABLE 117** BGP4 route summary information for a VPNv4 neighbor

This field...	Displays...
Routes Accepted or Installed	How many routes the has received from the neighbor during the current BGP4 session: <ul style="list-style-type: none"> <li>• Filtered – Indicates how many of the received routes the device filtered and did not accept.</li> <li>• Filtered or kept – Indicates how many of the received routes the device did not accept or install because they were denied by filters.</li> </ul>
Routes Selected as BEST Routes	The number of routes that the device selected as the best routes to their destinations.
BEST Routes not Installed in IP Forwarding Table	The number of routes received from the neighbor that are the best BGP4 routes to their destinations, but were nonetheless not installed in the IP route table because the device received better routes from other sources (such as OSPF, RIP, or static IP routes).
Unreachable Routes	The number of routes received from the neighbor that are unreachable because the device does not have a valid RIP, OSPF, or static route to the next hop.
History Routes	The number of routes that are down but are being retained for route flap dampening purposes.
NLRIs Received in Update Message	The number of routes received in Network Layer Reachability (NLRI) format in UPDATE messages: <ul style="list-style-type: none"> <li>• Withdraws – The number of withdrawn routes the device has received.</li> <li>• Replacements – The number of replacement routes the device has received.</li> </ul>
NLRIs Discarded due to	Indicates the number of times the device discarded an NLRI for the neighbor due to the following reasons: <ul style="list-style-type: none"> <li>• Maximum Prefix Limit – The configured maximum prefix amount had been reached.</li> <li>• AS Loop – An AS loop occurred. An AS loop occurs when the BGP4 AS-path attribute contains the local AS number.</li> <li>• Invalid Nexthop – The next hop value was not acceptable.</li> <li>• Duplicated Originator_ID – The originator ID was the same as the local device ID.</li> <li>• Cluster_ID – The cluster list contained the local cluster ID, or contained the local device ID (see above) when the cluster ID is not configured.</li> </ul>
Routes Advertised	The number of routes the device has advertised to this neighbor: <ul style="list-style-type: none"> <li>• To be Sent – The number of routes the device has queued to send to this neighbor.</li> <li>• To be Withdrawn – The number of NLRIs for withdrawing routes the device has queued up to send to this neighbor in UPDATE messages.</li> </ul>

**TABLE 117** BGP4 route summary information for a VPNv4 neighbor (Continued)

This field...	Displays...
NLRIs Sent in Update Message	The number of NLRIs for new routes the has sent to this neighbor in UPDATE messages: <ul style="list-style-type: none"> <li>• Withdraws – The number of routes the device has sent to the neighbor to withdraw.</li> <li>• Replacements – The number of routes the device has sent to the neighbor to replace routes the neighbor already has.</li> </ul>
Peer Out of Memory Count for	Statistics for the times the device has run out of BGP4 memory for the neighbor during the current BGP4 session: <ul style="list-style-type: none"> <li>• Receiving Update Messages – The number of times UPDATE messages were discarded because there was no memory for attribute entries.</li> <li>• Accepting Routes (NLRI) – The number of NLRIs discarded because there was no memory for NLRI entries. This count is not included in the Receiving Update Messages count.</li> <li>• Attributes – The number of times there was no memory for BGP4 attribute entries.</li> <li>• Outbound Routes (RIB-out) – The number of times there was no memory to place a “best” route into the neighbor’s route information base (Adj-RIB-Out) for routes to be advertised.</li> </ul>

## Displaying summary route information

To display summary statistics for all the VPNv4 routes in the device’s BGP route table, enter a command such as the following at any level of the CLI.

```
Brocade# show ip bgp vpnv4 routes summary
Total number of BGP routes (NLRIs) Installed      : 184
Distinct BGP destination networks                 : 184
Filtered bgp routes for soft reconfig             : 0
Routes originated by this router                  : 4
Routes selected as BEST routes                    : 184
BEST routes not installed in IP forwarding table  : 0
Unreachable routes (no IGP route for NEXTHOP)    : 0
IBGP routes selected as best routes               : 90
EBGP routes selected as best routes               : 90
```

Syntax: show ip bgp vpnv4 routes summary

This display shows the following information.

**TABLE 118** BGP VPNv4 summary route information

This field...	Displays...
Total number of BGP VPNv4 routes (NLRIs) Installed	The number of BGP VPNv4 routes the device has installed in the BGP route table.
Distinct BGP VPNv4 destination networks	The number of destination networks the installed routes represent. The BGP route table can have multiple routes to the same network.
Filtered BGP VPNv4 routes for soft reconfig	The number of route updates received from soft-reconfigured neighbors or peer groups that have been filtered out but retained.

**TABLE 118** BGP VPNv4 summary route information (Continued)

This field...	Displays...
Routes originated by this device	The number of VPNv4 routes in the BGP route table that this device originated.
Routes selected as BEST routes	The number of VPNv4 routes in the BGP route table that this device has selected as the best routes to the destinations.
BEST routes not installed in IP forwarding table	The number of BGP VPNv4 routes that are the best BGP VPNv4 routes to their destinations but were not installed in the IP route table because the device received better routes from other sources.
Unreachable routes (no IGP route for NEXTHOP)	The number of routes in the BGP route table whose destinations are unreachable because the next hop is unreachable.
IBGP routes selected as best routes	The number of "best" routes in the BGP VPNv4 route table that are IBGP routes.
EBGP routes selected as best routes	The number of "best" routes in the BGP VPNv4 route table that are EBGP routes.

## Displaying the VPNv4 route table

When the user wants to view all the VPNv4 routes in a network, the user can display the BGP VPNv4 table using the following method.

To view the BGP VPNv4 route table, enter the following command.

```
Brocade# show ip bgp vpnv4 routes
Total number of BGP Routes: 288
Status A:AGGREGATE B:BEST b:NOT-INSTALLED-BEST C:CONFED_EBGP D:DAMPED
      E:EBGP H:HISTORY I:IBGP L:LOCAL M:MULTIPATH S:SUPPRESSED
      Prefix      Next Hop      Metric      LocPrf      Weight      Status
Route Distinguisher: 4:1
1      10.6.1.0/24    10.2.2.2      3           100         0           I
      AS_PATH:
2      10.8.1.0/24    10.2.2.2      2           100         0           I
      AS_PATH:
3      10.40.1.1/32   10.2.2.2      4           100         0           I
      AS_PATH:
4      10.40.1.2/32   10.2.2.2      4           100         0           I
      AS_PATH:
5      10.40.1.3/32   10.2.2.2      4           100         0           I
      AS_PATH:
```

Syntax: show ip bgp vpnv4 routes [*ip-addr*] | *num* | [*age secs*] | [*as-path-access-list num*] | [*as-path-filter num, num,...*] | [*best*] | [*cidr-only*] | [*community num* | *no-export* | *no-advertise* | *internet* | *local-as*] | [*community-access-list num*] | *community-filter num* | *community-reg-expression regular-expression* | *detail* | *local* | *neighbor ip-addr* [*next-hop ip-addr*] | [*no-best*] | [*not-installed-best*] | [*prefix-list string*] | [*regular-expression regular-expression*] | [*route-map map-name*] | [*summary*] | [*unreachable*]

The *ip-addr* option displays routes for a specific network.

The *num* option specifies the table entry with which the user wants the display to start. For example, when the user wants to list entries beginning with table entry 100, specify 100.

The `age secs` parameter displays only the routes that have been received or updated more recently than the number of seconds the user specifies.

The `as-path-access-list num` parameter filters the display using the specified AS-path ACL.

The `best` parameter displays the routes received from the neighbor that the device selected as the best routes to their destinations.

The `cidr-only` option lists only the routes whose network masks do not match their class network length.

The `community` option lets the user display routes for a specific community. The user can specify `local-as`, `no-export`, `no-advertise`, `internet`, or a private community number. The user can specify the community number as either two five-digit integer values of up to 1– 65535, separated by a colon (for example, 12345:6789) or a single long integer value.

The `community-access-list num` parameter filters the display using the specified community ACL.

The `community-filter` option lets the user display routes that match a specific community filter.

The `community regular-expression regular-expression` option filters the display based on a specified community regular expression.

The `local` option....

The `neighbor ip-addr` option displays the number of accepted routes from the specified BGP neighbor.

The `detail` option lets the user display more details about the routes. The user can refine the request by also specifying one of the other display options after the `detail` keyword.

The `next-hop ip-addr` option displays the routes for a given next-hop IP address.

The `no-best` option displays the routes for which none of the routes to a given prefix were selected as the best route.

The `not-installed-best` option displays the routes received from the neighbor are the best BGP4 routes to their destinations, but were nonetheless not installed in the IP route table due to the `rib-route-limit` (or RTM route table size limit) and `always-propagate` option to allow the propagating those best BGP routes.

The `prefix-list string` parameter filters the display using the specified IP prefix list.

The `regular-expression regular-expression` option filters the display based on a regular expression.

The `route-map map-name` parameter filters the display using the specified route map. The software displays only the routes that match the match statements in the route map. The software disregards the route map's set statements.

The `summary` option displays summary information for the routes.

The `unreachable` option displays the routes that are unreachable because the device does not have a valid RIP, OSPF, or static route to the next hop.

For information about the fields in this display, refer to [Table 109](#) on page 641. The fields in this display also appear in the `show ip bgp vpnv4` display.

### Displaying the best VPNv4 routes

To display all the VPNv4 routes in the BGP VPNv4 route table for the Brocade device that are the best routes to their destinations, enter a command such as the following at any level of the CLI.

```

Brocade(config-bgp-router)# show ip bgp vpnv4 routes best
Total number of BGP Routes: 28
Status A:AGGREGATE B:BEST b:NOT-INSTALLED-BEST C:CONFED_EBGP D:DAMPED
      E:EBGP H:HISTORY I:IBGP L:LOCAL M:MULTIPATH S:SUPPRESSED F:FILTERED
      Prefix           Next Hop           Metric           LocPrf           Weight Status
Route Distinguisher: 4:1
1      3.0.0.0/8          192.168.4.106           100              0              BE
      AS_PATH: 65001 4355 701 80
2      4.0.0.0/8          192.168.4.106           100              0              BE
      AS_PATH: 65001 4355 1
3      4.60.212.0/22      192.168.4.106           100              0              BE
      AS_PATH: 65001 4355 701 1 189
4      6.0.0.0/8          192.168.4.106           100              0              BE
      AS_PATH: 65001 4355 3356 7170 1455
5      9.2.0.0/16         192.168.4.106           100              0              BE
      AS_PATH: 65001 4355 701

```

Syntax: show ip bgp vpnv4 routes best

For information about the fields in this display, refer to [Table 109](#) on page 641.

## Displaying best VPNv4 routes that are not in the IP route table

When the Brocade device has multiple routes to a destination, the device selects the route with the lowest administrative distance as the best route, and installs that route in the IP route table.

To display the BGP4 routes that are the “best” routes to their destinations but are not installed in the device’s IP route table, enter a command such as the following at any level of the CLI.

```

Brocade(config-bgp-router)# show ip bgp vpnv4 routes not-installed-best
Searching for matching routes, use ^C to quit...
Status A:AGGREGATE B:BEST b:NOT-INSTALLED-BEST C:CONFED_EBGP D:DAMPED
      E:EBGP H:HISTORY I:IBGP L:LOCAL M:MULTIPATH S:SUPPRESSED F:FILTERED
Route Distinguisher: 4:1
      Prefix           Next Hop           Metric           LocPrf           Weight Status
1      10.0.0.0/8          192.168.4.106           100              0              BE
      AS_PATH: 65001 4355 701 80

```

Each of the displayed routes is a valid path to its destination, but the device received another path from a different source that has a lower administrative distance. The device always selects the path with the lowest administrative distance to install in the IP route table.

Syntax: show ip bgp vpnv4 routes not-installed-best

For information about the fields in this display, refer to [Table 109](#) on page 641.

---

### NOTE

To display the routes that the Brocade device has selected as the best routes and installed in the IP route table, display the IP route table using the show ip route command.

---

## Displaying VPNv4 routes with unreachable destinations

To display BGP VPNv4 routes whose destinations are unreachable using any of the paths in the BGP route table, enter a command such as the following at any level of the CLI.

```
Brocade(config-bgp-router)# show ip bgp vpnv4 routes unreachable
Searching for matching routes, use ^C to quit...
Status A:AGGREGATE B:BEST b:NOT-INSTALLED-BEST C:CONFED_EBGP D:DAMPED
      E:EBGP H:HISTORY I:IBGP L:LOCAL M:MULTIPATH S:SUPPRESSED F:FILTERED
Route Distinguisher: 4:1
  Prefix          Next Hop          Metric      LocPrf      Weight Status
1   10.0.0.0/8      192.168.4.106      100         0           BE
   AS_PATH: 65001 4355 701 80
```

Syntax: show ip bgp vpnv4 routes unreachable

For information about the fields in this display, refer to [Table 109](#) on page 641.

## Displaying information for a specific VPNv4 route

To display BGP VPNv4 route information by specifying an IP address within the network, enter a command such as the following at any level of the CLI.

```
Brocade# show ip bgp vpnv4 routes 10.8.1.0/24
Route Distinguisher: 4:1
Number of BGP Routes matching display condition : 1
Status A:AGGREGATE B:BEST b:NOT-INSTALLED-BEST C:CONFED_EBGP D:DAMPED
      E:EBGP H:HISTORY I:IBGP L:LOCAL M:MULTIPATH S:SUPPRESSED F:FILTERED
  Prefix          Next Hop          Metric      LocPrf      Weight Status
1   10.8.1.0/24    10.2.2.2          2           100         0           I
   AS_PATH:
Route Distinguisher: 5:1
Number of BGP Routes matching display condition : 1
Status A:AGGREGATE B:BEST b:NOT-INSTALLED-BEST C:CONFED_EBGP D:DAMPED
      E:EBGP H:HISTORY I:IBGP L:LOCAL M:MULTIPATH S:SUPPRESSED F:FILTERED
  Prefix          Next Hop          Metric      LocPrf      Weight Status
1   10.8.1.0/24    10.4.4.4          3           100         0           I
   AS_PATH:
```

Syntax: show ip bgp vpnv4 routes *ip-addr/prefix* [*longer-prefixes*] | *ip-addr*

For information about the fields in this display, refer to [Table 109](#) on page 641 and [Table 119](#).

## Displaying VPNv4 route details

Here is an example of the information displayed when the user uses the detail option. In this example, the information for one route is shown.



```

Brocade# show ip bgp vpnv4 routes detail
Total number of BGP Routes: 288
Status A:AGGREGATE B:BEST b:NOT-INSTALLED-BEST C:CONFED_EBGP D:DAMPED
      E:EBGP H:HISTORY I:IBGP L:LOCAL M:MULTIPATH S:SUPPRESSED
Route Distinguisher: 4:1
1     Prefix: 10.6.1.0/24, Status: I, Age: 15h36m10s
      NEXT_HOP: 10.2.2.2, Learned from Peer: 10.2.2.2 (1)
      Out-Label: 500000
      LOCAL_PREF: 100, MED: 3, ORIGIN: incomplete, Weight: 0
      AS_PATH:
      Extended Community: RT 300:1 OSPF DOMAIN ID:0.0.0.0 OSPF RT 0:1:0 OSPF ROUTER ID:
    
```

For information about the fields in this display, refer to [Table 109](#) on page 641 and [Table 119](#).

**TABLE 119** BGP VPNv4 route information

This field...	Displays...
Prefix	The network address and prefix.
Age	The last time an update occurred.
Learned from Peer	The IP address of the neighbor that sent this route.
Local_Pref	The degree of preference for this route relative to other routes in the local AS. When the BGP4 algorithm compares routes on the basis of local preferences, the route with the higher local preference is chosen. The preference can have a value from 0 – 4294967295.
MED	The route’s metric. When the route does not have a metric, this field is blank.
Origin	The source of the route information. The origin can be one of the following: <ul style="list-style-type: none"> <li>• EGP – The routes with this set of attributes came to BGP through EGP.</li> <li>• IGP – The routes with this set of attributes came to BGP through IGP.</li> <li>• INCOMPLETE – The routes came from an origin other than one of the above. For example, they may have been redistributed from OSPF or RIP.</li> </ul> When BGP4 compares multiple routes to a destination to select the best route, IGP is preferred over EGP and both are preferred over INCOMPLETE.
Atomic	Whether network information in this route has been aggregated and this aggregation has resulted in information loss. NOTE: Information loss under these circumstances is a normal part of BGP4 and does not indicate an error.
Aggregation ID	The router that originated this aggregator.
Aggregation AS	The AS in which the network information was aggregated. This value applies only to aggregated routes and is otherwise 0.
Originator	The originator of the route in a route reflector environment.
Cluster List	The route-reflector clusters through which this route has passed.
Learned From	The IP address of the neighbor from which the Brocade device learned the route.
Admin Distance	The administrative distance of the route.
Adj_RIB_out	The number of neighbors to which the route has been or is advertised. This is the number of times the route has been selected as the best route and placed in the Adj-RIB-Out (outbound queue) for a BGP4 neighbor.
Communities	The communities the route is in.
Extended Community	The device’s extended community attributes.

## Displaying BGP VPNv4 MPLS tag information

To display the MPLS in-label and out-label tags in the VPNv4 routes, enter a command such as the following at any level of the CLI.

```
Brocade# show ip bgp vpnv4 tags
      Network          Next Hop          In-Label  Out-Label
Route Distinguisher: 1:1
 10.80.1.1/32         10.2.2.2          -          500003
 10.80.1.2/32         10.2.2.2          -          500003
 10.80.1.3/32         10.2.2.2          -          500003
 10.80.1.4/32         10.2.2.2          -          500003
 10.80.1.5/32         10.2.2.2          -          500003
 10.80.1.6/32         10.2.2.2          -          500003
 10.80.1.7/32         10.2.2.2          -          500003
 10.80.1.8/32         10.2.2.2          -          500003
```

The In-Label and Out-Label fields in this display are described in [Table 120](#) below. For information about all other fields in this display, refer to [Table 109](#) on page 641.

**TABLE 120** Route flap dampening statistics

This field...	Displays...
In-Label	Local assigned MPLS label value.
Out-Label	Learned MPLS label value

## Displaying BGP or MPLS VRF information

The user can display the following information about a BGP or MPLS VRF configuration on the device:

- “Displaying VRF route information”
- “Displaying VRF route information for a specified IP address”
- “Displaying attribute entries information for a specified VRF”
- “Displaying dampened paths information for a specified VRF”
- “Displaying filtered routes information for a specified VRF”
- “Displaying Flap statistics information for a specified VRF”
- “Displaying BGP neighbor information for a specified VRF”
- “Displaying advertised routes for a specified VRF neighbor”
- “Displaying neighbor attribute entries for a specified VRF”
- “Displaying flap statistics for a specified VRF neighbor by IP address”
- “Displaying received ORF information for a specified VRF neighbor”
- “Displaying received routes for a specified VRF neighbor”
- “Displaying a specified VRF neighbor routes”
- “Displaying VPNv4 routes summary for a specified VRF neighbor”

- “Displaying summary route information for a specified VRF”
- “Displaying a VRFs BGP4 route table”

## Displaying VRF route information

The user can display information about BGP routes that are contained within a specified VRF route table by entering a command such as the following at any level of the CLI.

```
Brocade# show ip bgp vrf red
Total number of BGP Routes: 285
Status codes: s suppressed, d damped, h history, * valid, > best, i internal
Origin codes: i - IGP, e - EGP, ? - incomplete
   Network          Next Hop  RD      Metric LocPrf Weight Path
*i 10.80.1.1/32      10.2.2.2 1:1     100    0      206 311 i
*i 10.80.1.2/32      10.2.2.2 1:1     100    0      206 311 i
*i 10.80.1.3/32      10.2.2.2 1:1     100    0      206 311 i
*i 10.80.1.4/32      10.2.2.2 1:1     100    0      206 311 i
*i 10.80.1.5/32      10.2.2.2 1:1     100    0      206 311 i
--More--, next page: Space, next line: Return key, quit: Control-c
```

This display shows the following information.

**TABLE 121** BGP4 summary information

This field...	Displays...
Total number of BGP Routes:	The number of BGP routes.
Status or Status Codes	<p>The route’s status, which can be one or more of the following:</p> <ul style="list-style-type: none"> <li>• A – AGGREGATE. The route is an aggregate route for multiple networks.</li> <li>• B – BEST. BGP4 has determined that this is the optimal route to the destination.</li> </ul> <p>NOTE: When the “b” is shown in lowercase, the software was not able to install the route in the IP route table.</p> <ul style="list-style-type: none"> <li>• b – NOT-INSTALLED-BEST. The routes received from the neighbor are the best BGP4 routes to their destinations, but were nonetheless not installed in the IP route table due to the rib-route-limit (or RTM route table size limit) and always-propagate option to allow the propagating those best BGP routes.</li> <li>• C – CONFED_EBGP. The route was learned from a neighbor in the same confederation and AS, but in a different sub-AS within the confederation.</li> <li>• D – DAMPED. This route has been dampened (by the route dampening feature), and is currently unusable.</li> <li>• H – HISTORY. Route dampening is configured for this route, and the route has a history of flapping and is unreachable now.</li> <li>• I – INTERNAL. The route was learned through BGP4.</li> <li>• L – LOCAL. The route originated on this Brocade device.</li> <li>• M – MULTIPATH. BGP4 load sharing is enabled and this route was selected as one of the best ones to the destination. The best route among the multiple paths also is marked with “B”.</li> </ul> <p>NOTE: When the “m” is shown in lowercase, the software was not able to install the route in the IP route table.</p> <ul style="list-style-type: none"> <li>• S – SUPPRESSED. This route was suppressed during aggregation and thus is not advertised to neighbors.</li> </ul> <p>NOTE: This field appears only when the user enters the route option.</p>

**TABLE 121** BGP4 summary information (Continued)

This field...	Displays...
Origin code	A character the display uses to indicate the route's origin. The origin code appears to the right of the AS path (Path field). The origin codes are described in the command's output.
RD	The Route Distinguisher. A unique ID that is prepended on any address being routed or advertised from a VRF. The RD can be defined as either ASN-relative or IP address-relative as described: <ul style="list-style-type: none"> <li>• ASN-relative - Composed of the local ASN number followed by a ":" and a unique arbitrary number. For example: 3:6</li> <li>• IP address-relative - Composed of the local IP address followed by a ":" and a unique arbitrary number.</li> </ul>
Network	IP address or mask of the destination network of the route.
Next Hop	The next-hop router for reaching the network from this Brocade device.
Metric	The value of the route's MED attribute. When the route does not have a metric, this field is blank.
LocPrf	The degree of preference for this route relative to other routes in the local AS. When the BGP4 algorithm compares route on the basis of local preference, the route with the higher local preference is chosen. The preference can have a value from 0-4294967295
Weight	The value that this route associates with routes from a specific neighbor. For example, when the Brocade device receives routes to the same destination from two BGP4 neighbors, the device prefers the route from the neighbor with the larger weight.
Path	The routes AS path.

To clear the route table for a specific BGP VRF, enter the following command.

```
Brocade# clear ip bgp vrf green
```

Syntax: `clear ip bgp vrf vrf-name [dampening | flap-statistics | local | neighbor | routes | traffic]`

The dampening parameter clears route flap dampening statistics.

The flap-statistics parameter clears route flap statistics.

The local parameter clears local information.

The neighbor parameter clears the BGP neighbor.

The routes parameter clears the BGP routes.

The traffic parameter clears BGP traffic counters.

## Displaying VRF route information for a specified IP address

To display only the routes to a specified network, enter a command such as the following at any level of the CLI.

```

Brocade# show ip bgp vrf green 10.2.2.0/24
Route Distinguisher: 2:1
Number of BGP Routes matching display condition : 1
Status codes: s suppressed, d damped, h history, * valid, > best, i internal
Origin codes: i - IGP, e - EGP, ? - incomplete
      Network          Next Hop          Metric LocPrf  Weight  Path
*i  10.2.2.0/24        10.4.4.4           1      100     0       ?
      Route is advertised to 2 peers:
          10.4.4.4(1)          10.2.2.2(1)
    
```

Syntax: show ip bgp vrf *vrf-name* / *ip-addr*

The *address / mask* parameter specifies a particular route. When the user also uses the optional longer-prefixes parameter, then all statistics for routes that match the specified route or have a longer prefix than the specified route are displayed. For example, when the user specifies 10.157.0.0 longer, then all routes with the prefix 10.157 or that have a longer prefix (such as 10.157.22) are displayed.

The Number of BGP Routes matching display conditions field in this display is described in [Table 122](#) below. For information about all other fields in this display, refer to [Table 121](#).

**TABLE 122** VRF route information

This field...	Displays...
Number of BGP Routes matching display conditions	The number of routes to the network specified as a parameter in the show ip bgp vpv4 <i>ip-addr</i> command.

## Displaying attribute entries information for a specified VRF

The route-attribute entries table lists the sets of BGP attributes stored in the Brocade device’s memory. Each set of attributes is unique and can be associated with one or more routes. In fact, the device typically has fewer route attribute entries than routes. To display the route-attribute entries table at any level of the CLI.

## 6 Displaying BGP or MPLS VRF information

```

Brocade# show ip bgp vrf green attribute-entries
Total number of BGP Attribute Entries: 26
1   Next Hop :192.168.201.2      Metric :1                      Origin:INCOMP
    Originator:0.0.0.0          Cluster List:None
    Aggregator:AS Number :0      Router-ID:0.0.0.0             Atomic:None
    Local Pref:100              Communities:Internet
    AS Path :
    Address: 0x247017ec Hash:279 (0x03000000) Reference Counts: 1:0:0
2   Next Hop :192.168.201.2      Metric :2                      Origin:INCOMP
    Originator:0.0.0.0          Cluster List:None
    Aggregator:AS Number :0      Router-ID:0.0.0.0             Atomic:None
    Local Pref:100              Communities:Internet
    AS Path :
    Address: 0x247016d8 Hash:280 (0x03000000) Reference Counts: 1:0:0
3   Next Hop :192.168.201.2      Metric :3                      Origin:INCOMP
    Originator:0.0.0.0          Cluster List:None
    Aggregator:AS Number :0      Router-ID:0.0.0.0             Atomic:None
    Local Pref:100              Communities:Internet
    AS Path :
    Address: 0x24701900 Hash:281 (0x03000000) Reference Count

```

This display shows the following information.

**TABLE 123** BGP VPNv4 attribute entries

This field...	Displays...
Total number of BGP Attribute Entries	The number of routes contained in this Brocade device's BGP4 route table.
Next Hop	The IP address of the next hop router for routes that have this set of attributes.
Metric	The cost of the routes that have this set of attributes.
Origin	<p>The source of the route information. The origin can be one of the following:</p> <ul style="list-style-type: none"> <li>EGP – The routes with this set of attributes came to BGP through EGP.</li> <li>IGP – The routes with this set of attributes came to BGP through IGP.</li> <li>INCOMPLETE – The routes came from an origin other than one of the above. For example, they may have been redistributed from OSPF or RIP.</li> </ul> <p>When BGP4 compares multiple routes to a destination to select the best route, IGP is preferred over EGP and both are preferred over INCOMPLETE.</p>
Originator	The originator of the route in a route reflector environment.
Cluster List	The route-reflector clusters through which this set of attributes has passed.
Aggregator	<p>Aggregator information:</p> <ul style="list-style-type: none"> <li>AS Number shows the AS in which the network information in the attribute set was aggregated. This value applies only to aggregated routes and is otherwise zero.</li> </ul> <p>Router-ID shows the router that originated this aggregator.</p>

**TABLE 123** BGP VPNv4 attribute entries (Continued)

This field...	Displays...
Atomic	Whether the network information in this set of attributes has been aggregated and this aggregation has resulted in information loss: <ul style="list-style-type: none"> <li>• TRUE – Indicates information loss has occurred</li> <li>• FALSE – Indicates no information loss has occurred</li> </ul> NOTE: Information loss under these circumstances is a normal part of BGP4 and does not indicate an error.
Local Pref	The degree of preference for routes that use this set of attributes relative to other routes in the local AS.
Communities	The communities that routes with this set of attributes are in.
AS Path	The ASs through which routes with this set of attributes have passed. The local AS is shown in parentheses.
Address	This field is used for internal Brocade debugging purposes only.
Hash	This field is used for internal Brocade debugging purposes only.
Reference Counts	This field is used for internal Brocade debugging purposes only.

## Displaying dampened paths information for a specified VRF

To view BGP VPNv4 paths suppressed due to dampening for a specified VRF, enter the following command.

```
Brocade# show ip bgp vrf green dampened-paths
```

## Displaying filtered routes information for a specified VRF

To view BGP VPNv4 filtered paths information for a specified VRF, enter the following command.

```
Brocade# show ip bgp vrf green filtered-routes
```

## Displaying Flap statistics information for a specified VRF

To display flap statistics for a specified VRF, enter the following command at any level of the CLI.

```
Brocade# show ip bgp vrf green flap-statistics
```

Syntax: `show ip bgp flap-statistics [regular-expression regular-expression | address / mask [longer-prefixes] | neighbor ip-addr | filter-list num...]`

The *address / mask* parameter specifies a particular route. When the user also uses the optional longer-prefixes parameter, then all statistics for routes that match the specified route or have a longer prefix than the specified route are displayed. For example, when the user specifies 10.157.0.0 longer, then all routes with the prefix 10.157 or that have a longer prefix (such as 10.157.22) are displayed.

The as-path-filter *num* parameter specifies one or more filters. Only the routes that have been dampened and that match the specified filter or filters are displayed.

The neighbor *ip-addr* parameter displays route flap dampening statistics only for routes learned from the specified neighbor. The user also can display route flap statistics for routes learned from a neighbor by entering the following command: `show ip bgp neighbor ip-addr flap-statistics`.

The regular-expression *regular-expression* parameter is a regular expression. The regular expressions are the same ones supported for BGP4 AS-path filters.

This display shows the following information.

**TABLE 124** Route flap dampening statistics

This field...	Displays...
Total number of flapping routes	The total number of routes in the device's BGP4 route table that have changed state and thus have been marked as flapping routes.

The user can also display all the dampened routes by entering the following command:

```
show ip bgp dampened-paths.
```

## Displaying BGP neighbor information for a specified VRF

To view BGP4 configuration information and statistics for a specified VRF's neighbors, enter the following command.

```
Brocade# show ip bgp vrf black neighbor
Total number of BGP Neighbors: 3
1 IP Address: 10.10.2.3, AS: 206 (EBGP), RouterID: 10.10.2.3, VRF: black
State: ESTABLISHED, Time: 14h31m51s, KeepAliveTime: 60, HoldTime: 180
KeepAliveTimer Expire in 4 seconds, HoldTimer Expire in 135 seconds
Messages:      Open      Update  KeepAlive  Notification  Refresh-Req
Sent          : 1         4       871        0             0
Received: 1         1       873        0             0
Last Update Time: NLRI      Withdraw      NLRI      Withdraw
                  Tx: ---      ---          Rx: ---      ---
Last Connection Reset Reason:Unknown
Notification Sent:      Unspecified
Notification Received: Unspecified
Neighbor NLRI Negotiation:
Peer Negotiated IPV4 unicast capability
Peer configured for IPV4 unicast Routes
TCP Connection state: ESTABLISHED
TTL check: 0, value: 0, rcvd: 64
Byte Sent: 17543, Received: 16814
Local host: 10.10.2.1, Local Port: 8135
Remote host: 10.10.2.3, Remote Port: 179
ISentSeq: 3301937 SendNext: 3319481 TotUnAck: 0
TotSent: 17544 ReTrans: 0 UnAckSeq: 3319481
IRcvSeq: 466270178 RcvNext: 466286993 SendWnd: 6432
TotalRcv: 16815 DupliRcv: 285 RcvWnd: 65000
SendQue: 0 RcvQue: 0 CngstWnd: 1456
```

This example shows how to display information for a specific VRFs neighbor. None of the other display options are used; thus, all of the information is displayed for the neighbor. The number in the far left column indicates the neighbor for which information is displayed. When the user lists information for multiple neighbors, this number makes the display easier to read.



The TCP statistics at the end of the display show status for the TCP session with the neighbor. Most of the fields show information stored in the device's Transmission Control Block (TCB) for the TCP session between the Brocade device and its neighbor. These fields are described in detail in section 3.2 of RFC 793, "Transmission Control Protocol Functional Specification".

```
Syntax: show ip bgp vrf vrf-name neighbors [ip-addr [advertised-routes [detail [ip-addr
[/mask-bits>]]]] | [attribute-entries [detail]] | [flap-statistics] | [last-packet-with-error] |
[received prefix-filter] |[received-routes] | [routes [best] | [detail [best] |
[not-installed-best] | [unreachable]]] | [rib-out-routes [ip-addr/mask-bits | ip-addr /
net-mask | detail]] | [routes-summary]]
```

The *vrf-name* parameter specifies the VRF whose neighbor the user wants to display information about.

The *ip-addr* option lets the user narrow the scope of the command to a specific neighbor. The display is the same as that for the command without this option except that it is limited to only the neighbor specified.

The *advertised-routes* option displays only the routes that the Brocade device has advertised to the neighbor during the current BGP4 neighbor session.

The *attribute-entries* option shows the attribute-entries associated with routes received from the neighbor.

The *flap-statistics* option shows the route flap statistics for routes received from or sent to the neighbor.

The *last-packet-with-error* option displays the last packet from the neighbor that contained an error. The packet's contents are displayed in decoded (human-readable) format.

The *received extended-community* option

The *received prefix-filter* option shows the Outbound Route Filters (ORFs) received from the neighbor. This option applies to cooperative route filtering.

The *received-routes* option lists all the route information received in route updates from the neighbor because the soft reconfiguration feature was enabled.

The *routes* option lists the routes received in UPDATE messages from the neighbor. The user can specify the following additional options:

- *best* – Displays the routes received from the neighbor that the Brocade device selected as the best routes to their destinations.
- *not-installed-best* – Displays the routes received from the neighbor are the best BGP4 routes to their destinations, but were nonetheless not installed in the IP route table due to the *rib-route-limit* (or RTM route table size limit) and *always-propagate* option to allow the propagating those best BGP routes.
- *unreachable* – Displays the routes that are unreachable because the Brocade device does not have a valid RIP, OSPF, or static route to the next hop.
- *detail* – Displays detailed information for the specified routes. The user can refine the information request by also specifying one of the options above (*best*, *not-installed-best*, or *unreachable*).

The *rib-out-routes* option lists the route information base (RIB) for outbound routes. The user can display all the routes or specify a network address.

The routes-summary option displays a summary of the following information:

- Number of routes received from the neighbor
- Number of routes accepted by this Brocade device from the neighbor
- Number of routes this Brocade device filtered out of the UPDATES received from the neighbor and did not accept
- Number of routes advertised to the neighbor
- Number of attribute entries associated with routes received from or advertised to the neighbor.

This display shows the following information.

**TABLE 125** BGP4 neighbor information

This field...	Displays...
IP Address	The IP address of the neighbor.
AS	The AS the neighbor is in.
EBGP or IBGP	Whether the neighbor session is an IBGP session, an EBGP session, or a confederation EBGP session: <ul style="list-style-type: none"> <li>• EBGP – The neighbor is in another AS.</li> <li>• EBGP_Confed – The neighbor is a member of another sub-AS in the same confederation.</li> <li>• IBGP – The neighbor is in the same AS.</li> </ul>
RouterID	The neighbor's router ID.
Description	The description the user gave the neighbor when the user configured it on the Brocade device.

**TABLE 125** BGP4 neighbor information (Continued)

This field...	Displays...
State	<p>The state of the Brocade device's session with the neighbor. The states are from this Brocade device's perspective of the session, not the neighbor's perspective. The state values are based on the BGP4 state machine values described in RFC 1771 and can be one of the following for each router:</p> <ul style="list-style-type: none"> <li>• IDLE – The BGP4 process is waiting to be started. Usually, enabling BGP4 or establishing a neighbor session starts the BGP4 process.                             <ul style="list-style-type: none"> <li>• A minus sign (-) indicates that the session has gone down and the software is clearing or removing routes.</li> </ul> </li> <li>• ADMND – The neighbor has been administratively shut down.                             <ul style="list-style-type: none"> <li>• A minus sign (-) indicates that the session has gone down and the software is clearing or removing routes.</li> </ul> </li> <li>• CONNECT – BGP4 is waiting for the connection process for the TCP neighbor session to be completed.</li> <li>• ACTIVE – BGP4 is waiting for a TCP connection from the neighbor.</li> </ul> <p>NOTE: When the state frequently changes between CONNECT and ACTIVE, there may be a problem with the TCP connection.</p> <ul style="list-style-type: none"> <li>• OPEN SENT – BGP4 is waiting for an Open message from the neighbor.</li> <li>• OPEN CONFIRM – BGP4 has received an OPEN message from the neighbor and is now waiting for either a KEEPALIVE or NOTIFICATION message. When the Brocade device receives a KEEPALIVE message from the neighbor, the state changes to Established. When the message is a NOTIFICATION, the state changes to Idle.</li> <li>• ESTABLISHED – BGP4 is ready to exchange UPDATE messages with the neighbor.                             <ul style="list-style-type: none"> <li>• When there is more BGP data in the TCP receiver queue, a plus sign (+) is also displayed.</li> </ul> </li> </ul> <p>NOTE: When the user displays information for the neighbor using the show ip bgp neighbor &lt;ip-addr&gt; command, the TCP receiver queue value is greater than 0.</p>
Time	The amount of time this session has been in its current state.
KeepAliveTime	The keep alive time, which specifies how often this Brocade device sends keep alive messages to the neighbor.
HoldTime	The hold time, which specifies how many seconds the Brocade device waits for a KEEPALIVE or UPDATE message from a BGP4 neighbor before deciding that the neighbor is dead.
PeerGroup	The name of the peer group the neighbor is in, when applicable.
Multihop-EBGP	Whether this option is enabled for the neighbor.
RouteReflectorClient	Whether this option is enabled for the neighbor.
SendCommunity	Whether this option is enabled for the neighbor.
NextHopSelf	Whether this option is enabled for the neighbor.
DefaultOriginate	Whether this option is enabled for the neighbor.
MaximumPrefixLimit	Lists the maximum number of prefixes the Brocade device accepts from this neighbor.
RemovePrivateAs	Whether this option is enabled for the neighbor.
RefreshCapability	Whether this Brocade device has received confirmation from the neighbor that the neighbor supports the dynamic refresh capability.
CooperativeFilteringCapability	Whether the neighbor is enabled for cooperative route filtering.

**TABLE 125** BGP4 neighbor information (Continued)

This field...	Displays...
Distribute-list	Lists the distribute list parameters, when configured.
Filter-list	Lists the filter list parameters, when configured.
Prefix-list	Lists the prefix list parameters, when configured.
Route-map	Lists the route map parameters, when configured.
Messages Sent	The number of messages this Brocade device has sent to the neighbor. The display shows statistics for the following message types: <ul style="list-style-type: none"> <li>• Open</li> <li>• Update</li> <li>• KeepAlive</li> <li>• Notification</li> <li>• Refresh-Req</li> </ul>
Messages Received	The number of messages this Brocade device has received from the neighbor. The message types are the same as for the Message Sent field.
Last Update Time	Lists the last time updates were sent and received for the following: <ul style="list-style-type: none"> <li>• NLRIs</li> <li>• Withdraws</li> </ul>
Last Connection Reset Reason	The reason the previous session with this neighbor ended. The reason can be one of the following: <ul style="list-style-type: none"> <li>• Reasons described in the BGP specifications: <ul style="list-style-type: none"> <li>• Message Header Error</li> <li>• Connection Not Synchronized</li> <li>• Bad Message Length</li> <li>• Bad Message Type</li> <li>• OPEN Message Error</li> <li>• Unsupported Version Number</li> <li>• Bad Peer AS Number</li> <li>• Bad BGP Identifier</li> <li>• Unsupported Optional Parameter</li> <li>• Authentication Failure</li> <li>• Unacceptable Hold Time</li> <li>• Unsupported Capability</li> <li>• UPDATE Message Error</li> <li>• Malformed Attribute List</li> <li>• Unrecognized Well-known Attribute</li> <li>• Missing Well-known Attribute</li> <li>• Attribute Flags Error</li> <li>• Attribute Length Error</li> <li>• Invalid ORIGIN Attribute</li> <li>• Invalid NEXT_HOP Attribute</li> <li>• Optional Attribute Error</li> <li>• Invalid Network Field</li> <li>• Malformed AS_PATH</li> <li>• Hold Timer Expired</li> <li>• Finite State Machine Error</li> <li>• Rcv Notification</li> </ul> </li> </ul>

**TABLE 125** BGP4 neighbor information (Continued)

This field...	Displays...
Last Connection Reset Reason (cont.)	<ul style="list-style-type: none"> <li>• Reasons specific to the implementation:                             <ul style="list-style-type: none"> <li>• Reset All Peer Sessions</li> <li>• User Reset Peer Session</li> <li>• Port State Down</li> <li>• Peer Removed</li> <li>• Peer Shutdown</li> <li>• Peer AS Number Change</li> <li>• Peer AS Confederation Change</li> <li>• TCP Connection KeepAlive Timeout</li> <li>• TCP Connection Closed by Remote</li> <li>• TCP Data Stream Error Detected</li> </ul> </li> </ul>
Notification Sent	<p>When the Brocade device receives a NOTIFICATION message from the neighbor, the message contains an error code corresponding to one of the following errors. Some errors have subcodes that clarify the reason for the error. Where applicable, the subcode messages are listed underneath the error code messages.</p> <ul style="list-style-type: none"> <li>• Message Header Error:                             <ul style="list-style-type: none"> <li>• Connection Not Synchronized</li> <li>• Bad Message Length</li> <li>• Bad Message Type</li> <li>• Unspecified</li> </ul> </li> <li>• Open Message Error:                             <ul style="list-style-type: none"> <li>• Unsupported Version</li> <li>• Bad Peer As</li> <li>• Bad BGP Identifier</li> <li>• Unsupported Optional Parameter</li> <li>• Authentication Failure</li> <li>• Unacceptable Hold Time</li> <li>• Unspecified</li> </ul> </li> <li>• Update Message Error:                             <ul style="list-style-type: none"> <li>• Malformed Attribute List</li> <li>• Unrecognized Attribute</li> <li>• Missing Attribute</li> <li>• Attribute Flag Error</li> <li>• Attribute Length Error</li> <li>• Invalid Origin Attribute</li> <li>• Invalid NextHop Attribute</li> <li>• Optional Attribute Error</li> <li>• Invalid Network Field</li> <li>• Malformed AS Path</li> <li>• Unspecified</li> </ul> </li> <li>• Hold Timer Expired</li> <li>• Finite State Machine Error</li> <li>• Cease</li> <li>• Unspecified</li> </ul>
Notification Received	See above.

**TABLE 125** BGP4 neighbor information (Continued)

This field...	Displays...
TCP Connection state	The state of the connection with the neighbor. The connection can have one of the following states: <ul style="list-style-type: none"> <li>• LISTEN – Waiting for a connection request.</li> <li>• SYN-SENT – Waiting for a matching connection request after having sent a connection request.</li> <li>• SYN-RECEIVED – Waiting for a confirming connection request acknowledgment after having both received and sent a connection request.</li> <li>• ESTABLISHED – Data can be sent and received over the connection. This is the normal operational state of the connection.</li> <li>• FIN-WAIT-1 – Waiting for a connection termination request from the remote TCP, or an acknowledgment of the connection termination request previously sent.</li> <li>• FIN-WAIT-2 – Waiting for a connection termination request from the remote TCP.</li> <li>• CLOSE-WAIT – Waiting for a connection termination request from the local user.</li> <li>• CLOSING – Waiting for a connection termination request acknowledgment from the remote TCP.</li> <li>• LAST-ACK – Waiting for an acknowledgment of the connection termination request previously sent to the remote TCP (which includes an acknowledgment of its connection termination request).</li> <li>• TIME-WAIT – Waiting for enough time to pass to be sure the remote TCP received the acknowledgment of its connection termination request.</li> <li>• CLOSED – There is no connection state.</li> </ul>
Byte Sent	The number of bytes sent.
Byte Received	The number of bytes received.
Local host	The IP address of the Brocade device.
Local port	The TCP port the Brocade device is using for the BGP4 TCP session with the neighbor.
Remote host	The IP address of the neighbor.
Remote port	The TCP port the neighbor is using for the BGP4 TCP session with the Brocade device.
ISentSeq	The initial send sequence number for the session.
SendNext	The next sequence number to be sent.
TotUnAck	The number of sequence numbers sent by the Brocade device that have not been acknowledged by the neighbor.
TotSent	The number of sequence numbers sent to the neighbor.
ReTrans	The number of sequence numbers that the Brocade device retransmitted because they were not acknowledged.
UnAckSeq	The current acknowledged sequence number.
IRcvSeq	The initial receive sequence number for the session.
RcvNext	The next sequence number expected from the neighbor.
SendWnd	The size of the send window.
TotalRcv	The number of sequence numbers received from the neighbor.
DupliRcv	The number of duplicate sequence numbers received from the neighbor.

**TABLE 125** BGP4 neighbor information (Continued)

This field...	Displays...
RcvWnd	The size of the receive window.
SendQue	The number of sequence numbers in the send queue.
RcvQue	The number of sequence numbers in the receive queue.
CngstWnd	The number of times the window has changed.

## Displaying advertised routes for a specified VRF neighbor

To display the routes the Brocade device has advertised to a specific VRFs neighbor, enter a command such as the following at any level of the CLI.

```
R3-2547# show ip bgp vrf black neighbor 10.10.2.3 advertised-routes
      There are 154 routes advertised to neighbor 10.10.2.3
Status A:AGGREGATE B:BEST b:NOT-INSTALLED-BEST E:EBGP I:IBGP L:LOCAL
  Prefix          Next Hop          Metric      LocPrf      Weight  Status
1    10.100.101.30/32  10.10.3.3
      AS_PATH: 311
2    10.100.101.29/32  10.10.3.3
      AS_PATH: 311
3    10.100.101.28/32  10.10.3.3
      AS_PATH: 311
4    10.100.101.27/32  10.10.3.3
      AS_PATH: 311
5    10.100.101.26/32  10.10.3.3
      AS_PATH: 311
6    10.100.101.25/32  10.10.3.3
      AS_PATH: 311
7    10.100.101.24/32  10.10.3.3
      AS_PATH: 311
8    10.100.101.23/32  10.10.3.3
      AS_PATH: 311
9    10.100.101.22/32  10.10.3.3
      AS_PATH: 311
10   10.100.101.21/32  10.10.3.3
      AS_PATH: 311
```

Syntax: `show ip bgp vrf vrf-name neighbor ip-addr advertised-routes [ip-addr/prefix]`

For information about the fields in this display, refer to [Table 109](#) on page 641.

## Displaying neighbor attribute entries for a specified VRF

The neighbor attribute entries table lists the sets of BGP4 attributes stored in the router’s memory. Each set of attributes is unique and can be associated with one or more routes. In fact, the Brocade device typically has fewer route attribute entries than routes. To display the route-attribute entries table for a specified VRF, enter the following command.

## 6 Displaying BGP or MPLS VRF information

```

Brocade# show ip bgp vrf black neighbor 10.10.2.3 attribute-entries
Total number of BGP Attribute Entries: 2
1   Next Hop  :10.10.2.3           Metric   :0           Origin:IGP
    Originator:0.0.0.0           Cluster List:None
    Aggregator:AS Number :0       Router-ID:0.0.0.0   Atomic:None
    Local Pref:100              Communities:Internet
    AS Path   :310
    Address: 0x2470139c Hash:223 (0x0100036e) Reference Counts: 30:0:60
2   Next Hop  :10.2.2.2           Metric   :2           Origin:INCOMP
    Originator:0.0.0.0           Cluster List:None
    Aggregator:AS Number :0       Router-ID:0.0.0.0   Atomic:None
    Local Pref:100              Communities:Internet
    Extended Community: RT 600:1 OSPF DOMAIN ID:0.0.0.0 OSPF RT 0:5:1 OSPF ROI
ID:0.0.0.0
    AS Path   :
    Address: 0x24702310 Hash:992 (0x03000000) Reference Counts: 0:0:90

```

Syntax: `show ip bgp vrf-name attribute-entries`

This display shows the following information.

**TABLE 126** BGP4 route-attribute entries information

This field...	Displays...
Total number of BGP Attribute Entries	The number of routes contained in this Brocade device's BGP4 route table.
Next Hop	The IP address of the next hop router for routes that have this set of attributes.
Metric	The cost of the routes that have this set of attributes.
Origin	<p>The source of the route information. The origin can be one of the following:</p> <ul style="list-style-type: none"> <li>• EGP – The routes with this set of attributes came to BGP through EGP.</li> <li>• IGP – The routes with this set of attributes came to BGP through IGP.</li> <li>• INCOMPLETE – The routes came from an origin other than one of the above. For example, they may have been redistributed from OSPF or RIP.</li> </ul> <p>When BGP4 compares multiple routes to a destination to select the best route, IGP is preferred over EGP and both are preferred over INCOMPLETE.</p>
Originator	The originator of the route in a route reflector environment.
Cluster List	The route-reflector clusters through which this set of attributes has passed.
Aggregator	<p>Aggregator information:</p> <ul style="list-style-type: none"> <li>• AS Number shows the AS in which the network information in the attribute set was aggregated. This value applies only to aggregated routes and is otherwise 0.</li> <li>• Router-ID shows the router that originated this aggregator.</li> </ul>



**TABLE 126** BGP4 route-attribute entries information (Continued)

This field...	Displays...
Atomic	Whether the network information in this set of attributes has been aggregated and this aggregation has resulted in information loss: <ul style="list-style-type: none"> <li>• TRUE – Indicates information loss has occurred</li> <li>• FALSE – Indicates no information loss has occurred</li> </ul> NOTE: Information loss under these circumstances is a normal part of BGP4 and does not indicate an error.
Local Pref	The degree of preference for routes that use this set of attributes relative to other routes in the local AS.
Communities	The communities that routes with this set of attributes are in.
Extended Community	The VRF's extended community attributes.
AS Path	The ASs through which routes with this set of attributes have passed. The local AS is shown in parentheses.

## Displaying flap statistics for a specified VRF neighbor by IP address

To display flap-statistics for routes learned from the specified VRF neighbor, enter the following command at any level of the CLI.

```
R3-2547# show ip bgp vrf black neighbor 10.10.2.3 flap-statistics
Total number of flapping routes: 0
```

Syntax: `show ip bgp vrf vrf-name neighbor ip-addr flap-statistics`

The *vrf-name* parameter specifies the VRF whose neighbor the user wants to display flap-statistics for.

The *address / mask* parameter specifies a particular route. When the user also uses the optional longer-prefixes parameter, then all statistics for routes that match the specified route or have a longer prefix than the specified route are displayed. For example, when the user specifies 10.157.0.0 longer, then all routes with the prefix 10.157 or that have a longer prefix (such as 10.157.22) are displayed.

This display shows the following information.

**TABLE 127** Route flap dampening statistics

This field...	Displays...
Total number of flapping routes	The total number of routes in the device's BGP4 route table that have changed state and thus have been marked as flapping routes.

## Displaying received ORF information for a specified VRF neighbor

To view BGP4 VPNv4 configuration information and statistics for a specified VRFs neighbor, enter the following command.

## 6 Displaying BGP or MPLS VRF information

```
Brocade # show ip bgp vrf black neighbor 10.10.2.3 received extended-community
Extended-community ORF capability was not negotiated
```

```
Brocade# show ip bgp vrf black neighbor 10.10.2.3 received prefix-filter
No Prefix filter ORF received from neighbor 10.10.2.3!
```

### Displaying received routes for a specified VRF neighbor

To view the BGP4 VPNv4 configuration and statistics for specified VRFs neighbor, enter the following command.

```
Brocade# show ip bgp vrf black neighbor 10.10.2.3 received-routes
Inbound soft reconfiguration not enabled for neighbor 10.10.2.3
```

### Displaying a specified VRF neighbor routes

To view the route table for a specified VRF's neighbor, enter the following command.

```
Brocade# show ip bgp vrf black neighbor 10.10.2.3 routes
      There are 30 accepted routes from neighbor 10.10.2.3
Searching for matching routes, use ^C to quit...
Status A:AGGREGATE B:BEST b:NOT-INSTALLED-BEST C:CONFED_EBGP D:DAMPED
      E:EBGP H:HISTORY I:IBGP L:LOCAL M:MULTIPATH S:SUPPRESSED F:FILTERED
      Prefix          Next Hop          Metric          LocPrf          Weight Status
1      10.100.100.1/32  10.10.2.3        100             0               BE
      AS_PATH: 310
2      10.100.100.2/32  10.10.2.3        100             0               BE
      AS_PATH: 310
3      10.100.100.3/32  10.10.2.3        100             0               BE
      AS_PATH: 310
4      10.100.100.4/32  10.10.2.3        100             0               BE
      AS_PATH: 310
5      10.100.100.5/32  10.10.2.3        100             0               BE
      AS_PATH: 310
6      10.100.100.6/32  10.10.2.3        100             0               BE
      AS_PATH: 310
7      10.100.100.7/32  10.10.2.3        100             0               BE
      AS_PATH: 310
8      10.100.100.8/32  10.10.2.3        100             0               BE
      AS_PATH: 310
9      10.100.100.9/32  10.10.2.3        100             0               BE
      AS_PATH: 310
```

Syntax: show ip bgp vrf *vrf-name* neighbor *ip-addr* routes

For information about the fields in this display, refer to [Table 121](#) on page 667.

### Displaying the best routes

To display the routes received from a specific neighbor that are the “best” routes to their destinations, enter a command such as the following at any level of the CLI.

```
Brocade# show ip bgp vrf black neighbor 192.168.4.211 routes best
```

Syntax: `show ip bgp vrf vrf-name neighbor ip-addr routes best`

For information about the fields in this display, refer to [Table 121](#) on page 667.

### Displaying the best routes that were nonetheless not installed in the IP route table

To display the BGP4 routes received from a specific neighbor that are the “best” routes to their destinations but are not installed in the Brocade device’s IP route table, enter a command such as the following at any level of the CLI.

```
Brocade# show ip bgp vrf black neighbor 192.168.4.211 routes not-installed-best
```

Each of the displayed routes is a valid path to its destination, but the Brocade device received another path from a different source (such as OSPF, RIP, or a static route) that has a lower administrative distance. The Brocade device always selects the path with the lowest administrative distance to install in the IP route table.

Syntax: `show ip bgp vrf vrf-name neighbor ip-addr routes not-installed-best`

For information about the fields in this display, refer to [Table 121](#) on page 667.

### Displaying the routes whose destinations are unreachable

To display BGP4 routes whose destinations are unreachable using any of the BGP4 paths in the BGP4 route table, enter a command such as the following at any level of the CLI.

```
Brocade# show ip bgp vrf black neighbor 192.168.4.211 routes unreachable
```

Syntax: `show ip bgp vrf vrf-name neighbor ip-addr routes unreachable`

For information about the fields in this display, refer to [Table 121](#) on page 667.

### Displaying the Adj-RIB-Out for a VRF neighbor

To display the Brocade device’s current BGP4 Routing Information Base (Adj-RIB-Out) for a specific VRF neighbor and a specific destination network, enter a command such as the following at any level of the CLI.

## 6 Displaying BGP or MPLS VRF information

```
Brocade# show ip bgp vrf black neighbor 10.10.2.3 rib-out-routes
      There are 154 RIB_out routes for neighbor 10.10.2.3
Status A:AGGREGATE B:BEST b:NOT-INSTALLED-BEST E:EBGP I:IBGP L:LOCAL
      Prefix                Next Hop          Metric      LocPrf      Weight  Status
1     10.100.101.30/32      10.10.3.3
      AS_PATH: 311
2     10.100.101.29/32      10.10.3.3
      AS_PATH: 311
3     10.100.101.28/32      10.10.3.3
      AS_PATH: 311
4     10.100.101.27/32      10.10.3.3
      AS_PATH: 311
5     10.100.101.26/32      10.10.3.3
      AS_PATH: 311
6     10.100.101.25/32      10.10.3.3
      AS_PATH: 311
7     10.100.101.24/32      10.10.3.3
      AS_PATH: 311
8     10.100.101.23/32      10.10.3.3
      AS_PATH: 311
9     10.100.101.22/32      10.10.3.3
      AS_PATH: 311
10    10.100.101.21/32      10.10.3.3
      AS_PATH: 311
```

The Adj-RIB-Out contains the routes that the Brocade device either has most recently sent to the VRF neighbor or is about to send to the neighbor.

Syntax: `show ip bgp vrf vrf-name neighbor ip-addr rib-out-routes [ip-addr/prefix]`

For information about the fields in this display, refer to [Table 121](#) on page 667.

### Displaying VPNv4 routes summary for a specified VRF neighbor

To view the route table for a specified VRFs neighbor, enter the following command.

```
Brocade# show ip bgp vrf black neighbor 10.10.2.3 routes-summary
1  IP Address: 10.10.2.3
Routes Accepted/Installed:30,  Filtered/Kept:0,  Filtered:0
      Routes Selected as BEST Routes:30
      BEST Routes not Installed in IP Forwarding Table:0
      Unreachable Routes (no IGP Route for NEXTHOP):0
      History Routes:0
NLRIs Received in Update Message:30,  Withdraws:0 (0),  Replacements:0
      NLRIs Discarded due to
      Maximum Prefix Limit:0,  AS Loop:0
      Invalid Nexthop:0,  Invalid Nexthop Address:0.0.0.0
      Duplicated Originator_ID:0,  Cluster_ID:0
Routes Advertised:154,  To be Sent:0,  To be Withdrawn:0
NLRIs Sent in Update Message:154,  Withdraws:0,  Replacements:0
Peer Out of Memory Count for:
      Receiving Update Messages:0,  Accepting Routes(NLRI):0
      Attributes:0,  Outbound Routes(RIB-out):0 Outbound Routes Holder:0
```

This display shows the following information.

**TABLE 128** BGP4 route summary information for a VRF neighbor

This field...	Displays...
Routes Received	How many routes the Brocade device has received from the neighbor during the current BGP4 session. <ul style="list-style-type: none"> <li>Accepted or Installed – Indicates how many of the received routes the Brocade device accepted and installed in the BGP4 route table.</li> <li>Filtered – Indicates how many of the received routes the Brocade device did not accept or install because they were denied by filters on the device.</li> </ul>
Routes Selected as BEST Routes	The number of routes that the Brocade device selected as the best routes to their destinations.
BEST Routes not Installed in IP Forwarding Table	The number of routes received from the neighbor that are the best BGP4 routes to their destinations, but were nonetheless not installed in the IP route table because the Brocade device received better routes from other sources (such as OSPF, RIP, or static IP routes).
Unreachable Routes	The number of routes received from the neighbor that are unreachable because the Brocade device does not have a valid RIP, OSPF, or static route to the next hop.
History Routes	The number of routes that are down but are being retained for route flap dampening purposes.
NLRIs Received in Update Message	The number of routes received in Network Layer Reachability (NLRI) format in UPDATE messages. <ul style="list-style-type: none"> <li>Withdraws – The number of withdrawn routes the Brocade device has received.</li> <li>Replacements – The number of replacement routes the Brocade device has received.</li> </ul>
NLRIs Discarded due to	Indicates the number of times the Brocade device discarded an NLRI for the neighbor due to the following reasons: <ul style="list-style-type: none"> <li>Maximum Prefix Limit – The Brocade device’s configured maximum prefix amount had been reached.</li> <li>AS Loop – An AS loop occurred. An AS loop occurs when the BGP4 AS-path attribute contains the local AS number.</li> <li>Invalid Nexthop – The next hop value was not acceptable.</li> <li>Duplicated Originator_ID – The originator ID was the same as the local Brocade device ID.</li> <li>Cluster_ID – The cluster list contained the local cluster ID, or contained the local Brocade device ID (see above) when the cluster ID is not configured.</li> </ul>
Routes Advertised	The number of routes the Brocade device has advertised to this neighbor: <ul style="list-style-type: none"> <li>To be Sent – The number of routes the Brocade device has queued to send to this neighbor.</li> <li>To be Withdrawn – The number of NLRIs for withdrawing routes the Brocade device has queued up to send to this neighbor in UPDATE messages.</li> </ul>

**TABLE 128** BGP4 route summary information for a VRF neighbor (Continued)

This field...	Displays...
NLRIs Sent in Update Message	The number of NLRIs for new routes the Brocade device has sent to this neighbor in UPDATE messages: <ul style="list-style-type: none"> <li>• Withdraws – The number of routes the Brocade device has sent to the neighbor to withdraw.</li> <li>• Replacements – The number of routes the Brocade device has sent to the neighbor to replace routes the neighbor already has.</li> </ul>
Peer Out of Memory Count for	Statistics for the times the Brocade device has run out of BGP4 memory for the neighbor during the current BGP4 session: <ul style="list-style-type: none"> <li>• Receiving Update Messages – The number of times UPDATE messages were discarded because there was no memory for attribute entries.</li> <li>• Accepting Routes (NLRI) – The number of NLRIs discarded because there was no memory for NLRI entries. This count is not included in the Receiving Update Messages count.</li> <li>• Attributes – The number of times there was no memory for BGP4 attribute entries.</li> <li>• Outbound Routes (RIB-out) – The number of times there was no memory to place a “best” route into the neighbor’s route information base (Adj-RIB-Out) for routes to be advertised.</li> </ul>

## Displaying summary route information for a specified VRF

To display summary statistics for all the VPNv4 routes in the device’s BGP route table for a specified VRF, enter a command such as the following at any level of the CLI.

```
Brocade# show ip bgp vrf black routes summary
  Total number of BGP routes (NLRIs) Installed      : 184
  Distinct BGP destination networks                 : 184
  Filtered bgp routes for soft reconfig              : 0
  Routes originated by this router                   : 4
  Routes selected as BEST routes                     : 184
  BEST routes not installed in IP forwarding table   : 0
  Unreachable routes (no IGP route for NEXTHOP)    : 0
  IBGP routes selected as best routes                : 90
  EBGP routes selected as best routes                : 90
```

Syntax: show ip bgp vrf *vrf-name* routes summary

This display shows the following information.

**TABLE 129** BGP VPNv4 summary route information

This field...	Displays...
Total number of BGP VPNv4 routes (NLRIs) Installed	The number of BGP VPNv4 routes the Brocade device has installed in the BGP route table.
Distinct BGP VPNv4 destination networks	The number of destination networks the installed routes represent. The BGP route table can have multiple routes to the same network.
Filtered BGP VPNv4 routes for soft reconfig	The number of route updates received from soft-reconfigured neighbors or peer groups that have been filtered out but retained.

**TABLE 129** BGP VPNv4 summary route information (Continued)

This field...	Displays...
Routes originated by this Brocade device	The number of VPNv4 routes in the BGP route table that this Brocade device originated.
Routes selected as BEST routes	The number of VPNv4 routes in the BGP route table that this Brocade device has selected as the best routes to the destinations.
BEST routes not installed in IP forwarding table	The number of BGP VPNv4 routes that are the best BGP VPNv4 routes to their destinations but were not installed in the IP route table because the Brocade device received better routes from other sources.
Unreachable routes (no IGP route for NEXTHOP)	The number of routes in the BGP route table whose destinations are unreachable because the next hop is unreachable.
IBGP routes selected as best routes	The number of "best" routes in the BGP VPNv4 route table that are IBGP routes.
EBGP routes selected as best routes	The number of "best" routes in the BGP VPNv4 route table that are EBGP routes.

## Displaying a VRFs BGP4 route table

When the user wants to view all the routes BGP routes in a VRF, the user can display the VRFs BGP route table using the following method.

To view a VRFs BGP4 route table, enter the following command.

```

Brocade# show ip bgp vrf black routes
Total number of BGP Routes: 184
Status A:AGGREGATE B:BEST b:NOT-INSTALLED-BEST C:CONFED_EBGP D:DAMPED
E:EBGP H:HISTORY I:IBGP L:LOCAL M:MULTIPATH S:SUPPRESSED
Prefix      Next Hop      Metric      LocPrf      Weight      Status
1    10.7.7.7/32    0.0.0.0       0           100         32768      BL
   AS_PATH:
2    10.10.2.0/24  0.0.0.0       0           100         32768      BL
   AS_PATH:
3    10.10.3.0/24  0.0.0.0       0           100         32768      BL
   AS_PATH:
4    10.10.4.0/24  0.0.0.0       0           100         32768      BL
   AS_PATH:
5    10.100.100.1/32 10.10.2.3     100         0           0          BE
   AS_PATH: 310
6    10.100.100.2/32 10.10.2.3     100         0           0          BE
   AS_PATH: 310
7    10.100.100.3/32 10.10.2.3     100         0           0          BE
   AS_PATH: 310
8    10.100.100.4/32 10.10.2.3     100         0           0          BE
   AS_PATH: 310
9    10.100.100.5/32 10.10.2.3     100         0           0          BE
   AS_PATH: 310
10   10.100.100.6/32 10.10.2.3     100         0           0          BE
  
```

Syntax: show ip bgp vrf vrf-name routes [ip-addr] | num | [age secs] | [as-path-access-list num] | [as-path-filter num, num,...] |[best] | [cidr-only] | [community num | no-export | no-advertise | internet | local-as] | [community-access-list num] | community-filter num | community-reg-expression regular-expression | detail | local | neighbor ip-addr [next-hop

## 6 Displaying BGP or MPLS VRF information

*ip-addr* | [no-best] | [not-installed-best] | [prefix-list *string*] | [regular-expression *regular-expression*] | [route-map *map-name*] | [summary] | [unreachable]

The *vrf-name* parameter specifies the VRF whose neighbor the user wants to display information about.

The *ip-addr* option displays routes for a specific network.

The *num* option specifies the table entry with which the user wants the display to start. For example, when the user wants to list entries beginning with table entry 100, specify 100.

The *age secs* parameter displays only the routes that have been received or updated more recently than the number of seconds the user specifies.

The *as-path-access-list num* parameter filters the display using the specified AS-path ACL.

The *best* parameter displays the routes received from the neighbor that the Brocade device selected as the best routes to their destinations.

The *cidr-only* option lists only the routes whose network masks do not match their class network length.

The *community* option lets the user display routes for a specific community. The user can specify *local-as*, *no-export*, *no-advertise*, *internet*, or a private community number. The user can specify the community number as either two five-digit integer values of up to 1– 65535, separated by a colon (for example, 12345:6789) or a single long integer value.

The *community-access-list num* parameter filters the display using the specified community ACL.

The *community-filter* option lets the user display routes that match a specific community filter.

The *community regular-expression regular-expression* option filters the display based on a specified community regular expression.

The *local* option .

The *neighbor ip-addr* option displays the number of accepted routes from the specified BGP neighbor.

The *detail* option lets the user display more details about the routes. The user can refine the request by also specifying one of the other display options after the *detail* keyword.

The *next-hop ip-addr* option displays the routes for a given next-hop IP address.

The *no-best* option displays the routes for which none of the routes to a given prefix were selected as the best route.

The *not-installed-best* option displays the routes received from the neighbor are the best BGP4 routes to their destinations, but were nonetheless not installed in the IP route table due to the *rib-route-limit* (or RTM route table size limit) and *always-propagate* option to allow the propagating those best BGP routes.

The *prefix-list string* parameter filters the display using the specified IP prefix list.

The *regular-expression regular-expression* option filters the display based on a regular expression.

The *route-map map-name* parameter filters the display using the specified route map. The software displays only the routes that match the match statements in the route map. The software disregards the route map's set statements.

The *summary* option displays summary information for the routes.



The unreachable option displays the routes that are unreachable because the Brocade device does not have a valid RIP, OSPF, or static route to the next hop.

For information about the fields in this display, refer to [Table 109](#) on page 641. The fields in this display also appear in the show ip bgp vpv4 display.

## Displaying the best BGP4 routes

To display all the BGP4 routes in the device's BGP4 route table that are the best routes to their destinations, enter a command such as the following at any level of the CLI.

```
Brocade# show ip bgp vrf black routes best
Searching for matching routes, use ^C to quit...
Status A:AGGREGATE B:BEST b:NOT-INSTALLED-BEST C:CONFED_EBGP D:DAMPED
      E:EBGP H:HISTORY I:IBGP L:LOCAL M:MULTIPATH S:SUPPRESSED F:FILTERED
      Prefix           Next Hop           Metric           LocPrf           Weight Status
1     10.7.7.7/32       0.0.0.0            0                100              32768 BL
      AS_PATH:
2     10.10.2.0/24      0.0.0.0            0                100              32768 BL
      AS_PATH:
3     10.10.3.0/24      0.0.0.0            0                100              32768 BL
      AS_PATH:
4     10.10.4.0/24      0.0.0.0            0                100              32768 BL
      AS_PATH:
5     10.100.100.1/32    10.10.2.3          100              0                BE
      AS_PATH: 310
6     10.100.100.2/32    10.10.2.3          100              0                BE
      AS_PATH: 310
7     10.100.100.3/32    10.10.2.3          100              0                BE
      AS_PATH: 310
8     10.100.100.4/32    10.10.2.3          100              0                BE
      AS_PATH: 310
9     10.100.100.5/32    10.10.2.3          100              0                BE
      AS_PATH: 310
```

Syntax: show ip bgp vrf *vrf-name* routes best

For information about the fields in this display, refer to [Table 121](#) on page 667.

## Displaying best BGP4 routes that are not in the IP route table

When the Brocade device has multiple routes to a destination, the Brocade device selects the route with the lowest administrative distance as the best route, and installs that route in the IP route table.

To display the BGP4 routes for a specified VRF that are the “best” routes to their destinations but are not installed in the device's IP route table, enter a command such as the following at any level of the CLI.

## 6 Displaying BGP or MPLS VRF information

```
Brocade# show ip bgp vrf black routes not-installed-best
Searching for matching routes, use ^C to quit...
Status A:AGGREGATE B:BEST b:NOT-INSTALLED-BEST C:CONFED_EBGP D:DAMPED
      E:EBGP H:HISTORY I:IBGP L:LOCAL M:MULTIPATH S:SUPPRESSED F:FILTERED
Route Distinguisher: 4:1
      Prefix          Next Hop          Metric      LocPrf      Weight Status
1      10.0.0.0/8      192.168.4.106    100         0           BE
      AS_PATH: 65001 4355 701 80
```

Each of the displayed routes is a valid path to its destination, but the Brocade device received another path from a different source that has a lower administrative distance. The Brocade device always selects the path with the lowest administrative distance to install in the IP route table.

Syntax: `show ip bgp vrf vrf-name routes not-installed-best`

For information about the fields in this display, refer to [Table 121](#) on page 667.

---

### NOTE

To display the routes that the Brocade device has selected as the best routes and installed in the IP route table, display the IP route table using the `show ip route` command.

---

### Displaying BGP4 routes whose destinations are unreachable

To display BGP routes for a specified VRF whose destinations are unreachable using any of the paths in the BGP route table, enter a command such as the following at any level of the CLI.

```
Brocade# show ip bgp vrf black routes unreachable
Searching for matching routes, use ^C to quit...
Status A:AGGREGATE B:BEST b:NOT-INSTALLED-BEST C:CONFED_EBGP D:DAMPED
      E:EBGP H:HISTORY I:IBGP L:LOCAL M:MULTIPATH S:SUPPRESSED F:FILTERED
Route Distinguisher: 4:1
      Prefix          Next Hop          Metric      LocPrf      Weight Status
1      10.0.0.0/8      192.168.4.106    100         0           BE
      AS_PATH: 65001 4355 701 80
```

Syntax: `show ip bgp vrf black routes unreachable`

For information about the fields in this display, refer to [Table 121](#) on page 667.

### Displaying information for a specific route

To display BGP VPNv4 route information for a specified VRF by specifying an IP address within the network, enter a command such as the following at any level of the CLI.

```

Brocade# show ip bgp vrf black routes 10.8.1.0/24
Route Distinguisher: 4:1
Number of BGP Routes matching display condition : 1
Status A:AGGREGATE B:BEST b:NOT-INSTALLED-BEST C:CONFED_EBGP D:DAMPED
      E:EBGP H:HISTORY I:IBGP L:LOCAL M:MULTIPATH S:SUPPRESSED F:FILTERED
Prefix          Next Hop          Metric      LocPrf      Weight Status
1      10.8.1.0/24      10.2.2.2      2           100         0      I
      AS_PATH:
Route Distinguisher: 5:1
Number of BGP Routes matching display condition : 1
Status A:AGGREGATE B:BEST b:NOT-INSTALLED-BEST C:CONFED_EBGP D:DAMPED
      E:EBGP H:HISTORY I:IBGP L:LOCAL M:MULTIPATH S:SUPPRESSED F:FILTERED
Prefix          Next Hop          Metric      LocPrf      Weight Status
1      10.8.1.0/24      10.4.4.4      3           100         0      I
      AS_PATH:
    
```

Syntax: show ip bgp vrf black routes *ip-addr/prefix* [*longer-prefixes*] | *ip-addr*

For information about the fields in this display, refer to [Table 121](#) on page 667 and [Table 119](#) on page 665.

## Displaying route details

Here is an example of the information displayed when the user uses the detail option. In this example, the information for one route is shown.

```

Brocade# show ip bgp vrf black routes detail
Total number of BGP Routes: 288
Status A:AGGREGATE B:BEST b:NOT-INSTALLED-BEST C:CONFED_EBGP D:DAMPED
      E:EBGP H:HISTORY I:IBGP L:LOCAL M:MULTIPATH S:SUPPRESSED
Route Distinguisher: 4:1
1      Prefix: 10.6.1.0/24, Status: I, Age: 15h36m10s
      NEXT_HOP: 10.2.2.2, Learned from Peer: 10.2.2.2 (1)
      Out-Label: 500000
      LOCAL_PREF: 100, MED: 3, ORIGIN: incomplete, Weight: 0
      AS_PATH:
      Extended Community: RT 300:1 OSPF DOMAIN ID:0.0.0.0 OSPF RT 0:1:0 OSPF RO
ID:0.0.0.0
    
```

For information about the fields in this display, refer to [Table 121](#) on page 667 and [Table 130](#).

**TABLE 130** BGP VPNv4 route information

This field...	Displays...
Prefix	The network address and prefix.
Age	The last time an update occurred.
Learned from Peer	The IP address of the neighbor that sent this route.
Local_Pref	The degree of preference for this route relative to other routes in the local AS. When the BGP4 algorithm compares routes on the basis of local preferences, the route with the higher local preference is chosen. The preference can have a value from 0 – 4294967295.
MED	The route's metric. When the route has no metric, this field is blank.

**TABLE 130** BGP VPNv4 route information (Continued)

This field...	Displays...
Origin	The source of the route information. The origin can be one of the following: <ul style="list-style-type: none"> <li>• EGP – The routes with this set of attributes came to BGP through EGP.</li> <li>• IGP – The routes with this set of attributes came to BGP through IGP.</li> <li>• INCOMPLETE – The routes came from an origin other than one of the above. For example, they may have been redistributed from OSPF or RIP.</li> </ul> When BGP4 compares multiple routes to a destination to select the best route, IGP is preferred over EGP and both are preferred over INCOMPLETE.
Atomic	Whether network information in this route has been aggregated and this aggregation has resulted in information loss.  NOTE: Information loss under these circumstances is a normal part of BGP4 and does not indicate an error.
Aggregation ID	The router that originated this aggregator.
Aggregation AS	The AS in which the network information was aggregated. This value applies only to aggregated routes and is otherwise 0.
Originator	The originator of the route in a route reflector environment.
Cluster List	The route-reflector clusters through which this route has passed.
Learned From	The IP address of the neighbor from which the Brocade device learned the route.
Admin Distance	The administrative distance of the route.
Adj_RIB_out	The number of neighbors to which the route has been or is advertised. This is the number of times the route has been selected as the best route and placed in the Adj-RIB-Out (outbound queue) for a BGP4 neighbor.
Communities	The communities the route is in.
Extended Community	The extended communities the route is in.

## Displaying additional BGP or MPLS VPN information

The user can display the following additional information about a BGP or MPLS configuration on the device:

- “Displaying IP network information for a VRF”
- “Displaying the IP route table for a specified VRF”
- “Displaying ARP VRF information”
- “Displaying OSPF information for a VRF”
- “Displaying OSPF area information for a VRF”
- “Displaying OSPF ABR and ASBR information for a VRF”
- “Displaying general OSPF configuration information for a VRF”
- “Displaying OSPF external link state information for a VRF”
- “Displaying OSPF interface information”
- “Displaying OSPF neighbor information for a VRF”
- “Displaying the routes that have been redistributed into OSPF”
- “Displaying OSPF route information for a VRF”

- “Displaying OSPF sham links”
- “Displaying OSPF trap status for a VRF”
- “Displaying OSPF virtual links for a VRF”
- “Displaying OSPF virtual neighbor information for a VRF”
- “Displaying IP extcommunity list information”
- “Displaying the IP static route table for a VRF”
- “Displaying the static ARP table for a VRF”
- “Displaying TCP connections for a VRF”
- “Displaying MPLS statistics for a VRF”

## Displaying VRF information

To display IP Information for a specified VRF, enter the following command at any level of the CLI.

```
Brocade# show vrf
Total number of VRFs configured: 1
Status Codes - A:active, D:pending deletion, I:inactive
Name           Default RD   IFL ID   vrf|v4|v6   Routes Interfaces
a               1:1         131071   A | A | A   14
```

```
Total number of IPv4 unicast route for all non-default VRF is 12
Total number of IPv6 unicast route for all non-default VRF is 2
```

```
Brocade# show vrf a
VRF a, default RD 1:1, Table ID 1 IFL ID 131071
Label: (Not Allocated), Label-Switched Mode: OFF
IP Router-Id: 0.0.0.0
  No interfaces
  No Export VPN route-target communities
  No Import VPN route-target communities
  No import route-map
  No export route-map

  Address Family IPv4
    Max Routes: 5120
    Number of Unicast Routes: 12
    No Export VPN route-target communities
    No Import VPN route-target communities
Address Family IPv6
  Max Routes: 128
  Number of Unicast Routes: 2
  No Export VPN route-target communities
  No Import VPN route-target communities
```

Syntax: `show vrf vrf-name`

The *vrf-name* parameter specifies the VRF that the user wants to display IP information for.

**TABLE 131** Output from the show VRF command

This field...	Displays...
VRF Name	The name of the VRF.
Default RD	The default route distinguisher for the VRF.
Table ID	The table ID for the VRF.
Routes	The total number of IPv4 and IPv6 Unicast routes configured on this VRF.
Label	Display the unique VRF label that has been assigned to the specified VRF.
Label Switched Mode	Displays when Label Switched Mode is ON or OFF.
Max routes	The maximum number of routes that can be configured on this VRF.
Number of Unicast Routes	The number of Unicast routes configured on this VRF.
Interfaces	The interfaces from this Brocade device that are configured within this VRF.
Export VPN route-target communities:	The export route-targets that are configured for this VRF.
Import VPN route-target communities	The import route-targets that are configured for this VRF.
Import route-map	The name of the import route-map when any that is configured for this VRF.
Export route-map	The name of the export route-map when a route-map has been configured for this VRF.

## Displaying IP network information for a VRF

To display IP network information for a specified VRF, use the following command at any level of the CLI.

```
Brocade# show ip network vrf green
Total IP and IPVPN Cache Entry Usage on LPs:
  Module   Host   Network   Free   Total
    2       26      0       204774 204800
    5       28     240     204532 204800
```

Syntax: show ip network vrf *vrf-name*

This display shows the following information.

**TABLE 132** BGP VPNv4 summary route information

This field...	Displays...
Module	The slot number of the module.
Host	The number of host cache entries.
Network	The number of network cache entries
Free	The number of cache entries that are unused.
Total	The total number of cache entries used and unused.

## Displaying the IP route table for a specified VRF

To display the IP routes for a specified VRF, enter the following command at any CLI level.

```
Brocade# show ip route vrf green
Total number of IP routes: 99
Type Codes - B:BGP D:Connected S:Static R:RIP O:OSPF; Cost - Dist/Metric
      Destination      Gateway      Port      Cost      Type
1      10.5.1.0/24      192.168.201.2 eth 6/3    110/2     O
2      10.6.1.0/24      10.4.4.4     lsp toR4   200/0     B
3      10.8.1.0/24      10.2.2.2     lsp toR2   200/0     B
4      10.30.1.1/32      192.168.201.2 eth 6/3    110/3     O1
5      10.30.1.2/32      192.168.201.2 eth 6/3    110/3     O1
6      10.30.1.3/32      192.168.201.2 eth 6/3    110/3     O1
7      10.30.1.4/32      192.168.201.2 eth 6/3    110/3     O1
8      10.30.1.5/32      192.168.201.2 eth 6/3    110/3     O1
9      10.30.1.6/32      192.168.201.2 eth 6/3    110/3     O1
10     10.30.1.7/32      192.168.201.2 eth 6/3    110/3     O1
11     10.30.1.8/32      192.168.201.2 eth 6/3    110/3     O1
```

Syntax: show ip route vrf *vrf-name*

The *vrf-name* parameter specifies the VRF that the user wants to display IP routes for.

The following table lists the information displayed by the show ip route vrf command.

**TABLE 133** CLI display of IP route table

This field...	Displays...
Total number of IP routes	The total number of IP routes that are in the specified VRP routing table.
Destination	The destination network of the route.
NetMask	The network mask of the destination address.
Gateway	The next-hop router.
Port	The port through which this Brocade device sends packets to reach the route's destination.
Cost	The route's cost.
Type	The route type, which can be one of the following: <ul style="list-style-type: none"> <li>• B – The route was learned from BGP.</li> <li>• D – The destination is directly connected to this Brocade device.</li> <li>• R – The route was learned from RIP.</li> <li>• S – The route is a static route.</li> <li>• * – The route is a candidate default route.</li> <li>• O – The route is an OSPF route. Unless the user uses the ospf option to display the route table, “O” is used for all OSPF routes. When the user does use the ospf option, the following type codes are used: <ul style="list-style-type: none"> <li>• O – OSPF intra area route (within the same area).</li> <li>• IA – The route is an OSPF inter area route (a route that passes from one area into another).</li> <li>• E1 – The route is an OSPF external type 1 route.</li> <li>• E2 – The route is an OSPF external type 2 route.</li> </ul> </li> </ul>

## Displaying ARP VRF information

To display the ARP information for a specified VRF, enter the following command.

```
Brocade# show arp vrf green
Total number of ARP entries: 9
Entries in VRF green:
      IP Address          MAC Address          Type          Age          Port
1      192.168.201.2      2001:DB8.52cf.e840  Dynamic      0            6/3
```

Syntax: show arp vrf *vrf-name* [number] [ip-address] [ethernet slot/port] [mac-address *mac-addr*]

The *vrf-name* parameter specifies the VRF that the user wants to display arp entries for.

To clear the ARP table.

```
Brocade# clear arp vrf green
```

Syntax: clear arp vrf *vrf-name*

## Displaying OSPF information for a VRF

To display the OSPF Information for a specified VRF, enter the following command at any CLI level.

```
Brocade# show ip ospf vrf green
OSPF Version Number          Version 2
Router Id                     192.168.201.1
Domain Id                     10.2.2.2
Domain Tag                    10.2.2.2
ASBR Status                   Yes
ABR Status                     Yes          (1)
Redistribute Ext Routes from  BGP
External LSA Counter          96
Originate New LSA Counter     1738
Rx New LSA Counter            173
External LSA Limit            14447047
Database Overflow Interval    0
Database Overflow State :     NOT OVERFLOWED
RFC 1583 Compatibility :     Enabled
```

Syntax: show ip ospf vrf *vrf-name* [area [*area-id* | *area-ipaddress*]] [border-routers *router-id*] [config] [database [database-summary | external-link-state [advertise *number*] | extensive | link-state-id *id-number* | router-id *advertising-router-id* | sequence-number *HEX*] [link-state [advertise *number*] | sabre

The *vrf-name* parameter specifies the VRF that the user wants to display OSPF information for.



## Displaying OSPF area information for a VRF

To display OSPF Area Information for a specified VRF, enter the following command at any level of the CLI.

```
Brocade# show ip ospf vrf green area
Indx Area          Type  Cost      SPFR      ABR   ASBR  LSA   Chksum(Hex)
1     0              normal 0         6        0     0     6     00039ba2
2     1              normal 0         6        0     2     6     0003af4b
```

Syntax: show ip ospf vrf *vrf-name* area [*area-id*] | [*ip-address*]

The *vrf-name* parameter specifies the VRF that the user wants to the OSPF area information for.

The *area-id* parameter shows information for the specified area.

The *ip-address* parameter displays the entry that corresponds to the IP address the user enters.

## Displaying OSPF ABR and ASBR information for a VRF

To display OSPF ABR and ABSR Information for a specified VRF, enter the following command at any level of the CLI.

```
Brocade# show ip ospf vrf green border-routers
      router ID      router type next hop router outgoing interface Area
1     10.2.10.2       ASBR       192.168.201.2 6/3             1
1     10.5.1.3       ASBR       192.168.201.2 6/3             1
```

Syntax: show ip ospf vrf *vrf-name* border-routers *router-id*

The *vrf-name* parameter specifies the VRF that the user wants to display OSPF ABR and ABSR information for.

The *router-id* parameter specifies the display of OSPF ABR and ABSR information for the router with the specified router ID.

## Displaying general OSPF configuration information for a VRF

To display OSPF ABR and ABR Information for a specified VRF, enter the following command at any level of the CLI.

```
Brocade# show ip ospf vrf green config
Router OSPF: Enabled
Redistribution: Enabled
Default OSPF Metric: 10
OSPF Auto-cost Reference Bandwidth: Disabled

OSPF Redistribution Metric: Type2

OSPF External LSA Limit: 14447047

OSPF Database Overflow Interval: 0

RFC 1583 Compatibility: Enabled

Router id: 192.168.201.1
Interface State Change Trap: Enabled
Virtual Interface State Change Trap: Enabled
Neighbor State Change Trap: Enabled
Virtual Neighbor State Change Trap: Enabled
Interface Configuration Error Trap: Enabled
Virtual Interface Configuration Error Trap: Enabled
Interface Authentication Failure Trap: Enabled
Virtual Interface Authentication Failure Trap: Enabled
Interface Receive Bad Packet Trap: Enabled
Virtual Interface Receive Bad Packet Trap: Enabled
Interface Retransmit Packet Trap: Disabled
Virtual Interface Retransmit Packet Trap: Disabled
Originate LSA Trap: Disabled
Originate MaxAge LSA Trap: Disabled
Link State Database Overflow Trap: Disabled
Link State Database Approaching Overflow Trap: Disabled

OSPF Area currently defined:
Area-ID      Area-Type Cost
0            normal  0
1            normal  0
```

Syntax: `show ip ospf vrf vrf-name config`

The *vrf-name* parameter specifies the VRF that the user wants to display general OSPF configuration information for.

## Displaying OSPF external link state information for a VRF

To display OSPF External Link State Information for a specified VRF, enter the following command at any level of the CLI.

```
Brocade# show ip ospf vrf green database external-link-state
Index Aging  LS ID           Router           Netmask  Metric  Flag
1      491    10.30.1.6      10.5.1.3       ffffffff 00000001 0000
2      1005   10.40.1.30    192.168.201.1 ffffffff 8000000a 0000
3      765    10.60.1.10    192.168.201.1 ffffffff 8000000a 0000
4      1005   10.40.1.9     192.168.201.1 ffffffff 8000000a 0000
5      491    10.30.1.19    10.5.1.3       ffffffff 00000001 0000
6      765    10.60.1.23    192.168.201.1 ffffffff 8000000a 0000
7      1005   10.40.1.22    192.168.201.1 ffffffff 8000000a 0000
8      765    10.60.1.2     192.168.201.1 ffffffff 8000000a 0000
9      1005   10.40.1.1     192.168.201.1 ffffffff 8000000a 0000
10     491    10.30.1.11    10.5.1.3       ffffffff 00000001 0000
11     765    10.60.1.15    192.168.201.1 ffffffff 8000000a 0000
12     1005   10.40.1.14    192.168.201.1 ffffffff 8000000a 0000
13     491    10.30.1.24    10.5.1.3       ffffffff 00000001 0000
14     491    10.30.1.3     10.5.1.3       ffffffff 00000001 0000
```

Syntax: `show ip ospf vrf vrf-name database external-link-state [advertise num] | [extensive] | [link-state-id ip-addr] | [router-id ip-addr] | [sequence-number num (Hex)] | [status num]`

The *vrf-name* parameter specifies the VRF that the user wants to display OSPF external link state information for.

The advertise *num* parameter displays the data in the specified LSA packet. The *num* parameter identifies the LSA packet by its position in the Brocade device's External LSA table. To determine an LSA packet's position in the table, enter the `show ip ospf vrf vrf-name external-link-state` command to display the table.

The extensive option displays the data in the LSAs in decrypted format.

The link-state-id *ip-addr* parameter displays the External LSAs for the LSA source specified by *IP-addr*.

The router-id *ip-addr* parameter shows the External LSAs for the specified OSPF router.

The status *num* option shows status information.

The sequence-number *num (Hex)* parameter displays the External LSA entries for the specified hexadecimal LSA sequence number.

## Displaying OSPF link state information for a VRF

To display OSPF Link State Information for a specified VRF, enter the following command at any level of the CLI.

```
Brocade# show ip ospf vrf green database link-state
Index Area ID      Type LS ID          Adv Rtr           Seq(Hex) Age  Cksum
1      0                Summ 10.2.10.2         192.168.201.1    8000001b 1145 0x03fb
2      0                Summ 192.168.201.0     192.168.201.1    8000001b 1145 0x4d8d
3      0                Summ 10.8.1.0          192.168.201.1    8000001b 905  0xadc5
4      0                Summ 10.5.1.0          192.168.201.1    8000001b 1145 0xea12
5      0                ASBR 10.2.10.2         192.168.201.1    8000001b 1145 0xf409
6      0                ASBR 10.5.1.3          192.168.201.1    8000001b 1145 0xbe3a
7      1                Rtr  192.168.201.1     192.168.201.1    80000088 1145 0xf304
8      1                Rtr  10.2.10.2         10.2.10.2        800000eb 581  0x503d
9      1                Rtr  10.5.1.3          10.5.1.3         8000005e 1470 0xf8b0
10     1                Net  192.168.201.1     192.168.201.1    8000001f 1145 0xb5da
11     1                Net  10.5.1.1          10.2.10.2        8000004e 1792 0x0fbb
12     1                Summ 10.8.1.0          192.168.201.1    8000001b 905  0xadc5
```

Syntax: `show ip ospf vrf vrf-name database link-state [advertise num] | [asbr] | [extensive] | [link-state-id ip-addr] | [network] | [nssa] | [opaque-area] | [router] | [router-id ip-addr] | [sequence-number num (Hex)] | [status num] | [summary]`

The *vrf-name* parameter specifies the VRF that the user wants to display OSPF link state information for.

The *advertise num* parameter displays the hexadecimal data in the specified LSA packet. The *num* parameter identifies the LSA packet by its position in the Brocade device's External LSA table. To determine an LSA packet's position in the table, enter the `show ip ospf vrf vrf-name external-link-state` command to display the table.

The *asbr* option shows ASBR information.

The *extensive* option displays the LSAs in decrypted format.

The *link-state-id ip-addr* parameter displays the External LSAs for the LSA source specified by *IP-addr*.

The *network* option shows network information.

The *nssa* option shows network information.

The *opaque-area* option shows information for opaque areas.

The *router-id ip-addr* parameter shows the External LSAs for the specified OSPF router.

The *sequence-number num (Hex)* parameter displays the External LSA entries for the specified hexadecimal LSA sequence number.

The *status num* option shows status information.

The *summary* option shows summary information.

## Displaying OSPF interface information

To display OSPF interface information for a specified VRF, enter the following command at any CLI level.

```
Brocade# show ip ospf vrf green interface
ethernet 6/3,OSPF enabled
  IP Address 192.168.201.1, Area 1
  OSPF state DR, Pri 1, Cost 1, Options 2, Type broadcast Events 3
  Timers(sec): Transit 1, Retrans 5, Hello 10, Dead 40
  DR: Router ID 192.168.201.1 Interface Address 192.168.201.1
  BDR: Router ID 1.2.10.2 Interface Address 192.168.201.2
  Neighbor Count = 1, Adjacent Neighbor Count= 1
  Neighbor: 192.168.201.2
  Authentication-Key:None
  MD5 Authentication: Key None, Key-Id None, Auth-change-wait-time 300
```

Syntax: show ip ospf vrf *vrf-name* interface [*ip-addr*]

The *vrf-name* parameter specifies the VRF that the user wants to display OSPF interface information for.

The *ip-addr* parameter displays the OSPF interface information for the specified IP address.

## Displaying OSPF neighbor information for a VRF

To display OSPF neighbor information for a specified VRF, enter the following command at any CLI level.

```
Brocade# show ip ospf vrf green neighbor

Port  Address          Pri  State          Neigh Address  Neigh ID      Ev Opt Cnt
6/3   192.168.201.1       1    FULL/BDR       192.168.201.2  10.2.10.2    6  2  0
```

Syntax: show ip ospf vrf *vrf-name* neighbor [router-id *ip-addr*] | [*num*] | [detail]

The *vrf-name* parameter specifies the VRF that the user wants to display OSPF neighbor information for.

The router-id *ip-addr* parameter displays only the neighbor entries for the specified router.

The *num* parameter displays only the entry in the specified index position in the neighbor table. For example, when the user enters “1”, only the first entry in the table is displayed.

The detail parameter displays detailed information about the neighbor routers.

## Displaying the routes that have been redistributed into OSPF

The user can display the routes that have been redistributed into OSPF for a VRF. To display the redistributed routes, enter the following command at any level of the CLI.

## 6 Displaying additional BGP or MPLS VPN information

```
Brocade# show ip ospf vrf green redistribute route
 10.6.1.0 10.255.255.0 bgp
 10.8.1.0 10.255.255.0 bgp
 10.40.1.1 10.255.255.255 bgp
 10.40.1.2 10.255.255.255 bgp
```

In this example, four routes have been redistributed from BGP routes.

Syntax: `show ip ospf vrf vrf-name redistribute route`

The *vrf-name* parameter specifies the VRF that the user wants to display routes redistributed into OSPF for.

### Displaying OSPF route information for a VRF

To display the OSPF route information for a specified VRF, enter the following command at any level of the CLI.

```
Brocade# show ip ospf vrf green routes
OSPF Area 0x00000001 ASBR Routes 2:
  Destination      Mask          Path_Cost  Type2_Cost  Path_Type
 10.2.10.2         10.255.255.255  1          0           Intra
  Adv_Router      Link_State    Dest_Type  State       Tag        Flags
 10.2.10.2         10.2.10.2    Asbr      Valid      0          0000
  Paths Out_Port  Next_Hop     Type      State
 1      6/3         192.168.201.2 OSPF      00 00
```

In this example, four routes have been redistributed from BGP routes.

Syntax: `show ip ospf vrf vrf-name routes [ip-addr]`

Syntax: The *vrf-name* parameter specifies the VRF that the user wants to display OSPF routes for.

The *ip-addr* parameter specifies a destination IP address. When the user uses this parameter, only the route entries for that destination are shown.

### Displaying OSPF sham links

To display the OSPF sham links information for a VRF, enter the `show ip ospf vrf vrf-name sham-links` command at any level of the CLI, as in the following example.

```
Brocade# show ip ospf vrf CustomerA sham-links
Sham Link in OSPF instance CustomerA to 10.1.1.2 is UP, Established over lsp(LDP)
Area 1 source address 10.1.1.1
  Link cost 1 Transmit Delay is 1 sec, State ptpt
  Timer intervals configured, Hello 10, Dead 40, Wait 40, Retransmit 5
  Adjacency State UP, number of interface events 417
```

Syntax: `show ip ospf vrf vrf-name sham-links`

The *vrf-name* variable identifies the VRF for which the user wants to display OSPF sham links information.

## Displaying OSPF trap status for a VRF

To display the state (enabled or disabled) of the OSPF traps for a specified VRF, enter the following command at any CLI level.

```
Brocade# show ip ospf vrf green trap
Interface State Change Trap:           Enabled
Virtual Interface State Change Trap:   Enabled
Neighbor State Change Trap:           Enabled
Virtual Neighbor State Change Trap:    Enabled
Interface Configuration Error Trap:    Enabled
Virtual Interface Configuration Error Trap: Enabled
Interface Authentication Failure Trap:  Enabled
Virtual Interface Authentication Failure Trap: Enabled
Interface Receive Bad Packet Trap:     Enabled
Virtual Interface Receive Bad Packet Trap: Enabled
Interface Retransmit Packet Trap:      Disabled
Virtual Interface Retransmit Packet Trap: Disabled
Originate LSA Trap:                   Disabled
Originate MaxAge LSA Trap:            Disabled
Link State Database Overflow Trap:     Disabled
Link State Database Approaching Overflow Trap: Disabled
```

Syntax: show ip ospf vrf *vrf-name* trap

The *vrf-name* parameter specifies the VRF that the user wants to display OSPF trap status for.

## Displaying OSPF virtual links for a VRF

To display the OSPF virtual links information for a specified VRF, enter the following command at any level of the CLI.

```
Brocade# show ip ospf vrf green virtual-link
No ospf virtual-link entries available
```

Syntax: show ip ospf vrf *vrf-name* virtual-link [*num*]

The *vrf-name* parameter specifies the VRF that the user wants to display OSPF virtual links information for.

The *num* parameter displays the table beginning at the specified entry number.

## Displaying OSPF virtual neighbor information for a VRF

To display the OSPF virtual neighbor information for a specified VRF, enter the following command at any level of the CLI.

```
Brocade# show ip ospf vrf green virtual neighbor
```

Syntax: `show ip ospf vrf vrf-name virtual neighbor [num]`

The *vrf-name* parameter specifies the VRF that the user wants to display OSPF virtual neighbor information for.

The *num* parameter displays the table beginning at the specified entry number.



## Displaying IP extcommunity list information

To display the IP Extcommunity information, enter the following command at any level of the CLI.

```
Brocade# show ip extcommunity-list
ip extcommunity access list 20:
  permit RT 100:1
```

Syntax: show ip extcommunity-list

For information about the fields, refer to the following.

**TABLE 134** Output of show IP extcommunity list

This field...	Displays...
ip extcommunity access list	The contents of all extended community lists on the Brocade device.

## Displaying the IP static route table for a VRF

To display the IP static route table for a VRF, enter the following command at any level of the CLI.

```
Brocade# show ip static route vrf green
IP Static Routing Table - entries:
  IP Prefix      Next Hop      Interface      Dis/Met/Tag      Name
  10.22.66.0/24  10.22.66.0   -              1/1/0            green
```

Syntax: show ip static route vrf *vrf-name*

The *vrf-name* parameter specifies the VRF that the user wants to display the static route table for.

Show run displays the entire name of the static IP route. The show ip static route command displays an asterisk (\*) after the first twelve characters when the assigned name is thirteen characters or more. The show ipv6 static route command displays an asterisk after the first two characters when the assigned name is three characters or more.

## Displaying the static ARP table for a VRF

To display the static ARP table for a VRF, enter the following command at any level of the CLI.

```
Brocade# show ip static-arp vrf green
Static ARP table size: 2048, configurable from 2048 to 4096
  Index  IP Address      MAC Address      Port
  1      10.95.6.111     2001:DB8.093b.d210  1/1
  3      10.95.6.123     2001:DB8.093b.d211  1/1
```

Syntax: show ip static-arp vrf *vrf-name*

The *vrf-name* parameter specifies the VRF that the user wants to display the static ARP table for.

## 6 Displaying additional BGP or MPLS VPN information

To clear the static ARP table in a VRF, enter the following command.

```
Brocade# clear arp vrf blue
```

Syntax: `clear arp vrf vrf-name`

### Displaying TCP connections for a VRF

The `show ip tcp vrf connections` command displays information about each TCP connection on the VRF, including the local IP address, local port number, remote IP address, remote port number and the state of the connection. For example.

```
Brocade# show ip tcp vrf green connections
Local IP address:port <-> Remote IP address:port TCP state      (hdl itc cln pdn)
0.0.0.0:179 <-> 0.0.0.0:0 LISTEN (000100bf: 13, 0, 0)
Total 1 TCP connections
```

Syntax: `show ip tcp vrf vrf-name connections`

The `vrf-name` parameter specifies the VRF that the user wants to display TCP connections for.

### Displaying MPLS statistics for a VRF

---

#### NOTE

Displaying MPLS statistics for a VRF is supported only on the Brocade NetIron XMR and Brocade MLX series devices.

---

To display MPLS statistics on a per-interface basis for a specified VRF, enter the following command at any level of the CLI.

```
Brocade# show mpls statistics vrf green
VRF Name      In-Port(s)      Endpt Out-Pkt      Tnl Out-Pkt
green         e3/1             0                 0
              e3/2             0                 0
              e3/3             0                 0
              e3/4             0                 0
              e6/1             0                 0
              e6/2             4367535952        0
              e6/3             0                 4366414365
              e6/4             0                 0
```

Syntax: `show mpls statistics vrf vrf-name`

The `vrf-name` parameter specifies the VRF that the user wants to display MPLS statistics for.

For information about the fields in this display, refer the following.

**TABLE 135** Output from the show MPLS statistics VRF command

This field...	Displays...
VRF Name	The name of the VRF MPLS statistics are being collected for.
In-Ports	The port where the traffic is received.
Endpt Out-Pkt	The number of packets transmitted out of local endpoints.
Tnl Out-Pkt	The number of packets transmitted out of lsp tunnels.

To clear the MPLS statistics counters.

```
Brocade# clear mpls statistics
```

Syntax: clear mpls statistics [label | tunnel | vpls | vrf]

The label parameter clears in-label statistics.

The tunnel parameter clears MPLS tunnel statistics.

The vpls parameter clears VPLS statistics.

The vrf parameter clears vrf statistics.

## Displaying IP route information for a VRF

Display IP route information for a specified VRF by entering the following command.

### NOTE

When BGP and static routes use an MPLS tunnel as the outgoing interface, the Gateway field displays DIRECT in the output of the show ip route vrf *ip-address* command. This is only applicable when displaying IPv4 routes.

```
Brocade# show ip route vrf yellow
Total number of IP routes: 2
Type Codes - B:BGP D:Connected S:Static R:RIP O:OSPF; Cost - Dist/Metric
      Destination      Gateway      Port      Cost      Type
1      10.8.8.8/32      DIRECT      loopback 1  0/0      D
2      10.9.9.8/32      DIRECT      lsp tol   200/0    B
```

Syntax: show ip route vrf *vrf-name* [*num*] | [*ip-addr*] | [bgp] | [connected] |[isis] | [ospf] | [rip] | [static] | [tags]

The *vrf-name* parameter specifies the VRF that the user wants to display IP route information for.

## Displaying RIP information for a VRF

To display RIP Information for a specified VRF, enter the following command at any level of the CLI.

## 6 Displaying additional BGP or MPLS VPN information

```
Brocade# show ip rip vrf black
RIP Summary
  Default port 520
    Administrative distance is 120
    Updates every 30 seconds, expire after 180
    Holddown lasts 180 seconds, garbage collect after 120
    Last broadcast 27, Next Update 29
    Need trigger update 0, Next trigger broadcast 3
    Minimum update interval 25, Max update Interval 5
    Split horizon is on; poison reverse is off
    Import metric 1
    Prefix List, Inbound : Not set
    Prefix List, Outbound : Not set
    Route-map, Inbound : Not set
```

Syntax: show ip rip vrf *vrf-name* [interface [ethernet *slot/port*]] | [route *ipaddress*]

The *vrf-name* parameter specifies the VRF that the user wants to display IP route information for.

To clear all RIP routes from a specified VRF, enter the following command.

```
Brocade# clear ip rip routes vrf blue
```

Syntax: clear ip rip routes vrf *vrf-name*

To clear all local RIP routes from a specified VRF, enter the following command.

```
Brocade# clear ip rip local routes vrf blue
```

Syntax: clear ip rip local routes vrf *vrf-name*

## BGP or MPLS VPN sample configurations

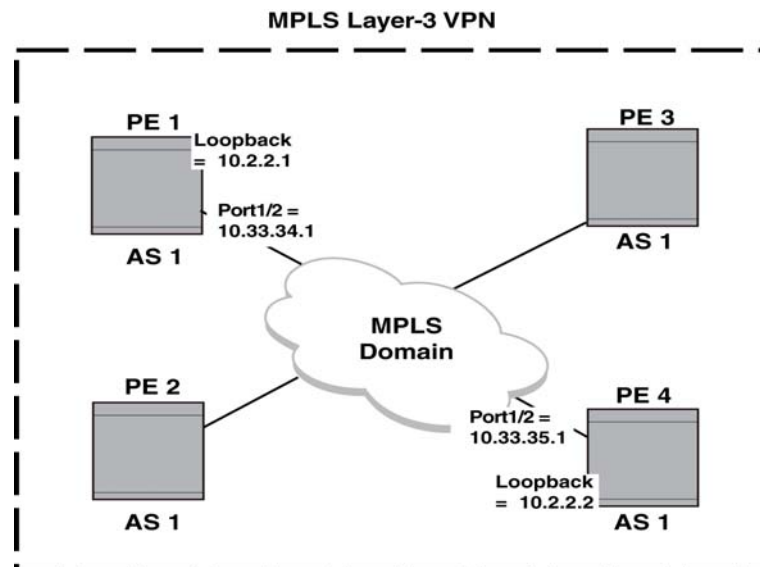
This section presents examples of typical MPLS configurations. The following sample configurations are presented:

- “Basic configuration example for IBGP on the PEs”
- “EBGP for route exchange”
- “Static routes for route exchange”
- “RIP for route exchange”
- “OSPF for route exchange”
- “Cooperative route filtering”
- “Using an IP extcommunity variable with route map”
- “Autonomous system number override”
- “Setting an LSP for each VRF on a PE”
- “OSPF sham links”

### Basic configuration example for IBGP on the PEs

PE routers use IBGP to exchange VRF routes. As in all BGP configurations, this is accomplished by configuring BGP neighbors where the user wants to exchange routes. When the neighbors are configured in the same AS, it is an IBGP configuration. In addition, because MPLS LSPs are made between router loopback addresses, the [update-source loopback] parameters must be used. The example in [Figure 73](#) shows two PE routers (PE 1 and PE 4) that are configured as BGP neighbors.

FIGURE 73 IBGP example



To configure IBGP on a Provider Edge router (PE) of a BGP or MPLS VPN network, the user must perform the configuration steps listed below.

1. “Assigning an AS number to a PE”
2. “Assigning a loopback interface”

### 3. “Configuring an IBGP neighbor on a PE”

#### Assigning an AS number to a PE

In the IBGP configuration used in a BGP or MPLS VPN, all PEs are configured with the same AS number. To assign the local AS number 1 to the PE 1 router as shown in [Figure 73](#), enter the following commands.

```
Brocade(config)# router bgp
Brocade(config-bgp)# local-as 1
```

#### Assigning a loopback interface

A loopback interface is used as the termination for address for BGP sessions. This allows BGP to stay up even when the outbound interface is down as long as an alternate path is available. To install the loopback interface on PE 1 as shown in [Figure 73](#), enter the following commands.

```
Brocade(config)# interface loopback 1
Brocade(config-lbif-1)# ip address 10.2.2.1/32
```

#### Configuring an IBGP neighbor on a PE

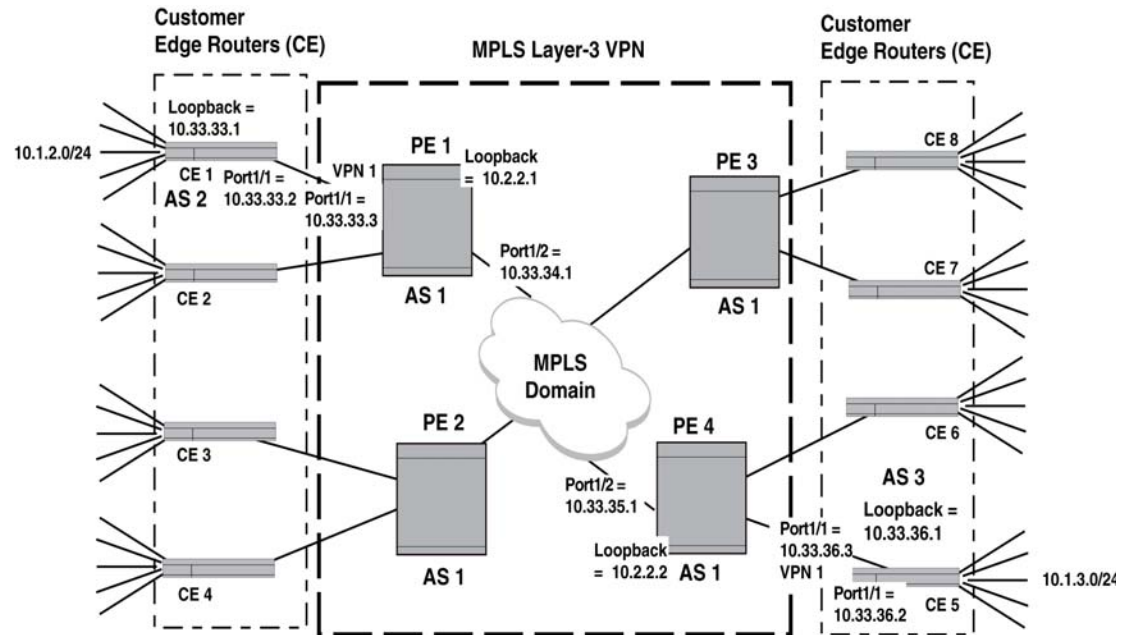
Other PEs that the user wants to exchange IBGP routes with must be configured as BGP neighbors. In addition, the neighbor must be set to enable the BGP to update the loopback address. To assign an IBGP neighbor with the IP address 10.33.35.1, a remote AS number of 1, and an update-source to loopback 1 of the PE 1 router shown in [Figure 73](#), enter the following commands.

```
Brocade(config-bgp)# neighbor 10.2.2.2 remote-as 1
Brocade(config-bgp)# neighbor 10.2.2.2 update-source loopback 1
Brocade(config-bgp)# address-family vpnv4 unicast
Brocade(config-bgp-vpnv4u)# neighbor 10.2.2.2 activate
```

#### EBGP for route exchange

EBGP can be used to exchange routes for CE routers to PE routers. In this situation, a BGP neighbor must be configured on CE and PE routers. In the example shown in [Figure 74](#), the CE 1 router is configured to exchange routes with the PE 1 router and the CE 5 router is configured to exchange routes with the PE 4 router.

FIGURE 74 EBGP to CE network example



To configure EBGP to exchange routes between PE routers and CE routers, the user must perform the configuration steps listed below.

1. “Configuring EBGP on a CE router”.
2. “Configuring EBGP on a PE router”.

### Configuring EBGP on a CE router

To allow route exchange between a CE router and its associated PE router, BGP must be enabled on the CE router and the associated PE router must be configured as a BGP neighbor. To enable BGP on CE 1 and assign PE 1 as a BGP neighbor in the network shown in [Figure 74](#), enter the following commands.

```
Brocade(config)# router bgp
Brocade(config-bgp)# local-as 2
Brocade(config-bgp)# neighbor 10.33.33.3 remote-as 1
```

### Configuring EBGP on a PE router

To allow route exchange between a VRF on a PE router and its associated CE router, BGP must be enabled on the appropriate VRF of the PE router and the associated CE router must be configured as a BGP neighbor. To assign CE 1 as a BGP neighbor to the VRF VPN1 on PE 1 in the network shown in [Figure 74](#), enter the following commands.

```
Brocade(config-bgp)# address-family ipv4 unicast vrf VPN1
Brocade(config-bgp-ipv4u-vrf)# neighbor 10.33.33.2 remote-as 2
```

## EBGP to CE network example

In the example shown in [Figure 74](#), the network is configured to use EBGP to forward routes between the networks attached to the CE routers and the PE routers. IBGP is used to forward routes between the PE routers and an LSP tunnel is configured across the MPLS domain. [Figure 74](#) contains all of the network addresses and AS numbers required to perform this configuration. The configurations are shown for only the CE 1, CE 5, PE 1 and PE 5 routers, which demonstrates what is required to make VPN1 work. The configurations for VPN2, VPN3, and VPN 4 would essentially be the same.

### CE 1 configuration

This configuration example describes what is required to operate the CE 1 router in [Figure 74](#). In this example, a static route is configured between the external network (10.1.2.0/24) and the loopback interface. EBGP is configured between CE 1 and PE 1, and the static route is redistributed through this connection.

```
Brocade(config)# ip route 10.1.2.0/24 10.33.33.1
Brocade(config)# router bgp
Brocade(config-bgp)# local-as 2
Brocade(config-bgp)# neighbor 10.33.33.3 remote-as 1
Brocade(config-bgp)# redistribute static
Brocade(config-bgp)# exit

Brocade(config)# interface ethernet 1/1
Brocade(config-if-e10000-1/1)# ip address 10.33.33.2/24
Brocade(config-if-e10000-1/1)# exit
```

### CE 5 configuration

This configuration example describes what is required to operate the CE 5 router in [Figure 74](#). In this example, a static route is configured between the external network (10.1.3.0/24) and the loopback interface. EBGP is configured between CE 5 and PE 4, and the static route is redistributed through this connection.

```
Brocade(config)# interface loopback 1
Brocade(config-lbif-1)# ip address 10.33.36.1/32
Brocade(config-lbif-1)# exit

Brocade(config)# ip route 10.1.3.0/24 10.33.36.1
Brocade(config)# router bgp
Brocade(config)# local-as 3
Brocade(config-bgp)# neighbor 10.33.36.3 remote-as 1
Brocade(config-bgp)# redistribute static
Brocade(config-bgp)# exit

Brocade(config)# interface ethernet 1/1
Brocade(config-if-e10000-1/1)# ip address 10.33.36.2/24
Brocade(config-if-e10000-1/1)# exit
```



## PE 1 configuration

This configuration example describes what is required to operate the PE 1 router in [Figure 74](#). In this example, the VRF VPN1 is created with a unique route descriptor consisting of the BGP AS number (1) and a random other number (2), and route targets are set for import and export. The VRF (VPN1) is defined on the interface that connects to CE 1. EBGP is configured between VPN1 and CE 1. IBGP with extended community attributes is configured between PE 1 and PE 4.

The OSPF area is specified as 0 and MPLS is set up for OSPF traffic engineering. In addition, MPLS is configured with a signalled LSP named “tunnel1” to PE 4.

```

Brocade(config)# interface loopback 1
Brocade(config-lbif-1)# ip address 10.2.2.1/32
Brocade(config-lbif-1)# ip ospf area 0
Brocade(config-lbif-1)# exit

Brocade(config)# vrf VPN1
Brocade(config-vrf-vpn1)# rd 1:1
Brocade(config-vrf-vpn1)# route-target export 100:1
Brocade(config-vrf-vpn1)# route-target import 100:2
Brocade(config-vrf-vpn1)# exit-vrf

Brocade(config)# router bgp
Brocade(config-bgp)# local-as 1
Brocade(config-bgp)# neighbor 10.2.2.2 remote-as 1
Brocade(config-bgp)# neighbor 10.2.2.2 update-source loopback 1
Brocade(config-bgp)# address-family vpnv4 unicast
Brocade(config-bgp-vpnv4u)# neighbor 10.2.2.2 activate
Brocade(config-bgp-vpnv4u)# exit

Brocade(config-bgp)# address-family ipv4 unicast vrf VPN1
Brocade(config-bgp-ipv4u-vrf)# neighbor 10.33.33.2 remote-as 2
Brocade(config-bgp-ipv4u-vrf)# exit

Brocade(config)# router ospf
Brocade(config-ospf-router)# area 0
Brocade(config-ospf-router)# exit

Brocade(config)# interface ethernet 1/2
Brocade(config-if-e10000-1/2)# ip address 10.33.34.1/24
Brocade(config-if-e10000-1/2)# ip ospf area 0
Brocade(config-if-e10000-1/2)# exit

Brocade(config)# router mpls
Brocade(config-mpls)# policy
Brocade(config-mpls-policy)# traffic-engineering ospf
Brocade(config-mpls)# mpls-interface eth 1/2
Brocade(config-mpls)# lsp tunnel1
Brocade(config-mpls-lsp-tunnel1)# to 10.2.2.2
Brocade(config-mpls-lsp-tunnel1)# enable
Brocade(config-mpls-lsp-tunnel1)# exit

Brocade(config)# interface ethernet 1/1
Brocade(config-if-e10000-1/1)# vrf forwarding VPN1
Brocade(config-if-e10000-1/1)# ip address 10.33.33.3/24

```

## PE 4 configuration

This configuration example describes what is required to operate the PE 2 router in [Figure 74](#). In this example, the VRF VPN1 is created with a unique route descriptor consisting of the BGP AS number (1) and a random other number (2), and route targets are set for import and export. The VRF (VPN1) is defined on the interface that connects to CE 5. EBGP is configured between VPN1 and CE 5. IBGP with extended community attributes is configured between PE 4 and PE 1.

The OSPF area is specified as 0 and MPLS is set up for OSPF traffic engineering. In addition, MPLS is configured with a signalled LSP named “tunnel1” to PE 1.

```

Brocade(config)# interface loopback 1
Brocade(config-lbif-1)# ip address 10.2.2.2/32
Brocade(config-lbif-1)# ip ospf area 0
Brocade(config-lbif-1)# exit

PE4(config)# vrf VPN1
PE4(config-vrf-vpn1)# rd 1:2
PE4(config-vrf-vpn1)# route-target export 100:2
PE4(config-vrf-vpn1)# route-target import 100:1
PE4(config-vrf-vpn1)# exit-vrf

Brocade(config)# router bgp
Brocade(config-bgp)# local-as 1
Brocade(config-bgp)# neighbor 10.2.2.1 remote-as 1
Brocade(config-bgp)# neighbor 10.2.2.1 update-source loopback 1
Brocade(config-bgp)# address-family vpnv4 unicast
Brocade(config-bgp-vpnv4u)# neighbor 10.2.2.1 activate
Brocade(config-bgp)# address-family ipv4 unicast vrf VPN1
Brocade(config-bgp-ipv4u-vrf)# neighbor 10.33.36.2 remote-as 2
Brocade(config-bgp-ipv4u-vrf)# exit

Brocade(config)# router ospf
Brocade(config-ospf-router)# area 0
Brocade(config-ospf-router)# exit

Brocade(config)# interface ethernet 1/2
Brocade(config-if-e10000-1/2)# ip address 10.33.35.1/24
Brocade(config-if-e10000-1/2)# ip ospf area 0
Brocade(config-if-e10000-1/2)# exit

Brocade(config)# router mpls
Brocade(config-mpls)# policy
Brocade(config-mpls-policy)# traffic-engineering ospf
Brocade(config-mpls)# mpls-interface eth 1/2
Brocade(config-mpls)# lsp tunnel1
Brocade(config-mpls-lsp-tunnel1)# to 10.2.2.1
Brocade(config-mpls-lsp-tunnel1)# enable
Brocade(config-mpls-lsp-tunnel1)# exit

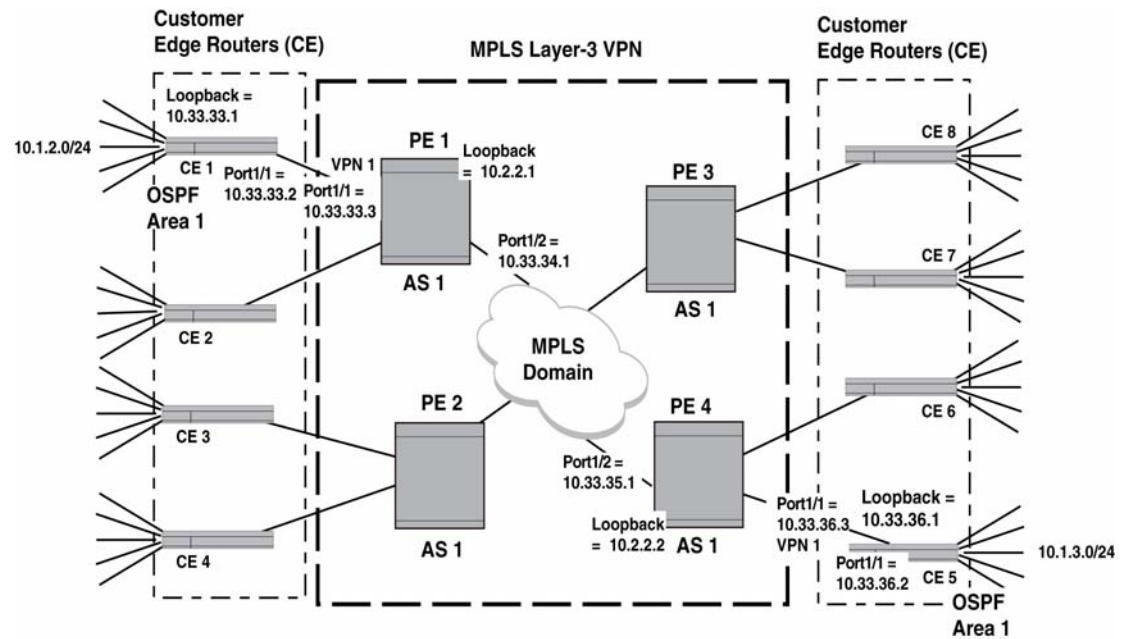
Brocade(config)# interface ethernet 1/1
Brocade(config-if-e10000-1/1)# vrf forwarding VPN1
Brocade(config-if-e10000-1/1)# ip address 10.33.36.3/24
Brocade(config-if-e10000-1/1)# exit

```

## Static routes for route exchange

Static routes can be used to exchange routes between CE routers and PE routers. In this situation, a default static route must be configured on a CE router to its associated PE router. A static route must be configured between the PE router and the network (or networks) that the PE wants to advertise as available through a VRF.

FIGURE 75 Static route to CE network example



To configure static routes to exchange routes between PE routers and CE routers, the user must perform the configuration steps listed below.

1. “Configuring a static default route on a CE router”
2. “Configuring a static default route on a PE router”

### Configuring a static default route on a CE router

To allow route exchange between a CE router and its associated PE router, a static default route must be created to the interface on the associated PE router where the VPN is enabled. In [Figure 75](#), the PE 1 router has the VRF “VPN1” enabled on port 1/1, which has the IP address 10.33.33.3. To create a default static route from CE 1 to this interface on PE 1, enter the following command.

```
Brocade(config)# ip route 0.0.0.0 10.33.33.3
```

## Configuring a static default route on a PE router

To allow route exchange between a PE router and its associated CE router, a static route must be created to the route that the user wants to provide access to with a next hop consisting of the IP address of the interface that is connected to the VRF. In [Figure 75](#), the IP address of the connected port on the CE router is 10.33.33.2, and the address on the CE that is provided access from the PE's VRF is 10.1.2.0/24. To create a static route from PE 1 to CE 1, enter the following command.

```
Brocade(config)# ip route vrf VPN1 10.1.2.0/24 10.33.33.2
```

## Static route to CE example

In this example, the network shown in [Figure 75](#) is configured for a default static route to forward routes between the networks attached to the CE routers and the PE routers. IBGP is used to forward routes between the PE routers and an LSP tunnel is configured across the MPLS domain. [Figure 75](#) contains all of the network addresses and AS numbers required to perform this configuration. The configurations are shown for only the CE 1, CE 5, PE 1 and PE 5 routers which demonstrates what is required to make VPN1 work. The configurations for VPN2, VPN3, and VPN 4 would essentially be the same.

### CE 1 configuration

This configuration example describes what is required to operate the CE 1 router in [Figure 75](#). In this example, a default static route is configured between the CE 1 router and the attached interface of PE 1.

```
Brocade(config)# ip route 0.0.0.0/0 10.33.33.3
Brocade(config)# interface ethernet 1/1
Brocade(config-if-e10000-1/1)# ip address 10.33.33.2
```

### CE 5 configuration

This configuration example describes what is required to operate the CE 5 router in [Figure 75](#). In this example, a default static route is configured between the CE 5 router and the attached interface of PE 4.

```
Brocade(config)# ip route 0.0.0.0/0 10.33.36.3
Brocade(config)# interface ethernet 1/1
Brocade(config-if-e10000-1/1)# ip address 10.33.34.2
```

### PE 1 configuration

This configuration example describes what is required to operate the PE 1 router in [Figure 75](#). In this example, the VRF VPN1 is created with a unique route descriptor consisting of the BGP AS number (1) and a random other number (2), and route targets are set for import and export. The VRF (VPN1) is defined on the interface that connects to CE 1. A static route is configured between this router and the network connected to CE 1. IBGP with extended community attributes is configured between PE 1 and PE 4.

The OSPF area is specified as 0 and MPLS is set up for OSPF traffic engineering. In addition, MPLS is configured with a signaled LSP named "tunnel1" to PE 4.

```

Brocade(config)# interface loopback 1
Brocade(config-lbif-1)# ip address 10.2.2.1/24
Brocade(config-lbif-1)# ip ospf area 0
Brocade(config-lbif-1)# exit

Brocade(config)# vrf VPN1
Brocade(config-vrf-vpn1)# rd 1:1
Brocade(config-vrf-vpn1)# route-target export 100:1
Brocade(config-vrf-vpn1)# route-target import 100:2
Brocade(config-vrf-vpn1)# exit-vrf

Brocade(config)# ip route vrf VPN1 10.1.2.0/24 10.33.33.2
Brocade(config)# router bgp
Brocade(config-bgp)# local-as 1
Brocade(config-bgp)# neighbor 10.2.2.2 remote-as 1
Brocade(config-bgp)# neighbor 10.2.2.2 update-source loopback 1
Brocade(config-bgp)# address-family vpnv4 unicast
Brocade(config-bgp-vpnv4u)# neighbor 10.2.2.2 activate
Brocade(config-bgp)# address-family ipv4 unicast vrf VPN1
Brocade(config-bgp-ipv4u-vrf)# redistribute static
Brocade(config-bgp-ipv4u-vrf)# exit

Brocade(config)# router ospf
Brocade(config-ospf-router)# area 0
Brocade(config-ospf-router)# exit

Brocade(config)# interface ethernet 1/2
Brocade(config-if-e10000-1/2)# ip address 10.33.34.1/24
Brocade(config-if-e10000-1/2)# ip ospf area 0
Brocade(config-if-e10000-1/2)# exit

Brocade(config)# router mpls
Brocade(config-mpls)# policy
Brocade(config-mpls-policy)# traffic-engineering ospf
Brocade(config-mpls)# mpls-interface eth 1/2
Brocade(config-mpls)# lsp tunnel1
Brocade(config-mpls-lsp-tunnel1)# to 10.2.2.2
Brocade(config-mpls-lsp-tunnel1)# enable
Brocade(config-mpls-lsp-tunnel1)# exit

Brocade(config)# interface ethernet 1/1
Brocade(config-if-e10000-1/1)# vrf forwarding VPN1
Brocade(config-if-e10000-1/1)# ip address 10.33.33.3/24
Brocade(config-if-e10000-1/1)#

```

## PE 4 configuration

This configuration example describes what is required to operate the PE 4 router in [Figure 75](#). In this example, the VRF VPN1 is created with a unique route descriptor consisting of the BGP AS number (1) and a random other number (2), and route targets are set for import and export. The VRF (VPN1) is defined on the interface that connects to CE 5. A static route is configured between this router and the network connected to CE 5.

IBGP with extended community attributes is configured between PE 1 and PE 4. The OSPF area is specified as 0 and MPLS is set up for OSPF traffic engineering. In addition, MPLS is configured with a signalled LSP named “tunnel1” to PE 1.

## 6 BGP or MPLS VPN sample configurations

```
Brocade(config)# interface loopback 1
Brocade(config-lbif-1)# ip address 10.2.2.2/32
Brocade(config-lbif-1)# ip ospf area 0
Brocade(config-lbif-1)# exit

Brocade(config)# vrf VPN1
Brocade(config-vrf-vpn1)# rd 1:2
Brocade(config-vrf-vpn1)# route-target export 100:2
Brocade(config-vrf-vpn1)# route-target import 100:1
Brocade(config-vrf-vpn1)# exit-vrf

Brocade(config)# ip route vrf VPN1 10.1.2.0/24 10.33.36.2
Brocade(config)# router bgp
Brocade(config-bgp)# local-as 1
Brocade(config-bgp)# neighbor 10.2.2.1 remote-as 1
Brocade(config-bgp)# neighbor 10.2.2.1 update-source loopback 1
Brocade(config-bgp)# address-family vpnv4 unicast
Brocade(config-bgp-vpnv4u)# neighbor 10.2.2.1 activate
Brocade(config-bgp)# address-family ipv4 unicast vrf VPN1
Brocade(config-bgp-ipv4u-vrf)# redistribute static
Brocade(config-bgp-ipv4u-vrf)# exit

Brocade(config)# router ospf
Brocade(config-ospf-router)# area 0
Brocade(config-ospf-router)# exit

Brocade(config)# interface ethernet 1/2
Brocade(config-if-e10000-1/2)# ip address 10.33.35.1/24
Brocade(config-if-e10000-1/2)# ip ospf area 0
Brocade(config-if-e10000-1/2)# exit

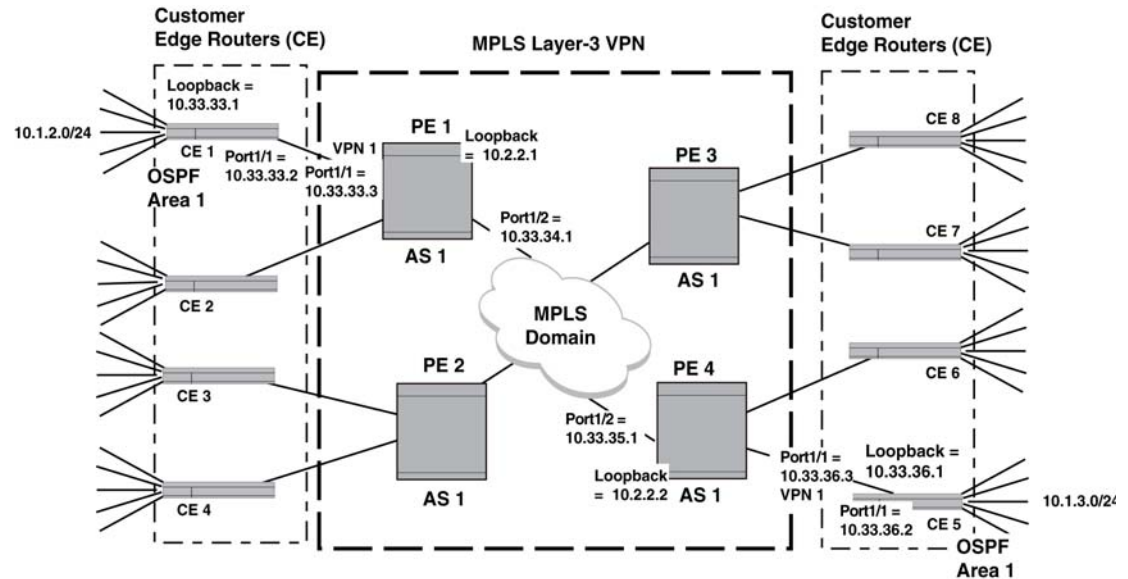
Brocade(config)# router mpls
Brocade(config-mpls)# policy
Brocade(config-mpls-policy)# traffic-engineering ospf
Brocade(config-mpls)# mpls-interface eth 1/2
Brocade(config-mpls)# lsp tunnell
Brocade(config-mpls-lsp-tunnell)# to 10.2.2.1
Brocade(config-mpls-lsp-tunnell)# enable
Brocade(config-mpls-lsp-tunnell)# exit

Brocade(config)# interface ethernet 1/1
Brocade(config-if-e10000-1/1)# vrf forwarding VPN1
Brocade(config-if-e10000-1/1)# ip address 10.33.36.3/24
Brocade(config-if-e10000-1/1)# exit
```

### RIP for route exchange

RIP can be used to exchange routes between CE routers and PE routers. In this situation, RIP must be enabled on the CE router and enabled on the interface that is connected to the interface of the PE that is associated with the VRF that the user wants to advertise RIP routes on. On the PE router, the VRF must be enabled to redistribute RIP routes, and RIP must be enabled for the VRF and configured to redistribute routes from BGP in the VRF. [Figure 76](#) provides an example of a network where RIP is used to exchange routes between CE routers and PE routers.

FIGURE 76 RIP to CE network example



To configure RIP to exchange routes between PE routers and CE routers, the user must perform the configuration steps listed below.

1. “Configuring RIP on the CE router”
2. “Enabling RIP on the CE router’s interface”
3. “Configuring the VRF on the PE router to redistribute RIP routes”
4. “Configuring RIP on the PE router to redistribute BGP-VPNv4 routes”
5. “Enabling RIP on the PE router interface”

## Configuring RIP on the CE router

To allow RIP route exchange between a CE router and its associated PE router, RIP must be enabled on the CE router. To configure RIP on the CE 1 router in [Figure 76](#) and enable it to redistribute static routes through RIP, enter the following commands.

```
Brocade(config)# router rip
Brocade(config-rip-router)# redistribute static
```

## Enabling RIP on the CE router’s interface

To allow RIP route exchange between a CE router and its associated PE router, RIP must be enabled on the interface that connects to the VRF-enabled interface of its associated PE router. To configure RIP on the interface of the CE 1 router in [Figure 76](#) that is connected to the VRF VPN1 associated interface on PE 1, enter the following commands.

```
Brocade(config)# interface ethernet 1/1
Brocade(config-if-e10000-1/1)# ip rip v2-only
Brocade(config-if-e10000-1/1)# ip address 10.33.33.2
```

## Configuring the VRF on the PE router to redistribute RIP routes

To allow RIP route exchange between a specified VRF on a PE router and its associated CE router, the VRF must be enabled redistribute RIP routes. To enable the VRF VPN1 on PE 1 router in [Figure 76](#) to redistribute RIP routes, enter the following commands.

```
Brocade(config-bgp)# address-family ipv4 unicast vrf VPN1
Brocade(config-bgp-ipv4u-vrf)# redistribute rip
```

## Configuring RIP on the PE router to redistribute BGP-VPNv4 routes

To allow RIP route exchange between a specified VRF on a PE router and its associated CE router, RIP must be configured to redistribute BGP routes from the local AS. To enable RIP on PE 1 in [Figure 76](#) and configure it to redistribute BGP-VPNv4 routes into RIP, enter the following commands.

```
Brocade(config)# router rip vrf VPN1
Brocade(config-rip-router)# redistribute bgp
```

## Enabling RIP on the PE router interface

To allow RIP route exchange between a PE router and its associated CE router, RIP must be enabled on the PE's interface that is associated with the VRF and connected to the PE router. To configure RIP on the interface of the PE 1 router that is associated with VRF VPN1 in [Figure 76](#) to CE 1, enter the following commands.

```
Brocade(config)# interface ethernet 1/1
Brocade(config-if-e10000-1/1)# vrf forwarding VPN1
Brocade(config-if-e10000-1/1)# ip address 10.33.33.3/24
Brocade(config-if-e10000-1/1)# ip rip v2-only
```

## RIP to CE example

In this example, the network shown in [Figure 76](#) is configured for RIP to forward routes between the networks attached to the CE routers and the PE routers. IBGP is used to forward routes between the PE routers and an LSP tunnel is configured across the MPLS domain. [Figure 76](#) contains all of the network addresses and AS numbers required to perform this configuration. The configurations are shown for only the CE 1, CE 5, PE 1 and PE 5 routers, which demonstrates what is required to make VPN1 work. The configurations for VPN2, VPN3, and VPN 4 would essentially be the same.

### CE 1 configuration

This configuration example describes what is required to operate the CE 1 router in [Figure 76](#). In this example, a static route is configured between the external network (10.1.2.0/24) and the loopback interface. RIP is configured to redistribute static routes between the CE 1 router and the attached interface of PE 1.

```
Brocade(config)# interface loopback 1
Brocade(config-lbif-1)# ip address 10.33.33.1/32
Brocade(config-lbif-1)# exit

Brocade(config)# ip route 10.1.2.0/24 10.33.33.1
```



```

Brocade(config)# router rip
Brocade(config-lbif-1)# redistribute static
Brocade(config-lbif-1)# exit

Brocade(config)# interface ethernet 1/1
Brocade(config-if-e10000-1/1)# ip rip v2-only
Brocade(config-if-e10000-1/1)# ip address 10.33.33.2
Brocade(config-if-e10000-1/1)# exit

```

### CE 5 configuration

This configuration example describes what is required to operate the CE 5 router in [Figure 76](#). In this example, a static route is configured between the external network (10.1.3.0/24) and the loopback interface. RIP is configured to redistribute static routes between the CE 5 router and the attached interface of PE 4.

```

Brocade(config)# interface loopback 1
Brocade(config-lbif-1)# ip address 10.33.36.1/32
Brocade(config-lbif-1)# exit

Brocade(config)# ip route 10.1.3.0/24 10.33.36.1
Brocade(config)# router rip
Brocade(config-rip-router)# redistribute static
Brocade(config-rip-router)# exit

Brocade(config)# interface ethernet 1/1
Brocade(config-if-e10000-1/1)# ip rip v2-only
Brocade(config-if-e10000-1/1)# ip address 10.33.36.2
Brocade(config-if-e10000-1/1)# exit

```

### PE 1 configuration

This configuration example describes what is required to operate the PE 1 router in [Figure 76](#). In this example, the VRF VPN1 is created with a unique route descriptor consisting of the BGP AS number (1) and a random other number (2), and route targets are set for import and export. The VRF (VPN1) is defined on the interface that connects to CE 1. RIP is configured on the VRF named VPN1 to exchange routes with CE 1 and to redistribute routes from across the MPLS domain.

IBGP with extended community attributes is configured between PE 1 and PE 4. The OSPF area is specified as 0 and MPLS is set up for OSPF traffic engineering. In addition, MPLS is configured with a signalled LSP named "tunnel1" to PE 1.

```

Brocade(config)# interface loopback 1
Brocade(config-lbif-1)# ip address 10.2.2.1/32
Brocade(config-lbif-1)# ip ospf area 0
Brocade(config-lbif-1)# exit

Brocade(config)# vrf VPN1
Brocade(config-vrf-vpn1)# rd 1:1
Brocade(config-vrf-vpn1)# route-target export 100:1
Brocade(config-vrf-vpn1)# route-target import 100:2
Brocade(config-vrf-vpn1)# exit-vrf

Brocade(config)# router bgp
Brocade(config-bgp)# local-as 1
Brocade(config-bgp)# neighbor 10.2.2.2 remote-as 1
Brocade(config-bgp)# neighbor 10.2.2.2 update-source loopback 1
Brocade(config-bgp)# address-family vpnv4 unicast

```

## 6 BGP or MPLS VPN sample configurations

```
Brocade(config-bgp-vpnv4u)# neighbor 10.2.2.2 activate
Brocade(config-bgp)# address-family ipv4 unicast vrf VPN1
Brocade(config-bgp-ipv4u-vrf)# redistribute rip
Brocade(config-bgp-ipv4u-vrf)# exit
```

```
Brocade(config)# router rip vrf VPN1
Brocade(config-rip-router)# redistribute bgp
Brocade(config-rip-router)# exit
```

```
Brocade(config)# router ospf
Brocade(config-ospf-router)# area 0
Brocade(config-ospf-router)#
```

```
Brocade(config)# interface ethernet 1/2
Brocade(config-if-e10000-1/2)# ip address 10.33.34.1/24
Brocade(config-if-e10000-1/2)# ip ospf area 0
Brocade(config-if-e10000-1/2)# exit
```

```
Brocade(config)# router mpls
Brocade(config-mpls)# policy
Brocade(config-mpls-policy)# traffic-engineering ospf
Brocade(config-mpls)# mpls-interface eth 1/2
Brocade(config-mpls)# lsp tunnel1
Brocade(config-mpls-lsp-tunnel1)# to 10.2.2.2
Brocade(config-mpls-lsp-tunnel1)# enable
Brocade(config-mpls-lsp-tunnel1)# exit
```

```
Brocade(config)# interface ethernet 1/1
Brocade(config-if-e10000-1/1)# vrf forwarding VPN1
Brocade(config-if-e10000-1/1)# ip address 10.33.33.3/24
Brocade(config-if-e10000-1/1)# ip rip v2-only
Brocade(config-if-e10000-1/1)# exit
```

### PE 4 configuration

This configuration example describes what is required to operate the PE 4 router in [Figure 76](#). In this example, the VRF VPN1 is created with a unique route descriptor consisting of the BGP AS number (1) and a random other number (2), and route targets are set for import and export. The VRF (VPN1) is defined on the interface that connects to CE 5. RIP is configured on the VRF named VPN1 to exchange routes with CE 1 and to redistribute routes from across the MPLS domain.

IBGP with extended community attributes is configured between PE 4 and PE 1. The OSPF area is specified as 0, and MPLS is set up for OSPF traffic engineering. In addition, MPLS is configured with a signaled LSP named “tunnel1” to PE 1.

```
Brocade(config)# interface loopback 1
Brocade(config-lbif-1)# ip address 10.2.2.2/24
Brocade(config-lbif-1)# ip ospf area 0
Brocade(config-lbif-1)# exit
```

```
Brocade(config)# vrf VPN1
Brocade(config-vrf-vpn1)# rd 1:2
Brocade(config-vrf-vpn1)# route-target export 100:2
Brocade(config-vrf-vpn1)# route-target import 100:1
Brocade(config-vrf-vpn1)# exit-vrf
```

```
Brocade(config)# router bgp
Brocade(config-bgp)# local-as 1
Brocade(config-bgp)# neighbor 10.2.2.1 remote-as 1
```

```

Brocade(config-bgp)# neighbor 10.2.2.1 update-source loopback 1
Brocade(config-bgp)# address-family vpnv4 unicast
Brocade(config-bgp-vpnv4u)# neighbor 10.2.2.1 activate
Brocade(config-bgp)# address-family ipv4 unicast vrf VPN1
Brocade(config-bgp-ipv4u-vrf)# redistribute rip
Brocade(config-bgp-ipv4u-vrf)# exit

Brocade(config)# router rip vrf VPN1
Brocade(config-rip-router)# redistribute bgp
Brocade(config-rip-router)# exit

Brocade(config)# router ospf
Brocade(config-ospf-router)# area 0
Brocade(config-ospf-router)# exit

Brocade(config)# interface ethernet 1/2
Brocade(config-if-e10000-1/2)# ip address 10.33.35.1/24
Brocade(config-if-e10000-1/2)# ip ospf area 0
Brocade(config-if-e10000-1/2)# exit

Brocade(config)# router mpls
Brocade(config-mpls)# policy
Brocade(config-mpls-policy)# traffic-engineering ospf
Brocade(config-mpls)# mpls-interface eth 1/2
Brocade(config-mpls)# lsp tunnell
Brocade(config-mpls-lsp-tunnell)# to 10.2.2.1
Brocade(config-mpls-lsp-tunnell)# enable
Brocade(config-mpls-lsp-tunnell)# exit

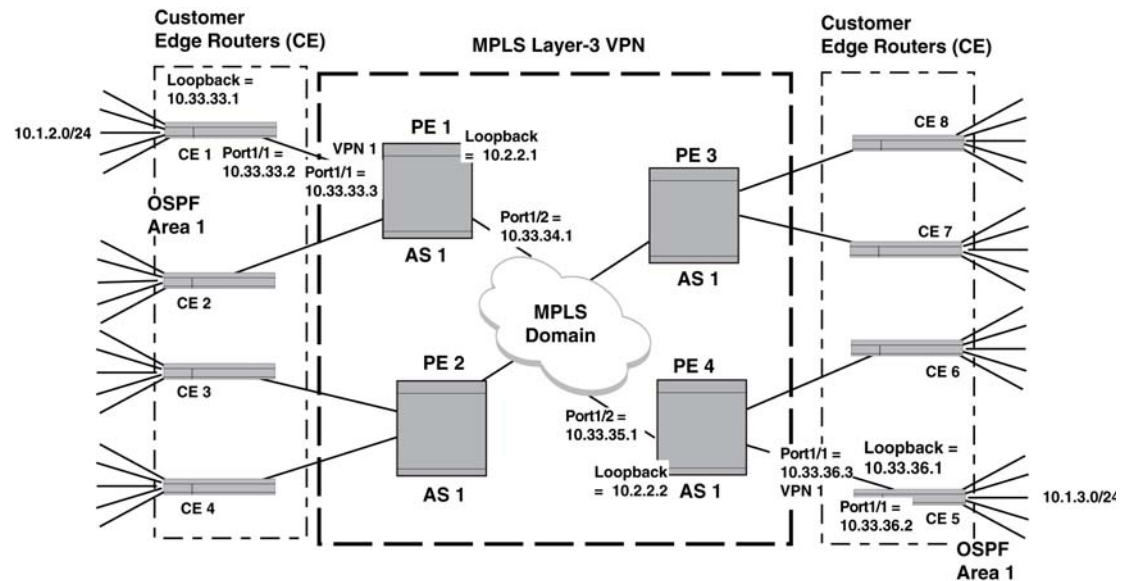
Brocade(config)# interface ethernet 1/1
Brocade(config-if-e10000-1/1)# vrf forwarding VPN1
Brocade(config-if-e10000-1/1)# ip address 10.33.36.3/24
Brocade(config-if-e10000-1/1)# ip rip v2-only
Brocade(config-if-e10000-1/1)# exit

```

## OSPF for route exchange

OSPF can be used to exchange routes between CE routers and PE routers. In this situation, OSPF must be enabled on the CE router with a local area and enabled on the interface that is connected to the interface of the PE that is associated with the VRF that the user wants to advertise OSPF routes on. On the PE router, the VRF must be enabled in BGP to redistribute OSPF routes, and OSPF must be enabled for the VRF and configured to redistribute routes from BGP-VPNv4. [Figure 77](#) provides an example of a network where OSPF is used to exchange routes between CE routers and PE routers.

FIGURE 77 OSPF to CE network example



To configure OSPF to exchange routes between PE routers and CE routers, the user must perform the configuration steps listed below.

1. “Configuring OSPF on the CE router”.
2. “Enabling OSPF on the CE router interface”.
3. “Configuring the VRF on the PE router to redistribute OSPF routes”.
4. “Configuring OSPF on the PE router to redistribute BGP-VPNv4 routes”.
5. “Enabling OSPF on the PE router interface”.

## Configuring OSPF on the CE router

To allow OSPF route exchange between a CE router and its associated PE router, OSPF must be enabled on the CE router. To configure OSPF on the CE 1 router for local area 1 in Figure 77 and enable it to redistribute static routes through OSPF, enter the following commands.

```
Brocade(config)# router ospf
Brocade(config-ospf-router)# area 1
Brocade(config-ospf-router)# redistribute static
```

## Enabling OSPF on the CE router interface

To allow OSPF route exchange between a CE router and its associated PE router, OSPF must be enabled on the interface that connects to the VRF-enabled interface of its associated PE router. To configure OSPF on the interface of the CE 1 router in Figure 77 that is connected to the VRF VPN1 associated interface on PE 1, enter the following commands.

```
Brocade(config)# interface ethernet 1/1
Brocade(config-if-e10000-1/1)# ip ospf area 1
Brocade(config-if-e10000-1/1)# ip address 10.33.33.2
```

## Configuring the VRF on the PE router to redistribute OSPF routes

To allow OSPF route exchange between a specified VRF on a PE router and its associated CE router, the VRF must be enabled to redistribute OSPF routes. To enable the VRF VPN1 on PE 1 router in [Figure 77](#) to redistribute OSPF routes, enter the following commands.

```
Brocade(config-bgp)# address-family ipv4 unicast vrf VPN1
Brocade(config-bgp-ipv4u-vrf)# redistribute ospf match internal
Brocade(config-bgp-ipv4u-vrf)# redistribute ospf match external1
Brocade(config-bgp-ipv4u-vrf)# redistribute ospf match external2
```

## Configuring OSPF on the PE router to redistribute BGP-VPNv4 routes

To allow OSPF route exchange between a specified VRF on a PE router and its associated CE router, OSPF must be configured to redistribute BGP routes from the local AS. To enable OSPF on PE 1 in [Figure 77](#) and configure it to redistribute BGP-VPNv4 routes into OSPF, enter the following commands.

```
Brocade(config)# router ospf vrf VPN1
Brocade(config-ospf-router)# domain-id 0.0.0.100
Brocade(config-ospf-router)# domain-tag 1200
Brocade(config-ospf-router)# area 1
Brocade(config-ospf-router)# redistribute bgp
```

## Enabling OSPF on the PE router interface

To allow OSPF route exchange between a PE router and its associated CE router, OSPF must be enabled on the PE's interface that is associated with the VRF and connected to the PE router. To configure OSPF on the interface of the PE 1 router that is associated with VRF VPN1 in [Figure 77](#) to CE 1, enter the following commands.

```
Brocade(config)# interface ethernet 1/1
Brocade(config-if-e10000-1/1)# vrf forwarding VPN1
Brocade(config-if-e10000-1/1)# ip address 10.33.33.3/24
Brocade(config-if-e10000-1/1)# ip ospf area 1
```

## OSPF to CE example

In this example, the network shown in [Figure 77](#) is configured for OSPF to forward routes between the networks attached to the CE routers and the PE routers. IBGP is used to forward routes between the PE routers and an LSP tunnel is configured across the MPLS domain. [Figure 77](#) contains all of the network addresses and AS numbers required to perform this configuration. The configurations are shown for only the CE 1, CE 5, PE 1 and PE 5 routers, which demonstrates what is required to make VPN1 work. The configurations for VPN2, VPN3, and VPN 4 would essentially be the same.

### CE 1 configuration

This configuration example describes what is required to operate the CE 1 router in [Figure 77](#). In this example, a static route is configured between the external network (10.1.2.0/24) and the loopback interface. OSPF is configured to redistribute static routes between the CE 1 router and the attached interface of PE 1.

## 6 BGP or MPLS VPN sample configurations

```
Brocade(config)# interface loopback 1
Brocade(config-lbif-1)# ip address 10.33.33.1/32
Brocade(config-lbif-1)# exit

Brocade(config)# ip route 10.1.2.0/24 10.33.33.1
Brocade(config)# router ospf
Brocade(config-ospf-router)# area 1
Brocade(config-ospf-router)# redistribute static
Brocade(config-ospf-router)# exit

Brocade(config)# interface ethernet 1/1
Brocade(config-if-e10000-1/1)# ip address 10.33.33.2
Brocade(config-if-e10000-1/1)# ip ospf area 1
Brocade(config-if-e10000-1/1)# exit
```

### CE 5 configuration

This configuration example describes what is required to operate the CE 5 router in [Figure 77](#). In this example, a static route is configured between the external network (10.1.3.0/24) and the loopback interface. OSPF is configured to redistribute static routes between the CE 5 router and the attached interface of PE 4.

```
Brocade(config)# interface loopback 1
Brocade(config-lbif-1)# ip address 10.33.36.1/32
Brocade(config-lbif-1)# exit

Brocade(config)# ip route 10.1.3.0/24 10.33.36.1
Brocade(config)# router ospf
Brocade(config-ospf-router)# area 1
Brocade(config-ospf-router)# redistribution static
Brocade(config-ospf-router)# exit

Brocade(config)# interface ethernet 1/1
Brocade(config-if-e10000-1/1)# ip address 10.33.36.2
Brocade(config-if-e10000-1/1)# ip ospf area 1
Brocade(config-if-e10000-1/1)# exit
```

### PE 1 configuration

This configuration example describes what is required to operate the PE 1 router in [Figure 77](#). In this example, the VRF VPN1 is created with a unique route descriptor consisting of the BGP AS number (1) and a random other number (2), and route targets are set for import and export. The VRF (VPN1) is defined on the interface that connects to CE 1. OSPF is configured on the VRF named VPN1 to exchange routes with CE 1 and to redistribute routes from across the MPLS domain.

IBGP with extended community attributes is configured between PE 1 and PE 4. The OSPF area is specified as 0 and MPLS is set up for OSPF traffic engineering. In addition, MPLS is configured with a signalled LSP named "tunnel1" to PE 1.

```
Brocade(config)# interface loopback 1
Brocade(config-lbif-1)# ip address 10.2.2.1/24
Brocade(config-lbif-1)# ip ospf area 0
Brocade(config-lbif-1)# exit

Brocade(config)# vrf VPN1
Brocade(config-vrf-vpn1)# rd 1:1
Brocade(config-vrf-vpn1)# route-target export 100:1
```

```

Brocade(config-vrf-vpn1)# route-target import 100:2
Brocade(config-vrf-vpn1)# exit-vrf

Brocade(config)# router bgp
Brocade(config-bgp)# local-as 1
Brocade(config-bgp)# neighbor 10.2.2.2 remote-as 1
Brocade(config-bgp)# neighbor 10.2.2.2 update-source loopback 1
Brocade(config-bgp)# address-family vpnv4 unicast
Brocade(config-bgp-vpnv4u)# neighbor 10.2.2.2 activate
Brocade(config-bgp)# address-family ipv4 unicast vrf VPN1
Brocade(config-bgp-ipv4u-vrf)# redistribute ospf
Brocade(config-bgp-ipv4u-vrf)# exit

Brocade(config)# router ospf vrf VPN1
Brocade(config-ospf-router)# domain-id 10.0.0.100
Brocade(config-ospf-router)# domain-tag 10.0.0.100
Brocade(config-ospf-router)# area 1
Brocade(config-ospf-router)# redistribute bgp
Brocade(config-ospf-router)# exit

Brocade(config)# router ospf
Brocade(config-ospf-router)# area 0
Brocade(config-ospf-router)# exit

Brocade(config)# interface ethernet 1/2
Brocade(config-if-e10000-1/2)# ip address 10.33.34.1/24
Brocade(config-if-e10000-1/2)# ip ospf area 0
Brocade(config-if-e10000-1/2)# exit

Brocade(config)# router mpls
Brocade(config-mpls)# policy
Brocade(config-mpls-policy)# traffic-engineering ospf
Brocade(config-mpls)# mpls-interface eth 1/2
Brocade(config-mpls)# lsp tunnell
Brocade(config-mpls-lsp-tunnell)# to 10.2.2.2
Brocade(config-mpls-lsp-tunnell)# enable
Brocade(config-if-e10000-1/2)# exit

Brocade(config)# interface ethernet 1/1
Brocade(config-if-e10000-1/1)# vrf forwarding VPN1
Brocade(config-if-e10000-1/1)# ip address 10.33.33.3/24
Brocade(config-if-e10000-1/1)# ip ospf area 1
Brocade(config-if-e10000-1/1)# exit

```

#### PE 4 configuration

This configuration example describes what is required to operate the PE 4 router in [Figure 77](#). In this example, the VRF VPN1 is created with a unique route descriptor consisting of the BGP AS number (1) and a random other number (2), and route targets are set for import and export. The VRF (VPN1) is defined on the interface that connects to CE 5. OSPF is configured on the VRF named VPN1 to exchange routes with CE 5 and to redistribute routes from across the MPLS domain.

```

Brocade(config)# interface loopback 1
Brocade(config-lbif-1)# ip address 10.2.2.2/32
Brocade(config-lbif-1)# ip ospf area 1
Brocade(config-lbif-1)# exit

Brocade(config)# vrf VPN1

```

## 6 BGP or MPLS VPN sample configurations

```
Brocade(config-vrf-vpn1)# rd 2:1
Brocade(config-vrf-vpn1)# route-target export 100:2
Brocade(config-vrf-vpn1)# route-target import 100:1
Brocade(config-vrf-vpn1)# exit-vrf

Brocade(config)# router bgp
Brocade(config-bgp)# local-as 1
Brocade(config-bgp)# neighbor 10.2.2.1 remote-as 1
Brocade(config-bgp)# neighbor 10.2.2.1 update-source loopback 1
Brocade(config-bgp)# address-family vpnv4 unicast
Brocade(config-bgp-vpnv4u)# neighbor 10.2.2.1 activate
Brocade(config-bgp)# address-family ipv4 unicast vrf VPN1
Brocade(config-bgp-ipv4u-vrf)# redistribute ospf
Brocade(config-bgp-ipv4u-vrf)# exit

Brocade(config)# router ospf vrf VPN1
Brocade(config-ospf-router)# domain-id 10.0.0.100
Brocade(config-ospf-router)# domain-tag 10.0.0.100
Brocade(config-ospf-router)# area 1
Brocade(config-ospf-router)# redistribute bgp
Brocade(config-ospf-router)# exit

Brocade(config)# router ospf
Brocade(config-ospf-router)# area 0
Brocade(config-ospf-router)# exit

Brocade(config)# interface ethernet 1/2
Brocade(config-if-e10000-1/2)# ip ospf area 0
Brocade(config-if-e10000-1/2)# ip address 10.33.35.1/24
Brocade(config-if-e10000-1/2)# exit

Brocade(config)# router mpls
Brocade(config-mpls)# policy
Brocade(config-mpls-policy)# traffic-engineering ospf
Brocade(config-mpls)# mpls-interface eth 1/2
Brocade(config-mpls)# lsp tunnell
Brocade(config-mpls-lsp-tunnell)# to 10.2.2.1
Brocade(config-mpls-lsp-tunnell)# enable
Brocade(config-mpls-lsp-tunnell)# exit

Brocade(config)# interface ethernet 1/1
Brocade(config-if-e10000-1/1)# vrf forwarding VPN1
Brocade(config-if-e10000-1/1)# ip address 10.33.36.3/24
Brocade(config-if-e10000-1/1)# ip ospf area 1
Brocade(config-if-e10000-1/1)# exit
```

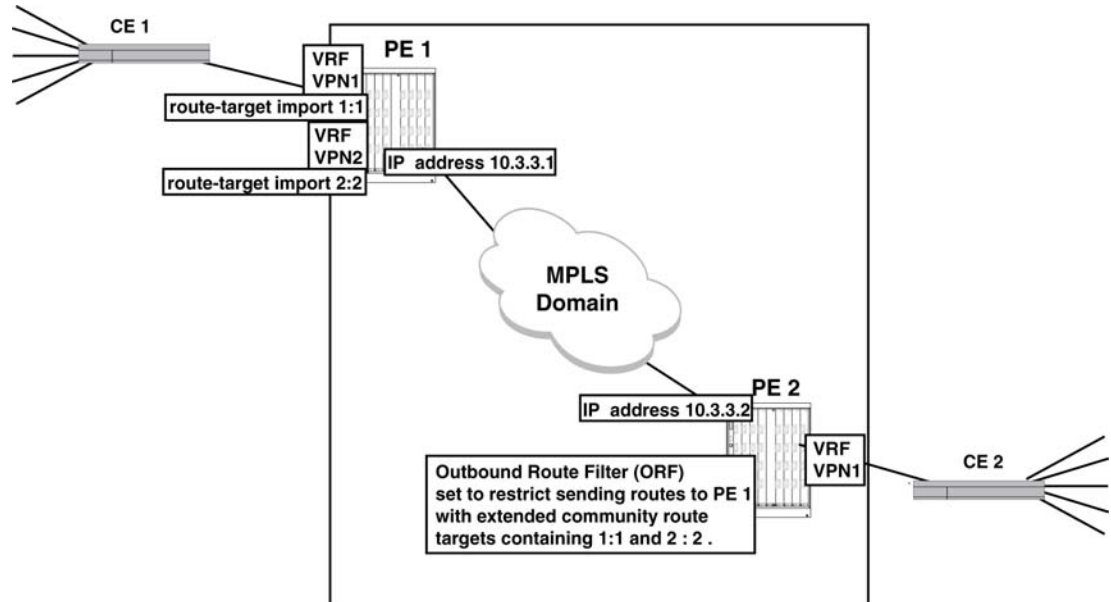
### Cooperative route filtering

The cooperative route filtering feature allows the user to move the filtering function of a route-target import filter to a peer. In this situation, an Outbound Route Filter (ORF) is derived from the contents of all of the route-target import commands of BGP configured VRFs on a PE and shared with a peer PE. This ORF is then used to exclude any routes that are blocked by that ORF from being sent by the peer PE to the PE with the route-target import commands that the ORF was



derived from. For example, in [Figure 78](#) the routes that are admitted into VPN1 and VPN2 have route targets of 1:1 and 2:2. The user can use the cooperative route filtering feature to send an ORF that is derived from the route-target import commands on PE 1 to PE 2 to only accept these routes.

**FIGURE 78** Cooperative route filtering example



The following example shows the commands required to configure VRF VPN1 on PE 1 in [Figure 78](#) with an import route-target of 1:1 and VRF VPN2 on PE 1 with an import route-target import of 2:2.

```
Brocade(config)# vrf VPN1
Brocade(config-vrf-VPN1)# route-target import 1:1
Brocade(config-vrf-VPN1)# exit-vrf

Brocade(config)# vrf VPN2
Brocade(config-vrf-VPN2)# route-target import 2:2
Brocade(config-vrf-VPN2)# exit-vrf
```

The following commands configure PE 1 to send the filter derived from the import route-target commands in VPN1 and VPN2 to PE 2.

```
Brocade(config-bgp)# address-family vpnv4 unicast
Brocade(config-bgp-vpnv4u)# neighbor 10.3.3.2 capability orf extended-community
send-vrf-filter
```

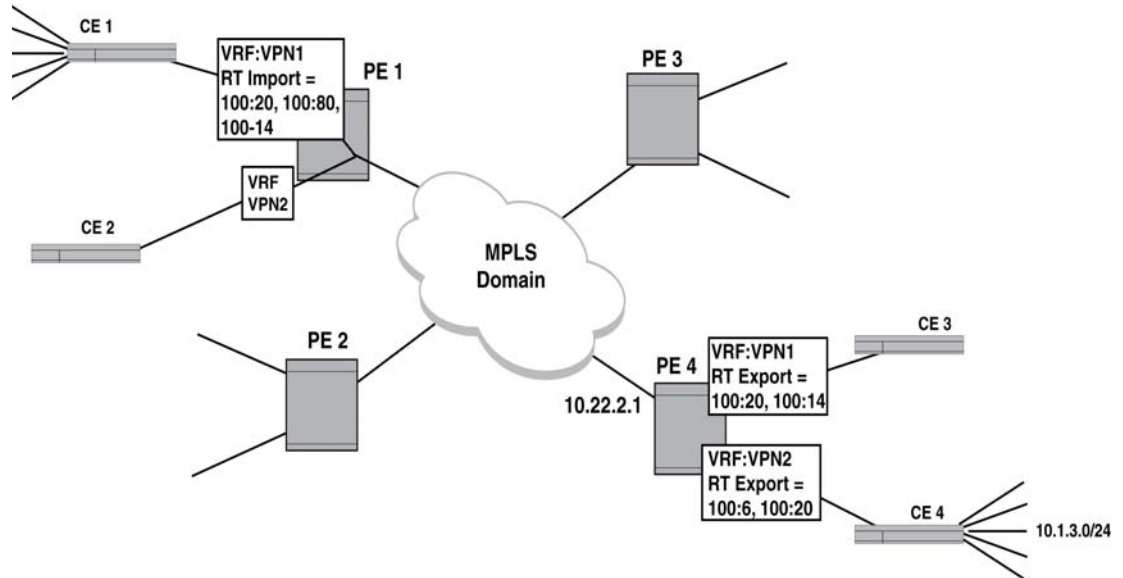
The following commands configure PE 2 to receive the filter derived from the import route-target commands in VPN1 and VPN2 on PE 1.

```
Brocade(config-bgp)# address-family vpnv4 unicast
Brocade(config-bgp-ivpnv4u)# neighbor 10.3.3.1 capability orf extended-community
receive
```

## Using an IP extcommunity variable with route map

In [Figure 79](#), the VRF named “VPN1” on PE 1 is set to import routes with RT 100:20, 100:80 and 100:14. The VRF named “VPN1” on PE 4 is configured to export routes with RT 100:20 and 100:14. The VRF named “VPN2” on PE 4 is configured to export routes with RT 100:6 and 100:20. A route-map is configured from a BGP neighbor command on PE 1 to not install all routes from PE 4 with RT 100:6. This blocks all routes from VPN2 being sent to PE 1.

**FIGURE 79 IP Extcommunity and route-map usage**



The following example shows the configuration commands required on the PE 1 router for the example shown in [Figure 79](#). In this example, the route-map ExcludeRoute has a match extcommunity value that references the extcommunity 20. The extended community list 20 command specifies that routes with RT 100:6 are to be denied. The neighbor route-map command exports the ExcludeRoute route-map to the BGP neighbor PE 4. Consequently, PE 4 blocks the export or route-target 100:6 to PE 1. This blocks all routes from VPN2 on PE 4 from being sent to PE 1.

```
Brocade(config)# router bgp
Brocade(config-bgp)# local-as 100
Brocade(config-bgp)# neighbor 10.22.2.1 remote-as 100
Brocade(config-bgp)# address-family vpnv4 unicast
Brocade(config-bgp-vpnv4u)# neighbor 10.22.2.1 activate
Brocade(config-bgp-vpnv4u)# neighbor 10.22.2.1 route-map in ExcludeRoute
Brocade(config-bgp-vpnv4u)# neighbor 10.22.2.1 send-community extended
Brocade(config-bgp-vpnv4u)# exit
```

```
Brocade(config)# route-map ExcludeRoute permit 10
Brocade(config-routemap ExcludeRoute)# match extcommunity 20
Brocade(config-routemap ExcludeRoute)# exit
```

```
Brocade(config)# ip extcommunity-list 20 deny RT 100:6
Brocade(config)# vrf VPN1
Brocade(config-vrf-vpn1)# rd 1:1
```

```

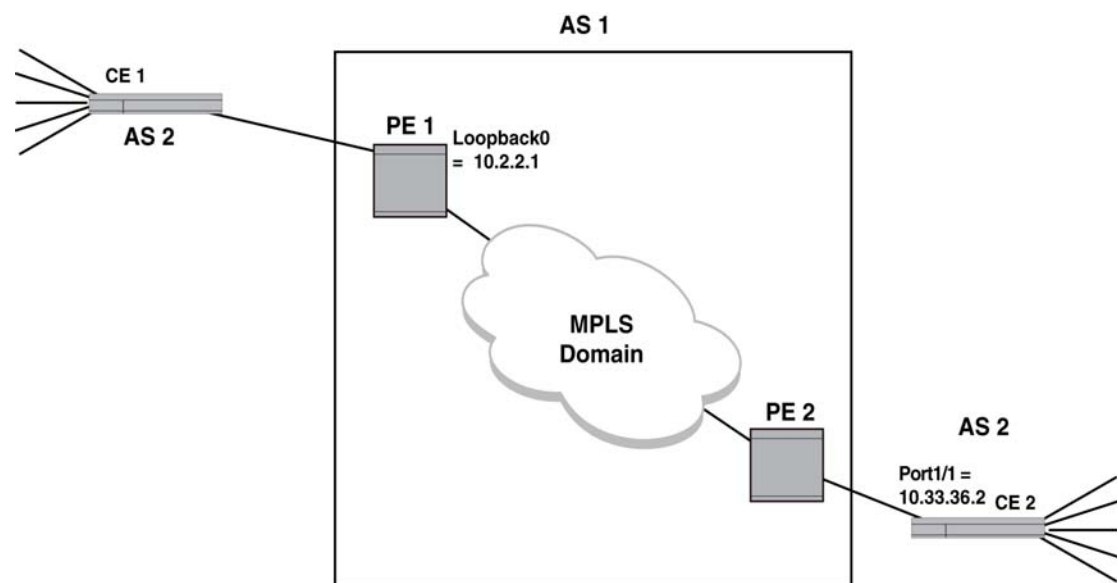
Brocade(config-vrf-vpn1)# route-target import 100:20
Brocade(config-vrf-vpn1)# route-target import 100:80
Brocade(config-vrf-vpn1)# route-target import 100:14
Brocade(config-vrf-vpn1)# exit-vrf

```

## Autonomous system number override

In the example shown in [Figure 80](#) the service providers network is in AS1 and the customer wants both of his CE routers at different sites to use AS 2. When a route is sent from CE 1 to CE 2, it contains an AS\_PATH attribute containing AS 2. When CE 2 sees that the AS\_PATH attribute contains its own AS number, it rejects the route.

**FIGURE 80 AS number override example**



One solution to this problem is to configure PE 2 to override the AS\_PATH attribute that contains AS 2. When this is enabled, the PE router determines when the AS\_PATH attribute in a route intended for a neighbor CE contains the same AS number as the CE. When this is determined, the PE router substitutes its own AS number for the CE's in the AS\_PATH attribute. The CE is then able to receive the route. The following additional conditions apply when this feature is in effect:

The following example describes the configuration of PE 2 required to enable Autonomous System number override for the BGP neighbor CE 2.

```

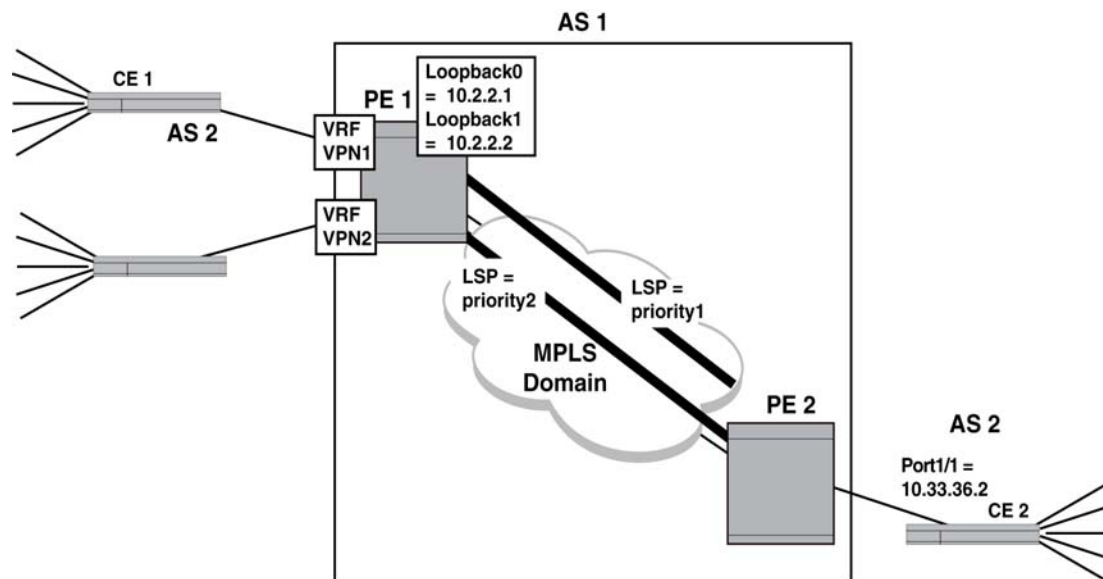
Brocade(config)# router bgp
Brocade(config-bgp)# local-as 1
Brocade(config-bgp)# neighbor 10.2.2.1 remote-as 1
Brocade(config-bgp)# neighbor 10.2.2.1 update-source loopback0
Brocade(config-bgp)# address-family ipv4 unicast vrf VPN1
Brocade(config-bgp-ipv4u-vrf)# neighbor 10.33.36.2 remote-as 2
Brocade(config-bgp-ipv4u-vrf)# neighbor 10.33.36.2 as-override

```

## Setting an LSP for each VRF on a PE

Figure 81 provides an example of assigning a different LSP for each VRF on a PE. In this example, PE 1 contains two VRFs: VPN1 and VPN2. It also contains two loopback interfaces with the following IP addresses: Loopback 0 = 10.2.2.1 and Loopback 2 = 10.2.2.2. Nexthop addresses for VPN1 and VPN2 can be created separately to Loopback 0 and Loopback 1. Then, different LSPs are assigned to each of the Loopback addresses.

FIGURE 81 Support per-VRF BGP nexthop



The following configuration example shows the elements in the PE 2 configuration required to make this example operate.

```

Brocade(config)# vrf VPN1
Brocade(config-vrf-vpn1)# bgp next-hop loopback 0
Brocade(config-vrf-vpn1)# exit-vrf
Brocade(config)# vrf VPN2
Brocade(config-vrf-vpn2)# bgp next-hop loopback 1
Brocade(config-vrf-vpn2)# exit-vrf

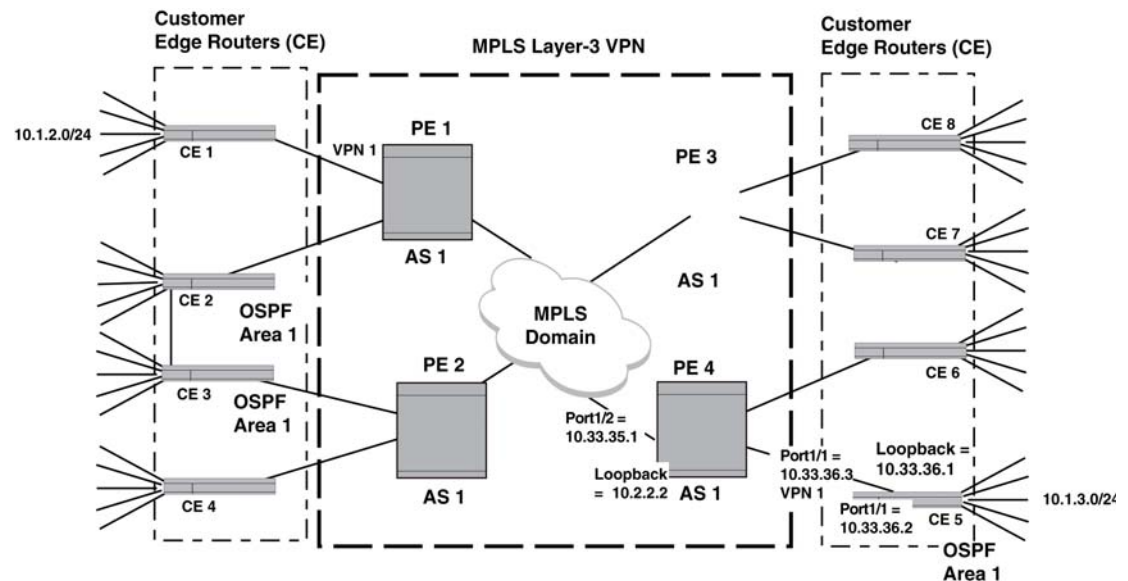
Brocade(config)# router mpls
Brocade(config-mpls)# mpls-interface ethe 1/1
Brocade(config-mpls)# lsp priority1
Brocade(config-mpls-lsp-priority1)# to 10.2.2.2
Brocade(config-mpls-lsp-priority1)# primary-path prim-path1
Brocade(config-mpls-lsp-priority1)# secondary-path sec-path1
Brocade(config-mpls-lsp-priority1)# enable
Brocade(config-mpls)# lsp priority2
Brocade(config-mpls-lsp-priority2)# to 10.2.2.1
Brocade(config-mpls-lsp-priority2)# primary prim-path2
Brocade(config-mpls-lsp-priority2)# secondary sec-path2
Brocade(config-mpls-lsp-priority2)# enable

```

## OSPF sham links

In the example shown in Figure 82, CE 2 and CE 3 are both in OSPF Area 1 and connect to the same service provider network through different PEs. An additional backdoor connection is configured between them over another network. OSPF recognizes the backdoor connection as an Intra-area connection and the connection through the service provider network as an Inter-network connection. Because OSPF favors Intra-area routes over Inter-network routes, most traffic between CE 2 and CE 3 travels across the backdoor link. When this is the preferred link in the network, the configuration is as it should be. However, when the user prefers traffic between the two networks to be routed across the service provider network, this configuration can cause problems.

FIGURE 82 BGP or MPLS VPN with OSPF backdoor link

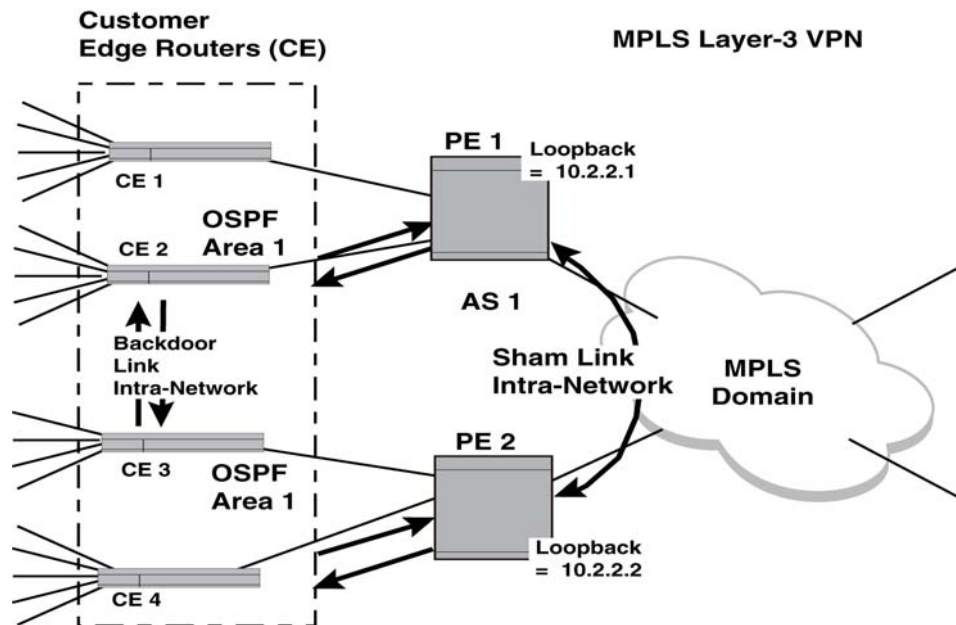


Problems can be avoided by creating a virtual intra-area OSPF link between two PEs. This virtual link is called a sham link. A sham link directs OSPF to treat the route through the service provider network as an intra-area link. A cost is assigned to the sham link to help the OSPF network determine when to route over the sham link route and when to use the backdoor link. Because this virtual link (sham-link) is an intra-area link, the OSPF areas in which each of the PEs reside must be the same.

### NOTE

For sham links to work, OSPF cannot be configured on the loopback interface in the applicable area.

FIGURE 83 BGP or MPLS VPN with OSPF including Sham link and backdoor link



This configuration example describes the additional configuration required to create a sham link between PE 1 and PE 2 in the example shown in Figure 83. In this example, the VRF VPN1 is added to the loopback interface configuration, and a sham link with a cost of 10 is created between the loopback interfaces on PE 1 and PE 2.

After this configuration is implemented, routes between CE 2 and CE 3 over the service provider network is preferred to the backdoor link that exists between these CEs.

### PE 1 configuration

```
Brocade(config)# interface loopback 1
Brocade(config-lbif-1)# vrf forwarding VPN1
Brocade(config-lbif-1)# ip address 10.2.2.1/24
Brocade(config)# vrf VPN1
Brocade(config)# router ospf vrf VLAN1
Brocade(config-ospf-router)# area 1 sham-link 10.2.2.1 10.2.2.2 cost 10
Brocade(config-ospf-router)# redistribution bgp
```

### PE 2 configuration

```
Brocade(config)# interface loopback 1
Brocade(config-lbif-1)# vrf forwarding VPN1
Brocade(config-lbif-1)# ip address 10.2.2.2/24
Brocade(config)# vrf VPN1
Brocade(config)# router ospf vrf VLAN1
Brocade(config-ospf-router)# area 1 sham-link 10.2.2.2 10.2.2.1 cost 10
Brocade(config-ospf-router)# redistribution bgp
```

## IPv4 L3 VPN CAM optimization overview

This document reviews the functional specification for optimization of CAM programming for L3VPN CAM for IPv4. This scheme is similar to the existing CAM programming of L3VPN CAM for IPv6. After this optimization, L3VPN CAM look up for IPv4 packets is based on (VPN-ID, IP) instead of the current implementation (port, VLAN, IP). This optimization brings efficient CAM usage as it saves multiple CAM entries for same routes for the VPNs having multiple interfaces on the same PPCR.

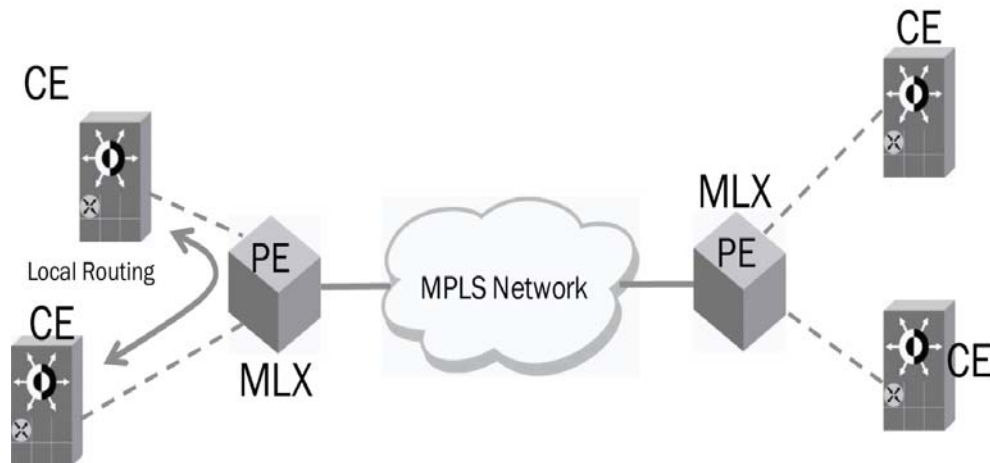
In releases prior to NetIron R05.5.00, IP VPN CAM lookup is based on {port, VLAN, DST-IP} for ingress traffic from CE side (VRF-lite). This is an inefficient way of CAM space utilization as it requires each route to replicate for all endpoints of VRFs on the PPCR. IP VPN CAM optimization resolves this issue by programming {VPN-ID, DST-IP} as CAM lookup keys.

The VPN-ID is derived from IFL-CAM (Service CAM) at pre-lookup (lookup step prior to route lookup) stage where {port, VLAN} programs as its lookup keys. In this scheme, each route of a VRF consumes only one CAM entry on a PPCR.

### Network diagram

Figure 77 shows the topology of the IP VPN network.

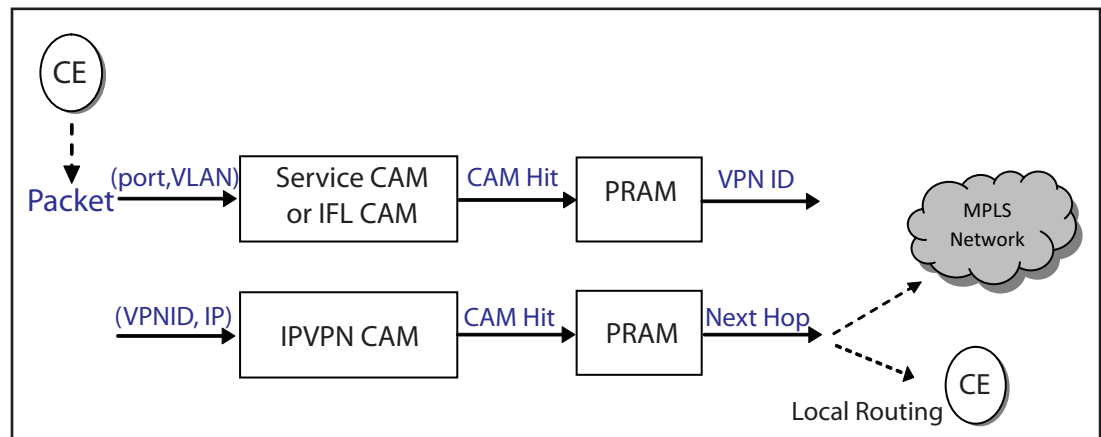
FIGURE 84 IP VPN network



### IPv4 Packet Flow for IPVPN after ingress side optimization

In VRF-lite, ingress direction packets come from CE devices to IP VPN endpoints on PE routers and enter to the MPLS domain or route back to CE (local routing). Figure 78 depicts the successful processing of the ingress packets after optimization.

FIGURE 85 IP VPN CAM Optimization: ingress packet processing



### IPv4 L3 VPN CAM optimization requirements

The IPv4 L3 VPN CAM optimization feature is designed to optimize CAM usage for IPVPN routes where each route of a VRF only consumes one CAM entry on a PPCR.

From the user's point of view, there is no change in IPVPN behavior other than the option to configure an increased number of ingress routes entries.

## Commands

The following commands support the features describe in this chapter:

- `show cam ifl slot/port`
- `show cam ipvpn slot/port`



## show cam ifl *slot/port*

The output of show cam ifl *slot/port* is modified to add IFL-ID in the display.

Syntax	show cam ifl <i>slot/port</i>
Parameters	<i>slot/port</i> The <i>slot/port</i> parameter specifies the port for which you want to display the CAM entries.
Modes	Privileged EXEC mode.

### Command output

Output field	Description
Slot	Slot-number
Index (Hex)	Shows the row number of this entry in the IP route table.
Port	Port-number
Outer VLAN	Shows path
Inner VLAN	Shows channel
PRAM (Hex)	Shows the ACL PRAM entries.
IFL ID	Same as VPN-ID in IPVPN CAM
IPv4/v6 Routing	Shows whether IPv4 or IPv6 is enabled or disabled on the interface.

### Example

```
Brocade(config)#show cam ifl 1/1
Slot Index  Port  Outer VLAN Inner VLAN PRAM  IFL ID  IPV4/V6
      (Hex)                (Hex)                Routing
4     0061ffd 1/2   1         0         001ffd 4097    0/0
4     0061fff 1/1   1         0         001fff 4097    1/0
```

### To add VRF to VE.

```
Brocade(config)# vlan 22
Brocade(config-vlan-22)# tagged ethe 1/7
Brocade(config-vlan-22)# router-interface ve 22
Brocade(config-vlan-22)# exit
Brocade(config)# interface ve 22
Brocade(config-vrf-22)# vrf forwarding blue
Brocade(config-vrf-22)# ip address 10.0.0.22/24
Brocade(config-vrf-22)# exit
```

```
Brocade(config)# show cam ifl 1/7
Slot Index  Port  Outer VLAN Inner VLAN PRAM  IFL ID  IPV4/V6
      (Hex)                (Hex)                Routing
1     0061fff 1/7   22         0         001fff 4097    1/0
```

## 6 show cam ifl slot/port

### History

Release	Modification
NetIron R05.5.00	Enhanced to show IFL-ID

Related  
Commands

None.

## show cam ipvpn slot/port

The output of show cam ipvpn slot/port is modified to add VPNID in the display.

Syntax Show cam ipvpn slot/port

Parameters slot/port

The slot/port parameter specifies the port for which you want to display the CAM entries.

Command Privileged EXEC mode.

Modes

Usage Use to display IPv4 VPN CAM entries, including local (port+VLAN+IP) and remote (VC+IP) entries.

Guidelines

Command output

Output field	Description
LP	Shows the number of the interface module.
Index (Hex)	Shows the row number of this entry in the IP route table.
IP Address	Shows the IP address of the interface.
In Port	Shows the port number.
In VLAN	Shows the VLAN number.
VPNID	Shows VPNID in the display.
In VC Lb	Shows VC label.
MAC	Shows the MAC address of the interface.
Age	Shows whether the age is enabled or disabled.
IFL VLAN	Shows the VLAN to which the port belongs.
IF	Shows the state of outgoing interface action.
PRAM (Hex)	Shows the ACL PRAM entries.

Example The following example illustrates the new display after optimization.

```
Brocade(config)# show cam ipvpn 1/7
```

LP	Index (Hex)	IP Address	In Port	In VLAN	VPNID	In VC Lb	MAC	Age	IFL/ VLAN	IF	PRAM (Hex)
1	308fa	10.0.0.0/32	N/A	N/A	4097	N/A	N/A	Dis	N/A	Drop	000a8
1	308fb	10.0.0.255/32	N/A	N/A	4097	N/A	N/A	Dis	N/A	Mgmt	000a7
1	308fc	10.0.0.22/32	N/A	N/A	4097	N/A	N/A	Dis	N/A	Mgmt	000a6
1	308fd	192.168.1.0/32	N/A	N/A	4097	N/A	N/A	Dis	N/A	Drop	000a5
1	308fe	192.168.1.255/32	N/A	N/A	4097	N/A	N/A	Dis	N/A	Mgmt	000a4
1	308ff	192.168.1.1/32	N/A	N/A	4097	N/A	N/A	Dis	N/A	Mgmt	000a3
1	3e566	10.0.0.0/24	N/A	N/A	4097	N/A	N/A	Dis	N/A	CPU	000a9
1	3e567	192.168.1.0/24	N/A	N/A	4097	N/A	N/A	Dis	N/A	CPU	000a1

## 6 show cam ipvpn slot/port

To add VRF to VE.

```
Brocade(config)# vlan 22
Brocade(config-vlan-22)# tagged ethe 1/7
Brocade(config-vlan-22)# router-interface ve 22
Brocade(config-vlan-22)# exit
Brocade(config)# interface ve 22
Brocade(config-vif-22)# vrf forwarding blue
Brocade(config-vif-22)# ip address 10.0.0.22/24
Brocade(config-vif-22)# exit

Brocade# show cam ipvpn slot/port
```

### History

Release	Command History
NetIron R05.5.00	This command was modified to add VPNID in the display.

### Related Commands

None.

## Glossary

[Table 127](#) contains selected acronyms and their meanings used in this feature.

**TABLE 136** Glossary

Acronym	Meaning
CAM	Content Addressable Memory
IFL	Internal Forwarding Lookup
VPN	Virtual Private Network
VRF	Virtual Routing and Forwarding
VRF-lite	Feature that provides VRF configuration and processing for IP VPN connecting CE side

# Routing over VPLS

Table 137 displays the individual devices and Routing over VPLS features they support.

**TABLE 137** Supported Routing over VPLS features

Features supported	Brocade Netron XMR Series	Brocade MLX Series	Brocade Netron CES 2000 Series BASE package	Brocade Netron CES 2000 Series ME_PREM package	Brocade Netron CES 2000 Series L3_PREM package	Brocade Netron CER 2000 Series BASE package	Brocade Netron CER 2000 Series Advanced Services package
IPv6 L3VPNs (6VPE)	Yes	Yes	No	No	Yes	No	Yes
IPv4 Routing over VPLS	Yes	Yes	No	No	Yes	No	Yes
IPv6 Routing over VPLS	No	No	No	No	No	No	No
VRRP and VRRPE support for Routing over VPLS	Yes	Yes	No	No	No	No	No
ACL support	Yes	Yes	No	No	Yes	No	Yes

**NOTE**

MPLS cannot be configured on the system globally when a NI-MLX-10Gx8-D card is installed.

## Overview

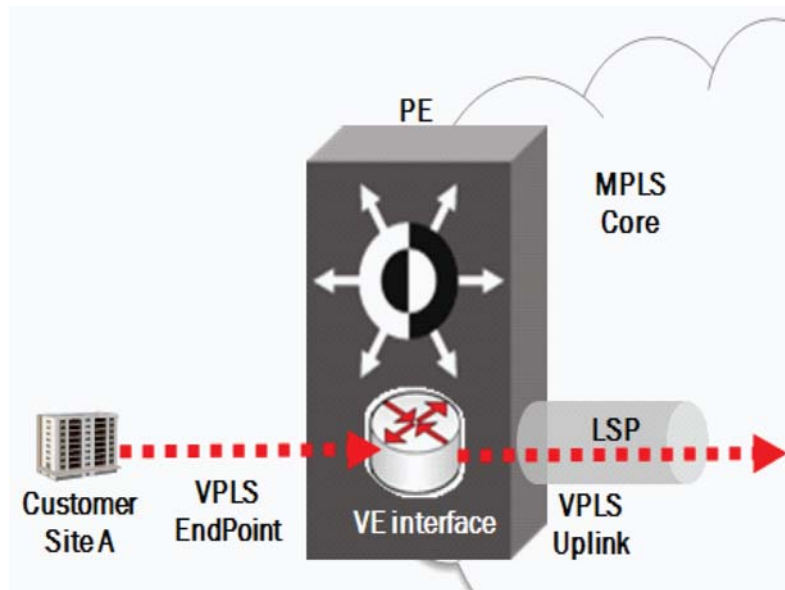
Routing over VPLS provides routing functionality of a virtual interface with VPLS endpoints. By configuring a VE interface on a VPLS instance, VE routing packets arrive on the VPLS endpoint or uplink.

VE over VPLS routes packets between the VPLS VE interface and all other IP interfaces outside of VPLS domain which reside on the PE device including:

- Physical interfaces
- Other VLAN based VE interfaces for both tagged and untagged ports
- VE interfaces which reside on other VPLS instances

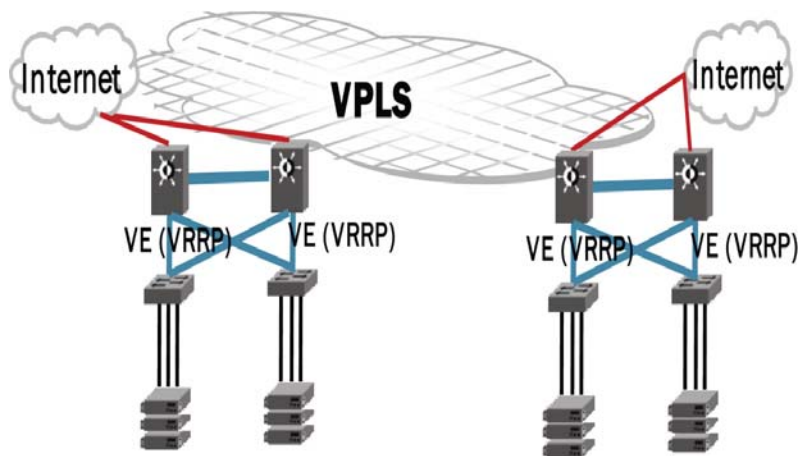
Routing over VPLS supports dynamic routing protocols such as OSPF and IS-IS on the VE over VPLS interface. Refer to Table 139 on page 745 for additional protocol support information.

FIGURE 86 Routing over VPLS



VRRP and VRRP-E support on the VE over VPLS provides L3 redundancy for downstream devices. The VRRP control protocol communication across the VPLS link allows VRRP master and backup to exist in different data centers, providing L3 redundancy across data centers.

FIGURE 87



Support for multiple VRRP backups for a single master allows L3 redundancy across multiple data centers. Short-path forwarding support on the backup VRRP makes virtual motion across data centers more efficient by allowing the backup VRRP to forward traffic back to client directly.

## Routing over VPLS components

### VE interface

VE interfaces can switch or route packets. This is decided by the destination L2 (Ethernet) MAC of the packet received at the VPLS end-point. When the Ethernet MAC is the Port MAC or Router MAC, the packet is routed.

### Routing

This is the IP interface of the VE, which supports most of the existing functionalities of a legacy IP interface or the VE over VLAN interface.

- When the VE interface is disabled, all the routed packets to the interface are dropped.
- When the VE interface is not configured over a VPLS instance, all the routed traffic to the interface is L2 forwarded by VPLS. This ensures that it does not break the existing routing by way of loopback connections which may already be configured.

### Switching

The VPLS L2 switching functionality remains unchanged. Refer to [“Routing over VPLS supported features”](#) on page 745 for specific protocol support.

### ARP

ARP maintains the relation between the L2-MAC to IP address. The VE over VPLS ARP maintains the same behavior.

- The ARP entries associated with VE over VPLS interface is resolved on one of the members of the VPLS instances, either local or remote-end point (remote VPLS peer)
- The ARP broadcast goes out through each of the end-point members of the VPLS instance
- Static ARP entries pointing to the VE over VPLS end-points is supported

### ARP DAI

ARP DAI is not supported on the VE over VPLS ARP entries. The ports and VLANs associated with a VPLS instance are assumed to be always "trusted".

### Re-ARP

When a resolved end-point or remote-peer for an ARP entry goes down, all the ARP entries pointing to that entity are flushed. Any further traffic to the remote host triggers a re-arp so that the ARP is resolved against the current active member from which the remote host could be reached.

- proxy-arp is supported
- Local-proxy-arp is not supported

### Unicast routing

VE over VPLS routing is only supported on the default-VRF. Routing is supported between various endpoints (remote & local) of a VPLS-VE instance and other non-VPLS based IP interfaces. All the IP interfaces must be in default-VRF.

- Supported unicast routing:

Packet Coming from the Local End-point of a VPLS-VE:

- to a VPLS uplink of same or another VPLS-VE instance
- to a local VPLS endpoint of same or another VPLS-VE instance
- to a VE over VLAN interface
- to a normal IP interface over a physical interface
- to an IP-over-MPLS interface
- to GRE tunnel

Packet coming from the Uplink (Remote End-point) of a VPLS-VE:

- to a VPLS uplink of another VPLS-VE instance
- to a local VPLS endpoint of same or another VPLS-VE instance
- to a VE over VLAN interface
- to a normal IP interface over a physical interface
- to an IP-over-MPLS interface

Packet coming from the non-VPLS-VE interfaces:

- Legacy, VE over VLAN, IPoMPLS, GRE tunnel interface to a VPLS-VE local endpoint
- Legacy, VE over VLAN, IPoMPLS interface to a VPLS-VE remote endpoint
- Unsupported unicast routing:
  - packet from a VPLS uplink to GRE tunnel
  - packet from GRE tunnel to VPLS uplink

## ECMP

When a VE is configured over a LSP load-balanced enabled VPLS interface, only the first active tunnel is used to complete the L3 forwarding. VPLS L2 switched traffic continues to load-balance on all tunnels.

## VPLS packet routing

A VPLS instance with the VE interface enabled can participate in routing protocols exchanging routes with PEs on remote customer sites. Multiple VPLS instances can belong to the same VRF instance, for example, the user may configure different VPLS instances to different sites, while having all the sites in the same routing area.

A unicast packet that needs to be routed has the router's (PE) MAC in the MAC destination address field, and is subjected to Layer 3 processing. Routing for VPLS packets is no different than non-VPLS packets. The next hop obtained from the routing table could be a VLAN interface, a VPLS endpoint or a VPLS uplink.

## CPU protection

CPU Protection only applies to unknown unicast packets. When CPU protection is enabled, protocol packets such as ARP is always flooded by hardware.

## VE over VPLS Peer FSM

When a VPLS interface is configured for VE, the peer is brought UP even when no local endpoints are configured.



**NOTE**

The NetIron CES and NetIron CER require at least one active endpoint for software forwarding.

**VE over VPLS configuration and ICMP redirects**

VE over VPLS adjacent devices can be on the same IP subnet while being part of the same VPLS segment. To prevent generation of ICMP redirects and sending of data packets to the CPU, it is recommended to turn-off "ICMP redirects". Note that ICMP redirect is ON by default.

**New protocol priority classification supported**

With routing over VPLS, the following protocols is now recognized at the MPLS interface and prioritized accordingly:

**TABLE 138** Protocol priority classification

Protocol	Priority Group Number
VLL/VPLS Encapsulated IS-IS Hello Packets	7
VLL/VPLS Encapsulated OSPF V2 Hello	7
VLL/VPLS Encapsulated OSPF V3 Hello	7
VLL/VPLS Encapsulated OSPF	6
VLL/VPLS Encapsulated OSPFv3	6
VLL/VPLS Encapsulated RIP	6
VLL/VPLS Encapsulated RIPNG	6
VLL/VPLS Encapsulated VRRP	6
VLL/VPLS Encapsulated VRRP (IPv6)	6
VLL/VPLS Encapsulated VRRPE	6
VLL/VPLS Encapsulated VRRPE (IPv6)	6
VLL/VPLS Encapsulated BGP	5
VLL/VPLS Encapsulated BGP (IPv6)	5
VLL/VPLS Encapsulated ARP	3

**Features supported**

[Table 139](#) list the features supported when using routing over VPLS.

**TABLE 139** Routing over VPLS supported features

Protocol	Support
VRF	Default VRF only
IP Routing	Only unicast routing is supported Multicast routing is not supported
ARP and Static ARP	Supported
Multi-port Static ARP	Not Supported
Local-proxy-ARP	Not Supported
Proxy ARP	Supported
ARP - DAI	Not supported
Traceroute	Supported

**TABLE 139** Routing over VPLS supported features

Protocol	Support
ICMP	Supported
ICMP Redirect Message	Supported
ICMP Unreachable Message	Not supported
OSPF	Supported
IS-IS	Supported
RIP	Supported
BGP	Supported
Trunk Ports (LAG)	Supported
L2 Multicast	Supported
IGMP Snooping	Supported
L2 ACL	Supported
L3 ACL	Supported
Rate Limiting	Supported
PBR	Not supported
Multi-netting	Supported
VRRP/VRRP-E	Supported (Brocade MLX Series and NetIron XMR only)
IP Helper Address/ BootP/DHCP	Supported
ECMP	Supported
IP MTU	Not supported. Note: IP MTU is ignored for L3 packets whose next hop is over the VPLS local endpoint or VPLS remote endpoint no matter what interface the packet arrived from.
VE over VPLS as MPLS interface	Not supported. The VE configured on VPLS cannot be an MPLS interface.
Dual Tag Mode	Not supported
L3 Multicast (PIM/DVMRP)	Not supported
BFD	Not supported
GRE	Not supported
RPF	Not supported on MPLS Uplinks on Brocade MIX series and NetIron XMR series routers. Not supported on the NetIron CES and NetIron CER devices.
IPv6	Not supported
PBB	Not supported
MCT	Not supported
IP Unnumbered	Not supported
IRDP	Not supported
Route-only	Not supported
DHCP	Supported
ACL - ip acc redirect-deny-to-interf slot/port	Supported on Brocade MIX series and NetIron XMR series routers. Not supported on the NetIron CES and NetIron CER devices.

### Modules supported

Use the table below to determine when routing over VPLS is supported on specific interface module.

**TABLE 140** Modules supported when using routing over VPLS

Part Number	Support
NI-MLX-48-T-A	Supported
NI-MLX-1Gx20-SFP	Supported
NI-XMR-1Gx20-SFP	Supported
NI-MLX-1Gx20-GC	Supported
NI-XMR-1Gx20-GC	Supported
BR-MLX-1GFX24-X	Supported
BR-MLX-1GFX24-X-ML	Supported
BR-MLX-1GCX24-X	Supported
BR-MLX-1GCX24-X-ML	Supported
NI-MLX-10Gx2	Supported
NI-XMR-10Gx2	Supported
BR-MLX-10Gx4-X	Supported
NI-MLX-10Gx4	Supported
NI-XMR-10Gx4	Supported
BR-MLX-10Gx8-X	Supported
BR-MLX-10Gx8-M	Supported
BR-MLX-10Gx8-D	Supported
BR-MLX-100Gx1-X	Supported
BR-MLX-100Gx2-X	Supported
BR-MLX-10Gx24-DM	Not supported

### Scalability

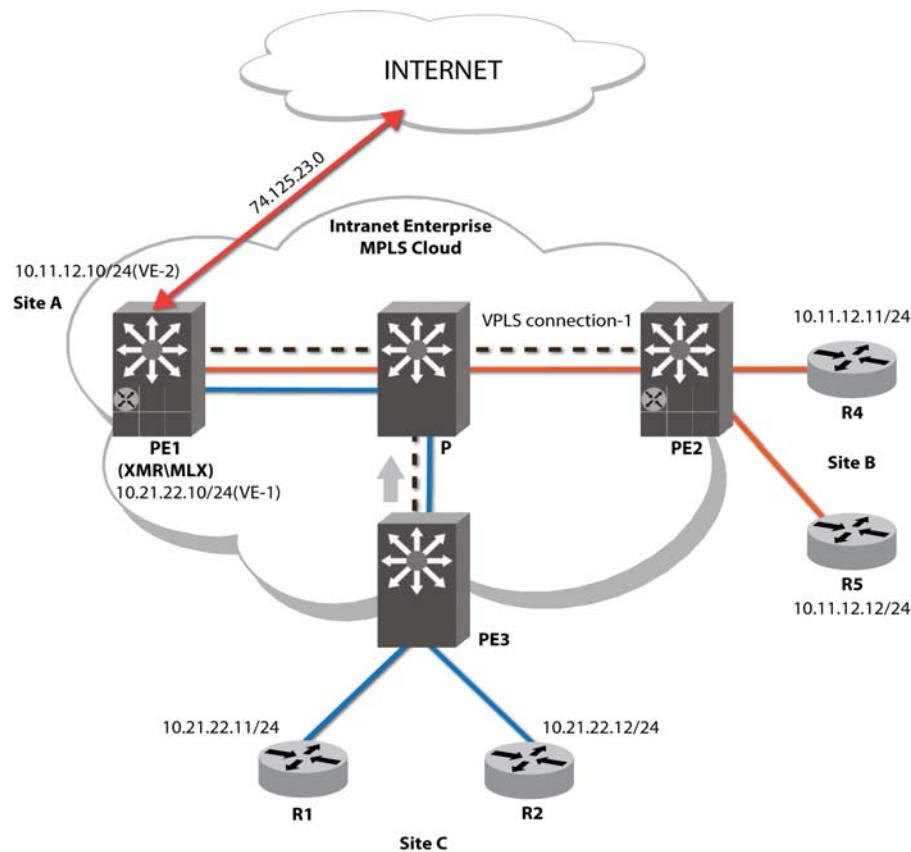
Routing over VPLS supports the following scalability numbers:

**TABLE 141** Supported scaling

Scaling Item	Netron XMR series	Brocade MLX series	Netron CES series	Netron CER series
Maximum number of VPLS Instances that can configure with VE	4K	4K	128	1024
Maximum VE interfaces allowed on the system	4K	4K	1K	4K

### VE over VPLS sample topology

**FIGURE 88** Routing over VPLS topology



## Configuration Considerations

Consider the following before configuring routing over VPLS.

- When using VE over VPLS, the user must use a different loopback interface for MPLS and GRE tunnels
- IGP may install VE over VPLS as a preferred route once it comes up, and MPLS protocols such as LDP uses the VE over VPLS IP interface for control traffic
- When the loopback interface used by LDP is shared with GRE as one of the tunnel interfaces, the LDP goes down forcing the VE over VPLS PW to go down.

## Migration considerations

Routing over VPLS does not affect the legacy loopback configuration already deployed. When the user chooses to migrate to the VE over VPLS solution, the following migration checks must be considered.

- When the user is using a non-default VRF VE interface, the user must continue to use the existing loopback emulation. Using the non-default VRF configuration is not supported.
- When the user is using the loopback configuration, and are using the VE interface on the default-VRF, the user can move to the new VE over VPLS interface, provided all of the features the user is currently using on the VE interface are supported using the new VEOVPLS interface. Refer to [“Routing over VPLS supported features”](#) on page 745 for additional information.

## Configuring VE over VPLS

For information on configuring VPLS, refer to “[Configuring MPLS Virtual Private LAN Services](#)” on page 449

Use the `router-interface ve` command to configure the VE per VPLS instance. The user must specify a router-interface for each VPLS instance. Use commands such as the following.

```
Brocade(config)# router mpls
Brocade(config-mpls)# vpls test 10
Brocade(config-mpls-vpls-test)# router-interface ve 200
Brocade(config-mpls-vpls-test)# vlan 10
Brocade(config-mpls-vpls-test-vlan-10)# tagged ethe 4/1
Brocade(config-mpls-vpls-test-vlan-10)# vlan 200 isid 20000
```

Syntax: `[no] router-interface ve number`

The *number* parameter specifies the virtual interface number.

## Consistency checks

The following error messages are a sample of what is seen when trying to add an invalid configuration.

1. Double tag not supported in the VPLS instance which has VE enabled.

In this example, when a VPLS instance has VE enabled, it is blocked from configuring a double tag.

```
Brocade(config)# router mpls
Brocade(config-mpls)# vpls vinst 1000
Brocade(config-mpls-vpls-vinst)# router-interface ve 3
Brocade(config-mpls-vpls-vinst)# vlan 20 inner-vlan 30
Error - Dual tag or ISID is not supported in a VPLS instace that has VE enabled
Brocade(config-mpls-vpls-vinst-vlan-10)#
```

```
Brocade(config)# router mpls
Brocade(config-mpls)# vpls vinst 1000
Brocade(config-mpls-vpls-vinst)# vlan 20 inner-vlan 30
Brocade(config-mpls-vpls-vinst-vlan-20-inner-vlan-30)# vpls vinst 1000
Brocade(config-mpls-vpls-vinst)#
Brocade(config-mpls-vpls-vinst)# router-interface ve 3
Error - VE over VPLS cannot be enabled on a VPLS instance that has Dual tag or ISID configured
```

2. Configuration check that disallows a VE over VPLS configuration on unsupported interface modules.

In this example, a VE over VPLS is not supported on 24x10G modules for any type of endpoint.

```
Brocade(config)# router mpls
Brocade(config-mpls)# vpls vinst 2000
Brocade(config-mpls-vpls-vinst)# router-interface ve 3
Brocade(config-mpls-vpls-vinst)# vlan 200
Brocade(config-mpls-vpls-vinst-vlan-200)# tagged ethernet 4/2
Error - VE over VPLS cannot be enabled on Darter ports. One of the ports in this instance is a Darter port
```

### 3. Configuration check that disallows a VE over VPLS with a PBB configuration.

In this example, an error message is displayed when the user tries to enable both VE over VPLS and PBB in the same VPLS instance.

```
Brocade(config)# router mpls
Brocade(config-mpls)# vpls vinst 2000
Brocade(config-mpls-vpls-vinst)# router-interface ve 3
Brocade(config-mpls-vpls-vinst)# pbb
Error - VE over VPLS and PBB cannot be enabled on the same VPLS instance.
```

```
Brocade(config)# router mpls
Brocade(config-mpls)#vpls vinst 2000
Brocade(config-mpls-vpls-vinst)# pbb
Brocade(config-mpls-vpls-vinst)# router-interface ve 3
Error - VE over VPLS and PBB cannot be enabled on the same VPLS instance.
```

### 4. Configuration check that disallows a VE over VPLS with a MCT configuration.

In this example, the user cannot enable both VE over VPLS and MCT in the same VPLS instance.

```
Brocade(config)# router mpls
Brocade(config-mpls)# vpls vinst 2000
Brocade(config-mpls-vpls-vinst)# router-interface ve 3
Brocade(config-mpls-vpls-vinst)# cluster-peer 10.10.10.10
Error - VE over VPLS and MCT cannot be enabled on the same VPLS instance.
```

```
Brocade(config)# router mpls
Brocade(config-mpls)# vpls vinst 2000
Brocade(config-mpls-vpls-vinst)# cluster-peer 10.10.10.10
Brocade(config-mpls-vpls-vinst)# router-interface ve 3
Error - VE over VPLS and MCT cannot be enabled on the same VPLS instance.
```

## VRRP/VRRP-E support

VRRP/VRRP-E is supported for routing over VPLS. The following VRRP/VRRP-E functionality is expected when using it in a routing over VPLS configuration. VRRP/e functionality expects VPLS full mesh configuration in which each VPLS peer is connected to all other VPLS peers in a given VPLS instance.

#### VRRP/VRRP-E control message flow

VRRP/VRRP-E control messages are sent over VE over VPLS interface as regular VE interface. The VRRP/VRRP-E messages received from remote peers are forwarded to endpoints, but not to other remote peers. Once a node is selected as master, it sends out regular gratuitous ARPs with a VRRP/VRRP-E MAC address as the MAC for the gateway IP, causing all the endpoints and remote peers (of other instances) to learn the master MAC address.

#### VRRP backup

The backup learns the master virtual MAC as a regular Layer 2 MAC. Traffic from the backup to the master is Layer 2 switched.

#### VRRP-E master

Traffic from is routed from the VRRP-E master, based on the destination IP address.

**VRRP-E backup**

When short-path-forwarding is not enabled on the VRRP-E backup, then forwarding of the VRRP-E backup is the same as VRRP backup. When short-path-forwarding is enabled, the VRRP/VRRP-E backup itself can route packet instead of sending to the master.

**VRRP/VRRP-E master backup state change**

When the VRRP/VRRP-E master becomes the backup, it flushes all the CAM entries. When the VRRP-E backup is enabled with short-path-forwarding, then when the state changes from master to backup, the CAM entries are retained.

**VRRP/VRRP-E configuration change**

When the VPLS end point is added or deleted or a new remote peer is added or deleted, for the VRRP/VRRP-E master or VRRP-E backup with short-path-forwarding enabled, the entries in the CAM are added or deleted respectively enabling the reception of the VRRP related traffic.

**Protocol priority classification**

VRRP/VRRP-E control packets travel with a priority of 6 within the box.

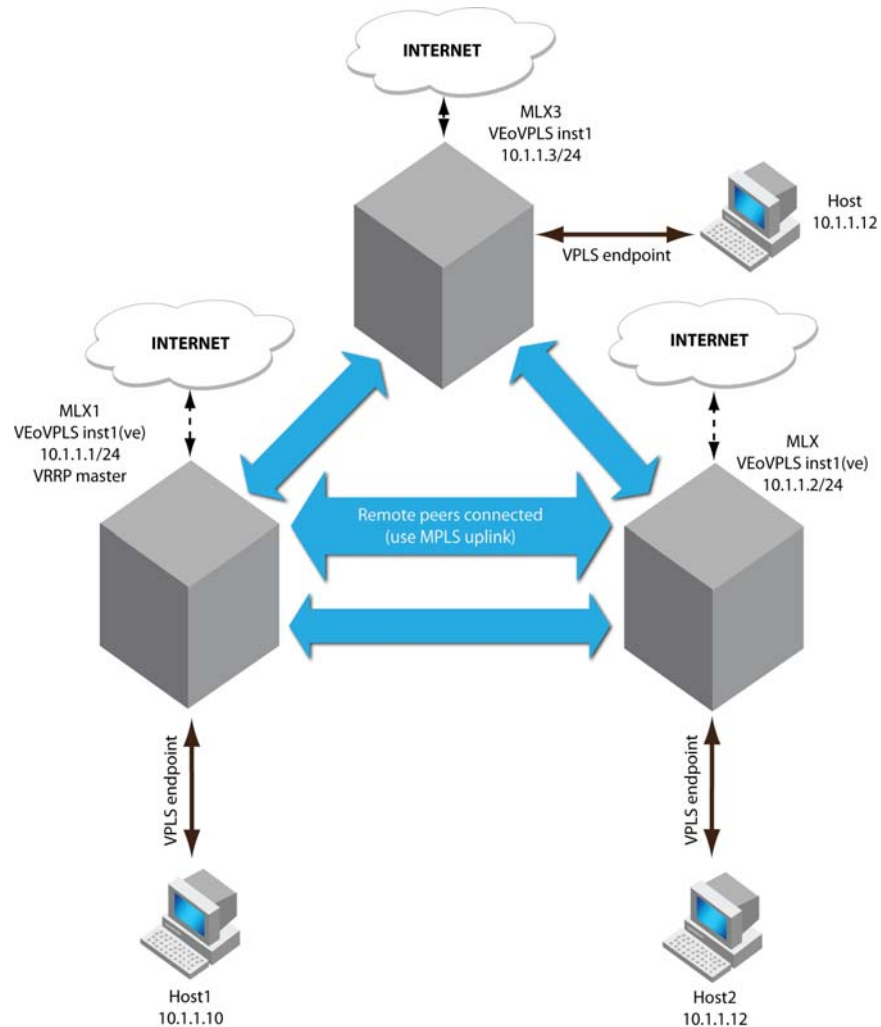
**TABLE 142** Protocol priority classification

Protocol	Priority group number
VRRP/VRRP-E protocol packets	6

The following topologies are supported:

## Single homing topology

FIGURE 89 Single homing topology example



### Configuration considerations

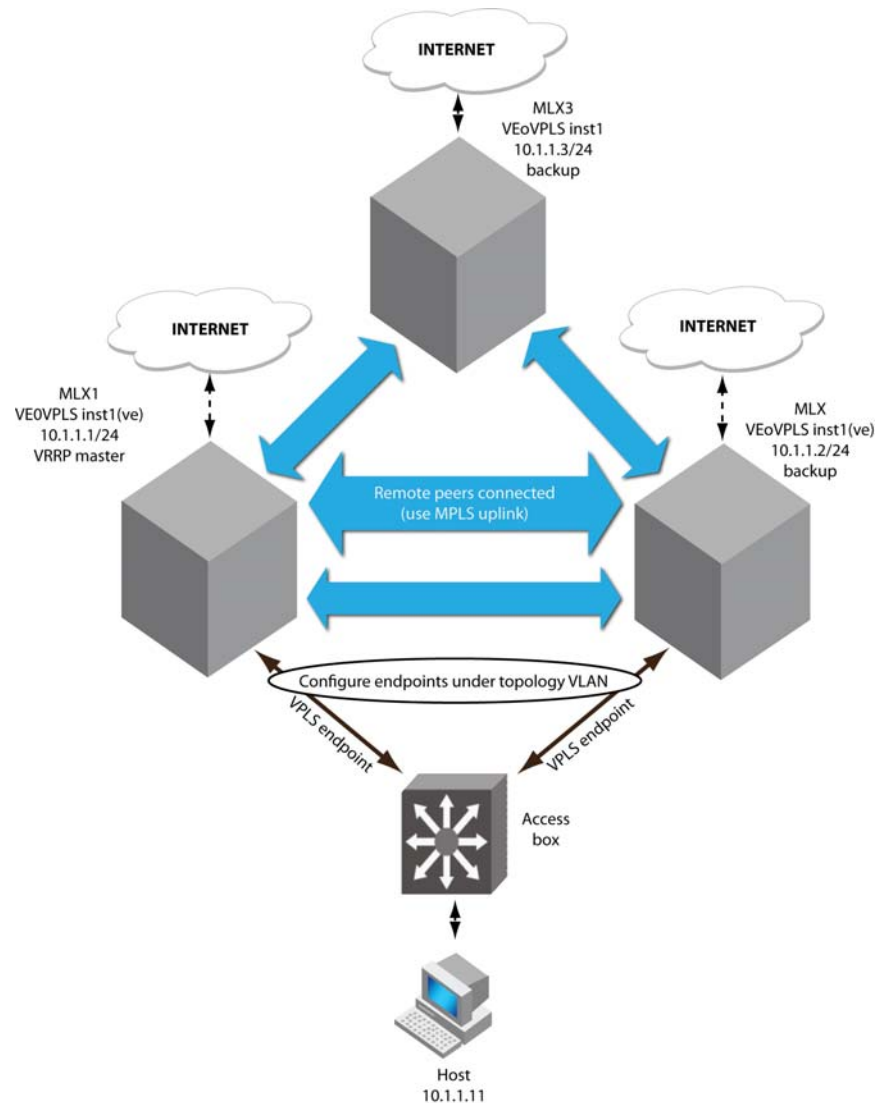
Consider the following when using VRRP/VRRP-E with routing over VPLS in a single homing topology.

- In the single homing topology, a host is connected to a single VPLS peer. Note that the host can be connected directly or through an access switch
- The host can be directly connected to the VRRP master or backup
- The `no ip icmp redirects` command must be configured in VRRP cases and in VRRP-E cases where server virtualization is not enabled.



## Dual homing topology

FIGURE 90 Dual homing topology example



The configuration is the same for VRRP or VRRP-E over VPLS VE. In [Figure 90](#), the VRRP/VRRP-e is configured similar to a VRRP/VRRP-E configuration over a regular Layer 2 based VE.

### Configuration considerations

Consider the following when using VRRP and VRRP-E with routing over VPLS in a dual homing topology.

- A single host can be used to connect to two VPLS nodes within the same VPLS instance for dual homing support. This provides redundancy in the event of VPLS node failure.



- ACLs applied on the VPLS-VE interface is effective to inbound and outbound traffic received from or sent to local end-points. The MPLS uplink (VPLS Peer) inbound and outbound traffic is not filtered by the ACL.
- The ACLs having VLAN ID in their rule can not be applied to VE over VPLS interfaces.
- VPLS-VE and ACL definition modifications require explicit rebinding to take effect.

## Configuration steps

VE over VPLS uses the same ACL commands as VE for VLANs.

To configuring an ACL on VPLS-VE interface, complete the following steps.

1. Create the access-list.
2. Create the VE over VPLS interface.
3. Apply inbound and outbound ACL on VPLS-VE interface.

## Sample configurations

Create an “IN” and “OUT” ACL condition on VE over VPLS interface.

Step 1:

```
access-list 121 permit tcp any host 10.0.0.2
access-list 121 permit tcp any host 10.0.0.2
access-list 131 permit udp any host 10.0.0.100
```

Step 2:

```
vpls a 1
router-interface ve 3
vlan 10
tagged ethernet 3/1 to 3/4
```

Step 3:

```
interface ve 3
ip access-group 121 in
ip access-group 131 out
```

Create an “IN” ACL on specific Ethernet port of a VE over VPLS interface.

Step 1:

```
ip access-list standard v4_acl
permit tcp host 10.157.22.26 any eq telnet
```

Step 2:

```
vpls b 2
router-interface ve 2
vpls-peer 1.1.1.2
vlan 500
tagged ethe 4/1
vlan 600
tagged ethe 4/2
vlan 700
tagged ethe 4/2
```

**Step 3:**

```
interface ve 2
 ip access-group v4_acl in ethernet 4/2
```

**Error messages**

The following messages are seen when an invalid configuration is attempted.

- IN ACL – “Inbound ACL is applied to all local endpoints of VE over VPLS interface”
- OUT ACL – “Outbound ACL is applied to all local endpoints of VE over VPLS interface”
- This feature is not supported for 24x10G modules.
- This feature is not supported for POS modules.

**Show commands****Show ARP**

To display the contents of the ARP cache, enter the following command at any CLI level.

Use the show arp command to display port, VPLS-ID, VLAN, and VPLS peer information.

```
Brocade(config)# show arp
Total number of ARP entries: 4
Entries in default routing instance:
IP Address  MAC Address      Type  Age  Port/Port (Vpls-Id,Vlan)/(Vpls-Id:Peer)
10.25.104.1 0000.0012.3eb5 Static None 4/1      (101, 26)
10.25.104.3 0000.000f.c200 Dynamc 0      mgmt1
10.1.1.2    0000.00f8.0090 Dynamc 1      mgmt1
10.25.104.1 0000.0012.3eb5 Static None      (21,10.32.332.1)
```

Syntax: show arp [ethernet *slot/port* | mac-address *xxxx.xxxx.xxxx* [*mask*] | *ip-addr* [*ip-mask*]] [*num*] [| *begin expression* | *exclude expression* | *include expression*]

The ethernet *slot/portnum* parameter lets the user restrict the display to entries for a specific port.

The mac-address *xxxx.xxxx.xxxx* parameter lets the user restrict the display to entries for a specific MAC address.

The *mask* parameter lets the user specify a mask for the mac-address *xxxx.xxxx.xxxx* parameter to display entries for multiple MAC addresses. Specify the MAC address mask as fs and Os, where fs are significant bits.

The *ip-addr* and *ip-mask* parameters lets the user restrict the display to entries for a specific IP address and network mask. Specify the IP address masks in standard decimal mask format (for example, 255.255.0.0).

**NOTE**

The *ip-mask* parameter and *mask* parameter perform different operations. The *ip-mask* parameter specifies the network mask for a specific IP address, whereas the *mask* parameter provides a filter for displaying multiple MAC addresses that have specific values in common.

The *num* parameter lets the user display the table beginning with a specific entry number.

The entry numbers in the ARP cache are not related to the entry numbers for static ARP table entries.

#### Show ip static-arp

Use the show ip static-arp command to display port, VPLS-ID, VLAN, and VPLS peer information.

```
Brocade(config)# show ip static-arp
Total no. of entries: 2
Index  IP Address      MAC Address      Port/VLAN      ESI  Vpls-Vlan:Port/Vpls-Peer
1      10.10.10.10     0000.0033.4444  100
2      10.11.11.11     0000.0066.7777  4/1
3      10.12.12.12     0000.0023.4343  *:21:3/2
4      10.26.5.12      0000.00F3.4343  *:1.2.3.105
```

Syntax: show ip static-arp [ethernet slot/portnum | mac-address xxxx.xxxx.xxxx [mask] | ip-addr [ip-mask]] [num] [| begin expression | exclude expression | include expression]

#### Show mpls vpls id

Use the show mpls vpls command to display VPLS information.

```
Brocade# show mpls vpls id 2
VPLS b, Id 2, Max mac entries: 100000
Routing Interface Id 3
Total vlans: 1, Tagged ports: 1 (1 Up), Untagged ports 0 (0 Up)
IFL-ID: n/a
Vlan 444
Tagged: ethe 4/5 ethe 4/5
VC-Mode: Raw
CPU-Protection: ON, MVID: 0x005, VPLS FIDs: 0x0000a00a, 0x0000a00a
Local Switching: Enabled
Extended Counter: ON
Multicast Snooping: Disabled
```

Syntax: show mpls vpls id *vpls-id*

Syntax: show mpls vpls name *vpls-name*

The *vpls-id* variable is the ID of a VPLS instance. The *vpls-name* variable is the name of a VPLS instance.

#### Show ip interface ve

```
Brocade # show ip int
```

## 7 ACL Support for VE over VPLS

Flags : U-Unnumbered, S-Secondary, US-Unnumbered Secondary, V-VE over VPLS, VS-VE over VPLS Secondary

Interface	IP-Address	OK?	Method	Status	Protocol	VRF	FLAG
mgmt 1	10.25.106.36	YES	NVRAM	up	up	default-vrf	
ve 40	10.40.40.1	YES	NVRAM	down	down	default-vrf	
ve 150	10.15.15.1	YES	NVRAM	up	up	default-vrf	V
ve 150	10.20.20.1	YES	NVRAM	up	up	default-vrf	V
ve 150	10.15.15.2	YES	NVRAM	up	up	default-vrf	VS
loopback 1	10.1.1.1	YES	NVRAM	up	up	default-vrf	

Syntax: show ip interface [ethernet slot/port] | [loopback num] | [ve num]

# Configuring BGP-Based Auto-Discovery for VPLS

## Overview

Table 143 displays the individual Brocade devices and the BGP-Based Auto-Discovery for VPLS features they support.

**TABLE 143** Supported Brocade BGP-Based Auto-Discovery for VPLS features

Features Supported	Brocade NetIron XMR Series	Brocade MLX Series	Brocade NetIron CES 2000 Series BASE package	Brocade NetIron CES 2000 Series ME_PREM package	Brocade NetIron CES 2000 Series L3_PREM package	Brocade NetIron CER 2000 Series Base package	Brocade NetIron CER 2000 Series Advanced Services package
BGP-Based Auto-Discovery for VPLS	Yes	Yes	No	No	No	No	No
VPLS LSP Load Balancing	Yes	Yes	No	No	No	No	No

### NOTE

VPLS auto-discovery is not compatible in multi vendor environment. It must only be used among Brocade MLX series and Brocade NetIron XMR devices.

### NOTE

MPLS cannot be configured on the system globally when a NI-MLX-10Gx8-D card is installed.

This chapter describes how to configure the Brocade device to automatically discover Virtual Private LAN Services (VPLS) endpoints that are part of the same VPLS domain.

VPLS is a method for carrying Layer 2 frames between Customer Edge (CE) devices across a Multi-Protocol Label Switched (MPLS) domain. Information about VPLS, how it works, and how to manually configure it is discussed in the [Chapter 3, “Configuring MPLS Virtual Private LAN Services”](#).

In releases prior to NetIron R04.0.00 on Brocade devices, when setting up a VPLS network and after manually creating VPLS instances, the user must manually configure all VPLS peers associated with each VPLS instance.

Starting with the NetIron R04.0.00, the implementation of *BGP-based auto-discovery for VPLS* (also called *VPLS auto-discovery*) eliminates the need for manual configuration of VPLS peers for every VPLS instance configured on the device. The implementation complies with the Internet draft *draft-ietf-l2vpn-signaling-08*. Using the services of Border Gateway Protocol version 4 (BGP4) and Label Distribution Protocol (LDP), VPLS auto-discovery enables a device to automatically discover other VPLS Provider Edge (PE) devices that are part of the same VPLS domain, and to detect and converge when other PE routers are added to or removed from the VPLS domain.

## Terms introduced in this chapter

**BGP-based auto-discovery for VPLS** – Also called *VPLS auto-discovery*, this feature enables automatic discovery of VPLS Provider Edge (PE) devices that are part of the same VPLS domain, and the ability to detect and converge when other PE routers are added to or removed from the VPLS domain.

**BGP L2VPN VPLS Routing Information Base (RIB)** – Also called the BGP L2VPN RIB, this is the database that contains information about VPLS endpoints that are automatically discovered through VPLS auto-discovery.

**L2VPN VPLS address family or L2VPN address family** – This is the BGP-based auto-discovery mechanism used to distribute information about VPLS endpoints. Information is stored in the BGP L2VPN VPLS Routing Information Base.

**Label Switch Router (LSR) ID** – This is the router ID. LDP assigns the default loopback address as the router ID. Because VPLS auto-discovery uses the services of LDP, a valid loopback address must be configured on the Brocade device before VPLS auto-discovery can be enabled.

**Route Distinguisher (RD)** – The address qualifier used within a single Internet Service Provider's (ISP's) Multi-Protocol Label Switching (MPLS) network. The qualifier is used to distinguish the distinct Virtual Private Network (VPN) routes of separate customers who connect to the service provider.

**Route Target (RT) Extended Community** – Defines the import and export policies applied to a VPLS instance. Each VPLS instance is associated with one or more route target extended communities.

**Subsequent Address Family Identifier (SAFI)** – An ID number that provides additional information about the NLRI type for a given attribute.

**VPLS Virtual Circuit Identifier (VPLS VCID) or VPLS ID** – Identifies the endpoints of a VPLS instance. All Provider Edge (PE) routers that are part of the same VPLS instance have the same VPLS VCID.

## How BGP-based auto-discovery for VPLS works

The devices use the services of LDP and BGP4 to automatically discover VPLS endpoints that are part of the same VPLS domain. To enable the Brocade device to distribute information about VPLS endpoints, the user must configure a L2VPN VPLS address family, activate BGP peering on the L2VPN VPLS address family, then enable BGP-based auto-discovery for VPLS. When BGP L2VPN VPLS update messages are exchanged between PE routers, the device can start discovering VPLS peer addresses.

For every VPLS instance on which BGP-based auto-discovery is enabled, the device automatically generates a Route Distinguisher (RD) value based on the BGP Autonomous System (AS) number and the VPLS Virtual Circuit Identifier (VCID) for PE routers. The RD is an address qualifier used by the PE router to distinguish VPN routes of separate customers. Also, when not manually configured, the device automatically generates import and export route targets that define the policies that each VPLS instance uses. A local VPLS endpoint Network Layer Reachability Information (NLRI) and import route-target tree are also created and sent to BGP peers with the L2VPN VPLS capability.

When the device receives information about a VPLS endpoint, it checks when its extended community matches any locally-configured VPLS import route targets. When a match is found, information about the VPLS endpoint is stored in the BGP L2VPN routing table and a notification is sent to VPLS for peering information. Once VPLS receives the information, it creates a VPLS peer and starts a peering session.



When VPLS auto-discovery is disabled for a VPLS instance, the system removes all auto-discovered peers for the VPLS instance from the configuration. It then removes the route (local VPLS endpoint address) from the BGP L2VPN route table and sends a “withdrawn” message to VPLS peers, prompting them to remove the route and to disable VPLS auto-discovery. Finally, the system updates the route target tree and sends a route refresh message for the L2VPN VPLS address family.

## About the L2VPN VPLS address family

The *L2VPN VPLS address family* is an integral part of BGP-based auto-discovery for VPLS, in that it is the mechanism used by BGP4 to distribute information about VPLS endpoints. The L2VPN address family is configured at the BGP configuration level of the CLI and supports the VPLS Subsequent Address Family Identifier (SAFI), an address qualifier that provides additional information about the Network Layer Reachability Information (NLRI) type for a given attribute.

BGP4 uses the L2VPN address family to build the BGP L2VPN Routing information Base (RIB). The L2VPN database is updated each time a Layer 2 Virtual Forwarding Instance (VFI) is configured.

Information about configuring the L2VPN Address Family is in the section [“Configuring the L2VPN VPLS address family and activating the BGP4 peering session”](#) on page 770.

## Feature limitations and configuration notes

Consider the following feature limitations and configuration notes:

- VPLS must not be used when FDP is enabled.
- VPLS auto-discovery and manual configuration of VPLS peers are supported together on the same device. However they are not supported together on the same VPLS instance.
- VPLS auto-discovery is not compatible in multi vendor environment. It must only be used among Brocade MLX series and Brocade NetIron XMR devices.

## Scalability

The following section describes the scalability:

- The maximum number of BGP4 peers that can support the L2VPN VPLS address family is equal to the maximum number of BGP4 peers supported on the device.
- The maximum number of VPLS instances that can support BGP-based auto-discovery for VPLS is equal to the maximum number of VPLS instances supported on the device.
- The maximum number of BGP-based auto-discovered peers supported per VPLS instance is equal to the maximum number of unique VPLS or VLL peers or number of VPLS peers supported on the device. When the system exceeds the default or manually-configured maximum number of VPLS peers supported on the device, any new peering for VPLS auto-discovery is rejected.

## Configuring BGP-based auto-discovery for VPLS

It is recommended that the user performs the configuration tasks in the order listed in [Table 144](#). Performing the tasks in the recommended sequence minimizes CPU consumption and route flapping. Except where noted as “optional”, the configuration tasks in the table are required for VPLS auto-discovery.

**TABLE 144** Configuration tasks for VPLS auto-discovery

Configuration task	See...
1 Configure a loopback address	<a href="#">“Configuring a loopback interface”</a> on page 762
2 Enable BGP4 and assign a local Autonomous System (AS) number	<a href="#">“Configuring BGP4 to support VPLS auto-discovery”</a> on page 764
3 Enable MPLS and configure LDP	To configure MPLS, refer to the <a href="#">Chapter 1, “Configuring MPLS Traffic Engineering”</a> . To configure LDP, refer to the <a href="#">Chapter 2, “Configuring Label Distribution Protocol (LDP)”</a> .
4 Configure VPLS: <ul style="list-style-type: none"> <li>• Create a VPLS instance</li> <li>• Define the route target (optional)</li> <li>• Enable load balancing (optional)</li> </ul>	<a href="#">“Configuring VPLS to support auto-discovery”</a> on page 766
5 Enable VPLS auto-discovery	<a href="#">“Enabling VPLS auto-discovery”</a> on page 769
6 Configure the L2VPN VPLS address family and activate BGP4 peering	<a href="#">“Configuring the L2VPN VPLS address family and activating the BGP4 peering session”</a> on page 770

After performing the configuration steps listed in [Table 144](#), the user can observe the L2VPN VPLS address family routes, neighbor summary, and VPLS auto-discovery peering. Refer to [“Displaying VPLS auto-discovery information”](#) on page 775.

### NOTE

This behavior does not apply to Brocade NetIron CES or Brocade NetIron CER devices when the IPv6 packet has the following format IPv6 header + IPv6 Hop-by-Hop Extension Header + IPv6 Routing Header (with type 0).

## Configuring a loopback interface

The user must configure a loopback address on the Brocade device before enabling VPLS auto-discovery.

This section contains the following topics:

- [“About loopback interfaces and the router ID”](#)
- [“Changes that occur when a loopback interface is deleted”](#)
- [“Adding a loopback interface”](#)
- [“Viewing the loopback Interface”](#)

## About loopback interfaces and the router ID

In most configurations, a Brocade device has multiple IP addresses, usually configured on different interfaces. As a result, a Brocade device's identity to other devices varies depending on the interface to which the other device is attached. BGP4 identifies a Brocade device by just one of the IP addresses configured on the device, regardless of the interfaces that connect the devices. This IP address is the *router ID* also known as the Label Switched Router (LSR) ID.

LDP uses the default loopback address as the router ID. Since VPLS auto-discovery uses the services of LDP, a valid loopback address must be configured on the Brocade device before VPLS auto-discovery can be enabled. When a loopback address is not configured, the LDP router ID is NULL and VPLS auto-discovery does not function.

When there are several loopback addresses configured on the device, the default loopback address is the IP address configured on the lowest-numbered loopback interface on the Brocade device. For example, when the user configures loopback interfaces 1, 2, and 3 as follows, the default router ID is 10.9.9.9/24.

```
Loopback interface 1, 10.9.9.9/24
Loopback interface 2, 10.4.4.4/24
Loopback interface 3, 10.1.1.1/24
```

Changes that occur when a loopback interface is deleted

When a loopback interface is deleted while VPLS auto-discovery is enabled, and more than one loopback interface is configured on the device, the Brocade device uses the IP address configured on the next lowest numbered loopback interface as the router ID. For example, using the following configuration, when loopback interface 1 is deleted, the Brocade device uses loopback interface 2. Thus, the successive router ID is 10.4.4.4/24. The system removes all existing VPLS routes for 10.9.9.9/24 and obtain new routes for 10.4.4.4/24.

```
Loopback interface 1, 10.9.9.9/24
Loopback interface 2, 10.4.4.4/24
```

When a loopback interface is deleted from the configuration while VPLS auto-discovery is enabled, and there are no other valid loopback interfaces, the system disables LDP and VPLS auto-discovery.

## Adding a loopback interface

To add a loopback interface, enter commands such as the following.

```
Brocade(config)# int loopback 1
Brocade(config-lbif-1)# ip address 10.1.1.4/24
```

Syntax: [no] interface loopback *num*

Use the [no] form of the command to delete a loopback interface. Also refer to [“Changes that occur when a loopback interface is deleted”](#) in the following section.

The *num* value can be a number from 1 – 64.

## Viewing the loopback Interface

Use the `show mpls ldp` command to view the loopback interface and router ID in use on the Brocade device. Refer to “[Displaying information about LDP](#)” on page 791.

## Configuring BGP4 to support VPLS auto-discovery

BGP4 must be enabled on the device and a local *Autonomous System* (AS) number must be assigned before VPLS auto-discovery can be enabled.

This section includes configuration details for the following BGP-related tasks:

- How to enable BGP4 and assign the local AS number
- How to change or clear the local AS number when VPLS auto-discovery is enabled
- How to disable BGP4 when VPLS auto-discovery is enabled

---

### NOTE

This section provides minimal information about configuring BGP4 neighbors, peer groups, and other essential BGP-related configuration tasks, because its focus is to provide information about configuring BGP to support VPLS auto-discovery.

---

## Enabling BGP4 and assigning the local AS number

In a VPLS configuration, all PEs in the same VPLS domain must be configured with the same AS number. To assign a local AS number to the Brocade device, enter commands such as the following.

```
Brocade(config)# router bgp
BGP4: Please configure 'local-as' parameter in order to enable BGP4.
Brocade(config-bgp)# local-as 10
Brocade(config-bgp)# neighbor 10.1.1.1 remote-as 10
```

These commands enable BGP4, set the local AS number to 10, and add the IP address of the remote neighbor (10.1.1.1) to the IPv4 multi-protocol BGP neighbor table of the local router.

Syntax: `[no] router bgp`

Syntax: `[no] local-as number`

Syntax: `[no] neighbor IPv4-address remote-as number`

For `local-as number`, specify the AS number in which the Brocade device the user is configuring resides.

For `IPv4-address`, enter the IP address of the remote neighbor.

For `remote-as num`, enter the AS number.

## Changing or clearing the local AS number when VPLS auto-discovery is enabled

When VPLS auto-discovery is enabled on the device and the user wants to clear or change the BGP local AS number, the user must first disable VPLS auto-discovery, then clear the local AS number. When the user attempts to clear or change the local AS number while VPLS auto-discovery is enabled, the console displays the following message:

```
Brocade(config-bgp)# no router bgp
Error: VPLS instances with BGP auto-discovery exist, remove auto-discovery configuration first!
```

To clear the BGP local AS number when VPLS auto-discovery is enabled, enter commands such as the following.

```
Brocade(config)# router mpls
Brocade(config-mpls)# vpls cl 10
Brocade(config-mpls-vpls-cl)# no auto-discovery
Brocade(config-mpls-vpls-cl)# router bgp
Brocade(config-bgp)# no local-as 10
BGP is no longer operational
```

Syntax: [no] auto-discovery

Syntax: [no] local-as *num*

## Disabling BGP4 when VPLS auto-discovery is enabled

When VPLS auto-discovery is enabled on the device and the user wants to disable BGP4, first disable VPLS auto-discovery, then disable BGP4 at the VPLS instance level of the CLI. When the user attempts to disable BGP4 while VPLS auto-discovery is enabled, the console displays the following message:

```
Brocade(config-bgp)# no router bgp
Error: There are VPLS instances with BGP auto-discovery enabled, disable auto-discovery first!
```

---

### NOTE

When VPLS auto-discovery is not enabled on the device, the user can disable BGP simply by entering the CLI command `no router bgp` at the global CONFIG level of the CLI.

---

To disable BGP4 when VPLS auto-discovery is enabled, enter commands such as the following.

```
Brocade(config)# router mpls
Brocade(config-mpls)# vpls cl 10
Brocade(config-mpls-vpls-cl)# no auto-discovery
Brocade(config-mpls-vpls-cl)# no router bgp
router bgp mode now disabled. All bgp config data will be lost when writing to flash!!
```

Syntax: [no] auto-discovery

Syntax: [no] router bgp

**NOTE**

When BGP is disabled, the system also removes the BGP local AS number from the configuration.

## Configuring VPLS to support auto-discovery

This section describes how to configure VPLS to support BGP-based auto-discovery. It includes the following configuration details:

- [“Creating a VPLS instance”](#)
- [“Defining the route target for a VPLS instance \(optional\)”](#)
- [“Enabling and disabling load balancing for a VPLS instance \(optional\)”](#)

**NOTE**

This section provides minimal information about configuring VPLS and other related configuration tasks, because its focus is to provide information about configuring VPLS to support BGP-based auto-discovery.

### Creating a VPLS instance

To create a VPLS instance, enter VPLS configuration statements on two or more PE routers.

On the PE routers, enter commands such as the following:

```
Brocade(config)# router mpls
Brocade(config-mpls)# mpls-interface ethernet 1/1
Brocade(config-mpls)# vpls CustomerA 10
Brocade(config-mpls-vpls-CustomerA)#
```

On the VPLS peers (when they are Brocade devices), enter commands similar to the above.

```
Brocade(config)# router mpls
Brocade(config-mpls)# mpls-interface ethernet 6/1
Brocade(config-mpls)# vpls CustomerA 10
Brocade(config-mpls-vpls-CustomerA)#
```

In the above configurations, the endpoints of the VPLS instance are associated by having the same Virtual Circuit Identifier (VCID) of 10 on each PE router.

Syntax: [no] router mpls

Syntax: [no] mpls-interface ethernet [slot-num/ portnum]

Syntax: [no] vpls *name* / *vpls-vcid*

The router mpls command enables MPLS. Enter the [no] form of the command to disable it.

The mpls-interface ethernet command specifies the interface on which to create the VPLS instance.

The vpls *name* parameter specifies the VPLS instance name. The name can be up to 64 alphanumeric characters.

The vpls-vcid parameter specifies the VCID for the BGP L2VPN VPLS instance. The endpoints of a VPLS instance are associated by having the same VCID on each PE router. Enter a number in the range 1 - 4294967294.

## Defining the route target for a VPLS instance (optional)

### NOTE

When the user decides to manually define a route target, it is recommended that the user do so before enabling VPLS auto-discovery.

The *route target* extended community for VPLS auto-discovery defines the import and export policies that a VPLS instance uses. The export route target sets an extended community attribute number that is appended to all routes that are exported from the VPLS instance. The import route target value sets a filter that determines the routes that are accepted into the VPLS instance. Any route with a value in its import route target contained in its extended attributes field matching the value in the VPLS instance's import route target are accepted. Otherwise the route is rejected.

In a configuration with VPLS auto-discovery, configuring a route target is optional. When the user does not manually configure one, the system automatically generates the import and export route target for each VPLS instance configured on the Brocade device when VPLS auto-discovery is enabled. A manually-configured route target takes precedence over one that is automatically generated by VPLS auto-discovery. When all manually-configured route targets are removed from a VPLS instance while VPLS auto-discovery is enabled, the system automatically generates a new route target for the VPLS instance.

The Brocade device supports up to 16 unique import and export route targets per VPLS instance. When the user attempts to configure more than 16, the system displays the following error message:

```
Error: Maximum number of Import RT for a VPLS instance is 16!
Error: Maximum number of Export RT for a VPLS instance is 16!
```

To define an import route target of 3:6 and an export route target of 3:8 for a VPLS instance, enter the following commands.

```
Brocade(config)# router mpls
Brocade(config-mpls)# vpls c1
Brocade(config-mpls-vpls-c1)# route-target import 3:6
Brocade(config-mpls-vpls-c1)# route-target export 3:8
```

Syntax: [no] route-target [both | import | export] ASN:num | IP-address:num

The *both* parameter specifies both import and export values apply to the specified route target for the VPLS instance where this command is applied. This is the default state and applies when no specific value for this parameter is set.

The *import* parameter specifies that routes with route-target extended community attributes matching the specified route-target can be imported into the VPLS instance where this command is applied.

The *export* parameter specifies the route-target extended community attributes that are attached to routes exported from the specified VPLS instance.

The *ASN:num* parameter identifies the route as an ASN relative. This number is the local ASN number followed by a colon (:) and a unique arbitrary number.

The *IP-address:num* parameter identifies the route as an IP-address relative. This number is the local IP address followed by a colon (:) and a unique arbitrary number.

Viewing the route target for a VPLS instance

Use the `show mpls vpls name` command to view the route targets for a VPLS instance. Refer to [“Displaying information about VPLS auto-discovery and load balancing”](#) on page 789.

## Enabling and disabling load balancing for a VPLS instance (optional)

This section describes how to enable and disable load balancing for a VPLS instance on which VPLS auto-discovery is enabled. When load balancing is enabled, the Brocade device automatically load balances traffic to all auto-discovered peers.

The user can configure a VPLS instance to load balance known unicast traffic sent to auto-discovered VPLS peers across multiple tunnel LSPs. The CLI commands for enabling and disabling load balancing differ depending on whether VPLS auto-discovery is enabled on the VPLS instance. Follow the appropriate procedures in this section.

---

### NOTE

The Brocade device load balances traffic for auto-discovered VPLS peers, the same as for manually-created VPLS peers.

---

Enabling load balancing when VPLS auto-discovery is disabled

To enable VPLS auto-discovery and load balancing of traffic sent to auto-discovered VPLS peers, enter commands such as the following:

---

### NOTE

Before enabling VPLS auto-discovery, make sure the user has completed the configuration tasks listed in [Table 144](#) on page 762.

---

```
Brocade(config)# router mpls
Brocade(config-mpls)# vpls c1 10
Brocade(config-mpls-vpls-c1)# auto-discovery load-balance
```

Syntax: `[no] auto-discovery load-balance`

To disable load balancing, refer to [“Disabling load balancing”](#).

Enabling load balancing when VPLS auto-discovery is enabled

When VPLS auto-discovery is enabled for a VPLS instance and the user wishes to enable load balancing, the user must first disable VPLS auto-discovery, then re-enable it with the load-balancing option. When the user attempts to enable load balancing when VPLS auto-discovery is enabled, the console displays the following message:

```
Brocade(config-mpls-vpls-c1)# auto-discovery load-balance
Error: Please disable auto-discovery before make change!
```

To enable load balancing for a VPLS instance that has VPLS auto-discovery enabled, enter commands such as the following.

```
Brocade(config)# router mpls
Brocade(config-mpls)# vpls c1 10
Brocade(config-mpls-vpls-c1)# no auto-discovery
Brocade(config-mpls-vpls-c1)# auto-discovery load-balance
```



The above commands disable VPLS auto-discovery for VPLS instance “c1”, then re-enable VPLS auto-discovery with the load-balance option.

Syntax: [no] auto-discovery

Syntax: [no] auto-discovery load-balance

#### Disabling load balancing

To disable load balancing when VPLS auto-discovery is enabled on the device, first disable VPLS auto-discovery, then re-enable it without the load-balancing option.

```
Brocade(config)# router mpls
Brocade(config-mpls)# vpls c1 10
Brocade(config-mpls-vpls-c1)# no auto-discovery load-balance
Brocade(config-mpls-vpls-c1)# auto-discovery
```

Syntax: [no] auto discovery load-balance

Syntax: [no] auto-discovery

#### Viewing the load balancing configuration

Use the show mpls vpls name command to view when VPLS traffic to the peer is load balanced across tunnel LSPs, and to the tunnel LSPs used to reach the peer. Refer to [“Displaying information about VPLS auto-discovery and load balancing”](#) on page 789.

## Enabling VPLS auto-discovery

---

### NOTE

Before enabling VPLS auto-discovery, make sure the user has completed the configuration tasks listed in [Table 144](#) on page 762.

---

To enable auto-discovery for a VPLS instance, enter commands such as the following.

```
Brocade(config)# router mpls
Brocade(config-mpls)# vpls c1
Brocade(config-mpls-vpls-c1)# auto-discovery
```

These commands enable MPLS, then change the CLI configuration level from the global MPLS level to the configuration level for the VPLS instance “c1”. The auto-discovery command enables auto-discovery for this VPLS instance.

Syntax: [no] auto-discovery

Use the [no] form of the command to disable VPLS auto-discovery.

### Configuration notes

Consider the following configuration notes while enabling VPLS auto-discovery:

- When the user attempts to enable VPLS auto-discovery without first adding a loopback interface, the following error message displays on the console.

```
Brocade(config-mpls-vpls-c2)# auto-discovery
Error: Please configure a loopback address for LDP first!
```

To add a loopback interface, follow the configuration instructions in [“Configuring a loopback interface”](#) on page 762.

- When the user attempts to enable VPLS auto-discovery without first configuring the BGP AS number, the following error message displays on the console.

```
Brocade(config-mpls-vpls-c2)# auto-discovery
Error: Cannot configure auto-discovery before configuring BGP-AS number!
```

To configure the BGP AS number, follow the configuration instructions in [“Configuring BGP4 to support VPLS auto-discovery”](#) on page 764.

### Configuring the L2VPN VPLS address family and activating the BGP4 peering session

This section describes how to configure the L2VPN VPLS address family and activate BGP4 peering. More information about the L2VPN VPLS address family is in the section [“About the L2VPN VPLS address family”](#) on page 761.

---

#### NOTE

It is recommended that the user activates peering on the L2VPN VPLS address family after performing steps 1 – 5 in [Table 144](#). Otherwise, the user needs to clear the entire peering session.

---

To configure the L2VPN VPLS address family, enter commands such as the following.

```
Brocade(config)# router bgp
Brocade(config-bgp)# address-family l2vpn vpls
Brocade(config-bgp-l2vpn-vpls)# neighbor 10.10.1.1 activate
Brocade(config-bgp-l2vpn-vpls)# exit
```

Syntax: [no] address-family l2vpn vpls

Syntax: [no] neighbor *IPv4-address* | *peer group name* activate | remote-as | send-community extended

The activate command enables the exchange and updating of routes within the L2VPN VPLS address family.

The send-community extended command enables the sending of extended community attributes to this neighbor.

## Clearing the BGP L2VPN route table

The user can clear routes from the BGP L2VPN route table with or without resetting the BGP session. Use the appropriate commands in this section.

## Clearing the BGP L2VPN route table and resetting BGP

---

### NOTE

This section describes how to clear routes from the BGP L2VPN route table and reset the BGP session. When the user does not want to reset the BGP session while clearing routes, refer to “Clearing the BGP L2VPN route table without resetting the BGP session” on page 771.

---

The user can clear routes from the BGP L2VPN route table that were exchanged by the Brocade device and:

- All BGP4 neighbors
- A specific neighbor
- A specific peer group

To clear and reset all BGP4 routes from the BGP L2VPN route table, enter the following command.

```
Brocade# clear ip bgp l2vpn vpls neighbor all
```

To clear and reset BGP4 routes exchanged by the Brocade device and a *specific neighbor*, enter a command such as the following.

```
Brocade# clear ip bgp l2vpn vpls neighbor 10.10.10.1
```

To clear and reset BGP4 routes exchanged by the Brocade device and a *specific peer group*, enter a command such as the following.

```
Brocade# clear ip bgp l2vpn vpls neighbor peergroup1
```

Syntax: clear ip bgp l2vpn vpls neighbor | *ip-addr* | *peer-group-name*

The all | *ip-addr* | *peer-group-name* | *as-num* specifies the neighbor.

The *ip-addr* parameter specifies a neighbor by its IP interface with the Brocade device.

The *peer-group-name* specifies all neighbors in a specific peer group.

## Clearing the BGP L2VPN route table without resetting the BGP session

When clearing all BGP4 routes from the BGP L2VPN route table, the user can place policy changes into effect without resetting the BGP session. To do so, enter a command such as the following.

```
Brocade(config-bgp)# clear ip bgp l2vpn vpls neighbor all soft in
```

This command updates the inbound routes in the BGP L2VPN route table by comparing the route policies against the route updates that the Brocade device has stored. The command does not request additional updates from the neighbor or otherwise affect the session with the neighbor.

Syntax: clear ip bgp l2vpn vpls neighbor all | *ip-addr* | *peer-group-name* soft [in | out]

The soft parameter performs a soft reset of the neighbor session, which does not affect the session with the neighbor.

The in parameter updates inbound routes.

The out parameter updates outbound routes.

---

#### NOTE

When the user does not specify “in”, the command applies to both inbound and outbound updates.

---

## Example configuration

The following shows a typical VPLS auto-discovery configuration.

### Brocade1 configuration

The following commands are entered on Brocade1.

```
Brocade(config)# int loopback 1
Brocade(config-lbif-1)# ip address 10.1.1.1/24
Brocade(config-lbif-1)# exit
Brocade(config)# router bgp
BGP4: Please configure 'local-as' parameter in order to enable BGP4.
Brocade(config-bgp)# local-as 10
Brocade(config-bgp)# neighbor 10.1.1.2 remote-as 10
Brocade(config-bgp)# exit
Brocade(config)# router mpls
Brocade(config-mpls)# mpls-interface ethernet 1/1
Brocade(config-mpls)# vpls C1 10
Brocade(config-mpls-vpls-C1)# auto-discovery
Brocade(config-mpls)# exit
Brocade(config-mpls)# vpls C2 20
Brocade(config-mpls-vpls-C2)# auto-discovery
Brocade(config-mpls-vpls-C2)# exit
Brocade(config-mpls)# exit
Brocade(config)# router bgp
Brocade(config-bgp)# address-family l2vpn vpls
Brocade(config-bgp-l2vpn-vpls)# neighbor 10.1.1.2 activate
Brocade(config-bgp-l2vpn-vpls)# exit-address-family
Brocade(config-bgp)# exit
Brocade(config)#
```

### Brocade2 configuration

The following commands are entered on Brocade2, a peer of Brocade1.

```
Brocade(config)# int loopback 1
Brocade(config-lbif-1)# ip address 10.1.1.2/24
Brocade(config-lbif-1)# exit
Brocade(config)# router bgp
BGP4: Please configure 'local-as' parameter in order to enable BGP4.
Brocade(config-bgp)# local-as 10
Brocade(config-bgp)# neighbor 10.1.1.1 remote-as 10
Brocade(config-bgp)# exit
```

```
Brocade(config)# router mpls
Brocade(config-mpls)# mpls-interface ethernet 1/1
Brocade(config-mpls)# vpls C1 10
Brocade(config-mpls-vpls-C1)# auto-discovery
Brocade(config-mpls)# exit
Brocade(config-mpls)# vpls C2 20
Brocade(config-mpls-vpls-C2)# auto-discovery
Brocade(config-mpls-vpls-C2)# exit
Brocade(config-mpls)# exit
Brocade(config)# router bgp
Brocade(config-bgp)# address-family l2vpn vpls
Brocade(config-bgp-l2vpn-vpls)# neighbor 10.1.1.1 activate
Brocade(config-bgp-l2vpn-vpls)# exit-address-family
Brocade(config-bgp)# exit
Brocade(config)#
```

After applying the above commands, the user can use various show commands to display information about the VPLS auto-discovery configuration. In the show command examples that follow, the lines in bold type indicate the information specific to the VPLS auto-discovery configuration.

---

**NOTE**

The show mpls vpls name command has changed. The total VC labels allocated field is no longer displayed in the output of the show mpls vpls name command.

---

## 8 Example configuration

```
Brocade1# show ip bgp nei 10.1.1.2
1  IP Address: 10.1.1.2, AS: 10 (IBGP), RouterID: 10.2.2.2, VRF: default-vrf
   State: ESTABLISHED, Time: 0h1m5s, KeepAliveTime: 60, HoldTime: 180
     KeepAliveTimer Expire in 34 seconds, HoldTimer Expire in 175 seconds
   Minimal Route Advertisement Interval: 0 seconds
     RefreshCapability: Received
   Messages:   Open      Update  KeepAlive Notification Refresh-Req
     Sent      : 1        1        2          0          0
     Received: 1        4        2          0          0
   Last Update Time: NLRI      Withdraw      NLRI      Withdraw
                   Tx: ---      ---          Rx: 0h1m5s  ---
   Last Connection Reset Reason: Hold Timer Expired
   Notification Sent:      Unspecified
   Notification Received: Unspecified
   Neighbor NLRI Negotiation:
     Peer Negotiated IPV4 unicast capability
     Peer Negotiated VPNv4 unicast capability
     Peer Negotiated L2VPN VPLS address family
     Peer configured for IPV4 unicast Routes
     Peer configured for VPNv4 unicast Routes
     Peer configured for L2VPN VPLS address family
   Neighbor Capability Negotiation:
   As-path attribute count: 3

Brocade1# show ip bgp l2vpn vpls sum
BGP4 Summary
Router ID: 10.1.1.1  Local AS Number: 10
Confederation Identifier: not configured
Confederation Peers:
Maximum Number of IP ECMP Paths Supported for Load Sharing: 1
Number of Neighbors Configured: 1, UP: 1
Number of Routes Installed: 4, Uses 344 bytes
Number of Routes Advertising to All Neighbors: 2, Uses 88 bytes
Number of Attribute Entries Installed: 4, Uses 376 bytes
Neighbor Address  AS#      State  Time      Rt:Accepted  Filtered  Sent      ToSend
10.1.1.2          10      ESTAB  0h 7m21s  2            0         2         0

Brocade1# show ip bgp l2vpn vpls
Total number of BGP L2VPN VPLS Routes: 4
Status codes: s suppressed, d damped, h history, * valid, > best, i internal, S
stale
Origin codes: i - IGP, e - EGP, ? - incomplete
Network          Next Hop      Metric  LocPrf  Weight  Path
Route Distinguisher: 10:10
*> 10.1.1.1/32    0.0.0.0      0       100    65535  i<< local VPLS endpoint for C1
*i 10.2.2.2/32    0.0.0.0      0       100    0      i<<remote VPLS endpoint for C1
Route Distinguisher: 10:20
*> 10.1.1.1/32    0.0.0.0      0       100    65535  i
*i 10.2.2.2/32    0.0.0.0      0       100    0      i
```

```

Brocade1# show mpls vpls name c1
VPLS c1, Id 10, Max mac entries: 8192
Total vlans: 0, Tagged ports: 0 (0 Up), Untagged ports 0 (0 Up)
Total VPLS peers: 1 (0 Operational)
auto-discovery enabled, RD 10:10
export RT 10:10
import RT 10:10
Peer address: 10.2.2.2 (auto-discovered), State: Wait for functional local ports
  Tnml in use: None
  LDP session: Up, Local VC lbl: 983040, Remote VC lbl: N/A
  Local VC MTU: 1500, Remote VC MTU: 0
  CPU-Protection: OFF
  Local Switching: Enabled

Brocade1# show mpls vpls name c2
VPLS c2, Id 20, Max mac entries: 8192
Total vlans: 0, Tagged ports: 0 (0 Up), Untagged ports 0 (0 Up)
Total VPLS peers: 1 (0 Operational)
auto-discovery enabled, RD 10:20
export RT 10:20
import RT 10:20
Peer address: 10.2.2.2 (auto-discovered), State: Wait for functional local ports
  Tnml in use: None
  LDP session: Up, Local VC lbl: 983072, Remote VC lbl: N/A
  Local VC MTU: 1500, Remote VC MTU: 0
  CPU-Protection: OFF
  Local Switching: Enabled
    
```

## Displaying VPLS auto-discovery information

The user can display the following information about the VPLS auto-discovery configuration:

- L2VPN VPLS address family and associated routes
- VPLS auto-discovered peers
- Load balancing status for VPLS auto-discovered peers
- LDP configuration, including the loopback interface and router ID

## Displaying information about BGP L2VPN VPLS routes

The user can use the `show ip bgp l2vpn vpls` command with the parameters listed in [Table 145](#) to view information related to BGP L2VPN VPLS routes.

**TABLE 145** Parameters for CLI command `show ip bgp l2vpn vpls`

Parameter	Displays...	For details, see...
<i>A.B.C.D</i> or <i>A.B.C.D/L</i> (route IP address)	The BGP L2VPN VPLS routes for a particular IP route address	<a href="#">page 777</a>
<code>attribute-entries</code>	AS-path attribute entries	<a href="#">page 778</a>
<code>neighbors</code>	Details about TCP and BGP neighbor connections	<a href="#">page 780</a>
<code>rd</code>	Details about the route distinguisher	<a href="#">page 785</a>
<code>routes</code>	Information about BGP L2VPN VPLS routes	<a href="#">page 786</a>
<code>summary</code>	A summary of the BGP L2VPN VPLS neighbor status	<a href="#">page 788</a>

## Viewing all BGP L2VPN VPLS routes

The `show ip bgp l2vpn vpls` command displays all of the BGP L2VPN VPLS routes. The following shows example output.

```
Brocade1# show ip bgp l2vpn vpls
Total number of BGP L2VPN VPLS Routes: 4
Status codes: s suppressed, d damped, h history, * valid, > best, i internal, S
stale
Origin codes: i - IGP, e - EGP, ? - incomplete
      Network      Next Hop      Metric LocPrf Weight Path
Route Distinguisher: 10:10
*> 10.1.1.1/32     0.0.0.0       0       100     65535  i
*i 10.2.2.2/32     0.0.0.0       0       100      0      i

Route Distinguisher: 10:20
*> 10.1.1.1/32     0.0.0.0       0       100     65535  i
*i 10.2.2.2/32     0.0.0.0       0       100      0      i
```

Syntax: `show ip bgp l2vpn vpls`

Table 146 defines the fields shown in the above example output.

**TABLE 146** Output for the `show ip bgp l2vpn vpls` command

This field...	Displays
Total number of BGP L2VPN VPLS Routes	The number of BGP4 routes in the BGP L2VPN VPLS route table.
Status codes	<p>A list of the characters the display uses to indicate the route's status. The status code appears in the left column of the display, to the left of each route:</p> <ul style="list-style-type: none"> <li>• s (suppressed) – This route was suppressed during aggregation and thus is not advertised to neighbors.</li> <li>• d (damped) – This route has been dampened (by the route dampening feature), and is currently unusable.</li> <li>• h (history) – Route dampening is configured for this route, and the route has a history of flapping and is unreachable now.</li> <li>• * (valid) – The next-hop of this route can be resolved by the routing table.</li> <li>• &gt; (best) – BGP4 has determined that this is the optimal route to the destination.</li> <li>• i (internal) – The route was learned through BGP4.</li> <li>• S (stale) – This route is stale and is cleaned up.</li> </ul>



**TABLE 146** Output for the show ip bgp l2vpn vpls command (Continued)

This field...	Displays
Origin codes	<p>A list of the characters the display uses to indicate the route's origin. The origin code appears to the right of the AS path (Path field). The origin code can be one of the following:</p> <ul style="list-style-type: none"> <li>• i - IGP - The routes with this set of attributes came to BGP4+ through IGP</li> <li>• e - EGP - The routes with this set of attributes came to BGP4+ through EGP.</li> <li>• ? - incomplete - The routes came from an origin other than IGP or EGP. For example, they may have been redistributed from OSPF or RIP.</li> </ul> <p>NOTE: When BGP4 compares multiple routes to a destination to select the best route, IGP is preferred over EGP and both are preferred over INCOMPLETE.</p>
Route Distinguisher	<p>A unique ID that is prepended on any address being routed or advertised from a Virtual Routing and Forwarding (VRF) instance. The RD can be defined as either ASN-relative or IP address-relative as described:</p> <ul style="list-style-type: none"> <li>• ASN-relative - Composed of the local ASN number followed by a ":" (colon) and a unique arbitrary number. For example: 3:6</li> <li>• IP address-relative - Composed of the local IP address followed by a ":" (colon) and a unique arbitrary number.</li> </ul>
Network	The IP address and network mask of the destination network of the route.
Next Hop	The IP address of the next-hop router.
Metric	The cost of the routes that have this set of attributes.
LocPrf	The degree of preference for this route relative to other routes in the local AS. When the BGP4+ algorithm compares routes on the basis of local preferences, the route with the higher local preference is chosen. The preference can have a value from 0 - 4294967295.
Weight	The value that this route associates with routes from a specific neighbor. For example, when the Brocade device receives routes to the same destination from two BGP4 neighbors, the device prefers the route from the neighbor with the larger weight
Path	The AS path for the route.

### Viewing BGP L2VPN VPLS routes for a particular IP route address

The show ip bgp l2vpn vpls *IP route address* command displays the BGP L2VPN VPLS routes for a particular IP route address.

```
mu2(config-lbif-1)# show ip bgp l2vpn vpls 10.1.1.1
Total number of BGP L2VPN VPLS Routes: 1
Status codes: s suppressed, d damped, h history, * valid, > best, i internal, S
stale
Origin codes: i - IGP, e - EGP, ? - incomplete
Network      Next Hop  Metric  LocPrf  Weight  Path  Route Distinguisher: 10:10
10.3.3.3/32  10.0.0.0  0       100    65535  i
```

Syntax: show ip bgp l2vpn vpls *IP route address*

Field definitions for the show ip bgp l2vpn vpls *IP route address* command are the same as for show ip bgp l2vpn vpls. Refer to [Table 146](#).

## Viewing BGP L2VPN VPLS route attribute entries

Use the show ip bgp l2vpn vpls attribute-entries command to view attribute entries for BGP L2VPN VPLS routes.

```
Brocade1# show ip bgp l2vpn vpls attribute-entries
      Total number of BGP Attribute Entries: 4 (2)
1     Next Hop  :10.0.0.0           Metric   :0                       Origin:IGP
      Originator:10.0.0.0           Cluster List:None
      Aggregator:AS Number :0       Router-ID:0.0.0.0             Atomic:None
      Local Pref:100                Communities:Internet
      Extended Community: RT 10:10
      AS Path   : (length 0)
      Address: 0x1431f5a2 Hash:108 (0x01000000), PeerIdx 0
      Links: 0x00000000, 0x00000000, nlri: 0x143709e4
      Reference Counts: 1:0:0, Magic: 5
2     Next Hop  :10.0.0.0           Metric   :0                       Origin:IGP
      Originator:10.0.0.0           Cluster List:None
      Aggregator:AS Number :0       Router-ID:0.0.0.0             Atomic:None
      Local Pref:100                Communities:Internet
      Extended Community: RT 10:20
      AS Path   : (length 0)
      Address: 0x1431f608 Hash:620 (0x01000000), PeerIdx 0
      Links: 0x00000000, 0x00000000, nlri: 0x14370a42
      Reference Counts: 1:0:0, Magic: 6
3     Next Hop  :10.0.0.0           Metric   :0                       Origin:IGP
      Originator:10.0.0.0           Cluster List:None
      Aggregator:AS Number :0       Router-ID:0.0.0.0             Atomic:None
      Local Pref:100                Communities:Internet
      Extended Community: RT 10:10
      AS Path   : (length 0)
      AsPathLen: 0 AsNum: 0, SegmentNum: 0, Neighboring As: 0, Source As 0
      Address: 0x1431f4d6 Hash:108 (0x01000000), PeerIdx 4000
      Links: 0x00000000, 0x00000000, nlri: 0x14370928
      Reference Counts: 1:0:1, Magic: 3
4     Next Hop  :10.0.0.0           Metric   :0                       Origin:IGP
      Originator:10.0.0.0           Cluster List:None
      Aggregator:AS Number :0       Router-ID:0.0.0.0             Atomic:None
      Local Pref:100                Communities:Internet
      Extended Community: RT 10:20
      AS Path   : (length 0)
      AsPathLen: 0 AsNum: 0, SegmentNum: 0, Neighboring As: 0, Source As 0
      Address: 0x1431f53c Hash:620 (0x01000000), PeerIdx 4000
      Links: 0x00000000, 0x00000000, nlri: 0x14370986
      Reference Counts: 1:0:1, Magic: 4
```

Syntax: show ip bgp l2vpn vpls attribute-entries

[Table 147](#) defines the fields shown in the above example output.

**TABLE 147** Output for the show ip bgp l2vpn vpls attribute-entries command

This field...	Displays
Total number of BGP Attribute Entries	The number of routes contained in this device's BGP L2VPN VPLS route table.
Next Hop	The IP address of the next hop router for routes that have this set of attributes.
Metric	The cost of the routes that have this set of attributes.
Origin	<p>The source of the route information. The origin can be one of the following:</p> <ul style="list-style-type: none"> <li>• EGP – The routes with this set of attributes came to BGP through EGP.</li> <li>• IGP – The routes with this set of attributes came to BGP through IGP.</li> <li>• INCOMPLETE – The routes came from an origin other than one of the above. For example, they may have been redistributed from OSPF or RIP.</li> </ul> <p>NOTE: When BGP4 compares multiple routes to a destination to select the best route, IGP is preferred over EGP and both are preferred over INCOMPLETE.</p>
Originator	The originator of the route in a route reflector environment.
Cluster List	The route-reflector clusters through which this set of attributes has passed.
Aggregator	<p>Aggregator information:</p> <ul style="list-style-type: none"> <li>• AS Number shows the AS in which the network information in the attribute set was aggregated. This value applies only to aggregated routes and is otherwise 0.</li> <li>• Router-ID shows the router that originated this aggregator.</li> </ul>
Atomic	<p>Indicates whether the network information in this set of attributes has been aggregated and this aggregation has resulted in information loss.</p> <p>NOTE: Information loss under these circumstances is a normal part of BGP4 and does not indicate an error.</p>
Local Pref	The degree of preference for routes that use this set of attributes relative to other routes in the local AS.
Communities	The communities to which routes with this set of attributes belong.
Extended Community	The extended community attributes.
AS Path	The AS path through which routes with this set of attributes have passed. The local AS is shown in parentheses.
Address	This field is an internal value used for debugging purposes only.
Links	This field is an internal value used for debugging purposes only.
Reference Counts	This field is an internal value used for debugging purposes only.

## Viewing neighbor connections

Use the `show ip bgp l2vpn vpls neighbors` command to view the details of TCP and BGP neighbor connections.

```

Brocade1# show ip bgp l2vpn vpls neighbors
Total number of BGP Neighbors: 1
1 IP Address: 10.1.1.2, AS: 10 (IBGP), RouterID: 10.2.2.2, VRF: default-vrf
State: ESTABLISHED, Time: 0h15m47s, KeepAliveTime: 60, HoldTime: 180
KeepAliveTimer Expire in 49 seconds, HoldTimer Expire in 148 seconds
Minimal Route Advertisement Interval: 0 seconds
RefreshCapability: Received
Messages:   Open    Update  KeepAlive  Notification  Refresh-Req
Sent       : 3      2      19         0             0
Received: 1      2      18         0             0
Last Update Time: NLRI      Withdraw      NLRI      Withdraw
                  Tx: 0h15m47s  ---          Rx: 0h15m47s  ---
Last Connection Reset Reason: Hold Timer Expired
Notification Sent:      Unspecified
Notification Received: Unspecified
Neighbor NLRI Negotiation:
Peer Negotiated IPV4 unicast capability
Peer Negotiated L2VPN VPLS address family
Peer configured for IPV4 unicast Routes
Peer configured for L2VPN VPLS address family
Neighbor AS4 Capability Negotiation:
As-path attribute count: 2
TCP Connection state: ESTABLISHED, flags:00000044 (0,0)
Maximum segment size: 1460
TTL check: 0, value: 0, rcvd: 64
Byte Sent: 604, Received: 585
Local host: 10.1.1.1, Local Port: 179
Remote host: 10.1.1.2, Remote Port: 8018
ISentSeq: 310843582 SendNext: 310844187 TotUnAck: 0
TotSent: 605 ReTrans: 0 UnAckSeq: 310844187
IRcvSeq: 310909513 RcvNext: 310910099 SendWnd: 64981
TotalRcv: 586 DupliRcv: 0 RcvWnd: 65000
SendQue: 0 RcvQue: 0 CngstWnd: 3102

```

Syntax: `show ip bgp l2vpn vpls neighbors`

**TABLE 148** Output for the `show ip bgp l2vpn vpls neighbors` command

This field...	Displays...
Total Number of BGP Neighbors	The number of BGP neighbors configured.
IP Address	The IP address of the neighbor.
AS	The AS number to which the neighbor belongs.
EBGP or IBGP	Whether the neighbor session is an IBGP session, an EBGP session, or a confederation EBGP session: <ul style="list-style-type: none"> <li>• EBGP – The neighbor is in another AS.</li> <li>• EBGP_Confed – The neighbor is a member of another sub-AS in the same confederation.</li> <li>• IBGP – The neighbor is in the same AS.</li> </ul>
RouterID	The neighbor's router ID.

**TABLE 148** Output for the show ip bgp l2vpn vpls neighbors command (Continued)

This field...	Displays...
VRF	<ul style="list-style-type: none"> <li>• default-vrf – The L2VPN is only applicable to the global default VRF instance.</li> </ul>
State	<p>The state of the Brocade device’s session with the neighbor. The states are from this device’s perspective of the session, not the neighbor’s perspective. The state values are based on the BGP4 state machine values described in RFC 1771 and can be one of the following for each router:</p> <ul style="list-style-type: none"> <li>• IDLE – The BGP4 process is waiting to be started. Usually, enabling BGP4 or establishing a neighbor session starts the BGP4 process.</li> <li>• ADMND – The neighbor has been administratively shut down.</li> <li>• CONNECT – BGP4 is waiting for the connection process for the TCP neighbor session to be completed.</li> <li>• ACTIVE – BGP4 is waiting for a TCP connection from the neighbor.</li> </ul> <p>NOTE: When the state frequently changes between CONNECT and ACTIVE, there may be a problem with the TCP connection.</p> <ul style="list-style-type: none"> <li>• OPEN SENT – BGP4 is waiting for an Open message from the neighbor.</li> <li>• OPEN CONFIRM – BGP4 has received an OPEN message from the neighbor and is now waiting for either a KEEPALIVE or NOTIFICATION message. When the Brocade device receives a KEEPALIVE message from the neighbor, the state changes to Established. When the message is a NOTIFICATION, the state changes to Idle.</li> <li>• ESTABLISHED – BGP4 is ready to exchange UPDATE messages with the neighbor.</li> </ul>
State (cont’d)	<p>Operational States:</p> <p>Additional information regarding the operational states of the BGP states described above may be added as described in the following:</p> <ul style="list-style-type: none"> <li>• (+) – Indicates that there is more BGP data in the TCP receiver queue.</li> <li>• (-) – indicates that the session has gone down and the software is clearing or removing routes.</li> <li>• (*) – indicates that the inbound or outbound policy is being updated for the peer.</li> <li>• (s) – indicates that the peer has negotiated restart, and the session is in a stale state.</li> <li>• (r) – indicates that the peer is restarting the BGP connection, through restart.</li> <li>• (^) – On the standby MP indicates that the peer is in the ESTABLISHED state and has received restart capability (in the primary MP).</li> <li>• (&lt;) – Indicates that the Brocade device is waiting to receive the “End of RIB” message from the peer.</li> </ul>
Time	The amount of time this session has been in its current state.
KeepAliveTime	The keep alive time, which specifies how often this device sends keep alive messages to the neighbor.
HoldTime	The hold time, which specifies how many seconds the Brocade device waits for a KEEPALIVE or UPDATE message from a BGP4 neighbor before deciding that the neighbor is dead.
Minimal Route Advertisement Interval	The minimum time elapse between route advertisements to the same neighbor.
RefreshCapability	Indicates whether this Brocade device has received confirmation from the neighbor that the neighbor supports the dynamic refresh capability.

**TABLE 148** Output for the show ip bgp l2vpn vpls neighbors command (Continued)

This field...	Displays...
Messages Sent	The number of messages this device has sent to the neighbor. The display shows statistics for the following message types: <ul style="list-style-type: none"> <li>• Open</li> <li>• Update</li> <li>• KeepAlive</li> <li>• Notification</li> <li>• Refresh-Req</li> </ul>
Messages Received	The number of messages this device has received from the neighbor. The message types are the same as for the Message Sent field.
Last Update Time	The last time updates were sent and received for the following: <ul style="list-style-type: none"> <li>• NLRIs</li> <li>• Withdraws</li> </ul>
Last Connection Reset Reason	The reason the previous session with this neighbor ended. The reason can be one of the following: <ul style="list-style-type: none"> <li>• Reasons described in the BGP specifications: <ul style="list-style-type: none"> <li>• Message Header Error</li> <li>• Connection Not Synchronized</li> <li>• Bad Message Length</li> <li>• Bad Message Type</li> <li>• OPEN Message Error</li> <li>• Unsupported Version Number</li> <li>• Bad Peer AS Number</li> <li>• Bad BGP Identifier</li> <li>• Unsupported Optional Parameter</li> <li>• Authentication Failure</li> <li>• Unacceptable Hold Time</li> <li>• Unsupported Capability</li> <li>• UPDATE Message Error</li> <li>• Malformed Attribute List</li> <li>• Unrecognized Well-known Attribute</li> <li>• Missing Well-known Attribute</li> <li>• Attribute Flags Error</li> <li>• Attribute Length Error</li> <li>• Invalid ORIGIN Attribute</li> <li>• Invalid NEXT_HOP Attribute</li> <li>• Optional Attribute Error</li> <li>• Invalid Network Field</li> <li>• Malformed AS_PATH</li> <li>• Hold Timer Expired</li> <li>• Finite State Machine Error</li> <li>• Rcv Notification</li> </ul> </li> </ul>

**TABLE 148** Output for the show ip bgp l2vpn vpls neighbors command (Continued)

This field...	Displays...
Last Connection Reset Reason (cont'd)	<ul style="list-style-type: none"> <li>• Reasons specific to the implementation:                             <ul style="list-style-type: none"> <li>• Reset All Peer Sessions</li> <li>• User Reset Peer Session</li> <li>• Port State Down</li> <li>• Peer Removed</li> <li>• Peer Shutdown</li> <li>• Peer AS Number Change</li> <li>• Peer AS Confederation Change</li> <li>• TCP Connection KeepAlive Timeout</li> <li>• TCP Connection Closed by Remote</li> <li>• TCP Data Stream Error Detected</li> </ul> </li> </ul>
Notification Sent	<p>When the device sends a NOTIFICATION message to the neighbor, the message contains an error code corresponding to one of the following errors. Some errors have subcodes that clarify the reason for the error. Where applicable, the subcode messages are listed underneath the error code messages.</p> <ul style="list-style-type: none"> <li>• Message Header Error:                             <ul style="list-style-type: none"> <li>• Connection Not Synchronized</li> <li>• Bad Message Length</li> <li>• Bad Message Type</li> <li>• Unspecified</li> </ul> </li> <li>• Open Message Error:                             <ul style="list-style-type: none"> <li>• Unsupported Version</li> <li>• Bad Peer As</li> <li>• Bad BGP Identifier</li> <li>• Unsupported Optional Parameter</li> <li>• Authentication Failure</li> <li>• Unacceptable Hold Time</li> <li>• Unspecified</li> </ul> </li> <li>• Update Message Error:                             <ul style="list-style-type: none"> <li>• Malformed Attribute List</li> <li>• Unrecognized Attribute</li> <li>• Missing Attribute</li> <li>• Attribute Flag Error</li> <li>• Attribute Length Error</li> <li>• Invalid Origin Attribute</li> <li>• Invalid NextHop Attribute</li> <li>• Optional Attribute Error</li> <li>• Invalid Network Field</li> <li>• Malformed AS Path</li> <li>• Unspecified</li> </ul> </li> <li>• Hold Timer Expired</li> <li>• Finite State Machine Error</li> <li>• Cease</li> <li>• Unspecified</li> </ul>
Notification Received	<p>When the device receives a NOTIFICATION message from the neighbor, the message contains an error code corresponding to one of the following errors. Some errors have subcodes that clarify the reason for the error. Where applicable, the subcode messages are listed underneath the error code messages.</p> <p>See above.</p>

**TABLE 148** Output for the show ip bgp l2vpn vpls neighbors command (Continued)

This field...	Displays...
Neighbor NLRI Negotiation	The state of the NLRI negotiation with the neighbor. For example: <ul style="list-style-type: none"> <li>Peer negotiated IPv4 unicast capability</li> <li>Peer negotiated L2VPN VPLS address family</li> <li>Peer configured for IPv4 unicast routes</li> <li>Peer configured for L2VPN VPLS address family</li> </ul>
Neighbor AS4 Capability Negotiation	Whether this neighbor enabled 4 bytes ASN capability.
As-path attribute count	The number of unique path attributes learned from this neighbor.
TCP Connection state	The state of the connection with the neighbor. The connection can have one of the following states: <ul style="list-style-type: none"> <li>LISTEN – Waiting for a connection request.</li> <li>SYN-SENT – Waiting for a matching connection request after having sent a connection request.</li> <li>SYN-RECEIVED – Waiting for a confirming connection request acknowledgment after having both received and sent a connection request.</li> <li>ESTABLISHED – Data can be sent and received over the connection. This is the normal operational state of the connection.</li> <li>FIN-WAIT-1 – Waiting for a connection termination request from the remote TCP, or an acknowledgment of the connection termination request previously sent.</li> <li>FIN-WAIT-2 – Waiting for a connection termination request from the remote TCP.</li> <li>CLOSE-WAIT – Waiting for a connection termination request from the local user.</li> <li>CLOSING – Waiting for a connection termination request acknowledgment from the remote TCP.</li> <li>LAST-ACK – Waiting for an acknowledgment of the connection termination request previously sent to the remote TCP (which includes an acknowledgment of its connection termination request).</li> <li>TIME-WAIT – Waiting for enough time to pass to be sure the remote TCP received the acknowledgment of its connection termination request.</li> <li>CLOSED – There is no connection state.</li> </ul>
Maximum segment size	The TCP maximum segment size.
TTL check	The TCP TTL check.
Byte Sent	The number of bytes sent.
Byte Received	The number of bytes received.
Local host	The IP address of the Brocade device.
Local port	The TCP port the Brocade device is using for the BGP4 TCP session with the neighbor.
Remote host	The IP address of the neighbor.
Remote port	The TCP port the neighbor is using for the BGP4 TCP session with the Brocade device.
ISentSeq	The initial send sequence number for the session.
SendNext	The next sequence number to be sent.
TotUnAck	The number of sequence numbers sent by the Brocade device that have not been acknowledged by the neighbor.



**TABLE 148** Output for the show ip bgp l2vpn vpls neighbors command (Continued)

This field...	Displays...
TotSent	The number of sequence numbers sent to the neighbor.
ReTrans	The number of sequence numbers that the Brocade device retransmitted because they were not acknowledged.
UnAckSeq	The current acknowledged sequence number.
IRcvSeq	The initial receive sequence number for the session.
RcvNext	The next sequence number expected from the neighbor.
SendWnd	The size of the send window.
TotalRcv	The number of sequence numbers received from the neighbor.
DupliRcv	The number of duplicate sequence numbers received from the neighbor.
RcvWnd	The size of the receive window.
SendQue	The number of sequence numbers in the send queue.
RcvQue	The number of sequence numbers in the receive queue.
CngstWnd	The number of times the window has changed.

### Viewing information for a route distinguisher

Use the show ip bgp l2vpn vpls rd command to view information for a particular route distinguisher.

```

Brocade# show ip bgp l2vpn vpls rd 10:10
Total number of BGP Routes: 2
Status codes: s suppressed, d damped, h history, * valid, > best, i internal, S
stale
Origin codes: i - IGP, e - EGP, ? - incomplete
      Network      Next Hop      Metric LocPrf  Weight Path
*>  10.1.1.1/32    10.0.0.0      0      100    65535  i
*i  10.2.2.2/32    10.0.0.0      0      100     0     i
    
```

Syntax: show ip bgp l2vpn vpls rd

**TABLE 149** Output for the show ip bgp l2vpn vpls rd command

This field...	Displays
Total number of BGP Routes	The number of BGP4 routes the Brocade device has installed in the BGP L2VPN VPLS route table.
Status codes	A list of the characters the display uses to indicate the route's status. Refer to "Status codes" on page 776.
Origin codes	A list of the characters the display uses to indicate the route's origin. Refer to "Origin codes" on page 777.
Network	The IP address and network mask of the destination network of the route.
Next Hop	The IP address of the next-hop router.
Metric	The cost of the route.

**TABLE 149** Output for the show ip bgp l2vpn vpls rd command (Continued)

This field...	Displays
LocPrf	The degree of preference for this route relative to other routes in the local AS. When the BGP4+ algorithm compares routes on the basis of local preferences, the route with the higher local preference is chosen. The preference can have a value from 0 – 4294967295.
Weight	The value that this route associates with routes from a specific neighbor. For example, when the Brocade device receives routes to the same destination from two BGP4 neighbors, the device prefers the route from the neighbor with the larger weight.
Path	The AS path for the route.

## Viewing information about BGP L2VPN VPLS routes

Use the show ip bgp l2vpn vpls routes command to view information about BGP L2VPN VPLS routes.

```

Brocade1# show ip bgp l2vpn vpls routes
Total number of BGP Routes: 4
Status A:AGGREGATE B:BEST b:NOT-INSTALLED-BEST C:CONFED_EBGP D:DAMPED
      E:EBGP H:HISTORY I:IBGP L:LOCAL M:MULTIPATH m:NOT-INSTALLED-MULTIPATH
      S:SUPPRESSED F:FILTERED s:STALE
      Prefix      Next Hop      Metric      LocPrf      Weight Status
Route Distinguisher: 10:10
1      10.1.1.1/32    10.0.0.0      0           100         65535 BL
      AS_PATH:
2      10.2.2.2/32    10.0.0.0      0           100         0      I
      AS_PATH:
Route Distinguisher: 10:20
3      10.1.1.1/32    10.0.0.0      0           100         65535 BL
      AS_PATH:
4      10.2.2.2/32    10.0.0.0      0           100         0      I
      AS_PATH:

```

Syntax: show ip bgp l2vpn vpls routes

**TABLE 150** Output for the show ip bgp l2vpn vpls routes command

This field...	Displays
Total number of BGP Routes	The number of BGP4 routes the Brocade device has installed in the BGP4 route table.
Status	<p>A list of the characters the display uses to indicate the route's status. The status code appears in the last column of the display, to the right of each route. The route's status can be one or more of the following:</p> <ul style="list-style-type: none"> <li>• A: AGGREGATE – The route is an aggregate route for multiple networks.</li> <li>• B: BEST – BGP4 has determined that this is the optimal route to the destination.</li> <li>• b NOT-INSTALLED-BEST – The routes received from the neighbor are the best BGP4 routes to their destinations, but were nonetheless not installed in the IP route table because the Brocade device received better routes from other sources (such as OSPF, RIP, or static IP routes).</li> <li>• C: CONFED_EBGP – The route was learned from a neighbor in the same confederation and AS, but in a different sub-AS within the confederation.</li> <li>• D: DAMPED – This route has been dampened (by the route dampening feature), and is currently unusable.</li> <li>• E: EBGP – The route was learned from another AS BGP neighbor.</li> <li>• F: FILTERED – The route was filtered from the BGP route table.</li> <li>• H: HISTORY – Route dampening is configured for this route, and the route has a history of flapping and is unreachable now.</li> <li>• I: IBGP – The route was learned from the same AS BGP neighbor.</li> <li>• L: LOCAL – The route originated on this Brocade device.</li> <li>• M: MULTIPATH – BGP4 load sharing is enabled and this route was selected as one of the best ones to the destination. The best route among the multiple paths also is marked with "B".</li> <li>• m: NOT-INSTALLED-MULTIPATH – The software was not able to install the route in the IP route table.</li> <li>• S: SUPPRESSED – This route was suppressed during aggregation and thus is not advertised to neighbors.</li> <li>• s: STALE – This is a stale route and is cleaned up.</li> </ul>
Route Distinguisher	<p>A unique ID that is prepended on any address being routed or advertised from a Virtual Routing and Forwarding (VRF) instance. The RD can be defined as either ASN-relative or IP address-relative as described:</p> <ul style="list-style-type: none"> <li>• ASN-relative - Composed of the local ASN number followed by a ":" (colon) and a unique arbitrary number. For example: 3:6</li> <li>• IP address-relative - Composed of the local IP address followed by a ":" (colon) and a unique arbitrary number.</li> </ul>
Prefix	The IP address and network mask of the destination network of the route.
AS_PATH	The BGP AS_PATH path attribute.
Next Hop	The IP address of the next-hop router.
Metric	The cost of this route.
LocPrf	The degree of preference for this route relative to other routes in the local AS. When the BGP4+ algorithm compares routes on the basis of local preferences, the route with the higher local preference is chosen. The preference can have a value from 0 – 4294967295.

**TABLE 150** Output for the show ip bgp l2vpn vpls routes command (Continued)

This field...	Displays
Weight	The value that this route associates with routes from a specific neighbor. For example, when the Brocade device receives routes to the same destination from two BGP4 neighbors, the device prefers the route from the neighbor with the larger weight.
Status	The route's status. Refer to "Status" on page 787.

## Viewing a summary of BGP neighbor status

Use the show ip bgp l2vpn vpls summary command to view BGP4 summary information.

```

Brocade1# show ip bgp l2vpn vpls summary
  BGP4 Summary
  Router ID: 10.1.1.1   Local AS Number: 10
  Confederation Identifier: not configured
  Confederation Peers:
  Maximum Number of IP ECMP Paths Supported for Load Sharing: 1
  Number of Neighbors Configured: 1, UP: 1
  Number of Routes Installed: 4, Uses 344 bytes
  Number of Routes Advertising to All Neighbors: 2, Uses 88 bytes
  Number of Attribute Entries Installed: 4, Uses 376 bytes
  Neighbor Address  AS#      State   Time      Rt:Accepted  Filtered  Sent      ToSend
  10.1.1.2         10      ESTAB  0h 7m21s  2            0         2         0

```

Syntax: show ip bgp l2vpn vpls summary

**TABLE 151** Output for the show ip bgp l2vpn vpls summary command

This field...	Displays
Router ID	The Brocade device's router ID.
Local AS Number	The BGP4 AS number to which the Brocade device belongs.
Confederation Identifier	The AS number of the confederation to which the Brocade device belongs.
Confederation Peers	The numbers of the local ASs contained in the confederation. This list matches the confederation peer list the user configures on the Brocade device.
Maximum Number of IP ECMP Paths Supported for Load Sharing	The maximum number of route paths across which the device can balance traffic to the same destination.
Number of Neighbors Configured	The number of BGP4 neighbors configured on this Brocade device, and currently in established state.
Number of Routes Installed	The number of BGP4 routes in the Brocade device's BGP4 route table and the route or path memory usage.
Number of Routes Advertising to All Neighbors	The total of the RtSent and RtToSend columns for all neighbors and the amount of memory used by these routes.
Number of Attribute Entries Installed	The number of BGP4 route-attribute entries in the device's route-attributes table and the amount of memory used by these entries.
Neighbor Address	The IP addresses of this device's BGP4 neighbors.

**TABLE 151** Output for the show ip bgp l2vpn vpls summary command (Continued)

This field...	Displays
AS#	The AS number.
State	Refer to “State” on page 781.mmd.
Time	The time that has passed since the state last changed.
Rt: Accepted	The number of routes received from the neighbor that this device installed in the BGP4 route table. Usually, this number is lower than the RoutesRcvd number. The difference indicates that this device filtered out some of the routes received in the UPDATE messages.
Filtered	The routes or prefixes that have been filtered out: <ul style="list-style-type: none"> <li>• When soft reconfiguration is enabled, this field shows how many routes were filtered out (not placed in the BGP4 route table) but retained in memory.</li> <li>• When soft reconfiguration is not enabled, this field shows the number of BGP4 routes that have been filtered out.</li> </ul>
Sent	The number of BGP4 routes that the Brocade device has sent to the neighbor.
ToSend	The number of routes the Brocade device has queued to send to this neighbor.

## Displaying information about VPLS auto-discovery and load balancing

The show mpls vpls name command has changed. The total VC labels allocated field is no longer displayed in the output of the show mpls vpls name command.

To display detailed information about a specified VPLS name, enter the following command.

```
Brocade# show mpls vpls name c1
VPLS c1, Id 10, Max mac entries: 8192
Total vlans: 0, Tagged ports: 0 (0 Up), Untagged ports 0 (0 Up)
Total VPLS peers: 1 (0 Operational)
auto-discovery enabled, RD 10:10
export RT 10:10
import RT 10:10
Peer address: 10.2.2.2 (auto-discovered), State: Wait for functional local ports
Tnml in use: (load balance): None
LDP session: Up, Local VC lbl: 983040, Remote VC lbl: N/A
Local VC MTU: 1500, Remote VC MTU: 0
CPU-Protection: OFF
Local Switching: Enabled
```

Syntax: show mpls vpls name *name*

**TABLE 152** Output for the show mpls vpls name command

This field...	Displays
VPLS	The configured name of the VPLS instance.
Id	The VCID of this VPLS instance.

**TABLE 152** Output for the show mpls vpls name command (Continued)

This field...	Displays
Max mac entries	The maximum number of MAC address entries that can be learned for this VPLS instance. This is a soft limit only and can be exceeded when there is space available in the VPLS MAC database.
Total VLANs	The number of VLANs that are translated for this VPLS instance.
Tagged ports	The total number of tagged ports that are associated with VLANs in this VPLS instance, as well as the number of these ports that are up.
Untagged ports	The total number of untagged ports that are associated with VLANs in this VPLS instance, as well as the number of these ports that are up.
Total VPLS peers	The number of VPLS peers this device has for this VPLS instance, as well as the number of these VPLS peers with which this device has an LDP session.
auto-discovery enabled	Indicates that VPLS auto-discovery is enabled for this VPLS instance.
RD	The Route Distinguisher assigned to the VPLS instance.
export RT	The export route for the VPLS instance.
import RT	The import route for the VPLS instance.
Peer address	The IP address of the VPLS peer. When VPLS auto-discovery is enabled for the VPLS instance, "(auto-discovered)" appears after the IP address.
State	<p>The current state of the connection with the VPLS peer. The VC label allocation is now managed by MPLS. This can be one of the following:</p> <ul style="list-style-type: none"> <li>Operational – The VPLS instance is operational. Packets can flow between the device and the peer.</li> <li>Wait for functional local ports – The physical endpoint port that must be connected to the Customer Edge device is down due to a link outage or is administratively disabled.</li> <li>Wait for LSP tunnel to Peer – Cannot find a working tunnel LSP.</li> <li>Wait for LDP session to Peer – The LDP session is not yet ready.</li> <li>Wait for PW Up (Wait for remote VC label)– The device has advertised its VC label binding to the VPLS peer, but has not yet received the peer's VC label binding.</li> <li>Wait for PW Up (VC type mismatched) – A session is not formed because the VC type does not match with its peer's VC type.</li> <li>Wait for PW Up (MTU mismatched) – A session is not formed and this message displays. The MTU sent to a peer is derived from the device's global setting by the following formula: (system-mtu minus 26 bytes). When a system-mtu value is not configured, a default value of 1500 is sent.</li> <li>Wait for PW Up (Wait for LDP session to Peer) - The LDP session to the peer is down.</li> <li>Wait for PW Up (No Label Resource) - When configuring a new VPLS peer, the maximum amount of VC labels that can be supported may exceed 64K, and cause the configuration to be rejected. The maximum amount of VC labels available for VPLS instances is equal to 64K.</li> </ul>
Tnnls in use	<p>The tunnel LSP used to reach the VPLS peer.</p> <p>When VPLS traffic to the peer is load balanced across multiple tunnel LSPs, the tunnel LSPs used to reach the peer are displayed.</p> <p>When load balancing for auto-discovered VPLS peers is enabled for the VPLS instance, "(load balance)" also appears in this line.</p>
LDP session	The state of the LDP session between this device and the VPLS peer.

**TABLE 152** Output for the show mpls vpls name command (Continued)

This field...	Displays
Local VC lbl	The VC label value locally allocated for this peer for this VPLS instance. Packets forwarded from the VPLS peer to this device are expected to contain this label. This is the label that is advertised to the VPLS peer through LDP.
Remote VC lbl	The VC label allocated by the VPLS peer and advertised to this device through LDP. The device applies this label to outbound MPLS packets sent to the VPLS peer.
Local VC MTU	The MTU value locally configured for this peer.
Remote VC MTU	The MTU value configured for the remove VPLS peer.
CPU-protection	Indicates whether CPU protection is enabled (ON) or disabled (OFF) for this VPLS instance.
Local Switching	Indicates whether local switching is enabled or disabled for this VPLS instance.

## Displaying information about LDP

To display information about LDP, including the router ID and loopback interface in use, enter the show mpls ldp command.

```
Brocade(config)# show mpls ldp
Label Distribution Protocol version 1
  LSR ID: 10.2.2.2, using Loopback 1 (deleting it will stop LDP)
  Hello interval: Link 5 sec, Targeted 15 sec
  Hold time value sent in Hellos: Link 15 sec, Targeted 45 sec
  Keepalive interval: 6 sec, Hold time multiple: 6 intervals
```

Field definitions for the show mpls ldp command are in the section [“Displaying LDP information”](#) on page 400.

Syntax: show mpls ldp

## VPLS LSP Load Balancing

### Glossary

TABLE 153 Glossary of terms

Term	Meaning
MAC	Media Access Control
LSP	Label Switched Path
VPLS	Virtual Private LAN Service

### Feature overview

This functional specification documents the VPLS LSP load balancing which is to be incremented from four LSPs to eight LSPs in the NetIron R05.600 for the XMR/MLX product lines.

Prior to NetIron R05.600, VPLS LSP load balancing is done with a maximum of four LSPs. This is increased to eight LSPs after this feature.

### Limitations and prerequisites

An existing limitation is that the hashing technique to load balance is not consistent.

For example,

The following unique MAC addresses /unique VLANs still cause traffic forwarding NOT distributed across all maximum 8 x LSPs.

IXIA PORT 1: SMAC = 00-00-00-11-00-xx where xx = 1, 2, 3, 4, 5, 6, 7, 8  
 VLAN = 10yy where yy = 10, 11, 12, 13, 14, 15, 16, 17

IXIA PORT 2: SMAC = 00-00-00-22-00-xx where xx = 1, 2, 3, 4, 5, 6, 7, 8  
 VLAN = 10yy where yy = 10, 11, 12, 13, 14, 15, 16, 17

or

IXIA P1: SMAC = 00-00-00-12-00-xx where xx = 1, 2, 3, 4, 5, 6, 7, 8  
 VLAN = 10yy where yy = 10, 11, 12, 13, 14, 15, 16, 17

IXIA P2: SMAC = 00-00-00-13-00-xx where xx = 1, 2, 3, 4, 5, 6, 7, 8  
 VLAN = 10yy where yy = 10, 11, 12, 13, 14, 15, 16, 17

or

IXIA P1: SMAC = 00-00-00-3c-01-xx where xx = 1, 2, 3, 4, 5, 6, 7, 8  
 VLAN = 10yy where yy = 10, 11, 12, 13, 14, 15, 16, 17

IXIA P2: SMAC = 00-00-00-3d-01-xx where xx = 1, 2, 3, 4, 5, 6, 7, 8  
 VLAN = 10yy where yy = 10, 11, 12, 13, 14, 15, 16, 17



BUT the following unique mac addresses /unique VLANs are working:

IXIA P1: SMAC = 00-00-00-03-01-xx where xx = 1, 2, 3, 4, 5, 6, 7, 8  
VLAN = 10yy where yy = 10, 11, 12, 13, 14, 15, 16, 17

IXIA P2: SMAC = 00-00-00-03-02-xx where xx = 1, 2, 3, 4, 5, 6, 7, 8  
VLAN = 10yy where yy = 10, 11, 12, 13, 14, 15, 16, 17

or

IXIA P1: SMAC = 00-00-00-03-12-xx where xx = 1, 2, 3, 4, 5, 6, 7, 8  
VLAN = 10yy where yy = 10, 11, 12, 13, 14, 15, 16, 17

IXIA P2: SMAC = 00-00-00-03-13-xx where xx = 1, 2, 3, 4, 5, 6, 7, 8  
VLAN = 10yy where yy = 10, 11, 12, 13, 14, 15, 16, 17

## Existing features affected by this feature

Prior to NetIron Release R05.600, VPLS LSP load balancing is done with maximum 4 LSPs. This is increased to eight LSPs after this feature.

In CES/CER, you would be able to assign up to 8 LSP to a VPLS peer but at any time only one of them is chosen for all traffic forwarding for this VPLS peer because load balancing is not supported in CES/CER.

## Assumptions and dependencies

The hashing decision has not changed for this feature support. It is based on the fields in each packet received.

VPLS can use both LDP and RSVP tunnels for load balancing as long as they all matched the COS criteria. A tunnel reachable to a peer with the right COS value is all that is required to be used as a candidate for VPLS tunnel load balancing. No preferences over a particular type of tunnels dependencies.

## VPLS LSP load balancing configuration scenarios

### Load balance with dynamic LSP selection

Configuration in Ingress router

```
Brocade(config)# router mpls
Brocade(config-mpls)# policy
Brocade(config-mpls-policy)# cspf-interface-constraint
```

```
Brocade(config-mpls)# path ve100
Brocade(config-mpls-path-ve100)# strict 10.19.2.3
```

```

Brocade(config-mpls)# path ve100
Brocade(config-mpls-path-ve100)# strict 10.19.3.2

Brocade(config-mpls)# mpls-interface ve 100

Brocade(config-mpls)# mpls-interface ve 10

Brocade(config-mpls)# lsp lsp1
Brocade(config-mpls-lsp-lsp1)# to 10.19.19.19
Brocade(config-mpls-lsp-lsp1)# primary ve100
Brocade(config-mpls-lsp-lsp1)# enable

Brocade(config-mpls)# lsp lsp2
Brocade(config-mpls-lsp-lsp2)# 10.19.19.19
Brocade(config-mpls-lsp-lsp2)# primary ve10
Brocade(config-mpls-lsp-lsp2)# enable

Brocade(config-mpls)# vpls v1 100
Brocade(config-mpls-vpls-v1-100)# vpls-peer 10.19.19.19 load-balance
Brocade(config-mpls-vpls-v1-100)# vlan 10
Brocade(config-mpls-vpls-v1-100-vlan-10)# tagged ethe 4/17
Brocade(config-mpls-vpls-v1-100)# vlan 100
Brocade(config-mpls-vpls-v1-100-vlan-100)# tagged ethe 4/1

```

#### Configuration in Egress router

```

Brocade(config)# router mpls
Brocade(config-mpls)# policy
Brocade(config-mpls-policy)# cspf-interface-constraint

Brocade(config-mpls)# path ve100
Brocade(config-mpls-path-ve100)# strict 19.19.2.2

Brocade(config-mpls)# path ve10
Brocade(config-mpls-path-ve10)# strict 19.19.3.1

Brocade(config-mpls)# mpls-interface ve 100

Brocade(config-mpls)# mpls-interface ve 10

Brocade(config-mpls)# lsp lsp1
Brocade(config-mpls-lsp-lsp1)# to 18.18.18.18
Brocade(config-mpls-lsp-lsp1)# primary ve100
Brocade(config-mpls-lsp-lsp1)# enable

Brocade(config-mpls)# lsp lsp2
Brocade(config-mpls-lsp-lsp2)# to 18.18.18.18
Brocade(config-mpls-lsp-lsp2)# primary ve10
Brocade(config-mpls-lsp-lsp2)# enable

Brocade(config-mpls)# vpls v1 100
Brocade(config-mpls-vpls-v1-100)# vpls-peer 18.18.18.18 load-balance
Brocade(config-mpls-vpls-v1-100)# vlan 10
Brocade(config-mpls-vpls-v1-100-vlan-10)# tagged ethe 4/17
Brocade(config-mpls-vpls-v1-100)# vlan 100
Brocade(config-mpls-vpls-v1-100-vlan-100)# tagged ethe 4/1

```

## Load balance with manual LSP Assignment

### Configuration on the Ingress router

```
Brocade(config)# router mpls
Brocade(config-mpls)# policy
Brocade(config-mpls-policy)# cspf-interface-constraint

Brocade(config-mpls)# path ve5
Brocade(config-mpls-path-ve5)# strict 10.19.2.3

Brocade(config-mpls)# path ve10
Brocade(config-mpls-path-ve10)# strict 10.19.3.2

Brocade(config-mpls)# mpls-interface ve5

Brocade(config-mpls)# mpls-interface ve10

Brocade(config-mpls)# lsp lsp1
Brocade(config-mpls-lsp-lsp1)# to 10.19.19.19
Brocade(config-mpls-lsp-lsp1)# primary ve10
Brocade(config-mpls-lsp-lsp1)# enable

Brocade(config-mpls)# lsp lsp2
Brocade(config-mpls-lsp-lsp2)# to 10.19.19.19
Brocade(config-mpls-lsp-lsp2)# primary ve10
Brocade(config-mpls-lsp-lsp2)# enable

Brocade(config-mpls)# vpls v1 100
Brocade(config-mpls-vpls-v1-100)# vpls-peer 10.19.19.19 load-balance lsp lsp1 lsp2
Brocade(config-mpls-vpls-v1-100)# vlan 10
Brocade(config-mpls-vpls-v1-100-vlan-10)# tagged ethe 4/17
Brocade(config-mpls-vpls-v1-100)# vlan 100
Brocade(config-mpls-vpls-v1-100-vlan-100)# tagged ethe 4/1
```

### Configuration in Egress router

```
Brocade(config)# router mpls
Brocade(config-mpls)# policy
Brocade(config-mpls-policy)# cspf-interface-constraint

Brocade(config-mpls)# path ve5
Brocade(config-mpls-path-ve5)# strict 10.19.2.2

Brocade(config-mpls)# path ve10
Brocade(config-mpls-path-ve10)# strict 10.19.3.1

Brocade(config-mpls)# mpls-interface ve5

Brocade(config-mpls)# mpls-interfave ve10

Brocade(config-mpls)# lsp lsp1
Brocade(config-mpls-lsp-lsp1)# to 10.18.18.18
Brocade(config-mpls-lsp-lsp1)# primary ve5
Brocade(config-mpls-lsp-lsp1)# enable

Brocade(config-mpls)# lsp lsp2
Brocade(config-mpls-lsp-lsp2)# to 10.18.18.18
Brocade(config-mpls-lsp-lsp2)# primary ve10
Brocade(config-mpls-lsp-lsp2)# enable
```

## 8 Commands

```
Brocade(config-mpls)# v1 v100
Brocade(config-mpls-v1-v100)# vpls-peer 10.18.18.18 load-balance lsp lsp1 lsp2
Brocade(config-mpls-v1-v100)# vlan 10
Brocade(config-mpls-v1-v100-vlan-10)# tagged ethe 4/17
Brocade(config-mpls-v1-v100)# vlan 100
Brocade(config-mpls-v1-v100-vlan-100)# tagged ethe 4/1
```

## Commands

The following command supports the features described in this chapter:

- [show mpls vpls detail](#)

## show mpls vpls detail

VPLS Manual LSP assignment for a peer can now accept maximum of eight LSPs instead of four LSPs.

The show mpls vpls detail command output shows all the tunnels (max eight) used.

Syntax	show mpls vpls detail
Parameters	None
Modes	Global configuration mode.

Command output The show mpls vpls detail command displays the following information.

Output field	Description
VPLS	The configured name of the VPLS instance.
ID Max mac entries	The ID of this VPLS instance.
Total vlans	The number of VLANs that are translated for this VPLS instance.
Tagged ports	The total number of tagged ports that are associated with VLANs in this VPLS instance, as well as the number of these ports that are up.
Untagged ports	The total number of untagged ports that are associated with VLANs in this VPLS instance, as well as the number of these ports that are up.
IFL-ID	The Internal Forwarding Lookup Identifier (IFL-ID) for dual-tagged ports in the VPLS instance.
VC-Mode	The VC mode for the VPLS instance: <ul style="list-style-type: none"> <li>• Raw – The VLAN tag information in the original payload is not carried across the MPLS cloud</li> <li>• Tagged – The VLAN tag information in the original payload is carried across the MPLS cloud</li> <li>• Raw-pass-through -The VLAN tag information behaves like tagged mode when all endpoints are configured as tagged endpoints</li> </ul>
CPU-Protection	Whether CPU protection configured on this VPLS instance is ON or OFF. On Brocade NetIron XMR and Brocade MLX series devices only: When CPU protection is enabled on this VPLS instance but is temporarily unavailable due to 100% multicast FID usage, this field includes the message shown above.
Local Switching	Whether local switching behavior on a per-VPLS basis is enabled or disabled.
Extended Counter	Indicates whether or not the extended counter is enabled for the configured VPLS.
Multicast Snooping	Indicates whether the multicast snooping is enabled or disabled.

Examples

```

Brocade# show mpls vpls detail
VPLS v2, Id 200, Max mac entries: 2048
Total vlans: 2, Tagged ports: 2 (2 Up), Untagged ports 0 (0 Up)
IFL-ID: n/a
Vlan 10
  L2 Protocol: NONE
  Tagged: ethe 2/19
Vlan 20
  L2 Protocol: NONE
  Tagged: ethe 2/20

```

## 8 show mpls vpls detail

```

VC-Mode: Raw
Total VPLS peers: 1 (1 Operational)
Peer address: 19.19.19.19, State: Operational, Uptime: 1 min
  Tnnls in use (load balance): Candidate count:8 (only 1st 8 is displayed):
    tnl3(3)[RSVP] tnl5(3)[RSVP] tnl0(3)[RSVP] tnl7(3)[RSVP] tnl2(3)[RSVP]
  tnl4(3)[RSVP] tnl1(3)[RSVP] tnl6(3)[RSVP]      Peer Index:0
  Local VC lbl: 983040, Remote VC lbl: 983040
  Local VC MTU: 1500, Remote VC MTU: 1500
  Local VC-Type: Ethernet(0x05), Remote VC-Type: Ethernet(0x05)
  CPU-Protection: OFF
  Local Switching: Enabled
  Extended Counter: ON
  Multicast Snooping: Disabled

```

CAM2PRAM format is defined below:

**TABLE 154** CAM2PRAM data format

CAM2PRAM Data Format				
BITS[31:25]	Bit[24]	Bit [23]	Bits[22:19]	Bits[18:0]
Reserved	ECMP_MASK[4]	LOCAL ADDRESS (Used for DA-MAC Aging)	ECMP_MASK[3:0]	PRAM_INDEX_BASE[18:0]

```

Brocade# show cam l2vpn 2/19 0000.00b0.00b0
Slot Index MAC          Age Port  IFL/  VC Label Out Port Remote DA/  PRAM
      (Hex)                Age Port  VLAN   N/A      2/15   0    DA  (Hex)
2   9f9df 0000.00b0.00b0  0    2/20  20    N/A      2/15   0    DA  0033e
2   9fb38 0000.00b0.00b0  2    N/A   N/A    983040  Drop   1    SA  003d7

Brocade# dm cam me/15 0x9f9df
(CAM 0x9f9df): data 0072-00140000-00b000b0 mask ffff-ffffff-ffffff Valid
(Shadow CAM): data 0072-00140000-00b000b0 mask ffff-ffffff-ffffff
(Access):      device 2, block 7, block index 0x000039df
(Flags):       VALID 1 INUSE(1, 0) RESTORING(0, 0) AGING(1, 0) AGE COUNT(0, 0)
(CAM2PRAM entry 0x13f3be): 0038033e
(CAM2PRAM entry 0x13f3bf [MAC SA or Right IP]): 00380001

```

For the above case, the value of 0038033e indicates an ECMP mask of seven (eight tunnels). The ECMP value should always be one less than the actual number of tunnels.

### History

Release	Command history
NetIron R05.600	VPLS Manual LSP assignment for a peer can now accept maximum of eight LSPs instead of four LSPs. The command output shows all the tunnels (max eight) used.

Related commands: None

# IPv6 Provider Edge Router over MPLS

Table 155 displays the individual devices and whether or not the IPv6 over MPLS feature is supported.

**TABLE 155** Supported IPv6 over MPLS feature

Features supported	Brocade NetIron XMR Series	Brocade MLX Series	Brocade NetIron CES 2000 SeriesBASE package	Brocade NetIron CES 2000 Series ME_PREM package	Brocade NetIron CES 2000 Series L3_PREM package	Brocade NetIron CER 2000 Series BASE package	Brocade NetIron CER 2000 Series Advanced Services package
IPv6 Provider Edge Router (6PE)	Yes	Yes	No	<sup>a</sup> Yes	<sup>a</sup> Yes	No	Yes
6VPE routing	Yes	Yes	No	<sup>a</sup> Yes	<sup>a</sup> Yes	No	Yes

a. On the Brocade NetIron CES 2000 Series, both the ME\_PREM and L3\_PREM licenses are required to support the IPv6 Provider Edge Router (6PE).

## NOTE

MPLS cannot be configured on the system globally when a NI-MLX-10Gx8-D card is installed.

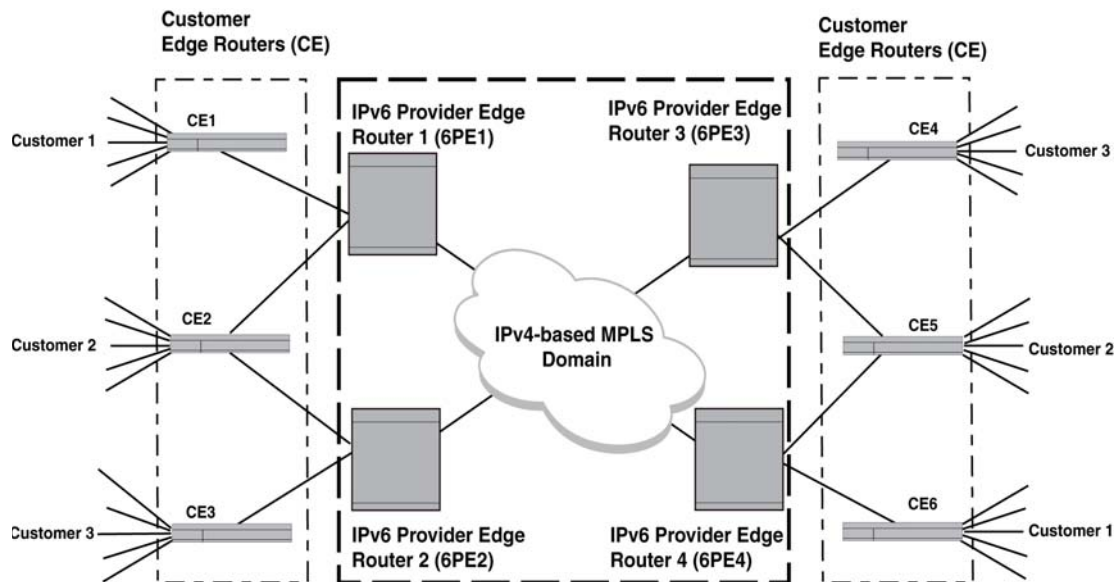
## 6PE over MPLS

IPv6 Provider Edge Router (6PE) over Multi-Protocol Label Switching (MPLS) enables propagation of IPv6 routes across an IPv4-based MPLS network by connecting the 6PE routers with the existing IPv4-based MPLS infrastructure, as described in RFC 4798. The 6PE router can be an existing Provider Edge (PE) router or a new PE router dedicated to IPv6 traffic. The 6PE routers run dual stack IPv4 and IPv6. The 6PE router utilizes the existing MPLS cloud to forward IPv6 traffic from the Customer Edge (CE) routers, based on the labels assigned for each IPv6 packet received from the CE routers.

### 6PE over MPLS architecture

Figure 92 outlines the 6PE over MPLS architecture. The CE1 to CE6 routers are either IPv4 or IPv6. The 6PE1 to 6PE4 routers run dual stack IPv4 and IPv6. The CE router provides connectivity with a customer's network and a 6PE router. The CE router advertises IPv6 reachability information from the customer's network using IPv6 static routes, Routing Information Protocol - next generation (RIPng), Intermediate System to Intermediate System routing protocol support for IPv6 (IS-ISv6), or Open Shortest Path First version 3 (OSPFv3) routing protocol. The 6PE router provides connectivity with the CE router and with the MPLS domain. The 6PE router communicates with other 6PE routers using Multi-protocol Border Gateway Protocol (MP-BGP). The outbound packets from a customer's network are forwarded from the CE router to the 6PE router, and the inbound packets are forwarded from the 6PE router to the CE router attached to the customer's network.

FIGURE 92 6PE over MPLS



## 6PE over MPLS operation

The 6PE router forwards IPv6 traffic between remote sites of a customer's network using the existing IPv4-signaled Label Switched Path (LSP).

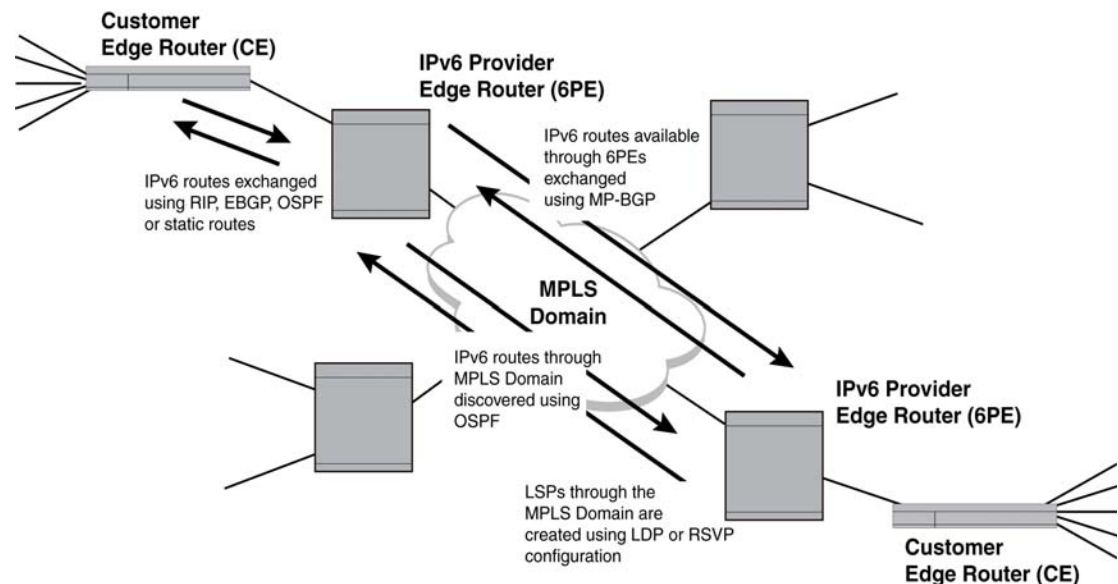
## Creating routes in an MPLS domain

Figure 93 describes how the IPv6 routes are created in an MPLS domain. A CE router maintains the connection to the customer's network and is configured within the network to send or receive IPv6 packets. The IPv6 routes that are available through the CE router are then made available to the 6PE router using RIPng, OSPFv3, Exterior Border Gateway Protocol (EBGP), IS-ISv6, or a static route.

The 6PE router connected to the MPLS domain through one or more interfaces advertises the available IPv6 routes across the MPLS domain to other 6PE routers using MP-BGP. OSPF is used as the Interior Gateway Protocol (IGP) within the MPLS domain to provide connectivity. The 6PE router obtains an LSP required to switch traffic to the other 6PE routers using the Label Distribution Protocol (LDP) and Resource Reservation Protocol (RSVP). The network is now populated with all the IPv6 routes required to forward IPv6 packets between the customer's networks.



FIGURE 93 MPLS route discovery



### Routing an IPv6 packet through an MPLS domain

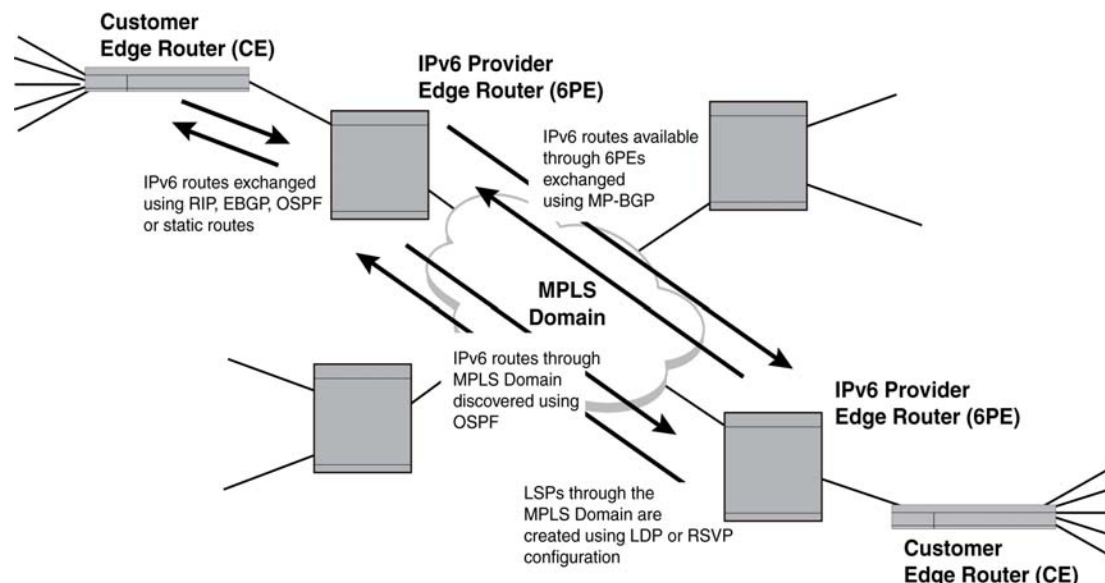
The following steps describe how an IPv6 packet is routed through an existing MPLS domain.

1. The 6PE router receives the IPv6 packets from the CE router.
2. The 6PE router assigns labels to all the received IPv6 packets.
3. The 6PE router exchanges the IPv6 packets along with the labels with the other 6PE routers.
4. The 6PE router transports the IPv6 packets from the CE router using the existing IPv4 LSPs.

Figure 94 describes how an IPv6 packet is forwarded from CE1 to CE2 through the MPLS domain. When an ingress 6PE router (6PE-I) receives the IPv6 packet from CE1, the 6PE-I assigns an inner label containing IPv4-mapped IPv6 BGP next-hop information, and an outer label containing the IPv4 address corresponding to the IPv4-mapped IPv6 address to the received IPv6 packet.

The egress 6PE router (6PE-E) advertises the IPv6 reachability information to the 6PE-I by distributing the inner label using the MP-BGP. The 6PE-I obtains an LSP to switch the IPv6 packet to the 6PE-E using LDP or RSVP. The packet is then forwarded through the MPLS domain and is switched using the labels. At the penultimate device in the LSP, the outer label is removed and the packet is forwarded to the 6PE-E. The 6PE-E uses the inner label to identify the destination router (CE2) to which the packet must be forwarded. The 6PE-E removes the inner label and forwards the packet to the CE2.

FIGURE 94 Routing an IPv6 packet through the MPLS domain



## 6PE limitations

6PE has the following limitations:

- 6PE supports only IPv6 unicast forwarding
- 6PE is supported only in the default VRF
- 6PE does not support GREv6 over v4 tunnel

---

### NOTE

Do not forward packets from one type of tunnel to another type of tunnel in XPP. Packets may not be routed properly.

---

## Configuring 6PE

The user must first configure BGP and MPLS to enable 6PE route propagation. To configure 6PE, the user must enable IPv6 unicast capability and IPv6 label capability for the IPv4 peers. Enter the following commands under the router `bgp` level to configure 6PE.

```
Brocade(config)# router bgp
Brocade(config-bgp)# address-family ipv6 unicast
```

```
Brocade(config-bgp-ipv6u)# neighbor 10.30.30.1 activate
Brocade(config-bgp-ipv6u)# neighbor 10.30.30.1 send-label
```

Syntax: [no] neighbor *IPv4 address* activate

The *IPv4 address* parameter specifies the IP address of the remote neighbor.

The activate keyword enables IPv6 unicast capability for the IPv4 peers.

The [no] option is used to turn off the IPv6 unicast capability that has been enabled previously for the IPv4 peers.

Syntax: [no] neighbor *IPv4 address* send-label

The *IPv4 address* parameter specifies the IP address of the remote neighbor.

The send-label keyword enables IPv6 label capability for the IPv4 peers.

The [no] option is used to turn off the IPv6 label capability that has been enabled previously for the IPv4 peers.

---

**NOTE**

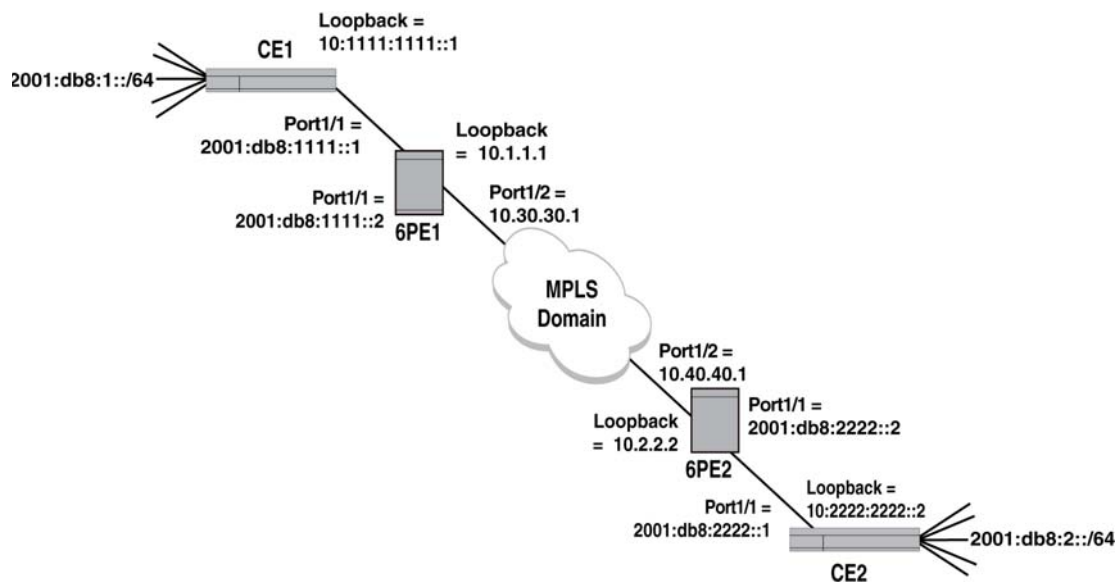
The user must clear BGP neighbor in order to enable IPv6 unicast capability and IPv6 label capability for the IPv4 peers.

---

## Configuration example to deploy 6PE

In the example shown in [Figure 95](#), the network is configured to use EBGp to forward routes between the networks attached to the CE routers and the 6PE routers. MP-BGP is used to forward routes between the 6PE routers, and an LSP tunnel is configured across the MPLS domain. The configurations are shown for only the CE1, CE2, 6PE1, and 6PE2 routers to enable propagation of IPv6 packets from CE1 to CE2 through the MPLS domain.

FIGURE 95 Deploying 6PE



## CE1 configuration

This configuration example describes the operational requirements for the CE1 router. EBGP is configured between the CE1 and 6PE1 routers, and the connected route is redistributed through this connection.

```
CE1(config)# interface loopback 1
CE1(config-lbif-1)# ipv6 address 2001:db8:1111::1/128
CE1(config-lbif-1)# exit

CE1(config)# interface ethernet 1/1
CE1(config-if-e10000-1/1)# ipv6 address 2001:db8:1111::1/64
CE1(config-if-e10000-1/1)# exit

CE1(config)# router bgp
CE1(config-bgp)# local-as 2
CE1(config-bgp)# address-family ipv6 unicast
CE1(config-bgp-ipv6u)# neighbor 2001:db8:1111::2 remote-as 1
CE1(config-bgp-ipv6u)# redistribute connected
CE1(config-bgp-ipv6u)# exit
```

## 6PE1 configuration

This configuration example describes the operational requirements for the 6PE1 router. The 6PE and the MPLS tunnel are configured between the 6PE1 and 6PE2 routers.

```
6PE1(config)# interface ethernet 1/1
6PE1(config-if-e10000-1/1)# ipv6 address 2001:db8:1111::2/64
6PE1(config-if-e10000-1/1)# exit

6PE1(config)# interface ethernet 1/2
6PE1(config-if-e10000-1/2)# ip address 10.30.30.1/24
```

```

6PE1(config-if-e10000-1/2)# exit

6PE1(config)# router bgp
6PE1(config-bgp)# local-as 1
6PE1(config-bgp)# neighbor 10.40.40.1 remote-as 1
6PE1(config-bgp)# address-family ipv6 unicast
6PE1(config-bgp-ipv6u)# neighbor 2001:db8:1111::1 remote-as 2
6PE1(config-bgp-ipv6u)# neighbor 10.40.40.1 activate
6PE1(config-bgp-ipv6u)# neighbor 10.40.40.1 send-label
6PE1(config-bgp-ipv6u)# exit

6PE1(config)# router mpls
6PE1(config-mpls)# mpls-interface ethernet 1/2
6PE1(config-mpls)# lsp tunnel1
6PE1(config-mpls-lsp-tunnel1)# to 10.40.40.1
6PE1(config-mpls-lsp-tunnel1)# from 10.30.30.1
6PE1(config-mpls-lsp-tunnel1)# enable
6PE1(config-mpls-lsp-tunnel1)# exit

```

## 6PE2 configuration

This configuration example describes the operational requirements for the 6PE2 router. The 6PE and the MPLS tunnel are configured between the 6PE2 and 6PE1 routers.

```

6PE2(config)# interface ethernet 1/1
6PE2(config-if-e10000-1/1)# ipv6 address 2001:db8:2222::2/64
6PE2(config-if-e10000-1/1)# exit

6PE2(config)#interface ethernet 1/2
6PE2(config-if-e10000-1/2)# ip address 10.40.40.1/24
6PE2(config-if-e10000-1/2)# exit

6PE2(config)# router bgp
6PE2(config-bgp)# local-as 1
6PE2(config-bgp)# neighbor 10.30.30.1 remote-as 1
6PE2(config-bgp)# address-family ipv6 unicast
6PE2(config-bgp-ipv6u)# neighbor 2001:db8:2222::1 remote-as 3
6PE2(config-bgp-ipv6u)# neighbor 10.30.30.1 activate
6PE2(config-bgp-ipv6u)# neighbor 10.30.30.1 send-label
6PE2(config-bgp-ipv6u)# exit

6PE2(config)# router mpls
6PE2(config-mpls)# mpls-interface ethernet 1/2
6PE2(config-mpls)# lsp tunnel1
6PE2(config-mpls-lsp-tunnel1)# to 10.30.30.1
6PE2(config-mpls-lsp-tunnel1)# from 10.40.40.1
6PE2(config-mpls-lsp-tunnel1)# enable
6PE2(config-mpls-lsp-tunnel1)# exit

```

## CE2 configuration

This configuration example describes the operational requirements for the CE2 router. EBGP is configured between the CE2 and 6PE2 routers, and the connected route is redistributed through this connection.

```

CE2(config)# interface loopback 1
CE2(config-lbif-1)# ipv6 address 2001:db8:2222::2/128

```

```

CE2(config-lbif-1)# exit

CE2(config)# interface ethernet 1/1
CE2(config-if-e10000-1/1)# ipv6 address 2001:db8:2222::1/64
CE2(config-if-e10000-1/1)# exit

CE2(config)# router bgp
CE2(config)# local-as 3
CE2(config-bgp)# address-family ipv6 unicast
CE2(config-bgp-ipv6u)# neighbor 2001:db8:2222::2 remote-as 1
CE2(config-bgp-ipv6u)# redistribute connected
CE2(config-bgp-ipv6u)# exit

```

## Displaying 6PE information

The user can display the following information about the 6PE configuration on the device:

- 6PE neighbors information
- Error information for 6PE neighbors
- Routes summary information for 6PE neighbors
- 6PE summary information
- 6PE packet count information

### Displaying the 6PE neighbors information

Issue the `show ip bgp 6pe neighbors` command to display the 6PE neighbor information. For example, to display the 6PE neighbor information for the configuration in [Figure 95](#), enter the following command.

```

6PE2# show ip bgp 6pe neighbors 10.30.30.1
Total number of BGP Neighbors: 1
1 IP Address: 10.30.30.1, AS: 1 (IBGP), RouterID: 10.30.30.1, VRF: default-vrf
State: ESTABLISHED, Time: 0h34m48s, KeepAliveTime: 60, HoldTime: 180
KeepAliveTimer Expire in 47 seconds, HoldTimer Expire in 124 seconds
Minimal Route Advertisement Interval: 0 seconds
RefreshCapability: Received
Messages:   Open      Update  KeepAlive  Notification  Refresh-Req
Sent       : 6         6        58          2              0
Received: 6         6        56          3              0
Last Update Time: NLRI          Withdraw          NLRI          Withdraw
                  Tx: 0h34m48s  ---              Rx: 0h34m48s  ---
Last Connection Reset Reason: User Reset Peer Session
Notification Sent:      Cease/Administrative Reset
Notification Received: Cease/Administrative Reset
Neighbor NLRI Negotiation:
Peer Negotiated IPV4 unicast capability
Peer Negotiated IPV6 unicast capability
Peer configured for IPV4 unicast Routes
Peer configured for IPV6 unicast Routes
Neighbor ipv6 MPLS Label Capability Negotiation:
Peer Negotiated ipv6 MPLS Label capability
Peer configured for ipv6 MPLS Label capability
Neighbor AS4 Capability Negotiation:
Outbound Policy Group:
ID: 2, Use Count: 1

```

```

BFD:Disabled
TCP Connection state: ESTABLISHED, flags:00000044 (0,0)
Maximum segment size: 1460
TTL check: 0, value: 0, rcvd: 62
  Byte Sent:   981, Received: 962
  Local host: 10.40.40.1, Local Port: 179
  Remote host: 10.30.30.1, Remote Port: 8167
  ISentSeq: 3437281442  SendNext: 3437282424  TotUnAck:      0
  TotSent:   982  ReTrans:      0  UnAckSeq: 3437282424
  IRcvSeq: 3443025033  RcvNext: 3443025996  SendWnd:      64981
  TotalRcv:   963  DupliRcv:      0  RcvWnd:      65000
  SendQue:    0  RcvQue:      0  CngstWnd:    3102
    
```

Syntax: show ip bgp 6pe neighbors *ip-address*

The *ip-address* parameter allows the user to display information for a specified neighbor. The information related to the 6PE neighbors is shown in bold text in the previous output.

Table 156 describes the output parameters of the show ip bgp 6pe neighbors command.

**TABLE 156** Output parameters of the show ip bgp 6pe neighbors command

Field	Description
Total number of BGP Neighbors	Shows the total number of BGP neighbors.
IP Address	Shows the IPv4 address of the neighbor.
AS	Shows the Autonomous System (AS) in which the neighbor resides.
EBGP or IBGP	Shows whether the neighbor session is an IBGP session, an EBGP session, or a confederation EBGP session: <ul style="list-style-type: none"> <li>• EBGP – The neighbor is in another AS</li> <li>• EBGP_Confed – The neighbor is a member of another sub-AS in the same confederation</li> <li>• IBGP – The neighbor is in the same AS</li> </ul>
RouterID	Shows the router ID of the neighbor.
VRF	Shows the status of the VRF instance.

**TABLE 156** Output parameters of the show ip bgp 6pe neighbors command (Continued)

Field	Description
State	<p>Shows the state of the router session with the neighbor. The states are from the router's perspective of the session, not the neighbor's perspective. The state can be one of the following values:</p> <ul style="list-style-type: none"> <li>• IDLE – The BGP4 process is waiting to be started. Usually, enabling BGP4 or establishing a neighbor session starts the BGP4 process. A minus sign (-) indicates that the session has gone down and the software is clearing or removing routes.</li> <li>• ADMND – The neighbor has been administratively shut down. A minus sign (-) indicates that the session has gone down and the software is clearing or removing routes.</li> <li>• CONNECT – BGP4 is waiting for the connection process for the TCP neighbor session to be completed.</li> <li>• ACTIVE – BGP4 is waiting for a TCP connection from the neighbor.</li> </ul> <p>NOTE: When the state frequently changes between CONNECT and ACTIVE, there may be a problem with the TCP connection.</p> <ul style="list-style-type: none"> <li>• OPEN SENT – BGP4 is waiting for an Open message from the neighbor.</li> <li>• OPEN CONFIRM – BGP4 has received an Open message from the neighbor and is now waiting for either a KeepAlive or Notification message. When the router receives a KeepAlive message from the neighbor, the state changes to ESTABLISHED. When the message is a Notification, the state changes to IDLE.</li> <li>• ESTABLISHED – BGP4 is ready to exchange Update messages with the neighbor. When there is more BGP data in the TCP receiver queue, a plus sign (+) is also displayed.</li> </ul>
Time	Shows the amount of time this session has been in its current state.
KeepAliveTime	Shows the keepalive time, which specifies how often this router sends KeepAlive messages to the neighbor.
HoldTime	Shows the hold time, which specifies how many seconds the router waits for a KeepAlive or Update message from a BGP4 neighbor before deciding that the neighbor is dead.
KeepAliveTimer Expire	Shows the time when the KeepAlive timer is set to expire.
HoldTimer Expire	Shows the time when the hold timer is set to expire.
Minimal Route Advertisement Interval	Shows the minimum time elapsed between the route advertisements to the same neighbor.
RefreshCapability	Shows whether the router has received confirmation from the neighbor that the neighbor supports the dynamic refresh capability.
Messages Sent and Received	<p>Shows the number of messages this router has sent to and received from the neighbor. The display shows statistics for the following message types:</p> <ul style="list-style-type: none"> <li>• Open</li> <li>• Update</li> <li>• KeepAlive</li> <li>• Notification</li> <li>• Refresh-Req</li> </ul>
Last Update Time	<p>Shows the list of last time updates that were sent and received for the following:</p> <ul style="list-style-type: none"> <li>• NLRIs</li> <li>• Withdraws</li> </ul>



**TABLE 156** Output parameters of the show ip bgp 6pe neighbors command (Continued)

Field	Description
Last Connection Reset Reason	<p>Shows the reason for ending the previous session with this neighbor. The reason can be one of the following:</p> <ul style="list-style-type: none"> <li>• No abnormal error has occurred</li> <li>• Reasons described in the BGP specifications:               <ul style="list-style-type: none"> <li>- Message Header Error</li> <li>- Connection Not Synchronized</li> <li>- Bad Message Length</li> <li>- Bad Message Type</li> <li>- OPEN Message Error</li> <li>- Unsupported Version Number</li> <li>- Bad Peer AS Number</li> <li>- Bad BGP Identifier</li> <li>- Unsupported Optional Parameter</li> <li>- Authentication Failure</li> <li>- Unacceptable Hold Time</li> <li>- Unsupported Capability</li> <li>- UPDATE Message Error</li> <li>- Malformed Attribute List</li> <li>- Unrecognized Well-known Attribute</li> <li>- Missing Well-known Attribute</li> <li>- Attribute Flags Error</li> <li>- Attribute Length Error</li> <li>- Invalid ORIGIN Attribute</li> <li>- Invalid NEXT_HOP Attribute</li> <li>- Optional Attribute Error</li> <li>- Invalid Network Field</li> <li>- Malformed AS_PATH</li> <li>- Hold Timer Expired</li> <li>- Finite State Machine Error</li> <li>- Rcv Notification</li> <li>- Reset All Peer Sessions</li> <li>- User Reset Peer Session</li> <li>- Port State Down</li> <li>- Peer Removed</li> <li>- Peer Shutdown</li> <li>- Peer AS Number Change</li> <li>- Peer AS Confederation Change</li> <li>- TCP Connection KeepAlive Timeout</li> <li>- TCP Connection Closed by Remote</li> <li>- TCP Data Stream Error Detected</li> </ul> </li> </ul>

**TABLE 156** Output parameters of the show ip bgp 6pe neighbors command (Continued)

Field	Description
Notification Sent	<p>Shows an error code corresponding to one of the following errors when the router sends a Notification message from the neighbor. Some errors have subcodes that clarify the reason for the error. The subcode messages are listed underneath the error code messages, wherever applicable.</p> <ul style="list-style-type: none"> <li>• Message Header Error               <ul style="list-style-type: none"> <li>- Connection Not Synchronized</li> <li>- Bad Message Length</li> <li>- Bad Message Type</li> <li>- Unspecified</li> </ul> </li> <li>• Open Message Error               <ul style="list-style-type: none"> <li>- Unsupported Version</li> <li>- Bad Peer AS</li> <li>- Bad BGP Identifier</li> <li>- Unsupported Optional Parameter</li> <li>- Authentication Failure</li> <li>- Unacceptable Hold Time</li> <li>- Unspecified</li> </ul> </li> <li>• Update Message Error               <ul style="list-style-type: none"> <li>- Malformed Attribute List</li> <li>- Unrecognized Attribute</li> <li>- Missing Attribute</li> <li>- Attribute Flag Error</li> <li>- Attribute Length Error</li> <li>- Invalid Origin Attribute</li> <li>- Invalid NextHop Attribute</li> <li>- Optional Attribute Error</li> <li>- Invalid Network Field</li> <li>- Malformed AS Path</li> <li>- Unspecified</li> </ul> </li> <li>• Hold Timer Expired</li> <li>• Finite State Machine Error</li> <li>• Cease or Administrative Reset</li> <li>• Unspecified</li> </ul>
Notification Received	Shows an error code corresponding to one of the listed errors in the Notification Sent field when the router receives a Notification message from the neighbor.
Neighbor NLRI Negotiation	<p>Shows the state of the router's NLRI negotiation with the neighbor. The states can be one of the following:</p> <ul style="list-style-type: none"> <li>• Peer negotiated IPv4 unicast capability</li> <li>• Peer negotiated IPv6 unicast capability</li> <li>• Peer configured for IPv4 unicast routes</li> <li>• Peer configured for IPv6 unicast routes</li> </ul>
Neighbor IPv6 MPLS Label Capability Negotiation	<p>Shows the state of the router's IPv6 MPLS label capability negotiation with the neighbor. The states can be one of the following:</p> <ul style="list-style-type: none"> <li>• Peer negotiated IPv6 MPLS Label capability</li> <li>• Peer configured for IPv6 MPLS Label capability</li> </ul>
Neighbor AS4 Capability Negotiation	<p>Shows the state of the router's AS4 capability negotiation with the neighbor. The states can be one of the following:</p> <ul style="list-style-type: none"> <li>• Peer negotiated AS4 capability</li> <li>• Peer configured for AS4 capability</li> </ul>

**TABLE 156** Output parameters of the show ip bgp 6pe neighbors command (Continued)

Field	Description
Outbound Policy Group	Shows the ID and the count used in the outbound policy group.
BFD	Shows whether or not Bidirectional Forwarding Detection (BFD) is enabled on the device.
TCP Connection state	Shows the state of the connection with the neighbor. The connection can have one of the following states: <ul style="list-style-type: none"> <li>• LISTEN – Waiting for a connection request.</li> <li>• SYN-SENT – Waiting for a matching connection request after having sent a connection request.</li> <li>• SYN-RECEIVED – Waiting for a confirming connection request acknowledgment after having both received and sent a connection request.</li> <li>• ESTABLISHED – Data can be sent and received over the connection. This is the normal operational state of the connection.</li> <li>• FIN-WAIT-1 – Waiting for a connection termination request from the remote TCP, or an acknowledgment of the connection termination request previously sent.</li> <li>• FIN-WAIT-2 – Waiting for a connection termination request from the remote TCP.</li> <li>• CLOSE-WAIT – Waiting for a connection termination request from the local user.</li> <li>• CLOSING – Waiting for a connection termination request acknowledgment from the remote TCP.</li> <li>• LAST-ACK – Waiting for an acknowledgment of the connection termination request previously sent to the remote TCP (which includes an acknowledgment of its connection termination request).</li> <li>• TIME-WAIT – Waiting for the specific time to ensure that the remote TCP received the acknowledgment of its connection termination request.</li> <li>• CLOSED – There is no connection state.</li> </ul>
Maximum segment size	Shows the TCP maximum segment size.
TTL check	Shows the TCP TTL check.
Byte Sent	Shows the number of bytes sent.
Byte Received	Shows the number of bytes received.
Local host	Shows the IPv4 address of the router.
Local port	Shows the TCP port that the router is using for the BGP4 TCP session with the neighbor.
Remote host	Shows the IPv4 address of the neighbor.
Remote port	Shows the TCP port that the neighbor is using for the BGP4 TCP session with the router.
ISentSeq	Shows the initial send sequence number for the session.
SendNext	Shows the next sequence number to be sent.
TotUnAck	Shows the count of the sequence numbers sent by the router that have not been acknowledged by the neighbor.
TotSent	Shows the count of the sequence numbers sent to the neighbor.
ReTrans	Shows the count of the sequence numbers that the router retransmitted because they were not acknowledged.
UnAckSeq	Shows the current acknowledged sequence number.
IRcvSeq	Shows the initial receive sequence number for the session.
RcvNext	Shows the next sequence number expected from the neighbor.
SendWnd	Shows the size of the send window.

**TABLE 156** Output parameters of the show ip bgp 6pe neighbors command (Continued)

Field	Description
TotalRcv	Shows the count of the sequence numbers received from the neighbor.
DupliRcv	Shows the count of the duplicate sequence numbers received from the neighbor.
RcvWnd	Shows the size of the receive window.
SendQue	Shows the count of the sequence numbers in the send queue.
RcvQue	Shows the count of the sequence numbers in the receive queue.
CngstWnd	Shows the number of times the window has changed.

## Displaying the error information for the 6PE neighbors

Issue the show ip bgp 6pe neighbors last-packet-with-error command to display error information for the 6PE neighbors. For example, to display error information for the 6PE neighbors in the configuration in [Figure 95](#), enter the following command.

```
6PE2# show ip bgp 6pe neighbors last-packet-with-error
Total number of BGP Neighbors: 1
No received packet with error logged for any neighbor
```

Syntax: show ip bgp 6pe neighbors last-packet-with-error

[Table 157](#) describes the output parameters of the show ip bgp 6pe neighbors last-packet-with-error command.

**TABLE 157** Output parameters of the show ip bgp 6pe neighbors last-packet-with-error command

Field	Description
Total number of BGP Neighbors	Shows the total number of neighbors configured for the 6PE router.
Last error	Shows the decoded error packet contents or the notification that no packets with an error were received.

## Displaying the routes summary of the 6PE neighbors

Issue the show ip bgp 6pe neighbors routes-summary command to display the routes summary for the 6PE neighbors. For example, to display the routes summary for the 6PE neighbors in the configuration in [Figure 95](#), enter the following command.

```
6PE2# show ip bgp 6pe neighbors routes-summary
Total number of BGP Neighbors: 1
1 IP Address: 10.30.30.1
Routes Accepted/Installed:2, Filtered/Kept:0, Filtered:0
Routes Selected as BEST Routes:2
BEST Routes not Installed in IP Forwarding Table:0
Unreachable Routes (no IGP Route for NEXTHop):0
History Routes:0
NLRIs Received in Update Message:2, Withdraws:0 (0), Replacements:0
NLRIs Discarded due to
Maximum Prefix Limit:0, AS Loop:0
Invalid Nexthop:0, Invalid Nexthop Address:0.0.0.0
```

```

Invalid Confed aspath:0, maxas-limit aspath:0
Duplicated Originator_ID:0, Cluster_ID:0
Routes Advertised:2, To be Sent:0, To be Withdrawn:0
NLRIs Sent in Update Message:2, Withdraws:0, Replacements:0
Peer Out of Memory Count for:
  Receiving Update Messages:0, Accepting Routes(NLRI):0
  Attributes:0, Outbound Routes(RIB-out):0 Outbound Routes Holder:0
    
```

Syntax: show ip bgp 6pe neighbors routes-summary

Table 158 describes the output parameters of the show ip bgp 6pe neighbors routes-summary command.

**TABLE 158** Output parameters of the show ip bgp 6pe neighbors routes-summary command

Field	Description
Total number of BGP Neighbors	Shows the total number of BGP neighbors.
IP Address	Shows the IP address of the neighbor.
Routes	Shows the number of received routes that were received during the current BGP4 session: <ul style="list-style-type: none"> <li>Accepted or Installed – Number of routes that the router accepted and installed in the BGP4 route table during the current BGP4 session.</li> <li>Filtered or Kept – Number of routes that were filtered out, but were retained in memory for use by the soft reconfiguration feature.</li> <li>Filtered – Number of received routes filtered out.</li> </ul>
Routes Selected as BEST Routes	Shows the number of routes that the router selected as the best routes to their destinations.
BEST Routes not Installed in IP Forwarding Table	Shows the number of routes received from the neighbor that are the best BGP4 routes to their destinations, but were not installed in the IP route table because the router received better routes from other sources (such as OSPF, RIP, or static IP routes).
Unreachable Routes	Shows the number of routes received from the neighbor that are unreachable because the router does not have a valid RIP, OSPF, or static route to the next hop.
History Routes	Shows the number of routes that are down but are being retained for route flap dampening purposes.
NLRIs Received in Update Message	Shows the number of routes received in Network Layer Reachability Information (NLRI) format in Update messages: <ul style="list-style-type: none"> <li>Withdraws – Number of withdrawn routes that the router has received.</li> <li>Replacements – Number of replacement routes that the router has received.</li> </ul>

**TABLE 158** Output parameters of the show ip bgp 6pe neighbors routes-summary command (Continued)

Field	Description
NLRIs Discarded due to	Shows the number of times the router discarded NLRI for the neighbor due to the following reasons: <ul style="list-style-type: none"> <li>• Maximum Prefix Limit – The configured maximum prefix amount that had been reached.</li> <li>• AS Loop – An AS loop occurred. An AS loop occurs when the BGP4 AS-path attribute contains the local AS number.</li> <li>• maxas-limit aspath – The number of route entries discarded because the AS path exceeded the configured maximum length or exceeded the internal memory limits.</li> <li>• Invalid Nexthop – The next hop value was not acceptable.</li> <li>• Invalid Nexthop address - The next hop address was not acceptable.</li> <li>• Invalid Confed aspath - The AS path attribute was not acceptable.</li> <li>• Duplicated Originator_ID – The originator ID was the same as the local router ID.</li> <li>• Cluster_ID – The cluster list contained the local cluster ID, or the local router ID.</li> </ul>
Routes Advertised	Shows the number of routes that the router has advertised to this neighbor: <ul style="list-style-type: none"> <li>• To be Sent – The number of routes queued to be sent to this neighbor.</li> <li>• To be Withdrawn – The number of NLRI routes for withdrawing the routes that the router has queued to send to this neighbor in Update messages.</li> </ul>
NLRIs Sent in Update Message	Shows the number of NLRI routes for the new routes that the router has sent to this neighbor in Update messages: <ul style="list-style-type: none"> <li>• Withdraws – Number of routes the router has sent to the neighbor to withdraw.</li> <li>• Replacements – Number of routes that the router has sent to the neighbor to replace the existing routes.</li> </ul>
Peer Out of Memory Count for	Shows the statistics for the count the router has run out of BGP4 memory for the neighbor during the current BGP4 session: <ul style="list-style-type: none"> <li>• Receiving Update Messages – The number of times Update messages were discarded because there was no memory for attribute entries.</li> <li>• Accepting Routes (NLRI) – The number of NLRI routes discarded because there was no memory for NLRI routes. This count is not included in the Receiving Update Messages count.</li> <li>• Attributes – The number of times there was no memory for BGP4 attribute entries.</li> <li>• Outbound Routes (RIB-out) – The number of times there was no memory to place a “best” route into the neighbor route information base (Adj-RIB-Out) for routes to be advertised.</li> <li>• Outbound Routes Holder - For debugging purposes only.</li> </ul>

## Displaying the 6PE summary

Issue the show ip bgp 6pe summary command to display the 6PE summary. For example, to display the 6PE summary for the configuration in [Figure 95](#), enter the following command.

```
6PE2# show ip bgp 6pe summary
```

BGP4 Summary

```

Router ID: 10.40.40.1   Local AS Number: 1
Confederation Identifier: not configured
Confederation Peers:
Maximum Number of IP ECMP Paths Supported for Load Sharing: 1
Number of Neighbors Configured: 1, UP: 1
Number of Routes Installed: 4, Uses 344 bytes
Number of Routes Advertising to All Neighbors: 2 (2 entries), Uses 96 bytes
Number of Attribute Entries Installed: 4, Uses 360 bytes
Neighbor Address  AS# State Time  Rt:Accepted Filtered  Sent ToSend
10.30.30.1        1  ESTAB 0h35m18s    2  0          2  0
    
```

Syntax: show ip bgp 6pe summary

Table 159 describes the output parameters of the show ip bgp 6pe summary command.

**TABLE 159** Output parameters of the show ip bgp 6pe summary command

Field	Description
Router ID	Shows the neighbor router ID.
Local AS Number	Shows the value of the Local AS configured.
Confederation Identifier	Shows the AS number of the confederation in which the router resides.
Confederation Peers	Shows the numbers of the local Autonomous Systems contained in the confederation. This list matches the confederation peer list the user configures on the router.
Maximum Number of IP ECMP Paths Supported for Load Sharing	Shows the maximum number of route paths across which the router can balance traffic to the same destination.
Number of Neighbors Configured	Shows the number of BGP4 neighbors configured on this router, and currently in the ESTABLISHED state.
Number of Routes Installed	Shows the number of BGP4 routes in the BGP4 route table and the route or path memory usage.
Number of Routes Advertising to All Neighbors	Shows the total of the RtSent and RtToSend columns for all neighbors and the amount of memory used by these groups.
Number of Attribute Entries Installed	Shows the number of BGP4 route-attribute entries in the route-attributes table and the amount of memory used by these entries.
Neighbor Address	Shows the IP addresses of the BGP4 neighbors for this router.
AS#	Shows the AS number.

**TABLE 159** Output parameters of the show ip bgp 6pe summary command (Continued)

Field	Description
State	<p>Shows the state of the router sessions with each neighbor. The states can be one of the following for each router:</p> <ul style="list-style-type: none"> <li>• IDLE - The BGP4 process is waiting to be started. Usually, enabling BGP4 or establishing a neighbor session starts the BGP4 process.</li> <li>• ADMND - The neighbor has been administratively shut down.</li> <li>• CONNECT - BGP4 is waiting for the connection process for the TCP neighbor session to be completed.</li> <li>• ACTIVE - BGP4 is waiting for a TCP connection from the neighbor.</li> </ul> <p>NOTE: When the state frequently changes between CONNECT and ACTIVE, there may be a problem with the TCP connection.</p> <ul style="list-style-type: none"> <li>• OPEN SENT - BGP4 is waiting for an Open message from the neighbor.</li> <li>• OPEN CONFIRM - BGP4 has received an Open message from the neighbor and is now waiting for either a KeepAlive or Notification message. When the router receives a KeepAlive message from the neighbor, the state changes to ESTABLISHED. When the message is a Notification, the state changes to IDLE.</li> <li>• ESTABLISHED - BGP4 is ready to exchange Update packets with the neighbor.</li> </ul> <p>Operational States</p> <p>The following symbols indicate additional information regarding the operational states of the BGP4 states:</p> <ul style="list-style-type: none"> <li>• (+) - Displayed when there is more BGP4 data in the TCP receiver queue. Note: When the user displays information for the neighbor using the show ip bgp neighbor <i>ip-addr</i> command, the TCP receiver queue value is greater than zero.</li> <li>• (-) - Indicates that the session has gone down and the software is clearing or removing routes.</li> <li>• (*) - Indicates that the inbound or outbound policy is being updated for the peer.</li> <li>• (s) - Indicates that the peer has negotiated restart, and the session is in a stale state.</li> </ul>
State (continued)	<p>Operational States (continued)</p> <ul style="list-style-type: none"> <li>• (r) - Indicates that the peer is restarting the BGP4 connection, through restart.</li> <li>• (^) - Indicates that the peer is in the ESTABLISHED state on the standby MP and has received restart capability in the primary MP.</li> <li>• (&lt;) - Indicates that the router is waiting to receive the "End of RIB" message on the peer.</li> <li>• (p) - Indicates that the neighbor ribout group membership change is pending or in progress.</li> </ul>
Time	Shows the time that has passed since the last state change.
RT:Accepted	Shows the number of routes received from the neighbor that this router installed in the BGP4 route table.
Filtered	<p>Shows the routes or prefixes that have been filtered out:</p> <ul style="list-style-type: none"> <li>• When soft reconfiguration is enabled, this field shows how many routes were filtered out (not placed in the BGP4 route table) but retained in memory.</li> <li>• When soft reconfiguration is not enabled, this field shows the number of BGP4 routes that have been filtered out.</li> </ul>
Sent	Shows the number of BGP4 routes that the router has sent to the neighbor.
ToSend	Shows the number of routes that the router has queued to advertise and withdraw to a neighbor.



## Displaying the 6PE packet count

Issue the `show mpls statistics 6pe` command to display the count of 6PE packets per packet processor. For example, to display the count of 6PE packets per packet processor for the configuration in [Figure 95](#), enter the following command.

```
6PE2# show mpls statistics 6pe
In-Port(s)      Endpt Out-Pkt      Tnl Out-Pkt
e1/1 - e1/2     184116072         1697803327
e1/3 - e1/4     389547885         6036111
e2/1 - e2/24    1088610           0
e2/25 - e2/48   0                 248406
e3/1            2045067126        5288598554
e3/2            0                 0
```

Syntax: `show mpls statistics 6pe`

[Table 160](#) describes the output parameters of the `show mpls statistics 6pe` command.

**TABLE 160** Output parameters of the `show mpls statistics 6pe` command

Field	Description
In-Port(s)	Shows the port for which the 6PE traffic is received or sent.
Endpt Out-Pkt	Shows the number of 6PE packets received from the MPLS network and sent as IPv6 packets to the IPv6 cloud.
Tnl Out-Pkt	Shows the number of IPv6 packets received from the IPv6 cloud and sent as 6PE packets to the MPLS network.

### NOTE

Due to hardware limitations, Brocade NetIron CES and Brocade NetIron CER devices do not count the Tnl Out-Pkt statistics.

## Clearing 6PE information

To clear the 6PE neighbor information, enter the following command.

```
Brocade# clear ip bgp 6pe neighbor all
```

Syntax: `clear ip bgp 6pe neighbor all | ip-address | peer-group-name | as-num`

The `all` keyword specifies all the neighbors.

The `ip-address` parameter specifies the IP address of the neighbor.

The `peer-group-name` parameter specifies all the neighbors in a specific peer group.

The `as-num` parameter specifies all the neighbors within the specified AS.

## 6PE behavioral differences on the Brocade devices

The 6PE support provided on the Brocade MLXe series and Brocade NetIron XMR devices differs from that provided on the Brocade NetIron CES and Brocade NetIron CER devices. The differences are detailed in the following sections:

- Output statistics for the show mpls statistics 6pe command
- TTL propagation for 6PE packets
- CoS behavior for 6PE packets

### Output statistics for the show mpls statistics 6pe command

The Brocade MLXe series and Brocade NetIron XMR devices can count both the Endpt Out-pkt and Tnl Out-Pkt statistics, whereas the Brocade NetIron CES and Brocade NetIron CER devices can count only the Endpt Out-pkt statistics due to hardware limitations.

### TTL propagation for 6PE packets

The Time-to-Live (TTL) propagation for 6PE packets is controlled by the propagate-ttl and label-propagate-ttl commands on the routers. By default, the propagate-ttl command is enabled and the label-propagate-ttl command is disabled for the Brocade MLXe series and Brocade NetIron XMR devices. Therefore, the user must enable the propagate-ttl and label-propagate-ttl commands accordingly in order to configure TTL propagation for 6PE packets.

Table 161 describes the difference in the 6PE TTL propagation behavior between the Brocade MLXe series and Brocade NetIron XMR devices, and the Brocade NetIron CES and Brocade NetIron CER devices.

**TABLE 161** Differences in the 6PE TTL propagation behavior on the Brocade devices

Behavior of Brocade MLXe series and Brocade NetIron XMR devices	Behavior of Brocade NetIron CES and Brocade NetIron CER devices
The TTL propagation for 6PE packets is controlled by the propagate-ttl command on the ingress and egress 6PE routers, and by the label-propagate-ttl command on the transit and the Penultimate Hop Popping (PHP) routers.	The TTL propagation for 6PE packets is controlled only by the propagate-ttl command on the ingress 6PE, egress 6PE, transit, and PHP routers. The label-propagate-ttl command is not applicable for the Brocade NetIron CES and Brocade NetIron CER devices.
	Due to design limitations, when the propagate-ttl command is enabled on the PHP router, the TTL value is not decremented and therefore the recorded TTL value at the endpoint is one more than the expected value.

### CoS behavior for 6PE packets

Table 162 describes the Class of Service (CoS) treatment for 6PE packets at the ingress 6PE, egress 6PE, transit, and PHP routers, and the differences in the CoS behavior between the Brocade MLXe series and Brocade NetIron XMR devices, and the Brocade NetIron CES and Brocade NetIron CER devices.

**TABLE 162** Differences in the 6PE CoS behavior on the Brocade devices

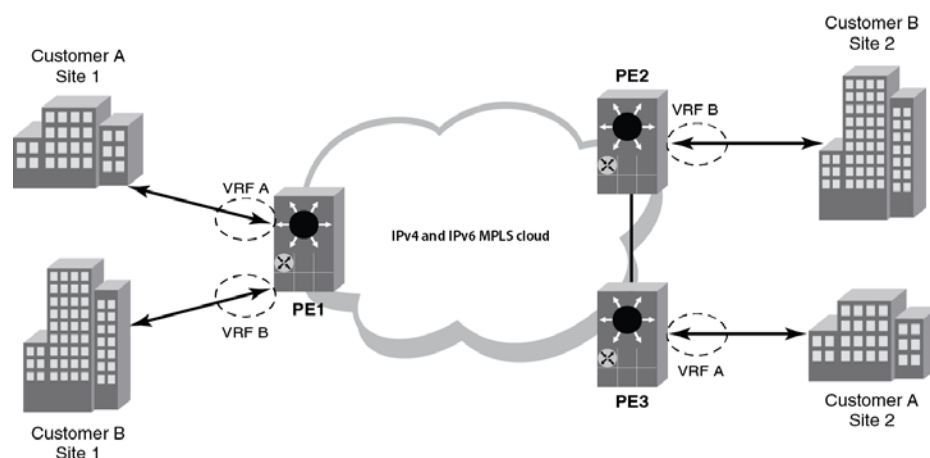
Behavior of Brocade MLXe series and Brocade NetIron XMR devices	Behavior of Brocade NetIron CES and Brocade NetIron CER devices
At the ingress router, the tunnel and 6PE label EXP bits are set to internal priority. When the tunnel has a configured CoS value, the configured value overrides the internal priority.	At the ingress router, the tunnel and 6PE label EXP bits are set to internal priority. When the tunnel has a configured CoS value, the configured value overrides the internal priority.
At the transit router, when the port encode EXP bit is set, then both the MPLS tunnel EXP and 6PE label EXP bits are overwritten from the encoding table.	At the transit router, when the port encode EXP bit is set, then only the MPLS tunnel EXP bit is overwritten from the encoding table.
At the PHP router, the tunnel label is popped and the 6PE label keeps its EXP value unchanged.	At the PHP router, the tunnel label is popped and the 6PE label keeps its EXP value unchanged.
At the egress router, the 6PE label is popped and the IPv6 packet keeps its DSCP value unchanged. When the port encode DSCP bit is set, then the IPv6 DSCP value is overwritten from the encoding table.	At the egress router, the 6PE label is popped and the DSCP value in the IPv6 header is updated based on the DSCP encode policy. For these devices, the DSCP encode policy cannot be switched off.

## 6VPE Routing

IPv6 VPN Provider Edge Router (6VPE) routing enables connecting two IPv6 private networks over IPv4-based MPLS public network, as described in RFC 4798. The 6VPE router can be an existing Provider Edge (PE) router or a new PE router dedicated to IPv6 traffic. The Provider Edge (PE) router supports dual stack IPv4 and IPv6. Similar to L3VPN, the 6VPE router utilizes the existing MPLS backbone to forward IPv6 traffic from PE to PE using the MPLS labels.

### 6VPE overview

Figure 96 is the network topology for 6VPE.

**FIGURE 96** 6VPE topology

The 6VPE network consists of the following key elements in the topology.

- Customer A sites: Advertise IPv6 routes.
- Customer B sites: Advertise IPv6 routes.
- PE1: The source or the ingress label switch router (LSR).
- PE2 and PE3: The destination or the egress LSRs.

The topology shows different customer sites that are connected through IPv4 MPLS network and operating with IPv6 address families. The PE routers run dual stack IPv4 and IPv6. Customer A's site 1 and site 2 are connected through the MPLS cloud and a different VRF is maintained at PE for each customer. Customer A's site 1 connected to PE1 with VRF A and customer B's site 1 is connected to PE1 with VRF B.

Table 163 provides information about the different routing protocols that are used for advertising routes between the customer sites (CE) and the PE routers in the MPLS network.

**TABLE 163** 6VPE route advertising

Connectivity	Protocols
PE to CE routing	BGP+, OSPFv3, or RIPng
PE to PE routing (exchanging IPv6 routes with VRF label)	MP-BGP
Exchanging of tunnel labels in MPLS cloud	LDP, RSVP

The following steps describe 6VPE in an existing MPLS domain:

1. Each customer site advertises IPv6 routes to attached PE routers. The PE routers receive the routes on their specific VRFs.
2. The PE routers assign VRF labels to all the received IPv6 packets.
3. The PE routers advertise the received routes to remote PE routers with IPv6 VRF label. The IPv6 VRF label is unique for each VRF within the PE.
4. The IPv6 packets are forwarded in the MPLS cloud based on the corresponding VRF routing table with IPv6 VRF labels.
5. The 6VPE router forwards the IPv6 packets from the customer router using the existing IPv4 LSPs.

### 6VPE limitations

6VPE supports only IPv6 unicast forwarding and does not support IPv6 multicast forwarding.

## Configuring 6VPE

Perform the following steps to configure 6VPE over an IPv4-based MPLS network.

1. VRF configuration

Create a VRF instance:

```
Brocade(config)# vrf A
```

Create a route distinguisher for the VRF:

```
Brocade(config-vrf-A)# rd 1:1
```

Configure the address family:

```
Brocade(config-vrf-A)# address-family ipv6
```

## 2. Interface configuration

Assign an interface to the VRF:

```
Brocade(config)# interface ethernet 1/1
Brocade(config-if-e10000-1/1)# vrf forwarding A
Brocade(config-if-e10000-1/1)#
```

Configure the IPv6 address:

```
Brocade(config)# interface ethernet 1/1
Brocade(config-if-e10000-1/1)# ipv6address 3ffe:db8::2/64
```

## 3. BGP configuration

Enable the VPNv6 address family on the router:

```
Brocade(config-bgp)# address-family vpnv6 unicast
```

Configure the IPv4 peer 10.0.0.1 in VPNv6 unicast address family:

```
Brocade(config-bgp-vpnv6u)# neighbor 10.0.0.1 remote-as 100
```

Configure outbound route filtering send capability to neighbor 10.0.0.1:

```
Brocade(config-bgp-vpnv6u)# neighbor 10.0.0.1 capability orf prefixlist send
```

## 4. MPLS configuration

Configure the MPLS interface:

```
Brocade(config)# router mpls
Brocade(config-mpls)# mpls-interface ethernet 1/5
```

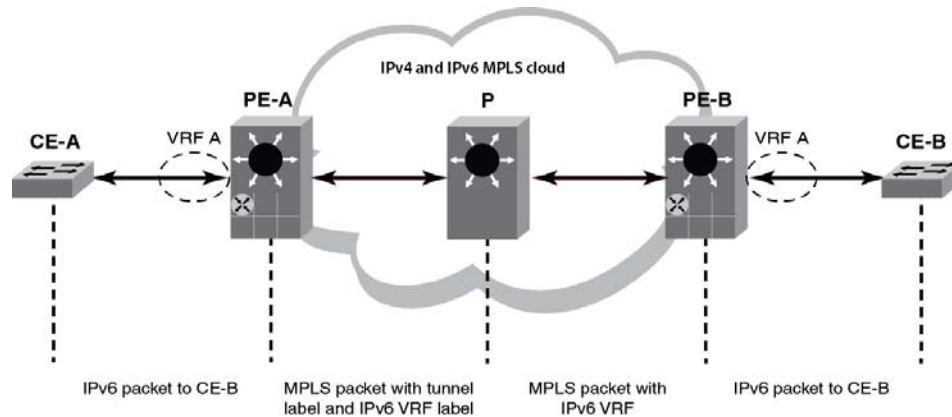
Configure the LSP:

```
Brocade(config-mpls)# lsp 6vpetunn
Brocade(config-mpls-lsp-6vpetunn)# to 10.0.0.1
Brocade(config-mpls-lsp-6vpetunn)# enable
```

## Use case scenario: 6VPE with P router

Figure 97 shows 6VPE packet flow when PE routers are connected with intermediate P routers in an MPLS network.

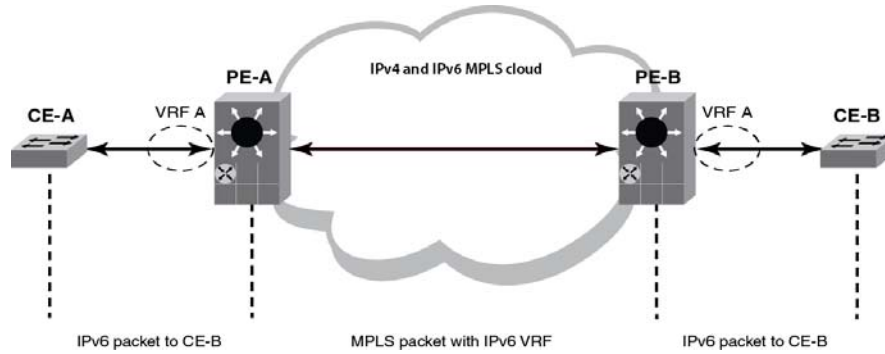
**FIGURE 97 6VPE with P router**



**Use case scenario: 6VPE when PEs are directly connected**

Figure 98 shows 6VPE packet flow when PE routers are directly connected to each other in an MPLS network.

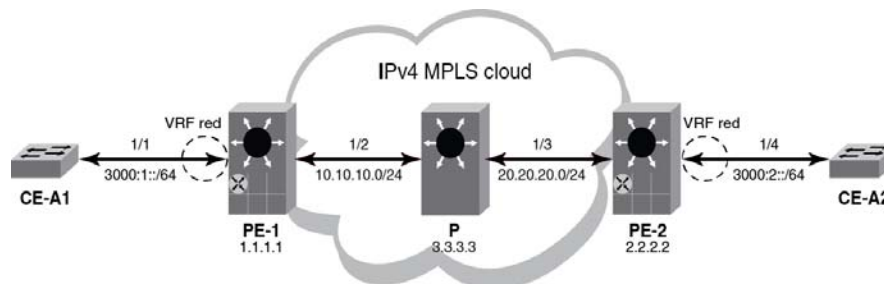
**FIGURE 98 6VPE when PEs are directly connected**



**Configuration example to deploy 6VPE**

Refer to Figure 99 for the network topology to understand the 6VPE configuration example.

**FIGURE 99 6VPE configuration example**



## CE-A1 Configuration

### 1. OSPFv3 Configuration

```
CE-A1(config)# ip router-id 110.110.110.1
CE-A1(config)# ipv6 router ospf
CE-A1(config-ospf6-router)# area 1
CE-A1(config-ospf6-router)# exit
```

### 2. Interface Configuration

```
CE-A1(config)#interface ethernet 1/1
CE-A1(config-if-e10000-1/1)# enable
CE-A1(config-if-e10000-1/1)# ipv6 address 3000:1::1/64
CE-A1(config-if-e10000-1/1)# ipv6 ospf area 1
CE-A1(config-if-e10000-1/1)# exit
```

## PE-1 Configuration

### 1. VRF Configuration

```
PE-1(config)# vrf red
PE-1(config-vrf-red)# rd 1:1
PE-1(config-vrf-red)# ip router-id 120.120.120.2
PE-1(config-vrf-red)# address-family ipv6
PE-1(config-vrf-red-ipv6)# exit
PE-1(config)#
```

```
PE-1(config)# ipv6 router ospf vrf red
PE-1(config-ospf6-router-vrf-red)# area 1
PE-1(config-ospf6-router-vrf-red)# exit
```

```
PE-1(config)# interface ethernet 1/1
PE-1(config-if-e10000-1/1)# enable
PE-1(config-if-e10000-1/1)# vrf forwarding red
PE-1(config-if-e10000-1/1)# ipv6 address 3000:1::2/64
PE-1(config-if-e10000-1/1)# ipv6 ospf area 1
PE-1(config-if-e10000-1/1)# exit
```

### 2. OSPF Configuration

```
PE-1(config)# router ospf
PE-1(config-ospf-router)# area 0
PE-1(config-ospf-router)# exit
```

### 3. Loopback address Configuration

```
PE-1(config)# interface loopback 1
PE-1(config-lbif-1)# ip address 1.1.1.1/32
PE-1(config-lbif-1)# ip ospf area 0
PE-1(config-lbif-1)# exit
```

### 4. IPv4 address Configuration

```
PE-1(config)# interface ethernet 1/2
PE-1(config-if-e10000-1/2)# enable
PE-1(config-if-e10000-1/2)# ip address 10.10.10.1/24
```

```
PE-1(config-if-e10000-1/2)# ip ospf area 0
PE-1(config-if-e10000-1/2)# exit
```

### 5. MP-BGP Configuration

```
PE-1(config)# router bgp
PE-1(config-bgp)# address-family vpnv6 unicast
PE-1(config-bgp-vpnv6u)# neighbor 20.0.0.1 remote-as 100
PE-1(config-bgp-vpnv6u)# neighbor 20.0.0.1 capability orf prefixlist send
PE-1(config-bgp-vpnv6u)# exit
```

### 6. MPLS Configuration

```
PE-1(config)# router mpls
PE-1(config-mpls)# mpls-interface ethernet 1/2
PE-1(config-mpls)# lsp 6vpetunn
PE-1(config-mpls-lsp-6vpetunn)# to 2.2.2.2
PE-1(config-mpls-lsp-6vpetunn)# enable
PE-1(config-mpls-lsp-6vpetunn)# exit
```

## P- Configuration

### 1. OSPF Configuration

```
P(config)# router ospf
P(config-ospf-router)# area 0
P(config-ospf-router)# exit
```

### 2. IPv4 address Configuration

```
PE-1(config)# interface ethernet 1/2
PE-1(config-if-e10000-1/2)# enable
PE-1(config-if-e10000-1/2)# ip address 10.10.10.1/24
PE-1(config-if-e10000-1/2)# ip ospf area 0
PE-1(config-if-e10000-1/2)# exit
```

```
P(config)# interface ethernet 1/3
P(config-if-e10000-1/3)# enable
P(config-if-e10000-1/3)# ip address 20.20.20.2/24
P(config-if-e10000-1/3)# ip ospf area 0
P(config-if-e10000-1/3)# exit
```

### 3. Loopback address Configuration

```
P(config)# interface loopback 1
P(config-lbif-1)# ip address 3.3.3.3/32
P(config-lbif-1)# ip ospf area 0
P(config-lbif-1)# exit
```

### 4. MPLS Configuration

```
P(config)# router mpls
P(config-mpls)# mpls-interface ethernet 1/2
P(config-mpls)# mpls-interface ethernet 1/3
P(config-mpls)# exit
```



## PE-2 Configuration

### 1. VRF Configuration

```
PE-2(config)# vrf red
PE-2(config-vrf-red)# rd 1:1
PE-2(config-vrf-red)# ip router-id 130.130.130.3
PE-2(config-vrf-red)# address-family ipv6
PE-2(config-vrf-red-ipv6)# exit
```

```
PE-2(config)# ipv6 router ospf vrf red
PE-2(config-ospf6-router-vrf-red)# area 1
PE-2(config-ospf6-router-vrf-red)# exit
```

```
PE-2(config)# interface ethernet 1/4
PE-2(config-if-e10000-1/4)# enable
PE-2(config-if-e10000-1/4)# vrf forwarding red
PE-2(config-if-e10000-1/4)# ipv6 address 3000:2::2/64
PE-2(config-if-e10000-1/4)# ipv6 ospf area 1
PE-2(config-if-e10000-1/4)# exit
```

### 2. OSPF Configuration

```
PE-2(config)# router ospf
PE-2(config-ospf-router)# area 0
PE-2(config-ospf-router)# exit
```

### 3. Loopback address Configuration

```
PE-2(config)# interface loopback 1
PE-2(config-lbif-1)# ip address 2.2.2.2/32
PE-2(config-lbif-1)# ip ospf area 0
PE-2(config-lbif-1)# exit
```

### 4. IPv4 address Configuration

```
PE-2(config)# interface ethernet 1/3
PE-2(config-if-e10000-1/3)# enable
PE-2(config-if-e10000-1/3)# ip address 20.20.20.1/24
PE-2(config-if-e10000-1/3)# ip ospf area 0
PE-2(config-if-e10000-1/3)# exit
```

### 5. MP-BGP Configuration

```
PE-1(config)# router bgp
PE-1(config-bgp)# address-family vpnv6 unicast
PE-1(config-bgp-vpnv6u)# neighbor 10.0.0.1 remote-as 100
PE-1(config-bgp-vpnv6u)# neighbor 10.0.0.1 capability orf prefixlist send
PE-1(config-bgp-vpnv6u)# exit
```

### 6. MPLS Configuration

```
PE-2(config)# router mpls
PE-2(config-mpls)# mpls-interface ethernet 1/3
PE-2(config-mpls)# lsp 6vpetunn
PE-2(config-mpls-lsp-6vpetunn)# to 1.1.1.1
PE-2(config-mpls-lsp-6vpetunn)# enable
PE-2(config-mpls-lsp-6vpetunn)# exit
```

## CE-A2 Configuration

### 1. OSPFV3 Configuration

```
CE-A2(config)# ip router-id 140.140.140.4
CE-A2(config)# ipv6 router ospf
CE-A2(config-ospf6-router)# area 1
CE-A2(config-ospf6-router)# exit
```

### 2. Interface Configuration

```
CE-A2(config)# interface ethernet 1/4
CE-A2(config-if-e10000-1/4)# enable
CE-A2(config-if-e10000-1/4)# ipv6 address 3000:2::1/64
CE-A2(config-if-e10000-1/4)# ipv6 ospf area 1
CE-A2(config-if-e10000-1/4)# exit
```

## Displaying 6VPE information

You can display the following information about the 6VPE configuration on the device:

- 6VPE statistics for all VRFs configured in the system
- 6VPE statistics for a specific VRF

## Displaying the 6VPE packet count

Run the `show mpls statistics 6pe vrf` command to display the count of 6VPE packets for all VRFs configured in the system.

```
Brocade# show mpls statistics 6pe vrf
VRF Name In-Port(s) Endpt Out-Pkt Tnl Out-Pkt
Red e1/1 - e1/2 184116072 1697803327
e1/3 - e1/4 389547885 6036111
e2/1 - e2/24 1088610 0
e2/25 - e2/48 0 248406

Green e1/1 - e1/2 116072 1697803
e1/3 - e1/4 0 60111
e2/1 - e2/24 1088610 0
e2/25 - e2/48 0 248406
```

Syntax: `show mpls statistics 6pe vrf`

[Table 164](#) describes the output parameters of the `show mpls statistics 6pe vrf` command.

**TABLE 164** Output from the show mpls statistics 6pe vrf command

Field	Description
In-Port(s)	Shows the port for which the 6VPE traffic is received or sent.
Endpt Out-Pkt	Shows the number of 6VPE packets received from the MPLS network and sent as IPv6 packets to the IPv6 cloud.
Tnl Out-Pkt	Shows the number of IPv6 packets received from the IPv6 cloud and sent as 6VPE packets to the MPLS network.

NOTE: Due to hardware limitations, this statistic is not displayed when the command is run on the Brocade NetIron CES or Brocade NetIron CER devices.

## Displaying the 6VPE packet count for a specified VRF

Run the show mpls statistics 6pe vrf *vrf name* command to display the 6VPE packet for a specified VRF.

```
Brocade# show mpls statistics 6pe vrf Red
VRF Name In-Port(s)    Endpt Out-Pkt    Tnl Out-Pkt
Red      e1/1 - e1/2    184116072       1697803327
         e1/3 - e1/4    389547885       6036111
         e2/1 - e2/24  1088610         0
         e2/25 - e2/48 0                248406
```

Syntax: show mpls statistics 6pe vrf *vrf name*

## 9 Displaying 6VPE information