

Extreme SLX-OS IP Multicast Configuration Guide, 20.1.1

Supporting ExtremeRouting and ExtremeSwitching
SLX 9640, SLX 9540, SLX 9150, and SLX 9250

9036291-00 Rev AA
February 2020



Copyright © 2020 Extreme Networks, Inc. All rights reserved.

Legal Notice

Extreme Networks, Inc. reserves the right to make changes in specifications and other information contained in this document and its website without prior notice. The reader should in all cases consult representatives of Extreme Networks to determine whether any such changes have been made.

The hardware, firmware, software or any specifications described or referred to in this document are subject to change without notice.

Trademarks

Extreme Networks and the Extreme Networks logo are trademarks or registered trademarks of Extreme Networks, Inc. in the United States and/or other countries.

All other names (including any product names) mentioned in this document are the property of their respective owners and may be trademarks or registered trademarks of their respective companies/owners.

For additional information on Extreme Networks trademarks, please see:

www.extremenetworks.com/company/legal/trademarks

Open Source Declarations

Some software files have been licensed under certain open source or third-party licenses. End-user license agreements and open source declarations can be found at:

www.extremenetworks.com/support/policies/software-licensing



Table of Contents

Preface.....	5
Text Conventions.....	5
Documentation and Training.....	7
Getting Help.....	7
Subscribe to Service Notifications.....	7
Providing Feedback.....	8
About This Document.....	9
Supported Hardware.....	9
IP Multicast.....	10
IP Multicast Overview.....	10
IP Multicast Snooping.....	10
IP Multicast Queries and Responses.....	11
IPv4 Multicast Routing.....	12
Internet Group Management Protocol.....	12
IGMP Versions.....	13
Change the IGMP Version.....	14
IGMP EVPN Routes.....	14
Disable the IGMP Router Alert Option.....	18
Configure IGMP SSM Mapping.....	18
Configure IGMPv2 SSM Mapping.....	19
IPv4 Protocol Independent Multicast.....	20
IPv4 PIM Over Secondary Addresses.....	20
IPv4 PIM-SM.....	21
Enable IPv4 PIM Globally.....	27
Configure Options on an IPv4 PIM Router.....	27
Configure Options on an IPv4 PIM Interface.....	28
Configure Options for IPv4 PIM Multi-VRF.....	28
Display IPv4 PIM Information.....	29
Explicitly Select the IPv4 PIM Rendezvous Point.....	31
IPv4 PIM Anycast RP.....	31
Configure the IPV4 PIM Anycast RP.....	32
IPv4 Multicast ECMP Dynamic Rebalance.....	33
Hash-based load distribution.....	34
Path failure behavior.....	34
New path behavior.....	35
Dynamic rebalancing.....	35
Considerations.....	35
Enable ECMP Dynamic Rebalance.....	35
Multicast Traceroute Diagnostics.....	35
Primary components of an mtrace implementation.....	36

Configure Mtrace.....	37
Layer 2 Multicast Over MCT.....	37
IGMP Query Packet Processing.....	38
IGMP Membership Reports.....	38
Duplicate IGMP Query Packets on CCEP.....	38
IGMP Leave.....	38
Mrouter Synchronization.....	38
Device Support.....	39
Layer 2 Multicast Traffic Forwarding.....	39
Optimal Traffic Forwarding.....	39
Layer 2 Multicast Data Encapsulation	39
Layer 3 Multicast over MCT.....	40
Device Support.....	40
IPv4 Multicast Traffic Reduction.....	41
IGMP Traffic Snooping.....	41
Multicast Routing and IGMP Snooping.....	41
Enable IGMP Snooping on a VLAN.....	42
Configure IGMP Snooping on a VLAN.....	42
Configure IGMP Snooping on a Bridge Domain.....	43
Monitor IGMP Snooping.....	44
IGMP Snooping and Unknown Multicast Traffic.....	45
Disable the IGMP Router Alert Option.....	46
IPv4 PIM-SM Traffic Snooping.....	46
Overview.....	46
Assumptions and Dependencies.....	47
PIM-SM Snooping on a Bridge Domain.....	47
PIM Snooping in an SSM Range.....	47
IPv4 PIM-SM Snooping Example.....	47
Enable IPv4 PIM Snooping on a VLAN.....	48
Enable IPv4 PIM Snooping on a Bridge Domain.....	48
PIM Multicast Router Presence Detection.....	49



Preface

This section describes the text conventions used in this document, where you can find additional information, and how you can provide feedback to us.

Text Conventions

Unless otherwise noted, information in this document applies to all supported environments for the products in question. Exceptions, like command keywords associated with a specific software version, are identified in the text.

When a feature, function, or operation pertains to a specific hardware product, the product name is used. When features, functions, and operations are the same across an entire product family, such as ExtremeSwitching switches or SLX routers, the product is referred to as *the switch* or *the router*.

Table 1: Notes and warnings




Icon	Notice type	Alerts you to...
	Tip	Helpful tips and notices for using the product.
	Note	Useful information or instructions.
	Important	Important features or instructions.

Table 1: Notes and warnings (continued)



Icon	Notice type	Alerts you to..
	Caution	Risk of personal injury, system damage, or loss of data.
	Warning	Risk of severe personal injury.

Table 2: Text

Convention	Description
screen displays	This typeface indicates command syntax, or represents information as it appears on the screen.
The words <i>enter</i> and <i>type</i>	When you see the word <i>enter</i> in this guide, you must type something, and then press the Return or Enter key. Do not press the Return or Enter key when an instruction simply says <i>type</i> .
Key names	Key names are written in boldface, for example Ctrl or Esc . If you must press two or more keys simultaneously, the key names are linked with a plus sign (+). Example: Press Ctrl+Alt+Del
Words in italicized type	Italics emphasize a point or denote new terms at the place where they are defined in the text. Italics are also used when referring to publication titles.
NEW!	New information. In a PDF, this is searchable text.

Table 3: Command syntax

Convention	Description
bold text	Bold text indicates command names, keywords, and command options.
<i>italic</i> text	Italic text indicates variable content.
[]	Syntax components displayed within square brackets are optional. Default responses to system prompts are enclosed in square brackets.
{ x y z }	A choice of required parameters is enclosed in curly brackets separated by vertical bars. You must select one of the options.
x y	A vertical bar separates mutually exclusive elements.
< >	Nonprinting characters, such as passwords, are enclosed in angle brackets.
...	Repeat the previous element, for example, <i>member</i> [<i>member</i> ...].
\	In command examples, the backslash indicates a “soft” line break. When a backslash separates two lines of a command input, enter the entire command at the prompt without the backslash.

Documentation and Training

Find Extreme Networks product information at the following locations:

[Current Product Documentation](#)

[Release Notes](#)

[Hardware/software compatibility matrices](#) for Campus and Edge products

[Supported transceivers and cables](#) for Data Center products

[Other resources](#), like white papers, data sheets, and case studies

Extreme Networks offers product training courses, both online and in person, as well as specialized certifications. For details, visit www.extremenetworks.com/education/.

Getting Help

If you require assistance, contact Extreme Networks using one of the following methods:

Extreme Portal

Search the GTAC (Global Technical Assistance Center) knowledge base; manage support cases and service contracts; download software; and obtain product licensing, training, and certifications.

The Hub

A forum for Extreme Networks customers to connect with one another, answer questions, and share ideas and feedback. This community is monitored by Extreme Networks employees, but is not intended to replace specific guidance from GTAC.

Call GTAC

For immediate support: (800) 998 2408 (toll-free in U.S. and Canada) or 1 (408) 579 2826. For the support phone number in your country, visit: www.extremenetworks.com/support/contact

Before contacting Extreme Networks for technical support, have the following information ready:

- Your Extreme Networks service contract number, or serial numbers for all involved Extreme Networks products
- A description of the failure
- A description of any actions already taken to resolve the problem
- A description of your network environment (such as layout, cable type, other relevant environmental information)
- Network load at the time of trouble (if known)
- The device history (for example, if you have returned the device before, or if this is a recurring problem)
- Any related RMA (Return Material Authorization) numbers

Subscribe to Service Notifications

You can subscribe to email notifications for product and software release announcements, Vulnerability Notices, and Service Notifications.

1. Go to www.extremenetworks.com/support/service-notification-form.
2. Complete the form (all fields are required).

3. Select the products for which you would like to receive notifications.

**Note**

You can modify your product selections or unsubscribe at any time.

4. Select **Submit**.

Providing Feedback

The Information Development team at Extreme Networks has made every effort to ensure the accuracy and completeness of this document. We are always striving to improve our documentation and help you work better, so we want to hear from you. We welcome all feedback, but we especially want to know about:

- Content errors, or confusing or conflicting information.
- Improvements that would help you find relevant information in the document.
- Broken links or usability issues.

If you would like to provide feedback, you can do so in three ways:

- In a web browser, select the feedback icon and complete the online feedback form.
- Access the feedback form at <https://www.extremenetworks.com/documentation-feedback/>.
- Email us at documentation@extremenetworks.com.

Provide the publication title, part number, and as much detail as possible, including the topic heading and page number if applicable, as well as your suggestions for improvement.



About This Document

[Supported Hardware](#) on page 9

Supported Hardware

For instances in which a topic or part of a topic applies to some devices but not to others, the topic specifically identifies the devices.

SLX-OS 20.1.1 supports the following hardware platforms.

- Devices based on the Broadcom XGS® chipset family:
 - ExtremeSwitching SLX 9250
 - ExtremeSwitching SLX 9150
- Devices based on the Broadcom DNX® chipset family:
 - ExtremeRouting SLX 9640
 - ExtremeSwitching SLX 9540



Note

Although many software and hardware configurations are tested and supported for this release, documenting all possible configurations and scenarios is beyond the scope of this document.

For information about other releases, see the documentation for those releases.



IP Multicast

[IP Multicast Overview](#) on page 10

[IP Multicast Snooping](#) on page 10

[IP Multicast Queries and Responses](#) on page 11

IP Multicast Overview

To receive and transmit multicast data, stations (clients) use multicast protocols to access a group or a channel over different networks. Distribution of stock quotes, video transmissions such as news services and remote classrooms, and video conferencing are all examples of applications that use multicast routing.

Extreme devices support the following multicast protocols: Protocol-Independent Multicast (PIM) and Internet Group Management Protocol (IGMP).

With the reverse path lookup and pruning features of PIM, source-specific multicast delivery trees reach all group members. Each source and destination host group has its own multicast tree.

IPv4 hosts use IGMP to report their multicast group memberships to immediate neighboring multicast routers.

For more information, see [IPv4 Multicast Routing](#) on page 12.

IP Multicast Snooping

A Layer 2 switch forwards all multicast control packets and data received on all the member ports of a VLAN interface. This simple approach is not bandwidth efficient, because only a subset of member ports may be connected to devices that want to receive these multicast packets. In a worst-case scenario, the data is forwarded to all port members of a VLAN even if only one VLAN member wants to receive the data. Such a scenario can lead to loss of throughput for switches that receive a high rate of multicast data traffic.

IGMP helps save bandwidth and throughput by forwarding traffic only to interested receivers. IGMP snooping provides the specification for forwarding IPv4 data traffic. For more information, see [IGMP Traffic Snooping](#) on page 41.

With PIM snooping, switches learn which multicast router ports need to receive multicast traffic. For more information, see [IPv4 PIM-SM Traffic Snooping](#) on page 46.

IP Multicast Queries and Responses

Multicast routers use IGMP to learn which groups have interested listeners on their attached physical networks. In a subnet, one multicast router is elected as an IGMP querier.

The querier sends queries to hosts. Hosts that are multicast listeners respond to the queries with requests to join or leave a multicast group. For more information, see [Internet Group Management Protocol](#) on page 12.



IPv4 Multicast Routing

- [Internet Group Management Protocol on page 12](#)
- [IPv4 Protocol Independent Multicast on page 20](#)
- [IPv4 Multicast ECMP Dynamic Rebalance on page 33](#)
- [Multicast Traceroute Diagnostics on page 35](#)
- [Layer 2 Multicast Over MCT on page 37](#)
- [Layer 2 Multicast Traffic Forwarding on page 39](#)
- [Layer 2 Multicast Data Encapsulation on page 39](#)
- [Layer 3 Multicast over MCT on page 40](#)

Internet Group Management Protocol

The Internet Group Management Protocol (IGMP) allows an IPv4 system to communicate IP multicast group membership information to its neighboring routers. The routers, in turn, limit the multicast of IP packets with multicast destination addresses to only those interfaces on the router that are identified as IP multicast group members.

In IGMPv2, when a router sends a query to the interfaces, the clients on the interfaces respond with a membership report of multicast groups to the router. The router can then send traffic to these groups, regardless of the traffic source. When an interface no longer needs to receive traffic from a group, it sends a leave message to the router, which in turn sends a group-specific query to that interface to see if any other clients on the same interface are still active.

In contrast, IGMPv3 provides selective filtering of traffic based on the traffic source. A router running IGMPv3 sends queries to every multicast-enabled interface at the specified interval. These general queries determine if any interface wants to receive traffic from the router.

There are different types of query messages.

- **General Query:** Sent by a multicast router to learn the complete multicast reception state of the neighboring interfaces. In this query, both the Group Address field and the Number of Sources (N) field are zero.
- **Group-Specific Query:** Sent by a multicast router to learn the reception state, with respect to one multicast address, of the neighboring interfaces. In this query, the Group Address field contains the multicast address of interest, and the Number of Sources (N) field contains zero.
- **Group-and-Source-Specific Query:** Sent by a multicast router to learn whether neighboring interfaces want to receive packets sent to a specified multicast address, from any of a specified list of sources. In this query, the Group Address field contains the multicast address of interest, and the Source Address fields contain the source addresses of interest.

Interfaces respond to these queries by sending a membership report that contains one or more of the following records that are associated with a specific group.

- The current-state record indicates from which sources the interface wants to receive and not receive traffic. The record contains the source address of the interfaces and whether traffic will be received or included (IS_IN) or not received or excluded (IS_EX) from that source.
- The filter-mode-change record indicates that if the interface changes its current state from IS_IN to IS_EX, a TO_EX record is included in the membership report. Likewise, if the interface changes its current status from IS_EX to IS_IN, a TO_IN record appears in the membership report.
- The IGMPv2 Leave report is equivalent to a TO_IN (empty) record in IGMPv3. This record indicates that no traffic from this group will be received regardless of the source.
- The IGMPv2 group report is equivalent to an IS_EX (empty) record in IGMPv3. This record indicates that all traffic from this group will be received regardless of the source.
- The source-list-change record indicates that if the interface wants to add or remove traffic sources from its membership report, the membership report can have an ALLOW record, which contains a list of new sources from which the interface wishes to receive traffic. It can also contain a BLOCK record, which lists current traffic sources from which the interface wants to stop receiving traffic.

In response to membership reports from the interfaces, the router sends a Group-Specific Query or a Group-and-Source Specific Query to the multicast interfaces. For example, a router receives a membership report with a source-list-change record to block old sources from an interface. The router sends Group-and-Source Specific Queries to the source-group pair (S,G) identified in the record. If none of the interfaces is interested in the (S,G), it is removed from the (S,G) list for that interface on the router.

Each IGMPv3-enabled router maintains a record of the state of each group and each physical port in a virtual routing interface. This record contains the group, group-timer, filter mode, and source records information for the group or interface. Source records contain information about the source address of the packet and source timer. If the source timer expires when the state of the group or interface is in include mode, the record is removed.

IGMP Versions

Default IGMP Version

IGMPv2 is enabled by default when snooping or multicast routing are enabled on the system.

You can specify which version of IGMP you want to run on a device on a per-VLAN basis. You can change the IGMP version for router ports, but not for VE interfaces. If you do not specify an IGMP version, IGMPv2 is used.

Compatibility Between IGMPv1 and IGMPv2

Different multicast groups, interfaces, and routers can run their own versions of IGMP. The version of IGMP is reflected in the membership reports that the hosts send to the router. Routers and interfaces must be configured to recognize the version of IGMP you want them to process.

Interfaces can recognize a query or report that has a different version. For example, an interface running IGMPv2 can recognize IGMPv3 packets, but cannot process them. When the router sends out IGMP queries over an IGMPv2 interface, the equal or lower version of reports is supported. A higher version of reports is not supported.

Reports sent by interfaces to routers that contain different versions of IGMP do not trigger warning messages. The version of IGMP can be specified per interface (physical port or virtual routing interface) and per physical port in a virtual routing interface.

The IGMP version on a Layer 3 physical interface or under a VLAN of the virtual routing interface supersedes the version on a physical or virtual routing interface.

Change the IGMP Version

You can change the IGMP version for a interface or VLAN.

1. Enter global configuration mode.

```
device# configure terminal
```

2. Enter interface configuration mode.

```
device(config)# interface ethernet 0/5
```

3. Specify the IGMP version. This example changes the version to 3.

```
device(config-if-0/5)# ip igmp version 3
```

IGMP EVPN Routes

In data center (DC) applications, Ethernet VPN (EVPN) is used to standardize inter-PoD communication for both intra-DC and inter-DC applications.

A subnet can span multiple points of delivery (PoD) and DCs. EVPN provides a robust multitenant solution with extensive multihoming capabilities to stretch a subnet (VLAN) across multiple PoDs and DCs. Many hosts or VMs (up to several hundred) can be attached to a subnet that is stretched across several PoDs and DCs.

Hosts or VMs express their interest in multicast groups on a subnet or VLAN by sending IGMP membership reports (Joins) for their interested multicast groups. Also, an IGMP router (for example, IGMPv1) periodically sends membership queries to determine whether any hosts on that subnet still want to receive multicast traffic for that group.

The ARP (Address Resolution Protocol) and NDP (Network Discovery Protocol) suppression mechanism in EVPN reduces the flooding of ARP messages over EVPN. Reducing the flood of IGMP messages (both Queries and Reports) over EVPN is achieved through IGMP Join Sync and IGMP Leave Sync routes as specified in the IETF draft [IGMP and MLD Proxy for EVPN](#).

Table 4: EVPN routes

EVPN route type	Route name	Purpose
7	IGMP Join Sync Route	To exchange (S,G)/(*,G) learned on BGP EVPN peers.
8	IGMP Leave Sync Route	To exchange group leave between BGP EVPN peers.

IGMP Join Sync Route Packets and Flags

A multicast group is assigned a multicast address (that is, an IP address in the 224.0.0.0/4 class D address space). Hosts registered to receive the stream join the group by sending an IGMP report to the

upstream multicast router. The router then adds that group to the list of multicast groups that should be forwarded onto the local subnet.

The router does not maintain state about which hosts on the subnet are to receive traffic for the group. Instead, the router continues to send traffic to the subnet until either a timeout expires or there are no more hosts in that group on the subnet.

Table 5: IGMP Join Sync route packets

Packets	Description
RD (8 Octets)	Route Distinguisher
Ethernet Segment Identifier (10 Octets)	0 if (S,G) / (*,G) is learned on Cluster Edge Port (CEP)
Ethernet Tag ID (4 octets)	0 or optionally set to the VLAN ID over which a multicast route is learned
Multicast Source Length (1 octet)	32 for IPv4 address and 0 for wildcard address (*)
Multicast Source Address (variable)	IP address of multicast source
Multicast Group Length (1 octet)	32 for IPv4 address
Multicast Group Address (variable)	IP address of multicast group
Originator Router Length (1 octet)	32 for IPv4 address
Originator Router Address (variable)	The IP address of the originating router
Flags (1 octets) (optional)	The flag fields are defined in the <i>Flags and values</i> table.

Table 6: Parameters

Parameter	Value
Querier Config Sync	Multicast Group is set to 224.0.0.2.
Mrouter Sync	Multicast Group is set to 224.0.0.1.

Table 6: Parameters (continued)

Parameter	Value
Originator router length	IPv4 addresses: 32
Originator router address	IP address of the originating router

Table 7: Flags and values

0	1	2	3	4	5	6	7
Reserved	Querier config sync	Mrouter sync	PIM snooping	IE	V3	V2	V1
	Bit 1: QuerierConfigSync	Bit 2: MrouterSync	Bit 3: PIM snooping	Bit 4: (S, G) information carries the route-type of Include Group (bit value 0) or Exclude Group (bit value 1). The Exclude Group is ignored if bit 5 is set for IGMP v2, IGMP v1.	Bit 5: support for IGMP v3	Bit 6: support for IGMP v2	Bit 7: support IGMP v1
Bits 1, 2, and 3 are proprietary fields.							

IGMP Leave Sync Route Packets and Flags

A host sends an IGMP Leave message to stop receiving multicast traffic. After receiving the Leave message, the router sends a query to the local subnet to determine whether any group members remain, sending the message to all hosts on the subnet at the multicast All-Hosts address (224.0.0.1). If a host responds, the router continues to send to the group. If no host responds, the router removes the multicast group from its forwarding list and stops sending to the group.

**Note**

Leave Group synchronization and maximum response times are used during Leave Group procedures.

Table 8: IGMP Leave Sync route packets

Packets	Description
RD (8 Octets)	
Ethernet Segment Identifier (10 octets)	0 if (S,G) / (*,G) is learned on CEP
Ethernet Tag ID (4 octets)	0 or optionally, set to the VLAN ID over which the multicast route is learned
Multicast Source Length (1 octet)	32 for IPv4 address and 0 for wildcard address (*)
Multicast Source Address (variable)	IP address of multicast source
Multicast Group Length (1 octet)	32 for IPv4 address
Multicast Group Address (variable)	IP address of multicast group

Table 8: IGMP Leave Sync route packets (continued)

Packets	Description
Originator Router Length (1 octet)	32 for IPv4 address
Originator Router Address (variable)	The IP address of the originating router
Leave Group Synchronization # (4 octets)	Leave group synchronization
Maximum Response Time (1 octet)	The maximum response time
Flags (1 octets) (optional)	The flag fields are defined in the following table

Table 9: Flags

0	1	2	3	4	5	6	7
Reserved	Reserved	Reserved	Reserved	IE	V3	V2	V1
				Bit 4: (S, G) information carries the route-type of Include Group (bit value 0) or Exclude Group (bit value 1). The Exclude Group is ignored if bit 5 is set for IGMP v2, IGMP v1.	Bit 5: support for IGMP v3	Bit 6: support for IGMP v2	Bit 7: support for IGMP v1
Bits 0, 1, 2, and 3 are reserved and used.							

IGMP Join Group and Leave Group Process

IGMP routes are originated by IGMP module and are sent to L2RIB (MCT module) through RIB-LIB and transported to MCT Peers. IGMP Routes received from the remote peers are added to L2 RIB table in MCT and forwarded to IGMP through RIB-LIB.

Currently IGMP EVPN routes sent to MCT L2RIB are not exchanged with BGP. In future, this solution will be extended to support Multicast over BGP-EVPN, where MCT will exchange IGMP EVPN Routes with BGP and MCT Peers.

EVI Route Target Extended Community

The EVI RT is an EVPN extended community of Type 6 and a subtype yet to be defined by IANA. The EVI RT extended community is NOT supported for IGMP routes.

Instead, the RT extended community with Type 0x00 and Subtype 0x02 is supported. This extended community carries the RT associated with the EVI (VLAN or bridge domain), so that the receiving PE can identify the EVI properly.

ES-Import Route Target Extended Community

ES-Import (ES-I) Route Target (RT) is an EVPN extended community of Type 0x06 and Subtype 0x02. The 6-byte value calculated is based on the ES-Import.

The IGMP Join and Leave Sync routes carry the ES-Import RT for the ES on which the IGMP membership report was received. The report goes only to the PEs attached to that ES.

Encapsulation Support

Only the VXLAN tunnel encapsulation type is supported. MPLS is not supported for ICLs in MCT scenarios.

Disable the IGMP Router Alert Option

By default, IGMP snooping checks for the presence of the router alert option in the IP packet header of an IGMP message. Packets that do not include this option are dropped. When you disable the router alert, you also disable the snooping check for the presence of the router alert option.

1. Enter global configuration mode.

```
device# configure terminal
```

2. Disable the router alert option.

```
device(config)# ip igmp router-alert-check-disable
```

Configure IGMP SSM Mapping

With Source-Specific Multicast (SSM) mapping, a host receives multicast traffic directly from identified sources.

1. Enter global configuration mode.

```
device# configure terminal
```

2. Enter VLAN configuration mode.

```
device (config)# vlan 101
```

3. Configure the IGMP query interval for the VLAN.

```
device (config-vlan-101)# ip igmp snooping query-interval 101
```

4. Configure the prefix list, which contains the IP addresses to map.

```
device (config)# ip igmp ssm-map ?
Possible completions:
      <Word:1-32>      IP prefix-list name
      enable           Enables IGMPv2 SSM Mapping
```

5. Configure SSM mapping, which associates an IGMPv1 or IGMPv2 report packet with the configured source address, which is 203.0.0.1 in this example.

```
device (config-vlan-101)# ip igmp ssm-map enab
device (config-vlan-101)# ip igmp ssm-map prefix-list1 203.0.0.1
device (config-vlan-101)# show ip igmp ssm-map
Fri Jul 21 11:30:06.878 UTC-07:00
+-----+-----+
|          PrefixList Name          | Source Address |
+-----+-----+
| prefix-list1                      | 203.0.0.1     |
```

6. Specify the SSM group range, which is 238.0.0.0/8 in this example.

```

device (config-router-pim-vrf-default-vrf)# router pim
device (config-router-pim-vrf-default-vrf)# ssm-enable
device (config-router-pim-vrf-default-vrf)# ssm-enable range prefix-list1
device# show ip pim settings
Fri Jul 21 11:31:45.333 UTC-07:00
vrf : default-vrf
  Maximum mcache           : 32768      Current Count           : 0
  Hello interval          : 30          Neighbor timeout        : 105
  Join/Prune interval     : 60          Inactivity interval     : 180
  Hardware drop enabled   : 1           Prune wait interval    : 3
  Register Suppress Time  : 60          Register Probe Time     : 10
  Register Stop Delay     : 0           Register Suppress interval : 0
  SSM Enabled              : Yes         SPT Threshold           : 1
  SSM Group Range         : 232.0.0.0/8
  SSM Range Prefix_name   : prefix-list1
  Route Precedence        : uc-non-default uc-default none

```

This example sends an IGMPv2 report for group 238.0.0.1.

```

device # show ip igmp group
Total Number of Groups: 1
IGMP Connected Group Membership
Group Address      Interface          Uptime      Expires      Last Reporter     Version
238.0.0.1         vlan101           00:04:40    00:03:31    101.0.0.10       3
  Member Ports:   eth0/2

device # show ip igmp group detail
Group : 238.0.0.1
  Interface       vlan101
  Uptime          00:04:53
  Expires:        00:03:18
  Last Reporter:  101.0.0.10
  Member Ports:   eth0/2
  Last Reporter Mode: 3
  Interface : eth0/2
                INCL_SRC_LIST: 203.0.0.1
                EXCL_SRC_LIST: Nil

device # show ip pim mc
Fri Jul 21 11:58:17.278 UTC-07:00
Total entries in mcache: 1
1 (203.0.0.1, 238.0.0.1) in Eth 0/16, Uptime 00:05:23
  SSM=1, RPT=0 SPT=1 Reg=0 RegSupp=0 RegProbe=0 JDU=1 LSrc=0 LRcv=1
  upstream neighbor=91.0.0.2
  AgeSltMsk: 0 KAT timer: Expired
  num_oifs = 1
    Ve101(00:05:23/0) Flags: MI
  Flags (0x080684d4)
    ssm=1 needRte=0

```

Configure IGMPv2 SSM Mapping

Source-Specific Multicast (SSM) requires all IGMP hosts to send IGMPv3 reports, which creates a compatibility issue with IGMPv2 hosts. In particular, reports from an IGMPv2 host contain a Group Multicast Address but do not contain source addresses. The IGMPv3 reports contain both the Group Multicast Address and one or more source addresses. Use the **ip igmp ssm-map** command and a properly configured prefix list to convert IGMPv2 reports into IGMPv3 reports.

The prefix list filters for the group multicast address. The prefix list is then associated with one or more source addresses. When the `ip igmp ssm-map enable` command is configured, IGMPv3 reports are sent for IGMPv2 hosts.

1. Enter global configuration mode.

```
device# configure terminal
```

2. Enable SSM mapping.

```
device(config)# ip igmp ssm-map enable
```

This example configures the SSM map at the global configuration level.

```
device(config)# ip igmp ssm-map enable
device(config)# ip igmp ssm-map ssm-map-230-to-232 203.0.0.10
device(config)# ip igmp ssm-map ssm-map-233-to-234 204.0.0.10
```

This example configures the prefix list for an SSM range.

```
device(config)# ip prefix-list ssm-map-230-to-232 seq 5 permit 230.0.0.0/8
device(config)# ip prefix-list ssm-map-230-to-232 seq 10 permit 231.0.0.0/8
device(config)# ip prefix-list ssm-map-230-to-232 seq 15 permit 232.0.0.0/8

device(config)# ip prefix-list ssm-map-233-to-234 seq 5 permit 233.0.0.0/8
device(config)# ip prefix-list ssm-map-233-to-234 seq 10 permit 234.0.0.0/8
device(config)# ip prefix-list ssm-map-230-to-232 seq 15 permit 232.0.0.0/8
```

IPv4 Protocol Independent Multicast

IP multicast transmits a data stream to multiple hosts simultaneously. Protocol-Independent Multicast (PIM) is one of several protocols designed for IP multicast. PIM does not rely on a specific routing protocol to create its network topology state. Instead, PIM uses routing information supplied by other traditional routing protocols, such as Open Shortest Path First, Border Gateway Protocol, and Multicast Source Discovery Protocol.

PIM messages are sent encapsulated in an IP packet where the IP protocol is 103. Depending on the type of message, packets are sent to the PIM All-Router-Multicast address (224.0.0.13) or sent as unicast to a specific host.

With PIM, a source sends the same information to multiple receivers by using one stream of traffic. With its processing load minimized, the source needs to maintain only one session irrespective of the number of actual receivers. The load on the IP network is also minimized, because packets are sent only on links that lead to an interested receiver.

Extreme Networks supports PIM-SM (Sparse Mode) and PIM-SSM (Source Specific Multicast). PIM-SM explicitly builds unidirectional shared trees that are rooted at a rendezvous point (RP) for a group, and, optionally, creates shortest-path trees per source.

IPv4 PIM Over Secondary Addresses

Overview

Extreme devices support PIM over secondary addresses in an IPv4 environment by using an IPv4 address with a secondary keyword.

When a secondary address is configured on a interface, all secondary addresses on the interface are sent out on the PIM Hello using the secondary address option.

When a receiver uses a secondary address as its source and sends a IGMP group report, the PIM Join and Prune messages are propagated up the network.

When a secondary address is configured as a Rendezvous Point (RP), the packets are processed appropriately.

Displaying the Secondary Address

In this example, the PIM neighbor on VE10 has multiple IP addresses configured on the interface.

```
device# show ip pim neighbor
Total Number of Neighbors : 1
Port          Phy_Port      Neighbor          Holdtime Age          UpTime  Priority
sec          sec          Dd HH:MM:SS
Ve10         Ve10          10.10.10.17      105      10          00:26:10      1
              +20.20.20.21
```

IPv4 PIM-SM

PIM-SM (Sparse Mode) is most effective in large networks in which few hosts receive multicast traffic. IPv4 PIM-SM devices are organized into domains. A PIM-SM domain is a contiguous set of devices that all implement PIM and are configured to operate in a common boundary.

In PIM-SM, unidirectional, shared distribution trees are rooted at a common node in the network called the rendezvous point (RP). The RP acts as the messenger between the source and the destination hosts or routers. An RP is configured statically per PIM router or by means of a bootstrap router (BSR). The RP must always be upstream from the destination hosts or routers.

Hosts and routers send Join messages to the RP for the group. To reduce the number of Join messages incoming to an RP, the local network selects one of its upstream routers as the designated router (DR). All hosts below a DR send Join messages to the DR. The DR sends only one Join message to the RP on behalf of its interested hosts.

IPv4 PIM-SM, you can create a source-based distribution tree, which is rooted at the router that is adjacent to the source. With this option, destination hosts can switch from the shared tree to the source-based tree if the latter has a shorter path between the source and the destination.

PIM-SM Device Types

Devices configured with PIM-SM interfaces can fill one or more roles.

Bootstrap router (BSR)

A router that distributes rendezvous point (RP) information to the other PIM-SM devices in the domain. Each PIM-SM domain has one active BSR. For redundancy, you can configure ports on multiple devices as candidate BSRs (C-BSRs). PIM-SM uses an election process to select one C-BSR as the BSR for the domain. The BSR with the highest BSR priority (a user-configurable parameter) is elected. If the priorities result in a tie, then the C-BSR interface with the highest IP address is elected.

The BSR must be configured as part of the Layer 3 core network.

For more information, see [Bootstrap Router Protocol](#) on page 22.

Rendezvous point (RP)

The meeting point for PIM-SM sources and receivers. A PIM-SM domain can have multiple RPs, but each PIM-SM multicast group address can have only one active RP. PIM-SM devices learn the addresses of RPs and the groups for which they are responsible from messages that the BSR sends to each PIM-SM device.

The RP must be configured as part of the Layer 3 core network.

A best practice is to configure the same ports as C-BSRs and RPs.

Designated router (DR)

Hosts and routers send Join messages to the RP for the group in which they are interested. The local network selects one of its upstream routers as the DR. All hosts below a DR send IGMP Join messages to the DR. The DR sends only one Join message to the RP on behalf of all its interested hosts. The RP receives the first few packets of the multicast stream, encapsulated in the PIM register message, from the source hosts. These messages are sent as a unicast to the RP. The RP decapsulates these packets and forwards them to the respective DRs.

DR election is based first on the router with the highest configured DR priority for an interface and next on the router with the highest IP address. You can use the `ip pim dr-priority` command to configure DR priority.

Bootstrap Router Protocol

In PIM-SM, every PIM router must know the rendezvous point (RP) in the network, so that it can map multicast groups to the available RP addresses. The Bootstrap Router (BSR) Protocol is a mechanism by which a PIM router learns the RP information.

An RP address is the root of a multicast group-specific distribution tree, the branches of which extend to all the nodes interested in receiving the traffic for that multicast group. All PIM routes use the same group-to-RP address mapping, allowing multicast sources to reach all receivers. Each node learns the same RP information using the following methods.

- Statically configuring the RP information on each PIM router
- Using the BSR protocol, which distributes the RP information to each PIM router

Some PIM routers act as candidate RPs (C-RPs), of which one C-RP is elected as RP for a particular group range. Some PIM routers are configured as candidate BSRs (C-BSRs), of which one is elected as the BSR. All PIM routers learn the elected BSR through bootstrap messages (BSMs). All C-RPs then report to the elected BSR, which forms the RP-set available in the network and distributes it to all the PIM routers. All PIM routers eventually have the same RP-set information.

The BSR protocol mechanism converges in the following phases.

- BSR election
- Candidate RP advertisement and RP-set formation
- RP-set distribution

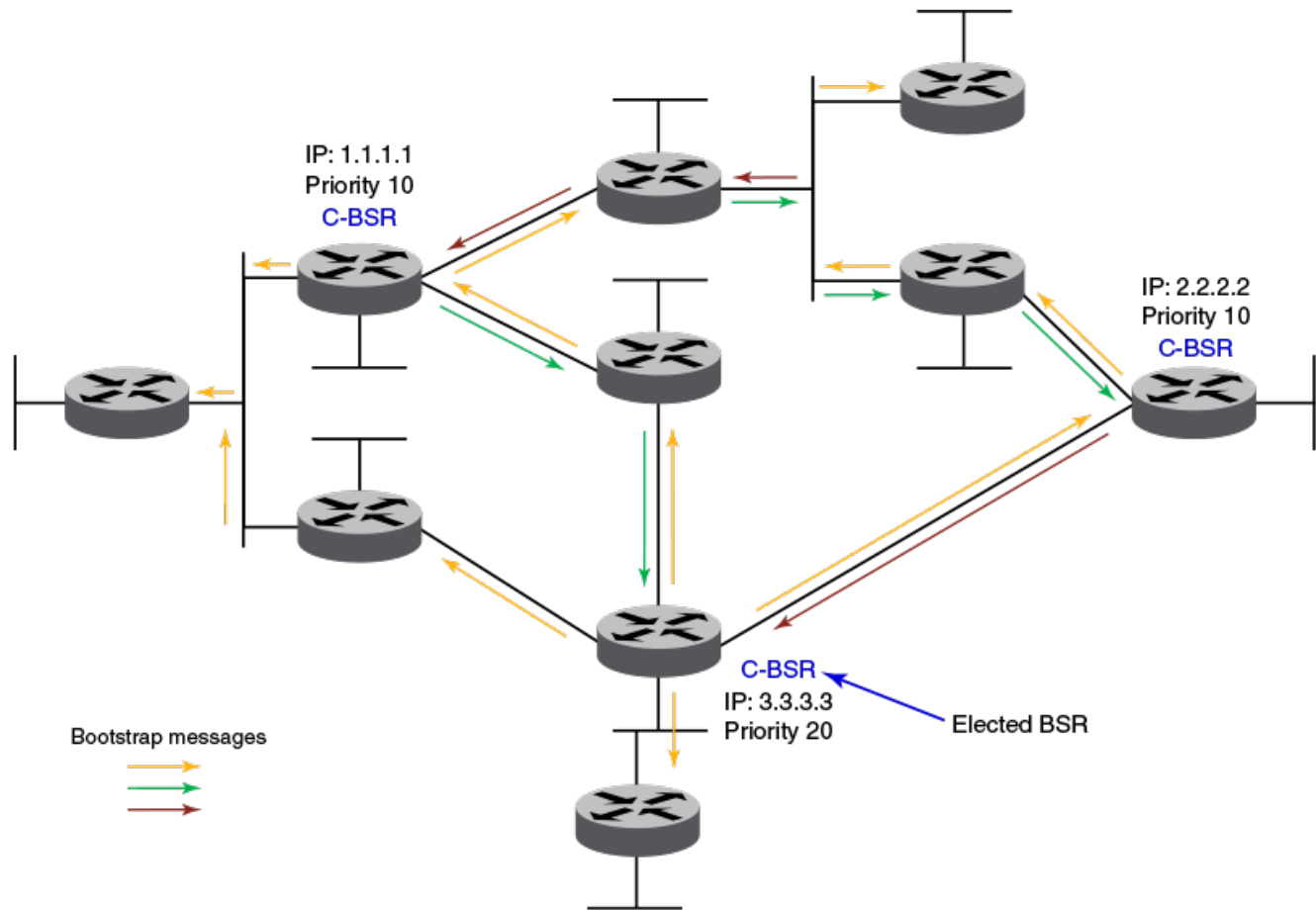


Figure 1: BSR election

Each candidate BSR periodically generates a BSM, which carries the configured BSR priority. Every PIM router in the domain floods these BSMs. Other C-BSRs that receive a BSM with higher priority suppress their own BSMs. Eventually, there is only one C-BSR with BSMs that flood periodically into the network. This lone C-BSR becomes the elected BSR and its BSM informs all routers that it is the elected BSR.

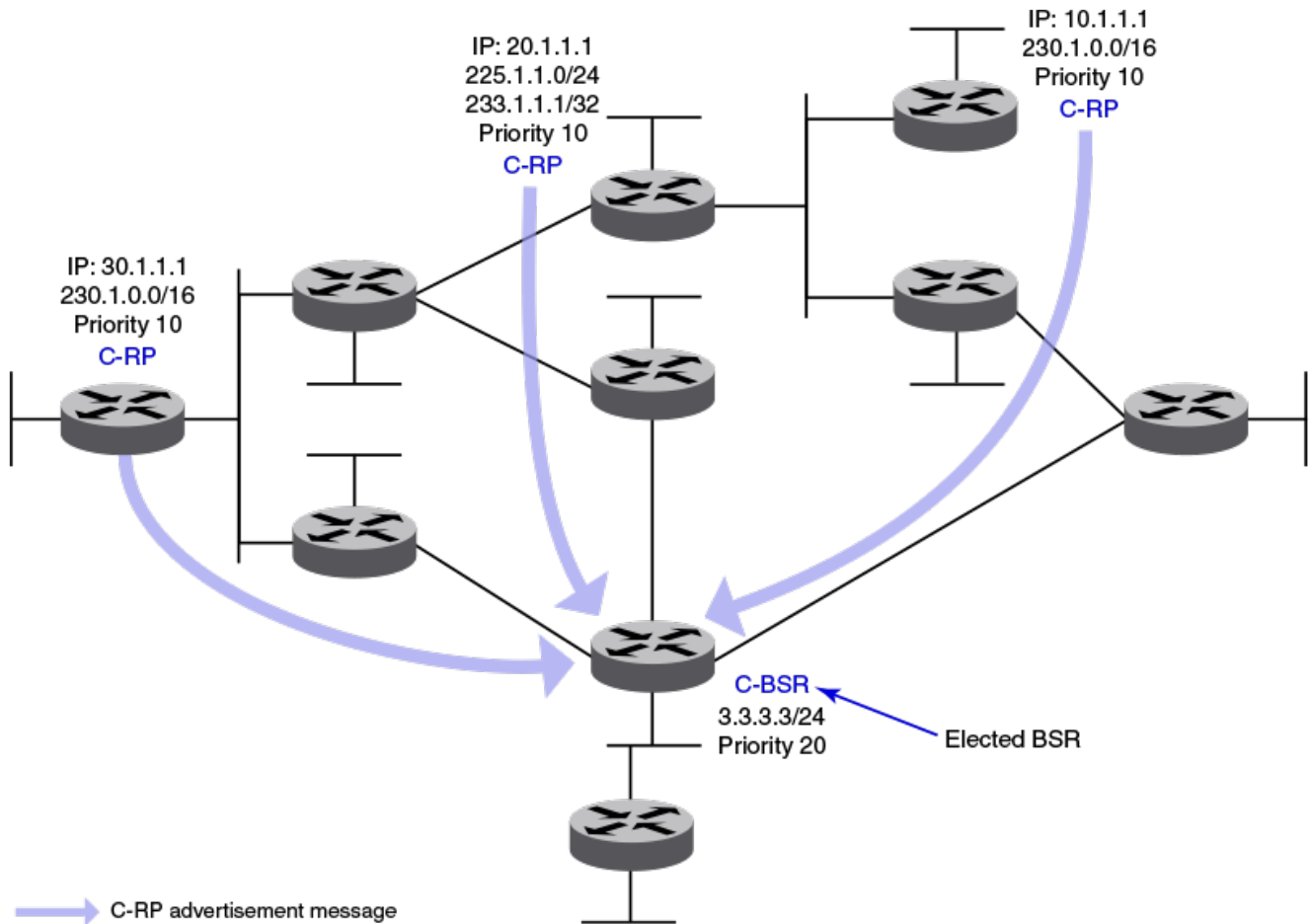


Figure 2: Candidate RP advertisement and RP-set formation

Each C-RP sends periodic candidate RP advertisement (C-RP-Adv) messages to the elected BSR. These messages contain the candidate's priority and a list of multicast group ranges for which this C-RP wants to act as RP. The messages also carry a hold time, after which the BSR discards this C-RP. In this way, the elected BSR learns about all C-RPs that are up and reachable. When the BSR starts receiving C-RP advertisements, it builds the RP-set information. This RP-set contains the list for multicast group ranges and C-RP addresses available for each of these group ranges, along with their respective priorities and hold times.

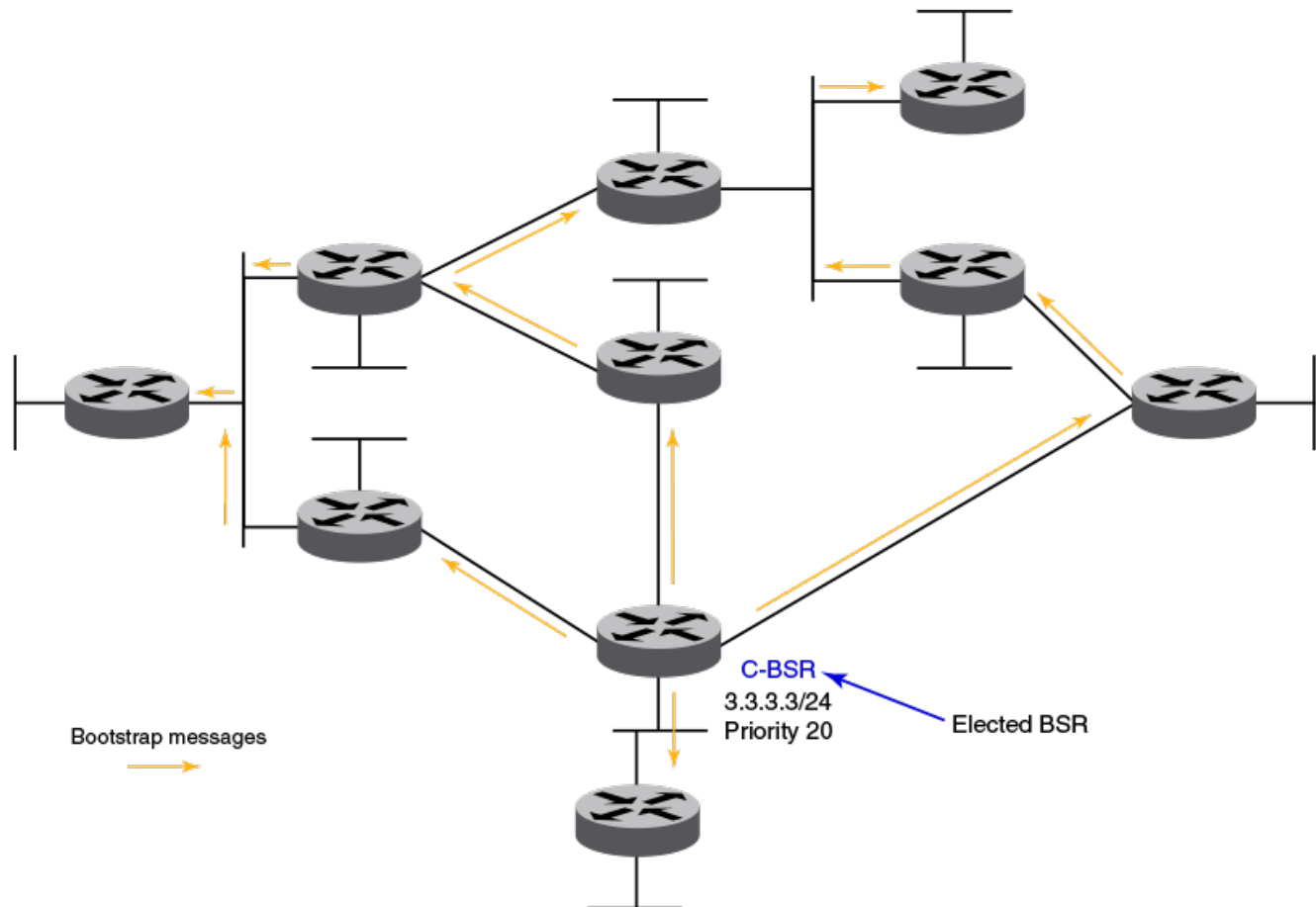


Figure 3: RP-set distribution

The RP-set built by the BSR is sent through the same BSM message. Because these BSMs are flooded, the RP-set information rapidly reaches each PIM router. When a PIM router receives the RP-set, it adds all group-to-RP mappings to its pool of mappings, also created from static RP configurations. Every PIM router runs the same RP hash algorithm to ensure the same C-RP is elected for a particular multicast group throughout the domain. In this way, all PIM routers can build the multicast group-specific distribution tree rooted to the same RP.

BSR Timers and Values

The BSR mechanism uses timers to ensure that the protocol provides reliability and faster convergence. These timers can be configured.

Timer	Default value	Description
Bootstrap message interval	60 seconds	The interval after which a BSM is generated by a BSR.
Bootstrap timeout	130 seconds	The interval after which a BSR times out if no BSM is received from it.
Bootstrap minimum interval	10 seconds	The minimum interval after which a BSR should send a BSM.

Timer	Default value	Description
C-RP mapping expiry timer	From message	Hold time from a C-RP advertisement message. The hold time for C-RP is 2.5 times the RP advertisement interval.
RP mapping expiry timer	From message	Hold time from BSM.
Candidate RP advertisement interval	60 seconds	The interval after which a C-RP generates an advertisement message to the BSR.

RP Election Algorithm (Group-to-RP Hashing)

The RP-set information received from the BSR is stored locally and updated by each PIM router periodically upon receiving BSMs. This RP-set contains the list for group prefixes and the corresponding list for C-RP for each group prefix.

The following steps explain the RP election process for a multicast group address.

1. A longest match look-up is performed on all the group prefixes in the RP-set.
2. If the look-up finds more than one C-RP, the C-RP with the lowest priority is elected.
3. If more than one C-RP has the same lowest priority, the BSR hash function is used to elect the RP.
4. If the hash functions return the same hash value for more than one C-RP, the C-RP with the highest IP address is elected.

Loopback Interfaces as RPs

Because loopback interfaces are operationally always up, it is preferable to use them as RPs. All existing PIM-SM protocol features are supported on loopback interfaces. Layer 3-enabled loopback interfaces can act as static RPs or candidate-RPs. They can also be configured as candidate-BSRs.

PIM-SM and PIM-SSM for Layer 3 Multicast Over MCT

Overview

PIM Sparse Mode (PIM-SM) and PIM Source Specific Multicast (PIM-SSM) are supported without synchronizing PIM-SM or PIM-SSM states across the multichassis tunnel (MCT) cluster.

The PIM snooping mechanism snoops the Join and Prune messages that are exchanged in the MCT VLANs and learns the interested VLAN member interfaces. Optimal traffic forwarding is achieved with PIM snooping states synchronized between the MCT peers, using the BGP EVPN Join Sync method.

The Reverse Path Forwarding (RPF) check and L3 multicast route lookup are based on the unicast routing protocol running in the MCT cluster.

PIM-SM and PIM-SSM Behavior in MCT

PIM-SM and PIM-SSM can be enabled on VLAN router interfaces that are extended over MCT. These VE interfaces act as normal PIM routers, and converge just like any PIM router in an L3 domain. PIM-enabled VE interfaces on these MCT VLANs see each other as peers. They can exchange Join and Prune messages natively to form the L3 multicast forwarding tree over the interchassis link (ICL).

PIM-SM and PIM-SSM control traffic travels over the ICL link of the cluster, encapsulated with the tunnel encapsulation method used by MCT. For example MPLS/VxLAN.

For PIM-SM, any MCT node can be the rendezvous point (RP) and root of the shared multicast tree. This RP can be a PIM router on a VE interface for any extended VLAN, or it can be any other PIM-enabled L3 interface on the MCT node. Generally a PIM-enabled loopback interface performs the RP functionalities. All other functions of PIM are supported natively, such as FHR source registration, LHR thresholding and SPT switch-over, BSR protocol, and Anycast RP functionality.

Mrouter Detection and FHR Source Registration

The PIM Hello packet over ICL is snooped for multicast router (mrouter) detection. With this information, traffic from a directly connected multicast source in the MCT VLAN, which has a non-designated router (DR) PIM router interface, can forward on the ICL port that was learned as mrouter. The PIM-DR on the other MCT node can see the source traffic and perform the FHR functionality, which registers the multicast source with the RP.

Enable IPv4 PIM Globally

The **router pim** command enables IPv4 PIM routing and enters PIM router configuration mode.

1. Enter global configuration mode.

```
device# configure terminal
```

2. Enable IPv4 PIM and enter router configuration mode.

```
device(config)# router pim
device(config-pim-router)#
```

Configure Options on an IPv4 PIM Router

When IPv4 PIM is enabled globally, you can configure several PIM options for a router. The following steps configure the default VRF. To configure a specific VRF, see [Configure Options for IPv4 PIM Multi-VRF](#) on page 28.

1. Enter global configuration mode.

```
device# configure terminal
```

2. Enter router configuration mode.

```
device(config)# router pim
device(config-router-pim-vrf-default-vrf)#
```

3. Run the following commands as needed.

- a. Configure the frequency with which a device sends PIM hello messages to its neighbors.

```
hello-interval 40
```

- b. Configure the length of time a PIM device waits for hello messages before considering a neighbor to be absent.

```
nbr-timeout 160
```

- c. Configure a bootstrap router as a candidate RP.

```
bsr-candidate interface loopback 11 mask 32
```

- d. Configure the length of time a PIM device waits to stop traffic after receiving a Leave message.

```
prune-wait 5
```

- e. Configure the frequency with which PIM Join and Prune messages are sent.

```
message-interval 180
```

- f. Configure sources to use the shared RP tree instead of the Shortest Path Tree.

```
spt-threshold infinity
```

- g. Configure sources to use the Shortest Path Tree instead of the shared RP tree.

```
no spt-threshold
```

- h. Enable Source-Specific Multicast mode for a specific address range

```
ssm-enable range PL_ssm_range-230-to-234
```

- i. Enable Source-Specific Multicast mode for the default address range of 232.0.0.0/8. This default range is displayed in the **show ip pim settings** output.

```
ssm-enable
```

Configure Options on an IPv4 PIM Interface

When IPv4 PIM is enabled globally, you can configure PIM options for an interface (Ethernet, loopback, or VE).

1. Enter global configuration mode.

```
device# configure terminal
```

2. Enter device configuration mode.

```
device(config)# interface ethernet 0/1
```

3. Run the following commands as needed.

For more information, including examples, see the *Extreme SLX-OS Command Reference*.

- a. Enable IPv4 PIM on an interface.

```
device(config-if-eth-0/1)# ip pim-sparse
```

- b. Specify the designated router (DR) priority of an IPv4 PIM interface.

```
device(config-if-eth-0/1)# ip pim dr-priority 200
```

- c. Configure the Time to Live (TTL) threshold for an IPv4 PIM interface.

```
device(config-if-eth-0/1)# ip pim ttl-threshold 50
```

Configure Options for IPv4 PIM Multi-VRF

With multi-VRF (Virtual Routing and Forwarding) support, all Layer 3 multicast protocols operate as separate instances, per VRF, depending on the VRF-specific multicast configuration. All the required configuration and mcast routing tables have multiple instances, per VRF, and function simultaneously, allowing network paths to be segmented without using multiple routers.

Multi-VRF supports multiple instances of Layer 3 multicast protocols on the same router at the same time. When IPv4 PIM is enabled globally, you can configure various options for IPv4 multicast over multi-VRF, such as the rendezvous point and the PIM hello interval.

1. Enter global configuration mode.

```
device# configure terminal
```

2. Enter router configuration mode for the VRF.

```
device(config)# router pim vrf red
device(config-router-pim-vrf-red)#
```

- Run the following commands as needed.

For more information, including more examples, see the *Extreme SLX-OS Command Reference*.

- Configure a device interface as a rendezvous point (RP).

```
rp-address 100.1.1.1
```

- Configure a static RP from a group list.

```
rp-address 4.4.4.4 static-rp-list
```

- Configure Anycast RPs in multicast domains.

```
anycast-rp 100.1.1.1 anycast-rp-set
```

- Configure a bootstrap router as a candidate RP to distribute RP information.

```
bsr-candidate interface loopback 11 mask 32
```

- Configure the frequency with which a device sends PIM hello messages to its neighbors.

```
hello-interval 40
```

- Configure the frequency with which PIM Join and Prune messages are sent.

```
message-interval 180
```

- Configure the length of time a PIM device waits for hello messages before considering a neighbor to be absent.

```
nbr-timeout 160
```

- Configure the length of time a PIM device waits to stop traffic after receiving a Leave message.

```
prune-wait 5
```

- Configure a device as a candidate RP.

```
rp-candidate interface loopback 11
```

- Enable multicast ECMP load sharing with dynamic rebalancing.

```
rpf ecmp rebalance
```

- Enable Source-Specific Multicast mode for a specific address range.

```
ssm-enable range PL_ssm_range-230-to-234
```

Display IPv4 PIM Information

You can use show commands to display information about the internal state of IPv4 PIM. You can run the commands from any level of the CLI. For more information, see the *Extreme SLX-OS Command Reference*.

- Display various PIM settings, such as Hello interval and route precedence.

```
device# show ip pim settings
Maximum mcache           : 24576      Current Count           : 0
Hello interval           : 30        Neighbor timeout       : 105
Join/Prune interval      : 60        Inactivity interval    : 180
Hardware drop enabled    : 1         Prune wait interval    : 3
Register Suppress Time   : 60        Register Probe Time    : 10
Register Stop Delay      : 0         Register Suppress interval : 0
SSM Enabled              : No         SPT Threshold          : 1
Route Precedence         : uc-non-default uc-default none
```

- Display route entries in the multicast mcache table.

```
device# show ip pim mcache 50.1.1.101 230.1.1.1
IP Multicast Mcache Table
```

```

Entry Flags      : sm - Sparse Mode, ssm - Source Specific Multicast
                  RPT - RPT Bit, SPT - SPT Bit, LSrc - Local Source
                  LRcv - Local Receiver, RegProbe - Register In Progress
                  RegSupp - Register Suppression Timer, Reg - Register Complete
                  needRte - Route Required for Src/RP
Interface Flags: IM - Immediate, IH - Inherited, WA - Won Assert
                  MJ - Membership Join, BR - Blocked RPT, BA - Blocked Assert
                  BF - Blocked Filter
Total entries in mcache: 8
1 (50.1.1.101, 230.1.1.1) in Ve 40, Uptime 00:03:29
  Sparse Mode, RPT=0 SPT=1 Reg=0 RegSupp=0 RegProbe=0 LSrc=0 LRcv=1
  upstream neighbor=40.1.1.3
  num_oifs = 2
    Ve 2(00:03:29/181) Flags: IM
    Ve 10(00:03:29/0) Flags: MJ
  Flags (0x400784d1)
    sm=1 ssm=0 needRte=0
    
```

3. Display traffic statistics for PIM-enabled interfaces.

```

device# show ip pim traffic
Port      |HELLO |JOIN  |PRUNE  |ASSERT |GRAFT/REGISTER |REGISTER-STOP |BSR-MSGGS |RPC-MSGGS |
          |Rx    |Rx    |Rx     |Rx     |Rx             |Rx             |Rx         |
Rx
-----+-----+-----+-----+-----+-----+-----+-----+
+-----+
Ve10      54     0     0     0     0     0     0
0
Lo 1      0     0     0     0     0     0     0
0

device# show ip pim traffic
Port      |HELLO |JOIN  |PRUNE  |ASSERT |GRAFT/REGISTER |REGISTER-STOP |BSR-MSGGS |RPC-MSGGS |
          |Tx    |Tx    |Tx     |Tx     |Tx             |Tx             |Tx         |
-----+-----+-----+-----+-----+-----+-----+-----+
+-----+
Ve10      29     0     0     0     0     0     0
0
Lo 1      28     0     0     0     0     0     0
0
    
```

4. Display information about active PIM neighbors.

```

device(config)# show ip pim neighbor
-----+-----+-----+-----+-----+-----+-----+-----+
+-----+
Port |PhyPort |Neighbor      |Holdtime|T |PropDelay|Override |Age  |UpTime  |
VRF  |Prio    |              |sec     |Bit|msec     |msec   |sec  |
|        |        |              |        |   |         |       |    |
-----+-----+-----+-----+-----+-----+-----+
+-----+
v2   e0/1    2.1.1.2      105     1  500     3000    0    00:44:10  default-
vrf  1
v4   e0/2    4.1.1.2      105     1  500     3000    10   00:42:50  default-
vrf  1
v5   e0/1    5.1.1.2      105     1  500     3000    0    00:44:00  default-
vrf  1
v22  e0/1    22.1.1.1     105     1  500     3000    0    00:44:10  default-
vrf  1
Total Number of Neighbors : 4
    
```

5. Display information about the bootstrap router and the candidate RP.

```
device# show ip pim bsr
PIMv2 Bootstrap information for Vrf Instance : default-vrf
-----
This system is the Elected BSR
BSR address: 1.51.51.1. Hash Mask Length 32. Priority 255.
Next bootstrap message in 00:01:00
Configuration:
Candidate loopback 2 (Address 1.51.51.1). Hash Mask Length 32. Priority 255.
Next Candidate-RP-advertisement in 00:01:00
RP: 1.51.51.1
group prefixes:
224.0.0.0 / 4
Candidate-RP-advertisement period: 60
```

6. Display information about the candidate RP and its group mappings.

```
device# show ip pim rp-candidate
Next Candidate-RP-advertisement in 00:00:10
RP: 207.95.7.1
group prefixes:
224.0.0.0 / 4
Candidate-RP-advertisement period: 60
```

Explicitly Select the IPv4 PIM Rendezvous Point

With the PIM-SM election process, a backup RP automatically takes over if the active RP router becomes unavailable. However, you can explicitly select the RP, so that the device uses the selected RP for all group-to-RP mappings and overrides the set of candidate RPs supplied by the BSR.

1. Enter global configuration mode.

```
device# configure terminal
```

2. Enter router PIM configuration mode.

```
device(config)# router pim
```

3. Specify the IP address of the RP.

```
device(config-pim-router)# rp-address 4.4.4.4
```

The command in this example identifies the device interface at IP address 4.4.4.4 as the RP for the PIM-SM domain. The device uses the specified RP and ignores group-to-RP mappings received from the BSR.

4. To configure static RP with specific group ranges, run the following commands.

```
device(config-pim-router)# rp-address 4.4.4.4 static-rp-list
device(config)# ip prefix-list static-rp-list permit 225.1.1.0/24
```

The following commands configure the RP candidate.

```
device(config-pim-router)# rp-candidate interface loopback 11
device(config-pim-router)# rp-candidate prefix my-rp-cand-list
device(config)# ip prefix-list my-rp-cand-list permit 226.1.1.0/24
device(config)# ip prefix-list my-rp-cand-list permit 228.1.1.0/24
```

IPv4 PIM Anycast RP

PIM Anycast RP (rendezvous point) provides load balancing and fast convergence to PIM RPs in an IPv4 multicast domain. The RP address of the Anycast RP is a shared address used among multiple PIM

routers, known as PIM RP. The PIM RP routers create an Anycast RP set. Each router in the Anycast RP set is configured using two IP addresses: a shared RP address in their loopback address and a separate, unique IP address. The loopback address must be reachable by all PIM routers in the multicast domain. The separate, unique IP address is configured to establish static peering with other PIM routers and communication with the peers.

When the source is activated in a PIM Anycast RP domain, the PIM First Hop (FH) registers the source to the closest PIM RP. The PIM RP follows the same MSDP (Multicast Source Discovery Protocol) Anycast RP operation by decapsulating the packet and creating the (s,g) state. When there are external peers in the Anycast RP set, the router re-encapsulates the packet with the local peering address as the source address of the encapsulation. The router unicasts the packet to all Anycast RP peers. The re-encapsulation of the data register packet to Anycast RP peers ensures source state distribution to all RPs in a multicast domain.

The following example is a PIM Anycast-enabled network with 3 RPs and 1 PIM-FH router connecting to its active source and local receiver. Loopback 1 in RP1, RP2, and RP3 have the same IP address: 100.1.1.1. Each Loopback 2 in RP1, RP2, and RP3 has a separate IP address configured to communicate with their peers in the Anycast RP set.

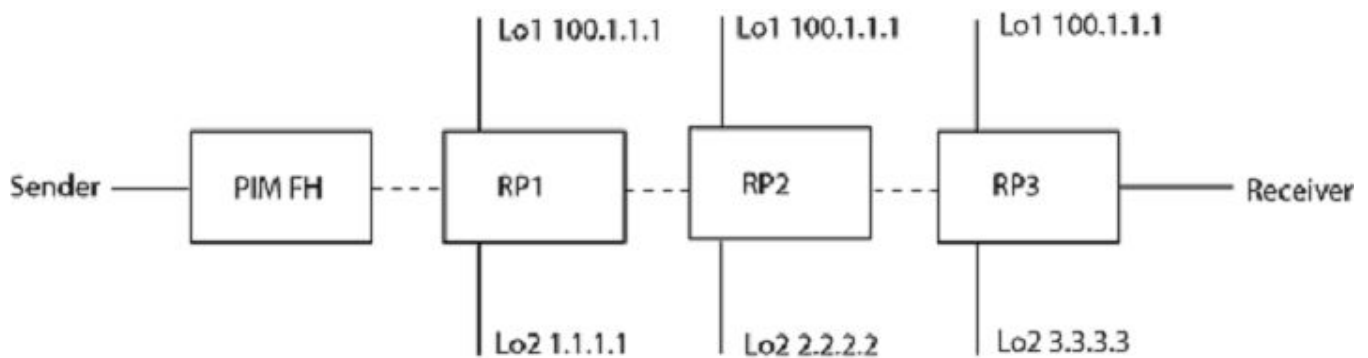


Figure 4: Example of a PIM Anycast RP network

Configure the IPV4 PIM Anycast RP

The **`anycast-rp`** command maps the RP and the Anycast RP peers.

1. Enter global configuration mode.

```
device# configure terminal
```

2. Enter router PIM configuration mode.

```
device(config)# router pim
```

3. Identify the RP address for the PIM-SM domain.

```
device(config-pim-router)# rp-address 100.1.1.1
```

4. Specify the Anycast RP, including the prefix list that identifies the Anycast peers that are configured with the same Anycast RP address, also called the Anycast RP set.

```
device(config-pim-router)# anycast-rp 100.1.1.1 anycast-rp-set
```

The following is a configuration of PIM Anycast RP 100.1.1.1. The example avoids using the Loopback 1 interface when configuring PIM Anycast RP because the Loopback 1 address could be used as a router-

id. A PIM First Hop router registers the source with the closest RP. The first RP that receives the register re-encapsulates the register to all other Anycast RP peers.

The RP shared address 100.1.1.1 is used in the PIM domain. IP addresses 1.1.1.1, 2.2.2.2, and 3.3.3.3 are listed in the ACL that forms the self-inclusive Anycast RP set. Multiple Anycast RP instances can be configured on a system, with each peer having the same or a different Anycast RP set.

```
device(config)# interface loopback 2
device(config-lbif-2)# ip address 100.1.1.1/24
device(config-lbif-2)# ip pim-sparse
device(config-lbif-2)# interface loopback 3
device(config-lbif-3)# ip address 1.1.1.1/24
device(config-lbif-3)# ip pim-sparse
device(config-lbif-3)# router pim
device(config-pim-router)# rp-address 100.1.1.1
device(config-pim-router)# anycast-rp 100.1.1.1 anycast-rp-set
device(config)# ip prefix-list anycast-rp-set permit 1.1.1.1/32
device(config)# ip prefix-list anycast-rp-set permit 2.2.2.2/32
device(config)# ip prefix-list anycast-rp-set permit 3.3.3.3/32
```

IPv4 Multicast ECMP Dynamic Rebalance

If there are multiple equal-cost paths between PIM routers to reach the source or the RP, the multicast RPF algorithms distribute the load across the available paths.

The following diagram shows a topology in which equal-cost multi-path (ECMP) support is not enabled. R1 through R11 have IP addresses in ascending order (R1 having the lowest IP address and R11 having the highest). All the routers are PIM-enabled routers. The links emanating from each router are ECMP links. The existing path usage is indicated in red. With the highest IP address neighbor chosen for the available ECMP paths, the multicast cache entries use only the R1-R4-R11-SRC path.

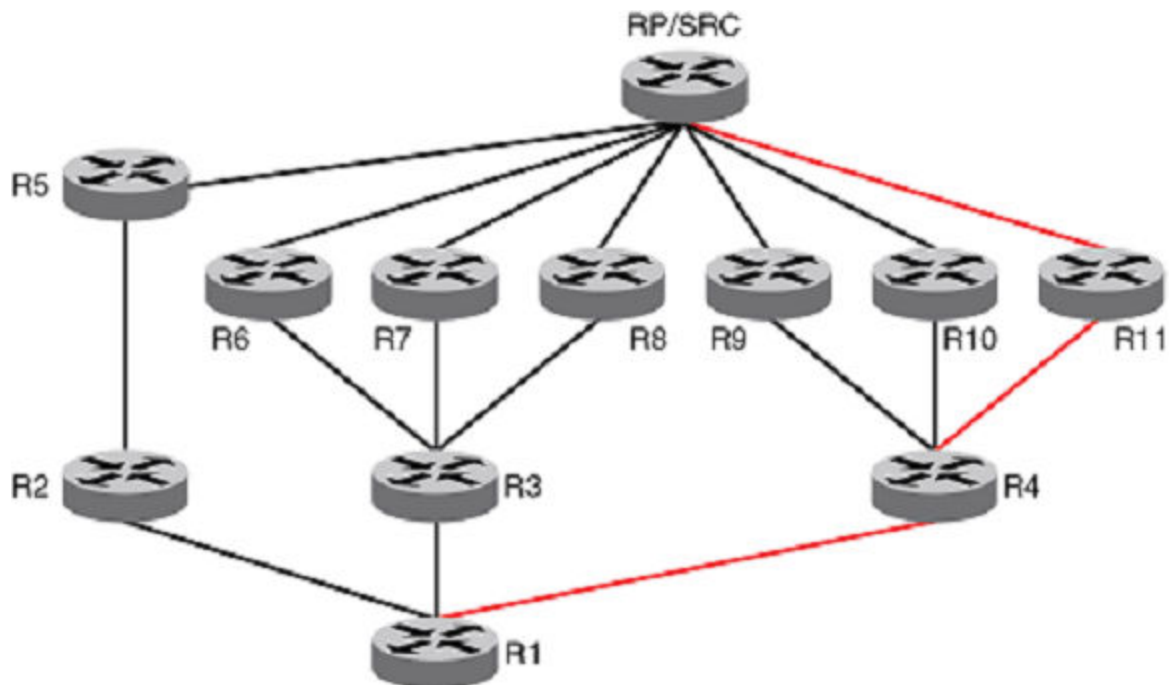


Figure 5: Path usage without multicast ECMP support

In the following figure, with the ECMP support turned on, the multicast entries are distributed among the equal-cost next hops as indicated in green for better usage of the available paths.

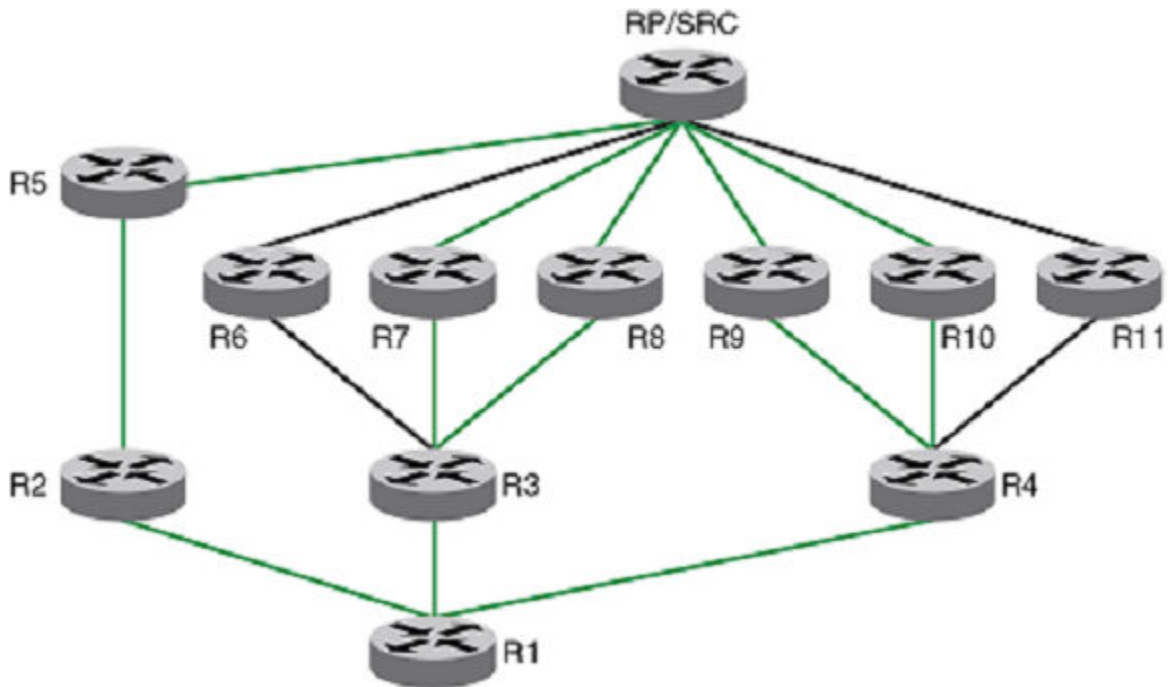


Figure 6: Path use with multicast ECMP support

The load distribution is achieved by distributing the multicast cache entries (*,G or S,G) to the available paths. Two methods are widely used to achieve this distribution.

- **Hash based:** Load splitting
- **Least-used path based:** Load balancing

Extreme devices support the hash-based method of load distribution for multicast ECMP.

Hash-based load distribution

Hash-based load distribution depends on a hash function to distribute the multicast cache entries. The S, G, next-hop addresses are hash function based. This method splits the cache entries by choosing a different RPF neighbor and splits the traffic. Load balancing is based on the distribution of the keys S, G, next-hop. This method of distribution is the least disruptive because the hashing redistributes only those cache entries that are affected during link flaps. Some paths may not be used for the distribution of the multicast entries. For example, for the ECMP paths from R3 to R6, R7 and R8, only paths R3 to R7 and R3 to R8 are used.

Path failure behavior

When an ECMP path is not operating, all the multicast entries using that path are redistributed among the other available paths.

New path behavior

When a new path is added to the ECMP set, there is no redistribution (default behavior without the rebalance option) of the cache entries. Here, optimal use of the paths is chosen in favor of not disturbing the existing flow. This method sometimes requires a full branch setup toward the source or RP of the multicast distribution tree. When a path flaps (stops and starts), the multicast entries that had been using this path do not use this path anymore. The situation worsens if a subset of paths stops operating and then starts up one path at a time. In this scenario, the only paths that carry all entries are the paths that did not flap.

Dynamic rebalancing

This option, which uses the hash method, rebalances the traffic immediately upon the addition of a new next-hop or path, and helps in new next-hop and path addition and path flap cases. There is less disruption in existing flows by using the hash method.

Considerations

The following considerations apply to the configuration of ECMP load balancing.

- Because the hash method is a load-splitting method, traffic load balancing is not supported.
- S-based and S,G-based hashing is not supported.
- The load-balancing effect due to load splitting the multicast entries is only a best effort. Splitting is actually based on the number of S, G flows, the number of next-hops, and the actual distribution of the S,G and the next-hop addresses.
- If the rebalancing is not configured, then link flap results in sub-optimal use of the ECMP links.
- Multicast ECMP and unicast ECMP both support 32 paths.

Enable ECMP Dynamic Rebalance

ECMP dynamic rebalance enables hash-based distribution among the ECMP paths when a new next-hop is added.

1. Enter global configuration mode.

```
device# configure terminal
```

2. Enter router PIM configuration mode.

```
device(config)# router pim
```

3. Enable ECMP load sharing with dynamic rebalance.

```
device(config-pim-router)# rpf ecmp rebalance
```

Multicast Traceroute Diagnostics

Multicast traceroute (mtrace) is a diagnostic tool that traces the multicast path from a specified destination to a source for a multicast group. It runs over the IGMP protocol.

The unicast traceroute program allows the tracing of a path from one device to another. The key mechanism for unicast traceroute is the ICMP TTL exceeded message, which is specifically excluded as a response to multicast packets. The mtrace facility allows the tracing of an IP multicast routing path. Mtrace also requires special implementations on the part of routers.

Mtrace uses any information available in the router to determine a previous hop to forward the trace toward the source. Multicast routing protocols vary in the type and amount of state they keep. Mtrace endeavors to work with all of them by using whatever is available. For example, if a PIM-SM router is on the (*,G) tree, mtrace chooses the parent toward the RP as the previous hop. In such a case, no source or group-specific state is available, but the path can still be traced.

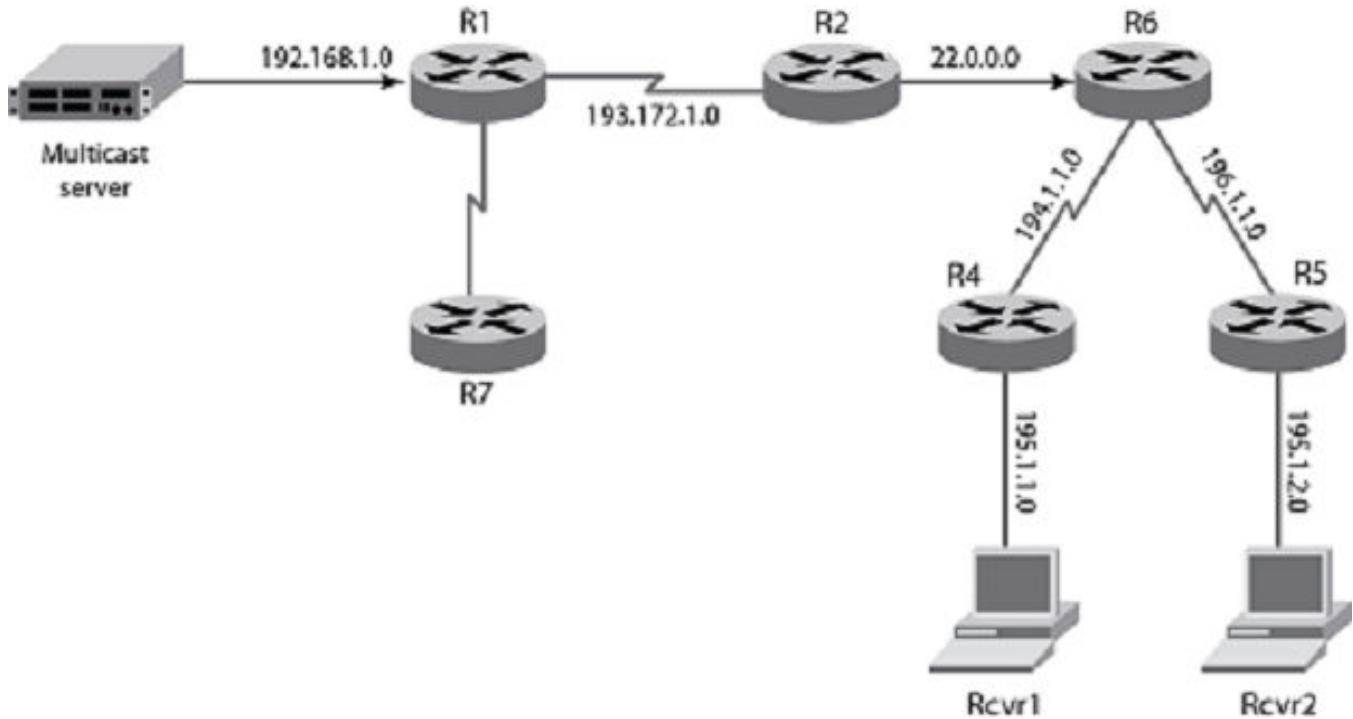


Figure 7: Network topology

Primary components of an mtrace implementation

Mtrace query

The party requesting the traceroute sends a traceroute query packet to the last-hop (LH) multicast router for the given destination. The query and request have the same opcode. The receiving router can distinguish between a query and a request by checking the size of the packet. A query is a request packet with none of the response fields filled up.

Mtrace request

The LH router changes the query packet into a request packet by adding a response data block containing its interface addresses and packet statistics. The LH router then forwards the request packet by unicast to the router that it believes is the proper previous hop for the given source and group. Each hop adds its response data to the end of the request packet, then forwards it by unicast to the previous hop.

Mtrace response

The first hop (FH) router is the router that believes that packets from the source originate on one of its directly connected networks. The FH router changes the packet type to a response packet and sends the completed response to the response destination address. The response may be returned before reaching the FH router if a fatal error condition, such as "no route," is encountered along the path.

Configure Mtrace

Mtrace can be started on any router on the network.

Enable mtrace and specify the source, destination, and group IP addresses.

```
SLX# mtrace source 10.1.1.2 destination 40.1.1.1 group 225.0.0.1

2020/01/17-06:48:37.451759 MTRACE.EVT: fwd code changed from MTRACE_NO_ERR to
2020/01/17-06:48:37.451828 MTRACE_NO_ERRSending mtrace query from src 10.1.1.2 to dest
40.1.1.1 through group 225.0.0.1

Collecting Statistics, waiting for 5 seconds.....

Type Control-c to abort
0      30.1.1.1      NONE      THRES      1  MTRACE_NO_ERR
1      15.1.1.2      NONE      THRES      1  MTRACE_NO_ERR
2      10.1.1.1      NONE      THRES      1  MTRACE_REACHED_RP
```

Topology:

```
SRC-(10.1.1.2)------(10.1.1.1)--R1(FHR)--(15.1.1.1)------(15.1.1.2)--R2--(30.1.1.2)------(30.1.1.1)--
R3(LHR)--(40.1.1.1)------(40.1.1.2)--HOST
```

In this example the destination IP is 40.1.1.1, the source IP is 10.1.1.2, and the group IP is 225.0.0.1. The mtrace query is sent from R3 to R2. The initial header is not modified by any of the routers. R2 adds a response block based on the (S, G) or the (*, G) entry, adds its incoming interface, outgoing interface, and other information, and sends it to its upstream neighbor. The process continues until the query reaches the First Hop Router (FHR), which is R1. R1 then determines that it is the FHR, completes the response block, and sends the response back to R3. R3 reads the information from the packet and prints it out.

Layer 2 Multicast Over MCT

SLX-OS devices support Layer 2 multicast control packets over multichassis trunks (MCT). Multicast state information is synchronized between MCT peers using MP-BGP EVPN transport. Multicast protocol packets are sent on the peer link only when required.

Internet Group Management Protocol (IGMP) protocol packets are of three types.

- **IGMP Query:** General query and Group-specific query
- **IGMP Report:** Version 1, Version 2, and Version 3 Membership reports. In a report, the multicast address field contains the specific multicast address to which the sender is listening.
- **IGMP Leave:** Version 2 group leave

Protocol Independent Multicast (PIM) protocol packets are of 4 types.

- PIM hello
- PIM join/prune
- BSR and candidate-RP advertisements
- RP registration & null-registration

IGMP Query Packet Processing

Each EVI is associated with a multicast group ID (MGID) that is BUM-suppressed (Broadcast, unknown-unicast and multicast). However, query packets need to be transmitted on an interchassis link (ICL) to address the following scenarios.

- The querier connected to only one of the MCT peer switches is the elected querier.
- Only one of the peer switches is configured as a querier.
- The switch ages out IGMP routes if memberships are not confirmed during the timeout interval. Although query packets are received on the MCT peer link, the mrouter port is not learned or considered on that peer link.

IGMP Membership Reports

- Traditionally, each peer switch learns about Layer 2 multicast memberships by snooping the IGMP membership reports. The membership reports are then flooded on multicast router (mrouter) ports.
- For MCT, because an mrouter port is not learned on the peer link, membership reports are not flooded between the peer switches. Peer switches exchange learned routes by using EVPN NLRI messages between Border Gateway Protocol (BGP) peers running on the MCT cluster control VLAN.
- MCT module (L2RIB) which handles the exchange of information across MCT cluster, communicates Multicast routes to Multicast module.
- If a general query or group-specific query is received from any port other than a peer link, each peer switch generates a proxy report for the IGMP routes learned across MCT.

Duplicate IGMP Query Packets on CCEP

If a query is configured on both MCT peers of a member VLAN, duplicate query packets reach clients that are connected to the MCT domain by means of a Cluster Client Edge Port (CCEP) or Cluster Edge Port (CEP).

Same BGP EVPN IGMP Join Sync Route is used to exchange IGMP Querier configuration on the member VLANs. Only one MCT Peer per VLAN is elected as IGMP Querier based on higher MCT Peer IP address.

IGMP Leave

When fast-leave is not configured and an MCT peer receives a leave membership report from one of its clients for group G, the switch or router informs other MCT peers about the group-specific query and latency by using Leave Sync Route. The peer switch, which runs the querier, sends group-specific queries and group queries to the local VLAN ports.

Mrouter Synchronization

Mrouter synchronization helps in achieving optimal path selection for unknown multicast traffic and optimal MP-BGP message exchange between MCT peers. Mrouter port information is synchronized to MCT Peer using the same BGP EVPN IGMP Join Sync route. For Mrouter detection on CCEP client port, the traffic is forwarded based on Local Bias forwarding behavior. For all CEP Mrouter ports learnt, only one Sync is used, first add and last delete, unlike CCEP Mrouter ports which is per Client ESI.

Device Support

Extreme Networks supports Layer 2 multicast over MCT on the following devices:

- SLX 9540
- SLX 9640
- SLX 9150
- SLX 9250

Layer 2 Multicast Traffic Forwarding

When a receiver connected on a Cluster Client Edge Port (CCEP) sends a membership report to join group G, the election of the designated forwarder (DF) for the CCEP and MGID prevents duplication of multicast data packets destined to group G on CCEP and on the peer link.

DF election is always honored for programming receivers on CCEP in the multicast group ID (MGID). However, the path given by DF election may not be optimal, because it might direct the multicast data traffic originating at one peer switch to a receiver on CCEP over the peer link, even though (*,G) membership does not include the Cluster Edge Port (CEP) on the peer switch that does not host the source.

Optimal Traffic Forwarding

When a group is learned over member VLANs, the DF for the IGMP route is elected by hashing on the IVID parameter of the member VLAN, Source-IP, and Group-IP.

The OIF (outgoing interface) list of the IGMP route on the DF includes the following.

- Receivers connected through CCEP
- Interchassis link (ICL), if its multichassis trunk (MCT) peer has receivers connected through CEP
- Receivers connected through local CEP

The OIF list of the IGMP routes on the non-DF includes the following.

- ICL to redirect the multicast stream to the DF of the stream
- Receivers connected through CEP

Layer 2 Multicast Data Encapsulation

Data encapsulation of Layer 2 multicast from CEP and CCEP received on a member VLAN is similar to that for Layer 2 flooding traffic.

Local forwarding occurs in the following scenarios.

- The Cluster Edge Port (CEP) is not operating.
- The remote Cluster Client Edge Port (CCEP) is not operating.
- The ingress is the CEP.
- The ingress is a different CCEP.

Local forwarding does not occur in the following scenarios.

- The local CCEP is not operating.
- The ingress is the interchassis link (ICL).

Layer 3 Multicast over MCT

Device Support

Extreme Networks supports Layer 3 multicast over MCT on the following devices:

- SLX 9540
- SLX 9640
- SLX 9150
- SLX 9250



IPv4 Multicast Traffic Reduction

[IGMP Traffic Snooping](#) on page 41

[IPv4 PIM-SM Traffic Snooping](#) on page 46

IGMP Traffic Snooping

A Layer 2 switch forwards all multicast control packets and data received on all the member ports of a VLAN interface. This simple approach is not bandwidth efficient, because only a subset of member ports may be connected to devices that want to receive these multicast packets.

In a worst-case scenario, the data is forwarded to all port members of a VLAN, even if only one VLAN member is interested in receiving the data. Such scenarios can lead to loss of throughput for switches that receive a high rate of multicast data traffic.

IGMP snooping is a mechanism by which a Layer 2 device can effectively address the issue of inefficient multicast forwarding to VLAN port members. Snooping involves "learning" forwarding states for multicast data traffic on VLAN port members from the IGMP control (join and leave) packets received on them. The Layer 2 device also provides for a way to configure forwarding states statically through the CLI.

Multicast Routing and IGMP Snooping

Multicast routers use IGMP snooping to learn which groups have members on their attached physical networks. A multicast router keeps a list of multicast group memberships for each attached network and a timer for each membership. In a multicast group membership, at least one member of a multicast group on an attached network is available.

Hosts join multicast groups in one of the following ways.

- By sending an unsolicited IGMP join request
- By sending an IGMP join request in response to a general query from a multicast router

In response to the request, the host creates an entry in its Layer 2 forwarding table for that VLAN. When other hosts send join requests for the same multicast, the device adds them to the existing table entry. Only one entry is created per VLAN in the Layer 2 forwarding table for each multicast group.

VLANs can be configured as snooping only or routing with snooping. When Layer 3 multicast routing is enabled on a VE, snooping for the underlying VLAN is enabled implicitly. Both explicit and implicit snooping can be enabled on a VLAN. Implicit snooping is the default. When explicit snooping is disabled on a VE that has routing enabled, snooping reverts back to implicit snooping. This does not change the functionality, but only removes the configuration.

When routing is disabled on a VE where explicit snooping is configured, the routing side of the programming stops and the snooping side of the programming takes over. When routing is enabled, the Layer 3 IGMP querier takes precedence on that VLAN. When routing is disabled and the snooping querier is configured, then the snooping querier takes effect.

Enable IGMP Snooping on a VLAN

1. Enter global configuration mode.

```
device# configure terminal
```

2. Enter VLAN configuration mode.

```
device(config)# vlan 1  
device(config-vlan-1)#
```

3. Enable IGMP snooping.

```
device(config-vlan-1)# ip igmp snooping enable
```

Configure IGMP Snooping on a VLAN

Use IGMP snooping in a VLAN when PIM is not configured. The IGMP snooping querier sends IGMP queries to trigger IGMP responses from devices that are to receive IP multicast traffic. The IGMP snooping querier listens for these responses to map the appropriate forwarding addresses.



Note

The IGMP snooping querier is suspended if Layer 3 IGMP is enabled on any of the cluster nodes.

1. Access global configuration mode.

```
device# configure terminal
```

2. Enter VLAN configuration mode.

```
device(config)# vlan 25
```

3. Specify the IGMP query interval for the VLAN.

```
device(config-vlan-25)# ip igmp snooping query-interval 125
```

The valid range is from 1 through 18000 seconds. The default is 125 seconds.

4. Specify the last member query interval.

```
device(config-vlan-25)# ip igmp snooping last-member-query-interval 1000
```

The valid range is from 1000 through 25500 milliseconds. The default is 1000 milliseconds.

5. Configure the static mrouter port.

```
device(config-vlan-25)# ip igmp snooping mrouter interface ethernet 0/2
```

6. Configure a static IGMP group.

```
device(config-vlan-25)# ip igmp snooping static-group 225.0.0.1 interface ethernet 0/15
```

- Configure the IGMP version.

```
device(config-vlan-25)# ip igmp snooping version v3
```



Note

Version 2 is enabled by default. When you change the version, existing static or dynamic groups are deleted. These groups are relearned when the next query is sent.

- Activate the IGMP snooping querier functionality for the VLAN.

```
device(config-Vlan-25)# ip igmp snooping querier enable
```



Note

The IGMP snooping querier and the static mrouter can be configured together on a VLAN interface.

Configure IGMP Snooping on a Bridge Domain

A bridge domain is a set of different types of service endpoints, such as pseudowire and VxLAN tunnel, grouped into one broadcast domain that allows any-to-any bridging. IGMP snooping on a bridge domain learns the multicast group on specific ports that are associated with the bridge domain.

IGMP snooping traps the IGMP control packets and programs the hardware entries with learned multicast groups and a list of interested ports that are part of the bridge domain.

When multicast traffic comes from a source, the traffic is sent to the interested receivers instead of flooding the multicast traffic on all ports of the bridge domain. IGMP on the bridge domain internally works the same as it works on a VLAN. A bridge domain contains logical interfaces (LIFs), so the corresponding multicast groups contain the LIFs as the outgoing interfaces.

- Enter global configuration mode.

```
device# configure terminal
```

- Enter bridge domain configuration mode.

```
device(config)# bridge-domain 10
device(config-bridge-domain-10)#
```

- Run the following commands as needed.

For more information, including examples, see the *Extreme SLX-OS Command Reference*.

- Enable IGMP snooping on a bridge domain.

```
ip igmp snooping enable
```

- Enable the IGMP querier on a bridge domain.

```
ip igmp snooping querier enable
```

- Specify the IGMP version on a bridge domain.

```
ip igmp version 2
```

- Enable fast-leave processing on a bridge domain, which allows the removal of an interface from the forwarding table without sending group-specific queries to the interface.

```
ip igmp snooping fast-leave
```

- Specify the interval between snooping queries.

```
ip igmp snooping query interval 30
```

- f. Specify the maximum amount of time to wait for a response from a snooping query.

```
ip igmp snooping query-max-response-time 20
```

- g. Specify the time limit for sending last member queries.

```
ip igmp snooping last-member-query-interval 150
```

The following example shows all the possible completions for the **ip igmp snooping** command.

```
device(config-bridge-domain-10)# ip igmp snooping ?
Possible completions:
  enable                IGMP Enable
  fast-leave            Fast Leave Processing
  last-member-query-interval  Last Member Query Interval
  mrouter              Multicast Router
  querier              Querier
  query-interval       Query Interval
  query-max-response-time  IGMP Max Query Response Time
  static-group         Static Group to be Joined
  version              IGMP Snooping Version
```

Monitor IGMP Snooping

Monitor IGMP snooping to help diagnose potential issues on a device.

You can run the following commands from any level of the CLI. For more information, see the *Extreme SLX-OS Command Reference*.

1. Display all information about IGMP multicast groups for the device, including configured entries for all groups on all interfaces, all groups on specific interfaces, or specific groups on specific interfaces.

```
device# show ip igmp groups
Total Number of Groups: 2
IGMP Connected Group Membership
Group Address  Interface Uptime      Expires      Last Reporter  Version
225.1.1.1     vlan25   00:05:27     00:02:32     25.1.1.1202
Member Ports: eth 0/24
```

2. View snooping configuration information.

```
device# show ip igmp snooping
Vlan ID: 10
Multicast Router ports: eth0/1
Querier - Disabled
IGMP Operation mode: IGMPv3
Is Fast-Leave Enabled : Enabled
Max Response time = 10
Last Member Query Interval = 1
Query interval = 125
Number of Multicast Groups: 0
```

3. View information about the multicast cache.

```
device# show ip multicast snooping mcache
Flags : V2|V3 : IGMP Receiver, P_G : PIM (*,G) Join, P_SG: PIM (S,G) Join
BR : PIM Blocked RPT
Vlan ID : 10
-----
1      (20.20.20.20, 232.0.0.10 ) 22:37:48      NumOIF: 1
      Outgoing Ports:
      eth0/34          Flags: 0x24 ( V3) 00:00:08/252s
```

4. Display the IGMP statistics for a VLAN or interface.

```
device# show ip igmp statistics vlan 1
```

```

IGMP packet statistics for all interfaces in vlan 1:
IGMP Message type      Edge-Received  Edge-Sent  Edge-Rx-Errors  ISL Received
Membership Query       0             0          0                0
V1 Membership Report   0             0          0                0
V2 Membership Report   0             0          0                0
Group Leave            0             0          0                0
V3 Membership Report   0             0          0                0
PIM hello              0             0          0                0

IGMP Error Statistics:
Unknown types          0
Bad Length             0
Bad Checksum           0

```

5. Display the Layer 3 IGMP interface configuration information.

```

device# show ip igmp interface
Interface Ve100
IGMP enabled
IGMP query interval 30 seconds
IGMP other-querierinterval 65 seconds
IGMP query response time 10 seconds
IGMP last-member query interval 1 seconds
IGMP immediate-leave disabled
IGMP querier100.0.0.1(this system)
IGMP version 2

```

6. Display multicast router port information.

```

device# show ip igmp snooping mrouter vlan 10
Vlan      Interface  Expires (Sec)
10        eth0/4     250
10        eth0/1     238

```

7. Display the SSM mapping with the prefix list name and source address details.

```

device# show ip igmp ssm-map
-----+-----+
|          PrefixList Name          | Source Address |
-----+-----+
| ssm-map-230-to-232                | 203.0.0.10    |
| ssm-map-233-to-234                | 204.0.0.11    |

```

IGMP Snooping and Unknown Multicast Traffic

IGMP snooping floods unknown multicast data packets on the member ports of VLAN. This unknown data traffic is the traffic sent to multicast groups that are not learned by means of IGMP membership reports or static IGMP group configuration.

Restricting the unknown multicast is achieved by redirecting the unknown multicast traffic (traffic destined to multicast MAC 01:00:5E:XX:XX:XX) to a multicast group identifier (MGID) that has no replication ports. Unknown multicast traffic is dropped because there are no ports to send the traffic.

Traffic Forwarding Scenarios

The following scenarios describe how multicast data traffic is forwarded when the restrict unknown multicast feature is enabled.

Multicast traffic learned from IGMP reports and static groups

IGMP v2 groups are programmed in LEM table as (*,G,V) entries.

IGMP v3 groups are programmed in KAPS as (S,G,V) entries.

The multicast data traffic is forwarded based on a match from LEM or KAPS table, which provides an MGID. The multicast traffic is replicated to an MGID that has egress ports.

Unknown multicast traffic

All the unknown multicast data traffic is restricted or dropped instead of flooded on the VLAN members.

Mrouter port behavior

Mrouter ports that are learned by means of receiving IGMP queries, PIM hello messages, or static configuration are added as part of the restrict unknown multicast MGID. Unknown multicast data traffic is then flooded only to the mrouter ports of the VLAN.

TCAM Profile

The restrict unknown multicast functionality is supported in default TCAM profile.

Limitations

- The MGIDs used for redirecting the unknown multicast traffic are allocated from the IGMP MGID space. The maximum number for IGMP groups without restrict unknown multicast is 16384.
- When you enable restrict unknown multicast on a VLAN or bridge domain, the IGMP groups maximum scaling number is reduced by 1.



Note

The maximum number of 15872 IGMP groups can be learned, if restrict unknown multicast is enabled on 512 VLANs or bridge domains.

Disable the IGMP Router Alert Option

By default, IGMP snooping checks for the presence of the router alert option in the IP packet header of an IGMP message. Packets that do not include this option are dropped. When you disable the router alert, you also disable the snooping check for the presence of the router alert option.

1. Enter global configuration mode.

```
device# configure terminal
```

2. Disable the router alert option.

```
device(config)# ip igmp router-alert-check-disable
```

IPv4 PIM-SM Traffic Snooping

Overview

By default, a device does not examine the IP multicast information in a packet. Instead, the device forwards the packet out all ports except the port that received the packet. In some networks, this method causes unnecessary traffic overhead. For example, if the device is attached to only one group source and two group receivers, but has devices attached to every port, the device forwards group traffic out all ports in the same broadcast domain except the port attached to the source, even though there are only two receivers for the group.

PIM Sparse Mode (PIM-SM) traffic snooping eliminates the superfluous traffic by configuring the device to forward IP multicast group traffic only on the ports that are attached to receivers for the group.

PIM-SM traffic snooping requires IP multicast traffic reduction to be enabled on the device. IP multicast traffic reduction configures the device to listen for IGMP messages. PIM-SM traffic snooping provides a finer level of multicast traffic control by configuring the device to listen specifically for PIM-SM Join and Prune messages sent from one PIM-SM router to another through the device.

**Note**

This snooping feature applies only to PIM-SM version 2 (PIM v2).

Assumptions and Dependencies

- Standalone PIM snooping is not supported.
- IGMP snooping must be enabled in order to enable PIM snooping on the VLAN.
- Enabling Layer 3 multicast on a VE interface implicitly enables IGMP snooping and PIM snooping by default.
- PIM snooping is disabled when IGMP snooping is disabled.
- A global PIM snooping CLI is not available.
- Disabling Layer 3 multicast disables IGMP and PIM snooping unless configured by the user.
- When Layer 3 multicast is configured, you cannot disable IGMP or PIM snooping
- Clearing the IP IGMP groups clears the whole snooping database.

PIM-SM Snooping on a Bridge Domain

A bridge domain is a set of different types of service endpoints, such as pseudowire and VxLAN tunnel, grouped into one broadcast domain that allows any-to-any bridging. A Layer 3 VE interface can be bound to a bridge domain. Because PIM-SM can be configured on the VE, PIM-SM snooping is supported on a bridge domain.

PIM Snooping in an SSM Range

Source-Specific Multicast (SSM) is required only at the last-hop router (LHR) and is not required for the intermediate switch or router. At the LHR, if the SSM map is enabled in the IGMP, the v2 report in the SSM group range is converted to (S,G) join and sent to PIM. If a host sends a v3 report in the same SSM range, and the router is v3 enabled with an SSM map configured on this router, then this report is dropped. From the PIM snooping perspective, the (S,G) join is only created in the software.

IPv4 PIM-SM Snooping Example

In this example, a device is connected through an IP router to a PIM-SM group source that is sending traffic for a multicast group. The device also is connected to a receiver for the group.

When PIM-SM traffic snooping is enabled, the device listens for PIM-SM Join and Prune messages and IGMP group membership reports. Until the device receives a Join message or a membership report, it forwards IP multicast traffic out on all ports. When the device receives a Join message or group membership report, the device forwards subsequent traffic for that group only on the ports from which the Join messages or reports were received.

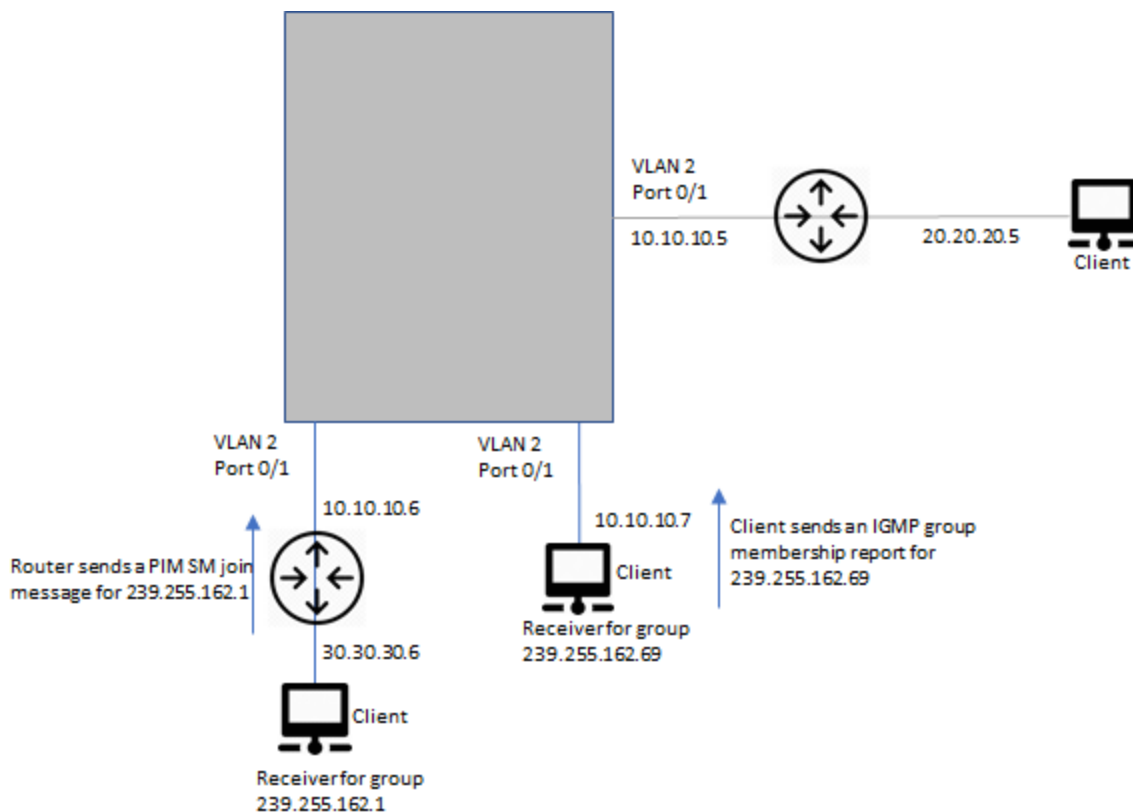


Figure 8: PIM SM traffic reduction in an enterprise network

In this example, the switch snoops for PIM SM Join and Prune messages. The router connected to the receiver for group 239.255.162.1 sends a Join message toward the group’s source. Because PIM-SM traffic snooping is enabled on the device, the device examines the Join message to learn the group ID, then makes a forwarding entry for the group ID and the port connected to the receiver’s router. The next time the device receives traffic for 239.255.162.1 from the group’s source, the device forwards the traffic only on port 0/1, because that is the only port connected to a receiver for the group.

Enable IPv4 PIM Snooping on a VLAN

1. Enter global configuration mode.

```
device# configure terminal
```

2. Enter VLAN configuration mode.

```
device(config)# vlan 1
```

3. Enable PIM snooping.

```
device(config-vlan-1)# ip pim snooping enable
```

Enable IPv4 PIM Snooping on a Bridge Domain

1. Enter global configuration mode.

```
device# configure terminal
```


2. Enter bridge domain configuration mode.

```
device(config)# bridge-domain 10
```

3. Enable PIM snooping.

```
device(config-bridge-domain-10)# ip pim snooping enable
```

PIM Multicast Router Presence Detection

The PIM multicast router presence detection feature scans the network traffic for incoming PIM hellos. This feature is enabled when multicast routing or snooping is enabled.

When a PIM hello is detected, that port is marked for the presence of a multicast router and the information is saved. This action prevents unnecessary flooding if the PIM designated router (DR) goes offline, because IGMP reports are forwarded to the multicast routers and not only the snooping-enabled router.