

## Overview of the WS-AP3805

The WS-AP3805 is designed to extend your Wireless LAN around indoor locations. The WS-AP3805 supports 802.11ac wireless standards, with full backward compatibility with legacy 802.11a, 802.11b, 802.11g, and 802.11n devices. The WS-AP3805 interoperates fully with other IdentifiFi Wireless products.

**Caution:** WS-AP3805i Rev 5K and above, and WS-AP3805e Rev 5K and above require a minimum base firmware of 9.21.10.

**Note:** The WS-AP3805 is available in an “i” model (internal antennas) and an “e” model (external antennas). References to WS-AP3805 applies to both models.

## WS-AP3805 Features

- Radios: 2 radios (2.4 GHz and 5 GHz)
- LEDs: 3 (see Figure 2)
- Max. Power Consumption: 9.6W; 802.3af (see Table 1)
- Antennas:
  - WS-AP3805i: 4 **internal** single band antenna assemblies
  - WS-AP3805e: 4 **external** RSMA antenna connectors (external antennas must be ordered separately)

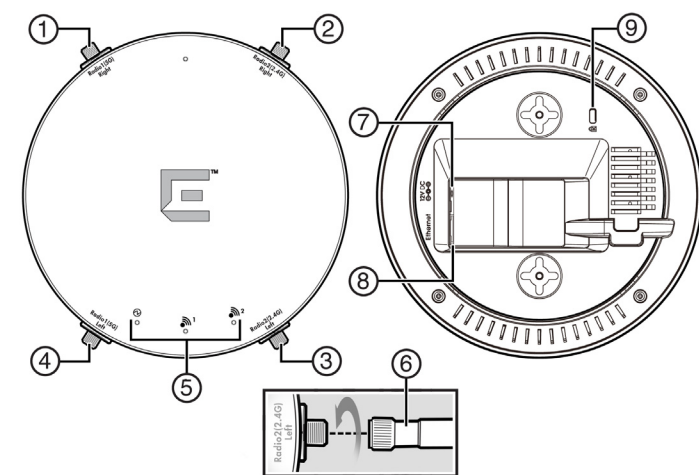
## Items Shipped with the WS-AP3805

- T-rail Mounting Hardware:
  - (2) 15/16” clips, and (2) 9/16” clips
  - (2) Spacers
  - Mounting screws
- Wall/Ceiling Mounting Bracket
- Mounting Bracket Hardware:
  - (2) Drywall anchors
  - Mounting screws

## WS-AP3805 Views

Figure 1, shows the front and back of the WS-AP3805.

Figure 1 Front & Back Views of the WS-AP3805

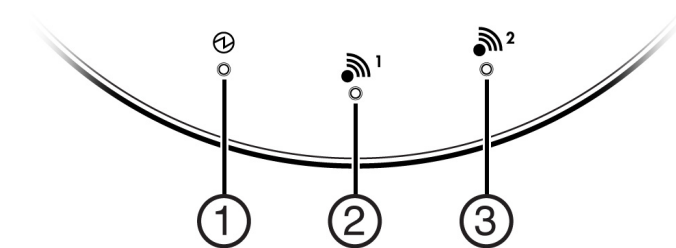


- |   |   |
|---|---|
| 1 Antenna Port, Radio 1 - Right (5.0 GHz, AP3805e only) | 6 External Antenna (1 of 4), AP3805e only |
| 2 Antenna Port, Radio 2 - Right (2.4 GHz, AP3805e only) | 7 External Power Supply Port              |
| 3 Antenna Port, Radio 2 - Left (2.4GHz, AP3805e only)   | 8 LAN port                                |
| 4 Antenna Port, Radio 1 - Left (5.0 GHz, AP3805e only)  | 9 Kensington Lock Slot                    |
| 5 LEDs (see Figure 2)                                   |   |

Table 1 Powering the WS-AP3805

Power Source	Description
Power over Ethernet (PoE)	Power is provided through the RJ45 Ethernet port (LAN port) on the top of the WS-AP3805. This is the preferred method of powering the AP on ceiling and high wall installations.
External 12V DC power supply (optional)	The WS-AP3805 can also be powered by an external DC power supply plugged into an AC source. Plug the supply's input jack into the DC-In port (see Figure 1).

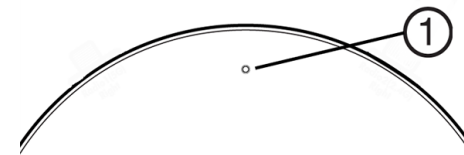
Figure 2 LEDs on AP Front Face



- |           |           |
|-----------|-----------|
| 1 Power   | 3 Radio 2 |
| 2 Radio 1 |           |

Green LEDs mean ON. Amber LEDs mean OFF.

Figure 3 Reset Button



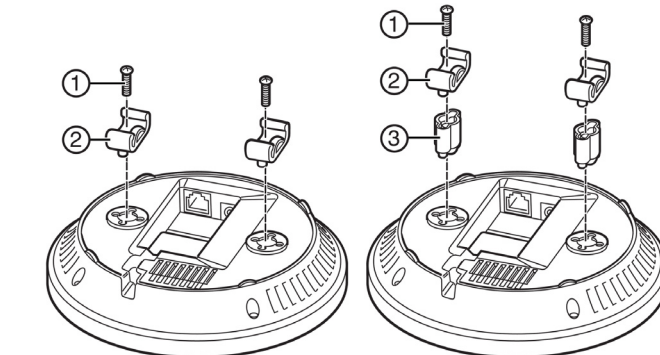
## Mounting and Connecting the AP

**Electrical Hazard:** Only qualified personnel should perform installation procedures.

A wall mount bracket is included for quick and easy mounting of the AP to a wall. A ceiling mounting kit is also provided for mounting on a drop ceiling. These instructions are guidelines. For detailed information, see the *Extreme Networks IdentifiFi Wireless WS-AP3805 Installation Guide*

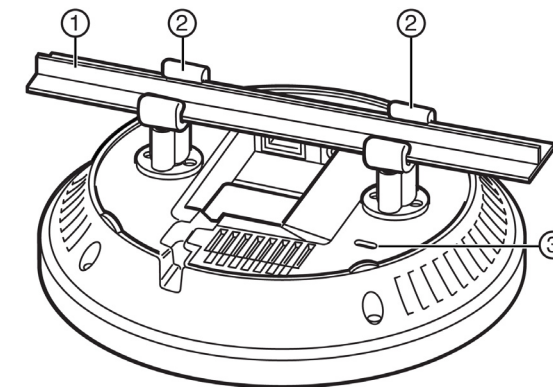
## Mounting on a Drop Ceiling

Figure 4 Attaching the T-rail Connector to the AP



- 1 Attach the T-rail connectors (see Figure 4, Item 2) to the bottom cover of the AP using the provided short screws (see Figure 4, Item 1). Two sizes of T-rail connectors are included in the mounting hardware kit: 15/16 in (2.38 cm) and 9/16 in (1.43 cm).
- 2 If extra space is required to accommodate drop ceiling tiles, use the provided spacers and long screws (see Figure 4, Items 1 and 3).
- 3 Remove the ceiling panels around the drop ceiling T-bar rails where you intend to mount the AP.
- 4 Line up the connected T-rail connectors (see Figure 5, Item 2) with an appropriately sized rail (see Figure 5, Item 1), and press the AP onto the rail until it snaps into place as shown in Figure 5.
- 5 Verify that the Ethernet cable that will connect to the AP can reach the AP at the point where you plan to mount it.
- 6 With both bracket tabs over the T-bar rail lips, tap the AP to verify it is stable and won't fall off. Figure 5 illustrates the AP and bracket mounted on a T-bar rail.

Figure 5 WS-AP3805 Mounted on Drop Ceiling T-bar Rail

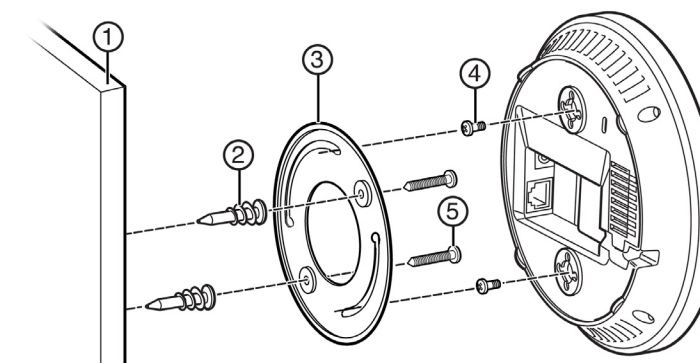


- 7 Make a hole through the ceiling panel closest to the power slot on the AP. Run the Ethernet cable through the hole and into an RJ45 LAN port in the recessed connector bay.
- 8 Replace the displaced ceiling panels.

## Mounting on a Wall or Solid Flat Ceiling

Figure 6 shows the AP3805 mounted to a wall or solid ceiling.

Figure 6 Mounting the WS-AP3805 to a Flat Wall or Solid Ceiling



- 1 Determine the spot on the wall where the AP is to be mounted, preferably high up on the wall (near the ceiling for maximum radio wave dispersion) but in reach of the Ethernet cable and a wall power outlet if you are not able to use Power over Ethernet.
- 2 Drill two holes in the wall (see Figure 6, Item 1) to match the center of the two keyhole slots in the back of the AP bracket (see Figure 6, Item 3).

**Note:** When drilling the holes for the wall anchors, the hole diameter should be slightly smaller than the diameter of the wall anchors provided.

- 3 Screw the anchors (see Figure 6, Item 2) into the holes until they are flush with the wall, and screw the provided mounting screws (see Figure 6 Item 5) into the anchors.
- 4 Screw the AP mounting screws (see Figure 6, Item 4) into the bottom of the AP.
- 5 Mount the AP on the mounting bracket by aligning the mounting screw with the slots in the bracket and rotating the unit clockwise about 90 degrees to secure it in place.

## Connecting a Power Supply to the WS-AP3805

**Electrical Hazard:** Do not connect the WS-AP3805 to an external power supply if the AP is plugged into the PoE port.

If you need to power the WS-AP3805 with an external 12V DC power supply, you can plug the power cord into the power connector (see Figure 1, Item 6) on the back of the AP. There is no wall mount for the 12V DC power supply. Refer to the *Extreme Networks IdentifiFi Wireless WS-AP3805 Installation Guide* for information about the power supply.

## LAN Connection

The WS-AP3805 has one LAN (Ethernet) port (see Figure 1, Item 7). During administration and maintenance through the LAN, the AP must still have a power connection through either an Ethernet PoE cable or a DC power supply.

**Note:** LAN connectors with shrouds will not fit into the AP port. Remove the shroud or use an optional jumper cable.

## External Antennas (WS-AP3805e Only)

Install the external antennas intended for area coverage. For information about antenna selection and installation, refer to the *Extreme Networks IdentifiFi Wireless WS-AP3805 Installation Guide*.

## Notice

Copyright © 2016 Extreme Networks, Inc. All Rights Reserved.

### Legal Notices

Extreme Networks, Inc., on behalf of or through its wholly-owned subsidiary, Enterasys Networks, Inc., reserves the right to make changes in specifications and other information contained in this document and its website without prior notice. The reader should in all cases consult representatives of Extreme Networks to determine whether any such changes have been made.

The hardware, firmware, software or any specifications described or referred to in this document are subject to change without notice.

### Trademarks

Extreme Networks and the Extreme Networks logo are trademarks or registered trademarks of Extreme Networks, Inc. in the United States and/or other countries.

All other names (including any product names) mentioned in this document are the property of their respective owners and may be trademarks or registered trademarks of their respective companies/owners.

For additional information on Extreme Networks trademarks, please see: [www.extremenetworks.com/company/legal/trademarks/](http://www.extremenetworks.com/company/legal/trademarks/)

### Documentation & Support

For product support, including documentation, visit: [www.extremenetworks.com/support/](http://www.extremenetworks.com/support/)

### Contact


Extreme Networks, Inc.  
145 Rio Robles  
San Jose, CA 95134 USA  
Tel: +1 408-579-2800  
Toll-free: +1 888-257-3000

## Regulatory and Compliance Information

### Safety Guidelines

This section contains notices that are intended to protect your personal safety and prevent damage to the equipment.

#### Qualified Personnel:


 **Electrical Hazard:** Only qualified personnel should perform installation procedures. Within the context of the safety notes in this documentation, qualified persons are defined as persons who are authorized to commission, ground and label devices, systems, and circuits in accordance with established safety practices and standards. A qualified person understands the requirements and risks involved with installing outdoor electrical equipment in accordance with national codes.

### RF Safety Distance

The antennas used for this transmitter must be installed to provide a separation distance of at least 22 cm from all persons and must not be co-located or operating in conjunction with another antenna or transmitter.

### Federal Communications Commission (FCC) Notice

This device complies with Part 15 of the FCC rules. Operation is subject to the following two conditions: (1) this device may not cause harmful interference, and (2) this device must accept any interference received, including interference that may cause undesired operation.

 **Warning:** Changes or modifications made to this device which are not expressly approved by the party responsible for compliance could void the user's authority to operate the equipment.

## Industry Canada Notice

This digital apparatus does not exceed the Class B limits for radio noise emissions from digital apparatus set out in the Radio Interference Regulations for the Canadian Department of Communications.

Le présent appareil numérique n'émet pas de bruits radioélectriques dépassant les limites applicables aux appareils numériques de la class B prescrites dans le Règlement sur le brouillage radioélectrique édicté par le ministère des Communications du Canada.

Suitable for use in environmental air space in accordance with Section 300.22.C of the National Electrical Code, and Sections 2-128, 12-010(3) and 12-100 of the Canadian Electrical Code, Part 1, C22.1.

Convient à l'espace de ventilation environnemental, conformément à la section 300.22.C du Code national de l'électricité et aux sections 2-128, 12-010(3) et 12-100 du Code canadien de l'électricité, partie 1, C22.1.

### 产品说明书附件 Supplement to Product Instructions


部件名称 (Parts)	有毒有害物质或元素 (Hazardous Substance)					
	铅 (Pb)	汞 (Hg)	镉 (Cd)	六价铬 (Cr <sup>6+</sup> )	多溴联苯 (PBB)	多溴二苯醚 (PBDE)
金属部件 (Metal Parts)	×	○	○	○	○	○
电路模块 (Circuit Modules)	×	○	○	○	○	○
电缆及电缆组件 (Cables & Cable Assemblies)	×	○	○	○	○	○
塑料和聚合物部件 (Plastic and Polymeric parts)	○	○	○	○	○	○
电路开关 (Circuit Breakers)	○	○	○	○	○	○

○: 表示该有毒有害物质在该部件所有均质材料中的含量均在 SJ/T 11363-2006 标准规定的限量要求以下。  
Indicates that the concentration of the hazardous substance in all homogeneous materials in the parts is below the relevant threshold of the SJ/T 11363-2006 standard.

×: 表示该有毒有害物质至少在该部件的某一均质材料中的含量超出 SJ/T 11363-2006 标准规定的限量要求。  
Indicates that the concentration of the hazardous substance of at least one of all homogeneous materials in the parts is above the relevant threshold of the SJ/T 11363-2006 standard.

对销售之日的所售产品, 本表显示。  
积极供应链的电子产品信息产品可能包含这些物质。注意: 在所售产品中可能会也可能不会含有所有列出的部件。  
This table shows where these substances may be found in the supply chain of Extreme's electronic information products, as of the date of sale of the enclosed product. Note that some of the component types listed above may or may not be a part of the enclosed product.

除非另外特别的标注, 此标志为针对所涉及产品的环保使用期标志。某些零部件会有一个不同的环保使用期(例如, 电池单元模块)贴在其产品上。  
此环保使用期限只适用于产品是在产品手册中所规定的条件下工作。  
The Environmentally Friendly Use Period (EFUP) for all enclosed products and their parts are per the symbol shown here, unless otherwise marked. Certain parts may have a different EFUP (for example, battery modules) and so are marked to reflect such. The Environmentally Friendly Use Period is valid only when the product is operated under the conditions defined in the product manual.



### European Waste Electrical and Electronic Equipment (WEEE) Notice



In accordance with Directive 2012/19/EU of the European Parliament on waste electrical and electronic equipment (WEEE):

- 1 The symbol above indicates that separate collection of electrical and electronic equipment is required.
- 2 When this product has reached the end of its serviceable life, it cannot be disposed of as unsorted municipal waste. It must be collected and treated separately.
- 3 It has been determined by the European Parliament that there are potential negative effects on the environment and human health as a result of the presence of hazardous substances in electrical and electronic equipment.
- 4 It is the users' responsibility to utilize the available collection system to ensure WEEE is properly treated.

For information about the available collection system, please contact Extreme Customer Support at 353 61 705500 (Ireland).

## Hazardous Substances

This product complies with the requirements of Directive 2011/65/EU of the European Parliament and of the Council of 8 June 2011 on the restriction of the use of certain hazardous substances in electrical and electronic equipment.

### Declaration of Conformity in Languages of the European Community

- English Hereby, Extreme Networks, declares that this Radio LAN device is in compliance with the essential requirements and other relevant provisions of Directive 1999/5/EC.
- Finnish Valmistaja Extreme Networks vakuuttaa täten että Radio LAN device tyypin laite on direktiivin 1999/5/EY oleellisten vaatimusten ja sitä koskevien direktiivin muiden ehtojen mukainen.
- Dutch Hierbij verklaart Extreme Networks dat het toestel Radio LAN device in overeenstemming is met de essentiële eisen en de andere relevante bepalingen van richtlijn 1999/5/EG.
- Bij deze verklaart Extreme Networks dat deze Radio LAN device voldoet aan de essentiële eisen en aan de overige relevante bepalingen van Richtlijn 1999/5/EC.
- French Par la présente Extreme Networks déclare que l'appareil Radio LAN device est conforme aux exigences essentielles et aux autres dispositions pertinentes de la directive 1999/5/CE.
- Par la présente, Extreme Networks déclare que ce Radio LAN device est conforme aux exigences essentielles et aux autres dispositions de la directive 1999/5/CE qui lui sont applicables.
- Swedish Härmed intygar Extreme Networks att denna Radio LAN device står i överensstämmelse med de väsentliga egenskapskrav och övriga relevanta bestämmelser som framgår av direktiv 1999/5/EG.
- Danish Undertegnede Extreme Networks erklærer herved, at følgende udstyr Radio LAN device overholder de væsentlige krav og øvrige relevante krav i direktiv 1999/5/EF.
- German Hiermit erkläre Extreme Networks die Übereinstimmung des "WLAN Wireless Controller bzw. Access Points" mit den grundlegenden Anforderungen und den anderen relevanten Festlegungen der Richtlinie 1999/5/EG.
- Greek ΜΕ ΤΗΝ ΠΑΡΟΥΣΑ Extreme Networks ΔΗΛΩΝΕΙ ΟΤΙ Radio LAN device ΣΥΜΜΟΡΦΩΝΕΤΑΙ ΠΡΟΣ ΤΙΣ ΟΥΣΙΩΔΕΙΣ ΑΠΑΙΤΗΣΕΙΣ ΚΑΙ ΤΙΣ ΛΟΙΠΕΣ ΣΧΕΤΙΚΕΣ ΔΙΑΤΑΞΕΙΣ ΤΗΣ ΟΔΗΓΙΑΣ 1999/5/ΕΚ.
- Icelandic Extreme Networks lýsir her með yfir að thessi bunadur, Radio LAN device, uppfyllir allar grunnkröfur, sem gerdar eru í R&TTE tilskipun ESB nr 1999/5/EC.
- Italian Con la presente Extreme Networks dichiara che questo Radio LAN device è conforme ai requisiti essenziali ed alle altre disposizioni pertinenti stabilite dalla direttiva 1999/5/CE.
- Spanish Por medio de la presente Extreme Networks declara que el Radio LAN device cumple con los requisitos esenciales y cualesquiera otras disposiciones aplicables o exigibles de la Directiva 1999/5/CE.
- Portuguese Extreme Networks declara que este Radio LAN device está conforme com os requisitos essenciais e outras disposições da Directiva 1999/5/CE.
- Malti Hawnhekk, Extreme Networks, jiddikjara li dan Radio LAN device jikkonforma mal-htigijiet essenzjali u ma provvedimenti oħrajn rilevanti li hemm fid-Dirrettiva 1999/5/EC.

# Extreme Networks Wireless Access Points

## Quick Reference

WS-AP3805i  
WS-AP3805e