

## Installing the ExtremeWireless AP3917i/e Access Point

### Overview of the AP3917i/e

The AP3917 is an IP67 rated Access Point with 802.11ac dual band 2:2 radios. The AP3917 is easy to install, lightweight, and is available in an internal (AP3917i) and external (AP3917e) antenna model. Each model includes 802.11 radios, an IoT radio, and a GPS radio. The AP3917 model comes in two models: AP3917i and AP3917e. In this document, the functionality, feature, and the procedure applies to both the models when AP3917i/e is used.

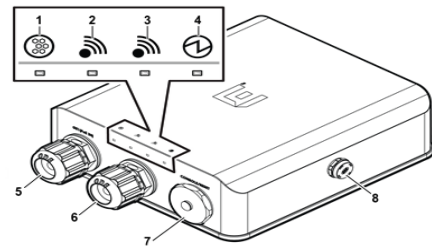
**Note:** The AP3917i/e requires a minimum base firmware of 10.41.

The AP3917i/e model has the following features:

- Radios: 2 radios (2.4GHz and 5GHz); 1 IoT/BLE/802.15.4 Radio (2.4 GHz)
- Console Port: RJ45
- One RJ45, 10/100/1000 Ethernet Port (GE1) with PoE
- One RJ45, 10/100/1000Mb Ethernet Port (GE2)
- IP67 Connectors on all ports
- LEDs: 4 (see Figure 1)
- One Reset button
- Power: PoE 802.3af or 802.3at
- GPS Receiver (will be supported via a future firmware release)
- Antennas:
  - AP3917i - 5 **internal** antennas (four band locked antennas and one BLE antenna). The polarization on one antenna of each radio can be configured by the installer.
  - AP3917e- 5 **external** antennas (four single band antennas and one BLE antenna)
- Temperature: -40 to 70°C ambient temperature
- Enclosure: Cast Aluminum base and PC cover

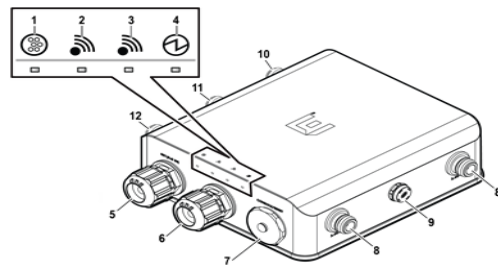
Figure 1 indicates AP3917i. In Figure 2, you can see AP3917e.

Figure 1 Top and Side Views of AP3917i



1	IoT/BLE Radio
2	Radio - 5 GHz
3	Radio - 2.4 GHz
4	Status
5	GE1 (PoE IN)
6	GE2
7	Console/Reset
8	Vent

Figure 2 Top and Side Views of AP3917e



1	IoT/BLE Radio
2	Radio - 5 GHz
3	Radio - 2.4 GHz
4	Status
5	GE1 (PoE IN)
6	GE2
7	Console/Reset

8	2.4 G - Antenna 1 and 2
9	Vent
10	5G - Antenna 1
11	BLE/802.15.4 Antenna
12	5 G - Antenna 2

### LEDs on the Front of the AP

Both the Radio LEDs will be Green when they are ON and the LEDs will not have any lights when they are OFF. Blue LED indicates the IoT status.

For detailed installation information about the AP3917i/e, see the *ExtremeWireless AP3917i/e Installation Guide*.

Table 1 shows ways to power the AP3917i/e.

Table 1 Powering the AP3917i/e

Power Source	Description
Power over Ethernet	Power is provided through the RJ45 Ethernet port (GE1 port). (PoE)

### Verifying the AP3917i/e Box Contents

Verify the contents of the box and ensure that the following items are available:

Table 2 Contents of the AP3917i/e Box

Quantity	Item
1	AP3917i/e Quick Reference Guide
1	Cloud Quick Start Card
The following hardware is included:	
1	M4 screw assembly with star washer
1	Ring terminal

## Mounting and Connecting the AP

**Electrical Hazard:** Only qualified personnel should perform installation procedures.

Use these instructions as guidelines for mounting and connecting the AP3917i/e easily and safely.

The AP3917i/e mounting brackets are sold separately.

For more information about installing the optional bracket and the adapter, see the *ExtremeWireless AP3917i/e Installation Guide*.

For installation videos of the AP, see [www.extremenetworks.com/support/](http://www.extremenetworks.com/support/).

### Mounting the AP3917i/e

The installation of the AP3917i/e should be performed by a professional installer to ensure proper operation and compliance with local safety guidelines.

The access point can be mounted to a wall, girder, ceiling, pole or vehicle using the appropriate bracket.

### Positioning the AP for Installation

Mount the AP so that the glands are on the side of the AP closest to the ground, and not above the plastic cover. You must provide a 3-inch drip loop on all cables.

**Note:** Do not remove the dust cap until you need to install the BLE/IoT antennas.

### Attach the Ground Wire

Use the M4 ground screw assembly, with the star washer, to attach the ground wire's ring terminal to the back of the AP. The wire should be as close to the AP bottom as possible. Tighten the screw to a torque of 13.0-13.5 in-lbs.

**Note:** Attach the H bracket after attaching the ground wire onto the AP. Once you tighten the torque, tighten the ground screws, and attach the LAN cable.

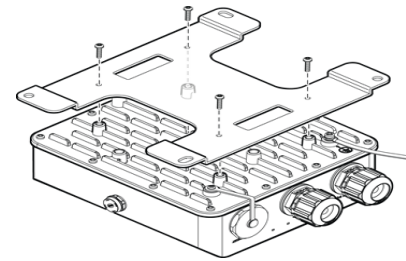
### Mounting the AP3917i/e to a Wall

**Note:** The "H" type Mounting Bracket (WS-MBO-H01) is sold as a separate accessory (ordering part #30519).

- 1 Using the mounting bracket as a guide, mark the location for the mounting screws. The wall bracket provides eight attachment holes. Use four (one in each corner), Place the bracket and mark the four hole centers.
- 2 Drill four holes into the wall as follows:

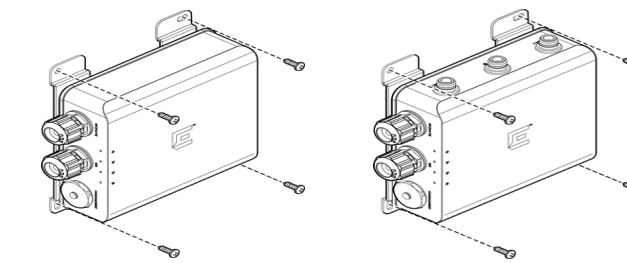
- for installing the AP on a masonry wall, use a 5/16" diameter bit.
  - for other materials, use the appropriate drill for the screws being used.
- 3 For masonry installations, drill at least 1/8" (3mm) past the depth of the screw, or bolt, being used, and place four anchor assemblies into the holes.
  - 4 Attach the AP to the "H" Bracket:
    - a Use 4 M4 screw assemblies to attach the AP to the "H" bracket on the side that does *not* have the PEM stand-offs.
    - b Tighten the four screws to a torque of 13.0-13.5 in-lbs.

Figure 3 Attaching the "H" Bracket to the AP



- 5 Secure the anchors to the wall, then secure the bracket to the anchors.
- 6 If using #10 screws, tighten them to a torque of 25 in-lbs. If using ¼" screws, tighten them to 45 in-lbs.

Figure 4 AP3917i/AP3917e Wall Mount "H" Bracket



### Mounting the AP3917i/e to a Pole

**Note:** The Pole Mounting Bracket (WS-MBO-POLE01) is sold as a separate accessory (ordering part #30520).

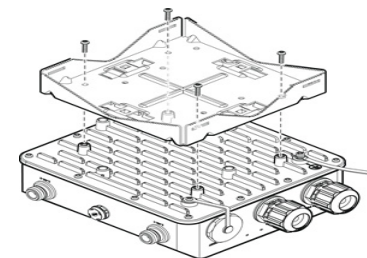
- 1 Determine the diameter of the pole.

Pole Diameter	Cable Clamp Size
<= 2.5" (63.5mm)	Use small cable clamp.
5" - 7" (127mm)	Use large cable clamp

For other pole diameters, provide your own stainless steel cable clamp. The band must be ½" (12.7mm) wide.

- 2 Attach the AP to the "Pole Mount" bracket using four M4 screws. Tighten the four screws to a torque of 13.0-13.5 in-lbs.

Figure 5 Attaching a Pole Bracket to the AP

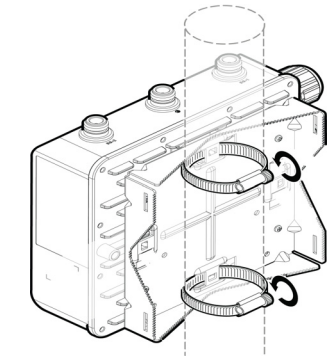


- 3 Attach the cable clamp to the pole bracket. Open the cable clamp by turning a flat bladed screwdriver counterclockwise. Then, insert the non-clamp end into the pole bracket through the holes.

**Note:** It is easier to install both clamps before attaching to the pole.

- 4 Put the metal band around the pole and insert it into the clamp. Turn the clamp screw clockwise, tightening the band around the pole.

Figure 6 AP with Mounting Bracket—Vertical Pole



### Mounting the AP3917i/e to a Wall/Pole using the WS-MBO-ART01 2 Axis Extension Arm

You can mount the AP3917i/e to a wall or a pole using a 10" extension arm (WS-MBO-ART01, ordering part #30514). For mounting and installation instructions, refer to the *ExtremeWireless AP3917i/e Installation Guide*.

### Installing External Antennas

- 1 Professionally install the external antennas intended for area coverage. For information about antenna selection and installation, refer to the *External Antenna Site Preparation and Installation Guide*.
- 2 Attach the external antenna cables to the Standard Polarity Type-N connectors on the AP3917i/e.

### Connecting a Power Source to the AP3917i/e

If you need to power the AP3917i/e, you can do so by using the GE1 port on the AP. The power LED on the front face of the AP illuminates when the device is connected to a power source. Refer to the *ExtremeWireless AP3917i/e Installation Guide* for information.

### LAN/Console Connections

The AP3917i/e has one LAN (Ethernet) port and a Console port. Refer to Figure 1 for the location of these ports. During administration and maintenance through the LAN or Console, the AP must still have a power connection through either an Ethernet PoE cable or a DC power supply.

## Professional Installation Instruction

### Installation personnel

This product is designed for specific application and needs to be installed by a qualified personnel who has RF and related rule knowledge. The general user shall not attempt to install or change the setting.

### Installation location

The product shall be installed at a location where the radiating antenna can be kept 20 cm for AP3917i and 35 cm for AP3917e (FCC) and 20 cm for AP3917i and 42 cm for AP3917e (ISED) from nearby person in normal operation condition to meet regulatory RF exposure requirement.

### External antenna

Use only the antennas which have been approved by the applicant. The non-approved antenna(s) may produce unwanted spurious or excessive RF transmitting power which may lead to the violation of FCC/ISED limit and is prohibited.

### Installation procedure

Please refer to user's manual for the detail.

**Warning:** Please carefully select the installation position and make sure that the final output power does not exceed the limit set force in relevant rules. The violation of the rule could lead to serious federal penalty.

## Instructions d'installation professionnelle

### Installation

Ce produit est destiné à un usage spécifique et doit être installé par un personnel qualifié maîtrisant les radiofréquences et les règles s'y rapportant. L'installation et les réglages ne doivent pas être modifiés par l'utilisateur final.

### Emplacement d'installation

En usage normal, afin de respecter les exigences réglementaires concernant l'exposition aux radiofréquences, ce produit doit être installé de façon à respecter une distance de 20 cm pour AP3917i et 35cm pour AP3917e (FCC) et 20 cm pour AP3917i et 42cm pour AP3917e (ISED) entre l'antenne émettrice et les personnes.

### Antenn externe

Utiliser uniquement les antennes approuvées par le fabricant. L'utilisation d'autres antennes peut conduire à un niveau de rayonnement essentiel ou non

essentiel dépassant les niveaux limites definis par FCC/ISED, ce qui est interdit.

#### Procedure d'installation

Consulter le manuel d'utilisation.

**Warning: Avertissement:** Choisir avec soin la position d'installation et s'assurer que la puissance de sortie ne dépasse pas les limites en vigueur. La violation de cette règle peut conduire à de sérieuses pénalités fédérales.

### Regulatory and Compliance Information Safety Guidelines

This section contains notices that are intended to protect your personal safety and prevent damage to the equipment.

**Qualified Personnel:**



**Electrical Hazard:** Only qualified personnel should perform installation procedures. Within the context of the safety notes in this documentation, qualified persons are defined as persons who are authorized to commission, ground and label devices, systems, and circuits in accordance with established safety practices and standards. A qualified person understands the requirements and risks involved with installing electrical equipment in accordance with national codes.

#### Federal Communications Commission (FCC) Notice

This equipment has been tested and found to comply with the limits for a Class B digital device, pursuant to Part 15 of the FCC Rules. These limits are designed to provide reasonable protection against harmful interference in a residential installation. This equipment generates, uses and can radiate radio frequency energy and, if not installed and used in accordance with the instructions, may cause harmful interference to radio communications. However, there is no guarantee that interference will not occur in a particular installation. If this equipment does cause harmful interference to radio or television reception, which can be determined by turning the equipment off and on, the user is encouraged to try to correct the interference by one of the following measures:

- Reorient or relocate the receiving antenna.
- Increase the separation between the equipment and receiver.
- Connect the equipment into an outlet on a circuit different from that to which the receiver is connected.
- Consult the dealer or an experienced radio/TV technician for help.

**Caution:** Any changes or modifications not expressly approved by the party responsible for compliance could void the user's authority to operate this equipment.



This device complies with Part 15 of the FCC Rules. Operation is subject to the following two conditions: (1) This device may not cause harmful interference, and (2) this device must accept any interference received, including interference that may cause undesired operation.

This transmitter must not be co-located or operating in conjunction with any other antenna or transmitter.

This device meets all the other requirements specified in Part 15E, Section 15.407 of the FCC Rules.

**Warning: FCC Radiation Exposure Statement:** This equipment complies with FCC radiation exposure limits set forth for an uncontrolled environment. This equipment should be installed and operated with minimum distance 20 cm for AP3917i and 35 cm for AP3917e between the radiator & your body.

#### Industry Canada Notice

This device complies with ISED's licence-exempt RSSs. Operation is subject to the following two conditions: (1) This device may not cause harmful interference, and (2) this device must accept any interference received, including interference that may cause undesired operation.

Le présent appareil est conforme aux CNR d' ISED applicables aux appareils radio exempts de licence. L'exploitation est autorisée aux deux conditions suivantes : (1) le dispositif ne doit pas produire de brouillage préjudiciable, et (2) ce dispositif doit accepter tout brouillage reçu, y compris un brouillage susceptible de provoquer un fonctionnement indésirable.

**Caution :**

- The device for operation in the band 5150-5250 MHz is only for indoor use to reduce the potential for harmful interference to co-channel mobile satellite systems;
- The maximum antenna gain permitted for devices in the band 5725-5850 MHz shall be such that the equipment still complies with the e.i.r.p. limits specified for point-to-point and non-point-to-point operation as appropriate; and
- Users should also be advised that high-power radars are allocated as primary users (i.e. priority users) of the bands 5650-5850 MHz and that these radars could cause interference and/or damage to LE-LAN devices.

**Avertissement:**

- les dispositifs fonctionnant dans la bande 5150-5250 MHz sont réservés uniquement pour une utilisation à l'intérieur afin de réduire les risques de brouillage préjudiciable aux systèmes de satellites mobiles utilisant les mêmes canaux;

- le gain maximal d'antenne permis (pour les dispositifs utilisant la bande de 5725 à 5 850 MHz) doit être conforme à la limite de la p.i.r.e. spécifiée pour l'exploitation point à point et l'exploitation non point à point, selon le cas;
- De plus, les utilisateurs devraient aussi être avisés que les utilisateurs de radars de haute puissance sont désignés utilisateurs principaux (c.-à-d., qu'ils ont la priorité) pour les bandes 5650-5850 MHz et que ces radars pourraient causer du brouillage et/ou des dommages aux dispositifs LAN-EL.



**Warning: IC Radiation Exposure Statement:** This equipment complies with ISED radiation exposure limits set forth for an uncontrolled environment. This equipment should be installed and operated with minimum distance 20 cm for AP3917i and 42 cm for AP3917e between the radiator & your body.



**Warning: Déclaration d'exposition aux radiations:** Cet équipement est conforme aux limites d'exposition aux rayonnements ISED établies pour un environnement non contrôlé. Cet équipement doit être installé et utilisé avec un minimum de 20 cm pour AP3917i et 42 cm pourAP3917e de distance entre la source de rayonnement et votre corps.

产品说明书附件 Supplement to Product Instructions						
部件名称 (Parts)	有毒有害物质或元素 (Hazardous Substance)					
	铅 (Pb)	汞 (Hg)	镉 (Cd)	六价铬 (Cr <sup>6+</sup> )	多溴联苯 (PBB)	多溴二苯醚 (PBDE)
金属部件 (Metal Parts)	×	○	○	×	○	○
电路模块 (Circuit Module)	×	○	○	×	○	○
电缆及电缆组件 (Cables & Cable Assemblies)	×	○	○	×	○	○
塑料和聚合物部件 (Plastic and Polymeric parts)	○	○	○	○	○	×
电路开关 (Circuit Breakers)	○	○	×	×	○	○
<p>○：表示该有害物质在该部件所有均质材料中的含量均在 SJ/T 11363-2006 标准规定的限量要求以下。 Indicates that the concentration of the hazardous substance in all homogeneous materials in the parts is below the relevant threshold of the SJ/T 11363-2006 standard.</p> <p>×：表示该有害物质至少在该部件的某一均质材料中的含量超过SJ/T 11363-2006 标准规定的限量要求。 Indicates that the concentration of the hazardous substance of at least one of all homogeneous materials in the parts is above the relevant threshold of the SJ/T 11363-2006 standard.</p> <p>对销售之目的所售产品, 未表显示。 该副应提供的电子信息产品可能包含这些物质。注意: 在所售产品中可能会也可能不会含有所有列出的部件。 This table shows where these substances may be found in the supply chain of Extreme electronic information products, as of the date of sale of the enclosed product. Note that some of the component types listed above may or may not be a part of the enclosed product.</p>						
<p>除非另外特别的标注, 此标志为针对所涉及产品的环保使用期标志。某些零部件会有一个不同的环保使用期(例如, 电池单元模块)贴在其产品上。 此环保使用期只适用于产品是在产品手册中所规定的条件下工作。 The Environmentally Friendly Use Period (EFUP) for all enclosed products and their parts are per the symbol shown here, unless otherwise marked. Certain parts may have a different EFUP (for example, battery modules) and so are marked to reflect such. The Environmentally Friendly Use Period is valid only when the product is operated under the conditions defined in the product manual.</p>						

This radio transmitter (IC: 4141B-AP3917E/ Model: AP3917e & AP7662) has been approved by ISED to operate with the antenna type listed below with maximum permissible gain indicated. Antenna types not included in this list, having a gain greater than the maximum gain indicated for that type, are strictly prohibited for use with this device.

Le présent émetteur radio (IC: 4141B-AP3917E/ Model: AP3917e & AP7662) a été approuvé par ISED pour fonctionner avec les types d'antenne énumérés ci-dessous et ayant un gain admissible maximal. Les types d'antenne non inclus dans cette liste, et dont le gain est supérieur au gain maximal indiqué, sont strictement interdits pour l'exploitation de l'émetteur.

Item	Function	Antenna Type	Part No	Connector	Gain (dBi)		
					2.4G	4.9G	5G
1	WLAN	Dipole	ML-2452-HPAG5A8-01	N Male	5	7.5	8
2	WLAN	Dipole	ML-2452-HPAG4A8-01	N Male	4		7.3
3	WLAN	Dipole	ML-2452-HPA6X6-036	N Male	4		6
4	WLAN	Dipole	WS-AO-DQ04360N	4 N Male	5.5		6
5	WLAN	Dipole	ML-2499-HPA4-01	N Male	4.5		
6	WLAN	Dipole	ML-2452-HPA6-01	N Male	5.3	4.6	6.1
7	WLAN	Dipole	ML-5299-HPA5-01	N Male			5.6
8	WLAN & BT LE & Zigbee	Dipole	ML-2499-HPA8-01	N Male	8		
9	WLAN	Dipole	ML-2499-FHPA5-01R	N Male	7.7		
10	WLAN	Dipole	ML-5299-FHPA6-01R	N Male		8.25	8.25
11	WLAN	Panel	ML-2452-PNA5-01R	N Male	4.5	5	5~4.5 MAX:5
12	WLAN & BT LE & Zigbee	Panel	ML-2452-PNA7-01R	N Male	7.8	7	10.7~7 MAX:10.7
13	WLAN	Polarized Panel	ML-2452-PNL6M4-N36	4 N Male	5.6	6.7	6.7
14	WLAN	Polarized Panel	ML-2452-SEC6M4-N36	4 N Male	6.92		7.23
15	WLAN	Polarized Panel	ML-2452-SEC6M4-N30	4 N Male	5.5		6
16	WLAN	Polarized Panel	ML-2452-PNL9M3-N36	N Male	11	7.3	10.7

4.9G Antenna for Item 6 and Item 11 will be secondary primary permanent fixed operations use only.

#### European Waste Electrical and Electronic Equipment (WEEE) Notice



In accordance with Directive 2012/19/EU of the European Parliament on waste electrical and electronic equipment (WEEE):

- The symbol above indicates that separate collection of electrical and electronic equipment is required.
  - When this product has reached the end of its serviceable life, it cannot be disposed of as unsorted municipal waste. It must be collected and treated separately.
  - It has been determined by the European Parliament that there are potential negative effects on the environment and human health as a result of the presence of hazardous substances in electrical and electronic equipment.
  - It is the users' responsibility to utilize the available collection system to ensure WEEE is properly treated.
- For information about the available collection system, please contact Extreme Customer Support at +353 61 705500 (Ireland).

#### Hazardous Substances

This product complies with the requirements of Directive 2011/65/EU of the European Parliament and of the Council of 8 June 2011 on the restriction of the use of certain hazardous substances in electrical and electronic equipment.

#### Declaration of Conformity in Languages of the European Community

English Hereby, Extreme Networks, declares that this Radio LAN device is in compliance with the essential requirements and other relevant provisions of Directive 1999/5/EC.

Finnish Valmistaja Extreme Networks vakuuttaa täten että Radio LAN device tyypinen laite on direktiivin 1999/5/EY oleellisten vaatimusten ja sitä koskevien direktiivin muiden ehtojen mukainen.

Dutch Hierbij verklaart Extreme Networks dat het toestel Radio LAN device in overeenstemming is met de essentiële eisen en de andere relevante bepalingen van richtlijn 1999/5/EG.

Bij deze verklaart Extreme Networks dat deze Radio LAN device voldoet aan de essentiële eisen en aan de overige relevante bepalingen van Richtlijn 1999/5/EC.

French Par la présente Extreme Networks déclare que l'appareil Radio LAN device est conforme aux exigences essentielles et aux autres dispositions pertinentes de la directive 1999/5/CE.

Par la présente, Extreme Networks déclare que ce Radio LAN device est conforme aux exigences essentielles et aux autres dispositions de la directive 1999/5/CE qui lui sont applicables.

Härmed intygar Extreme Networks att denna Radio LAN device står i överensstämmelse med de väsentliga egenskapskrav och övriga relevanta bestämmelser som framgår av direktiv 1999/5/EG.

Danish Undertegnede Extreme Networks erklærer herved, at følgende udstyr Radio LAN device overholder de væsentlige krav og øvrige relevante krav i direktiv 1999/5/EF.

German Hiermit erklärt Extreme Networks die Übereinstimmung des "WLAN Wireless Controller bzw. Access Points" mit den grundlegenden Anforderungen und den anderen relevanten Festlegungen der Richtlinie 1999/5/EG.

Greek **ΜΕ ΤΗΝ ΠΑΡΟΥΣΑ** Extreme Networks **ΔΗΛΩΝΕΙ ΟΤΙ** Radio LAN device **ΣΥΜΜΟΡΦΩΝΕΤΑΙ ΠΡΟΣ ΤΙΣ ΟΥΣΙΩΔΕΙΣ ΑΠΑΙΤΗΣΕΙΣ ΚΑΙ ΤΙΣ ΛΟΙΠΕΣ ΣΧΕΤΙΚΕΣ ΔΙΑΤΑΞΕΙΣ ΤΗΣ ΟΔΗΓΙΑΣ 1999/5/ΕΚ.**

Icelandic Extreme Networks lýsir her með yfir að thessi bunadur, Radio LAN device, uppfyllir allar grunnkröfur, sem gerdar eru i R&TTE tilskipun ESB nr 1999/5/EC.

Italian Con la presente Extreme Networks dichiara che questo Radio LAN device è conforme ai requisiti essenziali ed alle altre disposizioni pertinenti stabilite dalla direttiva 1999/5/CE.

Spanish Por medio de la presente Extreme Networks declara que el Radio LAN device cumple con los requisitos esenciales y cualesquiera otras disposiciones aplicables o exigibles de la Directiva 1999/5/CE.

Portuguese Extreme Networks declara que este Radio LAN device está conforme com os requisitos essenciais e outras disposições da Directiva 1999/5/CE.

Malti Hawnehkk, Extreme Networks, jiddikjara li dan Radio LAN device jikkonforma mal-htigijiet essenzjali u ma provvedimenti ohrajn rilevanti li hemm fid-Dirrettiva 1999/5/EC.

# Extreme Wireless™ Access Points

## Quick Reference

P/N 31050 WS-AP3917i-FCC

P/N 31051 WS-AP3917i-ROW

P/N 31055 WS-AP3917e-FCC

P/N 31056 WS-AP3917e-ROW

## Notice

Copyright © 2017 Extreme Networks, Inc. All Rights Reserved.

#### Legal Notices

Extreme Networks, Inc., on behalf of or through its wholly-owned subsidiary, Enterasys Networks, Inc., reserves the right to make changes in specifications and other information contained in this document and its website without prior notice. The reader should in all cases consult representatives of Extreme Networks to determine whether any such changes have been made.

The hardware, firmware, software or any specifications described or referred to in this document are subject to change without notice.

#### Trademarks

Extreme Networks and the Extreme Networks logo are trademarks or registered trademarks of Extreme Networks, Inc. in the United States and/or other countries.

All other names (including any product names) mentioned in this document are the property of their respective owners and may be trademarks or registered trademarks of their respective companies/owners.

For additional information on Extreme Networks trademarks, please see: [www.extremenetworks.com/company/legal/trademarks/](http://www.extremenetworks.com/company/legal/trademarks/)

#### Documentation & Support

For product support, including documentation, visit: [www.extremenetworks.com/support/](http://www.extremenetworks.com/support/)

P/N 9035165-04

