

How to Use This Guide

Use this guide to quickly install your Enterasys® STK-RPS-150PS / 08A-RPS-150, a hot-swappable 150 watt DC power redundant power supply for use with an Enterasys stackable or standalone fixed switch model that does not support PoE.



Caution: The STK-RPS-150PS / 08A-RPS-150 does not support PoE-compliant fixed switch models. Do not connect the power cable from an STK-RPS-150PS / 08A-RPS-150 to a PoE-compliant fixed switch. Otherwise, damage to the switch may result.

Enterasys Networks recommends that you refer to your switch's *Hardware Installation Guide* for specifications and safety warnings. The latest documentation is located at <https://extranet.enterasys.com/downloads>.

About the STK-RPS-150PS / 08A-RPS-150 and STK-RPS-150CH2

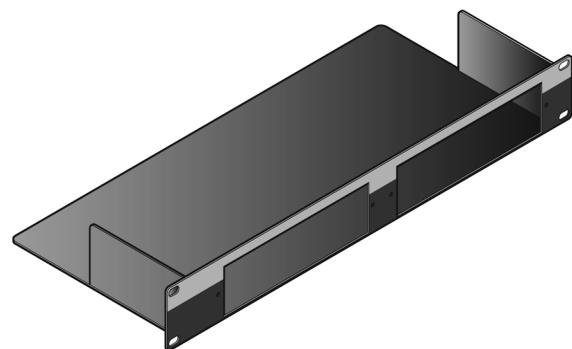
A redundant power system consisting of STK-RPS-150PS / 08A-RPS-150 power supplies and an optional STK-RPS-150CH2 shelf is a simple and economical solution to provide backup power for one or two non-PoE stackable or standalone Ethernet switches (one for each switch). When connected to a switch, an STK-RPS-150PS / 08A-RPS-150 continuously monitors the internal power supply of the switch. If a power interruption is detected, the STK-RPS-150PS / 08A-RPS-150 is automatically triggered to provide power for the switch, preventing an interruption in network traffic. The end result is a more reliable network infrastructure, protecting the network from a single source of power failure.

STK-RPS-150CH2 Shelf

Depending on your system requirements, the optional STK-RPS-150CH2 shelf can consist of the following components to provide redundant power for one or two switches:

- One STK-RPS-150CH2 shelf (see [Figure 1](#))
- One or two STK-RPS-150PS / 08A-RPS-150s
- One or two AC power cords (one for each power supply)
- One or two RPS cables (one for each power supply)

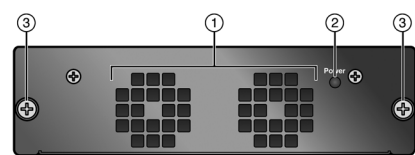
Figure 1 STK-RPS-150CH2



STK-RPS-150PS / 08A-RPS-150 Power Supply

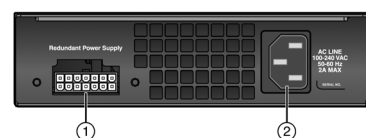
[Figure 2](#) and [Figure 3](#) show the front and rear view of the STK-RPS-150PS / 08A-RPS-150.

Figure 2 Front View of STK-RPS-150PS / 08A-RPS-150



- 1 Intake cooling fans 2 Power LED 3 Captive screws (2)

Figure 3 Rear View of STK-RPS-150PS / 08A-RPS-150



- 1 Redundant Power Supply connector (12Vdc inputs and status outputs) 2 AC input connector

The STK-RPS-150PS / 08A-RPS-150 ships with the following:

- AC power cord
- RPS cable (1 meter in length)

Installing the STK-RPS-150PS / 08A-RPS-150



Electrical Hazard: Only qualified personnel should perform installation procedures.



Caution: Observe all Electrostatic Discharge (ESD) precautions when handling sensitive electronic equipment.

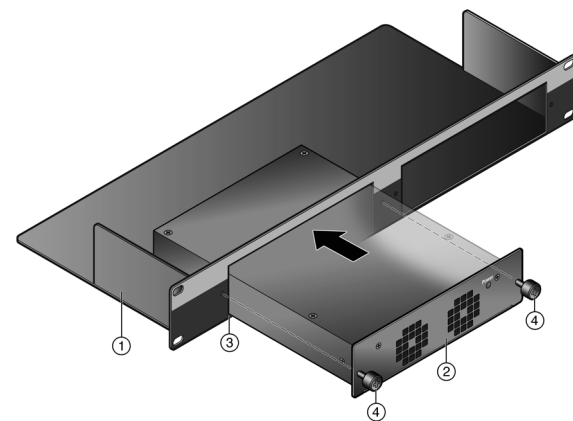
Locate the power supply within 182.88cm (6 ft) of its power source.

If you are installing the power supply as a standalone unit, refer to "Connecting RPS Cable and AC Power Cord".

To install the power supplies in an STK-RPS-150CH2 shelf:

1. Place the shelf on a sturdy flat surface where you plan to install power supplies.
2. Align the power supply with one of the slots, then slide the power supply forward until its front panel is flush against the shelf front panel.
3. Fasten the power supply to the shelf using the captive screws on the power supply front panel as shown in [Figure 4](#).
4. Repeat steps 2 and 3 for an additional power supply.

Figure 4 Installation into the STK-RPS-150CH2



- 1 STK-RPS-150CH2 shelf 3 Shelf power supply slot
2 Power supply 4 Captive screws (2)

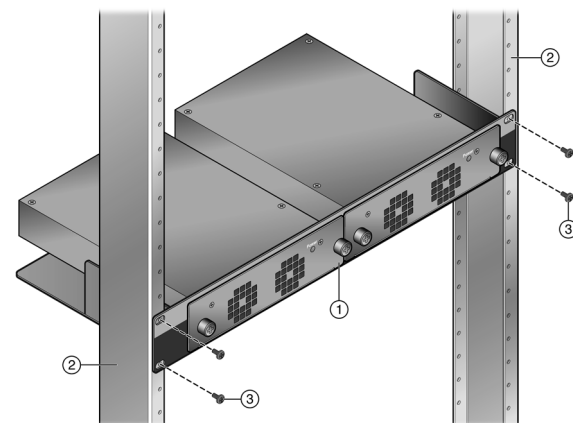
Rack Mounting the STK-RPS-150CH2

To install the STK-RPS-150CH2 in a standard 19-inch (48.3cm) rack, you need four customer-supplied screws.

Refer to [Figure 5](#) and proceed as follows to install the shelf in the rack:

1. Position the shelf between the vertical rack rails and align the mounting holes in the shelf brackets with those in the rack rails.
2. Fasten the shelf securely to the frame using four customer-supplied mounting screws.

Figure 5 Fastening the STK-RPS-150CH2 to the Rack



- 1 STK-RPS-150CH2 shelf 2 Rails of 19-inch rack 3 Mounting screws

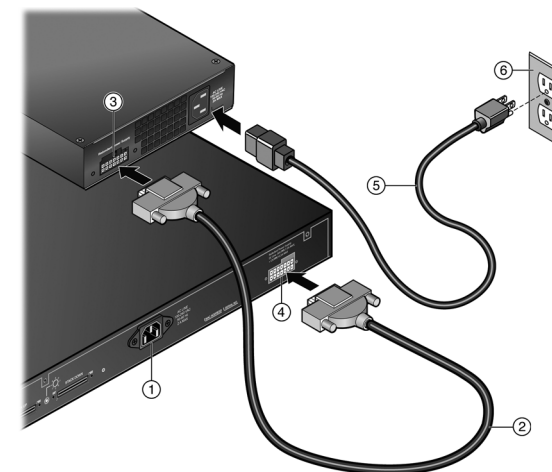
3. If you are installing the STK-RPS-150CH2 in a stacked configuration, repeat this procedure for each STK-RPS-150CH2.

Connecting RPS Cable and AC Power Cord

The STK-RPS-150PS / 08A-RPS-150 is connected to a stackable or standalone switch using the supplied 1 meter RPS cable, as follows:

1. Connect one end of the RPS cable to the Redundant Power Supply connector on the non-PoE fixed switch. Then connect the other end of the RPS cable to the Redundant Power Supply connector at the rear of the STK-RPS-150PS / 08A-RPS-150 as shown in [Figure 6](#).

Figure 6 RPS Cable and AC Power Cord Connections



- 1 Stackable or standalone fixed switch, non-PoE model 4 Redundant Power Supply connector on switch
2 RPS cable (1 meter long) 5 AC power cord (type varies depending on country)
3 Redundant Power Supply connector on power supply 6 AC power outlet with ground connection (type varies depending on country)

2. Connect the AC power cord to the AC input power connector on the power supply shown in [Figure 6](#), then plug the AC power cord into the main AC power outlet. The Power LED on the front of the power supply will illuminate to indicate a successful connection.

3. If you are connecting multiple power supplies, repeat steps 1 and 2 for each power supply.

This completes the installation. For complete installation instructions and information about the STK-RPS-150PS / 08A-RPS-150 see the appropriate switch model *Hardware Installation Guide* at <https://extranet.enterasys.com/downloads>.

Power LED

The Power LED is located on the front panel of the STK-RPS-150PS / 08A-RPS-150 (see [Figure 2](#)). [Table 1](#) presents the LED status and recommended actions if the LED is off.

Table 1 Power LED Status Definitions

Color	Status	Recommended Action
Green	AC input to power supply is within specifications.	None.
Off	AC input power to power supply is out of specification.	<ol style="list-style-type: none"> 1. Check AC power cord connection to the power supply. 2. Check AC power at the power outlet. 3. Swap power cord for a known good one. If the problem persists, contact Enterasys Networks for support.

Specifications

Table 2 STK-RPS-150CH2 Specifications

Item	Specification
Power supply slots	Two slots for optional power supplies
Dimensions	5.5 H x 44.0 W x 18.0 D (cm) 2.2 H x 17.3 W x 7.0 D (in.)
Net Weight (unit only)	0.95 kg (2.09 lb)
Gross Weight (1 unit and packaging)	1.60 kg (3.52 lb)

Table 3 STK-RPS-150PS / 08A-RPS-150 Specifications

Item	Specification
Electrical	
AC Input Frequency Range	50–60 Hz
AC Input Voltage Range	100–240 Vac
Output Voltage	12 Vdc
Output Current	1.0 A min., 8.5 A or 13.0 A max.
Maximum Output Power	102 W or 156 W continuous
Physical	
Dimensions	19.6 H x 5.2 W x 25.7 D (cm) 7.7 H x 2.04 W x 10.1 D (in.)
Net Weight (unit only)	1.75 kg (3.85 lb)
Gross Weight (1 unit and packaging)	3.20 kg (7.04 lb)
MTBF	300,000 hours
Environmental	
Operating Temperature	0°C to 50°C (32°F to 122°F)
Storage Temperature	-30°C to 73°C (-22°F to 164°F)
Operating Relative Humidity	5% to 95% non-condensing

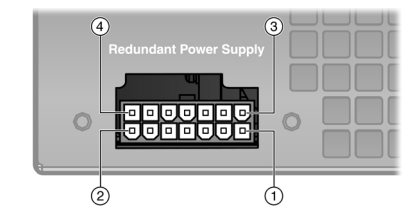
STK-RPS-150PS / 08A-RPS-150 RPS Connector

For pin location and function, refer to [Figure 7](#) and [Table 4](#), respectively.



Note: The following information is for troubleshooting purposes only. For proper operation, use only the 1 meter RPS cable supplied with the STK-RPS-150PS / 08A-RPS-150. This cable is specially designed for this application and meets all necessary regulatory and safety standards. Using non-approved cables will void your warranty.

Figure 7 STK-RPS-150PS / 08A-RPS-150 RPS Connector Pin Locations



- 1 Pin 1 2 Pin 7 3 Pin 8 4 Pin 14

Table 4 STK-RPS-150PS / 08A-RPS-150 RPS Connector Pin Functions

Pin	Function	Pin	Function
1	- 50 V return	8	Ground
2	- 50 Vdc	9	No connection
3	12 Vdc output	10	RPS present
4	12 Vdc output	11	Status 1
5	12 Vdc output	12	Status 2
6	12 Vdc output	13	Power good
7	Ground	14	Ground

Getting Help

World Wide Web	www.enterasys.com/support/
Phone	1-800-872-8440 (toll-free in U.S. and Canada) or 1-978-684-1888 To find the Enterasys Networks Support toll-free number in your country: www.enterasys.com/services/support/contact/
Internet mail	support@enterasys.com To expedite your message, type [A/B/C-SERIES], as appropriate, in the subject field of your message.
Latest image and release notes	https://extranet.enterasys.com/downloads

Related Documents

The latest documentation is located online at <https://extranet.enterasys.com/downloads>

Warranty

Warranty information for the Enterasys switches is located online at www.enterasys.com/support/warranty.aspx
www.enterasys.com/company/literature/enterasys-lw-ds.pdf

Notice

Enterasys Networks reserves the right to make changes in specifications and other information contained in this document and its web site without prior notice. The reader should in all cases consult Enterasys Networks to determine whether any such changes have been made. The hardware, firmware, or software described in this document is subject to change without notice.

IN NO EVENT SHALL ENTERASYS NETWORKS BE LIABLE FOR ANY INCIDENTAL, INDIRECT, SPECIAL, OR CONSEQUENTIAL DAMAGES WHATSOEVER (INCLUDING BUT NOT LIMITED TO LOST PROFITS) ARISING OUT OF OR RELATED TO THIS DOCUMENT, WEB SITE, OR THE INFORMATION CONTAINED IN THEM, EVEN IF ENTERASYS NETWORKS HAS BEEN ADVISED OF, KNEW OF, OR SHOULD HAVE KNOWN OF, THE POSSIBILITY OF SUCH DAMAGES.

Enterasys Networks, Inc.
50 Minuteman Road
Andover, MA 01810

© 2012 Enterasys Networks, Inc. All rights reserved.

Part Number: 9034554-04 August 2012

ENTERASYS, ENTERASYS NETWORKS, ENTERASYS SECURE NETWORKS, NETSIGHT, ENTERASYS NETSIGHT, and any logos associated therewith, are trademarks or registered trademarks of Enterasys Networks, Inc., in the United States and/or other countries. For a complete list of Enterasys trademarks, see <http://www.enterasys.com/company/trademarks.aspx>.

All other product names mentioned in this manual may be trademarks or registered trademarks of their respective companies.

Regulatory Compliance Information

Federal Communications Commission (FCC) Notice

This device complies with Part 15 of the FCC rules. Operation is subject to the following two conditions: (1) this device may not cause harmful interference, and (2) this device must accept any interference received, including interference that may cause undesired operation.

NOTE: This equipment has been tested and found to comply with the limits for a class A digital device, pursuant to Part 15 of the FCC rules. These limits are designed to provide reasonable protection against harmful interference when the equipment is operated in a commercial environment. This equipment uses, generates, and can radiate radio frequency energy and if not installed in accordance with the operator's manual, may cause harmful interference to radio communications. Operation of this equipment in a residential area is likely to cause interference in which case the user will be required to correct the interference at his own expense.

WARNING: Changes or modifications made to this device which are not expressly approved by the party responsible for compliance could void the user's authority to operate the equipment.

Industry Canada Notice

This digital apparatus does not exceed the class A limits for radio noise emissions from digital apparatus set out in the Radio Interference Regulations of the Canadian Department of Communications.

Le présent appareil numérique n'émet pas de bruits radioélectriques dépassant les limites applicables aux appareils numériques de la class A prescrites dans le Règlement sur le brouillage radioélectrique édicté par le ministère des Communications du Canada.

Class A ITE Notice

WARNING: This is a Class A product. In a domestic environment this product may cause radio interference in which case the user may be required to take adequate measures.

Clase A. Aviso de ITE

ADVERTENCIA: Este es un producto de Clase A. En un ambiente doméstico este producto puede causar interferencia de radio en cuyo caso puede ser requerido tomar medidas adecuadas.

Klasse A ITE Anmerkung

WARNHINWEIS: Dieses Produkt zählt zur Klasse A (Industriebereich). In Wohnbereichen kann es hierdurch zu Funkstörungen kommen, daher sollten angemessene Vorkehrungen zum Schutz getroffen werden.

VCCI Notice

This is a class A product based on the standard of the Voluntary Control Council for Interference by Information Technology Equipment (VCCI). If this equipment is used in a domestic environment, radio disturbance may arise. When such trouble occurs, the user may be required to take corrective actions.

この装置は、情報処理装置等電波障害自主規制協議会（VCCI）の基準に基づくクラスA情報技術装置です。この装置を家庭環境で使用すると電波妨害を引き起こすことがあります。この場合には使用者が適切な対策を講ずるよう要求されることがあります。

BSMI EMC Statement — Taiwan

This is a class A product. In a domestic environment this product may cause radio interference in which case the user may be required to take adequate measures.

警告使用者：

這是甲類的資訊產品，在居住的環境中使用時，可能會造成射頻干擾，在這種情況下，使用者會被要求採取某些適當的對策。

AS/NZS CISPR 22



Hazardous Substances

This product complies with the requirements of European Directive, 2002/95/EC, Restriction of Hazardous Substances (RoHS) in Electrical and Electronic Equipment.

European Waste Electrical and Electronic Equipment (WEEE) Notice



In accordance with Directive 2002/96/EC of the European Parliament on waste electrical and electronic equipment (WEEE):

- The symbol above indicates that separate collection of electrical and electronic equipment is required and that this product was placed on the European market after August 13, 2005, the date of enforcement for Directive 2002/96/EC.
- When this product has reached the end of its serviceable life, it cannot be disposed of as unsorted municipal waste. It must be collected and treated separately.
- It has been determined by the European Parliament that there are potential negative effects on the environment and human health as a result of the presence of hazardous substances in electrical and electronic equipment.
- It is the users' responsibility to utilize the available collection system to ensure WEEE is properly treated.

For information about the available collection system, please go to www.enterasys.com/services/support/ or contact Enterasys Customer Support at 353 61 705586 (Ireland).

Safety Information Class 1 Laser Transceivers

The single mode interface modules use Class 1 laser transceivers. Read the following safety information before installing or operating these modules.

The Class 1 laser transceivers use an optical feedback loop to maintain Class 1 operation limits. This control loop eliminates the need for maintenance checks or adjustments. The output is factory set, and does not allow any user adjustment. Class 1 Laser transceivers comply with the following safety standards:

- 21 CFR 1040.10 and 1040.11 U.S. Department of Health and Human Services (FDA).
- IEC Publication 825 (International Electrotechnical Commission).
- CENELEC EN 60825 (European Committee for Electrotechnical Standardization).

When operating within their performance limitations, laser transceiver output meets the Class 1 accessible emission limit of all three standards. Class 1 levels of laser radiation are not considered hazardous.

When the connector is in place, all laser radiation remains within the fiber. The maximum amount of radiant power exiting the fiber (under normal conditions) is -12.6 dBm or 55×10^{-6} watts.

Removing the optical connector from the transceiver allows laser radiation to emit directly from the optical port. The maximum radiance from the optical port (under worst case conditions) is 0.8 W cm^{-2} or $8 \times 10^3 \text{ W m}^{-2} \text{ sr}^{-1}$.

Do not use optical instruments to view the laser output. The use of optical instruments to view laser output increases eye hazard. When viewing the output optical port, power must be removed from the network adapter.

Safety Compliance

Warning: Fiber Optic Port Safety

**CLASS I
LASER DEVICE**

When using a fiber optic media expansion module, never look at the transmit laser while it is powered on. Also, never look directly at the fiber TX port and fiber cable ends when they are powered on.

Avertissement: Ports pour fibres optiques - sécurité sur le plan optique

**DISPOSITIF LASER
DE CLASSE I**

Ne regardez jamais le laser tant qu'il est sous tension. Ne regardez jamais directement le port TX (Transmission) à fibres optiques et les embouts de câbles à fibres optiques tant qu'ils sont sous tension.

Warnhinweis: Faseroptikanschlüsse - Optische Sicherheit

**LASERGERÄT
DER KLASSE I**

Niemals ein Übertragungslaser betrachten, während dieses eingeschaltet ist. Niemals direkt auf den Faser-TX-Anschluss und auf die Faserkabelenden schauen, während diese eingeschaltet sind.

产品说明书附件 Supplement to Product Instructions

部件名称 (Parts)	有毒有害物质或元素 (Hazardous Substance)					
	铅 (Pb)	汞 (Hg)	镉 (Cd)	六价铬 (Cr ⁶⁺)	多溴联苯 (PBB)	多溴二苯醚 (PBDE)
金属部件 (Metal Parts)	×	○	○	○	○	○
电路模块 (Circuit Modules)	×	○	○	○	○	○
电缆及电缆组件 (Cables & Cable Assemblies)	×	○	○	○	○	○
塑料和聚合物部件 (Plastic and Polymeric parts)	○	○	○	○	○	○
电路开关 (Circuit Breakers)	○	○	○	○	○	○

○：表示该有害物质在该部件所有均质材料中的含量均在 SJ/T 11363-2006 标准规定的限量要求以下。Indicates that the concentration of the hazardous substance in all homogeneous materials in the parts is below the relevant threshold of the SJ/T 11363-2006 standard.

×：表示该有害物质至少在该部件的某一均质材料中的含量超出 SJ/T 11363-2006 标准规定的限量要求。Indicates that the concentration of the hazardous substance of at least one of all homogeneous materials in the parts is above the relevant threshold of the SJ/T 11363-2006 standard.

对销售之日的所售产品, 本表显示, 凯创供应链的电子产品信息可能包含这些物质。注意: 在所售产品中可能会也可能不会含有所有列出的部件。This table shows where these substances may be found in the supply chain of Enterasys' electronic information products, as of the date of sale of the enclosed product. Note that some of the component types listed above may or may not be a part of the enclosed product.

除非另外特别的标注, 此标志为针对所涉及产品的环保使用期标志。某些零部件会有一个不同的环保使用期(例如, 电池单元模块)贴在其产品上。此环保使用期限只适用于产品是在产品手册中所规定的条件下工作。The Environmentally Friendly Use Period (EFUP) for all enclosed products and their parts are per the symbol shown here, unless otherwise marked. Certain parts may have a different EFUP (for example, battery modules) and so are marked to reflect such. The Environmentally Friendly Use Period is valid only when the product is operated under the conditions defined in the product manual.



Declaration of Conformity

Application of Council Directive(s): **2004/108/EC
2006/95/EC**

Manufacturer's Name: **Enterasys Networks, Inc.**
Manufacturer's Address: **50 Minuteman Road
Andover, MA 01810
USA**

European Representative Address: **Enterasys Networks Ltd.
Nexus House, Newbury
Business Park
London Road, Newbury
Berkshire RG14 2PZ, England**

Conformance to
Directive(s)/Product Standards: **EC Directive 2004/108/EC
EN 55022:2006
EN 55024:1998**

**A1:2001
A2:2003**

**EN 61000-3-2:2006
EN 61000-3-3:1995**

**A1:2001
A2:2005**

**EC Directive 2006/95/EC
EN 60950-1:2006**

**A11:2009
A1:2010**

**EN 60825-1:2007
EN 60825-2:2004**

A1:2007

Equipment Type/Environment: **Information Technology Equipment,
for use in a Commercial
or Light Industrial Environment.**

Enterasys Networks, Inc. declares that the equipment packaged with this notice conforms to the above directives.

Enterasys® Redundant Power Supply for Non-PoE Fixed Switches

Quick Reference

STK-RPS-150PS

STK-RPS-150CH2

08A-RPS-150



P/N 9034554-04