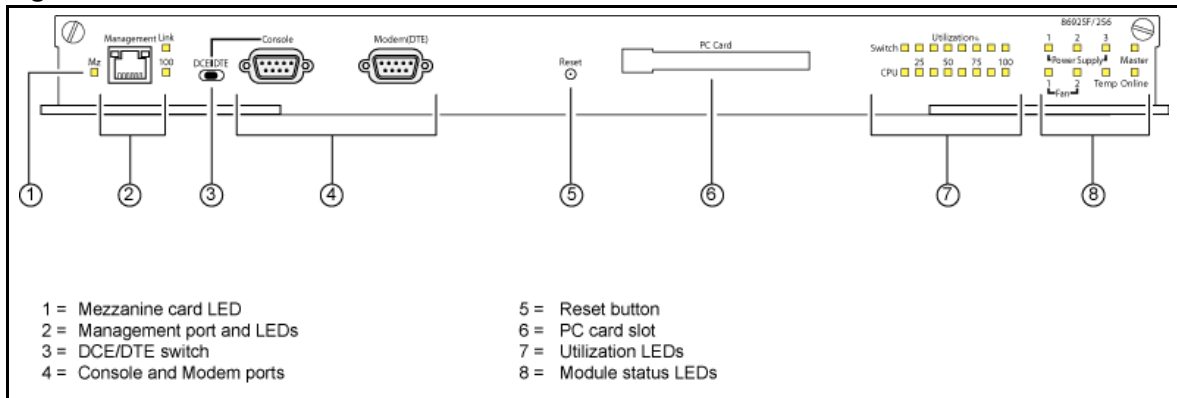


# Important Notice — Minimum software for 8692 SF/CPU modules on Avaya Ethernet Routing Switch 8600

In order for the hardware version of the 8692 SF/CPU module you are receiving to function properly, the module must run on a minimum software release of 4.1.8.2 or later code (when running 4.1.x.0 code stream) or 5.0.1.0 or later code. Do not downgrade to an earlier release of code, otherwise the module may not function properly.

The new SF/CPU modules can be identified by the **PC Card** label on the PCMCIA slot, as shown in the following figure (see number 6).

**Figure 1** 8692 SF/CPU module



With previous versions of the module, the slot was labeled **PCMCIA**.

Avaya provides a telephone number for you to use to report problems or to ask questions about your product. The support telephone number is 1-800-242-2121 in the United States. For additional support telephone numbers, see the Avaya Web site:

[www.avaya.com/support](http://www.avaya.com/support).