

## Overview of the WS-AP3715

The WS-AP3715 is designed to extend your Wireless LAN around indoor locations. The WS-AP3715 supports the 802.11n wireless standard, with full backward compatibility with legacy 802.11a, 802.11g, and 802.11b devices. The WS-AP3715 interoperates fully with Wireless LANs, including support for VoWLAN, branch office mode, guest services, RTLS, availability and mobility features.

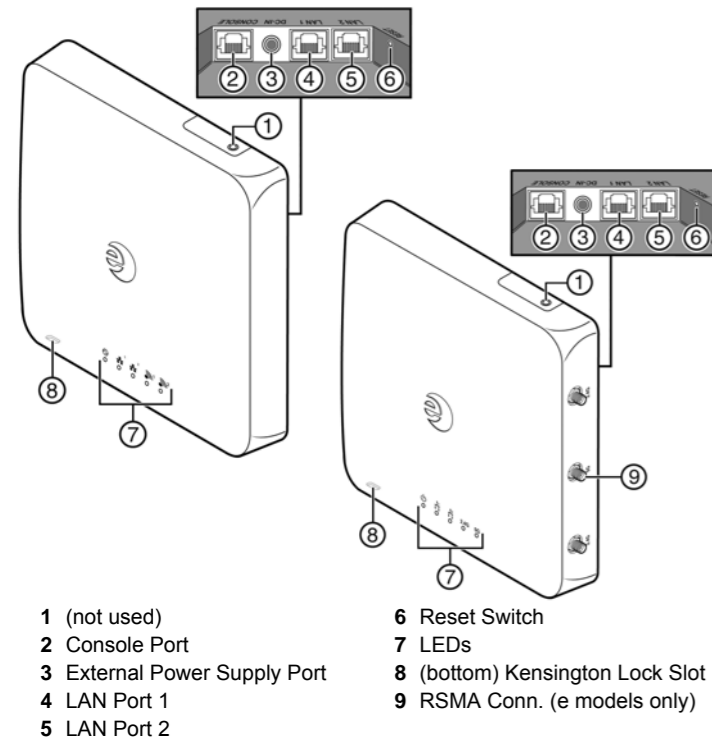
**Note:** The WS-AP3715 are available in both an "i" model (with internal antennas), and an "e" model (with external antennas). Within this Quick Reference, any reference to WS-AP3715 applies to all models.

WS-AP3715s have the following features:

- Radios: 2 radios (2.4GHz and 5GHz)
- LEDs: 5 (see [Figure 2](#))
- Power: <12.95W; 802.3af (see [Table 1](#))
- Antennas:
  - WS-AP3715i: 6 **internal** dual-band antenna assemblies
  - WS-AP3715e: 6 **external** RSMA antenna connectors (external antennas must be ordered separately)
- Mounting Brackets for 15/16" drop ceiling T-bar rail:
  - 1 protruded drop ceiling rail bracket
  - 1 flat drop ceiling rail bracket

[Figure 1](#), left shows a front view of the WS-AP3715i, and [Figure 1](#), right shows a front view of the WS-AP3715e.

**Figure 1 Front View of Access Points**

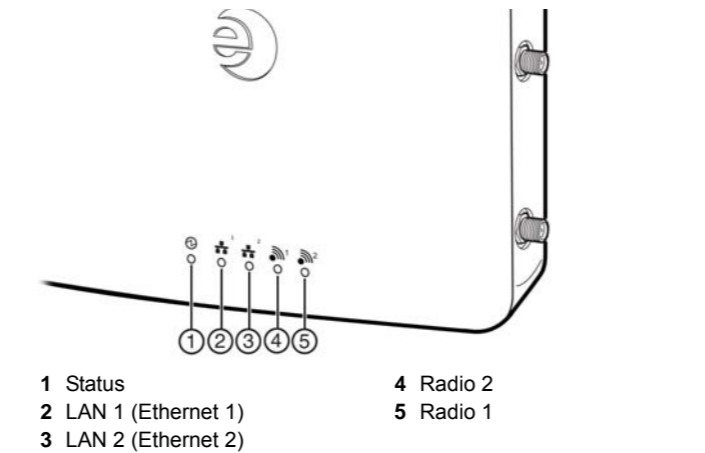


[Table 1](#) shows ways to power the WS-AP3715:

**Table 1 Powering the WS-AP3715**

Power Source	Description
Power over Ethernet (PoE)	Power is provided through the RJ45 Ethernet port (LAN port) on the top of the WS-AP3715. This is the preferred method of powering the AP on ceiling and high wall installations.
External 12V DC power (optional)	The WS-AP3715 can also be powered by an external DC power supply plugged into an AC source. Plug the supply's input jack into the DC-In port (callout 3 in <a href="#">Figure 1</a> ).

**Figure 2 LEDs on AP Front Face**



Green LEDs mean ON. Amber LEDs mean OFF. For detailed installation information about the WS-AP3715, see the *Enterasys Wireless AP3715 Installation Guide* at <https://extranet.enterasys.com/downloads>.

## Mounting and Connecting the APs

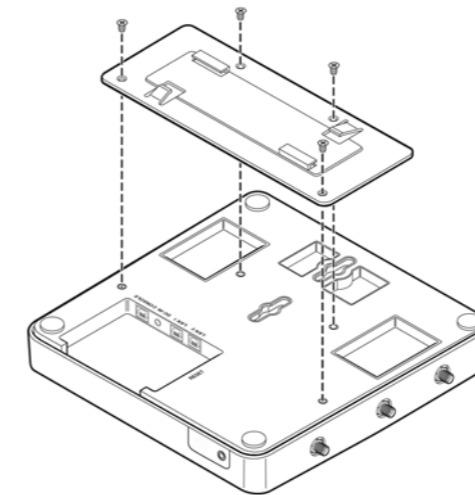
**Electrical Hazard:** Only qualified personnel should perform installation procedures.

Mounting brackets are included for quick and easy mounting of the WS-AP3715 to walls and drop ceilings. Use these instructions as guidelines for mounting and connecting the WS-AP3715 easily and safely.

### Mounting on a Drop Ceiling

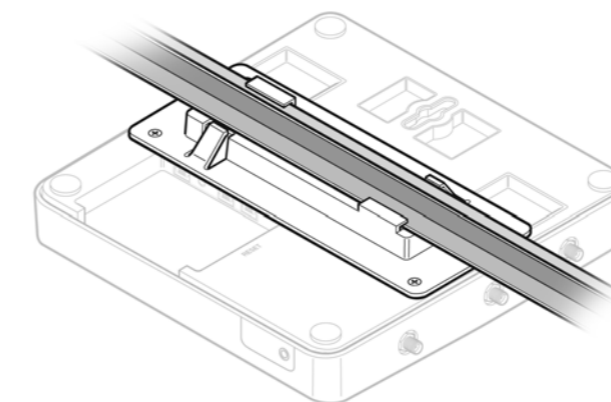
1. Attach the T-bar rail mount bracket to the back of the AP. Place the bracket against the AP back, aligned as shown in [Figure 3](#), with screw holes matched up. Screw the provided screws (M3) through the bracket into the AP back as shown in [Figure 3](#).

**Figure 3 Attaching Mount Bracket to AP**



2. Remove the ceiling panels around the drop ceiling T-bar rails where you intend to mount the AP. Verify that the Ethernet cable that will connect to the AP can reach the AP at the point where you plan to mount it.
3. Hold the AP with the bracket against the flat side of the T-bar rail and [nearly] parallel to it. The clamping tabs fit over the rail easily if you slide one bracket tab over the lip of the rail, at a very slight angle to the rail, and then twist the AP so that the opposite bracket tab slides over the opposite rail lip. There are flex tabs immediately opposite each bracket tab, to stabilize the bracket against the rail during the twisting motion.
4. With both bracket tabs over the T-bar rail lips, tap the AP to verify it is stable and won't fall off. [Figure 4](#) illustrates the AP and bracket mounted on a T-bar rail.

**Figure 4 WS-AP3715 Mounted on Drop Ceiling T-bar Rail**



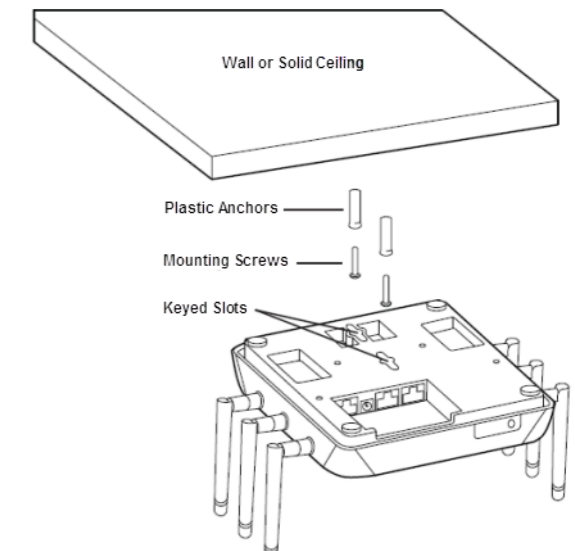
5. Make a hole through the ceiling panel closest to the power slot on the AP. Then run the Ethernet cable through the hole and into an RJ45 LAN port in the recessed connector bay.
6. Replace the displaced ceiling panels.

### Mounting on a Wall/Solid Flat Ceiling

1. Determine the spot on the wall where the AP is to be mounted, preferably high up on the wall (near the ceiling for maximum radio wave dispersion) but in reach of the Ethernet cable and a wall power outlet if you are not able to use Power over Ethernet.

2. Drill 2 holes in the wall to match the center of the two keyhole slots in the back of the AP. For a tight fit, the holes should be slightly smaller than the diameter of the provided plastic anchors.
3. Tap the plastic anchors into the holes with a hammer until they are flush with the wall, and screw the provided mounting screws into the anchors, with the head protruding 1/16" from the anchor.
4. Place the back of the AP against the wall with the protruding mounting screw heads fitting through the keyhole slots on the back of the AP, and slide the AP down until the AP rests on the mounting screw heads. [Figure 5](#) shows an exploded view of this mounting method.

**Figure 5 Mounting the WS-AP3715 to a Flat Wall or Solid Ceiling**



### Connecting a Power Supply to the WS-AP3715

If you need to power the WS-AP3715 with an external 12V DC Power Supply, you can plug the power cord into the power connector (callout 3 in [Figure 1](#)) on the back of the AP. There is no wall mount for the 12V DC Power Supply. When the device is powered on, the power LED on the front face of the AP is lit. Refer to the *Enterasys Wireless AP3715 Installation Guide* for information about optional power supplies.

### LAN/Console Connections

The WS-AP3715 has two LAN (Ethernet) ports and a Console port. Refer to [Figure 1](#) for the location of these ports. During administration and maintenance through the LAN or Console, the AP must still have a power connection through either an Ethernet PoE cable or a DC power supply.

**Note:** LAN/Console connectors with shrouds will not fit into the ports. An optional jumper cable may be used or the shroud removed.

### Antennas (WS-AP3715e only)

Install the external antennas intended for area coverage. For information about antenna selection and installation, refer to the *Enterasys Wireless AP3715 Installation Guide*.

## Notice

Enterasys Networks reserves the right to make changes in specifications and other information contained in this document and its Web site without prior notice. The reader should in all cases consult Enterasys Networks to determine whether any such changes have been made.

The hardware, firmware, or software described in this document is subject to change without notice.

IN NO EVENT SHALL Enterasys Networks BE LIABLE FOR ANY INCIDENTAL, INDIRECT, SPECIAL, OR CONSEQUENTIAL DAMAGES WHATSOEVER (INCLUDING BUT NOT LIMITED TO LOST PROFITS) ARISING OUT OF OR RELATED TO THIS DOCUMENT, WEB SITE, OR THE INFORMATION CONTAINED IN THEM, EVEN IF Enterasys Networks HAS BEEN ADVISED OF, KNEW OF, OR SHOULD HAVE KNOWN OF, THE POSSIBILITY OF SUCH DAMAGES.

Enterasys Networks, Inc.  
9 Northeastern Boulevard  
Salem, NH 03079

© 2013 Enterasys Networks, Inc. All rights reserved.  
Part Number: 9034756-02 June 2013

ENTERASYS and ENTERASYS NETWORKS and any logos associated therewith, are trademarks or registered trademarks of Enterasys Networks, Inc., in the United States and/or other countries. For a complete list of Enterasys trademarks, see <http://www.enterasys.com/company/trademarks.aspx>.

All other product names mentioned in this document may be trademarks or registered trademarks of their respective companies.

## Regulatory and Compliance Information

### Safety Guidelines

This section contains notices that intended to protect your personal safety and prevent damage to the equipment.

### Qualified Personnel:



**Electrical Hazard:** Only qualified personnel should perform installation procedures. Within the context of the safety notes in this documentation qualified persons are defined as persons who are authorized to commission, ground and label devices, systems and circuits in accordance with established safety practices and standards. A qualified person understands the requirements and risks involved with installing outdoor electrical equipment in accordance with national codes.

### Federal Communications Commission (FCC) Notice:

This device complies with Part 15 of the FCC rules. Operation is subject to the following two conditions: (1) this device may not cause harmful interference, and (2) this device must accept any interference received, including interference that may cause undesired operation.



**Warning:** Changes or modifications made to this device which are not expressly approved by the party responsible for compliance could void the user's authority to operate the equipment.

### Industry Canada Notice:

This digital apparatus does not exceed the Class B limits for radio noise emissions from digital apparatus set out in the Radio Interference Regulations for the Canadian Department of Communications.

Le présent appareil numérique n'émet pas de bruits radioélectriques dépassant les limites applicables aux appareils

numériques de la class B prescrites dans le Règlement sur le brouillage radioélectrique édicté par le ministère des Communications du Canada.

Refer to the *Enterasys Wireless AP3715 Installation Guide*, Appendix B, "Regulatory Information," for complete compliance information.

### 产品说明书附件 Supplement to Product Instructions

部件名称 (Parts)	有毒有害物质或元素 (Hazardous Substance)					
	铅 (Pb)	汞 (Hg)	镉 (Cd)	六价铬 (Cr <sup>6+</sup> )	多溴联苯 (PBB)	多溴二苯醚 (PBDE)
金属部件 (Metal Parts)	×	○	○	×	○	○
电路模块 (Circuit Modules)	×	○	○	×	○	○
电缆及电缆组件 (Cables & Cable Assemblies)	×	○	○	×	○	○
塑料和聚合物部件 (Plastic and Polymeric parts)	○	○	○	○	○	×
电路开关 (Circuit Breakers)	○	○	×	×	○	○

○: 表示该有害物质在该部件所有均质材料中的含量均在 SJ/T 11363-2006 标准规定的限量要求以下。  
Indicates that the concentration of the hazardous substance in all homogeneous materials in the parts is below the relevant threshold of the SJ/T 11363-2006 standard.

×: 表示该有害物质至少在该部件的某一均质材料中的含量超出 SJ/T 11363-2006 标准规定的限量要求。  
Indicates that the concentration of the hazardous substance of at least one of all homogeneous materials in the parts is above the relevant threshold of the SJ/T 11363-2006 standard.

对销售之目的所售产品, 本表显示, 凯创供应链的电子产品信息产品可能包含这些物质。注意: 在所售产品中可能会也可能不会含有所有列出的部件。  
This table shows where these substances may be found in the supply chain of Enterasys' electronic information products, as of the date of sale of the enclosed product. Note that some of the component types listed above may or may not be a part of the enclosed product.

除非另外特别的标注, 此标志为针对所涉产品的环保使用期标志。某些零部件会有一个不同的环保使用期(例如, 电池单元模块) 贴在其产品上。  
此环保使用期限只适用于产品是在产品手册中所规定的条件下工作。  
The Environmentally Friendly Use Period (EFUP) for all enclosed products and their parts are per the symbol shown here, unless otherwise marked. Certain parts may have a different EFUP (for example, battery modules) and so are marked to reflect such. The Environmentally Friendly Use Period is valid only when the product is operated under the conditions defined in the product manual.

### Hazardous Substances

This product complies with the requirements of European Directive, 2002/95/EC, Restriction of Hazardous Substances (RoHS) in Electrical and Electronic Equipment.

### European Waste Electrical and Electronic Equipment (WEEE) Notice



In accordance with Directive 2002/96/EC of the European Parliament on waste electrical and electronic equipment (WEEE):

1. The symbol above indicates that separate collection of electrical and electronic equipment is required and that this product was placed on the European market after August 13, 2005, the date of enforcement for Directive 2002/96/EC.
2. When this product has reached the end of its serviceable life, it cannot be disposed of as unsorted municipal waste. It must be collected and treated separately.
3. It has been determined by the European Parliament that there are potential negative effects on the environment and human health as a result of the presence of hazardous substances in electrical and electronic equipment.
4. It is the users' responsibility to utilize the available collection system to ensure WEEE is properly treated.

For information about the available collection system, please contact Enterasys Customer Support at +353 61 705500 (Ireland).

## Declaration of Conformity in Languages of the European Community

English Hereby, Enterasys, declares that this Radio LAN device is in compliance with the essential requirements and other relevant provisions of Directive 1999/5/EC.

Finnish Valmistaja Enterasys vakuuttaa täten että Radio LAN device tyypinen laite on direktiivin 1999/5/EY oleellisten vaatimusten ja sitä koskevien direktiivin muiden ehtojen mukainen.

Dutch Hierbij verklaart Enterasys dat het toestel Radio LAN device in overeenstemming is met de essentiële eisen en de andere relevante bepalingen van richtlijn 1999/5/EG.

Bij deze verklaart Enterasys dat deze Radio LAN device voldoet aan de essentiële eisen en aan de overige relevante bepalingen van Richtlijn 1999/5/EC.

French Par la présente Enterasys déclare que l'appareil Radio LAN device est conforme aux exigences essentielles et aux autres dispositions pertinentes de la directive 1999/5/CE.

Par la présente, Enterasys déclare que ce Radio LAN device est conforme aux exigences essentielles et aux autres dispositions de la directive 1999/5/CE qui lui sont applicables.

Swedish Härmed intygar Enterasys att denna Radio LAN device står i överensstämmelse med de väsentliga egenskapskrav och övriga relevanta bestämmelser som framgår av direktiv 1999/5/EG.

Danish Undertegnede Enterasys erklærer herved, at følgende udstyr Radio LAN device overholder de væsentlige krav og øvrige relevante krav i direktiv 1999/5/EF.

German Hiermit erkläre Enterasys die Übereinstimmung des "WLAN Wireless Controller bzw. Access Points" mit den grundlegenden Anforderungen und den anderen relevanten Festlegungen der Richtlinie 1999/5/EG.

Greek ΜΕ ΤΗΝ ΠΑΡΟΥΣΑ Enterasys ΔΗΛΩΝΕΙ ΟΤΙ Radio LAN device ΣΥΜΜΟΡΦΩΝΕΤΑΙ ΠΡΟΣ ΤΙΣ ΟΥΣΙΩΔΕΙΣ ΑΠΑΙΤΗΣΕΙΣ ΚΑΙ ΤΙΣ ΛΟΙΠΕΣ ΣΧΕΤΙΚΕΣ ΔΙΑΤΑΞΕΙΣ ΤΗΣ ΟΔΗΓΙΑΣ 1999/5/ΕΚ.

Icelandic Enterasys lýsir her með yfir að thessi bunadur, Radio LAN device, uppfyllir allar grunnkröfur, sem gerdar eru í R&TTE tilskipun ESB nr 1999/5/EC.

Italian Con la presente Enterasys dichiara che questo Radio LAN device è conforme ai requisiti essenziali ed alle altre disposizioni pertinenti stabilite dalla direttiva 1999/5/CE.

Spanish Por medio de la presente Enterasys declara que el Radio LAN device cumple con los requisitos esenciales y cualesquiera otras disposiciones aplicables o exigibles de la Directiva 1999/5/CE.

Portuguese Enterasys declara que este Radio LAN device está conforme com os requisitos essenciais e outras disposições da Directiva 1999/5/CE.

Malti Hawnhekk, Enterasys, jiddikjara li dan Radio LAN device jikkonforma mal-htigijiet essenzjali u ma provvedimenti oħrajn rilevanti li hemm fid-Dirrettiva 1999/5/EC.

# Enterasys® Wireless

## Access Points

### Quick Reference

## WS-AP3715i WS-AP3715e

