



Installing Transceivers and Optical Components on Avaya Ethernet Routing Switch 3500 Series

Release 5.3
NN47203-302
Issue 04.01
July 2015

© 2015 Avaya Inc.
All Rights Reserved.

Notice

While reasonable efforts have been made to ensure that the information in this document is complete and accurate at the time of printing, Avaya assumes no liability for any errors. Avaya reserves the right to make changes and corrections to the information in this document without the obligation to notify any person or organization of such changes.

Documentation disclaimer

"Documentation" means information published by Avaya in varying mediums which may include product information, operating instructions and performance specifications that Avaya may generally make available to users of its products and Hosted Services. Documentation does not include marketing materials. Avaya shall not be responsible for any modifications, additions, or deletions to the original published version of documentation unless such modifications, additions, or deletions were performed by Avaya. End User agrees to indemnify and hold harmless Avaya, Avaya's agents, servants and employees against all claims, lawsuits, demands and judgments arising out of, or in connection with, subsequent modifications, additions or deletions to this documentation, to the extent made by End User.

Link disclaimer

Avaya is not responsible for the contents or reliability of any linked websites referenced within this site or documentation provided by Avaya. Avaya is not responsible for the accuracy of any information, statement or content provided on these sites and does not necessarily endorse the products, services, or information described or offered within them. Avaya does not guarantee that these links will work all the time and has no control over the availability of the linked pages.

Warranty

Avaya provides a limited warranty on Avaya hardware and software. Refer to your sales agreement to establish the terms of the limited warranty. In addition, Avaya's standard warranty language, as well as information regarding support for this product while under warranty is available to Avaya customers and other parties through the Avaya Support website: <http://support.avaya.com> or such successor site as designated by Avaya. Please note that if You acquired the product(s) from an authorized Avaya Channel Partner outside of the United States and Canada, the warranty is provided to You by said Avaya Channel Partner and not by Avaya.

Licenses

THE SOFTWARE LICENSE TERMS AVAILABLE ON THE AVAYA WEBSITE, [HTTP://SUPPORT.AVAYA.COM/LICENSEINFO](http://support.avaya.com/licenseinfo) OR SUCH SUCCESSOR SITE AS DESIGNATED BY AVAYA, ARE APPLICABLE TO ANYONE WHO DOWNLOADS, USES AND/OR INSTALLS AVAYA SOFTWARE, PURCHASED FROM AVAYA INC., ANY AVAYA AFFILIATE, OR AN AVAYA CHANNEL PARTNER (AS APPLICABLE) UNDER A COMMERCIAL AGREEMENT WITH AVAYA OR AN AVAYA CHANNEL PARTNER. UNLESS OTHERWISE AGREED TO BY AVAYA IN WRITING, AVAYA DOES NOT EXTEND THIS LICENSE IF THE SOFTWARE WAS OBTAINED FROM ANYONE OTHER THAN AVAYA, AN AVAYA AFFILIATE OR AN AVAYA CHANNEL PARTNER; AVAYA RESERVES THE RIGHT TO TAKE LEGAL ACTION AGAINST YOU AND ANYONE ELSE USING OR SELLING THE SOFTWARE WITHOUT A LICENSE. BY INSTALLING, DOWNLOADING OR USING THE SOFTWARE, OR AUTHORIZING OTHERS TO DO SO, YOU, ON BEHALF OF YOURSELF AND THE ENTITY FOR WHOM YOU ARE INSTALLING, DOWNLOADING OR USING THE SOFTWARE (HEREINAFTER REFERRED TO INTERCHANGEABLY AS "YOU" AND "END USER"), AGREE TO THESE TERMS AND CONDITIONS AND CREATE A BINDING CONTRACT BETWEEN YOU AND AVAYA INC. OR THE APPLICABLE AVAYA AFFILIATE ("AVAYA").

Avaya grants You a license within the scope of the license types described below, with the exception of Heritage Nortel Software, for which the scope of the license is detailed below. Where the order documentation does not expressly identify a license type, the applicable license will be a Designated System License. The

applicable number of licenses and units of capacity for which the license is granted will be one (1), unless a different number of licenses or units of capacity is specified in the documentation or other materials available to You. "Software" means computer programs in object code, provided by Avaya or an Avaya Channel Partner, whether as stand-alone products, pre-installed on hardware products, and any upgrades, updates, patches, bug fixes, or modified versions thereto. "Designated Processor" means a single stand-alone computing device. "Server" means a Designated Processor that hosts a software application to be accessed by multiple users. "Instance" means a single copy of the Software executing at a particular time: (i) on one physical machine; or (ii) on one deployed software virtual machine ("VM") or similar deployment.

Licence types

Designated System(s) License (DS). End User may install and use each copy or an Instance of the Software only on a number of Designated Processors up to the number indicated in the order. Avaya may require the Designated Processor(s) to be identified in the order by type, serial number, feature key, Instance, location or other specific designation, or to be provided by End User to Avaya through electronic means established by Avaya specifically for this purpose.

Heritage Nortel Software

"Heritage Nortel Software" means the software that was acquired by Avaya as part of its purchase of the Nortel Enterprise Solutions Business in December 2009. The Heritage Nortel Software currently available for license from Avaya is the software contained within the list of Heritage Nortel Products located at <http://support.avaya.com/LicenseInfo> under the link "Heritage Nortel Products" or such successor site as designated by Avaya. For Heritage Nortel Software, Avaya grants You a license to use Heritage Nortel Software provided hereunder solely to the extent of the authorized activation or authorized usage level, solely for the purpose specified in the Documentation, and solely as embedded in, for execution on, or for communication with Avaya equipment. Charges for Heritage Nortel Software may be based on extent of activation or use authorized as specified in an order or invoice.

Copyright

Except where expressly stated otherwise, no use should be made of materials on this site, the Documentation, Software, Hosted Service, or hardware provided by Avaya. All content on this site, the documentation, Hosted Service, and the product provided by Avaya including the selection, arrangement and design of the content is owned either by Avaya or its licensors and is protected by copyright and other intellectual property laws including the sui generis rights relating to the protection of databases. You may not modify, copy, reproduce, republish, upload, post, transmit or distribute in any way any content, in whole or in part, including any code and software unless expressly authorized by Avaya. Unauthorized reproduction, transmission, dissemination, storage, and or use without the express written consent of Avaya can be a criminal, as well as a civil offense under the applicable law.

Third Party Components

"Third Party Components" mean certain software programs or portions thereof included in the Software or Hosted Service may contain software (including open source software) distributed under third party agreements ("Third Party Components"), which contain terms regarding the rights to use certain portions of the Software ("Third Party Terms"). As required, information regarding distributed Linux OS source code (for those products that have distributed Linux OS source code) and identifying the copyright holders of the Third Party Components and the Third Party Terms that apply is available in the products, Documentation or on Avaya's website at: <http://support.avaya.com/Copyright> or such successor site as designated by Avaya. You agree to the Third Party Terms for any such Third Party Components.

Preventing Toll Fraud

"Toll Fraud" is the unauthorized use of your telecommunications system by an unauthorized party (for example, a person who is not a corporate employee, agent, subcontractor, or is not working on your company's behalf). Be aware that there can be a risk of Toll Fraud associated with your system and that, if Toll Fraud occurs, it can

result in substantial additional charges for your telecommunications services.

Avaya Toll Fraud intervention

If You suspect that You are being victimized by Toll Fraud and You need technical assistance or support, call Technical Service Center Toll Fraud Intervention Hotline at +1-800-643-2353 for the United States and Canada. For additional support telephone numbers, see the Avaya Support website: <http://support.avaya.com> or such successor site as designated by Avaya. Suspected security vulnerabilities with Avaya products should be reported to Avaya by sending mail to: securityalerts@avaya.com.

Downloading Documentation

For the most current versions of Documentation, see the Avaya Support website: <http://support.avaya.com>, or such successor site as designated by Avaya.

Contact Avaya Support

See the Avaya Support website: <http://support.avaya.com> for product or Hosted Service notices and articles, or to report a problem with your Avaya product or Hosted Service. For a list of support telephone numbers and contact addresses, go to the Avaya Support website: <http://support.avaya.com> (or such successor site as designated by Avaya), scroll to the bottom of the page, and select Contact Avaya Support.

Trademarks

The trademarks, logos and service marks ("Marks") displayed in this site, the Documentation, Hosted Service(s), and product(s) provided by Avaya are the registered or unregistered Marks of Avaya, its affiliates, or other third parties. Users are not permitted to use such Marks without prior written consent from Avaya or such third party which may own the Mark. Nothing contained in this site, the Documentation, Hosted Service(s) and product(s) should be construed as granting, by implication, estoppel, or otherwise, any license or right in and to the Marks without the express written permission of Avaya or the applicable third party.

Avaya is a registered trademark of Avaya Inc.

All non-Avaya trademarks are the property of their respective owners. Linux[®] is the registered trademark of Linus Torvalds in the U.S. and other countries.

Contents

Chapter 1: Introduction	6
Purpose.....	6
Related resources.....	6
Documentation.....	6
Training.....	6
Viewing Avaya Mentor videos.....	7
Searching a documentation collection.....	7
Subscribing to e-notifications.....	8
Support.....	10
Chapter 2: New in this release	11
Features.....	11
Other changes.....	11
Chapter 3: Safety and equipment care information	12
Fiber optic equipment care.....	12
Fiber optic cable care.....	12
Fiber optic connector care.....	13
Cleaning single connectors.....	14
Cleaning duplex connectors.....	15
Cleaning receptacles.....	16
Chapter 4: SFP	18
SFP transceivers.....	18
Selecting an SFP.....	18
Installing an SFP.....	20
Removing an SFP.....	22
SFP specifications.....	23
SFP labels.....	23
General SFP specifications.....	24
Supported SFP transceivers.....	24
Chapter 5: SFP+	36
SFP+ transceivers.....	36
Selecting an SFP+.....	36
Installing an SFP+.....	37
Removing an SFP+.....	39
SFP+ specifications.....	40
SFP+ labels.....	40
General SFP+ specifications.....	41
Supported SFP+ transceivers.....	41
Chapter 6: Translations of safety messages	49
Class A electromagnetic interference warning statement.....	49

Electrostatic discharge caution statement.....	50
Laser eye safety danger statement.....	51
Laser eye safety connector inspection danger statement.....	52
Connector cleaning safety danger statement.....	53
Optical fiber damage warning statement.....	55
Optical fiber connector damage warning statement.....	56
SFP damage warning statement.....	57
Glossary	59

Chapter 1: Introduction

Purpose

This document provides installation instructions and technical specifications for the following:

- Small form factor pluggable (SFP) transceivers
- SFP plus (SFP+) transceivers

For a list of supported transceivers, see the latest product-specific release notes. Information in the release notes takes precedence over information in this document.

Related resources

Documentation

See *Documentation Reference for Avaya Ethernet Routing Switch 3500 Series*, NN47203-101 for a list of the documentation for this product.

For more information about new features of the switch and important information about the latest release, see *Release Notes for Avaya Ethernet Routing Switch 3500 Series*, NN47203-400.

For more information about how to configure security, see *Configuring Security on Avaya Ethernet Routing Switch 3500 Series*, NN47203-504.

For the current documentation, see the Avaya Support website: www.avaya.com/support.

Training

Ongoing product training is available. For more information or to register, see <http://avaya-learning.com/>.

Enter the course code in the **Search** field and click **Go** to search for the course.

Course code	Course title
8D00020E	Stackable ERS and VSP Products Virtual Campus Offering

Viewing Avaya Mentor videos

Avaya Mentor videos provide technical content on how to install, configure, and troubleshoot Avaya products.

About this task

Videos are available on the Avaya Support website, listed under the video document type, and on the Avaya-run channel on YouTube.

Procedure

- To find videos on the Avaya Support website, go to <http://support.avaya.com> and perform one of the following actions:
 - In **Search**, type `Avaya Mentor Videos` to see a list of the available videos.
 - In **Search**, type the product name. On the Search Results page, select **Video** in the **Content Type** column on the left.
- To find the Avaya Mentor videos on YouTube, go to www.youtube.com/AvayaMentor and perform one of the following actions:
 - Enter a key word or key words in the **Search Channel** to search for a specific product or topic.
 - Scroll down Playlists, and click the name of a topic to see the available list of videos posted on the website.

 **Note:**

Videos are not available for all products.

Searching a documentation collection

On the Avaya Support website, you can download the documentation library for a specific product and software release to perform searches across an entire document collection. For example, you can perform a single, simultaneous search across the collection to quickly find all occurrences of a particular feature. Use this procedure to perform an index search of your documentation collection.

Before you begin

- Download the documentation collection zip file to your local computer.
- You must have Adobe Acrobat or Adobe Reader installed on your computer.

Procedure

1. Extract the document collection zip file into a folder.
2. Navigate to the folder that contains the extracted files and open the file named `<product_name_release>.pdx`.

3. In the Search dialog box, select the option **In the index named <product_name_release>.pdx**.
4. Enter a search word or phrase.
5. Select any of the following to narrow your search:
 - Whole Words Only
 - Case-Sensitive
 - Include Bookmarks
 - Include Comments
6. Click **Search**.

The search results show the number of documents and instances found. You can sort the search results by Relevance Ranking, Date Modified, Filename, or Location. The default is Relevance Ranking.

Subscribing to e-notifications

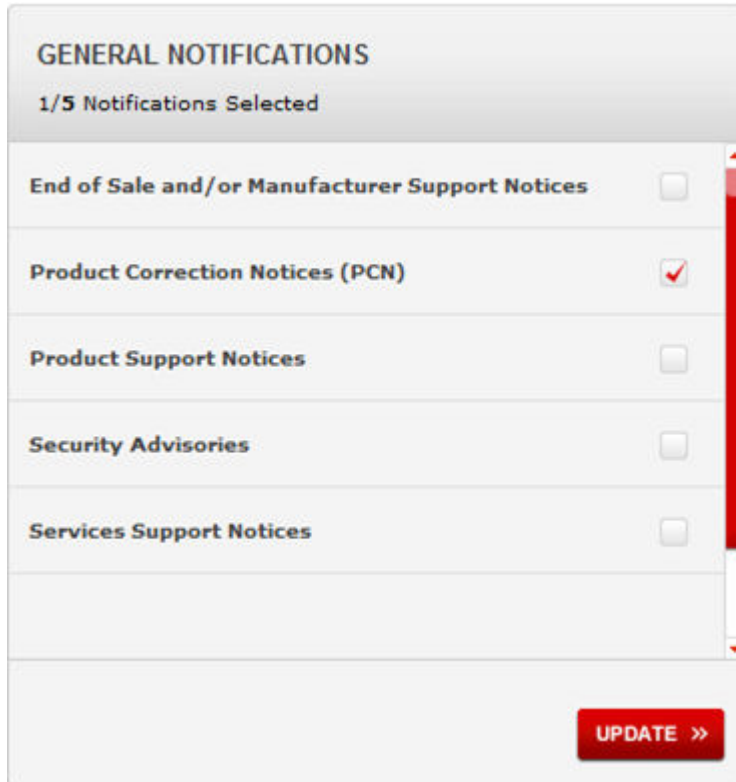
Subscribe to e-notifications to receive an email notification when documents are added to or changed on the Avaya Support website.

About this task

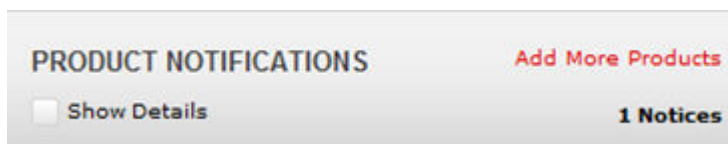
You can subscribe to different types of general notifications, for example, Product Correction Notices (PCN), which apply to any product or a specific product. You can also subscribe to specific types of documentation for a specific product, for example, Application & Technical Notes for Ethernet Routing Switch 8800.

Procedure

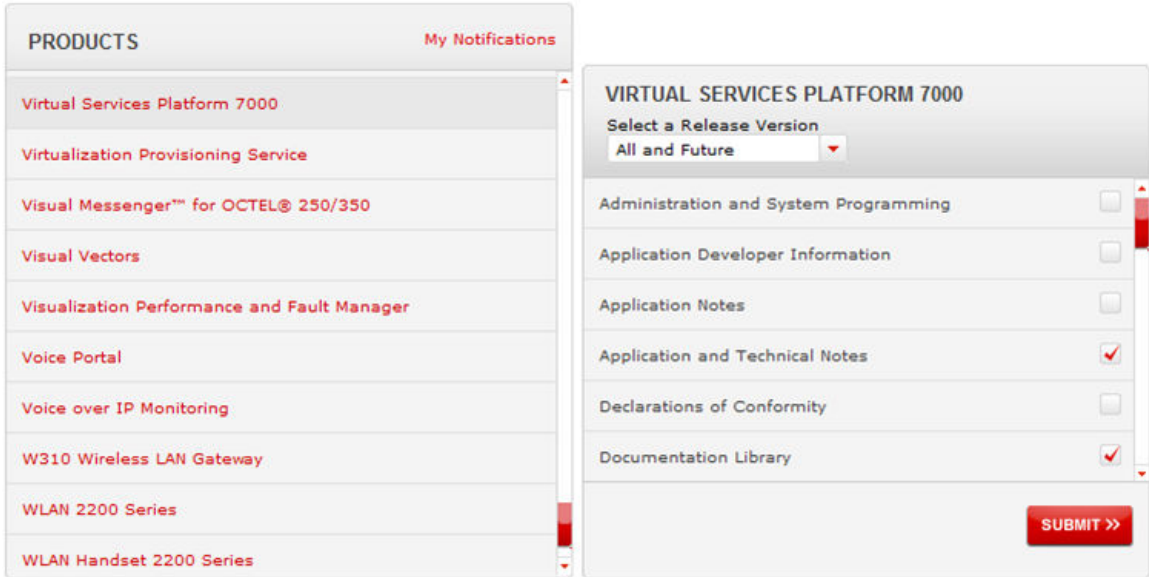
1. In an Internet browser, go to <https://support.avaya.com>.
2. Type your username and password, and then click **Login**.
3. Under **My Information**, select **SSO login Profile**.
4. Click **E-NOTIFICATIONS**.
5. In the GENERAL NOTIFICATIONS area, select the required documentation types, and then click **UPDATE**.



6. Click **OK**.
7. In the PRODUCT NOTIFICATIONS area, click **Add More Products**.



8. Scroll through the list, and then select the product name.
9. Select a release version.
10. Select the check box next to the required documentation types.



11. Click **Submit**.

Support

Go to the Avaya Support website at <http://support.avaya.com> for the most up-to-date documentation, product notices, and knowledge articles. You can also search for release notes, downloads, and resolutions to issues. Use the online service request system to create a service request. Chat with live agents to get answers to questions, or request an agent to connect you to a support team if an issue requires additional expertise.

Chapter 2: New in this release

The following sections detail what's new in *Installing Transceivers and Optical Components on Avaya Ethernet Routing Switch 3500 Series, NN47203-302*, for Release 5.3:

Features

See the following sections for information about feature-related changes:

EOL SFPs

The following transceivers have reached End-of-Life (EOL). After the inventory depletes, you can no longer purchase these transceivers.

Product number	SFP model
AA1419013-E5	1000BASE-SX
AA1419014-E5	1000BASE-SX
AA1419015-E5	1000BASE-LX

* Note:

Avaya strongly recommends using the newer DDI versions of these SFP transceivers. For more information, see [Job aid for selecting an SFP](#) on page 18.

Other changes

See the following sections for information about changes that are not feature-related.

Document title change

In Release 5.3, the title of this document is changed from *Installing the SFP, SFP+, and XFP transceivers on Avaya Ethernet Routing Switch 3500 Series, NN47203-302* to *Installing Transceivers and Optical Components on Avaya Ethernet Routing Switch 3500 Series, NN47203-302*.

SFP+

A new chapter is added for installation procedures and specifications of small form factor pluggable plus (SFP+) transceivers. For more information, see [SFP+](#) on page 36.

Chapter 3: Safety and equipment care information

This chapter contains important safety and regulatory information.

Read this section before you install Small Form Factor Pluggable (SFP) and Small Form Factor Pluggable Plus (SFP+).

Fiber optic equipment care

Use the information in this section to properly maintain and care for fiber optic equipment.

Transceivers are static sensitive.

Dust contamination can reduce the performance of optical parts in transceivers. When you store a transceiver, or after you disconnect it from a fiber optic cable, always keep a dust cover over the optical bore.

Dispose of this product according to all national laws and regulations.

To prevent equipment damage, observe the following electrostatic discharge (ESD) precautions when you handle or install the components:

- Ground yourself and the equipment to an earth or building ground. Use a grounded workbench mat (or foam that dissipates static charge) and a grounding wrist strap. The wrist strap must touch the skin and you must ground it through a one megaohm resistor.
- Do not touch anyone who is not grounded
- Leave all components in their ESD-safe packaging until installation, and use only a static-shielding bag for all storage, transport, and handling.

Clear the area of synthetic materials such as polyester, plastic, vinyl, or styrofoam because these materials carry static electricity that damages the equipment.

Fiber optic cable care

Although reinforcing material and plastic insulation protects the glass fiber in fiber optic cable, it is subject to damage.

Use the following precautions to avoid damaging the glass fiber:

- Do not kink, knot, or vigorously flex the cable.
- Do not bend the cable to less than a 40 mm radius.
- Do not stand on fiber optic cable; keep the cable off the floor.
- Do not pull fiber optic cable harder than you do a cable containing copper wire of comparable size.
- Do not allow a static load of more than a few pounds on a section of the cable.
- Place protective caps on fiber optic connectors that are not in use.
- Store unused fiber optic patch cables in a cabinet, on a cable rack, or flat on a shelf.

Frequent overstressing of fiber optic cable causes progressive degeneration that leads to failure.

If you suspect damage to a fiber optic cable, either due to mishandling or an abnormally high error rate observed in one direction, reverse the cable pairs. If the high error rate appears in the other direction, replace the cable.

 **Warning:**

Risk of equipment damage

Do not crush fiber optic cable. If fiber optic cable is in the same tray or duct with large, heavy electrical cables, the weight of the electrical cable can damage the fiber optic cable.

Fiber optic connector care

Before you connect fiber optic connectors to transmission equipment, test equipment, patch panels, or other connectors, ensure fiber optic connectors are clean. The performance of an optical fiber connector depends on how clean the connector and coupling are at the time of connection.

A damaged or dirty connector can damage a connector with which it pairs. A connector must be clean before you insert it into a transmitter or receiver.

Never clean an optical connector while it carries light. Optical power can cause ignition of the cleaning material when it contacts the end of the optical connector and can destroy the connector. Typical cleaning materials, for example, tissues saturated with alcohol, combust almost instantaneously after you expose them to optical power levels of +15 dBm or higher.

Visually inspect the connector to determine cleanliness and to determine if it needs replacing. You must replace a connector that has a scratch across the core, or a scratch that appears to end in the core.

The proper connector cleaning method depends on the connector contaminants:

- Judge cleanliness by visual inspection with a fiber microscope. First inspect the connector, and then clean as required.

 **Danger:**

Risk of eye injury

When you inspect a connector, ensure that light sources are off. The light source in fiber optic cables can damage your eyes.

- If you suspect only the possibility of dust particles, for example, if you leave a connector uncapped in a clean environment, use high-quality canned air or a reel cleaner, for example, a Cletop, to clean the connector. A reel cleaner is a good choice to ensure that no dust contaminates the connector.
- If the connector is visibly dirty or you suspect contamination by chemicals (for example, matching gel), use high-quality alcohol and canned air to clean the connector. This method is the most thorough cleaning method. In some cases, a reel cleaner can suffice.

The more surface manipulation you apply to the connector, the more likely you are to damage the connector.

When you insert a connector ferrule into a connector or adapter, ensure that the ferrule tip does not touch the outside of the mating connector or adapter. This action can produce scratches and dirt deposits on the connector.

To help prevent connectors from collecting dust, cover them when not in use. To avoid the transfer of oil or other contaminants from your fingers to the end face of the ferrule, handle connectors with care. Do not touch the connector end face.

Cleaning single connectors

Clean connectors so that the optical signal is minimally attenuated by the connector.

Perform this procedure if you suspect more than dust contamination.

Before you begin

- You need a lens-grade, lint-free tissue, for example, Kimwipes.
- You need an optical-grade isopropyl alcohol (IPA) (98% or more pure).
- You need a high-quality canned compressed air with extension tube.

Compressed air must be free of dust, water, and oil, or filmy deposits or scratches on the surface of the connector can result.

- You need a fiber optic microscope to inspect connectors.

 **Danger:**

Risk of eye injury

When you inspect a connector, ensure that light sources are off. The light source used in fiber optic cables can damage your eyes.

To avoid getting debris in your eyes, wear safety glasses when you work with the canned air duster.

To avoid eye irritation on contact, wear safety glasses when you work with isopropyl alcohol.

Procedure

1. Remove dust or debris by applying canned air to the cylindrical and end-face surfaces of the connector.
2. Gently wipe the cylindrical and end-face surfaces with a tissue dampened with optical-grade isopropyl alcohol.
3. Gently wipe the cylindrical and end-face surfaces with a dry tissue.

Important:

Do not let the IPA evaporate; wipe it dry immediately. Alcohols can leave a residue that is difficult to remove.

4. Dry the connector surfaces by applying canned air.
5. Inspect the connector to ensure it is clean and undamaged.

To prevent contamination, do not touch the connector surfaces after cleaning; and cover connectors with dust caps if they are not in use.

Cleaning duplex connectors

Clean connectors so that the optical signal is minimally attenuated by the connector.

Perform this procedure when you suspect more than dust contamination.

Before you begin

- You need a lens-grade, lint-free tissue, for example, Kimwipes.
- You need an optical-grade isopropyl alcohol (IPA) (98% or more pure).
- You need a high-quality canned compressed air with extension tube.

Compressed air must be free of dust, water, and oil, or filmy deposits or scratches on the surface of the connector can result.

- You need a fiber optic microscope to inspect connectors.

About this task

Danger:

Risk of eye injury

When you inspect a connector, ensure that light sources are off. The light source in fiber optic cables can damage your eyes.

To avoid getting debris in your eyes, wear safety glasses when you work with the canned air duster.

To avoid eye irritation on contact, wear safety glasses when you work with isopropyl alcohol.

Procedure

1. Remove or retract the shroud.

On removable shroud connectors, hold the shroud on the top and bottom at the letter designation, apply medium pressure, and then pull it free from the connector body. Do not discard the shroud.

OR

On retractable shroud connectors, hold the shroud in the retracted position.

2. Remove dust or debris by applying canned air to the cylindrical and end-face surfaces of the connector.
3. Gently wipe the cylindrical and end-face surfaces of both ferrules using a tissue saturated with optical-grade isopropyl alcohol.
4. Gently wipe the cylindrical and end-face surfaces with a dry tissue.

Important:

Do not let the IPA evaporate; wipe it dry immediately. Alcohols can leave a residue that is difficult to remove.

5. Blow dry the connector surfaces with canned air.
6. Inspect the connector to ensure it is clean and undamaged.
7. Using care to not touch the clean ferrules, gently push the shroud back onto the connector until it seats and locks in place.

Cleaning receptacles

Clean connector receptacles or ports so that the optical signal is minimally attenuated by the connection.

Before you begin

- You need an optical-grade isopropyl alcohol (IPA) (98% or more pure).
- You need cleaning swabs (also called cleaning sticks or wands).
- You need a high-quality canned compressed air with extension tube.

Compressed air must be free of dust, water, and oil, or filmy deposits or scratches on the surface of the connector can result.

 **Warning:****Risk of equipment damage**

To avoid contamination, only clean optical ports if you see evidence of contamination or reduced performance exists, or during their initial installation.

To prevent oil contamination of connectors, use only high-quality canned compressed air.

Do not allow the air extension tube to touch the bottom of the optical port.

Procedure

1. Remove dust or debris by blowing canned air into the optical port of the device using the canned air extension tube.
2. Clean the optical port by inserting a wand moistened with alcohol into the receptacle and rotating it.
Use each cleaning wand to clean only one optical port.
3. Dry the optical port by inserting a dry wand into the receptacle and rotating it.

 **Important:**

Do not let the IPA evaporate; wipe it dry immediately. Alcohols can leave a residue that is difficult to remove.

4. Remove lint by blowing compressed air into the optical port.
5. Reconnect the optical connector and check for proper function.

If you do not reinstall the connector, use a protective cap.

If problems persist, ensure that the connector or receptacle is free from damage.

Chapter 4: SFP

This chapter provides installation procedures and specifications for small form factor pluggable (SFP) transceivers.

SFP transceivers

This section describes how to select and install small form factor pluggable (SFP) transceivers.

Selecting an SFP

Use an SFP transceiver to connect a device motherboard to a fiber optic or unshielded twisted pair network cable. Select the appropriate transceiver to provide the required reach.

Procedure

1. Determine the required reach.

Depending on the product, SFP transceivers are available for cable distances of up to 100 meters (m), 550 m, 10 kilometers (km), 40 km, 70 km, and 120 km.

2. Determine the required media and connector type.

You need fiber optic cable for a reach over 100 m.

Possible media include CAT5, single mode fiber, and multimode fiber. Possible connectors include LC, MT-RJ, and RJ-45.

3. If the media is optical fiber, determine wavelength restrictions or requirements.

To expand available bandwidth on a common optical fiber, use Coarse Wavelength Division Multiplexing (CWDM) SFP transceivers.

4. Determine if you need digital diagnostic monitoring (DDM). DDM is enabled by default.

Not all SFP transceivers or products support DDM.

Job aid

The following table describes the reach provided by various SFP transceivers. This table is informational only—not all Avaya products support all the SFPs listed here.

SFP model	Common application
1000BASE-T SFP	Lowest-cost gigabit Ethernet solution. Up to 100 m reach over Category 5 (CAT5) unshielded twisted pair (UTP).
1000BASE-SX SFP	Well-suited for campus local area networks (LAN) and intrabuilding links. Up to 275 or 550 m reach (fiber-dependent) over a fiber pair.
1000BASE-LX SFP	Up to 10 km reach over a single mode fiber (SMF) pair. Up to 550 m reach over a multimode fiber (MMF) pair.
1000BASE-XD DDI SFP 1000BASE-XD DDI CWDM 40 km SFP	Up to 40 km reach over a single mode fiber pair.
1000BASE-ZX DDI SFP 1000BASE-ZX CWDM SFP	Up to 70 km reach over a single mode fiber pair.
1000BASE-BX10 DDI SFP 1000BASE-BX40 DDI SFP	Up to 10 km reach over single mode fiber.
1000BASE-EX DDI SFP	Up to 120 km reach over a single mode fiber pair.
100BASE-FX SFP	Up to 2 km reach over multimode fiber pair.

SFP transceivers are hot-swappable input and output enhancement components that permit Gigabit Ethernet ports to link with other Gigabit Ethernet ports over various media types.

The system also supports Coarse Wavelength Division Multiplexer (CWDM) SFPs. CWDM technology consolidates multiple optical channels on a common optical fiber. CWDM uses multiple wavelengths to expand available bandwidth.

CWDM SFPs support high speed data communications for Metropolitan Area Networks (MAN). The system uses a grid of eight CWDM optical wavelengths in both ring and point-to-point configurations. All components are color-coded by wavelength.

! Important:

The attainable cable length can vary depending on the quality of the fiber optic cable used.

Use Digital Diagnostic Monitoring (DDM) to monitor SFP laser operating characteristics. Support for Digital Diagnostic Interfaces (DDI—an interface that supports DDM) involves data collection and alarm and warning monitoring. Static data collection includes SFP vendor information, DDI support information, and DDI alarm and warning threshold values. Dynamic data collection includes temperature, supply voltage, laser bias current, transmit power, and receive power. DDM works during active laser operation without affecting data traffic.

The ERS 3500 Series only checks warning and alarm status bits during initialization and during requests for dynamic data. If the system asserts or clears an alarm or warning, the system logs a

message and generates a trap. The system maps DDM warning and alarm messages into Warning and Fatal message categories for system logging purposes. If you activate the `ddm-alarm-portdown` option, DDI shuts down the corresponding port if a high or low alarm occurs on the port.

The following table lists and describes the Avaya SFP models the ERS 3500 Series supports. The SFPs that support DDI are indicated by (DDI) after the ROHS Product Number.

Model	ROHS product number	Description
100BASE-FX SFP	AA1419074-E6	1310 nm, 100-Mbps Ethernet, multimode fiber, duplex LC connector
1000BASE-T SFP	AA1419043-E6	gigabit Ethernet, RJ-45 connector
1000BASE-SX DDI SFP	AA1419048-E6	850 nm, gigabit Ethernet, duplex LC connector
1000BASE-LX DDI SFP	AA1419049-E6	1310 nm, gigabit Ethernet, duplex LC connector
1000BASE-XD DDI SFP	AA1419050-E6*	1310 nm, gigabit Ethernet, duplex LC connector
	AA1419051-E6*	1550 nm, gigabit Ethernet, duplex LC connector
1000BASE-ZX DDI SFP	AA1419052-E6*	1550 nm, gigabit Ethernet, duplex LC connector
1000BASE-BX10 DDI SFP	AA1419069-E6 (10 km at 1310 nm) and mating pair AA1419070-E6 (10 km at 1490 nm)	1310 nm (tx) and 1490 nm (rx) gigabit Ethernet, single-fiber LC connector
1000BASE-BX40 DDI SFP	AA1419076-E6 (40 km at 1310 nm) and mating pair AA1419077-E6 (40 km at 1490 nm)	1490 nm (tx) 1310 nm (rx) gigabit Ethernet, single-fiber LC connector
1000BASE-EX DDI SFP	AA1419071-E6*	1550 nm, gigabit Ethernet, duplex LC connector
1000BASE-XD DDI CWDM 40 km SFP	AA1419053-E6 to AA1419060-E6*	gigabit Ethernet, duplex LC connector
1000BASE-ZX DDI CWDM 70 km SFP	AA1419061-E6 to AA1419068-E6*	gigabit Ethernet, duplex LC connector
1000BASE-XD CWDM SFP	AA1419025-E5 to AA1419032- E5	From 1470 nm to 1610 nm LC connector, up to 40 km
1000BASE-ZX CWDM SFP	AA1419033-E5 to AA1419040- E5	From 1470 nm to 1610 nm LC connector, up to 70 km

Installing an SFP

Install an SFP to provide an interface between the device and the network cable.

Before you begin

- Verify that the SFP is the correct model for your network configuration.
- Before you install the optical connector, ensure it is clean.

Danger:

Risk of eye injury by laser

Fiber optic equipment can emit laser or infrared light that can injure your eyes. Never look into an optical fiber or connector port. Always assume that fiber optic cables connect to a light source.

Electrostatic alert:

ESD can damage electronic circuits. Do not touch electronic hardware unless you wear a grounding wrist strap or other static-dissipating device.

Warning:

Risk of equipment damage

Only trained personnel can install this product.

About this task

Installing an SFP takes approximately 3 minutes.

Procedure

1. Remove the SFP from its protective packaging.
2. Grasp the SFP transceiver between your thumb and forefinger.
3. Insert the device into the port on the module.

Depending on the module type, you must insert some SFP transceivers into the port with the bail facing up and some SFP transceivers with the bail facing down.

Warning:

Risk of equipment damage

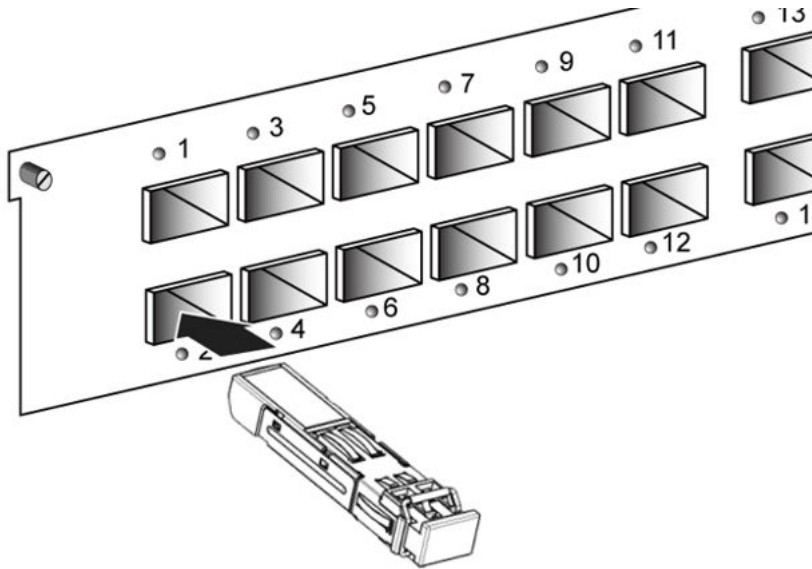
SFP transceivers are keyed to prevent incorrect insertion. If the SFP transceiver resists pressure, do not force it; turn it over, and reinsert it.

Apply a light pressure to the device until it clicks and locks into position.

4. Remove the dust cover from the optical bore, and insert the fiber optic connector.

Example

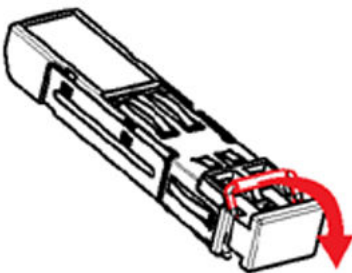
The following figure shows an example installation of a bore plug transceiver with the bail latch facing up. The figure does not represent a specific product.



Job aid

Depending on the transceiver manufacturer, the SFP transceiver can use different types of locking and extractor mechanisms.

The following figure shows the typical mechanism used on SFP transceivers; other locking mechanisms exist although they are not shown here. In the following figure, the SFP transceiver uses the bore plug. Pull the bail to release the device.



Removing an SFP

Remove an SFP to replace it or to commission it elsewhere.

Before you begin

- Wear an antistatic wrist strap.

⚠ Danger:

Risk of eye injury by laser

Fiber optic equipment can emit laser or infrared light that can injure your eyes. Never look into an optical fiber or connector port. Always assume that fiber optic cables connect to a light source.

 **Electrostatic alert:**

ESD can damage electronic circuits. Do not touch electronic hardware unless you wear a grounding wrist strap or other static-dissipating device.

Procedure

1. Disconnect the network fiber optic cable from the SFP connector.
2. Depending on your SFP model, there are different locking mechanisms to release the SFP transceiver. The following describes the typical mechanism used on SFP transceivers; other locking and extractor mechanisms exist, although they are not described here.
 - Bail latch: Pull the swing-down latch handle to the fully lowered position and hold the handle to extract the module.
3. Slide the SFP out of the module SFP slot.

If the SFP does not slide easily from the module slot, use a gentle side-to-side rocking motion while firmly pulling the SFP from the slot.

4. Affix dust covers over the fiber optic bore and connector.
5. Store the SFP in a safe place until needed.

 **Important:**

If you discard the SFP transceiver, dispose of it according to all national laws and regulations.

SFP specifications

This section provides technical specifications for the supported small form factor pluggable (SFP) models. Use this information to aid in proper network design.

The specifications in this section meet or exceed those specified in the applicable IEEE standards, where they exist.

In these specifications, unless otherwise noted, receiver sensitivity is the minimum average input optical power for which the receiver is guaranteed to meet the bit error rate (BER) of 10⁻¹².

SFP labels

The Avaya label on a typical SFP transceiver contains an Avaya serial number, a bar code, a manufacturer code, an interface type, and a part number.

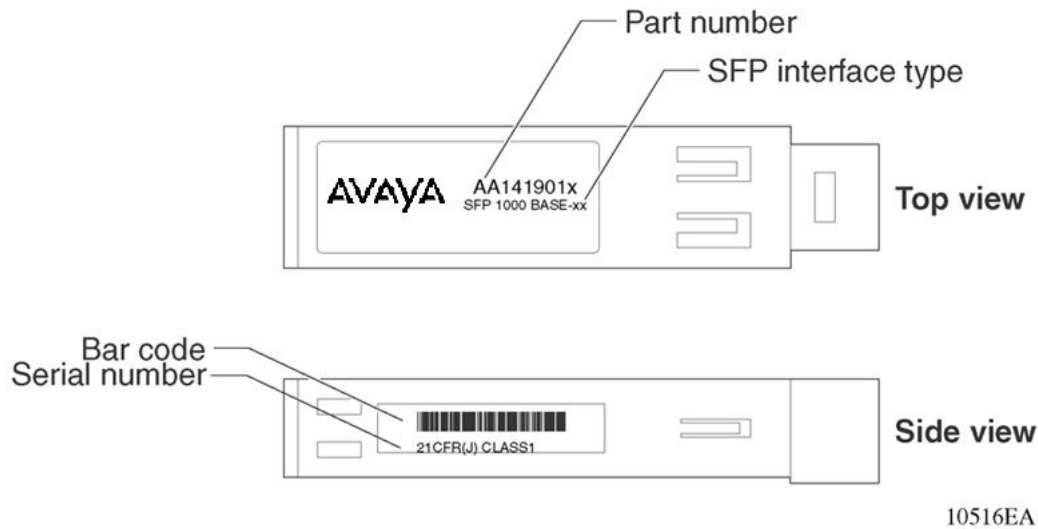


Figure 1: SFP label

General SFP specifications

The following table describes general SFP specifications.

Table 1: General SFP specifications

Parameter	Description
Dimensions (H x W x D)	8.5 x 13.4 x 56.4 millimeters (0.33 x 0.53 x 2.22 inches), unless otherwise stated.
Operating temperature	-5 to 85 °C for RoHS -E6 models
Storage temperature	-40 to 85 °C
Maximum supply current	300 mA, unless otherwise stated
Maximum power consumption	1.0 W, unless otherwise stated

Supported SFP transceivers

The following section provides specifications for the supported SFP transceivers.

1000BASE-T SFP specifications

The 1000BASE-T SFP provides gigabit Ethernet connectivity using a single eight-pin RJ-45 connector.

The 1000BASE-T SFP only operates at 1 gigabits per second (Gbps). ERS 3500 does not support 100 Mb or 10 Mb speeds.

The part number for this model is AA1419043-E6.

The maximum current requirement of the SFP is 375 milliamperes (mA) at 5 volts (V).

The following table describes the 1000BASE-T SFP specifications.

Table 2: IEEE 802.3z 1000BASE-T SFP specifications

Parameter	Specifications
Standards	IEEE 802.3z, IEEE 802.3ab
Connectors	RJ-45
Cabling	CAT5E or better UTP
Distance	Up to 100 m

100BASE-FX SFP specifications

The 100BASE-FX SFP provides 100 Mbps Ethernet Carrier Sense Multiple Access with Collision Detection (CSMA-CD) connectivity using multimode optical fiber. The part number for this model is AA1419074-E6.

The following table describes the 100BASE-FX SFP specifications.

Table 3: 100BASE-FX SFP specifications

Parameter	Specifications
Maximum electrical power consumption	1.5 W
Connectors	Duplex LC
Cabling	<ul style="list-style-type: none"> • 62.5 μm MMF optic cable • 50 μm MMF optic cable
Distance	• Up to 2 km using 500 MHz-km MMF optic cable
Wavelength	1310 nm
Link optical power budget	10 dB
Transmitter characteristics	
Maximum launch power	-14 dBm
Minimum launch power	-23.5 to -20 dBm
Receiver characteristics	
Receiver sensitivity	-33.5 dBm
Maximum input power	—

1000BASE-SX (LC) SFP specifications

The 1000BASE-SX SFP transceiver provides 1000BASE-SX gigabit Ethernet connectivity at 850 nm using multimode optical fiber. This SFP supports only full-duplex operation. The part number is AA1419013-E5*.

* This transceiver has reached end-of-life (EOL). After the inventory depletes, you can no longer purchase this transceiver. Avaya recommends AA1419048–E6 as a replacement.

The following table describes standards, connectors, cabling, and distance for the 1000BASE-SX SFP transceivers.

Table 4: IEEE 802.3z 1000BASE-SX (LC) SFP specifications

Parameter	Specifications
Connectors	Duplex LC
Cabling	<ul style="list-style-type: none"> • 62.5 μm MMF optic cable • 50 μm MMF optic cable
Distance	<ul style="list-style-type: none"> • up to 275 m using 62.5 μm MMF optic cable • up to 550 m using 50 μm MMF optic cable
Wavelength	850 nanometers (nm)
Link optical power budget	7.0 decibels (dB)
Transmitter characteristics	
Launch power	–10 to –4.0 dBm
Receiver characteristics	
Receiver sensitivity	–17 dBm
Maximum input power	0 dBm

1000BASE-SX (MT-RJ) SFP specifications

The 1000BASE-SX (MT-RJ) type SFP provides gigabit Ethernet connectivity using MT-RJ multimode fiber connectors. The part number is AA1419014-E5*.

* This transceiver has reached end-of-life (EOL). After the inventory depletes, you can no longer purchase this transceiver. Avaya recommends AA1419048–E6 as a replacement. You must use a jumper cable to adapt the LC connector to the MT–RJ connector.

The following table describes standards, connectors, cabling, and distance for the 1000BASE-SX (MT-RJ) type SFP transceiver.

Table 5: IEEE 802.3z 1000BASE-SX (MT-RJ) SFP specifications

Parameter	Specifications
Connectors	Duplex MT-RJ
Cabling	<ul style="list-style-type: none"> • 62.5 μm MMF optic cable • 50 μm MMF optic cable
Distance	<ul style="list-style-type: none"> • up to 275 m using 62.5 μm MMF optic cable • up to 550 m using 50 μm MMF optic cable
Wavelength	850 nm

Table continues...

Parameter	Specifications
Link optical power budget	7.0 dB
Transmitter characteristics	
Launch power	−10 to −4.0 dBm
Receiver characteristics	
Receiver sensitivity	−17 dBm
Maximum input power	0 dBm

1000BASE-SX DDI SFP specifications

The 1000BASE-SX DDI SFP transceiver has a reach of up to 550 m using 50 μ m MMF, and of 275 m using 62.5 μ m MMF. This SFP transceiver operates at 850 nm. The part number is AA1419048-E6.

The following table describes standards, connectors, cabling, and distance for the 1000BASE-SX DDI SFP transceivers.

Table 6: 1000BASE-SX SFP DDI (550 m) specifications

Parameter	Specifications
Maximum electrical power consumption	1 watt (W)
Connector	Duplex LC
Cabling	MMF
Data rate	1.0 Gbps
Line rate (8B/10B code)	1.25 Gbps
Link optical power budget	7.5 dB
Transmitter characteristics	
Launch power	−9.5 to −4.0 dBm
Receiver characteristics	
Receiver sensitivity	−17 dBm
Maximum receiver power	0 dBm

1000BASE-LX DDI SFP specifications

This SFP transceiver provides 1000BASE-LX gigabit Ethernet connectivity at 1310 nanometers (nm) using single mode or multimode optical fiber. The part number is AA1419049-E6.

Table 7: 1000BASE-LX DDI SFP specifications

Parameter	Specifications
Maximum electrical power consumption	1.0 watt (W)
Connectors	Duplex LC

Table continues...

Parameter	Specifications
Cabling	<ul style="list-style-type: none"> • 50 micrometer (μm) multimode fiber (MMF) • 62.5 μm multimode fiber • 9 μm single mode fiber (SMF)
Distance	<ul style="list-style-type: none"> • Up to 550 meters (m) using MMF • Up to 10 kilometers (km) using SMF
Data rate	1.0 Gbps
Line rate (8B/10B code)	1.25 Gbps
Link optical power budget	9.5 dB
Transmitter characteristics	
Launch power	-9.5 to -3.0 dBm
Receiver characteristics	
Receiver sensitivity	-19.0 dBm
Maximum receiver power	-3.0 dBm

1000BASE-XD DDI CWDM (40 km) SFP specifications

The following table describes specifications for 1000BASE-XD DDI CWDM SFP transceivers numbered AA1419053-E6 to AA1419060-E6.

Warning:

Risk of equipment damage

To prevent damage to the optical receiver, ensure that at least 4 dB of attenuation exists between the transmit and receive ports.

Table 8: 1000BASE-XD CWDM SFP DDI (40 km) specifications

Parameter	Specifications
Maximum electrical power consumption	1.0 W
Connectors	Duplex LC
Cabling	SMF, 9 μm
Data rate	1 Gbps
Line rate (8B/10B code)	1.25 Gbps
Link optical power budget	17 dB
Maximum dispersion power penalty	1 dB at 40 km
Transmitter characteristics	
Launch power	-4.0 to 1.0 dBm
Receiver characteristics	
Receiver sensitivity	-21 dBm
Maximum receiver power	-3.0 dBm

1000BASE-XD DDI 1310 nm SFP specifications

The following table describes the 1000BASE-XD DDI SFP. This SFP operates at 1310 nm and has a reach of up to 40 km. The part number is AA1419050-E6.

Table 9: 1000BASE-XD DDI 1310 nm SFP specifications

Parameter	Specifications
Maximum electrical power consumption	1.0 W
Connectors	Duplex LC
Cabling	SMF, 9 μ m
Data rate	1.0 Gbps
Line rate (8B/10B) code	1.25 Gbps
Link optical power budget	18 dB
Transmitter characteristics	
Launch power	-4.5 to 0 dBm
Receiver characteristics	
Receiver sensitivity	-22.5 dBm
Maximum receiver power	0 dBm

1000BASE-XD DDI 1550 nm SFP specifications

The following table describes the 1000BASE-XD DDI SFP transceiver. This SFP transceiver operates at 1550 nm and has a reach of up to 40 km. The part number is AA1419051-E6.

This transceiver has been discontinued and is no longer available for purchase. Avaya recommends AA1419057-E6 as a replacement.

Warning:

Risk of equipment damage

To prevent damage to the optical receiver, ensure that at least 3 dB of attenuation exists between the transmit and receive ports.

Table 10: 1000BASE-XD DDI 1550 nm SFP transceiver specifications

Parameter	Specification
Maximum electrical power consumption	1.0 W
Connectors	Duplex LC
Cabling	SMF, 9 μ m
Data rate	1.0 Gbps
Line rate (8B/10B code)	1.25 Gbps
Link optical power budget	22 dB

Table continues...

Parameter	Specification
Maximum dispersion power penalty	2 dB at 40 km
Minimum attenuation between transmit and receive ports	3 dB
Transmitter characteristics	
Launch power	-2.0 to 3.0 dBm
Receiver characteristics	
Receiver sensitivity	-24 dBm
Maximum receiver power	0 dBm

1000BASE-ZX CWDM (LC) SFP specifications

The 1000BASE-ZX SFP transceiver provides CWDM gigabit Ethernet connectivity using single mode fiber. This SFP supports only full-duplex operation. The part numbers of the 70 km models range from AA1419033-E5 to AA1419040-E5.

Important:

For the 70 km CWDM SFP transceivers, a minimum attenuation of 10 dB must be present between the transmitter and receiver.

Table 11: 1000BASE-ZX CWDM (70 km) SFP specifications

Parameter	Specifications
Connectors	Duplex LC
Cabling	SMF, 9 μ m
Data rate	1.0 Gbps
Line rate (8B/10B code)	1.25 Gbps
Operating temperature range	0 to 60°C
Link optical power budget	20 dB
Transmitter characteristics	
Launch power	-3.0 to 2.0 dBm
Receiver characteristics	
Receiver sensitivity	-23 dBm
Maximum input power	-3.0 dBm

1000BASE-ZX DDI 1550 nm SFP specifications

The following table describes the 1000BASE-ZX CWDM SFP transceiver. This SFP transceiver operates at 1550 nm and has a reach of up to 70 km. The part number is AA1419052-E6.

This transceiver has been discontinued and is no longer available for purchase. Avaya recommends AA1419065-E6 as a replacement.

⚠ Warning:**Risk of equipment damage**

To prevent damage to the optical receiver, ensure that at least 5 dB of attenuation exists between the transmit and receive ports.

Table 12: 1000BASE-ZX DDI 1550 nm SFP transceiver specifications

Parameter	Specification
Maximum electrical power consumption	1.0 W
Connectors	Duplex LC
Cabling	SMF, 9 μm
Data rate	1.0 Gbps
Line rate (8B/10B code)	1.25 Gbps
Link optical power budget	24 dB
Maximum dispersion power penalty	2 dB at 70 km
Minimum attenuation between transmit and receive ports	5 dB
Transmitter characteristics	
Launch power	0 to 5 dBm
Receiver characteristics	
Receiver sensitivity	-24 dBm
Maximum receiver power	-0 dBm

1000BASE-BX bidirectional SFP transceivers

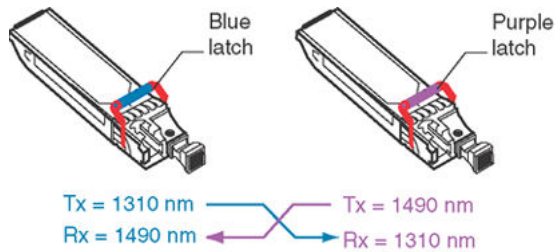
The 1000BASE-BX bidirectional DDI SFP transceivers provides gigabit Ethernet connectivity over a single fiber.

⚠ Warning:**Risk of equipment damage**

For the 40 km transceivers only. Connect the 1000BASE-BX SFP transceiver using a single mode fiber with at least 6 dB of attenuation. Damage can result if insufficient attenuation is provided or if the same 1000BASE-BX SFP transceivers are connected.

In the following figure, the transmit (Tx) and receive (Rx) paths share the same fiber by using two different wavelengths. One model transmits at 1310 nm and receives at 1490 nm, while the mating model transmits at 1490 nm and receives at 1310 nm. You can only connect a mating pair.

SFP



The long wavelength optical transceivers used in these models provide variable distance ranges using single mode fiber optic cabling.

You can use 1000BASE-BX SFP transceivers to double the number of your fiber links. For example, if you install 20 fiber pairs with 20 conventional ports connected, you can use 1000BASE-BX SFP transceivers to expand to 40 ports, using the same fiber.

The following table provides the reach and part numbers for each of the mating pairs.

Table 13: 1000BASE-BX SFP transceivers

Reach	1310 nm	1490 nm
10 km	AA1419069-E6	AA1419070-E6
40 km	AA1419076-E6	AA1419077-E6

1000BASE-BX10 bidirectional DDI SFP specifications

The 1000BASE-BX10 SFP transceivers (part numbers AA1419069-E6 and AA1419070-E6) can attain a reach of up to 10 km.

The following table describes standards, connectors, cabling, and distances for the 1000BASE-BX10 SFP transceiver.

Table 14: IEEE 802.3ah 1000BASE-BX10 bidirectional SFP specifications

Parameter	Specification
Connectors	Single-fiber LC
Data rate	1.0 Gbps
Line rate (8B/10B code)	1.25 Gbps
Distance	Up to 10 km
Wavelength	1310 nm and 1490 nm
Link optical power budget	11.0 dB
Maximum transmitter and dispersion power penalty	3.3 dB
Transmitter characteristics	
Maximum launch power	-3.0 dBm
Minimum launch power	-9.0 dBm

Table continues...

Parameter	Specification
Receiver characteristics	
Maximum receiver sensitivity	-19.5 dBm
Maximum input power (maximum average receive power)	-3.0 dBm

1000BASE-BX40 bidirectional SFP specifications

The 1000BASE-BX40 SFP transceivers (part numbers AA1419076-E6 and AA1419077-E6) can attain a reach of up to 40 km. The minimum IL is 6 dB.

The following table describes standards, connectors, cabling, and distances for the 1000BASE-BX40 SFP transceiver.

Table 15: 1000BASE-BX40 bidirectional SFP specifications

Parameter	Specifications
Connectors	Single-fiber LC
Data rate	1.0 Gbps
Line rate (8B/10B code)	1.25 Gbps
Distance	Up to 40 km with SMF
Wavelength	1310 nm and 1490 nm
Link optical power budget	20.0 dB
Maximum transmitter and dispersion power penalty	3.3 dB
Transmitter characteristics	
Maximum launch power	3.0 dBm
Minimum launch power	-3.0 dBm
Receiver characteristics	
Maximum receiver sensitivity	-23 dBm
Maximum input power (maximum average receive power)	-3.0 dBm

1000BASE-EX DDI SFP specifications

The following table describes the 1000BASE-EX DDI SFP transceiver. This SFP transceiver operates at 1550 nm and has a reach of up to 120 km. The part number is AA1419071-E6.

Warning:

Risk of equipment damage

To prevent damage to the optical receiver, ensure that at least 14 dB of attenuation exists between the transmit and receive ports.

To attain the BER of 10^{-12} , the minimum attenuation between the transmit and receive ports is 15 dB.

Table 16: 1000BASE-EX DDI SFP transceiver specifications

Parameter	Specification
Maximum electrical power consumption	1.2 W
Connectors	Duplex LC
Cabling	SMF, 9 μ m
Data rate	1.0 Gbps
Line rate (8B/10B code)	1.25 Gbps
Link optical power budget	30 dB
Maximum dispersion power penalty	2.0 dB at 120 km
Minimum attenuation between transmit and receive ports	14 dB
Transmitter characteristics	
Launch power	0 to 5.0 dBm
Receiver characteristics	
Receiver sensitivity	-30 dBm
Maximum receiver power	-9.0 dBm

1000BASE DDI CWDM 70 km SFP specifications

The 1000BASE SFP transceiver provides CWDM gigabit Ethernet connectivity using single mode fiber. This SFP transceiver supports only full-duplex operation.

Important:

For the 70 km CWDM SFP transceiver, a minimum attenuation of 10 dB must exist between the transmitter and receiver.

The following table describes specifications for CWDM SFP transceivers numbered AA1419061-E6 to AA1419068-E6.

Warning:

Risk of equipment damage

To prevent damage to the optical receiver, ensure that at least 8 dB of attenuation exists between the transmit and receive ports.

Table 17: 1000BASE-ZX CWDM SFP DDI (70 km) specifications

Parameter	Specifications
Maximum electrical power consumption	1.0 W
Connectors	Duplex LC
Cabling	SMF, 9 μ m
Data rate	1.0 Gbps

Table continues...

Parameter	Specifications
Line rate (8B/10B code)	1.25 Gbps
Link optical power budget	24 dB
Maximum dispersion power penalty	2 dB at 70 km
Minimum attenuation between transmit and receive ports	8 dB
Transmitter characteristics	
Launch power	0 to 5.0 dBm
Receiver characteristics	
Receiver sensitivity	-24 dBm
Maximum receiver power	-3.0 dBm

Chapter 5: SFP+

This chapter provides installation procedures and specifications for small form factor pluggable plus (SFP+) transceivers.

SFP+ transceivers

This section describes how to select and install small form factor pluggable plus (SFP+) transceivers.

Use an SFP+ transceiver to connect a device motherboard to fiber optic or direct attached cables, up to 15 meters in length. SFP+ transceivers are similar to SFP transceivers in physical appearance but SFP+ transceivers support 10-gigabit per second (Gbps) connections. SFP+ modules do not interoperate with SFP modules.

Important:

Avaya recommends that you only use Avaya qualified transceivers. If you use other vendor transceivers, Avaya does not support them.

Selecting an SFP+

Use an SFP+ transceiver to interface a port to a fiber optic cable.

About this task

Select the appropriate transceiver to provide the required reach. Depending on the product, you can obtain SFP+ transceivers for cable distances of up to 15 meters (m), 400 m, 10 kilometers (km), 40 km, and 70 km. Alternatively, you can use a direct attach cable (10GBASE-CX) to connect ports for cable distances of up to 15 meters.

Procedure

1. Determine the required reach.
2. Determine wavelength restrictions or requirements.
3. Use the following job aid to determine the appropriate SFP+ transceiver or cable for your application.

Job aid

SFP+ transceivers are hot-swappable input and output enhancement components that allow 10-gigabit connections.

All Avaya SFP+ transceivers use LC connectors to provide precision keying and low interface losses.

The following table lists and describes the Avaya SFP+ models.

Model	ROHS product number	Description
10GBASE-SR/SW SFP+	AA1403015-E6	400 m, 850 nm MMF
10GBASE-LRM SFP+	AA1403017-E6	220 m, 1260 to 1355 nm; 1310 nm nominal MMF
10GBASE-LR/LW SFP+	AA1403011-E6	10 km, 1310 nm SMF
10GBASE-ER/EW SFP+	AA1403013-E6	40 km, 1550 nm SMF
10GBASE-CX SFP+ 2-pair twinaxial copper cable that plugs into the SFP+ socket and connects two 10-gigabit ports	AA1403018-E6	10 meter
	AA1403019-E6	3 meter
	AA1403020-E6	5 meter
10GBASE-ZR/ZW SFP+	AA1403016-E6	70 km, 1550 nm SMF
10GBASE-ER CWDM DDI SFP+	AA1403153-E6 to AA1403160-E6	40 km, 1471 to 1611 nm
10GBASE-ZR CWDM DDI SFP+	AA1403161-E6 to AA1403168-E6	70 km, 1471 to 1611 nm

Installing an SFP+

Install an SFP+ transceiver to provide a 10-gigabit Ethernet interface between the device and other network devices.

Before you begin

Important:

Do not install an SFP+ transceiver in an SFP slot. The two transceivers look the same but function differently. Ensure the slot is an SFP+ slot.

- Verify that the SFP+ transceiver is the correct model for your network configuration.
- Before you install the optical connector, ensure it is clean.

Danger:

Risk of eye injury by laser

Fiber optic equipment can emit laser or infrared light that can injure your eyes. Never look into an optical fiber or connector port. Always assume that fiber optic cables connect to a light source.

 **Electrostatic alert:**

ESD can damage electronic circuits. Do not touch electronic hardware unless you wear a grounding wrist strap or other static-dissipating device.

 **Warning:**

Risk of equipment damage

Only trained personnel can install this product.

About this task

Installing an SFP+ transceiver takes approximately 3 minutes.

Procedure

1. Remove the SFP+ transceiver from its protective packaging.
2. Grasp the SFP+ transceiver between your thumb and forefinger.
3. Insert the device into the port on the module.

Depending on the module type, you must insert some SFP+ transceivers into the port with the bail facing up and some SFP+ transceivers with the bail facing down.

 **Warning:**

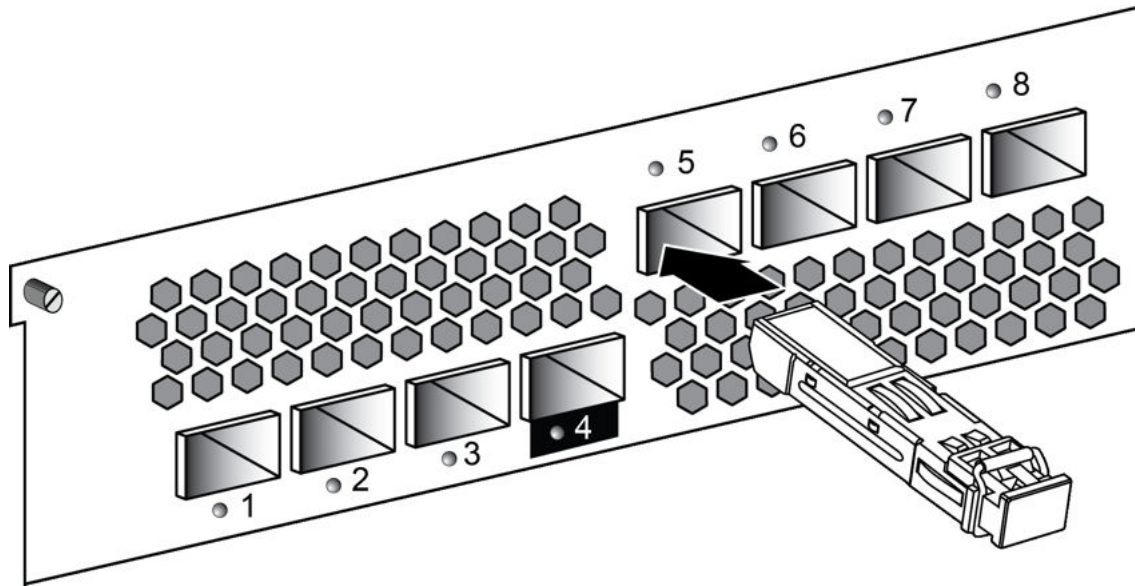
Risk of equipment damage

SFP+ transceivers are keyed to prevent incorrect insertion. If the SFP+ transceiver resists pressure, do not force it; turn it over, and reinsert it.

Apply a light pressure to the SFP+ transceiver until the device clicks and locks into position in the module.

4. Remove the dust cover from the SFP+ optical bores, and insert the fiber optic cable.

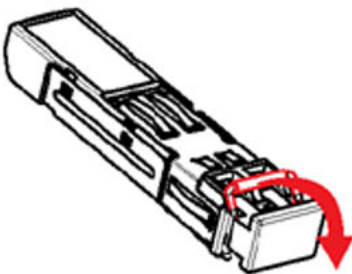
Example



Job aid

Depending on the transceiver manufacturer, the SFP+ transceiver uses bail-latch type of locking and extractor mechanism.

The following figure shows typical mechanism used on SFP+ transceivers; other locking and extractor mechanisms exist. SFP+ transceivers are similar to SFP transceivers in physical appearance. In the following figure, the SFP+ transceiver still contains the bore plug. Pull the bail to release the device.



Removing an SFP+

Remove an SFP+ transceiver to replace it or to commission it elsewhere.

Before you begin

- Wear an antistatic wrist strap.

 Danger:**Risk of eye injury by laser**

Fiber optic equipment can emit laser or infrared light that can injure your eyes. Never look into an optical fiber or connector port. Always assume that fiber optic cables connect to a light source.

 Electrostatic alert:

ESD can damage electronic circuits. Do not touch electronic hardware unless you wear a grounding wrist strap or other static-dissipating device.

Procedure

1. Disconnect the network fiber optic cable from the SFP+ connector.
2. Pull the swing-down latch handle to the fully lowered position, and hold the handle to extract the module.
3. Slide the SFP+ transceiver out of the module SFP+ slot.

If the SFP+ does not slide easily from the module slot, use a gentle side-to-side rocking motion while firmly pulling the SFP+ transceiver from the slot.

4. Affix dust covers over the fiber optic bore and connector.
5. Store the SFP+ transceiver in a safe place until needed.

 Important:

If you discard the SFP+ transceiver, dispose of it according to all national laws and regulations.

SFP+ specifications

This section provides technical specifications for the supported 10-gigabit SFP+ models. Use these specifications to aid in network design.

The specifications in this section support the IEEE 802.3-2012 standard. For more information, see the IEEE 802.3 document. All Avaya SFP+ transceivers meet or exceed these standards.

SFP+ labels

The typical Avaya SFP+ transceiver has a label on the top and bottom or side of the transceiver. The following figures show example labels. Avaya does use alternate labels, depending on the size of the device and space available for label information. Some devices do not have a CLEI code or label.

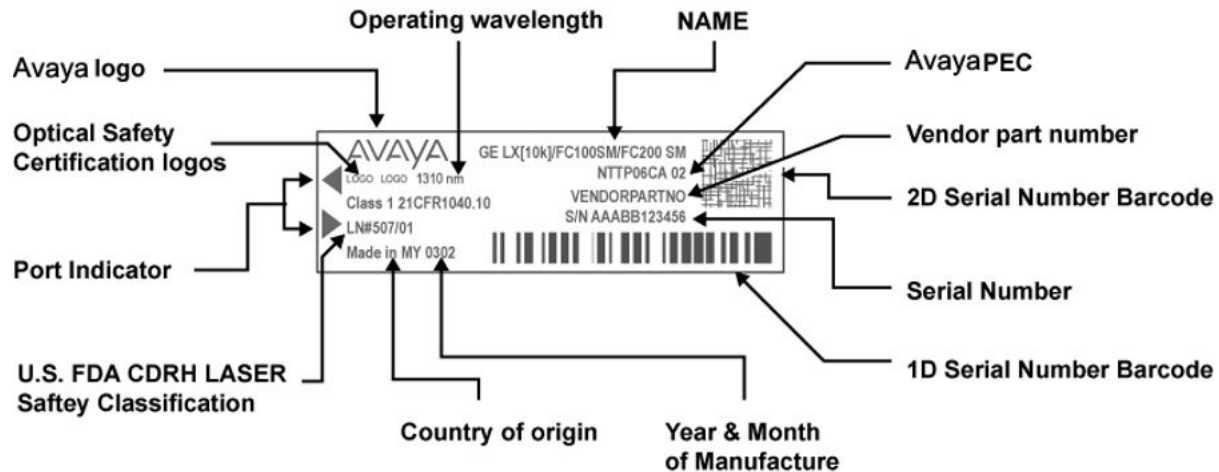


Figure 2: SFP+ top label



Figure 3: SFP+ bottom label

General SFP+ specifications

The following table describes general SFP+ specifications.

Table 18: General SFP+ specifications

Parameter	Specifications
Dimensions (H x W x D)	8.5 x 13.4 x 56.4 millimeters (0.33 x 0.53 x 2.22 inches), unless otherwise stated.
Connectors	LC ultra physical contact (UPC)
Storage temperature	-40 to 85 °C
Operating temperature	0 to 70 °C for RoHS -E6 models up to 85 °C for high temperature models

Supported SFP+ transceivers

The following section provides specifications for the supported SFP+ transceivers.

10GBASE-SR/SW SFP+ specifications

The 10GBASE-SR/SW SFP+ transceivers provides 10 GbE service at 850 nm.

For more information about the 10GBASE-SR/SW SFP+ transceiver, including test and measurement information, see the IEEE 802.3ae standard.

 **Caution:**

Risk of equipment damage

To prevent damage to the optical receiver, ensure that at least 1 dB of attenuation exists between the transmit and receive ports.

The following table lists the specifications for the 10GBASE-SR/SW SFP+ transceivers. The part number of this SFP+ transceiver is AA1403015-E6.

Table 19: IEEE 802.3ae 10GBASE-SR/SW SFP+ transceiver specifications

Parameter	Specifications
Data rate	10 gigabits per second (Gbps)
Line rate (64B/66B code)	10.3125 Gbps \pm 100 parts per million (ppm)
Center wavelength range	840 to 860 nanometers (nm), nominal 850 nm
Distance	Using 62.5 μ m MMF optic cable: <ul style="list-style-type: none"> • 160 MHz-km fiber: 2 to 26 m • 200 MHz-km fiber: 2 to 33 m Using 50 μ m MMF optic cable: <ul style="list-style-type: none"> • 400 MHz-km fiber: 2 to 66 m • 500 MHz-km fiber: 2 to 82 m • 2000 MHz-km fiber: 2 to 300 m • 4700 MHz-km fiber (OM4): 2 to 400 m
Link optical power budget	7.3 dB
Maximum transmitter and dispersion penalty	3.9 dB at 300 m
Transmitter characteristics	
Root-mean-square spectral width	0.05 to 0.40 nm
Launch power	-7.3 to -1.0 dBm
Minimum extinction ratio	3.0 dB
Maximum optical return loss tolerance	-12 dB
Receiver characteristics	
Average receive power for BER 10^{-12}	-9.9 to -1.0 dBm
Receiver damage threshold	0 dBm
Maximum receiver sensitivity in OMA	-11.1 dBm
Maximum receiver reflectance	-12 dB
Stressed receiver sensitivity in OMA	-7.5 dBm

10GBASE-LRM SFP+ specifications

The 10GBASE-LRM SFP+ transceiver provides 10 GbE service at a wavelength of 1310 nm. This SFP+ transceiver can attain a reach of up to 220 m on 62.5 μm multimode fiber.

The following table lists the transmitter and receiver specifications for the 10GBASE-LRM SFP+ transceiver. These parameters meet the IEEE 802.3aq-2006 standard. The part number of this SFP+ transceiver is AA1403017-E6.

In this table, the OMA, average launch power, and peak power specifications apply at TP2, after accounting for patch cord loss.

Table 20: IEEE 802.3aq 10GBASE-LRM SFP+ transceiver specifications

Parameter	Specifications
Data rate	10 Gbps
Line rate (64B/66B code)	10.3125 Gbps \pm 100 ppm
Center wavelength range	1260 to 1355 nm; 1310 nm nominal
Distance	Up to 220 m
Link optical power budget	1.7 to 1.9 dB
Maximum transmitter waveform and dispersion penalty (TWDP)	4.7 dB
Transmitter characteristics	
Average launch power	-6.5 to 0.5 dBm
Peak launch power	3 dBm
Root-mean-square spectral width	2.4 to 4 nm
Launch power in OMA	-4.5 to 1.5 dBm
Minimum extinction ratio	3.5 dB
Optical return loss tolerance (minimum)	-20 dB
Receiver characteristics	
Receiver damage threshold	1.5 dBm
Receiver reflectance (maximum)	-12 dB

For more information about the conditions used for the stressed receiver tests, and other information, see the IEEE 802.3-2012 standard.

The following table (from IEEE 802.3-2012) describes the maximum channel insertion loss. The channel insertion loss includes both attenuation and connector loss (1.5 dB); therefore the maximum fiber attenuation is 0.2 to 0.4 dB.

Table 21: 10GBASE-LRM channel insertion loss and range

Fiber type (core diameter and OFL bandwidth)	Range	Maximum channel insertion loss
62.5 μm (FDDI grade) • 160 MHz-km at 850 nm • 500 MHz-km at 1300 nm	Up to 220 m	1.9 dB
62.5 μm (ISO/IEC OM1) • 200 MHz-km at 850 nm • 500 MHz-km at 1300 nm	Up to 220 m	1.9 dB
50 μm (ISO/IEC OM2) • 500 MHz-km at 850 nm • 500 MHz-km at 1300 nm	Up to 220 m	1.9 dB
50 μm • 400 MHz-km at 850 nm • 400 MHz-km at 1300 nm	Up to 100 m	1.7 dB
50 μm (ISO/IEC OM3) • 1500 MHz-km at 850 nm (includes laser launch bandwidth) • 500 MHz-km at 1300 nm (includes laser launch bandwidth)	Up to 220 m	1.9 dB

The following abbreviations are used in the preceding tables:

- FDDI – Fiber Distributed Data Interface
- ISO – International Standards Organization
- IEC – International Electrotechnical Commission
- OFL – Over Filled Launch

10GBASE-LR/LW SFP+ specifications

The 10GBASE-LR/LW SFP+ transceiver provides 10 GbE or OC-192 service at a nominal wavelength of 1310 nm. This SFP+ transceiver can attain link lengths of up to 10 km.

For more information about the 10GBASE-LR/LW SFP+ transceiver, including test and measurement information, see the IEEE 802.3ae standard.

The following table lists the transmitter and receiver specifications for the 10GBASE-LR/LW SFP+ transceiver. The part number of this SFP+ transceiver is AA1403011-E6.

Table 22: IEEE 802.3ae 10GBASE-LR/LW SFP+ transceiver specifications

Parameter	Specifications
Center wavelength range	1260 to 1355 nm; 1310 nm nominal
Distance	Up to 10 km
Link optical power budget	9.4 dB
Maximum transmitter and dispersion penalty	3.2 dB at 10 km
Transmitter characteristics	
Line rate (nominal)	10GBASE-LR 10.3125 Gbps \pm 100 ppm (10 GbE)
Average launch power	-8.2 to 0.5 dBm
Minimum launch power in OMA minus transmission and dispersion penalty (TDP)	-6.2 dBm
Minimum optical modulation amplitude	-5.2 dBm
Minimum extinction ratio	3.5 dB
Maximum optical return loss tolerance	-12 dB
Maximum transmitter reflectance	-12 dB
Receiver characteristics	
Line rate (nominal)	10GBASE-LR 10.3125 Gbps \pm 100 ppm (10 GbE)
Average receive power for BER 10^{-12}	-14.4 dBm to 0.5 dBm
Receiver damage threshold	1.5 dBm
Maximum receiver sensitivity in OMA	-12.6 dBm
Maximum receiver reflectance	-12 dB
Stressed receiver sensitivity in OMA	-10.3 dBm

Examples of an OFF transmitter are as follows: no power supplied to the PDM, laser shutdown for safety conditions, activation of a PMD_global_transmit_disable or other optional transmitter shutdown condition.

10GBASE-ER/EW SFP+ specifications

The 10GBASE-ER/EW SFP+ transceiver provides a reach of up to 40 km at a wavelength of 1550 nm.

For more information about the 10GBASE-ER/EW SFP+ transceiver, including test and measurement information, see the IEEE 802.3ae standard.

The following table lists the transmitter and receiver specifications for the 10GBASE-ER/EW SFP+ transceiver. The part number of this SFP+ transceiver is AA1403013-E6.

Table 23: IEEE 802.3ae 10GBASE-ER/EW SFP+ transceiver specifications

Parameter	Specifications
Line rate (nominal)	10GBASE-ER/EW 10.3125 Gb/s \pm 100 ppm (10 GbE)

Table continues...

Parameter	Specifications
Center wavelength range	1530 to 1565 nm; nominal 1550 nm
Distance	Up to 40 km
Link optical power budget	15 dB
Transmitter and dispersion power penalty	3.0 dB at 40 km
Transmitter characteristics	
Launch power	−4.7 to 4.0 dBm
Minimum side mode suppression ratio	30 dB
Minimum launch power in OMA minus transmission and dispersion penalty (TDP)	−2.1 dBm
Minimum optical modulation amplitude	−1.7 dBm
Maximum average launch power of OFF transmitter	−30 dBm
Minimum extinction ratio	3.0 dB
Maximum RIN_{12OMA}	−128 dB/Hz
Maximum optical return loss tolerance	−21 dB
Receiver characteristics	
Average receive power for BER 10^{-12}	− 15.8 dBm to −1.0 dBm
Maximum receive power for damage	4.0 dBm
Maximum receiver sensitivity in OMA	−14.1 dBm
Maximum receiver reflectance	−26 dB
Stressed receiver sensitivity in OMA	−11.3 dBm
Receive electrical 3 dB upper cutoff frequency (maximum)	12.3 GHz

The following list shows examples of an OFF transmitter:

- No power supplied to the PDM.
- Laser shutdown for safety conditions.
- Activation of `PMD_global_transmit_disable` or other optional transmitter shutdown condition.

10GBASE-CX specifications

The 10GBASE-CX is a 2-pair twinaxial copper cable that plugs into the SFP+ socket and connects two 10-gigabit ports. The reach for this cable is up to 15 m with a bit error rate (BER) better than 10^{-12} .

The 10GBASE-CX is a lower cost alternative to the optical SFP+ devices.

For more information about the 10GBASE-CX, including test and measurement information and more specifications, see the IEEE 802.3–2012 standard. The following table identifies the part numbers for specific cable lengths.

Table 24: 10GBASE-CX cables

Cable length	Part number
3 meter	AA1403019-E6
5 meter	AA1403020-E6
10 meter	AA1403018-E6

10GBASE-ZR/ZW SFP+ specifications

The following table lists the transmit and receive specifications for the 10GBASE-ZR/ZW SFP+ transceiver. The part number of this SFP+ transceiver is AA1403016-E6.

Warning:

Risk of BER increase

For proper SFP+ transceiver operation, ensure that at least 11 dB of attenuation is present between the transmit and receive ports.

The reach for this SFP+ transceiver is up to 70 km* at a wavelength of 1550 nm.

Table 25: 10GBASE-ZR/ZW SFP+ specifications

Parameter	Specifications
Line rate (nominal)	10GBASE-ZR 10.3125 Gbps \pm 100 ppm (10 GbE)
Distance	Up to 70 km *
Link optical power budget	24 dB
Dispersion power penalty	3.0 dB at 70 km (G.652 fiber)
Minimum attenuation between transmit and receive ports	11 dB
Transmitter characteristics	
Center wavelength range	1530 to 1565 nm, nominal 1550 nm
Average launch power	0 to 4.0 dBm
Optical modulation amplitude (minimum)	-1.7 dBm
Extinction ratio (ER) (minimum)	8.2 dB
Maximum transmitter reflectance	-12 dB
Receiver characteristics	
Wavelength range	1280 to 1575 nm. Sensitivity specified for 1530 to 1565 nm.
Maximum receiver sensitivity (average power)	-24 dBm
Maximum receiver (average) power, BER 10^{-12}	-7.0 dBm
Receiver damage threshold (average power)	+5.0 dBm
Receiver reflectance (maximum)	-27 dB

SFP+

* Achievable link distance is primarily dependent on cable plant insertion loss. 70 km is not possible in some situations.

Chapter 6: Translations of safety messages

This chapter contains translations of the safety messages, which are found throughout this document.

Class A electromagnetic interference warning statement

 **Warning:**

Risk of electromagnetic interference

This device is a Class A product. Operation of this equipment in a residential area is likely to cause harmful interference, in which case users are required to take appropriate measures necessary to correct the interference at their own expense.

 **Warning:**

AVERTISSEMENT

Le périphérique est un produit de Classe A. Le fonctionnement de cet équipement dans une zone résidentielle risque de causer des interférences nuisibles, auquel cas l'utilisateur devra y remédier à ses propres frais.

 **Warning:**

WARNUNG

Dies ist ein Gerät der Klasse A. Bei Einsatz des Geräts in Wohngebieten kann es Störungen des Radio- und Fernsehempfangs verursachen. In diesem Fall muss der Benutzer alle notwendigen Maßnahmen ergreifen, die möglicherweise nötig sind, um die Störungen auf eigene Rechnung zu beheben.

 **Warning:**

ADVERTENCIA

Este es un producto clase A. El uso de este equipo en áreas residenciales puede causar interferencias nocivas, en cuyo caso, se requerirá que los usuarios tomen cualquier medida necesaria para corregir la interferencia por cuenta propia.

 **Warning:**

AVISO

Este dispositivo é um produto Classe A. Operar este equipamento em uma área residencial provavelmente causará interferência prejudicial; neste caso, espera-se que os usuários tomem as medidas necessárias para corrigir a interferência por sua própria conta.

 **Warning:**

AVVISO

Questo dispositivo è un prodotto di Classe A. Il funzionamento di questo apparecchio in aree residenziali potrebbe causare interferenze dannose, nel cui caso agli utenti verrà richiesto di adottare tutte le misure necessarie per porre rimedio alle interferenze a proprie spese.

Electrostatic discharge caution statement

 **Electrostatic alert:**

ELECTROSTATIC ALERT

ESD can damage electronic circuits. Do not touch electronic hardware unless you wear a grounding wrist strap or other static-dissipating device.

 **Electrostatic alert:**

ELEKTROSTATIKWARNUNG

Elektronische Schaltkreise können durch elektrostatische Entladung beschädigt werden. Berühren Sie elektronische Hardware nur, wenn Sie ein Erdungsarmband oder ein anderes Statik ableitendes Medium tragen.

 **Electrostatic alert:**

ALERTA DE ELECTROESTÁTICA

Una descarga electroestática puede dañar los circuitos electrónicos. No toque el hardware electrónico a no ser que utilice una muñequera antiestática u otro dispositivo disipador de estática.

 **Electrostatic alert:**

ALERTA CONCERNANT LES DÉCHARGES ÉLECTROSTATIQUES

Une décharge électrostatique (DES) peut endommager les circuits électroniques. Ne touchez pas le matériel électronique, à moins de mettre à votre poignet une bande de mise à la masse ou autre dispositif dissipant l'électricité statique.

 **Electrostatic alert:****ALERTA DE ELETROSTÁTICA**

ESD pode danificar circuitos eletrônicos. Não toque em equipamentos eletrônicos a menos que esteja utilizando pulseira de aterramento ou outro dispositivo para dissipação de energia estática.

 **Electrostatic alert:****AVVISO ELETTROSTATICO**

Le scariche elettrostatiche (ESD) possono danneggiare i circuiti elettronici. Non toccare i componenti elettronici senza aver prima indossato un braccialetto antistatico o un altro dispositivo in grado di dissipare l'energia statica.

Laser eye safety danger statement

 **Danger:****Risk of eye injury by laser**

Fiber optic equipment can emit laser or infrared light that can injure your eyes. Never look into an optical fiber or connector port. Always assume that fiber optic cables are connected to a light source.

 **Danger:****DANGER**

Risques de blessure oculaire par lumière laser

L'équipement de fibres optiques peut émettre une lumière laser ou infrarouge nuisible à vos yeux. Ne regardez jamais en direction de fibres optiques ou d'un port connecteur. Supposez toujours que les câbles de fibres optiques sont connectés à une source de lumière.

 **Danger:****GEFAHR**

Risiko einer Augenverletzung durch Laser

Risiko einer Augenverletzung durch Laser Glasfasergeräte können Laserstrahlen oder ultraviolette Licht aussenden, das Ihre Augen verletzen kann. Schauen Sie nie direkt in einen Glasfaserleiter oder Verbindungsanschluss. Gehen Sie immer davon aus, dass Glasfaserkabel mit einer Lichtquelle verbunden sind.

 **Danger:****PELIGRO**

Riesgo de lesión en los ojos por láser

El equipo de fibra óptica puede emitir una luz láser o infrarroja que dañe sus ojos. Nunca mire un puerto de fibra óptica o conector. Siempre asuma que los cables de fibra óptica están conectados a una fuente de luz.

 **Danger:**

PERIGO

O laser pode causar ferimentos no olho

O equipamento de fibra óptica pode emitir laser ou luz infravermelha que pode causar danos a sua vista. Nunca olhe para dentro da fibra óptica ou da porta do conector. Tenha sempre em mente que os cabos de fibra óptica estão ligados a uma fonte de luz.

 **Danger:**

PERICOLO

Rischio di ustioni agli occhi dovute al laser

Le apparecchiature con fibre ottiche possono emettere raggi laser o infrarossi in grado di provocare ferite agli occhi. Non guardare mai all'interno di una porta di connessione o una fibra ottica. Tenere sempre presente che i cavi a fibra ottica sono collegati a una sorgente luminosa.

Laser eye safety connector inspection danger statement

 **Danger:**

Risk of eye injury

When you inspect a connector, ensure that light sources are off. The light source used in fiber optic cables can damage your eyes.

 **Danger:**

DANGER

Risques de blessure oculaire

Assurez-vous que toutes les sources de lumière ont été désactivées avant de procéder au contrôle d'un connecteur. La source de lumière utilisée dans les câbles de fibres optiques risque de provoquer des lésions oculaires.

 **Danger:**

GEFAHR

Verletzungsrisiko der Augen

Achten Sie bei der Kontrolle der Anschlüsse darauf, dass die Lichtquellen abgeschaltet sind. Die für die Glasfaserkabel verwendeten Lichtquellen können Augenschäden hervorrufen.

 **Danger:****PELIGRO**

Riesgo de lesiones oculares

Cuando inspeccione un conector, controle que las fuentes de luz estén apagadas. La fuente de luz que utilizan los cables de fibra óptica puede ocasionar daños en la vista.

 **Danger:****PERIGO**

Risco de ferimento nos olhos

Ao inspecionar um conector, verifique se as fontes luminosas estão desligadas. A fonte luminosa usada nos cabos de fibra ótica pode causar danos a seus olhos.

 **Danger:****PERICOLO**

Rischio di lesioni agli occhi

Quando si esamina un connettore, assicurarsi che le sorgenti di luce siano spente. La sorgente di luce utilizzata nei cavi a fibre ottiche potrebbero danneggiare gli occhi.

Connector cleaning safety danger statement

 **Danger:****Risk of eye injury**

When you inspect a connector, ensure that light sources are off. The light source used in fiber optic cables can damage your eyes. To avoid getting debris in your eyes, wear safety glasses when you work with the canned air duster. To avoid eye irritation on contact, wear safety glasses when you work with isopropyl alcohol.

 **Danger:****DANGER**

Risques de blessure oculaire

Assurez-vous que toutes les sources de lumière ont été désactivées avant de procéder au contrôle d'un connecteur. La source de lumière utilisée dans les câbles de fibres optiques risque de provoquer des lésions oculaires. Pour éviter tout risque de projection vers les yeux, portez des lunettes de protection lorsque vous utilisez la bombe dépoussiérante à air comprimé. Pour éviter tout risque d'irritation oculaire, portez des lunettes de protection lorsque vous utilisez de l'alcool à 90°.

 **Danger:**

GEFAHR

Verletzungsrisiko der Augen

Achten Sie bei der Kontrolle der Anschlüsse darauf, dass die Lichtquellen abgeschaltet sind. Die für die Glasfaserkabel verwendeten Lichtquellen können Augenschäden hervorrufen. Zum Schutz vor Schmutzteilchen tragen Sie eine Schutzbrille, wenn Sie mit einem Pressluft-Spray arbeiten. Zum Schutz vor Augenirritationen tragen Sie eine Schutzbrille, wenn Sie mit Isopropanol arbeiten.

 **Danger:**

PELIGRO

Riesgo de lesiones

Cuando inspeccione un conector, controle que las fuentes de luz estén apagadas. La fuente de luz que utilizan los cables de fibra óptica puede ocasionar daños en la vista. Cuando trabaje con el pulverizador de aire envasado, utilice gafas de seguridad para evitar el ingreso de residuos en los ojos. Utilice gafas de seguridad cuando trabaje con alcohol isopropilo para evitar irritación en los ojos.

 **Danger:**

PERIGO

Risco de ferimento nos olhos

Ao inspecionar um conector, verifique se as fontes luminosas estão desligadas. A fonte luminosa usada nos cabos de fibra óptica pode causar danos a seus olhos. Para evitar que seus olhos sejam atingidos por resíduos, use óculos de segurança ao trabalhar com lata de ar comprimido. Para evitar irritação dos olhos, use óculos de segurança ao trabalhar com álcool isopropílico.

 **Danger:**

PERICOLO

Rischio di lesioni agli occhi

Quando si esamina un connettore, assicurarsi che le sorgenti di luce siano spente. La sorgente di luce utilizzata nei cavi a fibre ottiche potrebbero danneggiare gli occhi. Per evitare l'accidentale introduzione di detriti negli occhi, indossare gli occhiali di sicurezza quando si lavora con un'impolveratrice ad aria compressa. Per evitare irritazioni oculari da contatto, indossare gli occhiali di sicurezza quando si lavora con alcool isopropilico.

Optical fiber damage warning statement

 **Warning:**

Risk of equipment damage

Do not crush fiber optic cable. If fiber optic cable is in the same tray or duct with large, heavy electrical cables, the weight of the electrical cable can damage the fiber optic cable.

 **Warning:**

AVERTISSEMENT

Risques d'endommagement de l'équipement

N'exercez pas de pression sur les câbles de fibres optiques. Ne placez pas de câbles de fibres optiques dans la même caisse ou dans le même fourreau que des câbles électriques lourds car leur poids risquerait de les endommager.

 **Warning:**

WARNUNG

Risiko von Geräteschäden

Das Glasfaserkabel darf nicht zerdrückt werden. Wenn sich ein Glasfaserkabel zusammen mit großen und schweren Elektrokabeln im gleichen Kabelkanal oder in der gleichen Führung befindet, kann es durch das Gewicht der Elektrokabel beschädigt werden.

 **Warning:**

ADVERTENCIA

Riesgo de daños en los equipos

Evite aplastar los cables de fibra óptica. Si el cable de fibra óptica se encuentra en la misma bandeja o conducto que otros cables eléctricos grandes y pesados, puede dañarse.

 **Warning:**

AVISO

Risco de danos ao equipamento

Não amasse o cabo de fibra ótica. Se o cabo de fibra ótica estiver na mesma bandeja ou duto com cabos elétricos longos e pesados, ele pode ser danificado pelo peso do cabo elétrico.

 **Warning:**

Avvertenza

Rischio di danno all'apparecchio

Non schiacciare o piegare il cavo a fibre ottiche. Se il cavo a fibre ottiche è posizionato in un vassoio o condotto con cavi elettrici pesanti e di grosse dimensioni, esso potrebbe essere danneggiato dal peso dei cavi elettrici.

Optical fiber connector damage warning statement

 **Warning:**

Risk of equipment damage

To prevent further contamination, clean fiber optic equipment only when you see evidence of contamination.

To prevent contamination, cover the optical ports of all active devices with a dust cap or optical connector.

To avoid the transfer of oil or other contaminants from your fingers to the end face of the ferrule, handle connectors with care.

 **Warning:**

AVERTISSEMENT

Risques d'endommagement de l'équipement

Pour éviter tout risque de nouvelle contamination, nettoyez uniquement le matériel en fibre optique lorsque les preuves de contamination sont avérées.

Pour éviter tout risque de contamination, assurez-vous que tous les ports optiques des périphériques sous tension sont protégés par un capuchon anti-poussière ou par un connecteur optique.

Manipulez les connecteurs avec précaution afin d'éviter toute application d'huile provenant de vos doigts ou d'autres contaminants sur l'extrémité de la ferrule.

 **Warning:**

WARNUNG

Risiko von Geräteschäden

Zur Vermeidung weiterer Verunreinigungen reinigen Sie die Glasfaser-Ausrüstung nur dann, wenn sie offensichtlich kontaminiert ist.

Zur Vermeidung von Verunreinigungen schützen Sie die optischen Ports aller aktiven Geräte mit einer Staubkappe oder einem optischen Steckverbinder.

Zur Vermeidung von Verunreinigungen des hinteren Muffenteils durch Öl von den Fingern oder durch andere Kontaminationsstoffe behandeln Sie die Anschlüsse vorsichtig.

 **Warning:**

ADVERTENCIA

Riesgo de daños en los equipos

Limpie los equipos de fibra óptica únicamente cuando existan rastros de contaminación para evitar diseminarla aun más.

Para evitar la contaminación, controle que los puertos ópticos de todos los dispositivos activos estén cubiertos con una tapa protectora o un conector óptico.

Maneje los conectores con cuidado para no contaminar la superficie de los casquillos con la grasa de los dedos ni otros contaminantes.

 **Warning:**

AVISO

Risco de danos ao equipamento

Para evitar contaminação futura, limpe o equipamento ótico apenas quando houver evidência de contaminação.

Para evitar a contaminação, verifique se as portas óticas de todos os dispositivos ativos estão cobertas com uma proteção contra pó ou conector ótico.

Para evitar a transferência de óleo ou outro agente contaminador de seus dedos para a extremidade final da ponteira, manuseie os conectores com cuidado.

 **Warning:**

Avvertenza

Rischio di danno all'apparecchio

Per evitare ulteriori contaminazioni, pulire l'apparecchio a fibre ottiche solo in presenza di evidente contaminazione.

Per evitare contaminazioni, assicurarsi che le porte ottiche di tutti i dispositivi attivi siano coperte da un tappo antipolvere o da un connettore ottico.

Per evitare il trasferimento di olio o di altri agenti contaminanti dalle dita alla parte finale della ghiera, maneggiare con cura i connettori.

SFP damage warning statement

 **Warning:**

Risk of equipment damage

SFPs are keyed to prevent incorrect insertion. If the SFP resists pressure, do not force it; turn it over, and reinsert it.

 **Warning:**

AVERTISSEMENT

Risques d'endommagement de l'équipement

Afin d'éviter tout risque d'insertion incorrecte, les modules SFP sont verrouillés. Si vous ne parvenez pas à insérer un module SFP, ne forcez pas. Retournez-le et renouvelez l'opération.

 **Warning:**

WARNUNG

Risiko von Geräteschäden

Die SFPs sind so konstruiert, dass ein falsches Einsetzen verhindert wird. Lässt sich ein SFP auch auf Druck hin nicht einsetzen, versuchen Sie nicht, es gewaltsam einzusetzen, sondern drehen Sie es um, und setzen Sie es erneut ein.

 **Warning:**

ADVERTENCIA

Riesgo de daños en los equipos

Los módulos SFP cuentan con cuñas que no permiten insertarlos de forma incorrecta. Si el módulo SFP opone resistencia a la presión, no lo fuerce; gírelo e insértelo nuevamente.

 **Warning:**

AVISO

Risco de danos ao equipamento

Os SFPs são chaveados para evitar inserção indevida. Se o SFP resistir à pressão, não o force; inverta e recoloque-o.

 **Warning:**

Avvertenza

Rischio di danni all'apparecchio

Gli SFP dispongono di chiavi in modo da evitarne l'inserimento errato. Se l'SFP resiste alla pressione, non forzarlo ma capovolgerlo e reinserirlo.

Glossary

attenuation	The decrease in signal strength in an optical fiber caused by absorption and scattering.
bit error rate (BER)	The ratio of the number of bit errors to the total number of bits transmitted in a specific time interval.
cable plant	All the optical elements, such as fiber connectors and splices, between a transmitter and a receiver.
coarse wavelength division multiplexing (CWDM)	A technology that uses multiple optical signals with different wavelengths to simultaneously transmit in the same direction over one fiber, and then separates by wavelength at the distant end.
demultiplexing	The wavelength separation in a wavelength-division multiplexing system. The opposite of multiplexing.
dense wavelength division multiplexing (DWDM)	A technology that uses many optical signals (16 or more) with different wavelengths to simultaneously transmit in the same direction across one fiber, and then separate by wavelength at the distant end.
dispersion	The broadening of input pulses as they travel the length of an optical fiber. The following types of dispersion exist: <ul style="list-style-type: none">• modal dispersion—caused by the many optical path lengths in a multimode fiber• chromatic dispersion—caused by the differential delay at various wavelengths in an optical fiber• waveguide dispersion—caused by light traveling through both the core and cladding materials in single-mode fibers
gigabit Ethernet (GbE)	Ethernet technology with speeds up to 10 Gbps.
light emitting diode (LED)	A semiconductor diode that emits light when a current passes through it.
media	A substance that transmits data between ports; usually fiber optic cables or category 5 unshielded twisted pair (UTP) copper wires.

metropolitan area network (MAN)	A broadband network that covers an area larger than a Local Area Network.
multimode fiber (MMF)	A fiber with a core diameter larger than the wavelength of light transmitted that you can use to propagate many modes of light. Commonly used with LED sources for low speed and short distance lengths. Typical core sizes (measured in microns) are 50/125, 62.5/125 and 100/140.
multiplexing	Carriage of multiple channels over a single transmission medium; a process where a dedicated circuit is shared by multiple users. Typically, data streams intersperse on a bit or byte basis (time division), or separate by different carrier frequencies (frequency division).
nanometer (nm)	One billionth of a meter (10^{-9} meter). A unit of measure commonly used to express the wavelengths of light.
quad small form-factor pluggable plus (QSFP+)	The quad small form-factor pluggable plus (QSFP+) is a transceiver used for data communications applications, which connects a module to a fiber optic cable.
single-mode fiber (SMF)	One of the various light waves transmitted in an optical fiber. Each optical signal generates many modes, but in single-mode fiber only one mode is transmitted. Transmission occurs through a small diameter core (approximately 10 micrometers), with a cladding that is 10 times the core diameter. These fibers have a potential bandwidth of 50 to 100 gigahertz (GHz) per kilometer.
Small Form Factor Pluggable (SFP)	A hot-swappable input and output enhancement component used with Avaya products to allow gigabit Ethernet ports to link with other gigabit Ethernet ports over various media types.
Small Form Factor Pluggable plus (SFP+)	SFP+ transceivers are similar to SFPs in physical appearance but SFP+ transceivers provide Ethernet at 10 gigabits per second (Gbps).
unshielded twisted pair (UTP)	A cable with one or more pairs of twisted insulated copper conductors bound in a single plastic sheath.
XFP	A pluggable 10 gigabit transceiver capable of providing different optical media for a switch. The XFP is similar to an SFP transceiver but is larger in size.