



# Ethernet Routing Switch 3600 Series Quick Install Guide

## Before you start

Depending on your hardware model, your switch may appear different than the figures shown in this guide.

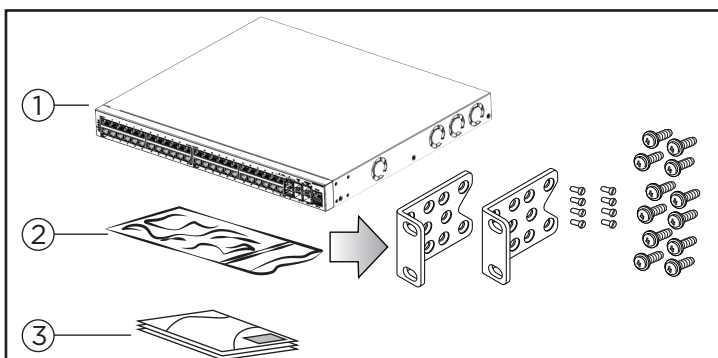
## 1 Tools Required and Package Contents

Confirm that you have the tools and package contents as follows:

### Tools Required:

- Phillips #2 screwdriver
- Console cable

### Package Contents:



1. Ethernet Routing Switch 3600 Series
2. Rack-mounting hardware that includes:
  - Rack-mount brackets (2)
  - Screws to attach brackets to the switch (8)
  - Screws to attach the switch to the equipment rack (3 x 4).
3. Rubber footpads (ERS 3626GTS-PWR+ only)
4. Documentation that includes Quick Install poster and the Regulatory Document

**Note:** Be sure to order Direct Attach cables and SFP or SFP+ Transceivers if required.

**Note:** Be sure to order the correct power cord for your region.

## 2a Unpack equipment

- Unpack the Ethernet Routing Switch 3600 Series.
- Observe ESD precautions when unpacking.

## 2b (Optional) Prepare the rack

1. Provide the equivalent of 1U of vertical rack space for each 3626 or 3650 model in an EIA or IEC-standard 19-inch (48.2-centimeter) equipment rack.
2. Ensure that the equipment rack is stable and securely attached to a permanent structure.
3. Ground the rack to the same grounding electrode used by the power service in the area. The ground path must be permanent and must not exceed 1 Ohm of resistance from the rack to the grounding electrode. Extreme Networks recommends using a filter or surge suppressor.

## 2c Install the Switch

When you install the switch in the network, ensure you use the following cables:

- Category 5E or higher specification cabling should be used for 1 Gbps/1000 Mbps operation
- RJ-45 console port cables and adaptors are as follows:

Product Number	Name	Description
AL2011020-E6	DB-9 RED TO RJ-45 ADAPTOR	DB-9 RED TO RJ-45 SERIAL PORT.  Can be used with standard Category 5 cable to connect DB-9 FEMALE serial port on PCs.
AL2011022-E6	RJ-45/DB-9 CONSOLE CABLE	1.8m cable with DB-9 Female for terminal/PC on one end and RJ-45 for device console port connectivity on the other

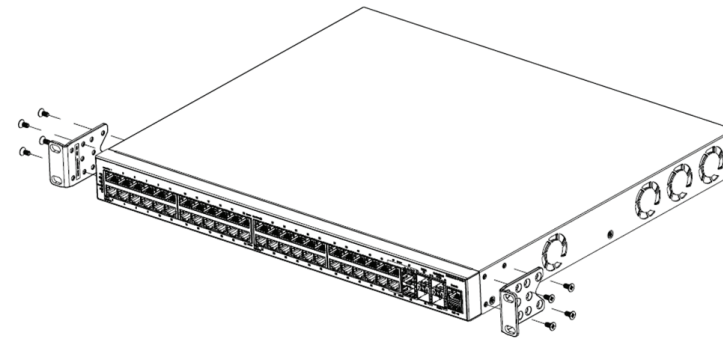
- Stacking cables

Product Number	Description
AA1403018-E6	10m (Active Copper Cable) SFP+ direct attach cable
AA1403019-E6	3.0m (Active Copper Cable) SFP+ direct attach cable
AA1403020-E6	5.0m (Active Copper Cable) SFP+ direct attach cable
700512588	SFP+ to SFP+, 10G, passive, 0.5M
700512589	SFP+ to SFP+, 10G, passive, 1.0M

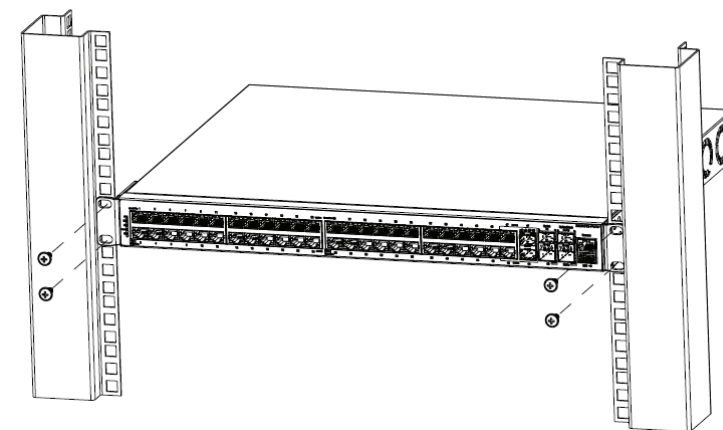
## 3a Rack mouting

**Note:** Extreme Networks does not supply the bolts used to secure the switch to the rack. Ensure you obtain the appropriate bolts to secure the switch to your specific rack before you begin.

1. Attach a bracket to each side of the switch.



2. Attach a bracket to each side of the switch.



3. Slide the switch into the rack. Insert and tighten the rack-mount screws.

4. Verify that the switch is securely fastened to the rack.

## 3b Table mouting

For information about installing an ERS 3626GTS-PWR+ on a table or shelf, see Installing the Ethernet Routing Switch 3600 Series.

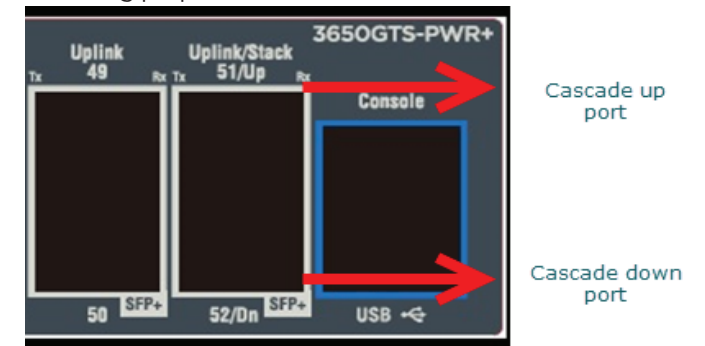
## 4 Stacking

The Ethernet Routing Switch 3600 Series provides fail-safe stackability. You can connect up to eight ERS 3600 Series devices in a stack to provide uninterrupted connectivity for up to 224 to 416 ports. You can manage the stack as a single unit.

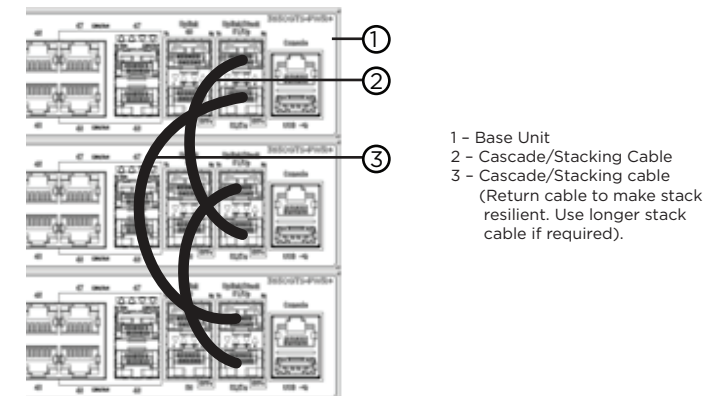
To install/add a unit to a stack, you must change the default mode from standalone to stacking mode and reboot the unit. See Installing Ethernet Routing Switch 3600 Series for more details.

The Ethernet Routing Switch 3600 Series back panel provides a Base Unit switch. The Base Unit Switch is used to designate the base unit in a stack. When set to the RIGHT position, this unit acts as the Base Unit for the stack.

The Ethernet Routing Switch 3600 Series provides a Cascade Down port, and a Cascade Up ports on the front panel for stacking purposes as shown below:



Cascade Down and Cascade Up ports – used to connect a switch to the next unit in a stack through a cascade cable. Connect one end of the Cascade Down cable to the Cascade Up port of the next switch in the stack (shown in the three-switch stack connection block diagram below):



To create a stack connection, order the appropriate cascade cables to ensure fail-safe stacking. For stacking three or more units (maximum eight units per stack), order the applicable 3.0 m, 5.0 m, or 10 m cables as applicable (see "Stacking cables").

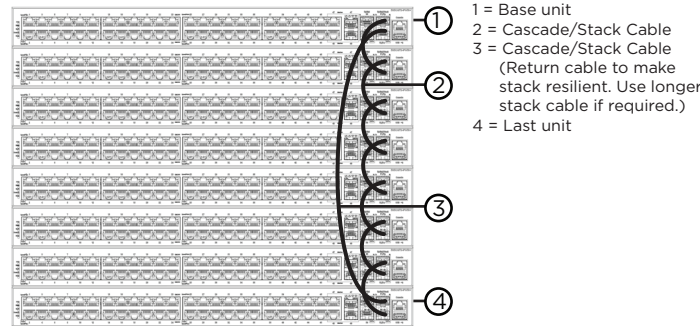
1. Ensure all the switches for the stack are rack mounted.
2. Slide the Base Unit Select switches on the back of the units to the appropriate position, depending on whether they are a base unit or a non-base unit:
  - Base Unit – Slide the Base Unit Select switch to the RIGHT.
  - Non-Base Unit – Slide the Base Unit Select switch to the LEFT.

Because stack parameters are associated with the base unit, the physical stack order depends on the base unit position and whether you configure the stack cascade up (stack up) or cascade down (stack down). This designation depends on the stack cabling arrangement.

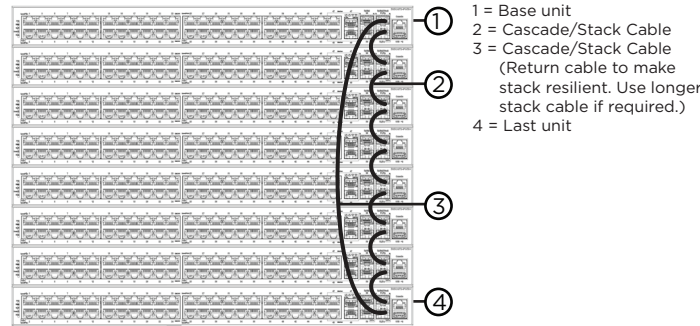
**IMPORTANT:** Extreme Networks recommends you to use the Cascade Down configuration.

3. Connect stacking cables as required for a Cascade Up (stack up) or Cascade Down (stack down) configuration as shown below:

### Cascade Down (stack down) configuration



### Cascade Up (stack up) configuration



## 5 Powering Up

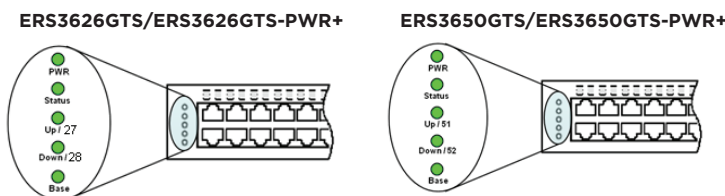
Connect the AC power cord to the back of the switch, and then plug the other end of the cord into an AC power outlet.



**Warning:** You must use a power cord set approved for the ERS 3600 Series switch and the power receptacle type for your country.

## 6

Check the front-panel LEDs as the device powers on to be sure the PWR LED is lit. If not, check if the power cord is plugged in correctly.



The ERS 3600 Series switches begin switching data after the switch is powered up and has loaded the agent code software, which is indicated by both the PWR and Status LEDs being lit solid green.

## 7 Console Port pin assignments

The console port is the RJ-45 port shown with a blue border outline on the front of your ERS 3600 Series switch (note the orientation). The port is labeled Console.



Use an RJ-45 to DB-9 cable to connect the switch console port to your management terminal. Extreme Networks recommends that you use the RJ-45 Console Cable part number: AL2011022-E6. Alternatively, a DB-9 to RJ-45 adapter or other suitable console cables can be used - the maximum length of a console cable is 25 feet (8.3 meters). The following table describes the RJ-45 console port pin-out information. You can use the pin-out information to verify or create a console cable for use with your maintenance terminal.

Connector	Pin Number	Signal
	1	RTS (ready to send) - optional
	2	DTR (data terminal ready) - optional
	3	TXD (transmit data) - mandatory
	4	GND (ground) - mandatory
	5	DCD (carrier detect) - optional
	6	RXD (receive data) - mandatory
	7	DSR (data set ready) - optional
	8	CTS (clear to send) - optional

## 8 Setting IP parameters using the console port and CLI QuickStart

- a. Connect the console cable from the terminal to the console port of the switch to allow initial configuration. Any terminal or PC with the appropriate terminal emulator can be used as the management station.

Terminal emulation settings

Property	Value
Baud Rate	9600 bps
Data Bits	8
Stop Bits	1
Parity	None
Flow Control	None

To connect to the switch console port, you require a console cable with an RJ-45 connector to match the console port on the switch.

- b. Set the terminal protocol on the terminal or terminal emulation program to VT100 or VT100/ANSI.
- c. Connect to the switch using the terminal or terminal emulation application.
- d. The Extreme Networks switch banner appears when you connect to the switch through the Console port. There is no default password for the switch for CLI console access. Enter Ctrl+Y and type the following CLI commands:
  - enable
  - install
- e. The CLI Quickstart welcome screen helps you enter the information requested at each prompt.

**Note:** The ERS 3600 uses the default IP address of 192.168.1.1/24 if the switch does not get its IP address from another source.

## CLI Quickstart welcome screen

```
#####
Welcome to the ERS3600 setup utility.
You will be requested to provide the switch basic connectivity
settings. After entering the requested info, the configuration
will be applied and stored into the switch NVRAM.

Once the basic connectivity settings are applied, additional
configuration can be done using the available management inter-
faces.

Use Ctrl+C to abort the configuration at any time.

#####

Please provide the Quick Start VLAN <1-4094> [1]:
Please provide the in-band IP Address[192.0.2.3]:
Please provide the in-band sub-net mask[255.255.255.0]:
Please provide the Default Gateway[192.0.2.4]:
Please provide the Read-Only Community String[*****]:
Please provide the Read-Write Community String[*****]:
Please provide the in-band IPV6 Address/Prefix_length[:,/0]:
Please provide the in-band IPV6 Default Gateway[:,:]:

#####
Basic stack parameters have now been configured and saved.
#####
```

## 9 Connecting to the ERS 3600 embedded Web UI

1. Connect a Laptop/PC to any Ethernet port and ensure that the PC has an IP address configured within the same IP subnet as the switch management IP address.
2. Start your web browser, such as Internet Explorer or Firefox.
3. Enter switch management IP address in the URL field and press Enter (for example; 192.0.2.1).
4. The switch summary screen appears on your browser. Use the navigation tree on the left to select switch configuration options.

**Note:** You do not need login credentials.

### CLI boot and factory default commands:

`boot` - reboot the switch  
`boot default` - reboot and use the factory default configuration  
`restore factory default` - reset the switch to factory default configuration

## Recommended reading

To obtain additional documentation references, go to <http://www.extremenetworks.com/support/documentation/> and download the following ERS 3600 documents:

- Locating Documentation
- Documentation Reference
- Installing ERS 3600
- Installation Job Aid
- Release Notes



6480 Via Del Oro  
San Jose, CA 95119  
Tel: +1 408-579-2800  
Toll-free: +1 888-257-3000  
[WWW.EXTREMENETWORKS.COM](http://WWW.EXTREMENETWORKS.COM)