

ExtremeSwitching™

# Installation Job Aid for Ethernet Routing Switch 4900 Series

9035552  
May 2018

## Notices

Notice paragraphs alert you about issues that require your attention. The following paragraphs describe the types of notices used in this guide.

 **Note:**

Notes provide tips and useful information regarding the installation and operation of products.

 **Electrostatic alert:**

**ESD**

ESD notices provide information about how to avoid discharge of static electricity and subsequent damage to products.

 **Caution:**

Caution notices provide information about how to avoid possible service disruption or damage to products.

 **Warning:**

Warning notices provide information about how to avoid personal injury when working with products.

 **Voltage:**

Danger — High Voltage notices provide information about how to avoid a situation or condition that can cause serious personal injury or death from high voltage or electric shock.

 **Danger:**

Danger notices provide information about how to avoid a situation or condition that can cause serious personal injury or death.

# Safety messages

Safety messages are an important part of the technical documentation. The messages alert you to hazards to personnel and equipment and provide guidance for the safe operation of your equipment. Failure to comply with the safety messages could result in equipment damage and personal injury.

Following are the most common types of safety messages.

 **Warning:**

Installation must be performed by qualified service personnel only. Read and follow all warning notices and instructions marked on the product or included in the documentation.

 **Voltage:**

This equipment relies on the building's installation for overcurrent protection. Ensure that a fuse or circuit breaker no larger than 120 VAC/20 A or 240 VAC/16 A is used on the phase conductors.

 **Caution:**

This device is a Class A product. In a domestic environment, this device can cause radio interference, in which case the user may be required to take appropriate measures.

 **Caution:**

When mounting this device in a rack, do not stack units directly on top of one another in the rack. Each unit must be secured to the rack with appropriate mounting brackets. Mounting brackets are not designed to support multiple units.

 **Voltage:**

Use only power cords that have a grounding path. Without a proper ground, a person who touches the switch is in danger of receiving an electrical shock. Lack of a grounding path to the switch can result in excessive emissions.

 **Warning:**

Disconnecting the power cord is the only way to turn off power to this device. Always connect the power cord in a location that can be reached quickly and safely in case of an emergency.

 **Warning:**

Fiber optic equipment can emit laser or infrared light that can injure your eyes. Never look into an optical fiber or connector port. Always assume that fiber optic cables are connected to a light source.



# Installing the switch in an equipment rack

**\* Note:**

The instructions in this section apply to all switches in Ethernet Routing Switch 4900 Series.

## About this task

Install the switch in an equipment rack.

## Before you begin

### Tool requirements

- Phillips screwdriver to attach brackets to the switch and the switch to the rack.

### Rack requirements

- Space of 2.8 inches (7.1 cm) for each switch is available in an E1A or 1EC standard 19 inch (48.2 cm) equipment rack and T1A 23 inch (58.5 cm) equipment rack.
- Appropriate rack space is available to accommodate 1U switch height (44 mm).
- Rack is bolted to the floor and braced if necessary.
- Rack is grounded to the same grounding electrode used by the power service in the area. The ground path must be permanent and must not exceed 1 Ohm of resistance from the rack to the grounding electrode.

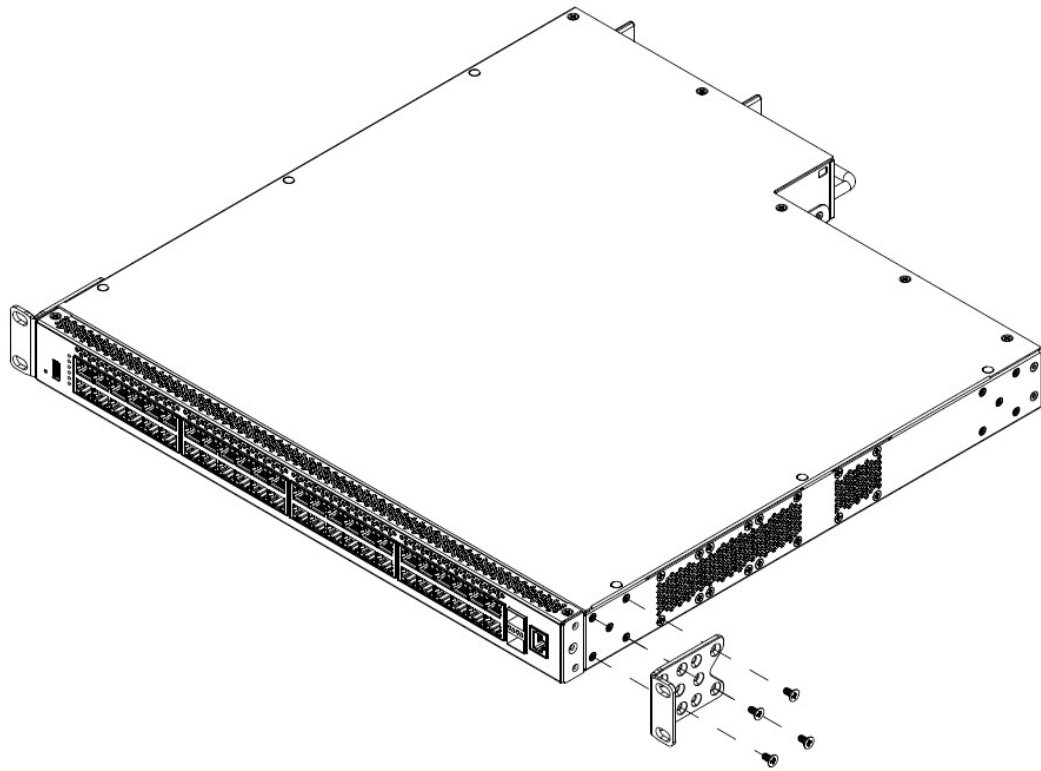
**\* Note:**

The bolts used to secure the switch to the rack are not supplied. Ensure you obtain the appropriate bolts to secure the switch to your specific rack before you begin.

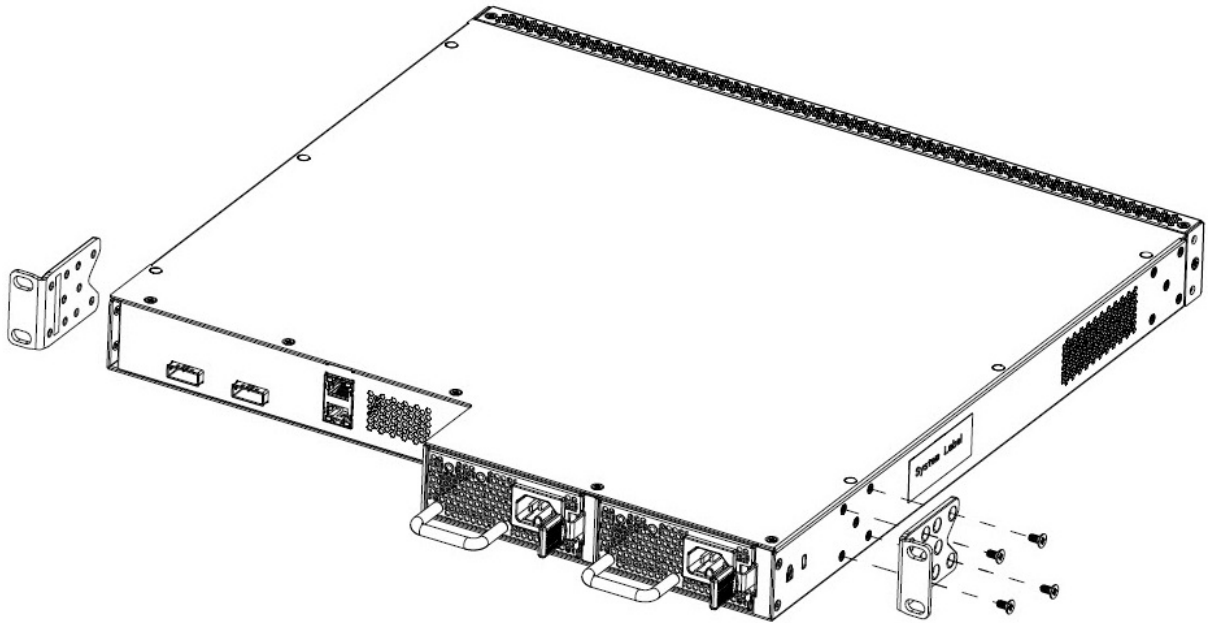
## Procedure

1. Ensure power is disconnected from the switch.
2. Attach a bracket to each side of the switch with the included screws.

You have different options for front and rear mounting positions. Attach the brackets in the best position for your specific equipment rack.



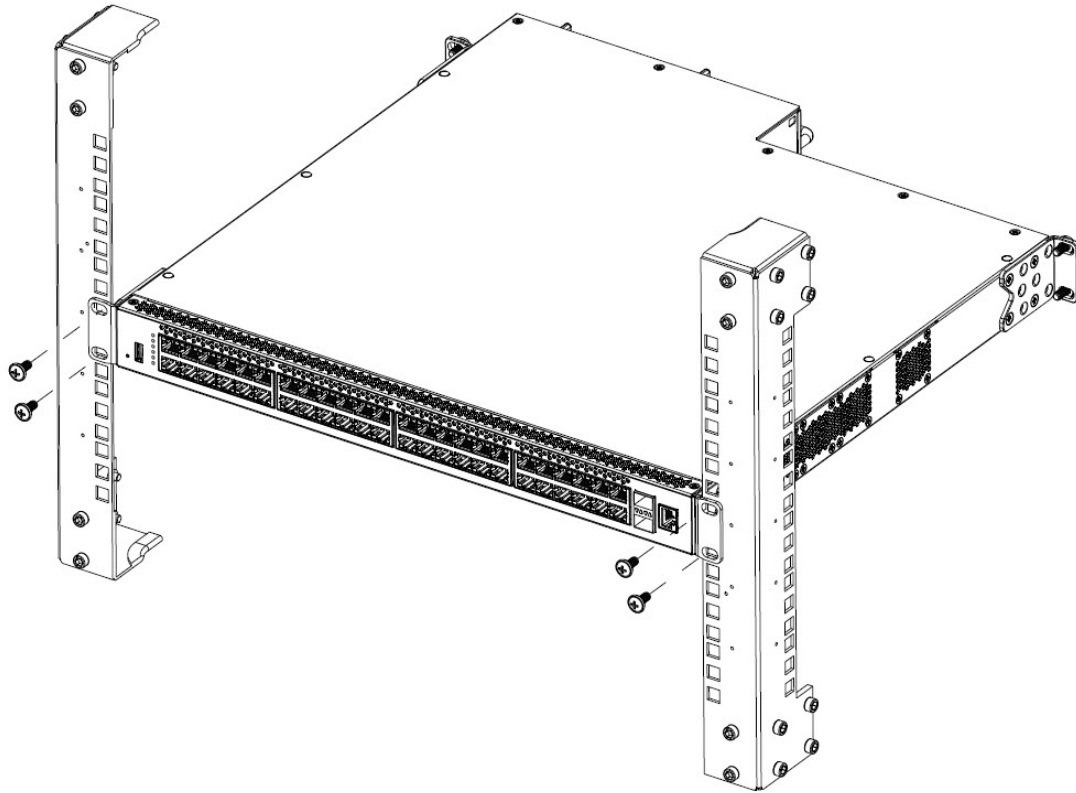
**Figure 1: Front-mounted rack bracket installation**



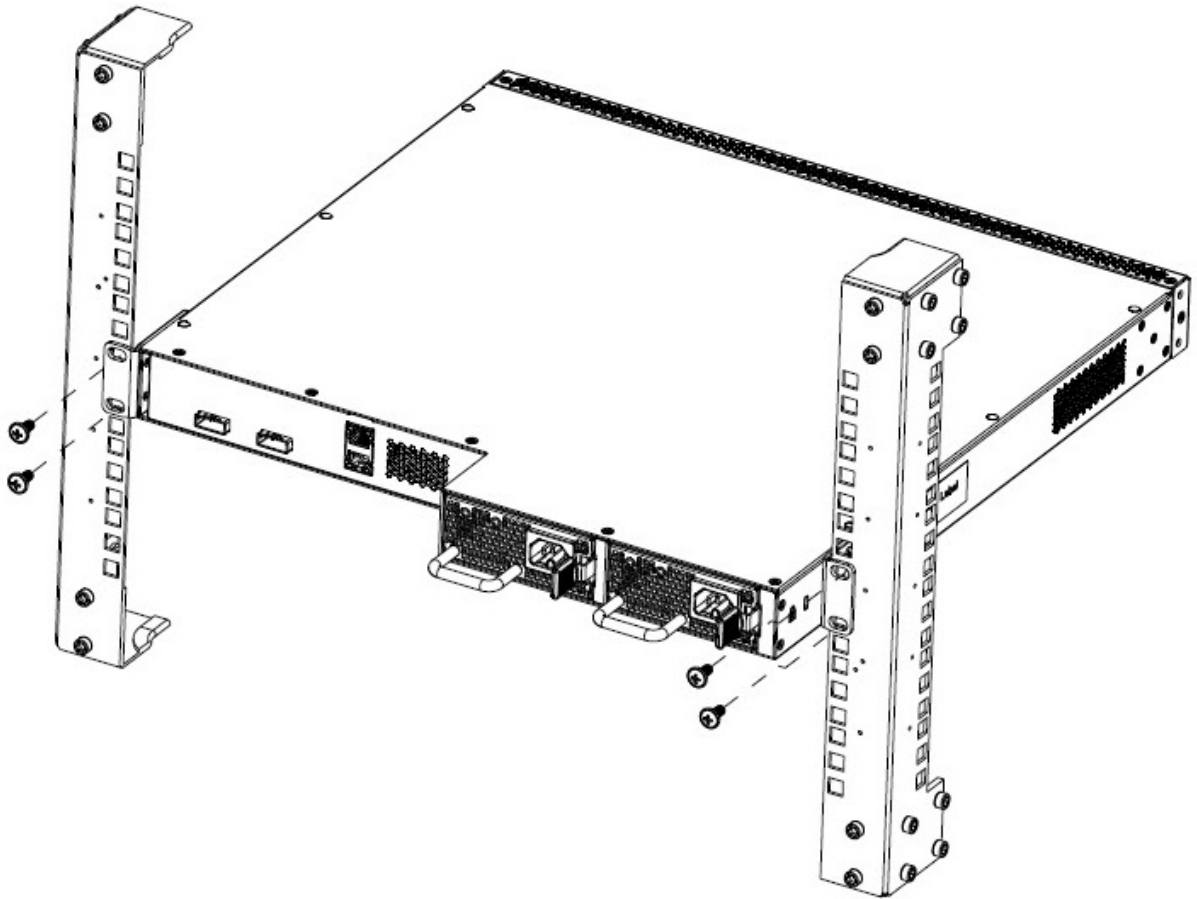
**Figure 2: Rear-mounted rack bracket installation**

3. Slide the switch into the rack.
4. Insert and tighten the rack mount screws.

For four-post equipment rack installations, an optional four-post rack mounting kit (sold separately) is available that includes adjustable rear brackets. For more information, see *Installing Ethernet Routing Switch 4900 Series*.

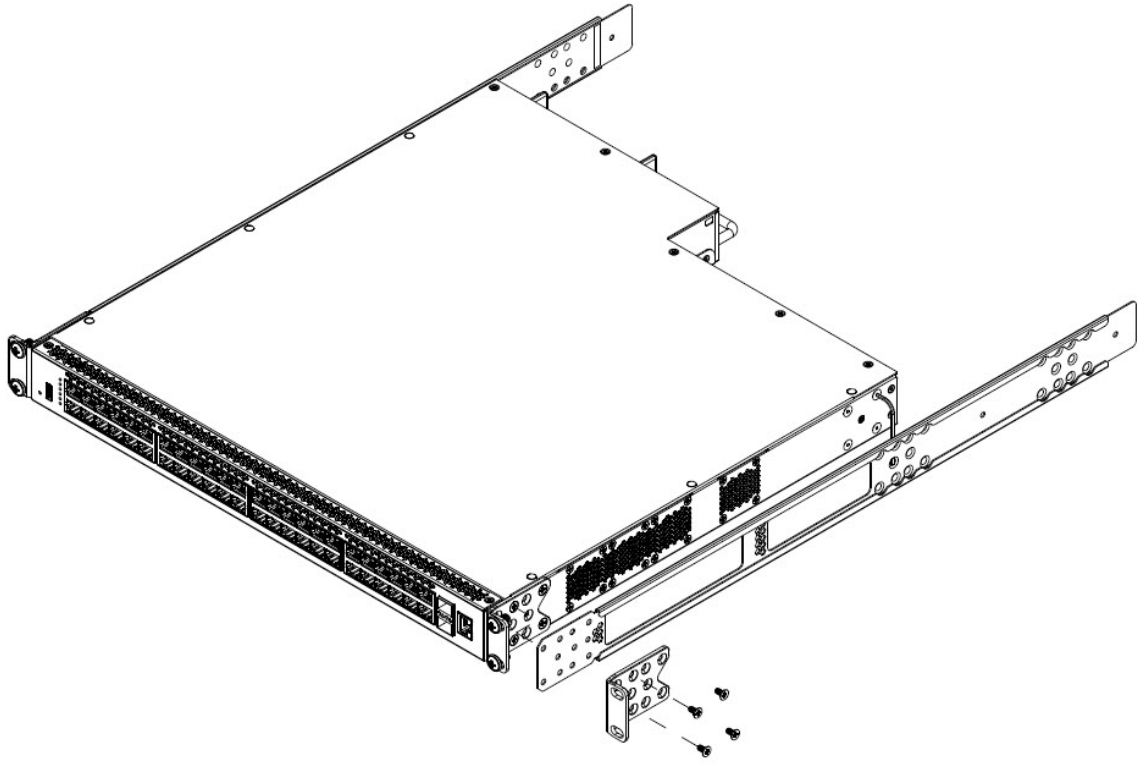


**Figure 3: Front-mounted rack installation**



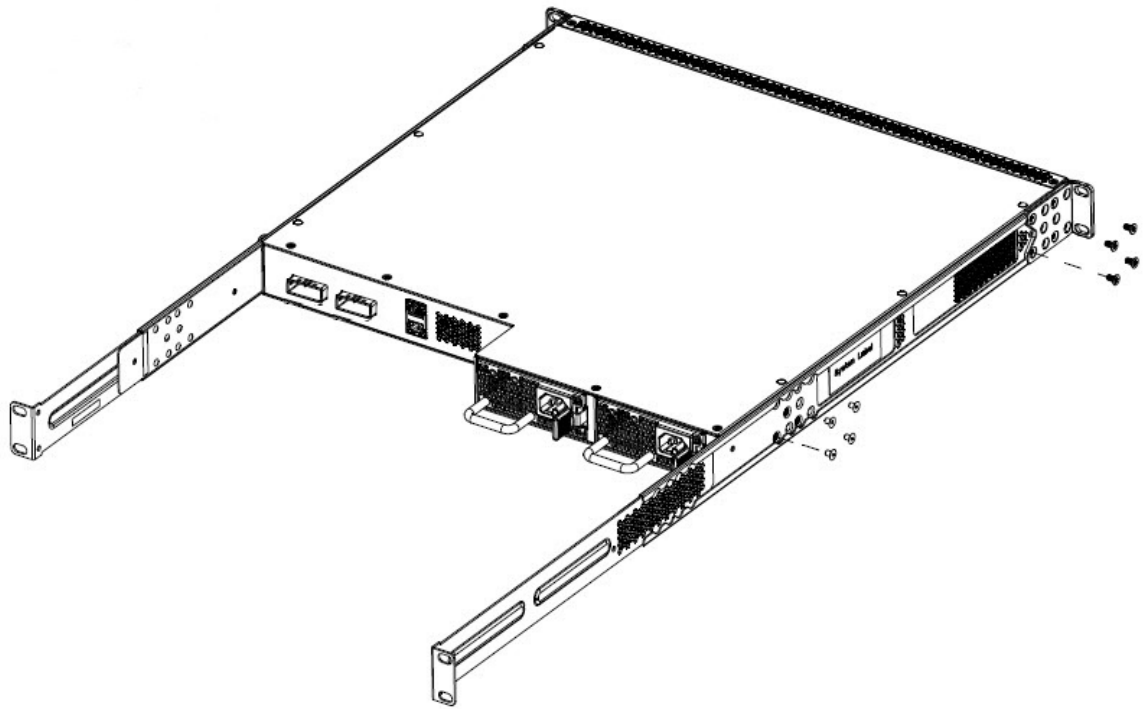
**Figure 4: Rear-mounted rack bracket installation**

For four-post equipment rack installations, an optional four-post rack mounting kit (sold separately) is available that includes adjustable rear brackets. For more information, see *Installing Ethernet Routing Switch 4900 Series*.



**Figure 5: Rack mount attachment screws**





**Figure 6: Optional four-post rack mount brackets**

5. Slide the switch into the rack.
6. Fasten the switch to the equipment rack with rack mount screws.

For four-post equipment rack installations, fasten the switch to the equipment rack with rack mount screws on all four corners.

7. Verify that the switch is securely fastened to the rack.

You can proceed with the installation by connecting power and network connections to the switch.

## Connecting AC power

### About this task

The Ethernet Routing Switch 4900 Series does not have a power switch. When you connect the AC power cord to a suitable AC power outlet, the switch powers up immediately.

### Before you begin

Ensure to use the correct power cord for the switch and power supply.

### Procedure

1. Connect the AC power cord to the back of the switch.

2. Connect the cord to a power outlet.