

# ipe-2200ax-T and ipe-2200ax-F

## Installation in a Rack

### Installation in a Rack

An ipe-2200ax appliance is to be installed in a rack.

It is also possible to lay it on a table. Make sure it lays flat and it is stable.

**Warning:** whatever the method of installation used, do not obstruct the ventilation openings on the front and rear panels of the case.

Choose a suitable location for the rack unit that will hold your appliance. It should be situated in a clean, dust-free and well ventilated area. Avoid areas where heat, electrical noise and electromagnetic fields are generated. You will also need it placed near a grounded power outlet.

### Preparing for Setup

The box your chassis was shipped in should include two sets of rail assemblies, two rail mounting brackets and the mounting screws you will need to install the system into the rack.

Please read this section in its entirety before you begin the installation procedure outlined in the sections that follow.

### Choosing a Setup Location

- Leave enough clearance in front of the rack to enable you to open the front door completely (~60 cm / 25 inches).
- Leave approximately 75 cm / 30 inches of clearance in the back of the rack to allow for sufficient airflow and ease in servicing.
- This product is for installation only in a Restricted Access Location (dedicated equipment rooms, service closets and similar environments).

### Rack Precautions

- Ensure that the leveling jacks on the bottom of the rack are fully extended to the floor with the full weight of the rack resting on them.
- In single rack installation, stabilizers should be attached to the rack.
- In multiple rack installations, the racks should be coupled together.
- Always make sure the rack is stable before extending a component from the rack.
- You should extend only one component at a time. Extending two or more simultaneously may cause the rack to become unstable.

## Appliance Precautions

- Review the electrical and general safety precautions that came with the components you are adding to your chassis.
- Determine the placement of each component in the rack before you install the rails.
- Install the heaviest component on the bottom of the rack first, and then work up.
- Use a regulating, uninterruptible power supply (UPS) to protect the appliance from power surges, voltage spikes and to keep your system operating in case of a power failure.
- Allow the hard drives and power supply modules to cool before touching them.
- Always keep the rack's front door, all panels and components on the appliance closed when not servicing, in order to maintain proper cooling.

## Rack Mounting Considerations

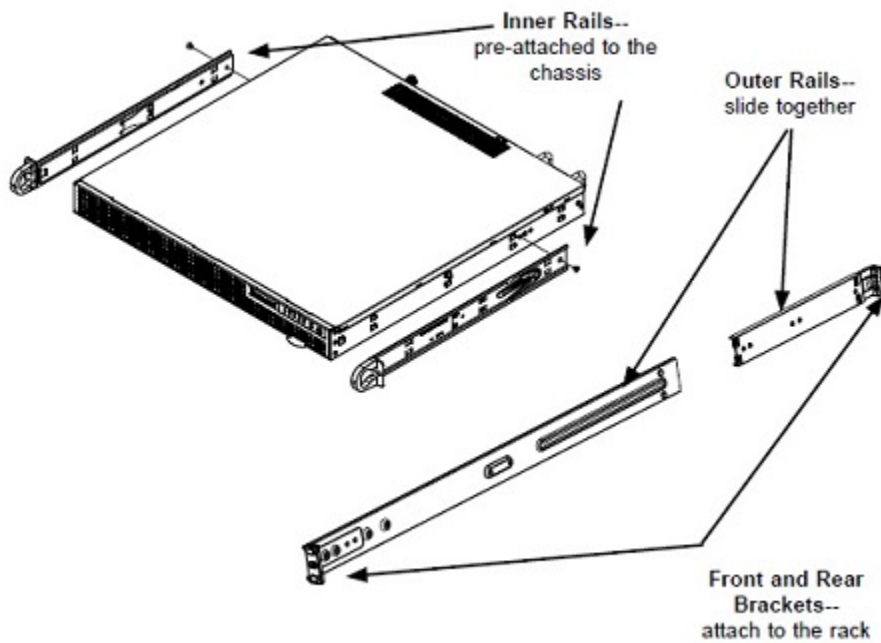
- **Ambient Operating Temperature:** If installed in a closed or multi-unit rack assembly, the ambient operating temperature of the rack environment may be greater than the ambient temperature of the room. Therefore, consideration should be given to installing the appliance in an environment compatible with the maximum rated ambient temperature (TMRA).
- **Reduced Airflow:** Equipment should be mounted into a rack so that the amount of airflow required for safe operation is not compromised.
- **Mechanical Loading:** Equipment should be mounted into a rack so that a hazardous condition does not arise due to uneven mechanical loading.
- **Circuit Overloading:** Consideration should be given to the connection of the appliance to the power supply circuitry and the effect that any possible overloading of circuits might have on overcurrent protection and power supply wiring. Appropriate consideration of equipment nameplate ratings should be used when addressing this concern.
- **Reliable Ground:** A reliable ground must be maintained at all times. To ensure this, the rack itself should be grounded. Particular attention should be given to power supply connections other than the direct connections to the branch circuit (for example, the use of power strips, and other devices).

## Rack Mounting Instructions

The appliance chassis can be used normally with or without a rack.

This section provides information on installing the appliance into a rack unit with the rails provided. There are a variety of rack units on the market, which may mean the assembly procedure will differ slightly. You should also refer to the installation instructions that came with the rack unit you are using.

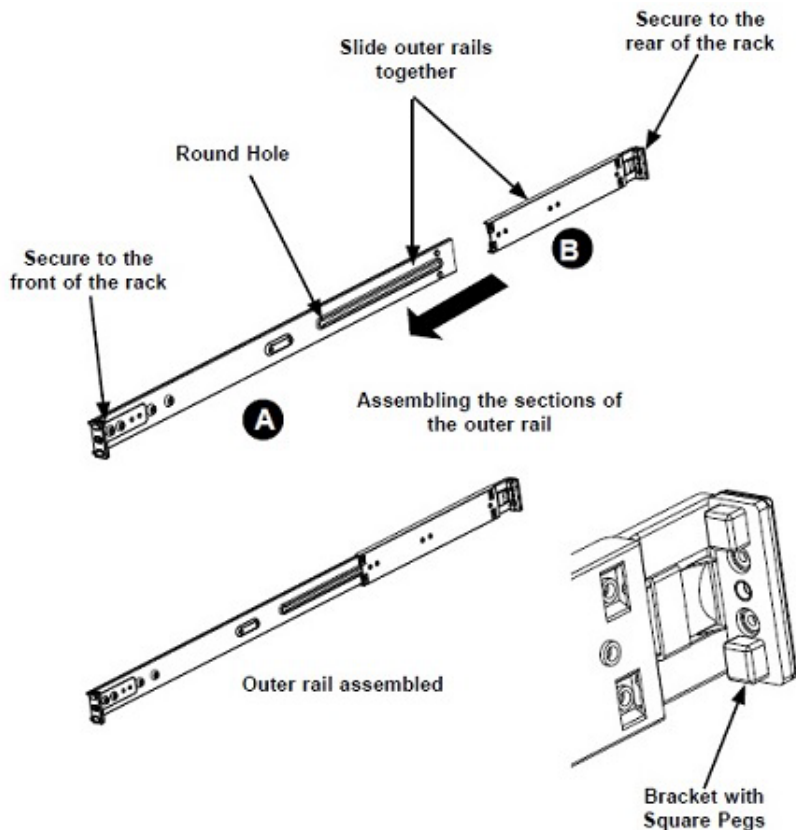
The chassis package includes two sets of rack rails, one set for the right side of the chassis and one for the left. Each set includes the outer rail pieces that attach to the rack. The outer rails accept an inner rail that is pre-attached directly to the chassis.



### Assembling the Outer Rails

Each outer rail comes in two sections that must be assembled before mounting onto the rack.

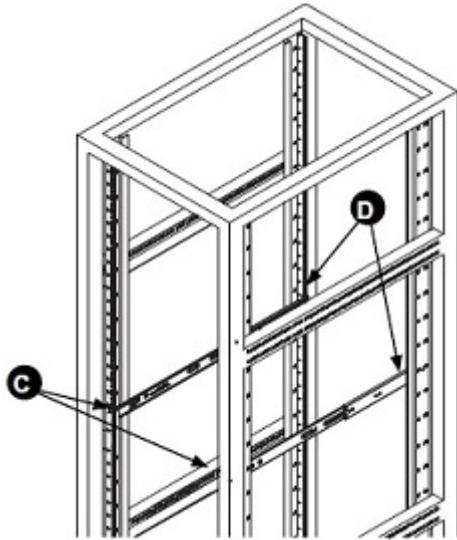
1. Identify the left and right outer rails by examining the ends, which bend outward. Match the left front outer rail with the left rear outer rail and the same for the right rails.
2. Align the round post in the rear rail (B) with the round hole at the end of the slot in the front rail (A) and slide the front section into the rear section.



## Installing the Outer Rails onto the Rack

Each end of the assembled outer rail includes a bracket with square pegs to fit into your rack holes. If you have an older rack with round holes, these brackets must be removed, and you must use screws to secure the rail to the rack.

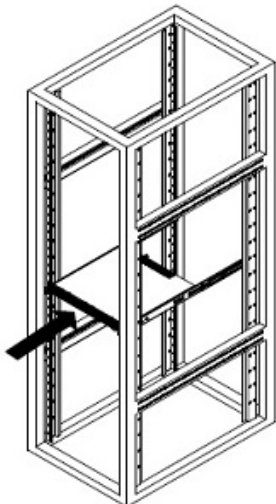
1. Align the square pegs on the front end of the rail with the square holes on the front of the rack (C). Push the rail into the rack until the quick release bracket snaps into place, securing the rail to the rack. Keep the rail horizontal.
2. Adjust the rail to reach the full depth of your rack.
3. Align the square pegs on the rear end of the rail to the holes on the rack (D) and push the rail into the rack until the quick release bracket snaps into place, securing the rail to the rack.
4. Repeat the procedure for the other outer rail assembly.



**Note:** the figure above is for illustrative purposes only. Always install servers at the bottom of the rack first.

## Sliding the appliance onto the Rack Rails

1. Align the chassis rails with the front of the rack rails.
2. Slide the chassis rails into the rack rails, keeping the pressure even on both sides. The spring latch engages when the chassis is part way in. Push the appliance completely into the rack.
3. Insert and tighten the thumbscrews that hold the front of the appliance to the rack.



**Note:** the figure above is for illustrative purposes only. Always install servers at the bottom of the rack first.

**Warning:** do not pick up the appliance with the front handles. They are designed to pull the system from a rack only.

**Copyright © 2022 Extreme Networks, Inc. All rights reserved.**

### **Legal Notice**

Extreme Networks, Inc. reserves the right to make changes in specifications and other information contained in this document and its website without prior notice. The reader should in all cases consult representatives of Extreme Networks to determine whether any such changes have been made.

The hardware, firmware, software or any specifications described or referred to in this document are subject to change without notice.

### **Trademarks**

Extreme Networks and the Extreme Networks logo are trademarks or registered trademarks of Extreme Networks, Inc. in the United States and/or other countries.

All other names (including any product names) mentioned in this document are the property of their respective owners and may be trademarks or registered trademarks of their respective companies/owners. For additional information on Extreme Networks trademarks, see:

<http://www.extremenetworks.com/company/legal/trademarks>

### **Open Source Declarations**

Some software files have been licensed under certain open source or third-party licenses. End- user license agreements and open source declarations can be found at:

<https://www.extremenetworks.com/support/policies/open-source-declaration/>