

ExtremeSwitching™

Installation Job Aid for VSP 4450GTX-HT-PWR+

Release 6.1.0.0
NN46251-305
Issue 02.01
November 2017

Notices

Notice paragraphs alert you about issues that require your attention. The following paragraphs describe the types of notices used in this guide.

 **Note:**

Notes provide tips and useful information regarding the installation and operation of products.

 **Electrostatic alert:**

ESD

ESD notices provide information about how to avoid discharge of static electricity and subsequent damage to products.

 **Caution:**

Caution notices provide information about how to avoid possible service disruption or damage to products.

 **Warning:**

Warning notices provide information about how to avoid personal injury when working with products.

 **Voltage:**

Danger — High Voltage notices provide information about how to avoid a situation or condition that can cause serious personal injury or death from high voltage or electric shock.

 **Danger:**

Danger notices provide information about how to avoid a situation or condition that can cause serious personal injury or death.

Safety messages

 **Warning:**

Installation must be performed by qualified service personnel only. Read and follow all warning notices and instructions marked on the product or included in the documentation.

 **Voltage:**

This equipment relies on the building's installation for overcurrent protection. Ensure that a fuse or circuit breaker no larger than 120 VAC, 15 A U.S. (240 VAC, 16 A International) is used on the phase conductors.

 **Caution:**

This device is a Class A product. In a domestic environment, this device can cause radio interference, in which case the user may be required to take appropriate measures.

 **Caution:**

When mounting this device in a rack, do not stack units directly on top of one another in the rack. Each unit must be secured to the rack with appropriate mounting brackets. Mounting brackets are not designed to support multiple units.

 **Voltage:**

Use only power cords that have a grounding path. Without a proper ground, a person who touches the switch is in danger of receiving an electrical shock. Lack of a grounding path to the switch can result in excessive emissions.

 **Warning:**

Disconnecting the power cord is the only way to turn off power to this device. Always connect the power cord in a location that can be reached quickly and safely in case of an emergency.

 **Warning:**

Fiber optic equipment can emit laser or infrared light that can injure your eyes. Never look into an optical fiber or connector port. Always assume that fiber optic cables are connected to a light source.



⚠ Caution:

Risk of high current and board burn out if battery is replaced by an incorrect type. Dispose of used batteries according to the instructions.

⚠ Warning:

The lithium battery is not field replaceable. It must only be removed and replaced by authorized personnel. Contact Technical Support for assistance if the battery requires replacement.

Before you begin

Ensure the area where you install and use the Extreme Networks Virtual Services Platform 4000 switch meets the following environmental requirements:

- Ambient temperature between 0° and 70° C
- Relative humidity between 0% and 95% noncondensing
- No nearby heat sources such as hot air vents or direct sunlight
- No nearby sources of severe electromagnetic noise
- No excessive dust
- Adequate power source within six feet; one 15-Amp circuit required for each power supply
- At least 2 inches (5.08 cm) on all sides of the switch unit for ventilation
- Adequate space at the front and rear of the switch for access to cables

If you are installing a single VSP 4000 switch on a table or shelf, ensure the surface can support at least 15 to 20 pounds (7 to 9 kilograms).

Installing the VSP 4450GTX-HT-PWR+

*** Note:**

Do not use the ERS to VSP conversion kit with this chassis. The kit is incompatible with the VSP 4450GTX-HT-PWR+.

Installing the Virtual Services Platform 4000 on a table or shelf

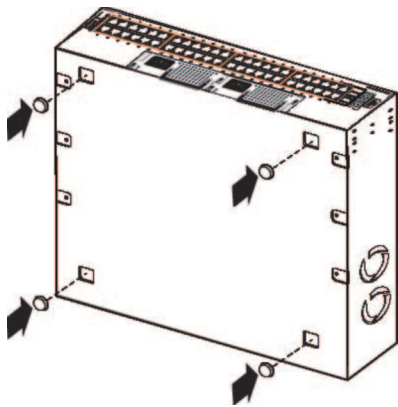
You can install a single VSP 4000 switch on any flat surface. The surface must support the combined weight of the switch and attached cables (from 15 and 20 pounds [7 to 9 kilograms]).

*** Note:**

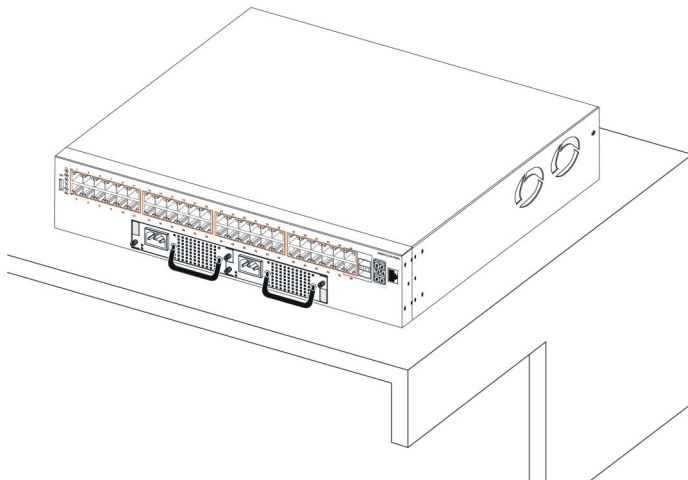
A factory-supplied 4450GTX-HT-PWR+ switch has a USB slot but no USB device or cover.

To install a VSP 4000 on a table or shelf, perform this procedure.

1. Attach the included rubber footpads on the bottom of the switch at the locations indicated.



2. Set the switch on a table or shelf as illustrated below. Allow at least 2 inches (5.1 centimeters) on each side for proper ventilation and at least 5 inches (12.7 centimeters) at the back for power cord clearance.



Installing the Virtual Services Platform 4000 in an equipment rack

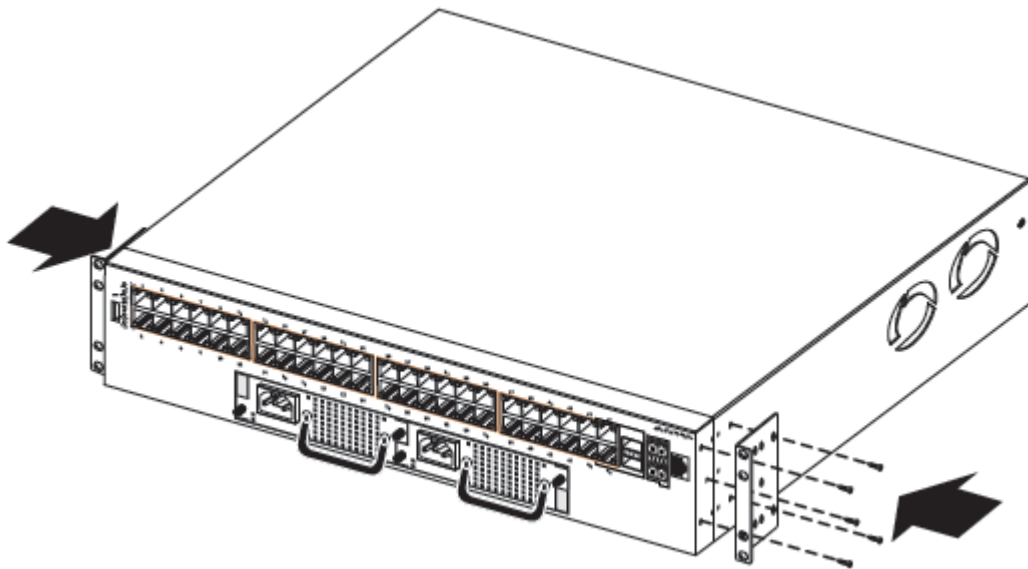
To install a VSP 4000 switch in an equipment rack, perform this procedure.

*** Note:**

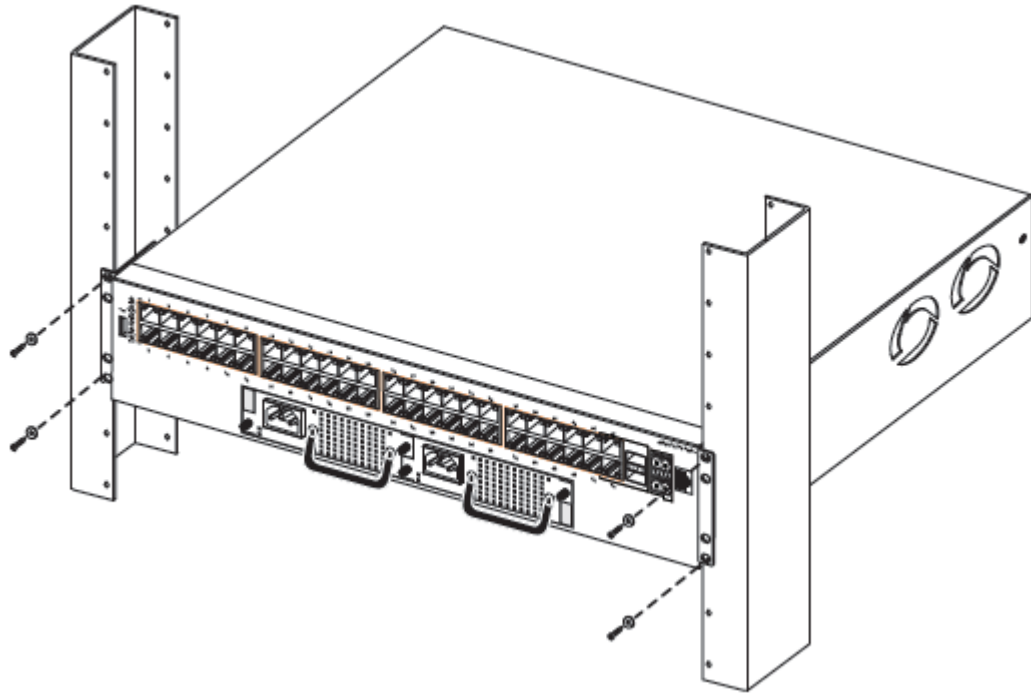
A factory-supplied 4450GTX-HT-PWR+ switch has a USB slot but no USB device or cover.

Prerequisites for installing the VSP 4000 switch in an equipment rack:

- Ensure that you have a space of 1.75 inches (4.45 centimeters) in height for each switch in an EIA or IEC-standard 19-inch (48.2-centimeter) equipment rack.
 - The rack is bolted to the floor and braced if necessary.
 - The rack is grounded to the same grounding electrode used by the power service in the area. The ground path must be permanent and must not exceed 1 Ohm of resistance from the rack to the grounding electrode.
1. Attach the L-bracket to each side of the switch using a #2 Phillips screwdriver as illustrated below.



2. Slide the switch into the rack as illustrated.



3. Insert and tighten the rack-mount screws.

Installing SFP transceivers

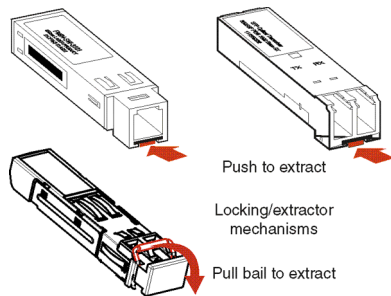
Install SFP transceivers by performing this procedure.

1. Remove the transceiver from the protective packaging.
2. Verify that the transceiver is the correct model for the network configuration.
3. Grasp the transceiver between your thumb and forefinger.
4. Insert the transceiver into the proper module on the switch. Apply a light pressure to the transceiver until it clicks and locks into position in the module.
5. Remove the dust cover from the transceiver optical bores.

Removing SFP transceivers

Remove SFP transceivers by performing this procedure.

1. Disconnect the network fiber cable from the transceiver.
2. Use the locking mechanism on the transceiver to release it. The locking mechanism varies from model to model as illustrated below.



3. Slide the transceiver from the module slot.
4. If the transceiver does not slide easily from the module slot, use a gentle side-to-side rocking motion while firmly pulling the transceiver from the slot.
5. Attach a dust cover over the fiber-optic bores and store the transceiver in a safe place until you need it.

! Important:

Discard transceivers in accordance with the proper laws and regulations.

Power specifications for VSP 4450GTX-HT-PWR+

The following table describes the regulatory AC power specifications for the VSP 4450GTX-HT-PWR+ switch. The regulatory power specifications are based on the maximum rated capacity of the power supplies and are not based on typical power consumption which is lower.

Table 1: AC power specifications

	4450GTX-HT-PWR+
Input Current:	16.66A/8.33A
Input Voltage (rms):	100 to 240VAC at 50 to 60 Hz
Power Consumption:	<ul style="list-style-type: none"> • Without PoE+ <ul style="list-style-type: none"> - Typical: 100W - Maximum: 145W • With PoE+ <ul style="list-style-type: none"> - Typical power utilization depends on the number of ports using PoE+. - Maximum power utilization depends on the number of PSUs deployed and the temperature range in which the switch operates. • With one operating PSU, the maximum power consumption is:

Table continues...

	4450GTX-HT-PWR+
	860W between 0°C to 50°C 400W between 50°C to 70°C <ul style="list-style-type: none"> • With two operating PSUs, the maximum power consumption is: 1660W between 0°C to 50°C 832W between 50°C to 70°C
Thermal Rating:	341.2 BTU/Hr typical and 494.8 BTU/Hr maximum
Inrush Current:	70A maximum
Turn on Condition:	1 second maximum after application of AC power
Efficiency:	70 percent minimum

Virtual Services Platform power supply power specification

The VSP 4450GTX-HT-PWR+ supports two external field replaceable power supplies. One power supply ships with the chassis. You can install a secondary power supply to provide redundancy, load sharing, and to add Power over Ethernet Plus (PoE+) power budget on PWR+ models.

1000W AC power supply

VSP 4450GTX-HT-PWR+ supports dual 54V 1000W Power over Ethernet Plus (PoE+) AC power supplies.

Important:

Ensure that you use only 1000W power supplies (both primary and secondary) on VSP 4450GTX-HT-PWR+ models.



Figure 1: 1000W AC power supply

Connector

The 1000W AC power supply uses an IEC 60320 C16 AC power cord connector. The AC power cord is in close proximity to the hot air exhaust, and supports high operating temperatures.



Figure 2: IEC 60320 C16 connector

Power over Ethernet Plus specifications

Table 2: VSP 4450GTX-HT-PWR+ model

	0°C to 50°C	50°C to 70°C
1 PSU	860W	400W
2 PSU	1660W	832W

Table 3: VSP 4450GTX-HT-PWR+ model with 1 PSU

	0°C to 50°C	50°C to 70°C
PoE support on	48 ports	23 ports
PoE+ support on	26 ports	13 ports

Table 4: VSP 4450GTX-HT-PWR+ model with 2 PSUs

	0°C to 50°C	50°C to 70°C
PoE support on	48 ports	48 ports
PoE+ support on	48 ports	26 ports

- VSP 4450GTX-HT-PWR+ can support 802.3af 17.8W or 32.4W on each port with one power supply installed. You can add a second power supply for redundancy.

Installing the VSP 4450GTX-HT-PWR+ power supply

You must install at least one power supply before using the switch. VSP 4000 PWR+ models support two field replaceable external power supplies. If supported, you can install an optional second power supply for redundancy, load sharing, or to provide additional PoE+ power budget.

Perform the following procedure to install an external power supply into your switch.

Note:

The VSP 4000 hardware can vary. This procedure only applies to hardware models with field replaceable power supplies.

1. If a blanking plate covers the required power supply slot, remove the blanking plate before attempting to insert the power supply.
2. Insert each power supply into a front power supply slot.
3. Verify that each power supply is fully seated in the slot. Secure the power supply with the two thumb screws.

Note:

The switch chassis can prevent an incorrect installation of a power supply. If you insert a power supply upside down, it will not fully insert and the thumb screws will not engage.

4. Once you install a power supply, you can proceed with connecting AC power.





Important:

You can hot swap power supplies while the switch is operational. One power supply is required for continued switch operation. PoE+ load reductions can occur if you remove one power supply while the switch is operating with dual power supplies.

Connecting to AC power

To connect AC power to the switch, you need an appropriate AC power cord as described in the following table, also see the following table for plug specifications.

Table 5: International power cord specifications

Country and Plug Specification	Specifications	Typical Plug
Continental Europe: <ul style="list-style-type: none"> • CEE7 standard VII male plug • Harmonized cord (HAR marking on the outside of the cord jacket to comply with the CENELEC Harmonized Document HD-21) 	<ul style="list-style-type: none"> • 220 or 230VAC • 50 Hz • Single phase 	 <small>2280A</small>
United States of America, Canada, and Japan: <ul style="list-style-type: none"> • NEMA5-15P male plug • UL-recognized (UL stamped on cord jacket) • CSA-certified (CSA label secured to the cord) 	<ul style="list-style-type: none"> • 100 or 120VAC • 50–60 Hz • Single phase 	 <small>2270A</small>
United Kingdom: <ul style="list-style-type: none"> • BS1363 male plug with fuse • Harmonized cord 	<ul style="list-style-type: none"> • 240VAC • 50 Hz • Single phase 	 <small>2290A</small>
Australia: <ul style="list-style-type: none"> • AS3112-1981 male plug 	<ul style="list-style-type: none"> • 240VAC • 50 Hz • Single phase 	 <small>2300A</small>

⚠ Danger:

Using power cords with a proper grounding path

Use only power cords that have a grounding path. Without a proper ground, a person who touches the switch is in danger of receiving an electrical shock. Lack of a grounding path to the switch can result in excessive emissions.