

ExtremeSwitching™

Installation Job Aid for VSP 4850GTS

Release 6.1.0.0
NN46251-308
Issue 02.01
November 2017

Notices

Notice paragraphs alert you about issues that require your attention. The following paragraphs describe the types of notices used in this guide.

 **Note:**

Notes provide tips and useful information regarding the installation and operation of products.

 **Electrostatic alert:**

ESD

ESD notices provide information about how to avoid discharge of static electricity and subsequent damage to products.

 **Caution:**

Caution notices provide information about how to avoid possible service disruption or damage to products.

 **Warning:**

Warning notices provide information about how to avoid personal injury when working with products.

 **Voltage:**

Danger — High Voltage notices provide information about how to avoid a situation or condition that can cause serious personal injury or death from high voltage or electric shock.

 **Danger:**

Danger notices provide information about how to avoid a situation or condition that can cause serious personal injury or death.

Safety messages

 **Warning:**

Installation must be performed by qualified service personnel only. Read and follow all warning notices and instructions marked on the product or included in the documentation.

 **Voltage:**

This equipment relies on the building's installation for overcurrent protection. Ensure that a fuse or circuit breaker no larger than 120 VAC, 15 A U.S. (240 VAC, 16 A International) is used on the phase conductors.

 **Caution:**

This device is a Class A product. In a domestic environment, this device can cause radio interference, in which case the user may be required to take appropriate measures.

 **Caution:**

When mounting this device in a rack, do not stack units directly on top of one another in the rack. Each unit must be secured to the rack with appropriate mounting brackets. Mounting brackets are not designed to support multiple units.

 **Voltage:**

Use only power cords that have a grounding path. Without a proper ground, a person who touches the switch is in danger of receiving an electrical shock. Lack of a grounding path to the switch can result in excessive emissions.

 **Warning:**

Disconnecting the power cord is the only way to turn off power to this device. Always connect the power cord in a location that can be reached quickly and safely in case of an emergency.

 **Warning:**

Fiber optic equipment can emit laser or infrared light that can injure your eyes. Never look into an optical fiber or connector port. Always assume that fiber optic cables are connected to a light source.



 **Caution:**

Risk of high current and board burn out if battery is replaced by an incorrect type. Dispose of used batteries according to the instructions.

 **Warning:**

The lithium battery is not field replaceable. It must only be removed and replaced by authorized personnel. Contact Technical Support for assistance if the battery requires replacement.

Before you begin

Ensure the area where you install and use the Extreme Networks Virtual Services Platform 4000 switch meets the following environmental requirements:

- Ambient temperature between 32° and 122° F (0° and 50° C)
- Relative humidity between 0% and 95% noncondensing
- No nearby heat sources such as hot air vents or direct sunlight
- No nearby sources of severe electromagnetic noise
- No excessive dust
- Adequate power source within six feet; one 15-Amp circuit required for each power supply
- At least 2 inches (5.08 cm) on all sides of the switch unit for ventilation
- Adequate space at the front and rear of the switch for access to cables

If you are installing a single VSP 4000 switch on a table or shelf, ensure the surface can support at least 15 to 20 pounds (7 to 9 kilograms).

Installing the Virtual Services Platform 4000 on a table or shelf

You can install a single VSP 4000 switch on any flat surface. The surface must support the combined weight of the switch and attached cables (from 15 and 20 pounds [7 to 9 kilograms]).

To install a VSP 4000 on a table or shelf, perform this procedure.

 **Caution:**

Do not place an Ethernet Power Supply Unit or Ethernet Redundant Power Supply on top of a VSP 4000. The switch housing of a VSP 4000 cannot support the weight of these units.

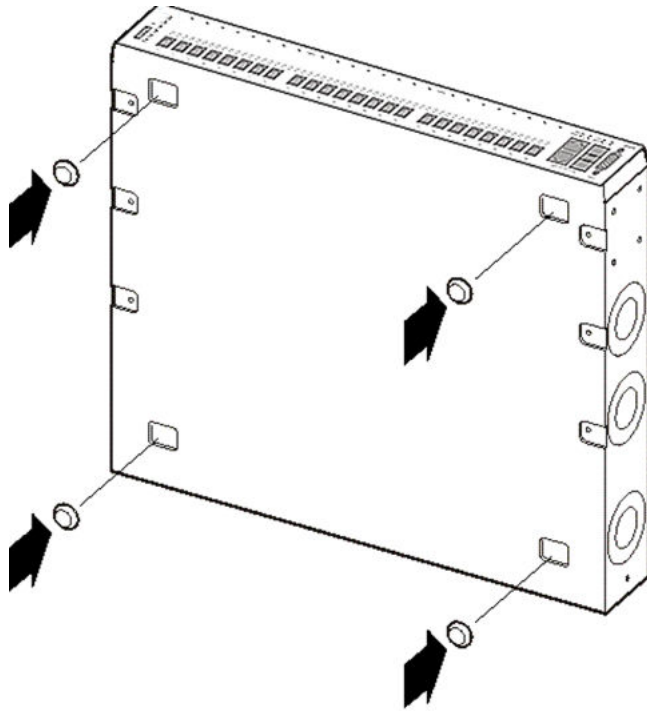
1. Remove the screws that hold the USB cover but do *not* remove the USB cover.

 **Caution:**

On a factory-supplied **4850GTS series** switch, do not remove the USB device cover or the USB device from the slot. Removing the USB device affects system operation

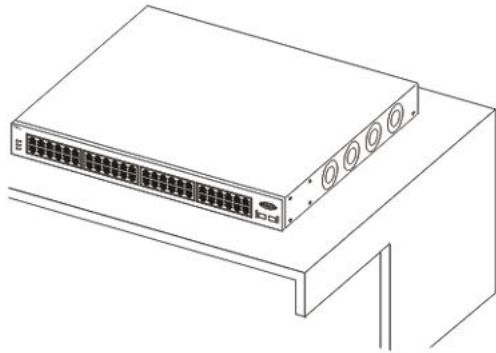
and may even prevent the system from booting up successfully. Ensure that the USB device is inserted in the system at all times with the USB cover on.

2. Attach the included rubber footpads on the bottom of the switch at the locations indicated.



10753FC

3. Set the switch on a table or shelf as illustrated below. Allow at least 2 inches (5.1 centimeters) on each side for proper ventilation and at least 5 inches (12.7 centimeters) at the back for power cord clearance.



10754FC

Installing the Virtual Services Platform 4000 in an equipment rack

To install a VSP 4000 switch in an equipment rack, perform this procedure.

Prerequisites for installing the Virtual Services Platform 4000 in an equipment rack:

- Ensure that you have a space of 1.75 inches (4.45 centimeters) in height for each switch in an EIA or IEC-standard 19-inch (48.2-centimeter) equipment rack.
- The rack is bolted to the floor and braced if necessary.
- The rack is grounded to the same grounding electrode used by the power service in the area. The ground path must be permanent and must not exceed 1 Ohm of resistance from the rack to the grounding electrode.

 **Caution:**

When you mount the device in a rack, do not stack units directly on top of one another. You must secure each unit to the rack with the appropriate mounting brackets. Mounting brackets cannot support multiple units.

1. Remove the screws that hold the USB cover but do *not* remove the USB cover.

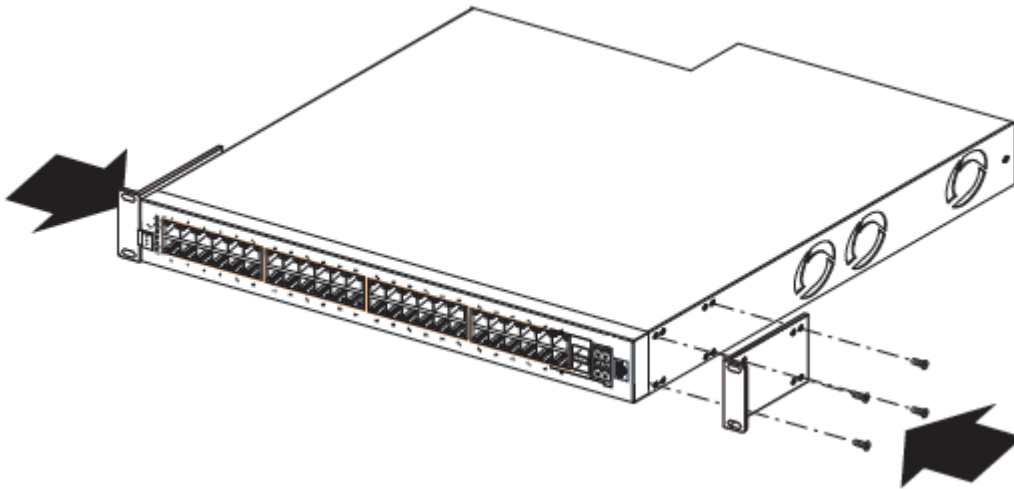
 **Caution:**

On a factory-supplied **4850GTS series** switch, do not remove the USB device cover or the USB device from the slot. Removing the USB device affects system operation and may even prevent the system from booting up successfully. Ensure that the USB device is inserted in the system at all times with the USB cover on.

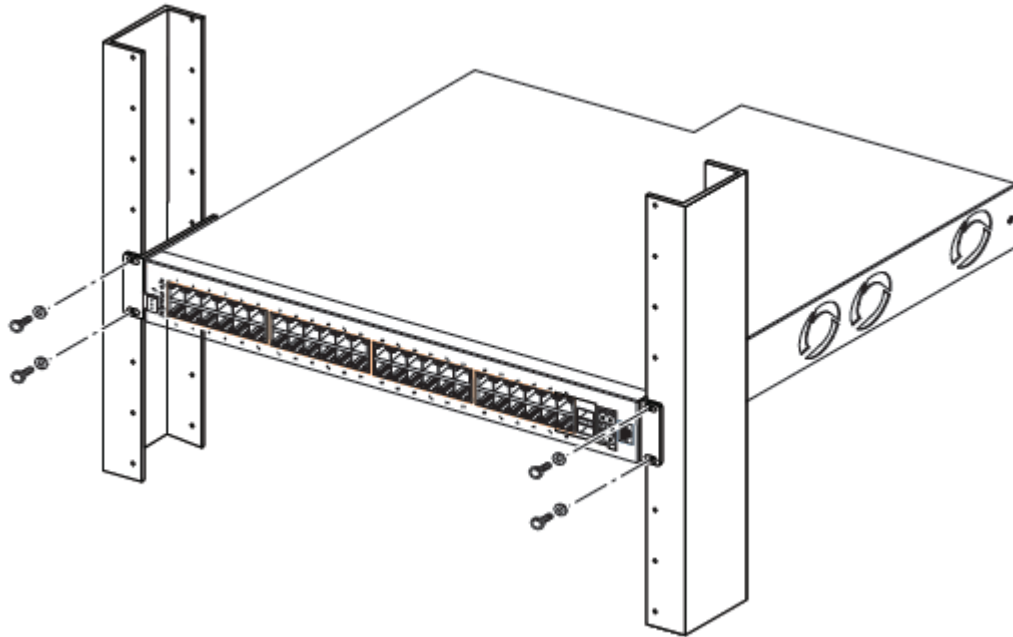
2. Attach the L-bracket to each side of the switch using a #2 Phillips screwdriver as illustrated below.

 **Important:**

On a factory-supplied 4850GTS series switch, ensure that the L-bracket goes over the USB cover.



3. Slide the switch into the rack as illustrated.



4. Insert and tighten the rack-mount screws.

Installing SFP transceivers

Install SFP transceivers by performing this procedure.

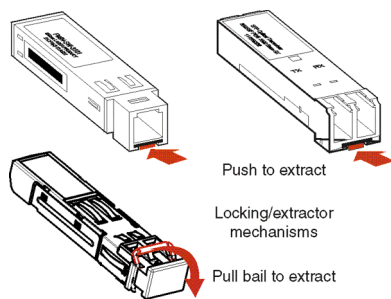
1. Remove the transceiver from the protective packaging.
2. Verify that the transceiver is the correct model for the network configuration.

3. Grasp the transceiver between your thumb and forefinger.
4. Insert the transceiver into the proper module on the switch. Apply a light pressure to the transceiver until it clicks and locks into position in the module.
5. Remove the dust cover from the transceiver optical bores.

Removing SFP transceivers

Remove SFP transceivers by performing this procedure.

1. Disconnect the network fiber cable from the transceiver.
2. Use the locking mechanism on the transceiver to release it. The locking mechanism varies from model to model as illustrated below.



3. Slide the transceiver from the module slot.
4. If the transceiver does not slide easily from the module slot, use a gentle side-to-side rocking motion while firmly pulling the transceiver from the slot.
5. Attach a dust cover over the fiber-optic bores and store the transceiver in a safe place until you need it.

! **Important:**

Discard transceivers in accordance with the proper laws and regulations.

AC power supply specifications

The following table describes the regulatory AC power specifications for the Virtual Services Platform 4000 Series 4850GTS and 4850GTS-PWR+ switches. The regulatory power specifications are based on the maximum rated capacity of the power supplies and are not based on typical power consumption which is lower.

Table 1: AC power specifications for 4850GTS series

Specifications	4850GTS	4850GTS-PWR+
Input Current	5A/2.5 A	12A/6A
Input Voltage (rms)	100 to 240 VAC at 50 to 60 Hz	100 to 240 VAC at 50 to 60 Hz
Power Consumption	94.6 W maximum	248 W maximum
Thermal Rating	323 BTU/hr maximum	508 BTU/hr maximum
Inrush Current	40 A maximum	70 A maximum
Turn on Condition	1 second maximum after application of AC power	1 second maximum after application of AC power
<p>! Important: 12-volt output rise time, from 10 to 90 percent, must be the maximum of 50 ms and monotonic under all defined input and output conditions.</p>		
Efficiency	70 percent minimum	70 percent minimum

VSP 4000 power supply power specification

The VSP 4000 supports two external field-replaceable power supplies. One power supply ships with the chassis. You can install a secondary power supply to provide redundancy and load sharing, and to add Power over Ethernet Plus (PoE+) power budget on PWR+ models.

300 W AC power supply

The VSP 4850GTS supports 300 W AC power supplies.



Figure 1: 300 W AC power supply

Connector

The 300 W and 1000 W AC power supplies use an IEC 60320 C16 AC power cord connector. The AC power cord is in close proximity to the hot-air exhaust, and supports high operating temperatures.

The 1000 W AC power supplies use an IEC 60320 C16 AC power cord connector. The AC power cord is in close proximity to the hot-air exhaust, and supports high operating temperatures.



Figure 2: IEC 60320 C16 connector

Power over Ethernet Plus specifications

Table 2: VSP 4850GTS and 4850GTS-PWR+ models

Maximum PoE+ W	Average PoE+ W on 50 port model
855 W with one power supply	15.4 W (802.3af)
1855 W with two power supplies	17.8 W (802.3.at) — One power supply 32.4 W (802.3at) — Two power supplies

- VSP 4850GTS-PWR+ can support 802.3af 15.4 W on each port with one power supply installed. You can add a second power supply for redundancy.
- VSP 4850GTS-PWR+ can support 802.3at 32.4 W on each port with two power supplies installed. PoE+ power reduces to an average of 17.8W on each port with one power supply.

Table 3: VSP 4450GSX-PWR+ model

Maximum PoE+ W	Average PoE+ W on 12 ports
835 W with one power supply	17.8 W or 32.4 W (802.3.at) — One power supply
1835 W with two power supplies	

Installing the Virtual Services Platform 4000 power supply

You must install at least one power supply before using the switch. VSP 4000 models support two field replaceable external power supplies. If supported, you can install an optional second power supply for redundancy, load sharing, or to provide additional PoE+ power budget.

Perform the following procedure to install an external power supply into your switch.

*** Note:**

VSP 4000 hardware can vary. This procedure only applies to hardware models with field replaceable power supplies.

1. If a blanking plate covers the required power supply slot, remove the blanking plate before attempting to insert the power supply.
2. Insert each power supply into a rear power supply slot.
3. Verify that each power supply is fully seated in the slot. Secure the power supply with the two thumb screws.

*** Note:**

The switch chassis can prevent an incorrect installation of a power supply. If you insert a power supply upside down, it will not fully insert and the thumb screws will not engage.

4. Once you install a power supply, you can proceed with connecting AC power.

! Important:

You can hot swap power supplies while the switch is operational. One power supply is required for continued switch operation. PoE+ load reductions can occur if you remove one power supply while the switch is operating with dual power supplies.

Connecting to AC power

To connect AC power to the switch, you need an appropriate AC power cord as described in the following table, also see the following table for plug specifications.

Table 4: International power cord specifications



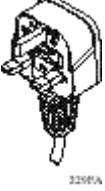

Country and Plug Specification	Specifications	Typical Plug
Continental Europe: <ul style="list-style-type: none">• CEE7 standard VII male plug• Harmonized cord (HAR marking on the outside of the cord jacket to comply with the CENELEC Harmonized Document HD-21)	<ul style="list-style-type: none">• 220 or 230VAC• 50 Hz• Single phase	 2282N
United States of America, Canada, and Japan: <ul style="list-style-type: none">• NEMA5-15P male plug• UL-recognized (UL stamped on cord jacket)• CSA-certified (CSA label secured to the cord)	<ul style="list-style-type: none">• 100 or 120VAC• 50–60 Hz• Single phase	 3271A

Table continues...

Country and Plug Specification	Specifications	Typical Plug
United Kingdom: <ul style="list-style-type: none"> • BS1363 male plug with fuse • Harmonized cord 	<ul style="list-style-type: none"> • 240VAC • 50 Hz • Single phase 	 <small>32097A</small>
Australia: <ul style="list-style-type: none"> • AS3112-1981 male plug 	<ul style="list-style-type: none"> • 240VAC • 50 Hz • Single phase 	 <small>35 007A</small>

⚠ Danger:

Using power cords with a proper grounding path

Use only power cords that have a grounding path. Without a proper ground, a person who touches the switch is in danger of receiving an electrical shock. Lack of a grounding path to the switch can result in excessive emissions.