



Installing the VSP 9010 locking lever

Release 4.0
NN46250-312 (700509676 Rev 01)
Issue 02.01
December 2014

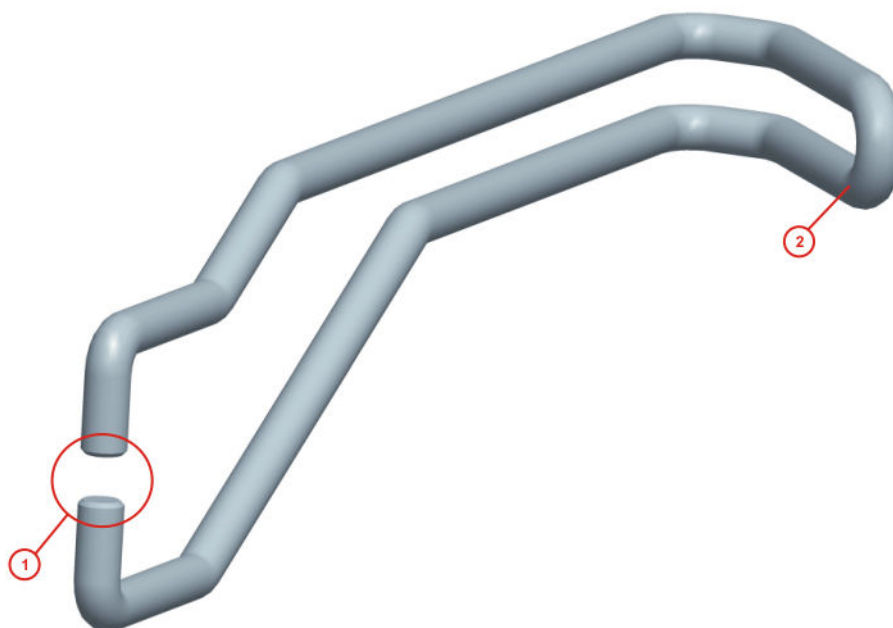
Use the VSP 9010 cable management locking levers to keep groups of cables fastened and out of the way, but accessible for maintenance.

Before you begin

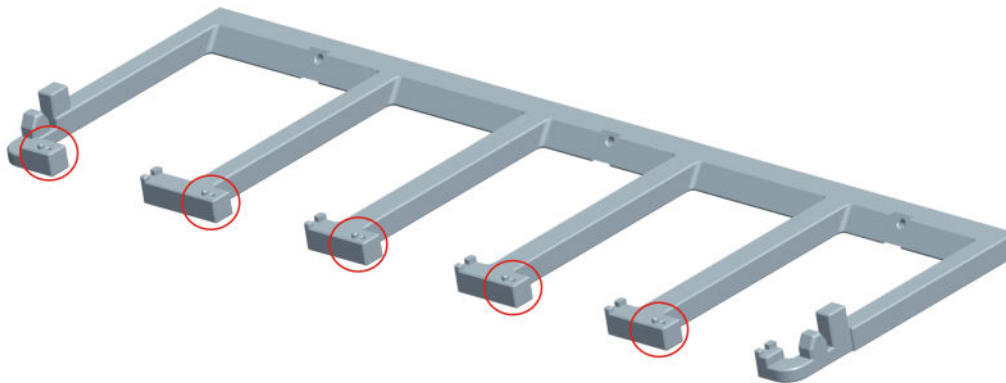
- Install the upper cable management bracket. For more information, see the poster that ships with your chassis.
- Ensure you have five cable management locking levers.

Procedure

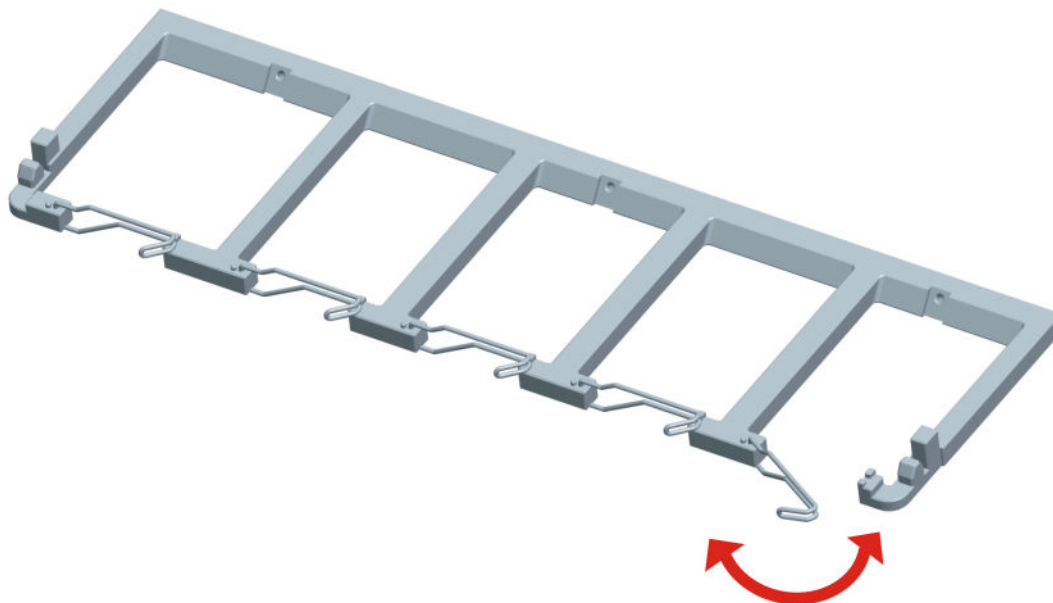
1. Place the locking lever to the front, with the dual-pronged end to the left (1) and the hooked end to the right (2).



2. With the hooked end facing out, insert the dual-pronged end of the locking lever into the locks on the left side of the upper cable management bracket.



3. Swing the locking lever to the right, and click the locking lever into the locked position.



4. Grasp the hooked end of the lever to engage or disengage the locking feature, and lift the hooked end of the lever over the locking pin.