

ExtremeWireless™ WiNG™ AP-7632i Installation Guide



Copyright © 2017 Extreme Networks, Inc. All rights reserved.

Legal Notice

Extreme Networks, Inc. reserves the right to make changes in specifications and other information contained in this document and its website without prior notice. The reader should in all cases consult representatives of Extreme Networks to determine whether any such changes have been made.

The hardware, firmware, software or any specifications described or referred to in this document are subject to change without notice.

Trademarks

Extreme Networks and the Extreme Networks logo are trademarks or registered trademarks of Extreme Networks, Inc. in the United States and/or other countries.

All other names (including any product names) mentioned in this document are the property of their respective owners and may be trademarks or registered trademarks of their respective companies/owners.

For additional information on Extreme Networks trademarks, please see:

www.extremenetworks.com/company/legal/trademarks

Software Licensing

Some software files have been licensed under certain open source or third-party licenses. End-user license agreements and open source declarations can be found at:

www.extremenetworks.com/support/policies/software-licensing

Support

For product support, phone the Global Technical Assistance Center (GTAC) at 1-800-998-2408 (toll-free in U.S. and Canada) or +1-408-579-2826. For the support phone number in other countries, visit: <http://www.extremenetworks.com/support/contact/>

For product documentation online, visit: <https://www.extremenetworks.com/documentation/>

Table of Contents

Preface	4
Text Conventions.....	4
Platform-Dependent Conventions.....	4
Providing Feedback to Us.....	5
Getting Help.....	5
Extreme Networks Documentation.....	6
Chapter 1: Overview	7
Features.....	7
LED Indicators.....	7
Chapter 2: Installation Process	10
Verifying the Box Contents.....	11
Mounting the AP on a Dry Wood Wall or Solid Flat Ceiling; Option 1: Using the Mounting Bracket.....	11
Mounting to a Junction/Gang Box.....	15
Mounting to a Suspended/Drop Ceiling.....	16
Mounting to a Beam.....	18
Connecting the Power Supply.....	20
Chapter 3: Specifications	21
Chapter 4: Regulatory Information	22
Safety Guidelines.....	22
FCC Declaration of Conformity Statement.....	22
FCC Radiation Exposure Statement.....	23
Industry Canada Notice.....	23
European Waste Electrical and Electronic Equipment (WEEE) Notice.....	25
Hazardous Substances.....	25
Declaration of Conformity in Languages of the European Community.....	25

Preface

Text Conventions

The following tables list text conventions that are used throughout this guide.

Table 1: Notice Icons






Icon	Notice Type	Alerts you to...
	General Notice	Helpful tips and notices for using the product.
	Note	Important features or instructions.
	Caution	Risk of personal injury, system damage, or loss of data.
	Warning	Risk of severe personal injury.
	New	This command or section is new for this release.

Table 2: Text Conventions

Convention	Description
Screen displays	This typeface indicates command syntax, or represents information as it appears on the screen.
The words enter and type	When you see the word “enter” in this guide, you must type something, and then press the Return or Enter key. Do not press the Return or Enter key when an instruction simply says “type.”
[Key] names	Key names are written with brackets, such as [Return] or [Esc] . If you must press two or more keys simultaneously, the key names are linked with a plus sign (+). Example: Press [Ctrl]+[Alt]+[Del]
<i>Words in italicized type</i>	Italics emphasize a point or denote new terms at the place where they are defined in the text. Italics are also used when referring to publication titles.

Platform-Dependent Conventions

Unless otherwise noted, all information applies to all platforms supported by ExtremeXOS® software, which are the following:

- ExtremeSwitching® switches
- Summit® switches
- SummitStack™

When a feature or feature implementation applies to specific platforms, the specific platform is noted in the heading for the section describing that implementation in the ExtremeXOS command documentation (see the Extreme Documentation page at <http://documentation.extremenetworks.com>). In many cases, although the command is available on all platforms, each platform uses specific keywords. These keywords specific to each platform are shown in the Syntax Description and discussed in the Usage Guidelines sections.

Providing Feedback to Us

We are always striving to improve our documentation and help you work better, so we want to hear from you! We welcome all feedback but especially want to know about:

- Content errors or confusing or conflicting information.
- Ideas for improvements to our documentation so you can find the information you need faster.
- Broken links or usability issues.

If you would like to provide feedback to the Extreme Networks Information Development team about this document, please contact us using our short [online feedback form](#). You can also email us directly at internalinfodev@extremenetworks.com.

Getting Help

If you require assistance, contact Extreme Networks using one of the following methods:

- **GTAC (Global Technical Assistance Center) for Immediate Support**
 - **Phone:** 1-800-998-2408 (toll-free in U.S. and Canada) or +1 408-579-2826. For the support phone number in your country, visit: www.extremenetworks.com/support/contact
 - **Email:** support@extremenetworks.com. To expedite your message, enter the product name or model number in the subject line.
- **GTAC Knowledge** — Get on-demand and tested resolutions from the GTAC Knowledgebase, or create a help case if you need more guidance.
- **The Hub** — A forum for Extreme customers to connect with one another, get questions answered, share ideas and feedback, and get problems solved. This community is monitored by Extreme Networks employees, but is not intended to replace specific guidance from GTAC.
- **Support Portal** — Manage cases, downloads, service contracts, product licensing, and training and certifications.

Before contacting Extreme Networks for technical support, have the following information ready:

- Your Extreme Networks service contract number and/or serial numbers for all involved Extreme Networks products
- A description of the failure
- A description of any action(s) already taken to resolve the problem
- A description of your network environment (such as layout, cable type, other relevant environmental information)
- Network load at the time of trouble (if known)
- The device history (for example, if you have returned the device before, or if this is a recurring problem)
- Any related RMA (Return Material Authorization) numbers

Extreme Networks Documentation

To find Extreme Networks product guides, visit our documentation pages at:

Current Product Documentation	www.extremenetworks.com/documentation/
Archived Documentation (for earlier versions and legacy products)	www.extremenetworks.com/support/documentation-archives/
Release Notes	www.extremenetworks.com/support/release-notes

Open Source Declarations

Some software files have been licensed under certain open source licenses. More information is available at: www.extremenetworks.com/support/policies/software-licensing.

1 Overview

Features LED Indicators

The AP-7632i is an 11ac Wave 2, Cloud and IoT ready indoor ceiling mount model with 5 internal antennas. This AP comes with an 802.3 PoE PD for powering and has an option for 12VDC input when mounted on a wall. The AP- 7632i features dual-band, dual radio, 2 x Multi-User MIMO, smoke-detector footprint, and can be mounted on a dry wall, junction or gang box, on a ceiling or a solid surface, suspended on a ceiling, and attached to a beam.

Features

The following are the features of AP-7632i:

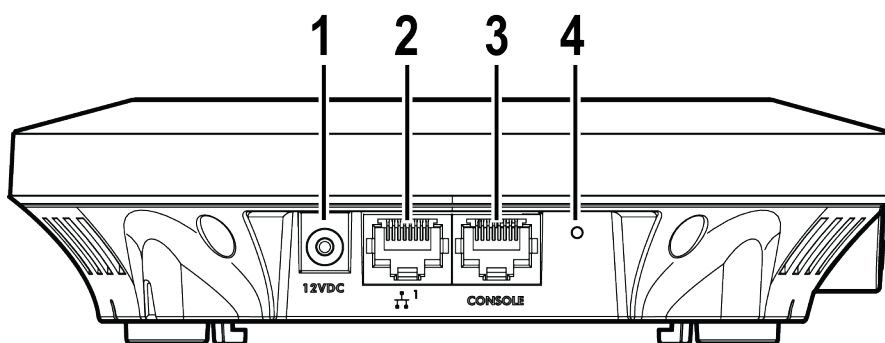


Figure 1: AP-7632i Side Ports

Table 3: AP-7632i Features

Item	Description
1 - 12VDC Power Supply	The AP can be powered using this option.
2 - LAN1/GE1 Port	This is the preferred method of powering the AP-7632i.
3 - Console Port	Console RJ45 Connector.
4 - Reset Button	Use a tool to access the reset button to reset the AP.

LED Indicators

AP-7632i Access Points have LED indicators on the front of the box. The LEDs provide the status of the access point indicating on, off, and network activity.

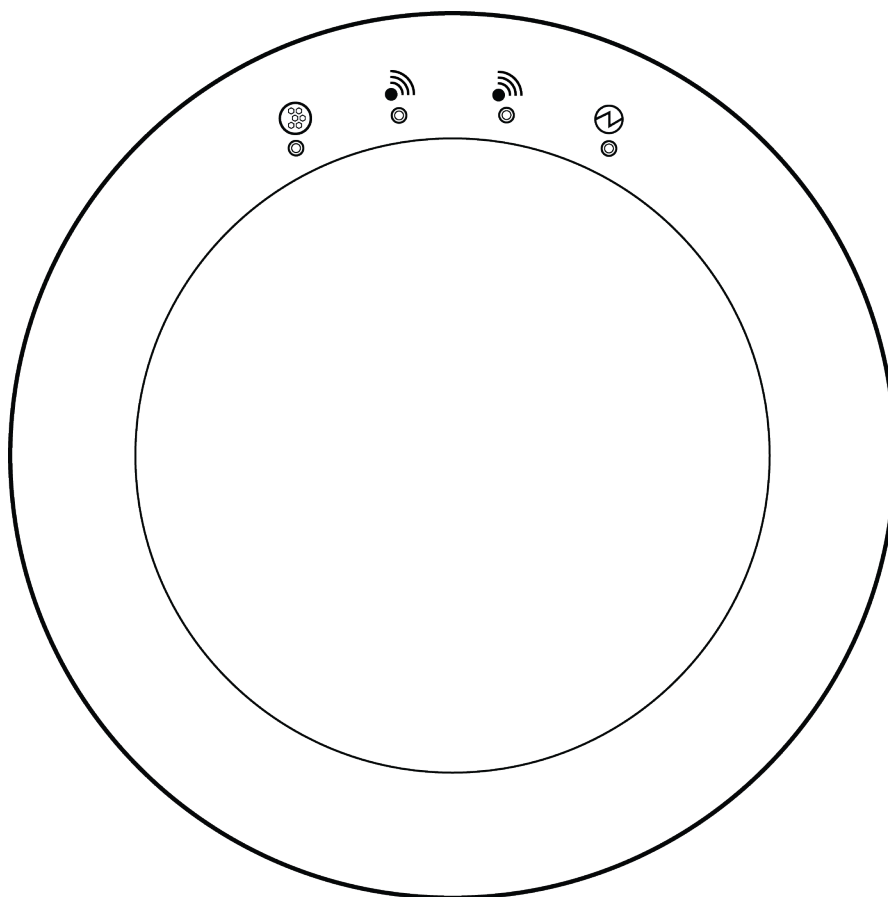


Figure 2: Top view of AP-7632i

Table 4: AP-7632i LEDs





Item	Status	Description
1 (IoT Radio) 	Blue	Indicates IoT application is running.
2 (5 GHz radio) 	Amber	Indicates radio is enabled.



Table 4: AP-7632i LEDs (continued)

Item	Status	Description
3 (2.4 GHz radio) 	Green	Indicates radio is enabled.
4 (Status LED) 	Green	The status is green during bootup. The LED is off during normal use.

Amber LEDs indicate 5 GHz Radio, Green LEDs indicate 2.4 GHz Radio, and Blue LED indicates the IoT Radio. The Status LED is ON only during bootup.

2 Installation Process

Verifying the Box Contents

Mounting the AP on a Dry Wood Wall or Solid Flat Ceiling; Option 1: Using the Mounting Bracket

Mounting to a Junction/Gang Box

Mounting to a Suspended/Drop Ceiling

Mounting to a Beam

Connecting the Power Supply

Follow this procedure to install the AP-7632i:

- 1 [Verify the box contents.](#)
- 2 [Review the Safety Guidelines.](#)
- 3 Mount the AP to a [Flat Ceiling](#). Alternatively, you can also mount the AP to a [junction/gang box](#), [suspended/drop ceiling](#), or a [beam](#).



Note

An optional Flat Metal Indoor Bracket can be purchased (ordering Part Number 37210) for easy installation to a flat ceiling/wall.



Note

The AP can also be mounted to a flat wall/ceiling using the WS-MBIWALL04 (ordering Part Number 30516) bracket.



Note

Mounting the AP to a suspended or drop ceiling requires the optional adapter (Universal Mounting Kit for EWLAN APs; purchasing part number KT-135628-01), which must be purchased separately.



Note

The optional WS-MBI-DCMTR01 (purchasing part #30518) adaptor can also be used for T-bar installations onto suspended/drop ceiling.



Note

To install the AP to a beam, attach a beam clip (Accessory BRKT-000147A-01) to the mounting bracket.

- 4 Connect the [Power Supply](#) to the AP7632 access point.

Verifying the Box Contents

Before you install the AP-7632i access point, make sure that you have all the necessary parts.

- 1 Verify that the box contains the following items:

Table 5: AP-7632i Box Contents

Quantity	Items
1	AP-7632i Quick Reference Guide
1	Mounting Bracket for 802.11ac Indoor AP assembled onto the AP
1	Cloud Quick Start Card
2	Phillips Pan-head wood screws
2	Screw-in anchors

- 2 Perform a visual inspection of the AP for any signs of physical damage. Contact Extreme Networks if there are any signs of damage.



Note

Before mounting the AP-7632i, read the [Safety Guidelines](#).

Mounting the AP on a Dry Wood Wall or Solid Flat Ceiling; Option 1: Using the Mounting Bracket

Mounting the AP-7632i to a dry/wood wall or a solid flat ceiling requires mounting bracket, two Philips pan-head screws, and screw-in anchors, which is included in the box.

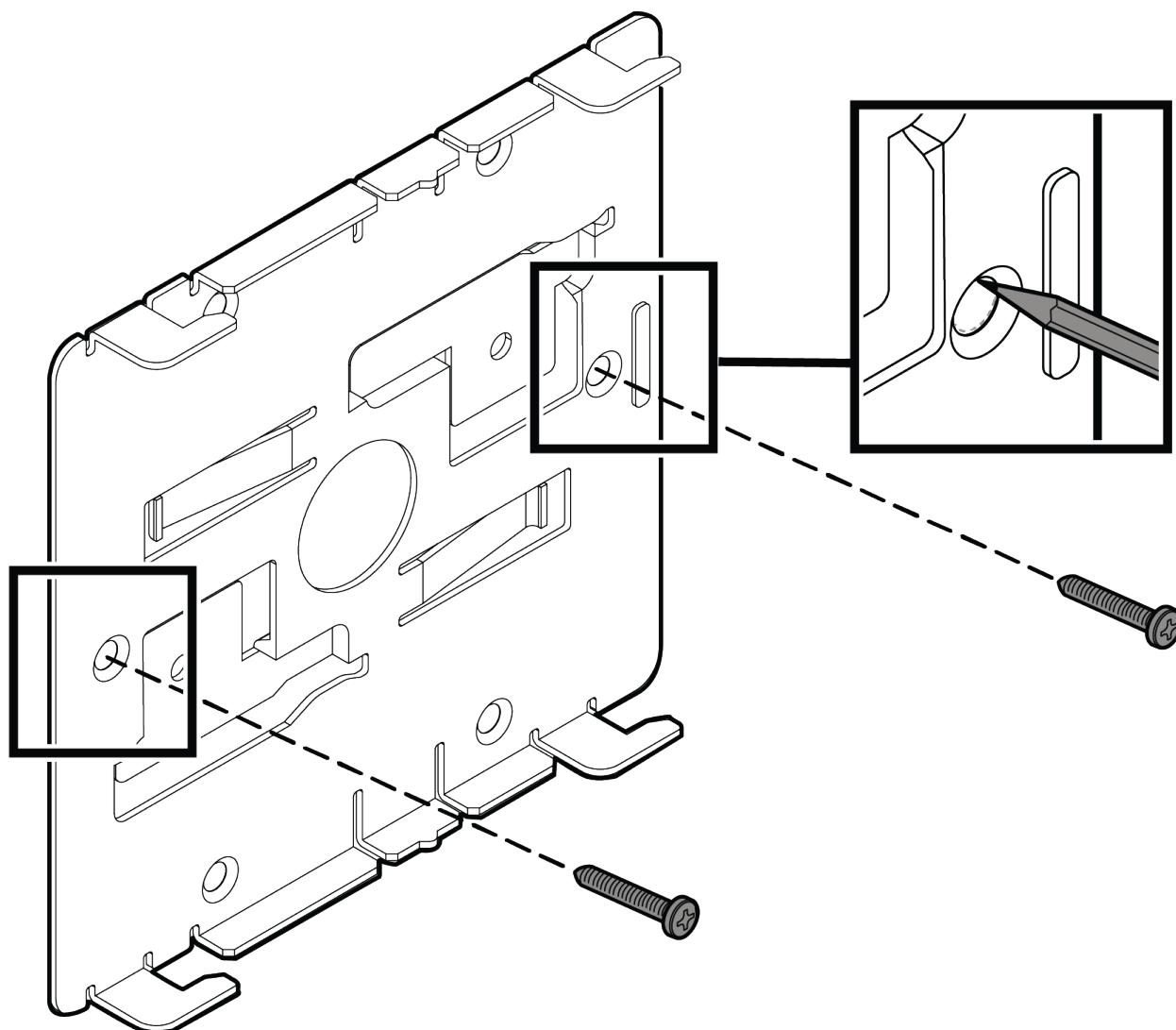


Warning

The AP must be mounted **ONLY** horizontally when mounting onto a plenum space.

- 1 Remove the mounting bracket attached to the back of the AP.

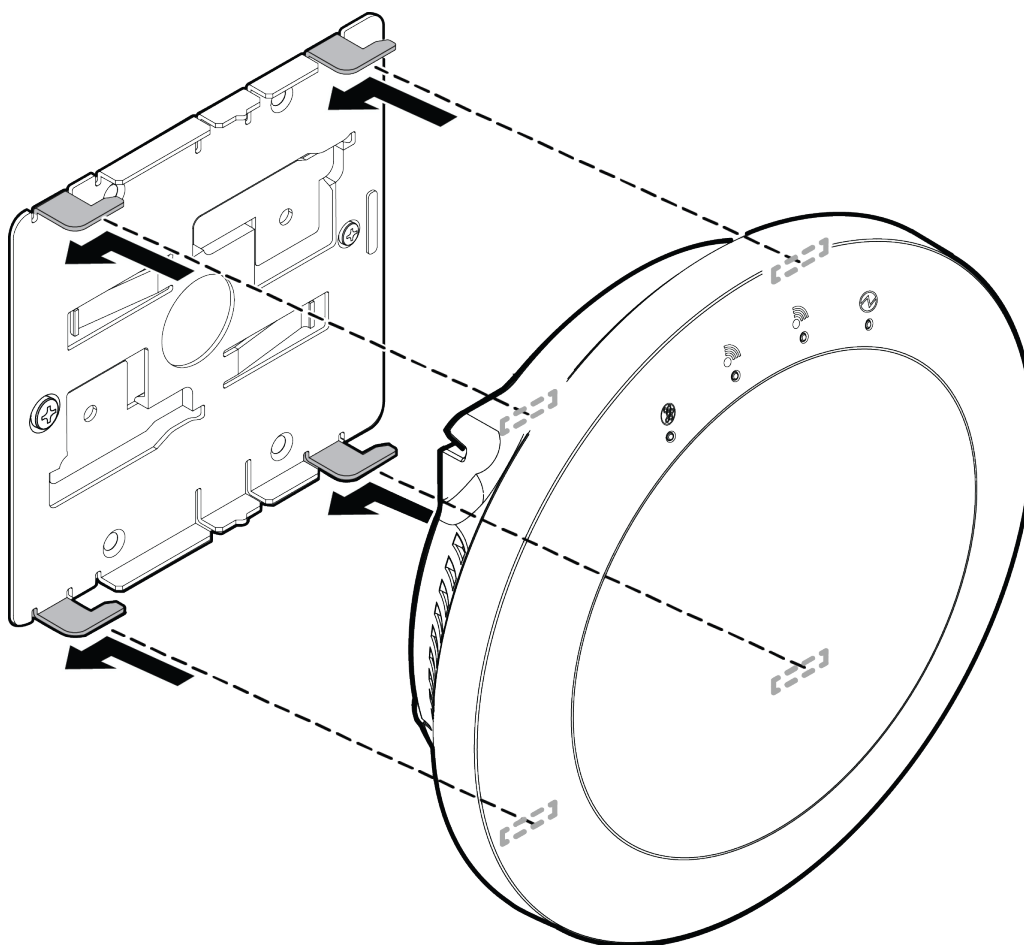
- 2 Using the mounting bracket as a template, mark the hole centers on the wall.

**Note**

The four feet of the mounting bracket must be horizontal and pointing to the right and the flat part of the bracket must be touching the surface it is being attached to.

- 3 Insert the screws into the holes of the mounting bracket. Use the screw-in anchors if needed.
- 4 Insert the Ethernet cable's RJ45 connector into the LAN1/GE1 port.

- 5 Insert the AP onto the bracket's four feet and slide it to the left to lock it in place.



Option 2: Mounting the AP to the Wall using two screws

The AP-7632i can be mounted directly onto the wall without the mounting bracket by using two screws.

- 1 Remove the mounting bracket attached to the back of the AP.
- 2 Drill two holes 104mm (4.100") apart from each other on the wall.
- 3 Insert the screws into the holes. Use the screw-in anchors if needed.

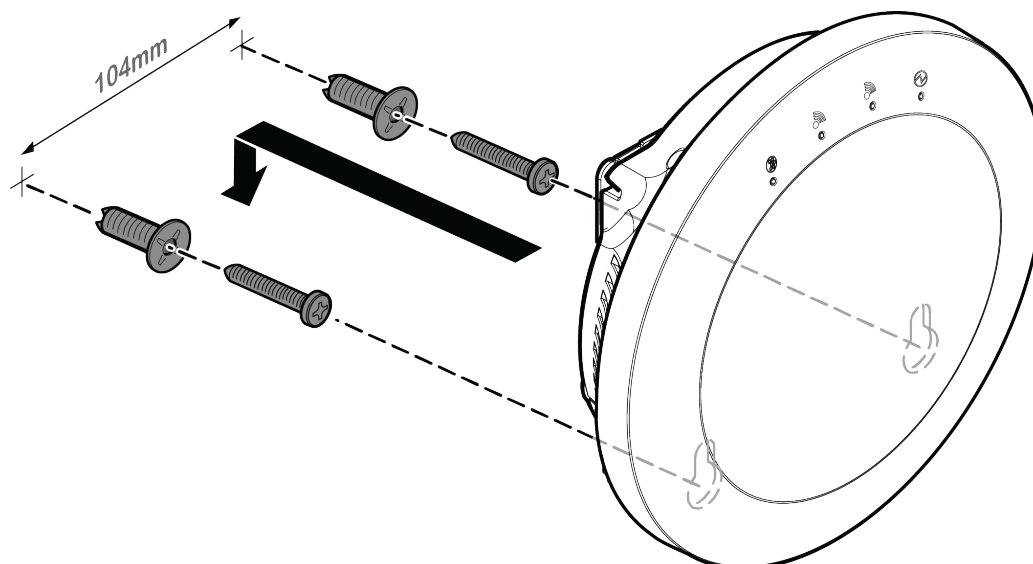


Note

Leave 1/8" gap between the screw head and the wall.

- 4 Insert the Ethernet cable's RJ45 connector into the GE1 port. Attach the optional DC adaptor if there is no PoE on the Ethernet cable.

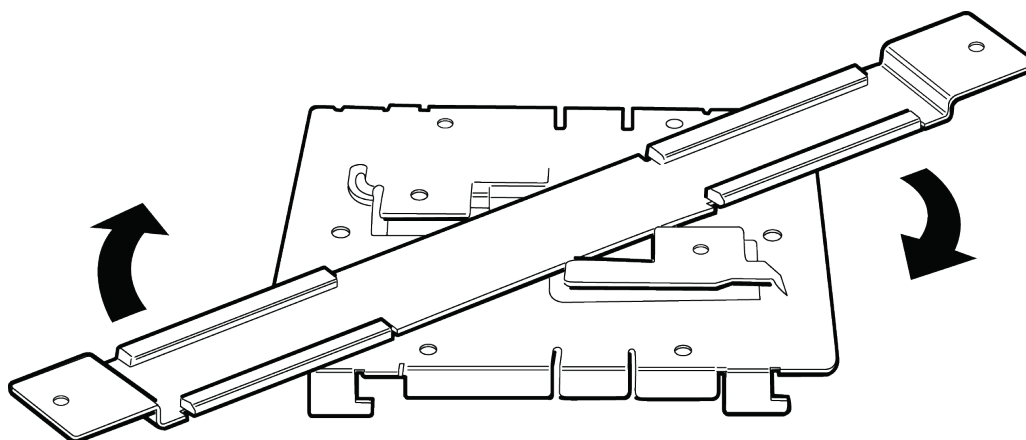
- 5 Insert the keyholes of the AP onto the screws and slide it down till it is firmly held by the screw heads. If the AP is loose, unmount the AP and decrease the distance between the screw head and the wall. Remount the AP.



Option 3: Using the Optional Flat Metal Indoor Bracket

The AP-7632i can be installed to the wall or any solid surface using an optional flat metal indoor bracket (ordering Part Number: 37210) for easy installation.

- 1 Attach the flat metal indoor bracket to the main mounting bracket.



- 2 Hold the AP to the surface to which it needs to be attached and use the optional bracket's end holes as a template to mark the attachment holes.
- 3 Drill two holes on the wall where you want to mount the AP.
- 4 Connect the LAN/Ethernet cable to the back of the AP.
- 5 Hold the AP, insert and tighten the 2 screws until you lock it into place.

Option 4: Using an Optional Wall and Box Bracket

The AP-7632i can also be mounted to a flat ceiling or wall using an optional wall and box bracket. This requires the WS-MBI-WALL04 bracket (ordering part Number 30516) which needs to be purchased separately.

- 1 Remove the mounting bracket from the back of the AP.
- 2 Install the WS-MBI-WALL04 bracket on a wall/ceiling with the two screws and screw-in anchors.
 - Use the WS-MBI-WALL04 as a template and mark the holes to be used to mount the AP. It is recommended to use the holes marked "A" or "B".
 - Drill the holes and attach the bracket using the screws and screw-in anchors.



Note

When using the "A" or "B" holes, if the holes are not near the corners of the bracket, you can break off the corner to decrease the bracket's visibility once the AP is installed.

- 3 Connect the LAN/Ethernet cable to the AP.
- 4 Insert the AP onto the keyhole posts and slide the AP.
- 5 Lock the AP into place at about 1/4 inch.

Mounting to a Junction/Gang Box

Mounting the AP-7632i to a junction/gang box requires a WS-MBI-WALL04 bracket, which must be purchased separately (ordering Part Number 30516).

- 1 Remove the screws from the junction/gang box.
- 2 Line up the bracket holes on the junction/gang box and ensure that they align. If the holes do not align, drill new holes.



Note

When you line up the holes, the locking tab on the bracket must be pointing down and the junction/gang box must be fully covered by the bracket. The bracket must be square to the rest of the room walls and the two holes that are being used must be on the opposite side of large center hole on the bracket.



Note

If the holes that you need to use are not near the corners of the bracket, break off the corner to decrease bracket's visibility once the AP is installed.

- 3 Using the holes aligned together or the new ones drilled, attach the bracket to the junction/gang box using the screws removed from the junction box earlier. Do not over tighten.



Caution

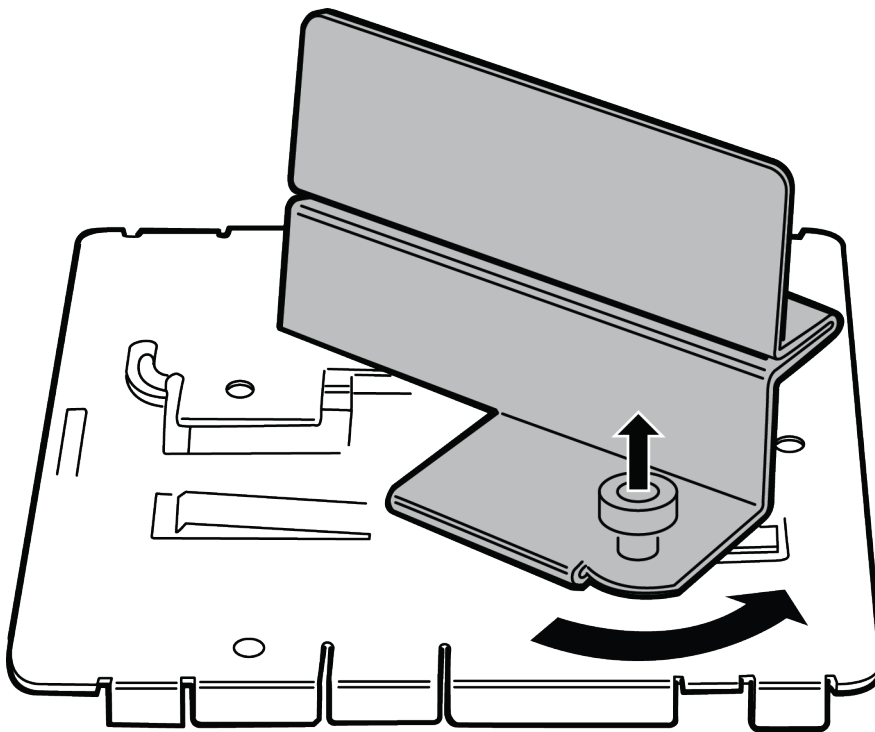
Over tightening the screws will cause the bracket to bend. If the bracket bends, you will not be able to align and slide the AP onto the keyhole posts.

- 4 Connect the LAN/Ethernet cable to the AP.
- 5 Align the keyhole slots and posts and slide the AP onto the bracket until you hear it lock in place.

Mounting to a Suspended/Drop Ceiling

The AP-7632i can be mounted to a suspended/drop ceiling by attaching an optional adapter to the mounting bracket. The optional adapter (Universal Mounting Kit for EWLAN APs; purchasing Part Number KT-135628-01) must be purchased separately.

- 1 Attach the T-bar adaptor by pushing down the mounting bracket's angled locking tabs and by pulling up the T-bar adapter's locking pin.



- 2 Slide the T-bar holder onto the T-bar and replace the tiles to hold the adaptor onto the T-bar.
- 3 Hold the AP and rock it back and forth to ensure that it is securely mounted.
- 4 Attach the Ethernet cable's RJ45 connector to the LAN1/GE1 port.

Optional Installation: Mounting to a Suspended/Drop Ceiling using a T-bar

The AP-7632i can be mounted to a suspended/drop ceiling using an optional WS-MBI-DCMTR01 multi t-bar adapter (ordering Part Number 30518).

- 1 Remove the mounting bracket from the back of the AP.
- 2 Remove the ceiling panels around the drop ceiling T-bar rail.

- 3 Open the movable sliding part of the T-bar to give the stationary and slider T-bar more space.

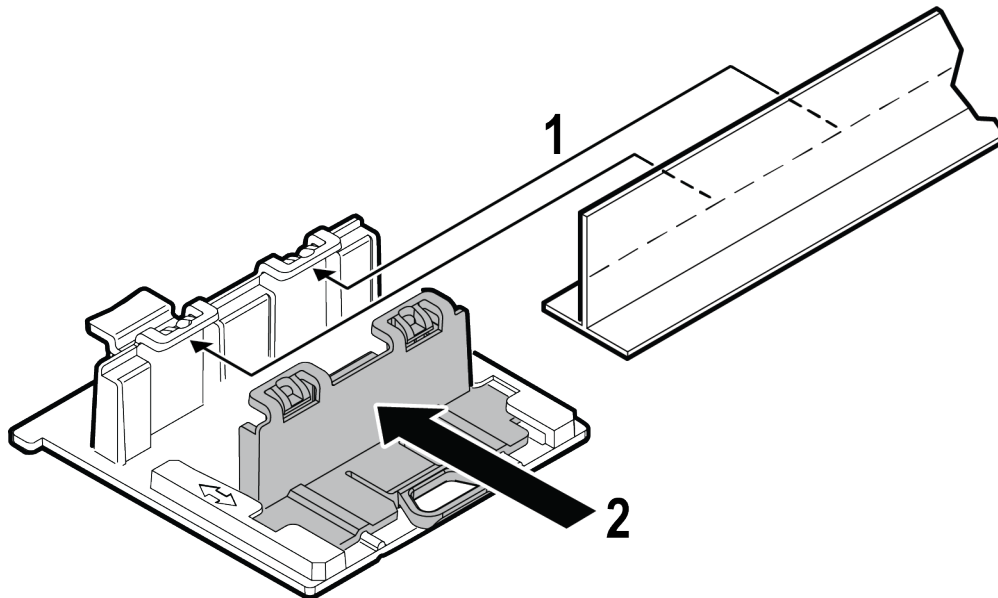
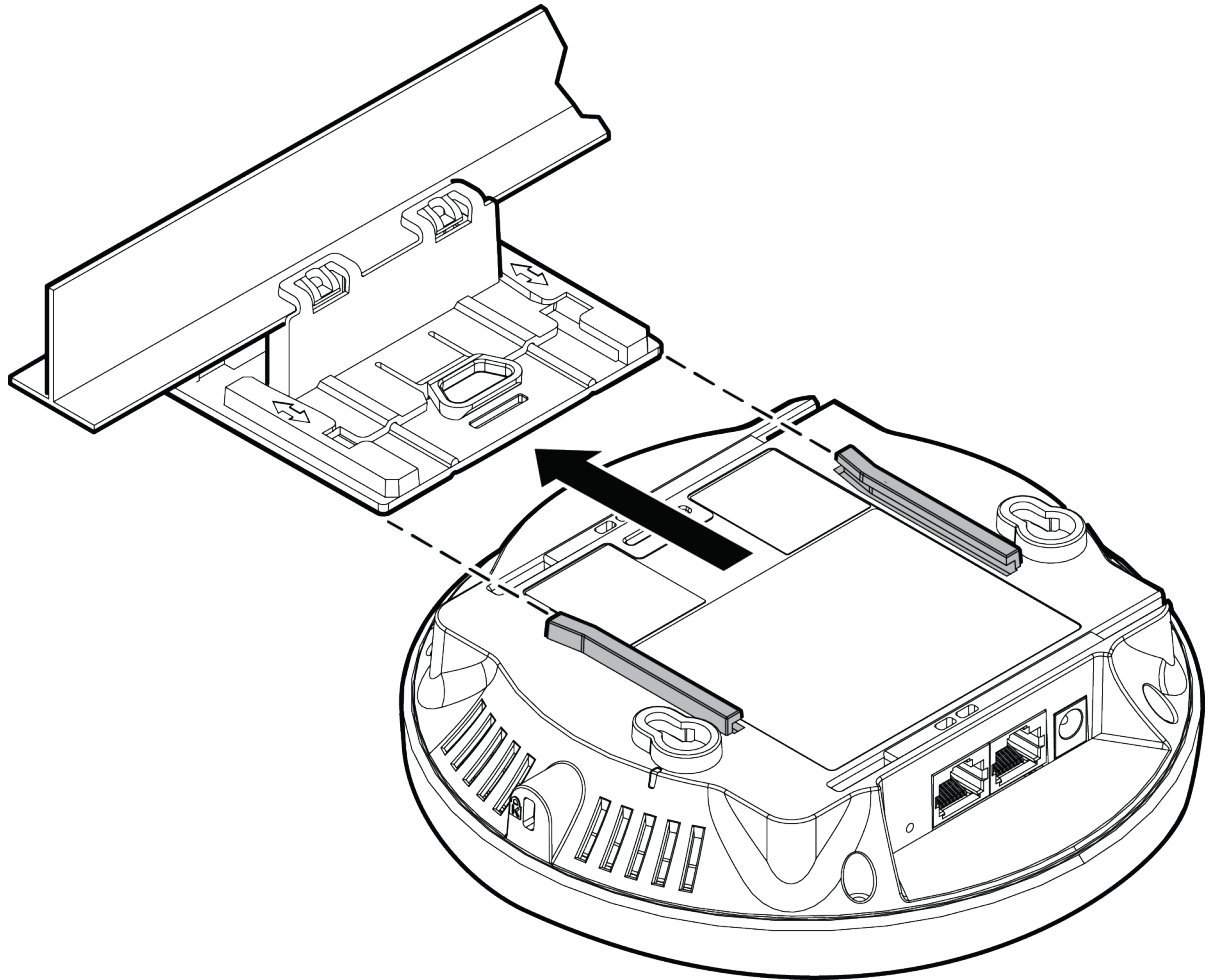


Figure 3: Installing the T-bar adaptor

- 4 Hook the stationary end of the T-bar bracket onto the T-bar.
- 5 Tilt the T-bar up slightly in such a way that you are holding the stationary and movable sides of the bracket. 4 Squeeze the bracket parts together until you hear the T-bar locking tab click into place.

- Slide the T-bar ceiling mount bracket base into the back of the access point. The locking tab fits into a groove in the outside of the AP.

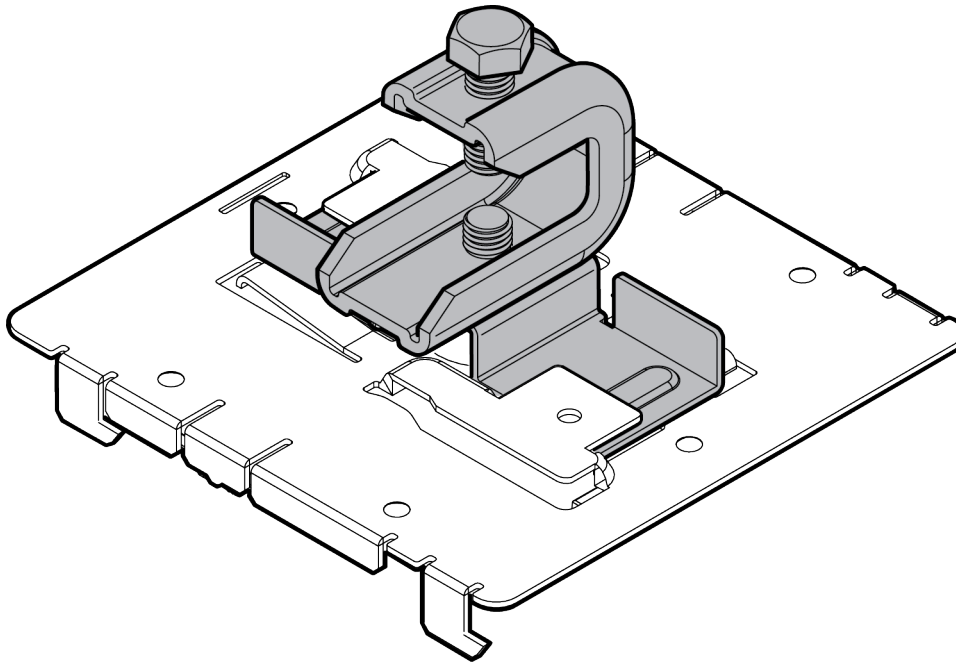


- Hold the AP and rock it back and forth to ensure that it is securely mounted.
- Attach the Ethernet cable's RJ45 connector to the LAN1/GE1 port and place the ceiling tile back in place.

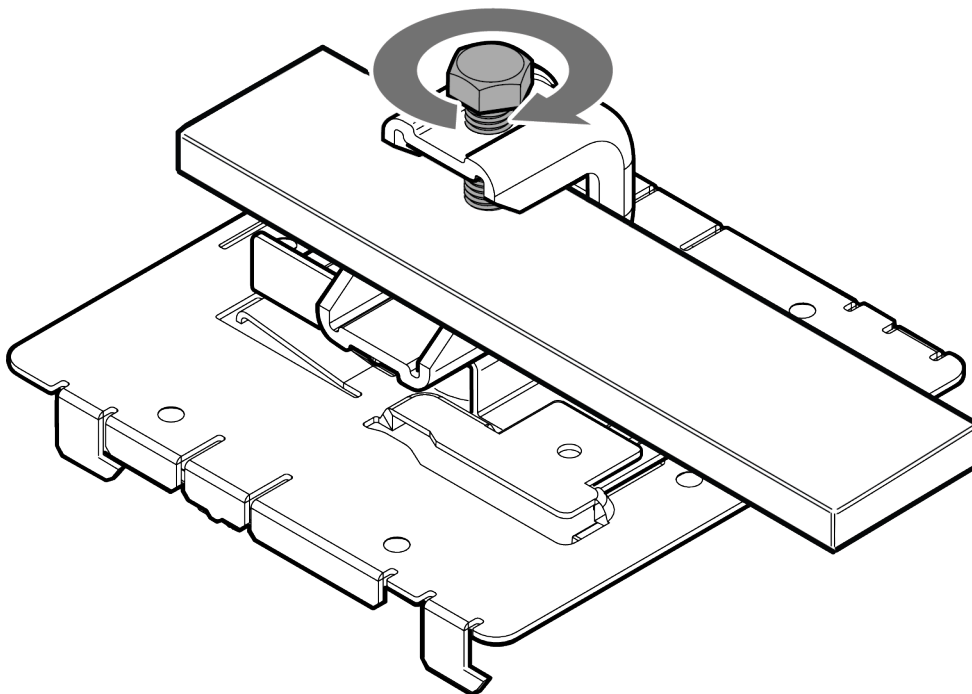
Mounting to a Beam

The AP-7632i can be installed to a beam by attaching the beam clip accessory (Accessory BRKT-000147A-01) to the mounting bracket.

- 1 Attach the adapter to the mounting bracket by using a twisting motion.



- 2 Attach the mounting bracket to the AP.
- 3 Place the adapter on a beam in such a way that there is enough space between the screw and clamp to be tightened.
- 4 Use the screw and clamp on the top of the adapter to secure the AP in place on the beam.



- 5 Insert the Ethernet plug into the AP.

Connecting the Power Supply

If you need to power the AP-7632i with an external 12V DC power supply, you can plug the power cord into the power connector on the back of the AP.

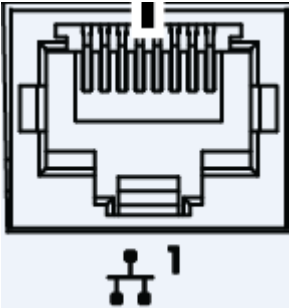

- 1 Power is provided through the RJ45 Ethernet port (LAN1 port) of AP-7632i. This is the preferred method of powering the AP on ceiling and high wall installations.
- 2 The AP-7632i can also be powered by an external DC power supply. It is plugged into an AC source.



Note

There is no wall mount option for the 12V DC power supply option.

Table 6: AP-7632i Power Supply Options

AP-7632i Port	Function
	LAN1/GE1 Port
	Optional 12V DC Power Supply

When the device is powered on, the power LED on the front face of the AP is lit.

3 Specifications

This section lists the specifications for the ExtremeWireless™ WiNG™ 802.11 a/ac+b/g/n Indoor AP-7632i Access Point.

Table 7: Specifications for the AP-7632i

Item	Specification
AP Part Number: 37111	AP-7632-680B30-US
AP Part Number: 37112	AP-7632-680B30-WR
Enclosure material	AP enclosure is plastic only. Base Material: Die-cast plastic with metal bracket.
Power source	Power is provided by Power-over-Ethernet. Optional 12VDC Power Supply.
Antenna	Five internal antennas (two 4dBi, 2.4GHz band locked antennas; two 6dBi, 5GHz band antennas, and one 4dBi BLE antenna).
Uplink interface	One 10/100/1000 Ethernet port with PoE.
Radio configuration	Radio 1: 2.4 GHz; 2x2:2; 4G Radio 2: 5 GHz; 2x2:2; 5G
Operating temperature	0°C to 40°C
Non-operating transportation/storage	-50°C to 70°C (-58°F to 158°F)
Altitude (feet)	6,000 feet
Relative humidity (% RH)	0% to 95% (non-condensing)
ExtremeCloud™ enabled	Yes

4 Regulatory Information

Safety Guidelines

FCC Declaration of Conformity Statement

FCC Radiation Exposure Statement

Industry Canada Notice

European Waste Electrical and Electronic Equipment (WEEE) Notice

Hazardous Substances

Declaration of Conformity in Languages of the European Community

Safety Guidelines

This section contains notices that are intended to protect your personal safety and prevent damage to the equipment.



Attention

Only qualified personnel should perform installation procedures. Within the context of the safety notes in this documentation, qualified persons are defined as persons who are authorized to commission, ground and label devices, systems, and circuits in accordance with established safety practices and standards. A qualified person understands the requirements and risks involved with installing outdoor electrical equipment in accordance with national codes.

FCC Declaration of Conformity Statement

This equipment has been tested and found to comply with the limits for a Class B digital device, pursuant to Part 15 of the FCC Rules. These limits are designed to provide reasonable protection against harmful interference in a residential installation. This equipment generates, uses and can radiate radio frequency energy and, if not installed and used in accordance with the instructions, may cause harmful interference to radio communications. However, there is no guarantee that interference will not occur in a particular installation. If this equipment does cause harmful interference to radio or television reception, which can be determined by turning the equipment off and on, the user is encouraged to try to correct the interference by one of the following measures:

- Reorient or relocate the receiving antenna.
- Increase the separation between the equipment and receiver.
- Connect the equipment into an outlet on a circuit different from that to which the receiver is connected.
- Consult the dealer or an experienced radio/TV technician for help.

FCC Caution:

Any changes or modifications not expressly approved by the party responsible for compliance could void the user's authority to operate this equipment.

This device complies with Part 15 of the FCC Rules. Operation is subject to the following two conditions:

- This device may not cause harmful interference
- This device must accept any interference received, including interference that may cause undesired operation.

This transmitter must not be co-located or operating in conjunction with any other antenna or transmitter.

FCC Radiation Exposure Statement



Warning

This equipment complies with FCC radiation exposure limits set forth for an uncontrolled environment. This equipment should be installed and operated with minimum distance 20cm between the radiator & your body.

Industry Canada Notice

This device complies with ISED's licence-exempt RSSs. Operation is subject to the following two conditions: (1) This device may not cause harmful interference, and (2) this device must accept any interference received, including interference that may cause undesired operation.

Le présent appareil est conforme aux CNR d'ISED applicables aux appareils radio exempts de licence. L'exploitation est autorisée aux deux conditions suivantes : (1) le dispositif ne doit pas produire de brouillage préjudiciable, et (2) ce dispositif doit accepter tout brouillage reçu, y compris un brouillage susceptible de provoquer un fonctionnement indésirable.

Caution



- 1 The device for operation in the band 5150-5250 MHz is only for indoor use to reduce the potential for harmful interference to co-channel mobile satellite systems.
- 2 The maximum antenna gain permitted for devices in the band 5725-5850 MHz shall be such that the equipment still complies with the e.i.r.p. limits specified for point-to-point and non-point-to-point operation as appropriate.
- 3 Users should also be advised that high-power radars are allocated as primary users (i.e. priority users) of the bands 5650-5850 MHz and that these radars could cause interference and/or damage to LE-LAN devices.

Caution**Avertissement:**

- 1 les dispositifs fonctionnant dans la bande 5150-5250 MHz sont réservés uniquement pour une utilisation à l'intérieur afin de réduire les risques de brouillage préjudiciable aux systèmes de satellites mobiles utilisant les mêmes canaux.
- 2 le gain maximal d'antenne permis (pour les dispositifs utilisant la bande de 5725 à 5 850 MHz) doit être conforme à la limite de la p.i.r.e. spécifiée pour l'exploitation point à point et l'exploitation non point à point, selon le cas.
- 3 De plus, les utilisateurs devraient aussi être avisés que les utilisateurs de radars de haute puissance sont désignés utilisateurs principaux (c.-à-d., qu'ils ont la priorité) pour les bandes 5650-5850 MHz et que ces radars pourraient causer du brouillage et/ou des dommages aux dispositifs LANEL.

Warning

IC Radiation Exposure Statement: This equipment complies with ISED radiation exposure limits set forth for an uncontrolled environment. This equipment should be installed and operated with minimum distance 22cm between the radiator & your body.

Warning

Déclaration d'exposition aux radiations: Cet équipement est conforme aux limites d'exposition aux rayonnements ISED établies pour un environnement non contrôlé. Cet équipement doit être installé et utilisé avec un minimum de 22 cm de distance entre la source de rayonnement et votre corps.

NCC Statement**低功率電波輻射性電機管理辦法**

第十二條 經型式認證合格之低功率射頻電機，非經許可，公司、商號或使用者均不得擅自變更頻率、加大功率或變更原設計之特性及功能。

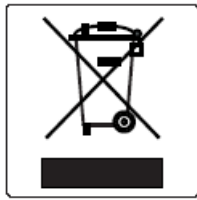
第十四條 低功率射頻電機之使用不得影響飛航安全及干擾合法通信；經發現有干擾現象時，應立即停用，並改善至無干擾時方得繼續使用。前項合法通信，指依電信法規定作業之無線電通信。

低功率射頻電機須忍受合法通信或工業、科學及醫療用電波輻射性電機設備之干擾。

電磁波曝露量MPE標準值 $1\text{mW}/\text{cm}^2$ ，送測產品實測值為 $0.963\text{mW}/\text{cm}^2$

1. 使用此產品時應避免影響附近雷達系統之操作。

European Waste Electrical and Electronic Equipment (WEEE) Notice



In accordance with Directive 2012/19/EU of the European Parliament on waste electrical and electronic equipment (WEEE):

- 1 The symbol above indicates that separate collection of electrical and electronic equipment is required.
- 2 When this product has reached the end of its serviceable life, it cannot be disposed of as unsorted municipal waste. It must be collected and treated separately.
- 3 It has been determined by the European Parliament that there are potential negative effects on the environment and human health as a result of the presence of hazardous substances in electrical and electronic equipment.
- 4 It is the users' responsibility to utilize the available collection system to ensure WEEE is properly treated.

For information about the available collection system, please contact Extreme Customer Support at 353 61 705500 (Ireland).

Hazardous Substances

This product complies with the requirements of Directive 2011/65/EU of the European Parliament and of the Council of 8 June 2011 on the restriction of the use of certain hazardous substances in electrical and electronic equipment.

Declaration of Conformity in Languages of the European Community

The full text of the EU declaration of conformity is available at the following Internet address: <http://www.extremenetworks.com/>



Note

Changes or modifications made to this device which are not expressly approved by the party responsible for compliance could void the user's authority to operate the equipment.

English	Hereby, Extreme Networks, Inc. declares that the radio equipment type Wireless LAN Access Point is in compliance with Directive 1999/5/EC.
Finnish	Valmistaja Extreme Networks vakuuttaa täten että Radio LAN device tyyppinen laite on direktiivin 1999/5/EY oleellisten vaatimusten ja sitä koskevien direktiivin muiden ehtojen mukainen.
Dutch	Hierbij verklaart Extreme Networks dat het toestel Radio LAN device in overeenstemming is met de essentiële eisen en de andere relevante bepalingen van richtlijn 1999/5/EG. Bij deze verklaart

	Extreme Networks dat deze Radio LAN device voldoet aan de essentiële eisen en aan de overige relevante bepalingen van Richtlijn 1999/5/EC.
French	Par la présente Extreme Networks déclare que l'appareil Radio LAN device est conforme aux exigences essentielles et aux autres dispositions pertinentes de la directive 1999/5/ CE. Par la présente, Extreme Networks déclare que ce Radio LAN device est conforme aux exigences essentielles et aux autres dispositions de la directive 1999/5/CE qui lui sont applicables.
Swedish	Härmed intygar Extreme Networks att denna Radio LAN device står i överensstämmelse med de väsentliga egenskapskrav och övriga relevanta bestämmelser som framgår av direktiv 1999/5/EG.
Danish	Undertegnede Extreme Networks erklærer herved, at følgende udstyr Radio LAN device overholder de væsentlige krav og øvrige relevante krav i direktiv 1999/5/EF.
German	Hiermit erklährt Extreme Networks die Übereinstimmung des "WLAN Wireless Controller bzw. Access Points" mit den grundlegenden Anforderungen und den anderen relevanten Festlegungen der Richtlinie 1999/5/EG.
Greek	ΜΕ ΤΗΝ ΠΑΡΟΥΣΑ Extreme Networks ΔΗΛΩΝΕΙ ΟΤΙ Radio LAN device ΣΥΜΜΟΡΦΩΝΕΤΑΙ ΠΡΟΣ ΤΙΣ ΟΥΣΙΩΔΕΙΣ ΑΠΑΙΤΗΣΕΙΣ ΚΑΙ ΤΙΣ ΛΟΙΠΕΣ ΣΧΕΤΙΚΕΣ ΔΙΑΤΑΞΕΙΣ ΤΗΣ ΟΔΗΓΙΑΣ 1999/5/EK.
Icelandic	Extreme Networks lýsir her með yfir að thessi bunadur, Radio LAN device, uppfyllir allar grunnkröfur, sem gerðar eru í R&TTE tilskipun ESB nr 1999/5/EC.
Italian	Con la presente Extreme Networks dichiara che questo Radio LAN device è conforme ai requisiti essenziali ed alle altre disposizioni pertinenti stabilite dalla direttiva 1999/5/CE.
Spanish	Por medio de la presente Extreme Networks declara que el Radio LAN device cumple con los requisitos esenciales y cualesquiera otras disposiciones aplicables o exigibles de la Directiva 1999/5/CE.
Portuguese	Extreme Networks declara que este Radio LAN device está conforme com os requisitos essenciais e outras disposições da Directiva 1999/5/CE.
Malti	Hawnhekk, Extreme Networks, jiddikjara li dan Radio LAN device jikkonforma mal-htigijiet essenzjali u ma provvedimenti oħrajn rilevanti li hemm fid-Direttiva 1999/5/EC.

New Member States Requirements of Declaration of Conformity

Estonian	Käesolevaga kinnitab Extreme Networks seadme Radio LAN device vastavust direktiivi 1999/5/EÜ põhinõuetele ja nimetatud direktiivist tulenevatele teistele asjakohastele sätetele.
Hungarian	Alulírott, Extreme Networks nyilatkozom, hogy a Radio LAN device megfelel a vonatkozó alapvető követelményeknek és az 1999/5/EC irányelv egyéb előírásainak.
Slovak	Extreme Networks týmto vyhlasuje, že Radio LAN device spĺňa základné požiadavky a všetky príslušné ustanovenia Smernice 1999/5/ES.
Czech	Extreme Networks tímto prohlašuje, že tento Radio LAN device je ve shodě se základními požadavky a dalšími příslušnými ustanoveními směrnice 1999/5/ES."
Slovenian	Šiuo Extreme Networks deklaruoja, kad šis Radio LAN device atitinka esminius reikalavimus ir kitas 1999/5/EB Direktyvos nuostatas.
Latvian	Ar šo Extreme Networks deklarē, ka Radio LAN device atbilst Direktīvas 1999/5/EK būtiskajām prasībām un citiem ar to saistītajiem noteikumiem
Lithuanian	Extreme Networks deklaruoja, kad Radio LAN device atitinka 1999/5/EC Direktyvos esminius reikalavimus ir kitas nuostatas".
Polish	Niniejszym, Extreme Networks, deklaruje, że Radio LAN device spełnia wymagania zasadnicze oraz stosowne postanowienia zawarte Dyrektywie 1999/5/EC.