

# ExtremeWireless™ WiNG™ AP7632 Installation Guide



Copyright © 2017 Extreme Networks, Inc. All rights reserved.

## Legal Notice

Extreme Networks, Inc. reserves the right to make changes in specifications and other information contained in this document and its website without prior notice. The reader should in all cases consult representatives of Extreme Networks to determine whether any such changes have been made.

The hardware, firmware, software or any specifications described or referred to in this document are subject to change without notice.

## Trademarks

Extreme Networks and the Extreme Networks logo are trademarks or registered trademarks of Extreme Networks, Inc. in the United States and/or other countries.

All other names (including any product names) mentioned in this document are the property of their respective owners and may be trademarks or registered trademarks of their respective companies/owners.

For additional information on Extreme Networks trademarks, please see:

[www.extremenetworks.com/company/legal/trademarks](http://www.extremenetworks.com/company/legal/trademarks)

## Software Licensing

Some software files have been licensed under certain open source or third-party licenses. End-user license agreements and open source declarations can be found at:

[www.extremenetworks.com/support/policies/software-licensing](http://www.extremenetworks.com/support/policies/software-licensing)

## Support

For product support, phone the Global Technical Assistance Center (GTAC) at 1-800-998-2408 (toll-free in U.S. and Canada) or +1-408-579-2826. For the support phone number in other countries, visit: <http://www.extremenetworks.com/support/contact/>

For product documentation online, visit: <https://www.extremenetworks.com/documentation/>

# Table of Contents

---

<b>Preface.....</b>	<b>4</b>
Text Conventions.....	4
Platform-Dependent Conventions.....	4
Providing Feedback to Us.....	5
Getting Help.....	5
Extreme Networks Documentation.....	6
<b>Chapter 1: Overview.....</b>	<b>7</b>
Features.....	7
LED Indicators.....	7
<b>Chapter 2: Installation Process.....</b>	<b>10</b>
Verifying the Box Contents.....	10
Mounting the AP on a Dry Wood Wall or Solid Flat Ceiling; Option 1: Using the Mounting Bracket.....	11
Mounting to a Junction/Gang Box.....	14
Mounting to a Suspended/Drop Ceiling.....	15
Connecting the Power Supply.....	17
<b>Chapter 3: Operational Description of Antenna Configuration and RF Output Power Setting.....</b>	<b>19</b>
<b>Chapter 4: Specifications.....</b>	<b>20</b>
<b>Chapter 5: Regulatory Information.....</b>	<b>21</b>
Safety Guidelines.....	21
FCC Declaration of Conformity Statement.....	21
Industry Canada Notice.....	22
European Waste Electrical and Electronic Equipment (WEEE) Notice.....	24
Hazardous Substances.....	25
Detachable Antenna Usage.....	25
Declaration of Conformity in Languages of the European Community.....	26

# Preface






---

## Text Conventions

---

The following tables list text conventions that are used throughout this guide.

**Table 1: Notice Icons**

Icon	Notice Type	Alerts you to...
	General Notice	Helpful tips and notices for using the product.
	Note	Important features or instructions.
	Caution	Risk of personal injury, system damage, or loss of data.
	Warning	Risk of severe personal injury.
	New	This command or section is new for this release.

**Table 2: Text Conventions**

Convention	Description
Screen displays	This typeface indicates command syntax, or represents information as it appears on the screen.
The words <b>enter</b> and <b>type</b>	When you see the word “enter” in this guide, you must type something, and then press the Return or Enter key. Do not press the Return or Enter key when an instruction simply says “type.”
<b>[Key]</b> names	Key names are written with brackets, such as <b>[Return]</b> or <b>[Esc]</b> . If you must press two or more keys simultaneously, the key names are linked with a plus sign (+). Example: Press <b>[Ctrl]+[Alt]+[Del]</b>
<i>Words in italicized type</i>	Italics emphasize a point or denote new terms at the place where they are defined in the text. Italics are also used when referring to publication titles.

## Platform-Dependent Conventions

---

Unless otherwise noted, all information applies to all platforms supported by ExtremeXOS® software, which are the following:

- ExtremeSwitching® switches
- Summit® switches
- SummitStack™

When a feature or feature implementation applies to specific platforms, the specific platform is noted in the heading for the section describing that implementation in the ExtremeXOS command documentation (see the Extreme Documentation page at <http://documentation.extremenetworks.com>). In many cases, although the command is available on all platforms, each platform uses specific keywords. These keywords specific to each platform are shown in the Syntax Description and discussed in the Usage Guidelines sections.

## Providing Feedback to Us

---

We are always striving to improve our documentation and help you work better, so we want to hear from you! We welcome all feedback but especially want to know about:

- Content errors or confusing or conflicting information.
- Ideas for improvements to our documentation so you can find the information you need faster.
- Broken links or usability issues.

If you would like to provide feedback to the Extreme Networks Information Development team about this document, please contact us using our short [online feedback form](#). You can also email us directly at [internalinfodev@extremenetworks.com](mailto:internalinfodev@extremenetworks.com).

## Getting Help

---

If you require assistance, contact Extreme Networks using one of the following methods:

- **GTAC (Global Technical Assistance Center) for Immediate Support**
  - **Phone:** 1-800-998-2408 (toll-free in U.S. and Canada) or +1 408-579-2826. For the support phone number in your country, visit: [www.extremenetworks.com/support/contact](http://www.extremenetworks.com/support/contact)
  - **Email:** [support@extremenetworks.com](mailto:support@extremenetworks.com). To expedite your message, enter the product name or model number in the subject line.
- **GTAC Knowledge** — Get on-demand and tested resolutions from the GTAC Knowledgebase, or create a help case if you need more guidance.
- **The Hub** — A forum for Extreme customers to connect with one another, get questions answered, share ideas and feedback, and get problems solved. This community is monitored by Extreme Networks employees, but is not intended to replace specific guidance from GTAC.
- **Support Portal** — Manage cases, downloads, service contracts, product licensing, and training and certifications.

Before contacting Extreme Networks for technical support, have the following information ready:

- Your Extreme Networks service contract number and/or serial numbers for all involved Extreme Networks products
- A description of the failure
- A description of any action(s) already taken to resolve the problem
- A description of your network environment (such as layout, cable type, other relevant environmental information)
- Network load at the time of trouble (if known)
- The device history (for example, if you have returned the device before, or if this is a recurring problem)
- Any related RMA (Return Material Authorization) numbers

---

## Extreme Networks Documentation

---

To find Extreme Networks product guides, visit our documentation pages at:

---

Current Product Documentation	<a href="http://www.extremenetworks.com/documentation/">www.extremenetworks.com/documentation/</a>
Archived Documentation (for earlier versions and legacy products)	<a href="http://www.extremenetworks.com/support/documentation-archives/">www.extremenetworks.com/support/documentation-archives/</a>
Release Notes	<a href="http://www.extremenetworks.com/support/release-notes">www.extremenetworks.com/support/release-notes</a>

### Open Source Declarations

Some software files have been licensed under certain open source licenses. More information is available at: [www.extremenetworks.com/support/policies/software-licensing](http://www.extremenetworks.com/support/policies/software-licensing).

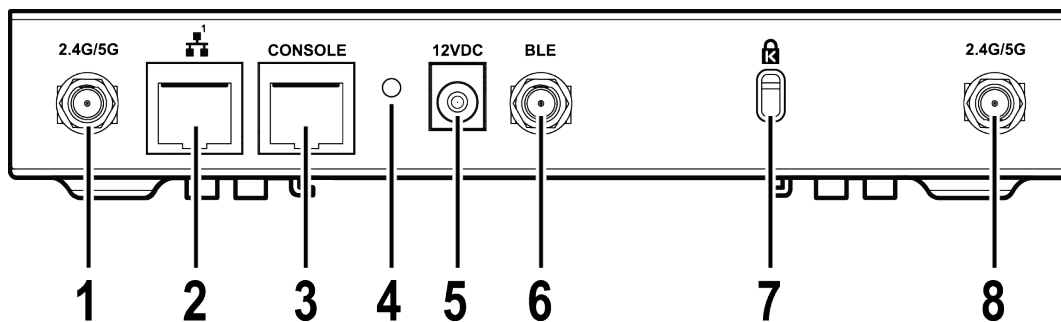
# 1 Overview

## Features LED Indicators

The AP7632 is an 802.11ac Wave 2 Access Point featuring dual 2x2:2 radios. The all-metal design of the AP supports high operating temperatures, external antennas, and flexible mounting options for wall mount, ceiling mount, beam or T-bar. The AP can be powered by 802.3af or by using a 12VDC wall brick.

## Features

The following are the features of AP7632:



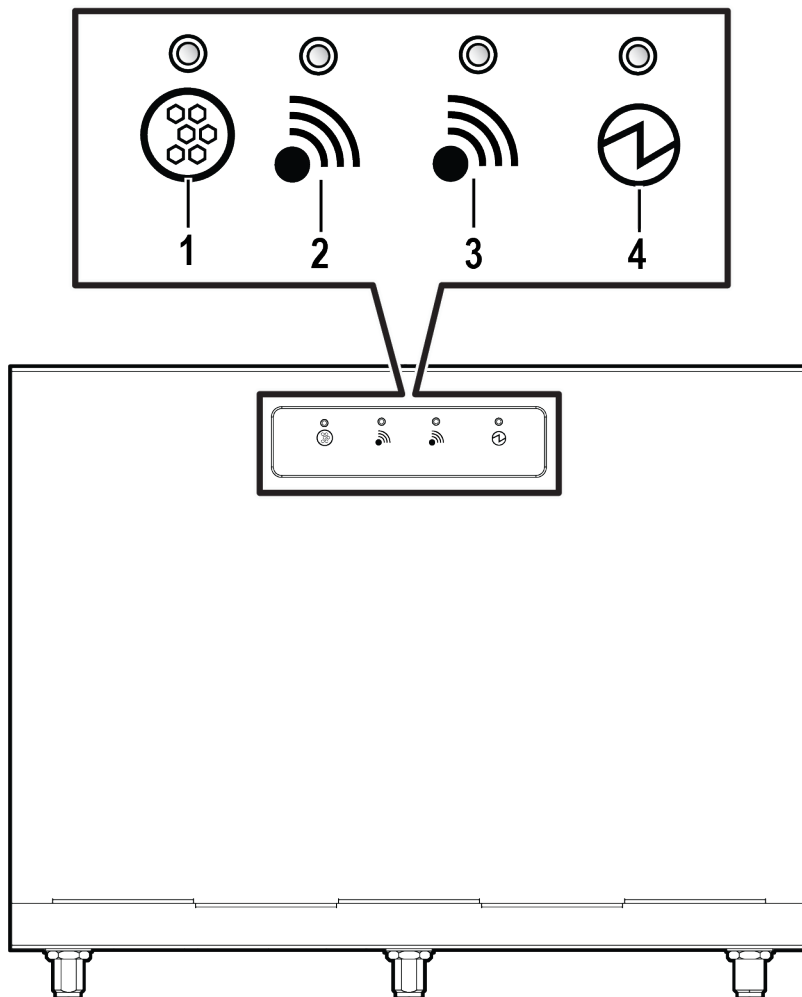
**Figure 1: AP7632 Side Ports**

**Table 3: AP7632 Rear View Feature**

Item	Description
1 - 2.4G/5G	Radio
2 - GEI/PoE	Use this port to power on the AP.
3 - Console RJ45 Port	Console RJ45 Connector.
4 - Reset button	Use a tool to access this button to reset the AP settings.
5 - Optional 12V DC Power Supply	The AP can be powered on using this optional power supply.
6	IoT/BLE Antenna Connector.
7	Kensington Lock Slot.
8	2.4/5G Radio Antenna Connector.

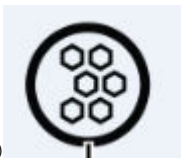

## LED Indicators

AP7632 Access Points have LED indicators on the front of the box. The LEDs provide the status of the access point indicating on, off, and network activity.





**Figure 2: AP7632 Top View**

**Table 4: LED Indicators**

Item	Status	Description
1 (IoT Radio) 	Blue	Indicates IoT application is running.
2 (5 GHz radio) 	Amber	Radio 2, 5GHz. Indicates radio is enabled.



**Table 4: LED Indicators (continued)**

Item	Status	Description
3 (2.4 GHz radio) 	Green	Radio 1, 2.4GHz. Indicates radio is enabled.
4 (Status LED) 	Green	LED is Green during bootup. The LED is off during normal use.

# 2 Installation Process

## Verifying the Box Contents

Mounting the AP on a Dry Wood Wall or Solid Flat Ceiling; Option 1: Using the Mounting Bracket

Mounting to a Junction/Gang Box

Mounting to a Suspended/Drop Ceiling

Connecting the Power Supply

Follow this procedure to install AP7632:

- 1 [Verify the Box Contents](#).
- 2 Read the [Safety Guidelines](#).
- 3 Read the [Professional Installation Instructions](#).
- 4 Mount the AP to a [Flat Ceiling](#). Alternatively, you can also mount the AP to a [junction/gang box](#), or a [suspended/drop ceiling](#).



### Note

An optional Flat Metal Indoor Bracket can be purchased (ordering Part Number 37210) for easy installation to a flat ceiling/wall.



### Note

The AP can also be mounted to a flat wall/ceiling using the WS-MBIWALL04 (ordering Part Number 30516) bracket.



### Note

Mounting the AP to a suspended or drop ceiling requires the optional adapter (Universal Mounting Kit for EWLAN APs; purchasing part number KT-135628-01), which must be purchased separately.



### Note

The optional WS-MBI-DCMTR01 (purchasing part #30518) adaptor can also be used for T-bar installations onto suspended/drop ceiling.

- 5 [Connect the Power Supply](#) to the AP7632 access point.

## Verifying the Box Contents

Before you install the AP7632 access point, make sure that you have all the necessary parts.

- 1 Verify that the box contains the following items:

**Table 5: AP7632 Box Contents**

Quantity	Items
1	AP7632 Quick Reference Guide
1	Mounting Bracket for 802.11ac Indoor AP assembled onto the AP
1	Cloud Quick Start Card
2	Phillips Pan-head wood screws
2	Screw-in anchors

- 2 Perform a visual inspection of the AP for any signs of physical damage. Contact Extreme Networks if there are any signs of damage.



**Note**

Before mounting the AP7632, read the [Safety Guidelines](#).

## Mounting the AP on a Dry Wood Wall or Solid Flat Ceiling; Option 1: Using the Mounting Bracket

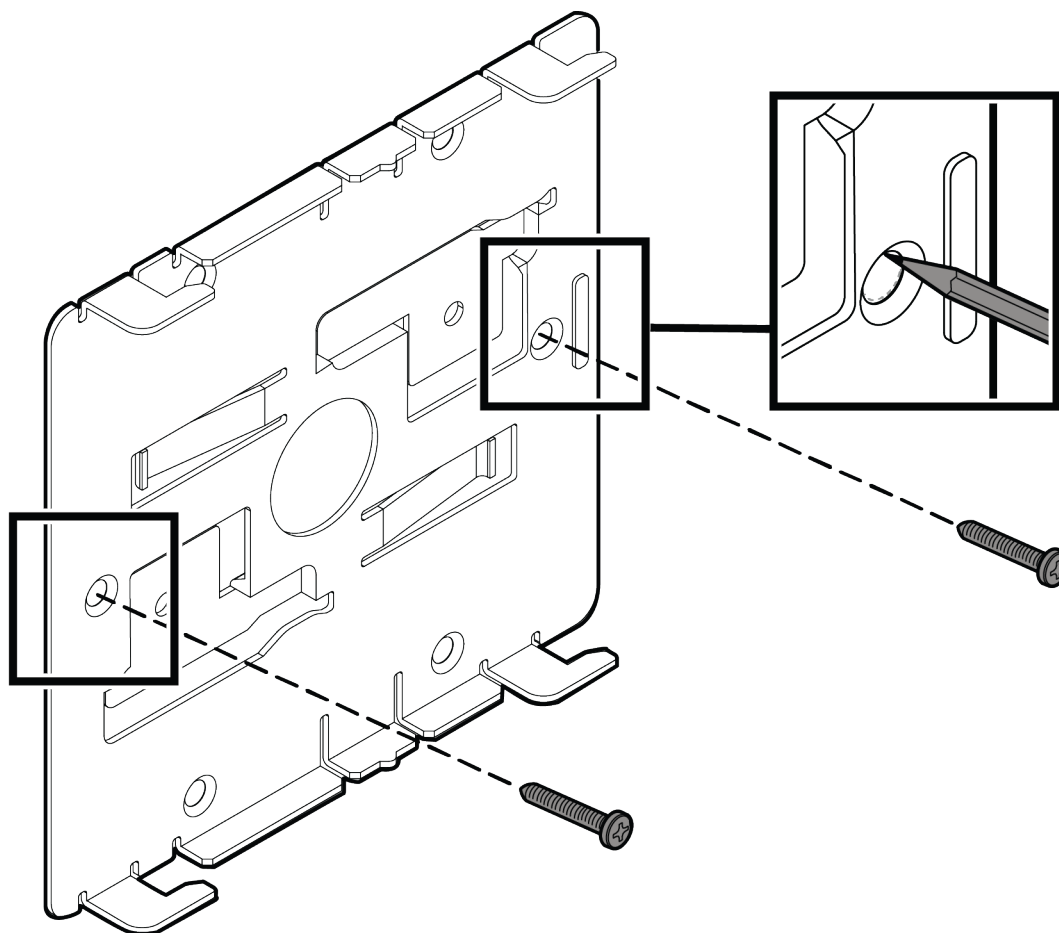
Mounting the AP7632 to a dry/wood wall or a solid flat ceiling requires mounting bracket, two Philips pan-head screws, and screw-in anchors, which is included in the box.



**Note**

Remove the main bracket from the AP to use it as a template.

- 1 Using the mounting bracket as a template, mark the hole centers on the wall.



#### Note

The four feet of the mounting bracket must be horizontal and pointing to the right and the flat part of the bracket must be touching the surface it is being attached to.

- 2 Drill two holes 81mm (3.200") apart from each other on the wall where you want to mount the AP.
- 3 Insert the screws into the holes of the mounting bracket. Use the screw-in anchors if needed.
- 4 Insert the Ethernet cable's RJ45 connector into the LAN1/GE1 port.
- 5 Slide the AP onto the bracket's four feet. Ensure that the AP is secured in place and tightened.

## Option 2: Mounting the AP to the Wall using two screws

The AP7632 can be mounted directly onto the wall without the mounting bracket by using two screws.

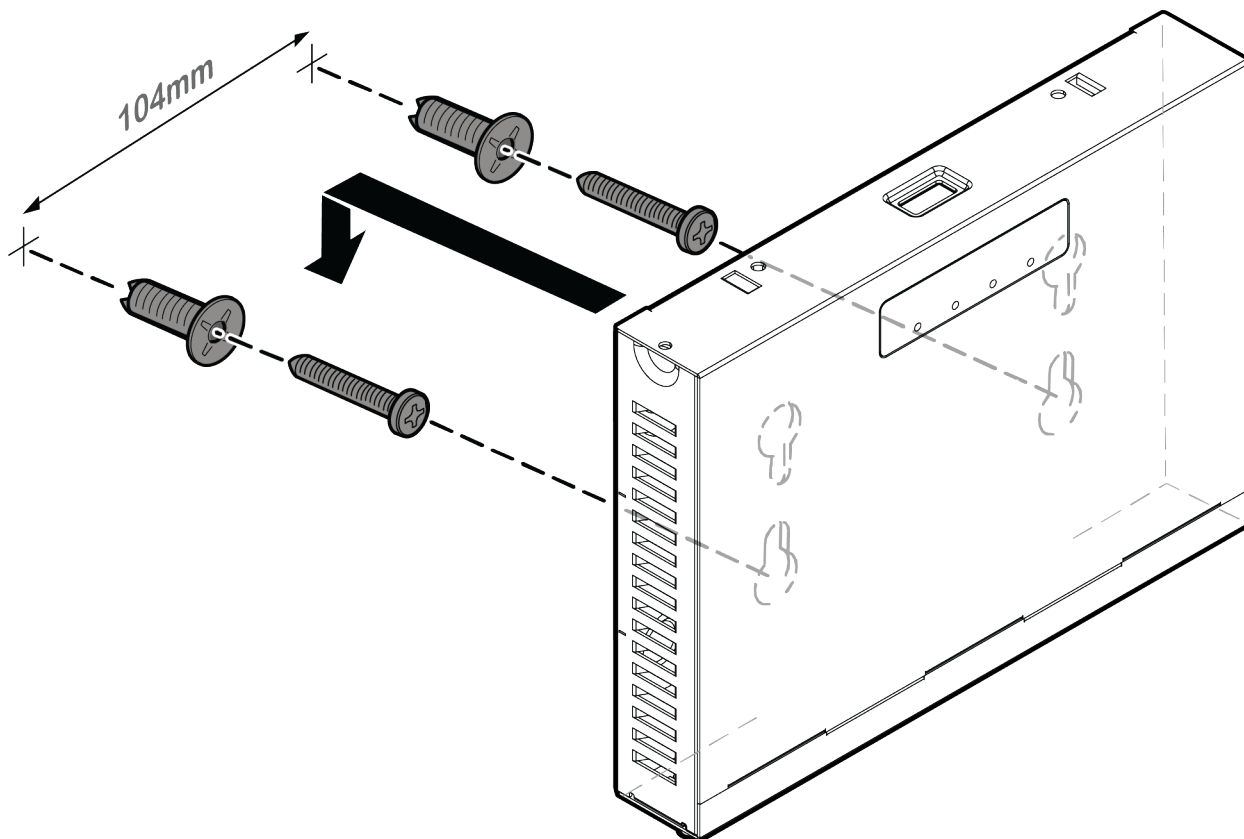
- 1 Remove the mounting bracket attached to the back of the AP.
- 2 Drill two holes 104mm (4.100") apart from each other on the wall.
- 3 Insert the screws into the holes. Use the screw-in anchors if needed.



#### Note

Leave 1/8" gap between the screw head and the wall.

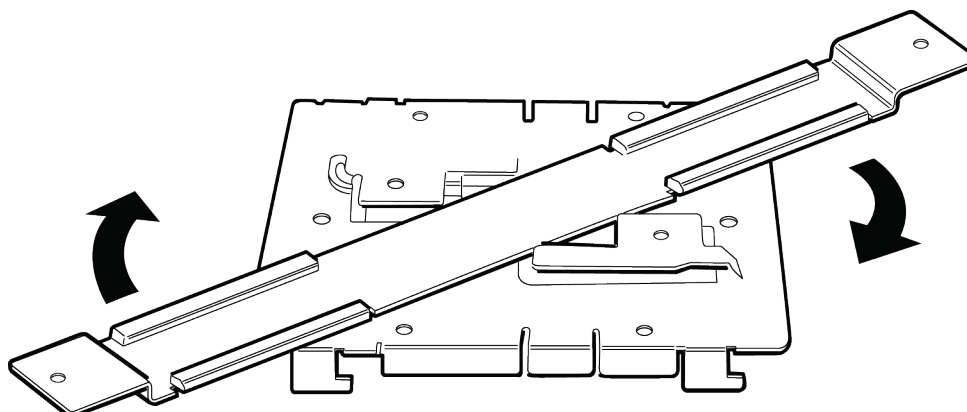
- 4 Insert the Ethernet cable's RJ45 connector into the GE1 port. Attach the optional DC adaptor if there is no PoE on the Ethernet cable.
- 5 Insert the keyholes of the AP onto the screws and slide it down till it is firmly held by the screw heads. If the AP is loose, unmount the AP and decrease the distance between the screw head and the wall. Remount the AP.



### Option 3: Using the Optional Flat Metal Indoor Bracket

The AP7632 can be installed to the wall or any solid surface using an optional flat metal indoor bracket (ordering Part Number: 37210) for easy installation.

- 1 Attach the flat metal indoor bracket to the main mounting bracket.



- 2 Hold the AP to the surface to which it needs to be attached and use the optional bracket's end holes as a template to mark the attachment holes.
- 3 Drill two holes on the wall where you want to mount the AP.
- 4 Connect the LAN/Ethernet cable to the back of the AP.
- 5 Hold the AP, insert and tighten the 2 screws until you lock it into place.

#### Option 4: Using an Optional Wall and Box Bracket

The AP7632 can also be mounted to a flat ceiling or wall using an optional wall and box bracket. This requires the WS-MBI-WALL04 bracket (ordering part Number 30516) which needs to be purchased separately.



##### Note

The slot and lock cuts in the rear of the AP (visible when the main plate is removed) are used for mounting the Wall and Box bracket. The unlock tab on the bracket should be pointed up. In this position, the AP7632 can be mounted with the antennas facing upward or downward.

- 1 Remove the mounting bracket from the back of the AP.
- 2 Install the WS-MBI-WALL04 bracket on a wall/ceiling with the two screws and screw-in anchors.
  - Use the WS-MBI-WALL04 as a template and mark the holes to be used to mount the AP. It is recommended to use the holes marked "A" or "B".
  - Drill the holes and attach the bracket using the screws and screw-in anchors.



##### Note

When using the "A" or "B" holes, if the holes are not near the corners of the bracket, you can break off the corner to decrease the bracket's visibility once the AP is installed.

- 3 Connect the LAN/Ethernet cable to the AP.
- 4 Insert the AP onto the keyhole posts and slide the AP.
- 5 Lock the AP into place at about 1/4 inch.

#### Mounting to a Junction/Gang Box

Mounting the AP7632 to a junction/gang box requires a WS-MBI-WALL04 bracket, which must be purchased separately (ordering Part Number 30516).

- 1 Remove the screws from the junction/gang box.

- 2 Line up the bracket holes on the junction/gang box and ensure that they align. If the holes do not align, drill new holes.

**Note**

When you line up the holes, the locking tab on the bracket must be pointing down and the junction/gang box must be fully covered by the bracket. The bracket must be square to the rest of the room walls and the two holes that are being used must be on the opposite side of large center hole on the bracket.

---

**Note**

If the holes that you need to use are not near the corners of the bracket, break off the corner to decrease bracket's visibility once the AP is installed.

---

- 3 Using the holes aligned together or the new ones drilled, attach the bracket to the junction/gang box using the screws removed from the junction box earlier. Do not over tighten.

**Caution**

Over tightening the screws will cause the bracket to bend. If the bracket bends, you will not be able to align and slide the AP onto the keyhole posts.

---

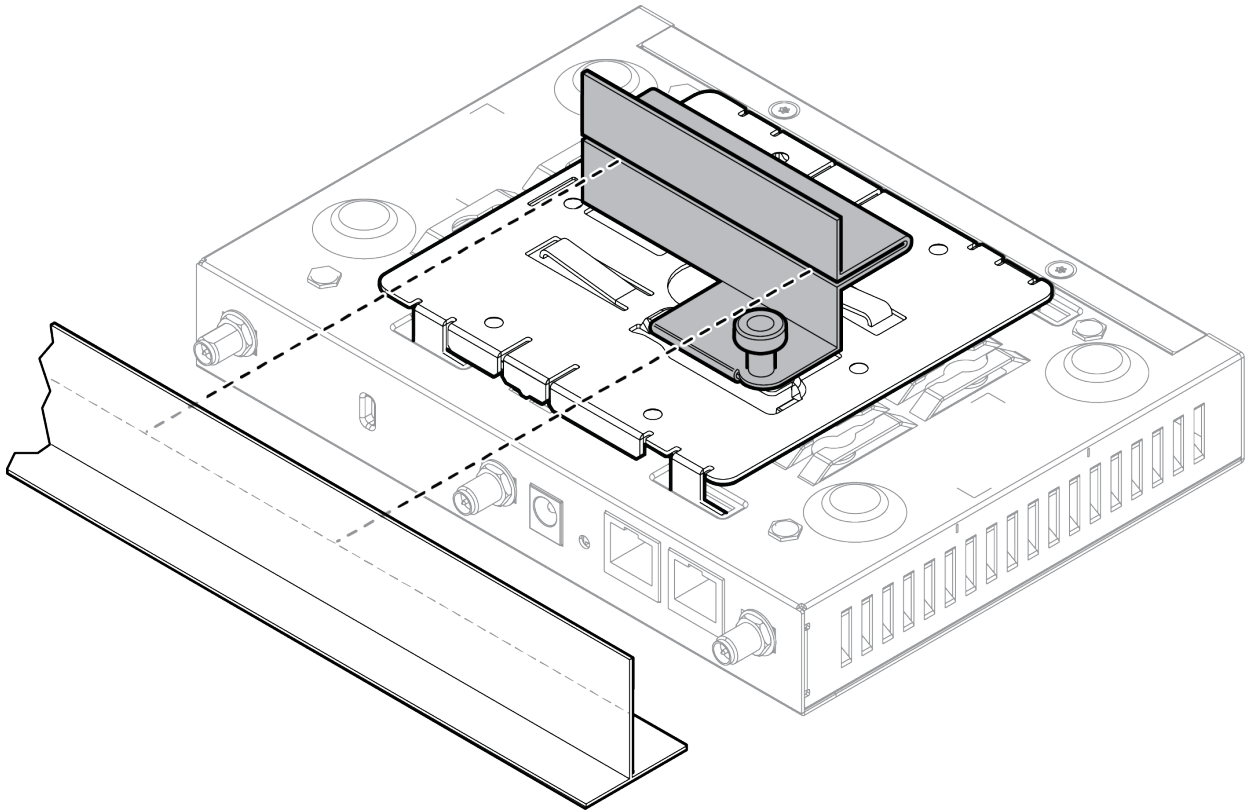
- 4 Connect the LAN/Ethernet cable to the AP.
- 5 Align the keyhole slots and posts and slide the AP onto the bracket until you hear it lock in place.

## Mounting to a Suspended/Drop Ceiling

---

The AP7632 can be mounted to a suspended/drop ceiling by attaching an optional adapter to the mounting bracket. The optional adapter (Universal Mounting Kit for EWLAN APs; purchasing Part Number KT-135628-01) must be purchased separately.

- 1 Attach the T-bar adaptor by pushing down the mounting bracket's angled locking tabs and by pulling up the T-bar adapter's locking pin.



- 2 Slide the T-bar holder onto the T-bar and replace the tiles to hold the adaptor onto the T-bar.
- 3 Hold the AP and rock it back and forth to ensure that it is securely mounted.
- 4 Attach the Ethernet cable's RJ45 connector to the LAN1/GE1 port.

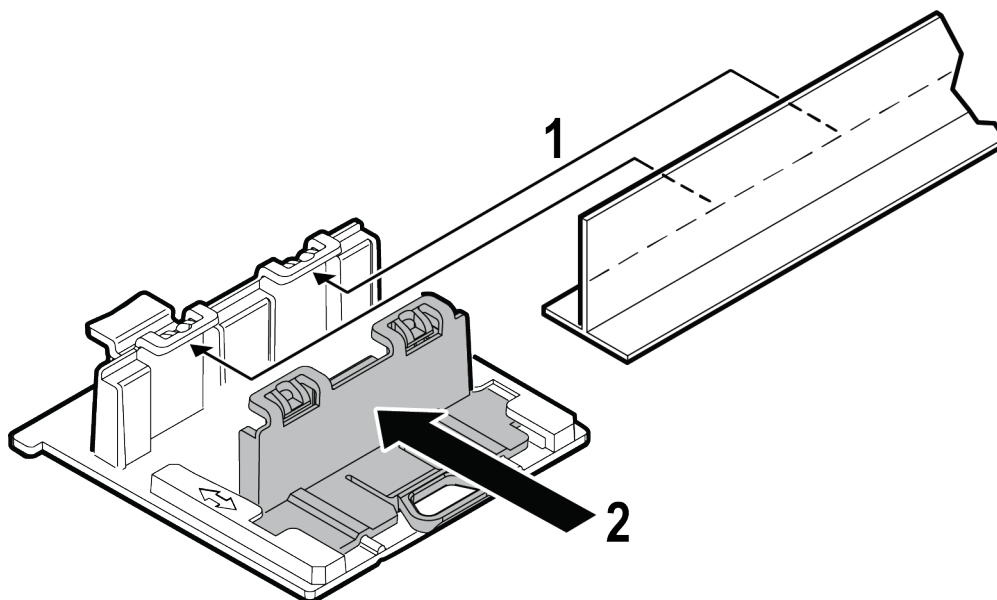
### Optional Installation: Mounting to a Suspended/Drop Ceiling using a T-bar

The AP7632 can be mounted to a suspended/drop ceiling using an optional WS-MBI-DCMTR01 multi t-bar adapter (ordering Part Number 30518).

- 1 Remove the mounting bracket from the back of the AP.
- 2 Remove the ceiling panels around the drop ceiling T-bar rail.



- 3 Open the movable sliding part of the T-bar to give the stationary and slider T-bar more space.



**Figure 3: Installing the T-bar adaptor**

- 4 Hook the stationary end of the T-bar bracket onto the T-bar.
- 5 Tilt the T-bar up slightly in such a way that you are holding the stationary and movable sides of the bracket. 4 Squeeze the bracket parts together until you hear the T-bar locking tab click into place.
- 6 Slide the T-bar ceiling mount bracket base into the back of the access point. The locking tab fits into a groove in the outside of the AP.
- 7 Hold the AP and rock it back and forth to ensure that it is securely mounted.
- 8 Attach the Ethernet cable's RJ45 connector to the LAN1/GE1 port and place the ceiling tile back in place.

## Connecting the Power Supply

If you need to power the AP7632 with an external 12V DC power supply, you can plug the power cord into the power connector on the back of the AP.

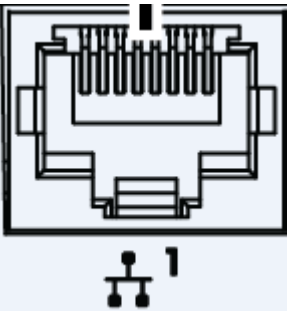

- 1 Power is provided through the RJ45 Ethernet port (LAN1 port) of AP7632. This is the preferred method of powering the AP on ceiling and high wall installations.
- 2 The AP7632 can also be powered by an external DC power supply. It is plugged into an AC source.



**Note**

There is no wall mount option for the 12V DC power supply option.

**Table 6: AP7632 Power Supply Options**

AP7632 Port	Function
	LAN1/GE1 Port
	Optional 12V DC Power Supply

When the device is powered on, the power LED on the front face of the AP is lit.

# 3 Operational Description of Antenna Configuration and RF Output Power Setting

Per KDB 353028 D01 Antennas Part 15 Transmitters v01 requirement, Applications must contain an exhibit listing each antenna, the antenna gain, antenna type, and antenna manufacturer/vendor and output power that can be used for the device, that the information listed below is correct and represent the product in consideration under this filing.

No.	Function	Type	Model	Gain (dBi)		Connector	Limit of MAX. Output Power(mW)				
				2.4GHz Band	5GHz Band		2.4GHz	5GHz U-NII-1	5GHz U-NII-3	BT-LE	Zigbee
1	WLAN	Dipole	ML-2452-APA2-01	3.17	4.85	RP-SMA Male	347.575	355.022	382.663	---	---
2	WLAN	Dipole	ML-2452-APA2-02	3	5	RP-SMA Male	347.575	355.022	382.663	---	---
3	WLAN	Dipole	ML-2452-HPA5-036	3	5	RP-SMA Male	347.575	355.022	382.663	---	---
4	WLAN	Dipole	ML-2452-HPAG4A6-01	4	7.3	N Male	337.824	374.495	371.702	---	---
5	WLAN	Dipole	ML-2452-HPA6M4-S36	6.0	6.0	RP-SMA	337.824	374.495	371.702	---	---
6	WLAN	Panel	ML-2452-PNL9M3-036	11.0	10.7	RP-SMA Male	305.978	320.793	335.324	---	---
7	WLAN	Panel	ML-2452-PNL6M3-N36	6	6	N Male	330.856	245.252	333.341	---	---
8	WLAN	Panel	ML-2452-PNA5-01R	5.5	6	N Male	330.856	245.252	333.341	---	---
9	WLAN & BT LE & Zigbee	Panel	ML-2452-PNA7-01R	7.8	10.7	N Male	330.856	245.252	333.341	1.259	1.622
10	WLAN	Patch	ML-2452-PTA2M2-036	4	5	RP-SMA Male	360.481	374.632	382.259	---	---
11	WLAN	Patch	ML-2452-PTA4M4-036	5	6.6	RP-SMA Male	360.481	374.632	382.259	---	---
12	BT LE & Zigbee	Omni	ML-2499-HPA8-01	8	-	Fixed N-Male Std polarity	---	---	---	1.259	1.622

**Figure 4: Antenna Configuration and RF Output Power Setting**

# 4 Specifications

This section lists the specifications for the Extreme WiNG™802.11 a/ac+b/g/n Indoor Access Point AP7632.

**Table 7: Specifications for the AP7632**

Item	Specification
AP Part Number: 37113	AP-7632-680B40-US
AP Part Number: 37114	AP-7632-680B40-WR
Enclosure material	Plastic with metal base.
Power source	Power is provided by Power-over-Ethernet 802.3af. Optional 12VDC Power Supply.
Antenna	Five external antennas (four band-locked antennas and one BLE antenna). Three RSPMA mount style antenna connectors.
Uplink interface	One 10/100/1000 Ethernet port with PoE.
Radio configuration	Radio 1: 2.4GHz Radio 2: 5GHz
Operating temperature	-20°C to 55°C ambient temperature anywhere. -20°C to 60°C ambient temperature near sea level.
Non-operating transportation/storage	-50°C to 70°C (-58°F to 158°F)
Altitude (feet)	6,000 feet
Relative humidity (% RH)	0% to 95% (non-condensing)
ExtremeCloud™ enabled	Yes

# 5 Regulatory Information

Safety Guidelines

FCC Declaration of Conformity Statement

Industry Canada Notice

European Waste Electrical and Electronic Equipment (WEEE) Notice

Hazardous Substances

Detachable Antenna Usage

Declaration of Conformity in Languages of the European Community

## Safety Guidelines

This section contains notices that are intended to protect your personal safety and prevent damage to the equipment.



### Attention

Only qualified personnel should perform installation procedures. Within the context of the safety notes in this documentation, qualified persons are defined as persons who are authorized to commission, ground and label devices, systems, and circuits in accordance with established safety practices and standards. A qualified person understands the requirements and risks involved with installing outdoor electrical equipment in accordance with national codes.

## FCC Declaration of Conformity Statement

This equipment has been tested and found to comply with the limits for a Class B digital device, pursuant to Part 15 of the FCC Rules. These limits are designed to provide reasonable protection against harmful interference in a residential installation. This equipment generates, uses and can radiate radio frequency energy and, if not installed and used in accordance with the instructions, may cause harmful interference to radio communications. However, there is no guarantee that interference will not occur in a particular installation. If this equipment does cause harmful interference to radio or television reception, which can be determined by turning the equipment off and on, the user is encouraged to try to correct the interference by one of the following measures:

- Reorient or relocate the receiving antenna.
- Increase the separation between the equipment and receiver.
- Connect the equipment into an outlet on a circuit different from that to which the receiver is connected.
- Consult the dealer or an experienced radio/TV technician for help.

### FCC Caution:

Any changes or modifications not expressly approved by the party responsible for compliance could void the user's authority to operate this equipment.

This device complies with Part 15 of the FCC Rules. Operation is subject to the following two conditions:

- This device may not cause harmful interference
- This device must accept any interference received, including interference that may cause undesired operation.

This transmitter must not be co-located or operating in conjunction with any other antenna or transmitter.

## Industry Canada Notice

This device complies with ISED's licence-exempt RSSs. Operation is subject to the following two conditions: (1) This device may not cause harmful interference, and (2) this device must accept any interference received, including interference that may cause undesired operation.

Le présent appareil est conforme aux CNR d'ISED applicables aux appareils radio exempts de licence. L'exploitation est autorisée aux deux conditions suivantes : (1) le dispositif ne doit pas produire de brouillage préjudiciable, et (2) ce dispositif doit accepter tout brouillage reçu, y compris un brouillage susceptible de provoquer un fonctionnement indésirable.

### Caution



- 1 The device for operation in the band 5150-5250 MHz is only for indoor use to reduce the potential for harmful interference to co-channel mobile satellite systems.
- 2 The maximum antenna gain permitted for devices in the band 5725-5850 MHz shall be such that the equipment still complies with the e.i.r.p. limits specified for point-to-point and non-point-to-point operation as appropriate.
- 3 Users should also be advised that high-power radars are allocated as primary users (i.e. priority users) of the bands 5650-5850 MHz and that these radars could cause interference and/or damage to LE-LAN devices.

### Caution

#### Avertissement:



- 1 les dispositifs fonctionnant dans la bande 5150-5250 MHz sont réservés uniquement pour une utilisation à l'intérieur afin de réduire les risques de brouillage préjudiciable aux systèmes de satellites mobiles utilisant les mêmes canaux.
- 2 le gain maximal d'antenne permis (pour les dispositifs utilisant la bande de 5725 à 5850 MHz) doit être conforme à la limite de la p.i.r.e. spécifiée pour l'exploitation point à point et l'exploitation non point à point, selon le cas.
- 3 De plus, les utilisateurs devraient aussi être avisés que les utilisateurs de radars de haute puissance sont désignés utilisateurs principaux (c.-à-d., qu'ils ont la priorité) pour les bandes 5650-5850 MHz et que ces radars pourraient causer du brouillage et/ou des dommages aux dispositifs LANEL.

**Warning**

**IC Radiation Exposure Statement:** This equipment complies with ISED radiation exposure limits set forth for an uncontrolled environment. This equipment should be installed and operated with minimum distance 36cm between the radiator & your body.

**Warning**

**Déclaration d'exposition aux radiations:** Cet équipement est conforme aux limites d'exposition aux rayonnements ISED établies pour un environnement non contrôlé. Cet équipement doit être installé et utilisé avec un minimum de 36cm de distance entre la source de rayonnement et votre corps.

單元 Unit	限用物質及其化學符號 Restricted substances and its chemical symbols					
	鉛Lead (Pb)	汞Mercury (Hg)	鎘Cadmium (Cd)	六價鉻 Hexavalent chromium (Cr <sup>+6</sup> )	多溴聯苯 Polybrominated biphenyls (PBB)	多溴二苯醚 Polybrominated diphenyl ethers (PBDE)
金屬零件 (Metal Parts)	○	○	○	○	○	○
電路模組 (Circuit Modules)	—	○	○	○	○	○
電纜及電纜組件 (Cables & Cable Assemblies)	○	○	○	○	○	○
塑料和聚合物零件 (Plastic and Polymeric parts)	○	○	○	○	○	○
<p>備考1. “超出0.1 wt %” 及 “超出0.01 wt %” 係指限用物質之百分比含量超出百分比含量基準值。            Note 1 : “Exceeding 0.1 wt %” and “exceeding 0.01 wt %” indicate that the percentage content of the restricted substance exceeds the reference percentage value of presence condition.</p> <p>備考2. “○” 係指該項限用物質之百分比含量未超出百分比含量基準值。            Note 2 : “○” indicates that the percentage content of the restricted substance does not exceed the percentage of reference value of presence.</p> <p>備考3. “—” 係指該項限用物質為排除項目。            Note 3 : The “—” indicates that the restricted substance corresponds to the exemption.</p>						

## NCC Statement

### 低功率電波輻射性電機管理辦法

第十二條 經型式認證合格之低功率射頻電機，非經許可，公司、商號或使用者均不得擅自變更頻率、加大功率或變更原設計之特性及功能。

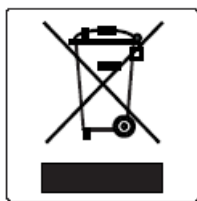
第十四條 低功率射頻電機之使用不得影響飛航安全及干擾合法通信；經發現有干擾現象時，應立即停用，並改善至無干擾時方得繼續使用。前項合法通信，指依電信法規定作業之無線電通信。

低功率射頻電機須忍受合法通信或工業、科學及醫療用電波輻射性電機設備之干擾。

電磁波曝露量MPE標準值 $1\text{mW}/\text{cm}^2$ ，本產品使用時建議應距離人體 31 cm

1. 使用此產品時應避免影響附近雷達系統之操作。
2. 高增益指向性天線只得應用於固定式點對點系統。

### European Waste Electrical and Electronic Equipment (WEEE) Notice



In accordance with Directive 2012/19/EU of the European Parliament on waste electrical and electronic equipment (WEEE):



- 1 The symbol above indicates that separate collection of electrical and electronic equipment is required.
- 2 When this product has reached the end of its serviceable life, it cannot be disposed of as unsorted municipal waste. It must be collected and treated separately.
- 3 It has been determined by the European Parliament that there are potential negative effects on the environment and human health as a result of the presence of hazardous substances in electrical and electronic equipment.
- 4 It is the users' responsibility to utilize the available collection system to ensure WEEE is properly treated.

For information about the available collection system, please contact Extreme Customer Support at 353 61 705500 (Ireland).

## Hazardous Substances

This product complies with the requirements of Directive 2011/65/EU of the European Parliament and of the Council of 8 June 2011 on the restriction of the use of certain hazardous substances in electrical and electronic equipment.

## Detachable Antenna Usage

No.	Function	Antenna Type	Model	Gain (dBi)		Connector
				2.4GHz Band	5GHz Band	
1	WLAN	Dipole	ML-2452-APA2-01	3.17	4.85	RP-SMA Male
2	WLAN	Dipole	ML-2452-APA2-02	3	5	RP-SMA Male
3	WLAN	Dipole	ML-2452-HPA5-036	3	5	RP-SMA Male
4	WLAN	Dipole	ML-2452-HPAG4A6-01	4	7.3	N Male
5	WLAN	Dipole	ML-2452-HPA6M4-S36	6.0	6.0	RP-SMA
6	WLAN	Panel	ML-2452-PNL9M3-036	11.0	10.7	RP-SMA Male
7	WLAN	Panel	ML-2452-PNL6M3-N36	6	6	N Male
8	WLAN	Panel	ML-2452-PNA5-01R	5.5	6	N Male
9	WLAN & BT LE & Zigbee	Panel	ML-2452-PNA7-01R	7.8	10.7	N Male
10	WLAN	Patch	ML-2452-PTA2M2-036	4	5	RP-SMA Male
11	WLAN	Patch	ML-2452-PTA4M4-036	5	6.6	RP-SMA Male
12	BT LE & Zigbee	Omni	ML-2499-HPA8-01	8	-	Fixed N-Male Std polarity

**Figure 5: Detachable Antenna Approved Antenna(s) list**

## Declaration of Conformity in Languages of the European Community

The full text of the EU declaration of conformity is available at the following Internet address: <http://www.extremenetworks.com/>



### Note

Changes or modifications made to this device which are not expressly approved by the party responsible for compliance could void the user's authority to operate the equipment.

<b>English</b>	Hereby, Extreme Networks, Inc. declares that the radio equipment type Wireless LAN Access Point is in compliance with Directive 1999/5/EC.
<b>Finnish</b>	Valmistaja Extreme Networks vakuuttaa täten että Radio LAN device tyyppinen laite on direktiivin 1999/5/EY oleellisten vaatimusten ja sitä koskevien direktiivin muiden ehtojen mukainen.
<b>Dutch</b>	Hierbij verklaart Extreme Networks dat het toestel Radio LAN device in overeenstemming is met de essentiële eisen en de andere relevante bepalingen van richtlijn 1999/5/EG. Bij deze verklaart Extreme Networks dat deze Radio LAN device voldoet aan de essentiële eisen en aan de overige relevante bepalingen van Richtlijn 1999/5/EC.
<b>French</b>	Par la présente Extreme Networks déclare que l'appareil Radio LAN device est conforme aux exigences essentielles et aux autres dispositions pertinentes de la directive 1999/5/ CE. Par la présente, Extreme Networks déclare que ce Radio LAN device est conforme aux exigences essentielles et aux autres dispositions de la directive 1999/5/CE qui lui sont applicables.
<b>Swedish</b>	Härmed intygar Extreme Networks att denna Radio LAN device står i överensstämmelse med de väsentliga egenskapskrav och övriga relevanta bestämmelser som framgår av direktiv 1999/5/EG.
<b>Danish</b>	Undertegnede Extreme Networks erklærer herved, at følgende udstyr Radio LAN device overholder de væsentlige krav og øvrige relevante krav i direktiv 1999/5/EF.
<b>German</b>	Hiermit erkläre Extreme Networks die Übereinstimmung des "WLAN Wireless Controller bzw. Access Points" mit den grundlegenden Anforderungen und den anderen relevanten Festlegungen der Richtlinie 1999/5/EG.
<b>Greek</b>	<b>ΜΕ ΤΗΝ ΠΑΡΟΥΣΑ Extreme Networks ΔΗΛΩΝΕΙ ΟΤΙ Radio LAN device ΣΥΜΜΟΡΦΩΝΕΤΑΙ ΠΡΟΣ ΤΙΣ ΟΥΣΙΩΔΕΙΣ ΑΠΑΙΤΗΣΕΙΣ ΚΑΙ ΤΙΣ ΛΟΙΠΕΣ ΣΧΕΤΙΚΕΣ ΔΙΑΤΑΞΕΙΣ ΤΗΣ ΟΔΗΓΙΑΣ 1999/5/ΕΚ.</b>
<b>Icelandic</b>	Extreme Networks lýsir her með yfir að thessi bunadur, Radio LAN device, uppfyllir allar grunnkröfur, sem gerdar eru í R&TTE tilskipun ESB nr 1999/5/EC.
<b>Italian</b>	Con la presente Extreme Networks dichiara che questo Radio LAN device è conforme ai requisiti essenziali ed alle altre disposizioni pertinenti stabilite dalla direttiva 1999/5/CE.
<b>Spanish</b>	Por medio de la presente Extreme Networks declara que el Radio LAN device cumple con los requisitos esenciales y cualesquiera otras disposiciones aplicables o exigibles de la Directiva 1999/5/CE.
<b>Portuguese</b>	Extreme Networks declara que este Radio LAN device está conforme com os requisitos essenciais e outras disposições da Directiva 1999/5/CE.
<b>Malti</b>	Hawnhekk, Extreme Networks, jiddikjara li dan Radio LAN device jikkonforma mal-htgijiet essenzjali u ma provvedimenti oħrajn rilevanti li hemm fid-Dirrettiva 1999/5/EC.

## New Member States Requirements of Declaration of Conformity

<b>Estonian</b>	Käesolevaga kinnitab Extreme Networks seadme Radio LAN device vastavust direktiivi 1999/5/EÜ põhinõuetele ja nimetatud direktiivist tulenevatele teistele asjakohastele sätetele.
-----------------	---

- Hungarian** Alulírott, Extreme Networks nyilatkozom, hogy a Radio LAN device megfelel a vonatkozó alapvető követelményeknek és az 1999/5/EC irányelv egyéb előírásainak.
- Slovak** Extreme Networks týmto vyhlasuje, že Radio LAN device spĺňa základné požiadavky a všetky príslušné ustanovenia Smernice 1999/5/ES.
- Czech** Extreme Networks tímto prohlašuje, že tento Radio LAN device je ve shodě se základními požadavky a dalšími příslušnými ustanoveními směrnice 1999/5/ES."
- Slovenian** Šiuo Extreme Networks deklaruoja, kad šis Radio LAN device atitinka esminius reikalavimus ir kitas 1999/5/EB Direktyvos nuostatas.
- Latvian** Ar šo Extreme Networks deklarē, ka Radio LAN device atbilst Direktīvas 1999/5/EK būtiskajām prasībām un citiem ar to saistītajiem noteikumiem
- Lithuanian** Extreme Networks deklaruoja, kad Radio LAN device atitinka 1999/5/EC Direktyvos esminius reikalavimus ir kitas nuostatas".
- Polish** Niniejszym, Extreme Networks, deklaruje, że Radio LAN device spełnia wymagania zasadnicze oraz stosowne postanowienia zawarte Dyrektywie 1999/5/EC.