



ExtremeCloud™ IQ - Site Engine

NMS-A-305 Installation Guide

05/2021
9037054-00
Subject to Change Without Notice

Copyright © 2021 Extreme Networks, Inc. All Rights Reserved.

Legal Notices

Extreme Networks, Inc., on behalf of or through its wholly-owned subsidiary, Enterasys Networks, Inc., reserves the right to make changes in specifications and other information contained in this document and its website without prior notice. The reader should in all cases consult representatives of Extreme Networks to determine whether any such changes have been made.

The hardware, firmware, software or any specifications described or referred to in this document are subject to change without notice.

Trademarks

Extreme Networks and the Extreme Networks logo are trademarks or registered trademarks of Extreme Networks, Inc. in the United States and/or other countries.

All other names (including any product names) mentioned in this document are the property of their respective owners and may be trademarks or registered trademarks of their respective companies/owners.

For additional information on Extreme Networks trademarks, please see: www.extremenetworks.com/company/legal/trademarks/

Contact

If you require assistance, contact Extreme Networks using one of the following methods.

- [Global Technical Assistance Center \(GTAC\) for Immediate Support](#)
 - **Phone:** 1-800-998-2408 (toll-free in U.S. and Canada) or 1-603-952-5000. For the Extreme Networks support phone number in your country, visit: www.extremenetworks.com/support/contact
 - **Email:** support@extremenetworks.com. To expedite your message, enter the product name or model number in the subject line.

- [GTAC Knowledge](#) — Get on-demand and tested resolutions from the GTAC Knowledgebase, or create a help case if you need more guidance.
- [The Hub](#) — A forum for Extreme customers to connect with one another, get questions answered, share ideas and feedback, and get problems solved. This community is monitored by Extreme Networks employees, but is not intended to replace specific guidance from GTAC.
- [Support Portal](#) — Manage cases, downloads, service contracts, product licensing, and training and certifications.

Table of Contents

ExtremeCloud™ IQ - Site Engine NMS-A-305 Installation Guide	1
Table of Contents	4
About This Guide	6
Engine Overview and Setup	7
Kit Contents	7
Specifications	7
Front Panel Features	9
Front Panel Features	9
Hard Drive LED Indicator Patterns	10
Back Panel Features	11
Power Supply Status Indicator Patterns	12
Removing and Installing the Front Bezel	12
Removing the Front Bezel	13
Installing the Front Bezel	13
Installing the Engine into a Rack	13
Torque Values	14
Configuration	15
Pre-Configuration Tasks	15
Configuring the Engine	15
Launching ExtremeCloud IQ - Site Engine Applications	23
Restoring a Database from a Windows Server to the Engine	24
Changing Console	24
Changing Syslog Location	24

Changing Traps Location	24
Changing Inventory Manager	25
Changing Engine Settings	25
Changing Basic Network Configuration	25
Changing SNMP Configuration	25
Changing Date and Time Settings	26
Upgrading ExtremeCloud IQ - Site Engine Engine Software	26
Reinstalling Engine Software	28
Product Regulatory and Compliance Information	30
Federal Communications Commission (FCC) Notice	30
Industry Canada, Class A	31
CE Notice	31
VCCI Notice	31
BSMI EMC Statement – Taiwan	31
Hazardous Substances	32
European Waste Electrical and Electronic Equipment (WEEE) Notice	32
Declaration of Conformity	34

About This Guide

This document describes the installation and initial configuration of the Extreme Networks ExtremeCloud IQ - Site Engine NMS-A-305 hardware engine.

This document is intended for experienced network administrators who are responsible for implementing and maintaining communications networks.

Engine Overview and Setup

This chapter lists the components shipped with the NMS-A-305 engine, describes the front and back panels, and provides information on engine specifications.

For complete regulatory compliance and safety information, refer to the document Intel® Server Products Product Safety and Regulatory Compliance, available at the following links:

https://www.intel.com/content/dam/support/us/en/documents/motherboards/server/sb/g23122003_safetyregulatory.pdf
<http://www.extremenetworks.com/support/documentation/>

Kit Contents

The NMS-A-305 engine ships with the following components:

- Extreme Networks URL card
- Front bezel label
- A rack mounting kit
- Two rack handles and appropriate screws
- AC power cord bracket and cable clamp kit
- One USB flash drive

Specifications

The physical specifications for the engine are listed in the following tables.

NMS-A-305 Physical Specifications

Processor	
Processor type	NMS-A-305 - Intel® Xeon® E5-2620 v4 processor
Processor speed	2.1 GHz
CPU Cores	8
Memory	

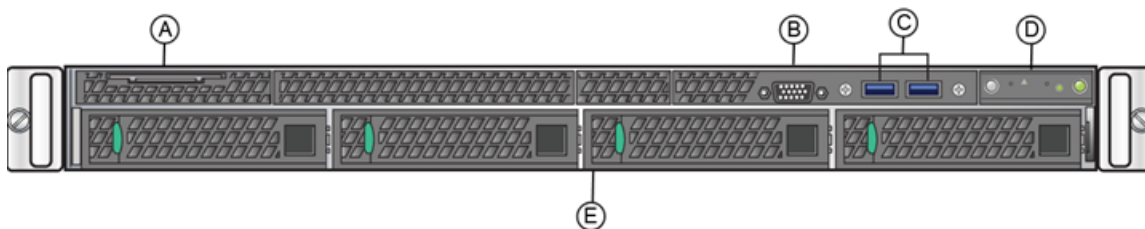
Architecture	2400MHz Dual Ranked Registered (RDIMM) ECC DDR4
Memory module capacities	4 GB DIMMs
Minimum RAM (included)	64 GB (sixteen 4 GB DIMMs)
Maximum RAM	128 GB (thirty-two 4 GB RDIMMs)
RAID Configuration	RAID 1 with BBU
Drives	
Hard drives	Two 960 GB SSD hard drive
Connectors	
Back	
NIC	Four RJ-45
Serial	9-pin, DTE, 16550-compatible
USB	Three 4-pin, USB 2.0-compliant
Video	15-pin VGA
Networking	Two 1 GB Ethernet
Front	
USB	Two 4-pin, USB 2.0-compliant
Video	15-pin VGA
Power	
AC power supply (per power supply)	Redundant power supply
Wattage	750 watts
Input voltage	<ul style="list-style-type: none"> • 90 - 132 V at 47/63 Hz 8.2 A • 180 - 264 V at 47/63 Hz 4.4 A
Output voltage	<ul style="list-style-type: none"> • 62.0A at 12 V • 2.1A at 12 VSB
Physical	
Height	4.45 cm (1.72 in.)
Width	43.0 cm (16.93 in.)
Depth	70.99 cm (27.95 in.)
Weight (maximum configuration)	13.15 kg (29 lb.)

NMS-A-305 Environmental Specifications

Parameter	Limits
Operating temperature	+10°C (+50°F) to +35°C (+95°F) with the maximum rate of change not to exceed 10°C (+50°F) per hour
Storage temperature	-40°C (-40°F) to +70°C (+158°F)
Storage humidity	50% to 90%, non-condensing at 28°C (82°F)
Vibration, unpackaged	5 Hz to 500 Hz, 2.20 g RMS random
Shock, operating	Half sine, 2 g-force peak, 11 milliseconds
Shock, unpackaged	Trapezoidal, 25 g, velocity change 136 inches/second (40 lb to < 80 lb)
Shock, packaged	Non-palletized free fall in height 24 inches (40 lb to < 80 lb)
ESD	±12 KV except I/O port ±8 KV per Intel® Environmental test specification
Estimated thermal dissipation	1550 BTU/Hr

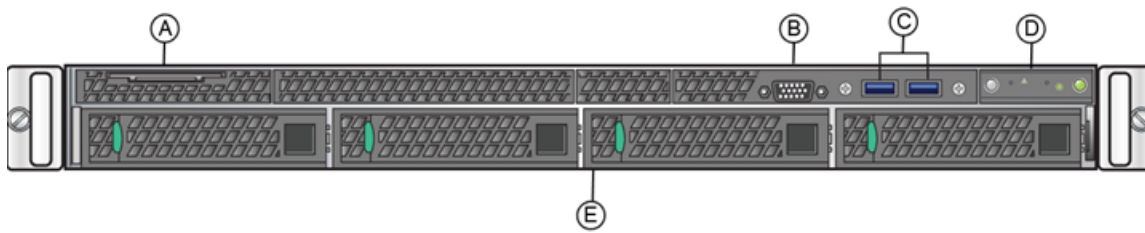
Front Panel Features

This section shows the front panel and describes the major features.



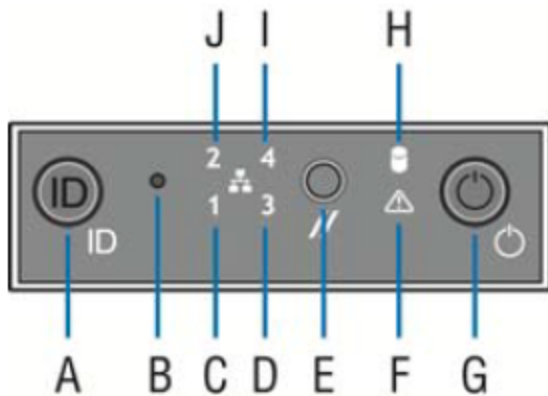
Front Panel Features

This section shows the front panel and describes the major features.



NMS-A-305 Front Panel Features

A	System label pull-out	D	Front control panel (see figure below)
B	Video Connector	E	Hard disk drive bays
C	USB 3.0 Ports		



Front Control Panel

A	System ID button w/integrated LED	F	System status LED
B	NMI button (recessed, tool required for use)	G	Power button w/integrated LED
C	Mgmt port activity LED	H	Hard drive activity LED
D	Not used	I	Not used
E	System cold reset button	J	Not used

Hard Drive LED Indicator Patterns

The hard drive has two LED indicators visible from the front of the system: one is a green LED for disk activity, and the other is amber and indicates hard drive status. The following tables describe the LED states:

Hard Drive Activity LED Indicator Patterns

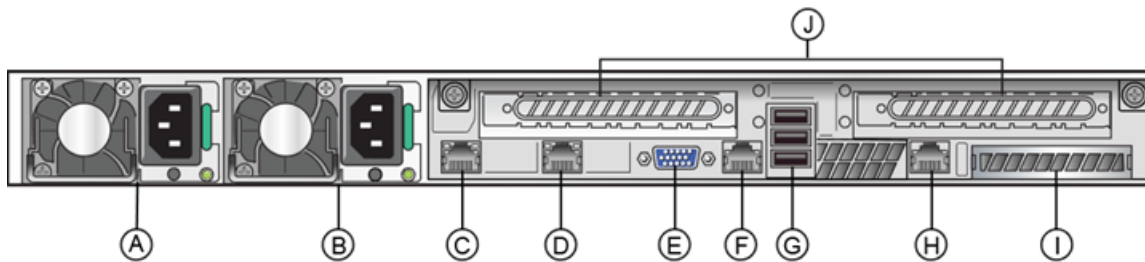
Activity LED Patterns	Hard Drive Condition
Off	Power on and drive spinning up or spinning down
Blinking green	Power on with drive activity

Hard Drive Status LED Indicator Patterns

Status LED Patterns	Hard Drive Condition
Off	No access or no fault
Solid amber	Hard drive fault has occurred

Back Panel Features

This section shows the back panel and describes the major features.



NMS-A-305 Back Panel

A	Power supply module #1	F	Serial port
B	Power supply module #2	G	USB 2.0 ports
C	eth0	H	Mgmt port, out of band
D	eth1	I	I/O Module Bay
E	Video connector	J	Riser cards, not used

The following table describes the LEDs for the RJ45 management port.

RJ45 Port LEDs (Management Port)

LED Type	LED Pattern	Status Indication
Network speed (right)	Off	10 Mbps
	Amber	100 Mbps
	Green	1000 Mbps
Link activity (left)	Off	No link
	Solid Green	Active link
	Blinking Green	Data traffic activity

Power Supply Status Indicator Patterns

The engine has two power supplies, supplying hot-pluggable power redundancy. The system distributes the power load across both power supplies to maximize efficiency.

Each power supply has a single bi-color LED to indicate power supply status, as described in the table below.

Power Supply Status LED Indicator Patterns

LED Pattern	Power Supply Condition
Green	Output on and OK
Off	No AC power to all power supplies
1 Hz blinking green	AC present / Only 12VSB on (PS off) or PS in cold redundant state
Amber	AC power cord unplugged or AC power lost. With a 2nd PS in parallel still with AC input power
1 Hz blinking amber	Power supply warning events where PS continues to operate – high temp, high power, high current, slow fan
Amber	Power supply critical event causing a shutdown, failure, OCP, OVP, fan fail
2 Hz blinking green	Power supply firmware updating

Removing and Installing the Front Bezel

The NMS-A-305 engine comes with an optional front panel bezel that can be attached to the front of the chassis by snapping the bezel onto the chassis handles. A key lock allows you to lock the bezel in place so that front panel controls cannot be used. You can still monitor system status indicators with the

bezel in place.

Removing the Front Bezel

To remove the front bezel:

1. Unlock the bezel if it is locked.
2. Remove the left end of the front bezel from rack handle.
3. Rotate the front bezel counterclockwise to release the latches on the right end from the rack handle.

Installing the Front Bezel

Note: Before installing the bezel, you must install the rack handles. See [Installing the Engine into a Rack](#).

To install the front bezel:

1. Lock the right end of the front bezel to the rack handle.
2. Rotate the front bezel clockwise till the left end clicks into place.
3. Lock the bezel, if needed.

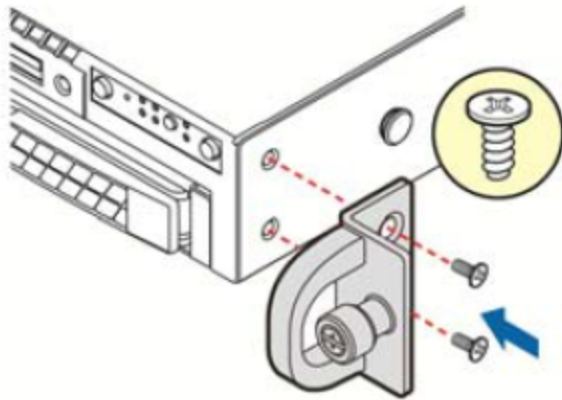
Installing the Engine into a Rack

A rack mounting kit and installation guide are included with the NMS-A-305 engine. The rack mounting kit allows you to install the engine into a four-post rack cabinet. Refer to the installation guide for complete installation instructions.

If you are table mounting the engine, ensure at least 6 cm of clearance on all sides of the engine for proper ventilation.

If you are installing the engine in a rack:

1. Install the rack handles by aligning a rack handle with the two holes on each side of the engine and attaching each handle to the engine with two screws as shown in the figure below.



Installing the Rack Handles

2. Read the installation guide included with the rack mounting kit.
3. Install the rails and mount the controller in the rack as instructed.

Torque Values

The following table describes the recommended torque values to use when installing the engine using standard threaded fastener machine screws and bolts.

Recommended Torque Values by Screw Size

Screw Size		Torque in Pounds			Bit Size
English	Metric	-%5	Nominal	+%5	
N/A	N/A	1.42	1.5	1.57	0
2 - 56	1.5	2.85	3.0	3.15	0
4 - 40	2.5	4.75	5.0	5.25	0/1
6 - 32	3.5	8.55	9.0	9.45	1
8 - 32	4.5	17.10	18.0	18.90	2
10 - 32	5	30.40	32.0	33.60	2
1/4 - 20	6.5	63.65	67.0	70.35	3

Configuration

Once you have installed the engine into a rack, you need to connect a monitor and a USB keyboard, connect the power cord and network cable, and power it on.

After the engine boots and the engine installation is complete, you must go through the initial configuration process described in this chapter.

This chapter also includes information on how to change your engine settings following your initial configuration and how to upgrade the ExtremeCloud IQ - Site Engine application software. For information on reinstalling the ExtremeCloud IQ - Site Engine engine software, see [Reinstalling Engine Software](#).

Pre-Configuration Tasks

Ensure that you have the following information prior to executing the configuration steps in the next section:

- Engine hostname, IP address, and netmask
- Default gateway IP address
- Name server IP address and domain name
- NIS (Network Information Services) server IP address
- Network Time Protocol (NTP) server IP address

In addition, you need to obtain the appropriate ExtremeCloud IQ - Site Engine software license prior to launching the ExtremeCloud IQ - Site Engine applications. You are prompted to enter a license when you launch the application. (When you purchased ExtremeCloud IQ - Site Engine, you received a Licensed Product Entitlement ID. This Entitlement ID allows you to generate a product license. Refer to the instructions included with the Entitlement ID that was sent to you.)

Configuring the Engine

After the initial engine installation is complete, use the following steps to

configure the engine to run the ExtremeCloud IQ - Site Engine engine software:

1. Login as root with no password, and press **Enter**.

The following screen appears:

```

=====
=====
Extreme Networks - ExtremeCloud IQ - Site Engine Suite Engine

Welcome to the ExtremeCloud IQ - Site Engine Engine Setup
=====
=====
Please enter the information as it is requested to continue with the
configuration. Typically a default value is displayed in brackets.
Pressing the [enter] key without entering a new value will use the
bracketed value and proceed to the next item. If a default value
cannot be provided, the prompt will indicate that the item is either
(Required) or (Optional). The [enter] key may be pressed without
entering data for (Optional) items. A value must be entered for
(Required) items. At the end of the setup process, the existing
settings will be displayed and opportunity will be provided to correct
any errors.
=====
=====
Press [enter] to begin setup or CTRL-C to exit:

```

2. Press [Enter] to begin the setup. The Root Password Configuration screen appears:

```

=====
=====
Root Password Configuration
=====
=====
There is currently no password set in the system administrator
account (root). It is recommended that you set one that is active the
first time the machine is rebooted.
=====
=====
Would you like to set a root password (y/n) [y]?

```


Note: You must set a new root password. This new root password is used by the initial user when logging in to the ExtremeCloud IQ - Site Engine applications.

3. Press **Enter** to set a new root password. Enter the new password as prompted.

```

Enter new UNIX password:
Retype new UNIX password:
Password updated successfully.
    
```

4. After you create the new root password, a screen appears where you can specify a user other than root to run the ExtremeCloud IQ - Site Engine server, if desired. This user becomes the admin user for the server.

```

=====
=====
Select the user to run the server as
=====
=====
Do you want to use an existing user? (y/n) [y]
    
```

5. Enter **y** to use an existing user if you already have a user defined on the machine and enter the user name. Leave the name set to root if you do not want to specify another user. Accept your selection. Enter **n** to create a new "netsight" user (netsight is the user name) and enter the password for this new user. Re-enter the password and then accept your selection.
6. In the ExtremeCloud IQ - Site Engine Suite Engine Network Configuration screen, enter the requested configuration information and press **Enter**.

If you plan to use DNS, enter the IP address of the name server. If you are using a name server, enter a domain name for the engine. If you are using an NIS server to authenticate users logging into the engine, make sure the NIS domain name is valid or users may not be able to log in to the ExtremeCloud IQ - Site Engine applications.

```

=====
=====
ExtremeCloud IQ - Site Engine Suite Engine Network Configuration
    
```

```

=====
=====
Enter the hostname for the engine (Required):
Enter the IP address for <hostname> [192.168.1.10]:
Enter the IP netmask [255.255.255.0]:
Enter the gateway address [192.168.1.1]:
Enter the IP address of the name server (Optional):
Enter the domain name for <hostname> (Optional):

Do you want to use NIS (y/n) [n]? y
Enter the IP address of the NIS server:
Enter the NIS domain name (Required):

```

7. In the Confirm Network Settings screen, you can accept the current configuration or modify the settings.

```

=====
=====
Confirm Network Settings
=====
=====
These are the settings you have entered. Enter 0 or any key other
than a valid selection to continue.If you need to make a change, enter
the appropriate number now or run the /usr/postinstall/dnetconfig
script at a later time.
=====
=====
0. Accept settings and continue
1. Hostname: <hostname>
2. IP address: 192.168.1.10
3. Netmask: 255.255.255.0
4. Gateway: 192.168.1.1
5. Nameserver:
6. Domain name: <domain name>
7. NIS Server/Domain:
Enter selection [0]:

```

8. In the SNMP Configuration screen, enter the requested information for each line and press **Enter**.

```

=====
=====
SNMP Configuration
=====
=====
The following information will be used to configure SNMP
management of this device. The SNMP information entered here must
be used to contact this device with remote management applications
such as ExtremeCloud IQ - Site Engine Console.
=====
=====
Please enter the SNMP user name [snmpuser]:
Please enter the SNMP authentication credential [snmpauthcred]:
Please enter the SNMP privacy credential [snmpprivcred]:
    
```

9. In the Configure Date and Time Settings screen, select whether you want to use an external Network Time Protocol (NTP) server. Enter y to use NTP, and enter your NTP server IP address(es). Enter n to configure the date and time manually and proceed to step [11](#).

```

=====
=====
Configure Date And Time Settings
=====
=====
The engine date and time can be set manually or using an external
Network Time Protocol (NTP) server. It is strongly recommended that
NTP is used to configure the date and time to ensure accuracy of time
values for SNMP communications and logged events. Up to 5 server IP
addresses may be entered if NTP is used.
=====
=====
Do you want to use NTP (y/n) [y]? y
Please enter a NTP Server IP Address (Required): 144.131.10.120
Would you like to add another server (y/n) [n]? y
Please enter a NTP Server IP Address (Required): 144.131.10.121
Would you like to add another server (y/n) [n]? n
    
```

10. In the NTP Servers validate selection screen, enter 0 to accept the current settings and proceed to the Set Time Zone screen in step [13](#).

```

=====
=====
NTP Servers
=====
=====
These are the currently specified NTP servers. Enter 0 or any key other than a valid selection to complete NTP configuration and continue.
If you need to make a change, enter the appropriate number from the choices listed below.
144.131.10.120
144.131.10.121
0. Accept the current settings
1. Restart NTP server selection
2. Set date and time manually
=====
=====
Enter selection [0]: 0
    
```

11. If you answered no to using an NTP server to set date and time, set the date and time in the Set Date and Time screen.

```

=====
=====
Set Date And Time
=====
=====
The current system date and time is: Thu Oct 28 09:34:08 2013
Please enter the values for date and time as directed where input is expected in the following format:
MM - 2 digit month of year
DD - 2 digit day of month
YYYY - 4 digit year
hh - 2 digit hour of day using a 24 hour clock
mm - 2 digit minute of hour
ss - 2 digit seconds
    
```

```

=====
=====
Please enter the month [10]:
Please enter the day of the month [28]:
Please enter the year [2013]:
Please enter the hour of day [09]:
Please enter the minutes [34]:
Please enter the seconds [08]:

```

12. In the Use UTC screen, select whether you want the system clock to be set to use UTC.

```

=====
=====
Use UTC
=====
=====
The system clock can be set to use UTC. Specifying no for using UTC,
sets the hardware clock using localtime.
=====
=====
Do you want to use UTC (y/n) [n]?

```

13. In the Set Time Zone screen, select the appropriate time zone and press **Enter**.

```

=====
=====
Set Time Zone
=====
=====
You will now be asked to enter the time zone information for this
system. Available time zones are stored in files in the
/usr/share/zoneinfo directory. Please select from one of the following
example time zones:
1. US Eastern
2. US Central
3. US Mountain
4. US Pacific

```

```

5. Other - Shows a graphical list
=====
=====
Enter selection [1]:
    
```

14. The Modify Settings screen summarizes the settings you have entered and provides an opportunity to modify the settings, if desired. Enter 0 to accept the settings.

```

=====
=====
Modify Settings
=====
=====
All of the information needed to complete the installation of the  

ExtremeCloud IQ - Site Engine Engine has been entered. Enter 0 or  

any key other than a valid selection to continue. If you need to make a  

change, enter the appropriate number from the choices listed below.
=====
=====
0. Accept settings and continue
1. Set the root user password
2. Set user to run server as
3. Set hostname and network settings
4. Set SNMP settings
5. Set the system time
6. Modify all settings

Enter selection [0]:
    
```

The ExtremeCloud IQ - Site Engine engine software is automatically installed. This could take a few minutes. When the installation is complete, you'll see the following screen:

```

=====
====
Extreme Networks - ExtremeCloud IQ - Site Engine Suite Engine - Setup  

Complete
=====
====
    
```

Setup of the ExtremeCloud IQ - Site Engine Engine is now complete. The engine is now operational and ready to accept remote connections. Details of the installation are located in the /var/log/install directory.

```
=====
===
```

Launching ExtremeCloud IQ - Site Engine Applications

Now that you have configured the ExtremeCloud IQ - Site Engine engine, you are ready to access the ExtremeCloud IQ - Site Engine Launch Page and run the applications from a remote client machine.

1. Open a browser window on the remote client machine and enter the ExtremeCloud IQ - Site Engine Launch page URL in the following format:

`http://<servername>:8080/` **or** `https://<server-name>:8443/`

where `<servername>` is the ExtremeCloud IQ - Site Engine engine IP address or hostname, and 8080 is the required port number. For example, `http://10.20.30.40:8080/` **or** `https://10.20.30.40:8443/`

The ExtremeCloud IQ - Site Engine Launch Page opens.

2. Launch your ExtremeCloud IQ - Site Engine applications by clicking on the names or icons of any of the listed applications.

A login window appears.

3. Log in as root with the same password you defined in [Step 3](#) or as the user you specified in [Step 4](#).

This is because the ExtremeCloud IQ - Site Engine Server has a single pre-defined user that is the user who performed the installation. Once the initial user has logged in, additional users can be defined.

The first time you attempt to launch an ExtremeCloud IQ - Site Engine application, you are prompted for the license text you received when you generated your ExtremeCloud IQ - Site Engine product license.

For more information on the ExtremeCloud IQ - Site Engine Launch page, access the Online Help by clicking on ? in top-right corner. In the Online Help Table of Contents, select *Installation Guide* and then read the section titled "Remote Client Launch."

Restoring a Database from a Windows Server to the Engine

This section describes several ExtremeCloud IQ - Site Engine configuration changes that are required if you are moving your ExtremeCloud IQ - Site Engine installation from a Windows platform system to the engine. The steps are performed after restoring your database to the new engine. (For information on restoring a database, see the Server Information section in the *ExtremeCloud IQ - Site Engine Suite-Wide Tools User Guide*.)

Changing Console

Use the following instructions to change the location of syslog and trap information to the new location on the engine.

Changing Syslog Location

Change the Syslog Log Manager to point to the new location on the engine. This allows the display of syslog information in the Syslog Event View tab.

1. From the Console menu bar, select **Tools > Alarm/Event > Event View Manager**.
2. Click on the **Syslog** entry under Available Log Managers, and click the **Edit** button. **The Log Manager Parameters window opens.**
3. Change the path in the **Log Directory** field to `/var/log/messages`.
4. Change the Pattern to **Red Hat LINUX Syslog Pattern**.
5. Click **OK**.

Changing Traps Location

Change the Traps Log Manager to point to the new location on the engine. This allows the display of trap information in the **Traps Event View** tab.

1. From the Console menu bar, select **Tools > Alarm/Event > Event View Manager**.
2. Click on the **Traps** entry under Available Log Managers, and click the **Edit** button. **The Log Manager Parameters window opens.**
3. Change the path in the **Log Directory** field to `%logdir%/traps`.
4. Click **OK**.

Changing Inventory Manager

If you are using Inventory Manager, you must change the Data Storage Directory path to point to the new location on the engine. The Data Storage Directory is where all Inventory Manager data is stored, including capacity planning reports, configuration templates, archived configurations, and property files.

1. Open ExtremeCloud IQ - Site Engine and select **Administration > Options > Inventory Manager**.
2. Select **Directory Path** in the Data Storage section of the tab.
3. Change the path to the correct new location.

On a default Linux install, the path is:

```
/usr/local/Extreme_
Networks/NetSight/appdata/InventoryMgr/
```

4. Click **OK**.

Changing Engine Settings

Use these steps if you need to change your ExtremeCloud IQ - Site Engine engine settings following your initial engine configuration.

Changing Basic Network Configuration

To change basic network configuration settings such as hostname and engine IP address, enter the following command at the engine CLI:

```
/usr/postinstall/dnetconfig
```

This starts the network configuration script and allows you to make the required changes. Reboot the engine for the new settings to take effect.

Changing SNMP Configuration

To change SNMP configuration settings such as system contact, system location, Trap Server, SNMP Trap Community String, SNMP User, SNMP Authentication, and SNMP Privacy credentials, enter the following command at the engine CLI:

```
/usr/postinstall/snmpconfig
```

This starts the SNMP configuration script and allows you to make the required changes.

Changing Date and Time Settings

To enable or disable NTP for engine date and time, or to manually set the date and time on the engine, enter the following command at the engine CLI:

```
/usr/postinstall/dateconfig
```

This starts the date and time configuration script and allows you to change the settings.

Upgrading ExtremeCloud IQ - Site Engine Engine Software

Upgrades to the ExtremeCloud IQ - Site Engine engine software are available on the Extreme Portal.

1. Download the Engine Image 64-bit upgrade file to your system.

To download an engine image:

1. Access the Extreme Portal at: <https://extremeportal.force.com/>.
 2. After entering your email address and password, you are on the Support page.
 3. Click the **Products** tab and select **ExtremeManagement**.
 4. Click **ExtremeManagement** in the right-panel.
 5. Select a version.
 6. Download the image and extract the file to a directory on your system.
2. Use FTP, SCP, or a shared mount point, to copy the upgrade file to the ExtremeCloud IQ - Site Engine engine.
 3. SSH to the engine.
 4. Cd to the directory where you downloaded the upgrade file.
 5. Change the permissions on the upgrade file by entering the following command:

```
chmod 755 NetSight_Suite_<version>_install.bin
```
 6. Run the install program by entering the following command:

```
./NetSight_Suite_<version>_install.bin
```

The upgrade automatically begins.

The ExtremeCloud IQ - Site Engine Server is restarted automatically when the upgrade is complete. Because your engine settings were migrated, you are not required to perform any configuration on the engine following the upgrade.

Reinstalling Engine Software

Use the procedure in this chapter to reinstall the engine software, in the event a software reinstall becomes necessary. Be aware this procedure reformats the hard drive and reinstalls all the engine software, the operating system, and all related Linux packages.

Connect a monitor and a USB keyboard to the engine prior to performing these steps.

1. Download the Engine Image 64-bit upgrade file to your system.

To download an engine image:

1. Access the Extreme Portal at: <https://extremeportal.force.com/>.
 2. After entering your email address and password, you are on the Support page.
 3. Click the **Products** tab and select **ExtremeManagement**.
 4. Click **ExtremeManagement** in the right-panel.
 5. Select a version.
 6. Download the image and extract the file to a directory on your system.
2. Insert the USB flash drive that came with the engine into the USB port on your system and note the drive letter it is assigned.
 3. Open a command prompt window and cd to the directory where you extracted the file.
 4. Type `make_disk.bat <drive letter>:.`
Note: Because the reinstall procedure reformats the drive, be sure you have specified the correct drive letter.
 5. Press [Enter].
The files are copied to the USB flash drive. When the copy is complete you see the message:
Successfully installed into <drive letter>: Press any key to continue.
 6. Remove the USB flash drive from your system.
 7. Insert the USB flash drive into a USB port on the engine (see [Front Panel Features](#)).
 8. Boot the engine from the USB drive using either of these two methods.

Method 1:

1. Press the power button, and then press F6 to go to the Boot Menu.
2. Select the USB drive on the menu.
3. The engine starts booting from the USB flash drive.
4. When the boot is complete, the Engine Installation screen appears and the installation begins.

Method 2:

1. Press the power button, and then press F2 to go to the BIOS setup.
2. Use the arrow keys to navigate to the Boot Options menu.
3. Ensure that the USB flash drive is listed as Boot Option #1 at the top.
4. Save changes and exit.
5. The engine starts booting from the USB flash drive.
6. When the boot is complete, the Engine Installation screen appears and the installation begins.
9. After the installation completes, reboot the engine and remove the USB flash drive.
10. Proceed to [Configuration](#), and follow the instructions for configuring the engine.

Product Regulatory and Compliance Information

For complete regulatory compliance and safety information, refer to the document Intel® Server Products Product Safety and Regulatory Compliance, available at the following links:

https://www.intel.com/content/dam/support/us/en/documents/motherboards/server/sb/g23122003_safetyregulatory.pdf

<https://www.extremenetworks.com/support/documentation/>

Federal Communications Commission (FCC) Notice

This product has been tested and found to comply with the limits for a class A digital device, pursuant to Part 15 of the FCC rules. These limits are designed to provide reasonable protection against harmful interference when the equipment is operated in a commercial environment. This product uses, generates, and can radiate radio frequency energy and if not installed and used in accordance with the manufacturer's instruction manual, may cause harmful interference to radio communications. Operation of this product in a residential area is likely to cause harmful interference, in which case you will be required to correct the interference at your own expense.

This device complies with Part 15 of the FCC rules. Operation is subject to the following two conditions: (1) this device may not cause harmful interference, and (2) this device must accept any interference received, including interference that may cause undesired operation.

Any changes or modifications not expressly approved by the grantee of this device could void the user's authority to operate the equipment. The customer is responsible for ensuring compliance of the modified product.

Intel Corporation
5200 N.E. Elam Young Parkway
Hillsboro, OR 97124 6497
Phone: 1 800 628 8686

Industry Canada, Class A

This Class A digital apparatus complies with Canadian ICES 003.

This digital apparatus does not exceed the Class A limits for radio noise emissions from digital apparatus set out in the interference causing equipment standard entitled “Digital Apparatus,” ICES 003 of the Canadian Department of Communications.

Cet appareil numérique respecte les limites bruits radioélectriques applicables aux appareils numériques de Classe A prescrites dans la norme sur le matériel brouilleur: “Appareils Numériques”, NMB 003 édictée par le Ministre Canadian des Communications.

CE Notice

This product has been determined to be in compliance with 2006/95/EC (Low Voltage Directive), 2004/108/EC (EMC Directive).

VCCI Notice

This is a class A product based on the standard of the Voluntary Control Council for Interference by Information Technology Equipment (VCCI). If this equipment is used in a domestic environment, radio disturbance may arise. When such trouble occurs, the user may be required to take corrective actions.

この装置は、情報処理装置等電波障害自主規制協議会（VCCI）の基準に基づくクラスA情報技術装置です。この装置を家庭環境で使用すると電波妨害を引き起こすことがあります。この場合には使用者が適切な対策を講ずるよう要求されることがあります。

BSMI EMC Statement — Taiwan

This is a class A product. In a domestic environment this product may cause radio interference in which case the user may be required to take adequate

measures.

警告使用者：

這是甲類的資訊產品，在居住的環境中使用時，可能會造成射頻干擾，在這種情況下，使用者會被要求採取某些適當的對策。

Hazardous Substances

This product complies with the requirements of Directive 2011/65/EU of the European Parliament and of the Council of 8 June 2011 on the restriction of the use of certain hazardous substances in electrical and electronic equipment.

European Waste Electrical and Electronic Equipment (WEEE) Notice



In accordance with Directive 2012/19/EU of the European Parliament on waste electrical and electronic equipment (WEEE):

1. The symbol above indicates that separate collection of electrical and electronic equipment is required.
2. When this product has reached the end of its serviceable life, it cannot be disposed of as unsorted municipal waste. It must be collected and treated separately.
3. It has been determined by the European Parliament that there are potential negative effects on the environment and human health as a result of the presence of hazardous substances in electrical and electronic equipment.
4. It is the users' responsibility to utilize the available collection system to ensure WEEE is properly treated.

For information about the available collection system, please contact Extreme Customer Support at +353 61 705500 (Ireland).

产品说明书附件 Supplement to Product Instructions

部件名称 (Parts)	有毒有害物质或元素 (Hazardous Substance)					
	铅 (Pb)	汞 (Hg)	镉 (Cd)	六价铬 (Cr ⁶⁺)	多溴联苯 (PBB)	多溴二苯醚 (PBDE)
金属部件 (Metal Parts)	×	○	○	○	○	○
电路模块 (Circuit Modules)	×	○	○	○	○	○
电缆及电缆组件 (Cables & Cable Assemblies)	×	○	○	○	○	○
塑料和聚合物部件 (Plastic and Polymeric parts)	○	○	○	○	○	○
电路开关 (Circuit Breakers)	○	○	○	○	○	○

○： 表示该有毒有害物质在该部件所有均质材料中的含量均在 SJ/T 11363-2006 标准规定的限量要求以下。
Indicates that the concentration of the hazardous substance in all homogeneous materials in the parts is below the relevant threshold of the SJ/T 11363-2006 standard.

×： 表示该有毒有害物质至少在该部件的某一均质材料中的含量超出SJ/T 11363-2006 标准规定的限量要求。
Indicates that the concentration of the hazardous substance of at least one of all homogeneous materials in the parts is above the relevant threshold of the SJ/T 11363-2006 standard.

对销售之日的所售产品, 本表显示。
极进供应链的电子信息产品可能包含这些物质。注意: 在所售产品中可能会也可能不会含有所有所列的部件。
This table shows where these substances may be found in the supply chain of Extreme's electronic information products, as of the date of sale of the enclosed product. Note that some of the component types listed above may or may not be a part of the enclosed product.

除非另外特别的标注, 此标志为针对所涉及产品的环保使用期标志。某些零部件会有一个不同的环保使用期(例如, 电池单元模块)贴在其产品上。
此环保使用期限只适用于产品是在产品手册中所规定的条件下工作。
The Environmentally Friendly Use Period (EFUP) for all enclosed products and their parts are per the symbol shown here, unless otherwise marked. Certain parts may have a different EFUP (for example, battery modules) and so are marked to reflect such. The Environmentally Friendly Use Period is valid only when the product is operated under the conditions defined in the product manual.



Declaration of Conformity

Application of Council Directive(s): 2004/108/EC
2006/95/EC
2011/65/EU

Manufacturer's Name: Extreme Networks, Inc.
145 Rio Robles

Manufacturer's Address: San Jose, CA 95134
USA

European Representative Name: Extreme Networks Limited
Nexus House, Newbury Business Park

European Representative Address: London Road, Newbury
Berkshire RG14 2PZ, England

Conformance to Directive
(s)/Product Standards: EC Directive 2004/108/EC EN55022:2006
A1:2007 EN 55024:1998 A1:2001 A2:2003 EN
61000-3-2:2006 A1:2009 A2:2009 EN 61000-
3-3:2008 EC Directive 2006/95/EC EN
60950-1:2006 A1:2009 EN 60825-1:2007 EN
60825-2:2004 A1:2007 EC Directive
2011/65/EU

Equipment Type/Environment: Information Technology Equipment, for use in a
Commercial or Light Industrial Environment.

The object of the declaration described above is in conformity with Directive 2011/65/EU of the European Parliament and of the Council of 8 June 2011 on the restriction of the use of certain hazardous substances in electrical and electronic equipment.