

**NORTEL MAGELLAN**



**Passport 4400**  
**Supplement for R2.0.3**

Release Name: PR2000039  
Software Release Date: July 08, 1998  
Previous Release: R2.0.2  
Version: G3 load, PR2000039  
Distribution: General Availability

©1998 Nortel Micom

All rights reserved

\*Magellan is a trademark of Northern Telecom  
Printed in Canada



---

## TABLE OF CONTENTS

INTRODUCTION .....	10
DOCUMENTATION.....	10
UPGRADING FROM RELEASE R1.X TO RELEASE R2.0.....	11
SERVICES INTERWORKING NETWORK ARCHITECTURE .....	11
Release 1.X Network Architecture.....	11
Release 2.0.X Network Architecture.....	11
NMS AND PASSPORT SOFTWARE COMPATIBILITY .....	12
REQUIRED HARDWARE RELEASE LEVELS.....	13
SOFTWARE INSTALLATION PROCEDURE.....	14
FEATURES.....	16
SOFTWARE PACKAGES.....	16
PASSPORT 4400 FEATURES .....	16
Services Interworking with Passport .....	16
WAN Link Interfaces.....	16
Frame Relay and HTDS Access Interfaces .....	17
ISDN Main Link and Dial Backup.....	17
HTDS Transparent Data Service.....	17
Network Management .....	17
Legacy Data Module.....	17
Code and Configuration Rollback .....	17
Frame Relay DCE.....	18
Voice Interfaces.....	18
FAX Demodulation.....	18
Ethernet LAN and Routing .....	18
RELEASE CONSIDERATIONS .....	20
GENERAL CONSIDERATIONS .....	20
Network Requirements .....	20
Installation/Deployment .....	21
Passport 4400 WAN link Connection to Passport.....	21
16MB DRAM Installation Instruction .....	32
Runtime TFTP Software Download.....	34
Boot Menu Software Installation .....	34
Passport 4400 Link Frame Size Value.....	36
PANL Frame Relay Tunneling .....	36
Voice Call Transfer Priority .....	36
Passport 4400 Voice over Passport ATM Trunks.....	36
Passport Trunk Transmit Queue Starvation.....	37
Traffic Prioritization.....	37

---

---

Command Line Interface (CLI) .....	37
PC based NetTool.....	38
Statistics/Accounting .....	38
WAN Link Physical Interface.....	38
WAN Link Cable Maximum Length.....	39
WAN Link High Speed Clocking .....	39
Speech Activity Detection.....	39
Incorrect Power Failure Trap .....	39
TAM/EAM Unsupported Ports Configurable .....	39
NETWORK MANAGEMENT CONSIDERATIONS .....	42
NMS Connectivity to Passport 4400 .....	42
ENGINEERING CONSIDERATIONS .....	43
Passport ILS Core Router Fanout .....	43
Maximum Voice Channels per Passport 4400.....	43
Bandwidth and Throughput Required per Voice SPVC.....	43
KNOWN OUTSTANDING PROBLEMS .....	44
SOFTWARE UPDATE ITEMS .....	48
ITEMS RESOLVED IN THE R2.0.3 RELEASE (RAISED IN R2.0.2).....	48



List of Tables

TABLE 1 HARDWARE LIST ..... 13



---

## List of Figures

FIGURE 1	END-TO-END MANAGEMENT IP CONNECTIVITY EXAMPLE .....	26
FIGURE 2	BACK VIEW OF PASSPORT 4400 .....	33
FIGURE 3	TOP VIEW OF PASSPORT 4400 .....	33





---

# Chapter 1

---

## Introduction

This document provides information for the Passport 4400 software release package for the R2.0.3 (PR2000039) software level, available to all customers.

Please refer to Chapter 2 for details on the current status of various features and enhancements.

### Documentation

The following relevant Passport 4400 documents are available on the Nortel Micom World Wide Web at URL

<http://199.30.19.9/Engineers/ISO/projects/mpa/a02a/manuals/nav.html> and Passport NTPs are available on the Nortel Magellan World Wide Web at URL <http://47.208.136.61/ntp/> and should be referenced in the order listed:

NTP 241-7001-210, Magellan Passport Access Network Link User Guide  
NTP 800-1952-20, Passport 4400 Operators Manual  
NTP 241-7001-803, Passport IP Routing User Guide  
NTP 241-7001-804, Passport IPX Routing User Guide  
NTP 241-7001-802, Passport Frame Relay DTE Access User Guide  
NTP 241-7001-300, Passport Frame Relay UNI User Guide  
NTP 800-1951-20, Passport 4400 Hardware Installation Manual  
NTP 800-1950-20, Passport 4400 CLI Reference  
NTP 241-7001-410, Passport Voice Networking User Guide  
NTP 241-7001-180, Passport Remote Server Agent User Guide  
NTP 241-6001-106, NMS Magellan Access Configuration Server Installation  
and Administration Guide  
NTP 800-1943-20, Passport 4400 Analog Voice Modules User Guide  
NTP 800-1944-20, Passport 4400 T1/E1 and Digital Voice Manual  
NTP 241-7001-340, Passport Frame Relay ISDN Switched Access User  
Guide

These NTP documents are orderable items, which are available on CD-ROM media also containing Passport 4400 software and MIBS. This documentation can then be installed on a workstation and accessed on-line.

---

## Upgrading from Release R1.X to Release R2.0

From a configuration data standpoint, a R1.X to R2.0 migration path is not supported. Installation of R2.0 boot and application software on a Passport 4400 running R1.X boot and application software requires a 'cold reset' which will restore the configuration data to factory default settings.

Also, a number of R1.X functions and network architecture elements are no longer supported, and the R2.0.3 services interworking networking architecture is such that there are a number of deployment pre-requisites and considerations. Please refer to Chapter 3 for deployment recommendations.

## Services Interworking Network Architecture

### Release 1.X Network Architecture

R1.X Passport 4400 'branch-to-branch' services were considered 'overlay'. The Passport network provided the Frame Relay UNI SVC service, and when used in conjunction with the FRUNI Multi-Media Traffic Classes (MMTC) feature, different classes of service could be signaled across the WAN, for various types of traffic, e.g. Voice, LAN, HTDS, Frame Relay.

In Release 1.X, the Passport 4400 units in the network could be configured to perform dedicated functions such as:

- Network Management Core Router (NMCR) (provides management IP connectivity between NMS workstations and Passport 4400 branches.)
- User Core Router (UCR) (provides branch LAN routing function.)
- Network Address Server (NAS) (provides voice DN to DNA translation services.)

### Release 2.0.X Network Architecture

In this release, the Magellan Passport Access Network Link (PANL) uses its own proprietary frame relay based protocol to accommodate the signaling, transport and traffic management requirements for Passport 4400. The Passport Frame Relay UNI MMTC capability remains a requirement. The PANL Switched Permanent Virtual Circuit (SPVC) now provides service interworking capabilities between the Passport network and the Passport 4400 branches, and makes use of the Passport Frame Relay Multiple Egress Emission Priorities. PANL supports multiple link types, including leased line, ISDN (main link or backup), and Frame Relay. For more information please read NTP 241-7001-210, *Magellan Passport Access Network Link User Guide*.

In this release, the R1.X Network Management Core Router, User Core Router, and Network Address Server functions are now provided by the Passport network as follows:

- Passport ILS now provides Network Management and User Core Router functions. SPVC's originating from Passport 4400 branches are terminated on the Passport Frame Relay UNI service, which coexists and must be logically associated with the Passport ILS Frame Relay DTE service. Please refer to NTP 241-7001-803, *Passport IP Routing Guide*, NTP 241-7001-802, *Passport Frame Relay DTE User Guide*, NTP 241-7001-300, *Passport Frame Relay UNI User Guide*.
- The Passport Voice Networking Call Server (VNCS ) is a database that supplies routing information required during voice call establishment, and interacts with the Remote Server Agent (RSA), which can reside anywhere in the network, and is an entry point for access to the VNCS. As all DN to DNA translations are dynamic, the manual cache entry capability supported in R1.X is not supported in this release. Although Passport 4400 and Passport Voice interworking is not supported in this release, the above elements are required for Passport 4400 voice 'overlay' as well. Please refer to NTP 241-7001-410, *Passport Voice Networking User Guide*, and NTP 241-7001-180, *Passport Remote Server Agent User Guide*.

Please refer to Chapter 3 for R2.0.3 deployment recommendations.

## NMS and Passport Software Compatibility

The following table provides the current Passport 4400 product release levels and reflects the minimum NMS and Passport software levels required for compatibility.

4400	R2.0.3 (PR2000039)
NMS	10.7
Passport	P4.2.6 (BD02S6D)

NMS functionality to support this release of Passport 4400 software is available at this time. It includes NMS Surveillance and Configuration capabilities. Please reference the NTP 241-6001-106, *NMS Magellan Access Configuration Server Installation and Administration Guide* for further detailed information. Passport Release P4.2.3 provides support for Passport 4400 Release 2.0.2. Please refer to the appropriate Passport release supplement for further information.

## Required Hardware Release Levels

All Passport 4400 cards are required to be of the following Card Codes and Revision Levels to use any of the Passport 4400 R2.0.3 features.

<b>Card Name</b>	<b>Card Code</b>	<b>Rev. Level</b>
Passport 4400 Ethernet Base Module	NTAU01AA	09
WAN Serial Interface Module	NTAU03AA	05
Turbo Universal Voice Module, Dual Channel	NTAU50AA	02
Enhanced E&M Voice I/F Module	NTAY09AA	02
Enhanced FXO Voice I/F Module	NTAY11AA	02
Enhanced FXO-European Voice I/F Module	NTLN23AA	01
Enhanced FXS Voice I/F Module	NTAY12AA	01
T1 Module - Dual Port	NTAY14AA	05
E1 Module - Dual Port	NTAY16AA	06
Digital Voice Expansion - 12 Channel	NTAY18AA	02
Digital Voice Module - Single	NTAU60AA	01
Clear Voice Module - Single Channel	NTAU61AA	02
Clear Voice Module (European) - Single Channel	NTLN21AA	--
Clear Voice Module - Dual Channel	NTAU62AA	02
Clear Voice Module (European) - Dual Channel	NTLN22AA	--
T1 CSU/DSU	NTAU04AA	04
56 K CSU/DSU	NTAU02AA	05
ISDN U Interface Module	NTAU05AA	05
ISDN S/T Interface Module	NTAU06AA	05
4-Port Serial Expansion	NTAU83AA	04
8-Port Serial Expansion	NTAU74AA	04

**Table 1 Hardware List**

## Software Installation Procedure

Passport 4400's is shipped from the factory with the current software version and associated boot code installed. The Passport 4400 application software, boot code, and latest MIB files in the formats below are available on CD as an orderable item. Installation is accomplished via 'runtime download' procedure (requires TFTP server) described in NTP 800-1952-20, Passport 4400 Operations Manual, or the 'boot menu' procedure (requires FTP server) described in Chapter 3.

- bt2000025.bld (Passport 4400 boot rom code)
- PR2000039.bld (Passport 4400 application code)
- PR2000039.tar (Passport 4400 application code for mibs)
- RS2000039.ps and .pdf (Passport 4400 Supplement for R2.0.3)

The Passport 4400 Application software, a single file supplied in a ".bld" format, consists of seven executable images.

Ethernet Base Module code that runs on the 68040 processor  
DSP code for CVM modules  
DSP code for TUVVM modules  
DVM code for the DVM's installed on the TAM, EAM and DVEM cards  
TAM code for the 80186 CPU on the TAM card  
EAM code for the 80186 CPU on the EAM card



# Chapter 2

---

## Features

### Software Packages

The following software applications are included in this Release:

Ethernet Base Module Boot Code: bt2000025.bld  
Application Software: PR2000039.bld  
ClearVoice Module (CVM) DSP Code: 2261.x7k  
Turbo Universal Voice Module (TUVM) Code: 2263.x7k  
Digital Voice Module (DVM) Code: 2262.x7k  
T1 Digital Voice Module (TAM): 909-2268-DX4  
E1 Digital Voice Module (EAM): 909-2269-CX4

### Passport 4400 Features

This section describes features and interfaces cards introduced by Passport 4400 software release, R2.0.3.

#### Services Interworking with Passport

The Magellan Passport Access Network Link (PANL) service supports interworking of Passport 4400 LAN, Frame Relay, and Voice services with Passport LAN Frame Relay and Voice overlay services. LAN and Frame Relay Interworking is made possible through Switched Permanent Virtual Circuit (SPVC) Support, and A-bit handling. Please refer to Chapter 1 for additional information.

#### WAN Link Interfaces

- Integrated ISDN Terminal Adapter (U and S/T versions)
- T1/56K Integrated CSU/DSU
- Base Module Port 2



---

## Frame Relay and HTDS Access Interfaces

- 4-Port Serial Expansion Card
- 8-Port Serial Expansion Card
- Base Module Port 1

## ISDN Main Link and Dial Backup

The Magellan Passport Access Network Link (PANL) can operate over ISDN full time as the primary WAN connection, or as backup, active only upon main link failure.

## HTDS Transparent Data Service

The HDLC Transparent Data Service provides end to end connectivity for HDLC based applications. This permits the tunneling of legacy protocols over the WAN. Two operational modes are supported, cut-through and store-and-forward.

## Network Management

NMS configuration and surveillance modes of operation are supported with version 10.7. You no longer have to depend on the Command Line Interface (CLI) for all configuration and software download functionality. All future references to NMS in this document refer to the management workstation upon which the NMS applications are installed. Please refer to the NTP 241-6001-106, *NMS Magellan Access Configuration Server Installation and Administration Guide* for further details.

## Legacy Data Module

The Legacy Data Module provides end to end connectivity for asynchronous, X.25 LAPB, SNA and Token Ring applications. At the time of this release, LDM services are supported except BTDS and HTDS.

## Code and Configuration Rollback

Code and Configuration Rollback allows users to make temporary changes that will be in effect for a 5-minute time period following an activation. Unless committed, the Passport 4400 will automatically revert back to last operating application code and/or configuration.

### **Frame Relay DCE**

The Frame Relay DCE feature enables Frame Relay DTE connectivity between 4400 via the Passport wide area network (WAN). The Frame Relay DCE physical interface is provided via port 1 (residing on the Ethernet Base Module) on the rear panel, or serial expansion interface module. Interfaces types V.11/X.21, V.35, RS-232, and V.36 are available by using the appropriate cable type. Supported link management interfaces (LMI) include DTE CCITT (ITU) Q933 Annex A, ANSI T1.617D (Annex D), Rev 1 and None.

### **Voice Interfaces**

The following voice interfaces are supported:

- Enhanced E&M type I, II, IV, V
- Enhanced FXO
- Enhanced FXS
- T1
- E1

### **FAX Demodulation**

- Group 3

### **Ethernet LAN and Routing**

- IP (RIP v1)
- IPX (RIP v1)
- Transparent Bridging (IEEE 802.1)



# Chapter 3

---

## Release Considerations

This chapter highlights considerations relevant to this release of Passport 4400 software.

### General Considerations

#### Network Requirements

For first time deployment of Passport 4400 R2.0.3 in an existing Passport network, there are a number of prerequisites to installation. Release R1.X to R2.0 network migration is discussed later in this chapter. Please refer to the documentation references provided in Chapter 1 for more information. Below is a high level description of Passport 4400 deployment elements.

#### Deployment Planning

Considerations include engineering, network addressing, fan-out, link types, link speeds, redundancy, access service.

#### Passport ILS Network Management Core Router (NMCR)

Deployment considerations include proximity and connectivity to NMS platforms, redundancy, addressing.

#### Voice Elements Deployment

For voice services, the location and quantity of Passport network elements such as RSA must be determined. As well, VNCS must be configured in the network to support voice call setup. The DNA provided when configuring the Passport 4400 RSI must reside on the RSA on Passport

#### Passport PM2 Function Processor

All Passport FP's which will provide the PANL service, and terminate Passport 4400 Switched Permanent Virtual Circuits (SPVC's) must be upgraded to PM2.

---

## **Passport Network Migration**

The Passport network must be migrated to Passport Release level P4.2.6 or greater to support PANL and other elements necessary for Passport 4400 deployment and services interworking.

## **NMS Platform Deployment**

The NMS platform must be installed, and configured to support the TFTP server function for software download, and telnet access to Passport 4400 via TCP/IP. Please refer to the NMS Release Notes for further details.

## **Installation/Deployment**

### **Passport 4400 WAN link Connection to Passport**

Within the Passport network, PANL must be configured on Passport V.35, V.11, DS1, E1, DS1C, E1C Function Processors supporting Passport 4400 WAN links. The minimum Passport Release level required for Passport 4400 connectivity is P4.2.6. In addition to the PANL service, the 'frame relay multi-media traffic class' service must also be configured on FP's to which Passport 4400's are to be connected. Consult NTP 241-7001-210, Magellan Passport Access Network Link User Guide for further information.

If the Passport 4400 is co-located with Passport, either cable NTAU30AA (V.35 50-pin to DB-15 male) or NTAU26AA (V.11 50-Pin to DB-15 male) can be used to connect the PASSPORT 4400 WAN link directly to the Passport fan-out panel. If the PASSPORT 4400 is remote, the Telco must provide a facility with the appropriate V.35 or V.11 interface. In that case, cable NTAU20AA (50-pin to V.35 Male Winchester), or NTAU26AA (50-pin to DB-15 male) could be used. When the Passport 4400 WAN link cable is used in conjunction with a shielded extension cable to facilities or a co-located Passport fan-out panel, the maximum supported combined cable length is 50 feet.

### **Passport 4400 Remote Site Installation and Initial Configuration**

Passport 4400 units shipped from the factory are pre-loaded with R2.0.3 or later boot code and application software. The factory default configuration must be modified at the installation site to suit site and network requirements via the local operator console. Elements such as DNA prefix, node ID, customer ID, PANL attributes, SPVC to the FRUNI DNA on the Passport ILS NMCR must be configured on-site using CLI or the PC based NetTool. Once management IP connectivity has been achieved, further remote configuration is then possible.

Once the installed Passport 4400 is remotely accessible, if software is to be upgraded to a later version, a runtime TFTP download can be initiated via the local Command Line Interface (CLI). The software distribution function can be remotely initiated at the NMS workstation using the NMS configuration graphical user interface.

As an alternative to on-site configuration, the Passport 4400 units could be shipped from a customer marshalling site, after being pre-configured with site specific addresses, and installed cards. Consult NTP 800-1952-20, Passport 4400 Operators Manual for further information.

### **Configuring End-to-End Management IP Connectivity**

Prior to installation of the first Passport 4400 in a network, configuration of the Passport ILS NMCR, and the installation of a network management workstation (NMS) platform and TFTP server is a prerequisite. The NMCR function accomplished in previous releases by a dedicated Passport 4400 is no longer supported.

End-to-end management connectivity to branch Passport 4400's is achieved via the combination of a physical connection to the Magellan Passport Access Network Link (PANL) service running on the Passport Function Processor (FP) to which the branch 4400 is connected, the SPVC to the Passport Frame Relay UNI service provided by the Passport ILS NMCR, and the logical associations between these key elements. More information is provided below. Key physical and logical elements of management connectivity can be summarized as follows:

#### **Management Connectivity Physical Components**

- Passport 4400 R2.0.3 WAN link connection to Passport PM2 function processor supporting the PANL service.
- Passport Release P4.2.3 or greater backbone network (unless public frame relay tunneling option described later in this section is used).
- Passport ILS Network Management Core Router (NMCR), equipped with function processors for FRUNI, FRDTE and Ethernet IP services.
- Sun workstation to provide TFTP server for software download, telnet connectivity for access to branch Passport 4400 Command Line Interface (CLI) and site of Magellan Network Management System (NMS) software installation.

---

## Management Connectivity Logical Components

- Switched Permanent Virtual Circuit (SPVC) from Passport 4400 virtual port 4 to the Passport ILS NMCR FRUNI service.
- Static Route from Passport 4400 virtual port 4 to the management IP LAN subnet connected to a Passport Ethernet port.
- RIP interface associated with the Passport ILS NMCR FRDTE IP Protocol Port.
- Passport ILS NMCR FRUNI DLCI with Direct Call to Passport 4400 remote prefixDNA and DLCI.
- Passport FRUNI to FRDTE virtual (or physical) hairpin connection.
- Static Route definition on the NMS workstation, associating the Passport 4400 branch management IP address assignments with the correct workstation LAN interface.

SPVC's are configured to originate from each branch Passport 4400, and terminate on a Passport Frame Relay DCE (FRUNI) Data Link connection Identifier (DLCI) resident on the Passport ILS NMCR. A physical or virtual Frame Relay hairpin is required on the Passport ILS NMCR to associate the Passport ILS FRDTE interface with the FRUNI service which terminates the SPVC's from the Passport 4400 branches. A distinct IP subnet is required for the FRDTE interface. It is recommended that the Passport ILS FRDTE protocol port be configured for passive rip with silence flag enabled.

An Ethernet or Frame Relay interface on the Passport ILS NMCR, or elsewhere in the network, is either connected to the same customer management LAN segment as the NMS workstation(s), or directly to an Ethernet or Frame Relay interface on an NMS workstation. The management subnet must reside on a subnet distinct from the FRDTE subnet supporting SPVC's to branch Passport 4400's. It is recommended that RIP with silence flag be enabled on the Passport ILS protocol port supporting connectivity to the management subnet. The NMS workstation must have static route(s) configured to ensure that Passport 4400 destination IP addresses are associated with the correct workstation Ethernet port. This is particularly important in cases where the workstation is equipped with multiple interfaces.

### Configuring Branch Passport 4400's

After the NMCR is operational, branch Passport 4400's's running factory default software can subsequently be installed and configured for NMS management, an unique name, and a pointer to the SNMP host workstation(s) (to which traps will be directed to). All branch 4400's supported by a Passport ILS NMCR share a common logical subnet on virtual port 4, that is, each branch Passport 4400 must

have an IP address within the management subnet configured on virtual port 4 with an SPVC to the NMCR FRUNI DNA defined. It is strongly recommended that for network management traffic, IP routing with passive RIP be configured on the branch Passport 4400 virtual port 4, with a static route to the management subnet. Static routes are recommended to reduce broadcast traffic in the network. Inverse ARP on interface 4 is also recommended. For additional information, consult NTP 800-1952-20, Passport 4400 Operators Manual.

### **Configuring the Passport ILS User Core Router (UCR)**

The Passport ILS User Core Router (UCR) is used to route and concentrate user LAN traffic (IP and IPX) between branch Passport 4400's. The UCR function accomplished in previous releases by a dedicated Passport 4400 is no longer supported.

Prior to implementing branch LAN services on Passport 4400's in a network, configuration of the Passport ILS UCR is a prerequisite. Branch LAN routing between branch Passport 4400's is achieved via the combination of a physical connection to the PANL service running on the Passport Function Processor (FP) to which the branch 4400 is connected, the SPVC to the Passport Frame Relay UNI service provided by the Passport ILS UCR, and the logical associations between these key elements, which include:

#### **Branch LAN Routing Physical Components**

- Passport 4400 R2.0.3 WAN link connection to Passport PM2 function processor supporting the PANL service.
- Passport Release P4.2.6 or greater backbone network (unless public frame relay tunneling option described later in this section is used).
- Passport ILS User Core Router (UCR), equipped with function processors for FRUNI, FRDTE

#### **Branch LAN Routing Logical Components**

- Switched Permanent Virtual Circuit (SPVC) from Passport 4400 virtual port 2 (or other virtual port if using traffic management capabilities to implement IP prioritization) to the Passport ILS NMCR FRUNI service..
- Passport ILS UCR FRUNI DLCI with Direct Call to Passport 4400 remote prefixDNA and DLCI.
- Passport FRUNI to FRDTE virtual (or physical) hairpin connection.



---

The configuration of Passport ILS as UCR versus NMCR is very similar, except that the Passport ILS remote groups must be provisioned below the FRDTE component and associated with multiple protocol ports and IP subnets (one per branch Passport 4400). In other words, the number of IP subnets and/or IPX network numbers are equal to the number of Passport 4400's with interconnected LAN's. Also, a Passport ILS Ethernet FP is not a UCR requirement unless the UCR is also the means of corporate LAN or server access. On the branch Passport 4400, virtual port 2 is configured with an IP address with RIP enabled.

Switched Permanent Virtual Circuits (SPVC's) are configured to originate from each branch Passport 4400 virtual port 2, and terminate on a Passport Frame Relay DCE (FRUNI) Data Link Connection Identifier (DLCI) resident on the Passport ILS UCR. A physical or virtual Frame Relay hairpin is required on the Passport ILS NMCR to associate the Passport ILS FRDTE interface with the FRUNI service which terminates the SPVC's from the Passport 4400 branches. A distinct IP subnet is required for the FRDTE interface. It is recommended that the Passport ILS FRDTE protocol port be configured for passive rip with silence flag enabled.

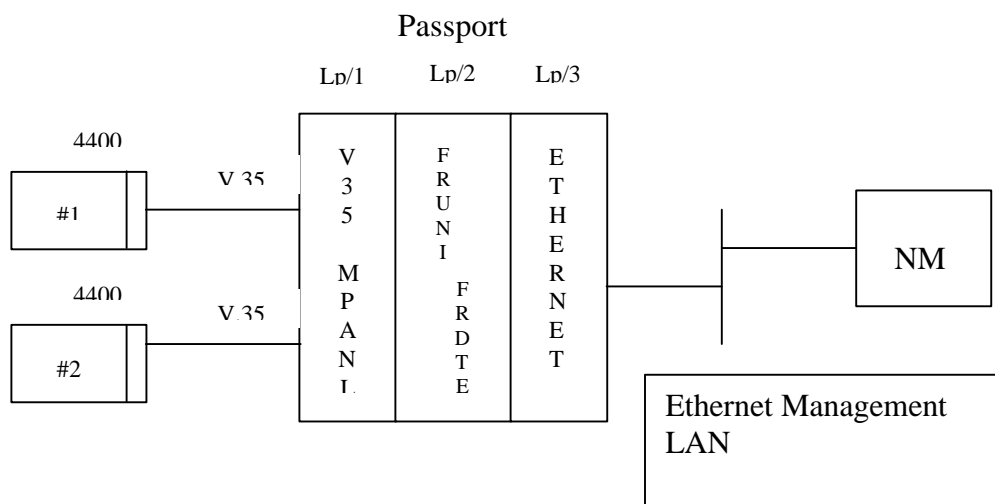
If LAN services are not implemented at branch locations, the Passport ILS UCR is not required. For additional information, Consult NTP 800-1952-20, Passport 4400 Operators Manual.

### **Configuring Voice Services**

The Network Address Server (NAS) function provided in Release 1.X is no longer supported. The Passport Voice Networking Call Server (VNCS ) is a database that supplies routing information required during voice call establishment, and interacts with the Passport Remote Server Agent (RSA), which can reside anywhere in the network, and is an entry point for access to the VNCS. The Passport 4400 requires RSI, and an MSM Profile. Although Passport 4400 and Passport Voice interworking is not supported in this release, the above elements are required for Passport 4400 to Passport 4400 voice 'overlay' as well. Please refer to NTP 241-7001-410, Passport Voice Networking User Guide, and NTP 241-7001-180, Passport Remote Server Agent User Guide.

## End-to-End Management IP Connectivity Configuration Example

In this example, for the purposes of simplification, Passport PANL and Passport ILS services are provided by a single Passport. No LAN routing protocols are implemented (the Passport with PANL Service providing WAN link connectivity to 4400 and the Passport ILS providing NMCR functions could be separate as well, with RIP, OSPF and export policies implemented). The management subnet 10.10.10.0 has been assigned for both Passport 4400's, and the ILS FRDTE protocol port for WAN management purposes. The subnet 10.10.11.0 has been assigned to the ILS Ethernet protocol port.



**Figure 1 End-to-End Management IP Connectivity Example**

Passport Software Configuration Definition:

```
>set sw avl base_BD02S3D, wanDte_BD02S3D, ip_BD02S3D,
  frameRelay_BD02S3D, networking_BD02S3D
```

```
>add sw lpt/CP
>set sw lpt/CP featureList callServer
>set lp/0 LogicalProcessorType sw lpt/CP
```

```
>add sw lpt/mpanl
>set sw lpt/mpanl featureList mpaNetworkLink, frameRelayUniPvcSvc
>set sh card/1 cardtype v35
>add lp/1
>set lp/1 maincard sh card/1
>set lp/1 LogicalProcessorType sw lpt/mpanl
```

---

```
>add sw lpt/framerelayhairpin
>set sw lpt/framerelayhairpin featureList frameRelayDTE, frameRelayUni,
  frsVirtualFramer, ip
>set shelf card/2 cardType v35
>add lp/2
>set lp/2 maincard sh card/2
>set lp/2 LogicalProcessorType sw lpt/framerelayhairpin

>add sw lpt/lan
>set sw lpt/lan featureList ip
>set shelf card/3 cardType 6pEth10BaseT
>add lp/3
>set lp/3 maincard sh card/3
>set lp/3 LogicalProcessorType sw lpt/lan

>ch prov
>act prov
>conf prov
```

**Passport Components Definition:**

```
>add CR
>add CR npi/x121
>add CR npi/X121 dna/302102
>set CR npi/X121 dna/302102 moduleId 1789

>add mpanl/1
>add lp/1 v35/0
>add mpanl/1 framer
>set mpanl/1 framer interfaceName lp/1 v35/0
>add mpanl/2
>add lp/1 v35/1
>add mpanl/2 framer
>set mpanl/2 framer interfaceName lp/1 v35/1

>add fruni/1
>set fruni/1 dna dna 30210217890200
>del fruni/1 framer
>add fruni/1 vframer
>set fruni/1 vframer lp lp/2
>add fruni/1dlci/100
>add fruni/1dlci/200
>set fruni/1 dlci/100 dc remoteDlci 16
>set fruni/1 dlci/200 dc remoteDlci 16
```

```
>set fruni/1 dlsi/100 dc type permanentSlave
>set fruni/1 dlsi/200 dc type permanentSlave
>set fruni/1 dlsi/100 dc remoteDna 30210217895101
>set fruni/1 dlsi/200 dc remoteDna 30210217896101

>add vr/1
>add vr/1 ip
>add vr/1 pp/NMCR
>add vr/1 pp/NMCR ipport
>add vr/1 pp/NMCR ipport ipLogicalinterface/10.10.10.3
>set vr/1 pp/NMCR ipport ipLogicalinterface/10.10.10.3 broadcast
  10.10.10.255, netmask 255.255.255.0
>add frdte/1
>set frdte/1 acceptundefinedlci disabled
>del frdte/1 framer
>add frdte/1 vframer
>set frdte/1 vframer lp lp/2, vof fruni/1 vframer
>add frdte/1 staticDlci/100
>add frdte/1 staticDlci/200
>set frdte/1 rg/1 linkToFrDteDlci frdte/1 stdlci/100, frdte/1 stdlci/200
>set vr/1 pp/NMCR LinkToMedia frdte/1 rg/1
>add vr/1 pp/NMS
>add vr/1 pp/NMS ipport
>add vr/1 pp/NMS ipport iplogicalinterface/10.10.11.2
>set vr/1 pp/NMS ipport iplogicalinterface/10.10.11.2 broadcast
  10.10.11.255 netmask 255.255.255.0
>add lan/1
>add lp/3 enet/0
>set lan/1 framer interface lp/3 enet/0
>set lan/1 linkToProtocolPort vr/1 pp/NMS

>ch prov
>act prov
>conf prov
>save prov
>commit prov
```

---

### Passport 4400 Configuration:

Define the Passport 4400 #1 prefixDNA and NodeId. The prefixDNA is used during call setup:

```
>def msm profile nodeId 5
  where '5' is the <nodeid> chosen for the two Passport 4400's in this
  example
```

In this example the dna defined adheres to the following addressing convention:

```
<dnic 4 digits>
<rid 2 digits>
<mid 4 digits>
<nodeId 1 digit>
```

```
>def msm pro dn "[x.121]30210217895"
```

Setup the routing information:

```
>add ip add en 4 nn.nn.nn.nn nn.nn.nn.nn nn.nn.nn.nn
>def ip ba pa da 4 fr
>def ip in 4 ip en
>def ip invarp 4 ip en
>add ip route 10.10.10.0 4 2 10.10.11.2 255.255.255.0
```

Setup the SPVC call originating from ifIndex 4:

```
>add fr port spvc 4 100 30210217890200 master createAndGo
>sa con up
>res sys cur res
```

Restart the 4400 and ensure that the PANL link comes up and that the 4400 registers its dna\_prefix for that Passport.

```
>d -p npi/x121 dna/*
```

Display the PANL SignalingMpanl component to ensure 4400 has exchanged its profile ID:

```
> d mpanl/x sigm
> d mpanl/x PrefixDna/*
```

Repeat for Passport 4400 #2, using a NodeId value of 6, and a DLCI value of 200.

### **Release R1.X to Release R2.0.3 Network Migration**

Passport 4400 Release R1.X configuration data is not forward compatible. As a result, in order to upgrade to R2.0 from previous R1.X releases, once new boot code and application software has been downloaded to the alternate code bank and committed, a 'cold reset' is required. This will restore the Passport 4400 to factory default settings.

Once the unit has been restored to factory default settings, as a minimum, new configuration data to establish management IP connectivity through the Passport ILS Network Management Core Router (NMCR) is required. Once this has been accomplished, user services can optionally be remotely configured.

To minimize the requirement for synchronized cutover of the Passport 4400 and the Passport Function Processor (FP) providing PANL service, the 'PANL over Frame Relay' option can be used in conjunction with a 'Frame Relay Tunneling to PANL hairpin'. This would facilitate 'branch by branch' cutover, and allows for fallback capability as Passport Frame Relay Switched Virtual Circuits (SVC's) on the edge Passport and Permanent Virtual Circuits (PVC's) to the 'FR to PANL hairpin' can coexist on a single Frame Relay UNI Function Processor port. Only the PANL service at the hairpin location would require a PM2 FP. For following is more information specific to the Passport:

#### **PANL Frame Relay Tunneling Physical Components**

- Passport 4400 R2.0.3 WAN link connection to Passport PM1 or PM2 Function Processor supporting the FRUNI service.
- Passport equipped with Release P4.2.3 or greater, and PM2 Function Processor at the PANL to FRUNI hairpin location.
- Passport ILS Network Management Core Router (NMCR), equipped with function processors for FRUNI, FRDTE

#### **PANL Frame Relay Tunneling Logical Components**

- Permanent Virtual Circuit (PVC) from Passport port supporting WAN link connection to branch Passport 4400 to FRUNI service at hairpin location.
- Passport ILS UCR FRUNI DLCI with Direct Call to Passport 4400 remote prefixDNA and DLCI.
- Passport FRUNI to FRDTE virtual (or physical) hairpin connection.

---

The 'edge Passport' Frame Relay UNI FP does not require an immediate PM2 upgrade. In this scenario, the following R2.0.3 deployment sequence in an existing R1.X network is possible:

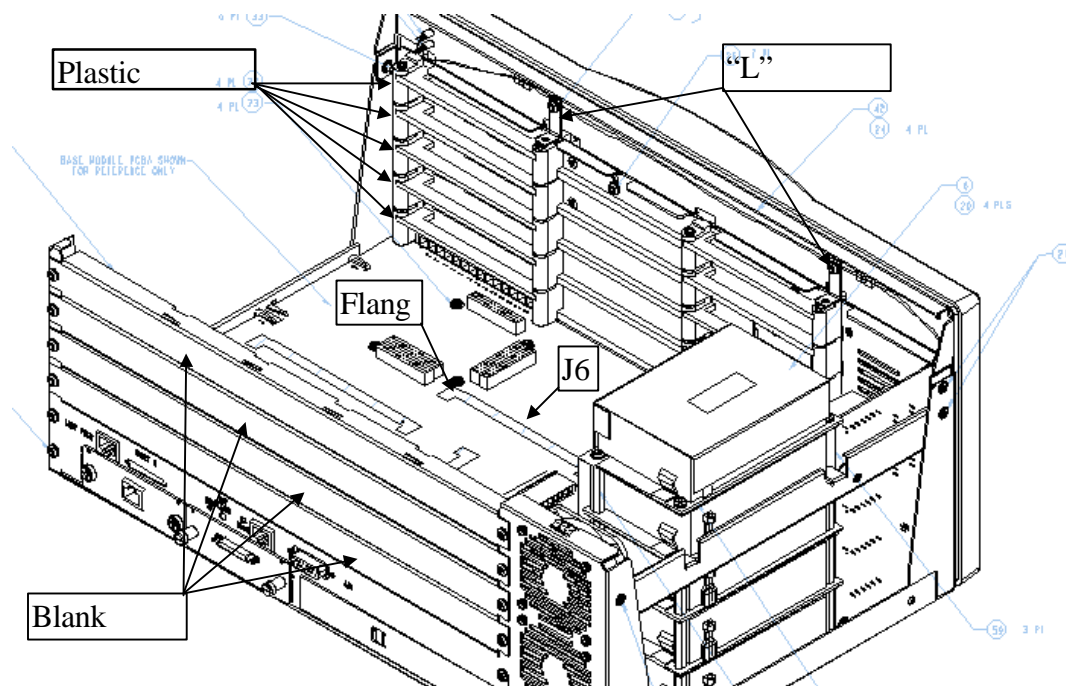
- 1 Plan Network Cutover (engineering, addressing, fanout, link speeds, redundancy)
- 2 Passport ILS Network Management Core Router (NMCR) deployment
- 3 Voice Elements deployment (RSA, VNCS)
- 4 PANL PM2 FP deployment at FR to PANL hairpin site
- 5 Passport network migration to P4.2.3 or greater
- 6 Passport Frame Relay PVC configuration (from existing edge passport FRUNI SVC service FP to FR to PANL hairpin)
- 7 Download Passport 4400 boot code and application software.
- 8 Commit Passport 4400 R2.0.3 application code bank and cold reset the unit.
- 9 On site, enter the Passport 4400 base configuration, (Identity, IP addresses, SPVC to Passport ILS Core Router
- 10 Migrate the edge Passport FP's to PM2 selected ports to PANL to support branch/edge passport cutover from Frame Relay Tunneling to PANL hairpin to PANL service on edge Passport.

## 16MB DRAM Installation Instruction

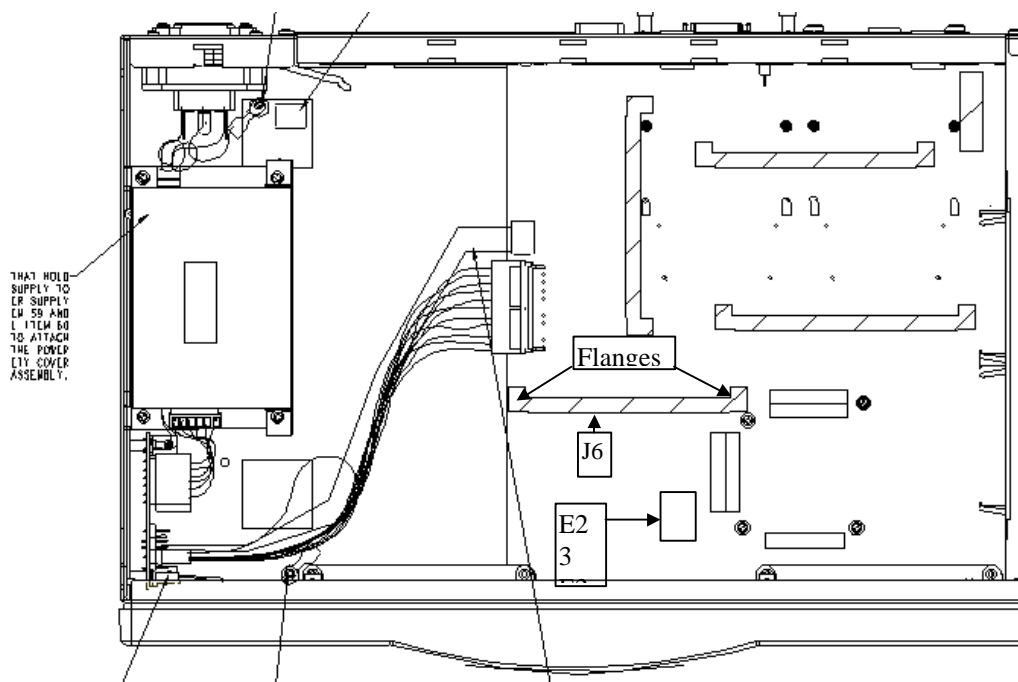
This instruction sheet is intended to guide you through the installation procedure for the 16 Megabyte DRAM SIMM (A0662646) into the Passport 4400 Ethernet Base Module (NTAU01AA).

STEP	INSTRUCTION
1	Disable and/or disconnect power source (AC or DC) to unit
2	Remove four (4) each cover screws [two (2) on each side] from unit
3	From the unit backside, slide cover back then lift cover off unit and put aside.
4	Remove screws affixing Expansion Module rear panels and Blank panels to chassis (if no Expansion modules are present, go to Step 6).
5	Remove plastic retainer(s) (see Figure 1) from chassis by lifting up then pulling out (Redundant units will require loosening front panel "L" brackets in order to remove top retainer). Carefully lift Expansion Module up and out ( <b>avoid excessive bending</b> ). Repeat this step until Base Module is uncovered.
6	Gently push J6 Connector Locking Flanges (see Figure 1 and 2) outward and remove existing (8 Megabyte) DRAM SIMM .
7	Install 16 Megabyte DRAM SIMM into J6 Connector
8	Re-install E21 and E23 (Bank Depth) Jumpers into 4M position (see Figure 2 for location). Both E21 and E23 have two jumpers each.
9	Re-assemble unit in reverse order from Step 5 (i.e. re-install Expansion Modules and plastic retainers, tighten "L" brackets if unit is Redundant, fasten rear and blank panels using screws, re-install unit cover and fasten to chassis sides using screws and reconnect and/or enable power source.





**Figure 2 Back View of Passport 4400**



**Figure 3 Top View of Passport 4400**

## Runtime TFTP Software Download

Software Download is part of the future Passport 4400 network management functionality, but can also be initiated from the Passport 4400 Command Line Interface (CLI). Installation is part of the standard Passport 4400 remote site installation and initial configuration process. Runtime TFTP software download requires TFTP configuration on the workstation, and a properly configured Passport ILS Network Management Core Router to provide management IP connectivity to Branch Passport 4400's.

### TFTP Download Server Setup

The download server is a TFTP daemon running on an NMS or other workstation. It must be configured to run in secure mode, and be provided with the name of the directory where the software resides. This directory should not contain anything other than the software for download, as everything in it is available to any user on the network who knows how to use TFTP. TFTP does not provide any password protection of the data. (for information on the TFTP server see "man up the TFTP server, do the following:

- 1 Login as root, and edit the /etc/inetd.conf file.
- 2 Find the line that starts with "#tftp dgram" and remove the comment character (#) from the beginning of the line.
- 3 Then change the directory specifier at the end of the line from "/MagellanPASSPORT 4400/software".
- 4 Reboot the workstation after saving the changes.

Note: If the line is already uncommented, it means the workstation is already serving as a TFTP server. You will either need to find another workstation, or use the directory already specified. If you choose to use the directory already specified, the files used by the other system must not conflict with the naming conventions for Magellan PASSPORT 4400 Software. We recommend using a different workstation to reduce the chance of conflicts.

### Boot Menu Software Installation

The Passport 4400 is equipped with a 'Boot Menu' and is intended for use only by Nortel manufacturing or customer support personnel for debugging purposes. An example of debug FTP software installation via the boot menu is provided below. A TFTP server is not required on the download host, however an FTP daemon or process must be available, since the file transfer uses FTP.

The target Passport 4400 and software distribution site must be connected to the same LAN subnet. Information shown within square brackets represents the boot menu defaults. Entering the information followed by a carriage return makes changes to the information within brackets (shown immediately after brackets). In cases where there is no information shown after the square brackets, then this information is not mandatory for software installation. Note that if a LAN gateway does NOT exist between the software distribution site and the target PASSPORT 4400, a period (.) is required after the 'gateway address' prompt.

### Installation

- 
1. View Current Software Status
  2. Install New Software
  3. Install New Bootrom
  4. Enter Debug Menu
  5. Exit (Autoboot)
- 

selection -> [1] 2

### Install New Software Image

---

Bank 2 has been selected.

.host name -> [wc]  
 .host address -> [198.48.9.34] 131.147.140.33  
 .file name -> [/tmp/oscar/mpa.bld]  
 /opt/Magellan/software/pr111001/pr111001.bld  
 .target name -> [mpa]  
 .target address -> [198.48.9.20:FFFFFF00] 131.147.140.34  
 .gateway address -> [] .  
 .user login -> [atlas] myuserid  
 .user password -> [atlas] mypassword

### Network Parameters

---

boot device : qu  
 processor number : 0  
 host name : wc  
 file name : /opt/MagellanMPA/software/pr111001/pr111001.bld  
 inet on ethernet (e) : 131.147.140.34:ffffffe0  
 host inet (h) : 131.147.140.33  
 user (u) : myuserid  
 ftp password (pw) : mypassword  
 flags (f) : 0x0  
 target name (tn) : mpa

---

---

Proceed with S/W installation? [yes]

-----

### **Passport 4400 Link Frame Size Value**

The link level frame size is configurable on the Passport 4400. The frame size chosen on the Passport 4400 should take into account the physical link speed, or, if tunneling through a public frame relay network, the Traffic Information Rate (TIR) used on the Passport PANL service should be considered. The default link level frame size on the Passport 4400 is 80 bytes, which is acceptable for a 64kbps link. A simple rule to follow is to increase the link frame size by 80 bytes for each 64kbps increment of bandwidth on the link. For example, use 160 bytes for a 128kbps link speed, 240 bytes for a 192kbps link speed and so on. Failure to set the frame size properly may cause poor throughput performance (if set too small), or voice quality degradation (if set too large).

### **PANL Frame Relay Tunneling**

When operating in a tunneled configuration the 4400 may experience voice quality degradation if the Passport 4400 link level Traffic Information Rate (TIR) is set to be less than the physical link speed. For example, consider the case where the link speed is 2 Mbps, with one voice call up, and one FR DCE call using a CIR of 64 Kbps. The Passport 4400 link level TIR is set to 64kbps. If the FR DCE port sends a full 64 Kbps to the link, it will be transmitted at the line rate (i.e. at 2Mbps) in one burst lasting approx. 31 ms. This will block the voice samples from being transmitted and cause the samples to be queued until one second has passed, while the TIR mechanism allows more transmissions to occur. In order to prevent degradation of voice quality from occurring, it is recommended that the Passport 4400 link level TIR always be set to the same value as the link physical speed when operating in tunneled mode. When configuring the Passport PANL service for frame relay tunneling mode, this issue does not occur. In other words there is no requirement that the Passport PANL TIR be set to be the same as the WAN link speed.

### **Voice Call Transfer Priority**

Voice calls may have a lower discard priority that is less than data calls. The discard priority that is signalled by the 4400 at call setup time is provisionable via VNCS. It is possible to set the Transfer Priority for a voice call to be less than 11. This is not recommended since the voice traffic may encounter unacceptable levels of delay, which may cause severe voice quality degradation.

### **Passport 4400 Voice over Passport ATM Trunks**

As per the Passport frame relay SVC multimedia traffic class feature, transfer priority 11 (TP11) is used for SVC's carrying Passport 4400 voice traffic across the Passport WAN.

---

This Routing Class of Service (RCOS) is NOT maintained if the voice call traverses a Passport ATM trunk. The voice call is established, however at the ATM trunk egress points, the data will become more sensitive to delay and delay variance in the rest of the Passport network..

### **Passport Trunk Transmit Queue Starvation**

As Passport 4400 voice traffic traverses the Passport network backbone, it uses the highest priority interrupting trunk transmit queue (transfer priority 11) a capability provided by the Passport MMTC feature, which is a mandatory prerequisite to Passport 4400 deployment. In situations in which interrupting traffic offered to the network greatly exceeds capacity, it is possible that trunk transmit queue starvation of traffic in lower queues can occur impacting frame relay LMI and routing table control messages. This situation could cause trunk and LMI failure, resulting in traffic re-routing, potentially further compounding the situation. A number of Passports traffic management robustness enhancements are being introduced in phases, beginning in Passport Release P4.2.

### **Traffic Prioritization**

The transfer priority of the each of the following types of connections is configurable via operator command on the 4400. The discard priority is signaled during call setup is configurable on the 4400 via operator command.

- LAN overlay connection (e.g. from one 4400 to another 4400 for LAN data ).
- LAN interworking connection (e.g. from 4400 to Passport ILS for LAN data).
- A frame relay (or HTDS) connection (e.g. for a FR DTE connected to the 4400 FR DCE port that sets up a call to a second 4400 FR DCE port).

The total number of voice calls on a link is controlled by the Voice Call Admission Control (CAC) on the 4400. The CAC works by reserving bandwidth for each voice call, until the maximum amount of bandwidth reserved for voice calls is used up. The maximum amount is set via provisioning.

### **Command Line Interface (CLI)**

The CLI was originally intended for use as an initial Passport 4400 commissioning tool, prior to Network Management connectivity being established.

CLI is an alternative to the NMS configuration and surveillance, the preferred method. As such, alarm indications or extensive semantic checks are not provided. SET commands entered at the CLI will dynamically affect modified attributes. ADD and DEFINE commands typically change the attributes only upon reset.

## **PC based NetTool**

NetTool provide Nortel and Micom installation personnel a simple and convenient method of provisioning a new or replacement of Passport 4400 at the customer site. NetTool allows installers to perform the minimal provision and check the results to ensure that the NMS can successfully complete the provisioning from the Network Management Center. The NetTool is available to support organizations through Micom upon request.

### **Features:**

- Supported platforms: Windows 95 and Windows NT 4.0
- Supported COM ports: 1,2,3,4
- Supported communication parameters: 9600, 8, N, 1
- Support for all four Passport 4400 link types: Serial, ISDN (dial-up, leased lines), T1 CSU, and 56K CSU
- Support for Analog and T1 Voice Provisioning
- Enhanced faster display
- Support for Ping
- Terminal Emulator is included for additional viewing and provisioning capabilities
- Automatic primary link hardware detection. Upon login, the user will be presented with the menu for the correct hardware installed for the primary link
- Ability to set the Passport 4400 to factory default configuration
- Ability to save or restore provisioning to/from a file.

## **Statistics/Accounting**

At this time, the Passport 4400 does not gather or spool statistics that can be used for network engineering purposes and problem analysis. Spooled Passport frame relay statistics can be gathered using the Magellan Data Provider (MDP) application available as part of Magellan NMS.

## **WAN Link Physical Interface**

The WAN interface can only function on physical port 2, which is the first PCMCIA (WAN Serial Interface Module) interface on the Passport 4400 rear panel, the integral CSU/DSU or the ISDN S/T and U interface.

---

### **WAN Link Cable Maximum Length**

The WAN link cable between Passport 4400 and Passport, when used in conjunction with shielded extension cables, to facilities or Passport function processors must not exceed a combined length of 50 feet.

### **WAN Link High Speed Clocking**

For high speed V.35 WAN link connections to Passport V.35 function processors, it is recommended that the Passport PANL interface port be configured for DTE clock source. This attribute can be observed by issuing the Passport command “d -p Lp/<LP> V35/<Port>”. This is NOT required or applicable to V.11 WAN link connections to Passport V.11 function processors.

### **Speech Activity Detection**

The Speech Activity Detection feature, (SAD) is enabled by default but can be disabled using the Command Line Interface (CLI) in this release. It is strongly recommended that SAD remain enabled for Passport 4400 to Passport 4400 voice services, as engineering impacts include increased link and CPU utilization.

### **Incorrect Power Failure Trap**

In the factory, power supplies are balanced to support the specific module configuration. If voice modules are removed from a chassis, with only the Ethernet Base Module remaining, a jumper setting is required and a power supply harness must be removed to eliminate an erroneous power failure condition, which will be reported to the NMS. For additional information, consult NTP 800-1951-20, *Hardware Installation Guide*.

### **TAM/EAM Unsupported Ports Configurable**

In this release, although the TAM/EAM digital voice cards are equipped with two ports, only the DSX-1 port is supported for connection to a PBX. Network connections are not supported. The unsupported port option is displayed in CLI, under the commands ‘set t1e1 line’, although the port is unsupported.

## Cable Diagram Corrections

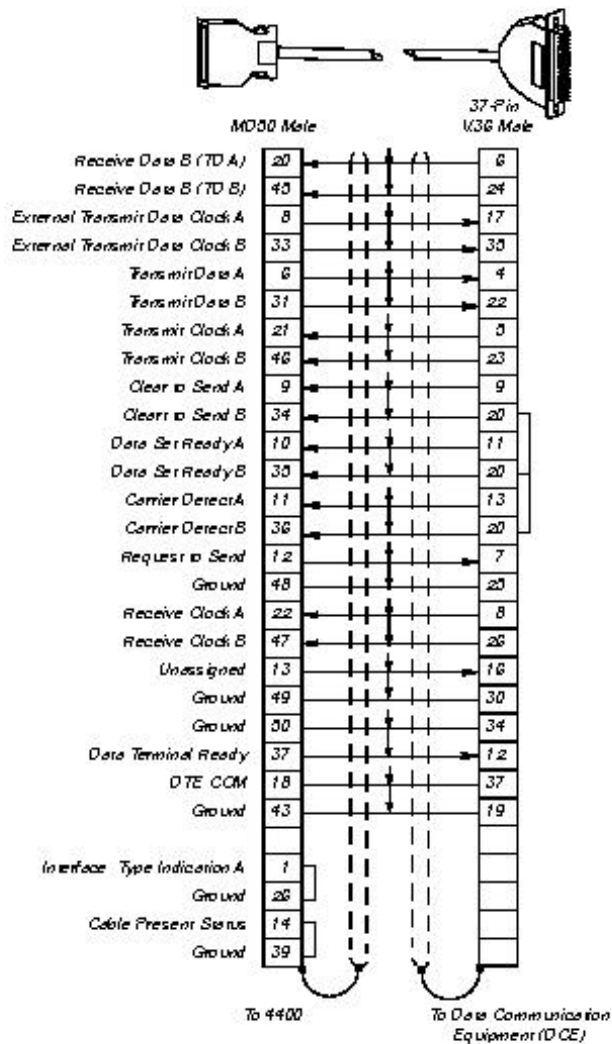
Cable Diagram pin out corrections to Passport 4400 Hardware Installation Manual NTP, 800-1951-20, REV A are listed below:

In the Cable Diagram Pin Assignments A section, Figure A-5, Cable Model No. NTAU19AA -4400 to DTE Equipment, locate pin 41, change "Transmit Clock232" to read "Receive Data 232".

In Connection the Ethernet Base Module 3 section, page 41 of 150, Figure 3-2, Frame Relay DCE Serial Interface/Port 1, change pin "26" to read pin "46".

In the Cable Diagram Pin Assignments A section, Figure A-12, Cable Model No. NTAU24AA -4400 to DCE Equipment, please refer changes to diagram below:





Type 2 cables: Receivers shall have one terminal connection for each input terminal at the load interchange point

## Network Management Considerations

### NMS Connectivity to Passport 4400

NMS workstation physical connectivity for the purpose of managing both Passport 6400 and Passport 4400 can either be distinct and separate or via a single Frame Relay interface. As the primary means of NMS connectivity for Passport 6400, is a Frame Relay connection. It is possible to manage both the Passport 4400 and the Passport 6400 with the existing physical connection to a Passport FRUNI interface with existing PVC's to the IPIFR component on Passports in the network. A new PVC can be configured from this FRUNI to another FRUNI on a Passport ILS node providing a Passport 4400 Network Management Core Router (NMCR) function via virtual hairpin to the Passport ILS FRDTE service. Since SUN frame relay does not respond to inverse arp requests through the Frame Relay Interface, an arp host entry with PVC association on the Passport ILS NMCR is required. Since Passport 4400 static arp entries can't be mapped to PVCs as they can be with Passport, two subnets are required. IP connectivity to a Passport ILS Network Management Core Router supporting branch Passport 4400's is established via IP, through IP addresses assigned to the NMS workstation and Passport 4400 IfTable Index 4. Typically a WAN subnet is logically separated from end customer IP address space, and is used strictly for NMS connectivity (hence management traffic) purposes. If there is a requirement for the NMS workstation to be connected to a corporate LAN, and also directly to a Passport 4400 NMCR via a separate IP subnet, then multiple Ethernet interfaces are a workstation requirement.

NMS workstation connectivity for the purposes of managing Passports is distinct and separate from Passport 4400, and is typically achieved via IP over X.25 or IP over Frame Relay. This requires X.25 or Frame Relay software to be installed and operational on the NMS workstation.

---

## Engineering Considerations

Following is an overview of Passport 4400 engineering considerations.

A properly engineered Passport network is required for WAN transport of Passport 4400 traffic. Taking into account considerations such as the number of branches, traffic classes, routing, trunk load versus bandwidth available, other traffic types in the network, link speeds, fanout, discard priority, rate enforcement, rate adaptation, services per function processor, and redundancy.

### **Passport ILS Core Router Fanout**

A number of factors determines the number of branches which can be supported by the Passport ILS NMCR, including the service mix on the Passport ILS NMCR FP running the FRUNI service, whether the FP is PM1 or PM2. Please consult Passport Engineering guidelines for further information.

### **Maximum Voice Channels per Passport 4400**

The maximum number of combined simultaneous digital and analog voice channels supported on a single Passport 4400, with SAD enabled, is 30.

### **Bandwidth and Throughput Required per Voice SPVC**

Each SPVC carrying voice traffic requires 10.4 Kbps. The frame consists of 20 bytes of voice payload + 6 bytes overhead = 26 bytes. Each voice channel will require 40 pps throughput.

## Known Outstanding Problems

The following problems are known to exist in the current release and are expected to be corrected in future releases.

- Item 1**      **Title:** ISDN back up activation time inconsistent  
**References:** 10138232  
**Description:** ISDN back up activation time is not consistent. It takes place in approximately 2 seconds when a first ISDN back-up occurs. However, subsequent backups may take place after a longer interval, approximately 10-15 seconds.  
**Work-Around:** None  
**Status:** Enhancement for Release 3.0
- Item 2**      **Title:** Firmware Operation Type  
**References:** 60036066  
**Description:** The current "Firmware Operation Type" allows for a variety of Passport 4400 configuration types, many of which are not longer valid. The commands 'set system firmware operation Type' and show system firmware <OperationType> will result in a 'no longer used' message.  
**Work-Around:** None  
**Status:** A possible enhancement for future releases.
- Item 3**      **Title:** CLI add bridge base port type should allow Ethernet on port 1 only  
**References:** 60049156  
**Description:** Although it is possible to added bridge base port 2 with the command 'add br base po 2 128 1000 e e' which sets port 2 up as an Ethernet port, the message "error for promiscon req" will appear during the reset. Only base port 1 is configurable as Ethernet type. Setting any port other than 1 to Ethernet is not supported.  
**Work-Around:** None  
**Status:** A possible enhancement for future releases.

- 
- Item 4**      **Title:** CLI pvcLanData functions not supported  
**References:** 60048999  
**Description:** The following commands are possible but not supported: add fr port pvcLanData, delete fr port pvcLanData, show fr port pvcLanData circuit entry, show fr port pvcLanData circuit table, show fr port pvcLanData base configured entry, show fr port pvcLanData base configured table, show fr port pvcLanData base operational entry, show fr port pvcLanData base operational table, "reset counters fr pvc".  
**Work-Around:** None  
**Status:** None
- Item 5**      **Title:** CLI set system time date not checked against calendar.  
**References:** 60047723  
**Description:** The commands to set the system time, date, month, year and day are not checked against the internal calendar reference when the information is entered. For example, if the calendar is set up for February 31, 1998, the system will accept, although there are only 28 days in February of 1998. Also, when the date rolls over to the new month in March, the day merely increments, and does not set itself to the correct day of the next month.  
**Work-Around:** None  
**Status:** None
- Item 6**      **Title:** sh arp table does not display the ARP table cache entries  
**References:** 60049179  
**Description:** The command 'sh arp table' does not show the entries that are in the ARP table cache.  
**Work-Around:** None  
**Status:** None
- Item 7**      **Title:** Packet or Octet values transposed in display  
**References:** 60047090  
**Description:** Operating a port in the FrameRelayDCE mode results in two Port Parameter records displayed for the same port.  
**Work-Around:** None  
**Status:** None
-

- Item 8**      **Title:** CIR Flow Control on Voice Switched Virtual Circuit  
**References:** 60022116  
**Description:** The 4400 does not currently provide statistics to indicated whether frames are being discarded or CIR is being reduced upon receiving BECN's from the network  
**Work-Around:** None  
**Status:** This is an enhancement scheduled for a future 4400 release.
- Item 9**      **Title:** IP:MIB II: No IpRouteTable routes being aged  
**References:** 10141407  
**Description:** The test suite reported no IPRouteTable default route found in RFC 1213 mib 2.4.2.4 FAILED. No routes were found to be aging. The problem is that the iprouteAge variable (1.3.13.1.2.1.4.21.1.10) is not being incremented. THIS IS A MIB II (rfc1213) variable, not the variables found in the mc mip.  
**Work-Around:** None  
**Status:** This problem is still under investigation.
- Item 10**     **Title:** T1/E1: Caller hears dead air mvp-pp4400 call with carrier down (INTER)  
**References:** 10142489  
**Description:** Functional T1/E1 connection to PBX is broken, expected a fast busy, but responded to incoming call with "call accept" followed by dead air.  
**Work-Around:** None  
**Status:** Scheduled fix for first SSUP
- Item 11**     **Title:** Loss ARP entries under heavy load  
**References:** 10154531  
**Description:** During lab testing under heavy load, instances in which ARP entries disappeared have been observed.  
**Work-Around:** None  
**Status:** Scheduled fix for first SSUP



---

## Chapter 4

---

# Software Update Items

This chapter highlights fixes that have been introduced in this Release.

### Items Resolved in the R2.0.3 Release (raised in R2.0.2)

The following table provides a list of the Problems raised in R2.0.2 that are fixed in R2.0.3.

Item	Title	SR#
1	LED of Port3 indicates "Green" although back up does not occur	10138224
2	FR DCE - LMI and PVC starvation under load	10137402
3	FRDCE SVC requires maxTx/MaxRx Component	10137575
4	E1 LineIndex	60049154
5	CLI def gcm link protocolPCMIndex range is incorrect	60049011
6	Throughput field not displaying properly	60043913
7	Deleting virtual ports may result FR Setup Error/MPA doesn't boot	60048744