



ExtremeWireless™ AP5010 Access Point

Installation Guide

9037612-00 Rev AB
August 2023



Copyright © 2023 Extreme Networks, Inc. All rights reserved.

Legal Notice

Extreme Networks, Inc. reserves the right to make changes in specifications and other information contained in this document and its website without prior notice. The reader should in all cases consult representatives of Extreme Networks to determine whether any such changes have been made.

The hardware, firmware, software or any specifications described or referred to in this document are subject to change without notice.

Trademarks

Extreme Networks and the Extreme Networks logo are trademarks or registered trademarks of Extreme Networks, Inc. in the United States and/or other countries.

All other names (including any product names) mentioned in this document are the property of their respective owners and may be trademarks or registered trademarks of their respective companies/owners.

For additional information on Extreme Networks trademarks, see: www.extremenetworks.com/company/legal/trademarks

Open Source Declarations

Some software files have been licensed under certain open source or third-party licenses.

End-user license agreements and open source declarations can be found at: <https://www.extremenetworks.com/support/policies/open-source-declaration/>



Table of Contents

Preface.....	5
Text Conventions.....	5
Documentation and Training.....	6
Help and Support.....	7
Subscribe to Product Announcements.....	7
Send Feedback.....	8
AP5010 Overview.....	9
New in this Guide.....	9
August 2023 Revisions.....	9
July 2023 Revisions.....	10
AP5010 Features and Specifications.....	10
Access Point Features.....	10
Temperature Specifications.....	11
Antenna Information.....	11
Maximum Antenna Gain Information.....	11
Micro USB Console Port.....	12
Power Profile.....	12
Power Specifications.....	12
Power Profile.....	13
Power Options.....	13
Status LED Activity.....	13
Install the Access Point.....	15
Access Point Box Contents.....	15
Position the Access Point before Installation.....	16
Install the Access Point on a Standard Ceiling Rail.....	17
Install the Access Point on a Nonstandard Ceiling Grid or a Wall.....	20
Lock the Access Point after Installation.....	23
Regulatory and Compliance Information.....	24
Safety Guidelines.....	24
Professional Installation Instruction.....	25
Installation personnel.....	25
Installation procedure.....	25
Instructions d'installation professionnelle.....	25
FCC Notice (Part 15 - Class B).....	25
FCC Radiation Exposure Statement.....	26
Japan Indoor Use Statement.....	26
Japan Voluntary Control Council for Interference (VCCI) - Class B.....	26
European Union (EU) Radiation Warning Statement.....	27
Brazil Agência Nacional De Telecomunicações (Anatel) Statement.....	27
Brazil 6E Statement.....	27

Mexico Compliance Statement.....	27
UK Statement and CE Statement.....	28
Extreme Networks UK Address.....	28
Extreme Networks EU Importer Address.....	28
Industry Canada Notice.....	29
Taiwan Regulatory Statement.....	30
Thailand Regulatory Statement.....	30
Hazardous Substances.....	31
European Waste Electrical and Electronic Equipment (WEEE) Notice.....	31
Supplement to Product Instructions.....	32
Declaration of Conformity in Languages of the European Community.....	32
Index.....	36



Preface

Read the following topics to learn about:

- The meanings of text formats used in this document.
- Where you can find additional information and help.
- How to reach us with questions and comments.

Text Conventions

Unless otherwise noted, information in this document applies to all supported environments for the products in question. Exceptions, like command keywords associated with a specific software version, are identified in the text.

When a feature, function, or operation pertains to a specific hardware product, the product name is used. When features, functions, and operations are the same across an entire product family, such as ExtremeSwitching switches or SLX routers, the product is referred to as *the switch* or *the router*.

Table 1: Notes and warnings






Icon	Notice type	Alerts you to...
	Tip	Helpful tips and notices for using the product
	Note	Useful information or instructions
	Important	Important features or instructions
	Caution	Risk of personal injury, system damage, or loss of data
	Warning	Risk of severe personal injury

Table 2: Text

Convention	Description
screen displays	This typeface indicates command syntax, or represents information as it is displayed on the screen.
The words <i>enter</i> and <i>type</i>	When you see the word <i>enter</i> in this guide, you must type something, and then press the Return or Enter key. Do not press the Return or Enter key when an instruction simply says <i>type</i> .
Key names	Key names are written in boldface, for example Ctrl or Esc . If you must press two or more keys simultaneously, the key names are linked with a plus sign (+). Example: Press Ctrl+Alt+Del
<i>Words in italicized type</i>	Italics emphasize a point or denote new terms at the place where they are defined in the text. Italics are also used when referring to publication titles.
NEW!	New information. In a PDF, this is searchable text.

Table 3: Command syntax

Convention	Description
bold text	Bold text indicates command names, keywords, and command options.
<i>italic text</i>	Italic text indicates variable content.
[]	Syntax components displayed within square brackets are optional. Default responses to system prompts are enclosed in square brackets.
{ x y z }	A choice of required parameters is enclosed in curly brackets separated by vertical bars. You must select one of the options.
x y	A vertical bar separates mutually exclusive elements.
< >	Nonprinting characters, such as passwords, are enclosed in angle brackets.
...	Repeat the previous element, for example, <i>member[member...]</i> .
\	In command examples, the backslash indicates a “soft” line break. When a backslash separates two lines of a command input, enter the entire command at the prompt without the backslash.

Documentation and Training

Find Extreme Networks product information at the following locations:

[Current Product Documentation](#)

[Release Notes](#)

[Hardware and software compatibility](#) for Extreme Networks products
[Extreme Optics Compatibility](#)
[Other resources](#) such as white papers, data sheets, and case studies

Extreme Networks offers product training courses, both online and in person, as well as specialized certifications. For details, visit www.extremenetworks.com/education/.

Help and Support

If you require assistance, contact Extreme Networks using one of the following methods:

Extreme Portal

Search the GTAC (Global Technical Assistance Center) knowledge base; manage support cases and service contracts; download software; and obtain product licensing, training, and certifications.

The Hub

A forum for Extreme Networks customers to connect with one another, answer questions, and share ideas and feedback. This community is monitored by Extreme Networks employees, but is not intended to replace specific guidance from GTAC.

Call GTAC

For immediate support: (800) 998 2408 (toll-free in U.S. and Canada) or 1 (408) 579 2826. For the support phone number in your country, visit: www.extremenetworks.com/support/contact

Before contacting Extreme Networks for technical support, have the following information ready:

- Your Extreme Networks service contract number, or serial numbers for all involved Extreme Networks products
- A description of the failure
- A description of any actions already taken to resolve the problem
- A description of your network environment (such as layout, cable type, other relevant environmental information)
- Network load at the time of trouble (if known)
- The device history (for example, if you have returned the device before, or if this is a recurring problem)
- Any related RMA (Return Material Authorization) numbers

Subscribe to Product Announcements

You can subscribe to email notifications for product and software release announcements, Field Notices, and Vulnerability Notices.

1. Go to [The Hub](#).
2. In the list of categories, expand the **Product Announcements** list.
3. Select a product for which you would like to receive notifications.

4. Select **Subscribe**.
5. To select additional products, return to the **Product Announcements** list and repeat steps 3 and 4.

You can modify your product selections or unsubscribe at any time.

Send Feedback

The Information Development team at Extreme Networks has made every effort to ensure that this document is accurate, complete, and easy to use. We strive to improve our documentation to help you in your work, so we want to hear from you. We welcome all feedback, but we especially want to know about:

- Content errors, or confusing or conflicting information.
- Improvements that would help you find relevant information.
- Broken links or usability issues.

To send feedback, do either of the following:

- Access the feedback form at <https://www.extremenetworks.com/documentation-feedback/>.
- Email us at documentation@extremenetworks.com.

Provide the publication title, part number, and as much detail as possible, including the topic heading and page number if applicable, as well as your suggestions for improvement.



AP5010 Overview

[New in this Guide](#) on page 9

[AP5010 Features and Specifications](#) on page 10

[Antenna Information](#) on page 11

[Micro USB Console Port](#) on page 12

[Power Profile](#) on page 12

[Status LED Activity](#) on page 13

The AP5010 is a high-performance 802.11ax Wi-Fi 6E, 6 GHz, 5 GHz band, and 2.4 GHz band access point designed for high-density indoor environments. The access point supports IEEE 802.11ax Orthogonal Frequency-Division Multiple Access (OFDMA) multi-user access.

The access point can be installed indoors on a ceiling rail, on a nonstandard ceiling, or on a wall.

New in this Guide

The following sections shows the recent documentation revisions for this guide. Use this information to locate the latest updates.

August 2023 Revisions

The following table shows the documentation updates for August, 2023.

Description	Section
Updated for AT with PSE and AT with PSE/USB.	Power Profile

July 2023 Revisions

The following table shows the documentation updates for July, 2023.

Table 4: New and revised information

Description	Section
Updated for Micro USB support.	Micro USB Console Port on page 12
Updated for LED support.	Status LED Activity on page 13
Updated Power Profile for AT with PoE.	Power Profile
Updated for Thailand Compliance	Thailand Regulatory Statement on page 30

AP5010 Features and Specifications

AP5010 access point features including hardware components and temperature specifications.

Access Point Features

The AP5010 access point has the following features:

- One multicolor LED status light

For LED activity description, see [Status LED Activity](#)

- One light sensor located at the top of the device
- Two Ethernet ports - Eth0 and Eth1

Ethernet ports (ETH0 and ETH1) automatically negotiate full-duplex connections with the connecting device.

- ETH0 is 5/2.5/1GE/100 with Power over Ethernet (PoE)
- ETH1 is 2.5/1GE/100 with PoE power sourcing equipment (PSE)

These ports are auto-sensing and adjust to straight-through and crossover standard Cat6 or better Ethernet cables automatically. Cat5e cables are compatible, but Cat6 cables are recommended for optimal 5Gb Ethernet speed.

The access point receives power through an Ethernet connection to the ETH0 port from PSE that is compatible with the 802.3bt and 802.3at standards.

- One USB port

Use the USB port to connect USB-based beacons such as iBeacon and Internet of Things (IoT) devices. Remove the protective cover to access the USB port.

- One micro USB console port
- One reset button
- One Kensington security slot

The best practice is to use the Kensington security slot for securing the device.

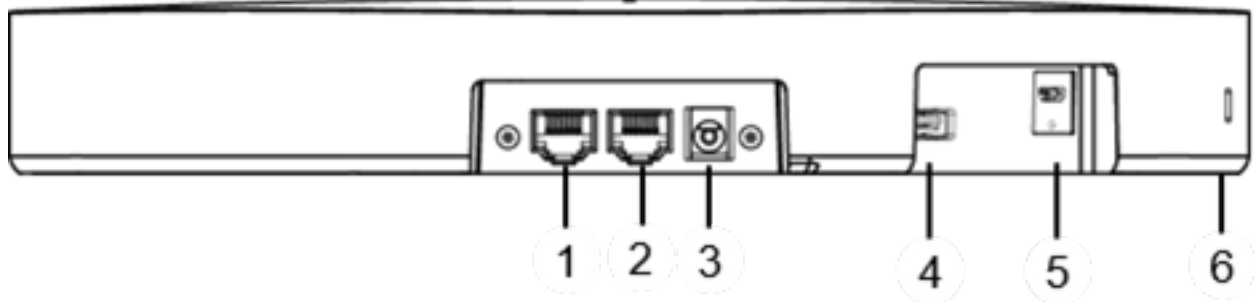


Figure 1: AP5010 access point hardware components

Table 5: Hardware components

Callout	Description
1	ETH0/PoE+
2	ETH1
3	12V DC
4	USB port
5	Console
6	Security Kensington lock

Temperature Specifications

- Operating temperature: 0 °C to +50 °C (+32 °F to +122 °F)
- Storage temperature: -40 °C to +70 °C (-40 °F to +158 °F)
- Relative humidity: 0% to 95% non-condensing

Antenna Information

The access point has internal antennas:

- 4 Dual-band 2.4G/5G antenna
- 4 6G band antenna
- 2 Dual 5G/6G antenna
- 1 BLE antenna

Maximum Antenna Gain Information

Software mode	Radio 1	Radio 2	Radio 3	IoT radio
Mode 1	2G, 4.2dBi	5G, 6dBi	6G, 5.2dBi	4.2dBi
Mode 2	2G, 4.2dBi 5G, 6dBi 6G, 6dBi	5G, 6dBi	6G, 5.2dBi	4.2dBi

Micro USB Console Port

Use the console port to make a serial connection between your management system and the access point. You can order a micro USB console adapter for your access point using the part number ACC-WIFI-MICRO-USB.



Note

When you connect to the Micro USB console port, the management station from which you connect to the device must have a VT100 emulation program, such as Tera Term Pro (a free terminal emulator) or Hilgraeve HyperTerminal® (provided with Windows operating systems from XP forward).

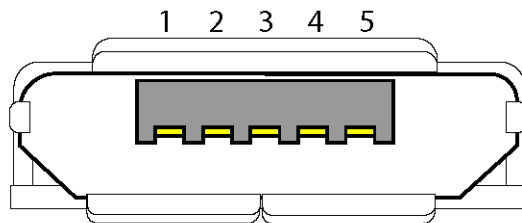


Figure 2: Micro-B model Console Port Pin Information

Table 6: Micro-B USB Pin Information

Pin number	Pin name and description
1	NC
2	RxD (input to access point)
3	TxD (output to terminal)
4	Signal (GND)
5	Signal (GND)

Power Profile

Learn about AP5010 access point power profile.

Power Specifications

- IEEE 802.3bt PoE Power

Power Profile

	BT profile	AT profile	AT with PoE	AT with USB	AT with PoE/USB	AT with PSE (Extreme Cloud IQ only)	AT with PSE/USB (Extreme Cloud IQ only)	Power Supply
2.4G RF	18dBm, 4x4	18dBm, 4x4	18dBm, 2x2	18dBm, 3x3	15dBm, 2x2	18dBm, 2x2	15dBm, 2x2	18dBm, 4x4
5G RF	18dBm, 4x4	18dBm, 4x4	18dBm, 2x2	18dBm, 3x3	15dBm, 2x2	18dBm, 2x2	15dBm, 2x2	18dBm, 4x4
6G RF	18dBm, 4x4	18dBm, 4x4	18dBm, 2x2	18dBm, 3x3	15dBm, 2x2	18dBm, 2x2	15dBm, 2x2	18dBm, 4x4
BLE	Yes	Yes	Yes	Yes	Yes	Yes	Yes	Yes
2nd Ethernet port	Yes	Yes	Yes	Yes	Yes	Yes	Yes	Yes
USB (2.5W)	Yes	No	No	Yes	Yes	No	Yes	Yes
PSE (15.4W)	Yes	No	Yes (6W)	No	Yes (6W)	Yes (6W)	Yes (6W)	No

Power Options

- Power Draw: Typical: 21.0 W; Max: 25.5 W
- 802.3bt PoE capable
- Gigabit Ethernet port

For detailed device and radio specifications, refer to the [AP5010 Data Sheet](#).

Status LED Activity

The access point has one status light on top of the chassis. The status light conveys operational states for system power, firmware updates, Ethernet and wireless interface activity, and major alarms.

Table 7: IQ Engine Status LED Activity

Status	Activity
Dark	Power is off
Solid white	The device power is on and the access point is ready to use. The device has successfully established a Control And Provisioning of Wireless Access Points (CAPWAP) connection to ExtremeCloud IQ and is operating normally

Table 7: IQ Engine Status LED Activity (continued)

Status	Activity
Slow-blinking white	The device has a CAPWAP connection to ExtremeCloud IQ, but is operating on 802.3at power instead of 802.3bt power
Solid amber	The device power is on and the access point is in boot up mode, or is running without a CAPWAP connection
Slow-blinking amber	The device has no CAPWAP connection to ExtremeCloud IQ, and is operating on 802.3at power instead of 802.3bt power
Fast-blinking amber	The device is updating its IQ Engine firmware

Table 8: ExtremeWireless WiNG Status LED Activity

Status	Activity
Dark	Power is off or Access point is taken over by the controller. Configuration pushes down to access point from controller to turn off the LED completely
Solid white	The device is booting or already taken over by the controller
Slow-blinking white	The device is in the process of being taken over by the controller or has failed to be taken over by the controller
Flashing fading white	Configuration pushes down to access point from controller helping an user to locate the access point location using visual inspection
Solid amber	The access point is upgrading its firmware
Fast-blinking amber	The access point is acquiring DHCP IP



Install the Access Point

[Access Point Box Contents](#) on page 15

[Position the Access Point before Installation](#) on page 16

[Install the Access Point on a Standard Ceiling Rail](#) on page 17

[Install the Access Point on a Nonstandard Ceiling Grid or a Wall](#) on page 20

[Lock the Access Point after Installation](#) on page 23

About This Task

Install the access point on a ceiling rail, on a nonstandard ceiling, or on a wall.

Procedure

1. Verify the access point and accessory box contents based on your [order information](#).
2. Visually inspect the access point, the bracket, and any other optional accessories you have ordered for physical damage. If there is any damage, contact [Extreme Networks Support](#).
3. Read and review the [safety guidelines](#).
4. Select an access point mounting option:
 - [Install the access point on a standard ceiling rail](#)
 - [Install the access point on a non-standard ceiling grid or a wall](#)
5. [Position the access point before installation](#).

What to Do Next

[Secure the access point using a Kensington lock](#).

Access Point Box Contents

Learn about the access point box contents.

The access point is shipped with the following items:

Quantity	Item
1	An AP5010-WW access point
1	Mounting bracket for prelude T-bar ceiling installation (part number AH-ACC-BKT-AX-TB)
1	Quick Reference Guide

All optional brackets and accessories are sold separately. For detailed installation instructions about all mounting procedures, refer to the [802.11ax and Cloud Access Points Accessories Guide](#) in the Extreme Networks Documentation Support site.

Position the Access Point before Installation

About This Task

There is a red dot on the back of the access point and the bracket to help you position the access point for installation.

Procedure

Line up the red dot on the access point and the bracket for ease of installation.

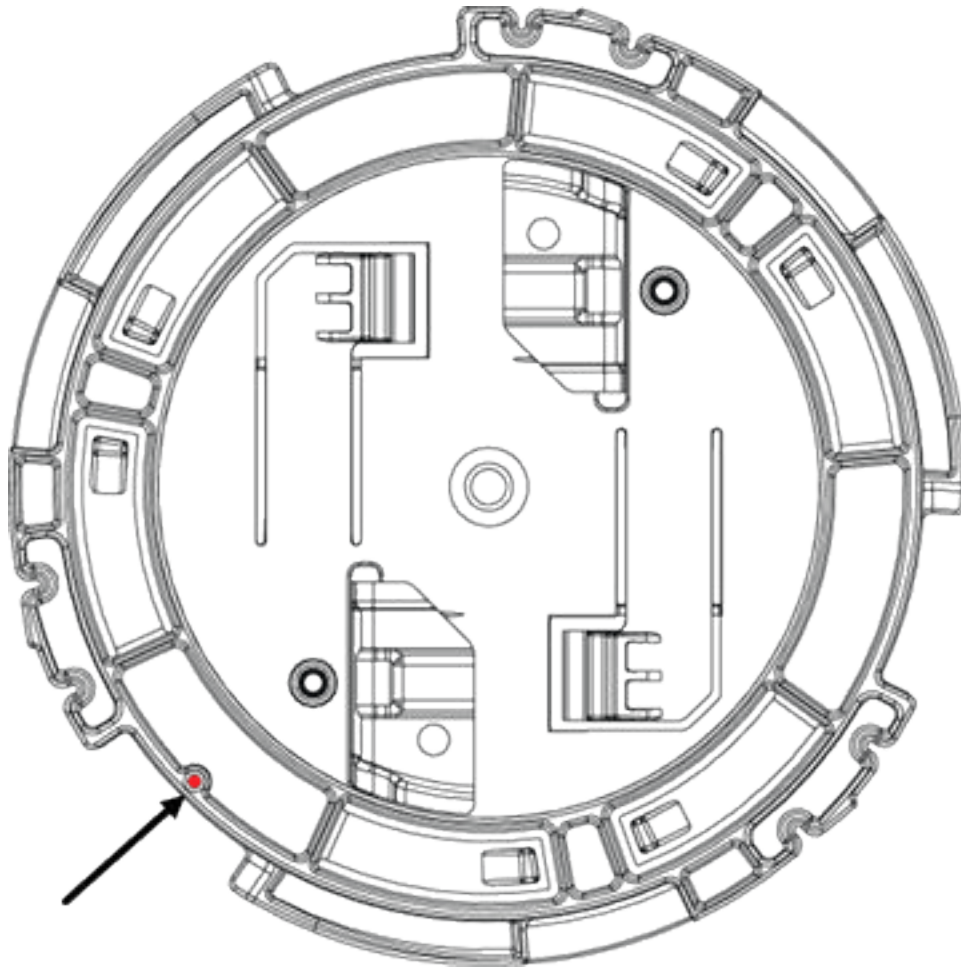


Figure 3: AH-ACC-BKT-AX-TB bracket red dot

What to Do Next

[Install the Access Point on a Nonstandard Ceiling Grid or a Wall](#) on page 20

Install the Access Point on a Standard Ceiling Rail

Before You Begin

The following hardware is required for a standard ceiling rail installation:

- An AP5010 access point
- One AH-ACC-BKT-AX-TB mounting bracket for prelude T-bar ceiling installation, that is shipped with the access point

About This Task

The AP5010 access points ship with a mounting bracket for standard 15/16 in. dropped ceiling grid. For non-standard ceiling rail installations, see [Install the Access Point on a Non-Standard Ceiling Grid or a Wall](#).

Procedure

1. Remove the ceiling tiles.
2. Align the bracket on the ceiling rail in such a way that the bracket metal hinges are almost parallel to the sides of the ceiling rail.
3. Rotate the accessory clockwise until the metal hinges hook over the edge of the rail and the white tabs click in place.



Note

There are two white tabs on the back of the bracket that holds on to the ceiling rail in place. Use your finger to push and unhook one side of the white tab if you want to remove the bracket from the ceiling rail.

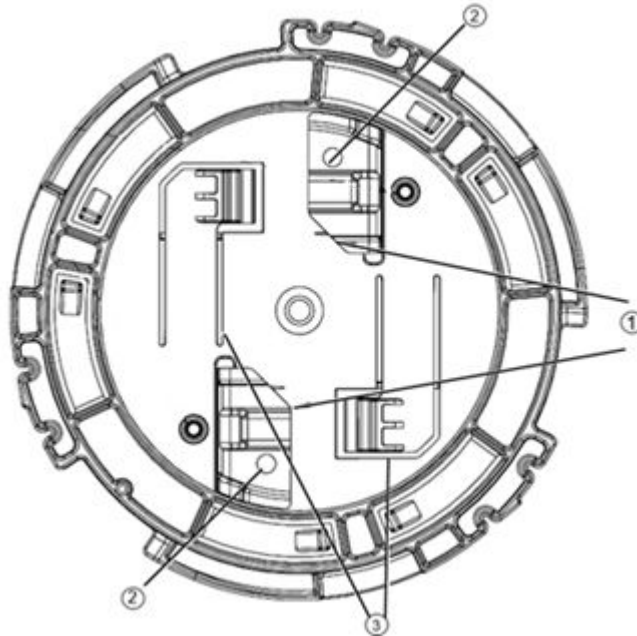


Figure 4: AH-ACC-BKT-AX-TB bracket

Table 9: AH-ACC-BKT-AX-TB bracket parts description

Callout	Description
1	Metal hinges on the AH-ACC-BKT-AX-TB bracket
2	Mounting holes for wall mounting
3	White tab on the AH-ACC-BKT-AX-TB bracket

4. Attach the Ethernet port cap to the access point Ethernet port.

For more information about Ethernet cap, refer to Ethernet Cap Accessory Information on the [802.11ax and Cloud Access Points Accessories Guide](#).

5. Align the red dot on the back of the access point against the bracket red dot.



Note

The bracket has a circular tip that fits into the circular depression on the back of the access point.

6. Press and rotate the access point 1/8th turn clockwise until it clicks into place on the bracket.

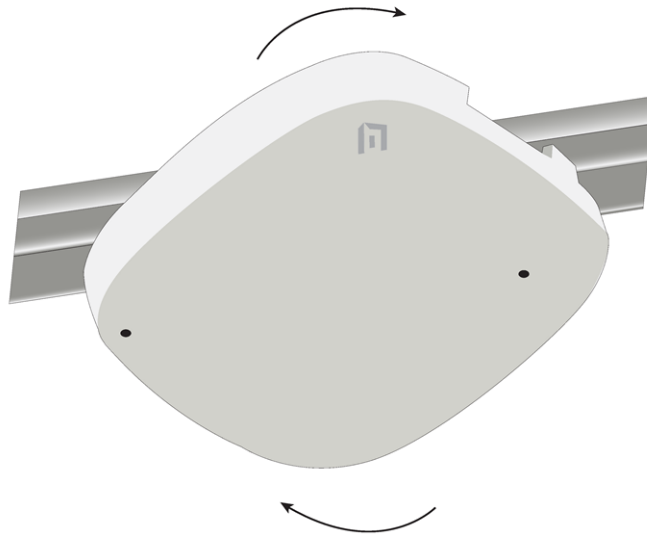
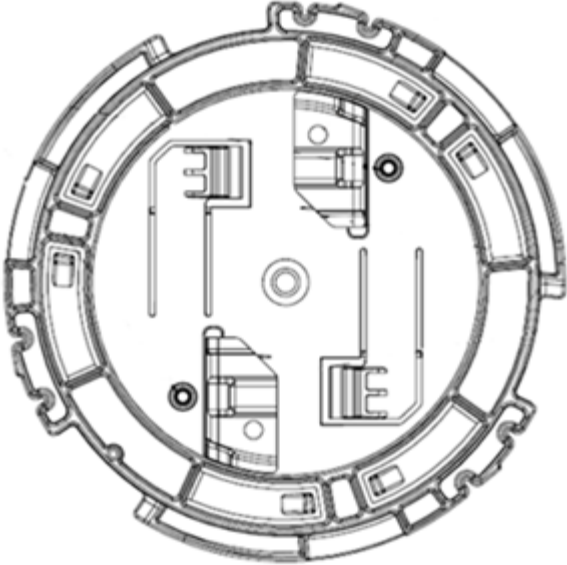
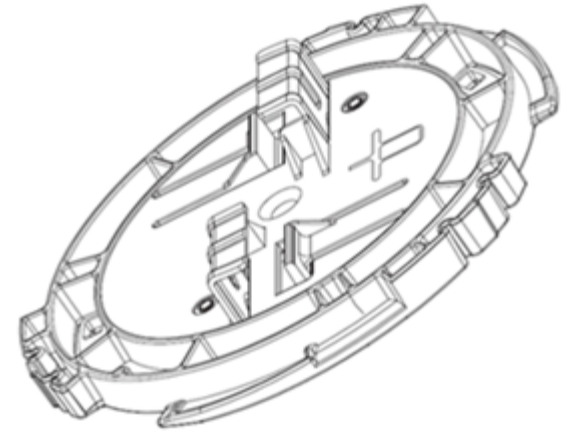


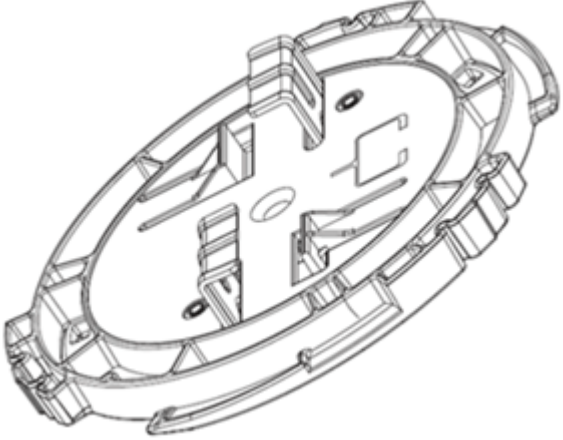
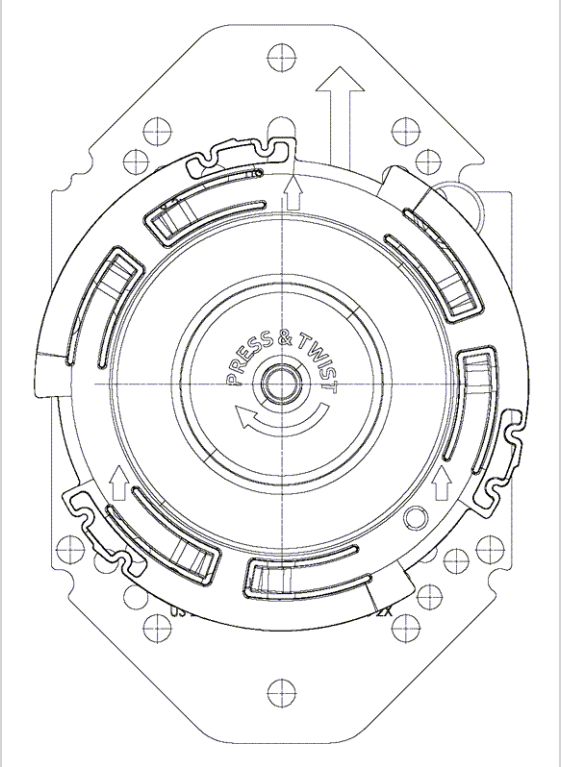
Figure 5: Access point ceiling install

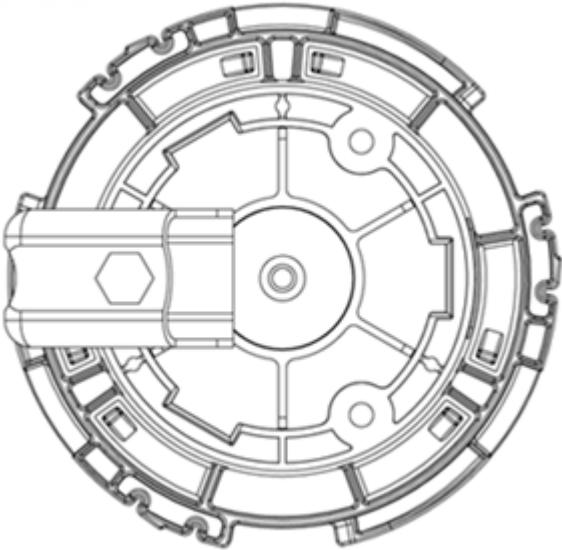
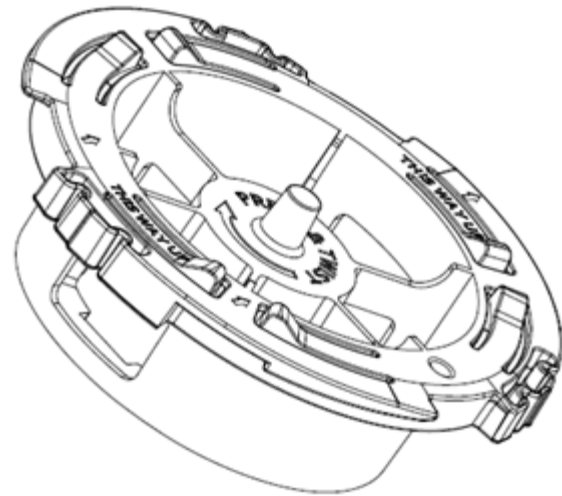
7. Attach the Cat6 RJ45 cable to the ETH0 or ETH1 port.
8. Replace the ceiling tiles.

Install the Access Point on a Nonstandard Ceiling Grid or a Wall

The access point can be installed on a nonstandard ceiling grid using the following accessories:

Order part number	Description
<p>AH-ACC-BKT-AX-TB</p> <p>Note: Only this bracket is included with the access point</p>	<p>Mounting bracket for Prelude ceilings (15/16 in. ceiling grid), Suprafine ceilings (9/16 in. ceiling grid), and walls</p> 
<p>AH-ACC-BKT-AX-IL</p>	<p>Mounting bracket for Interlude (9/16 wide T-bar with protrusion) ceilings</p> 

Order part number	Description
<p>AH-ACC-BKT-AX-SL</p>	<p>Mounting bracket for Silhouette ceilings (ceiling grid with 1/8 in. or 1/4 in. bottom opening)</p> 
<p>ACC-BKT-AX-JB</p>	<p>Junction box or wall mounting for indoor access points</p> 

Order part number	Description
ACC-BKT-AX-BEAM	Beam mounting for indoor access points 
AH-ACC-BKT-AX-WL	Mounting bracket for direct-to-wall installations 



Important

The default bracket for wall installation is the ACC-BKT-AX-JB bracket.



Note

Order the -JB bracket for new wall installations. The AH-ACC-BKT-AX-WL bracket is for users who already have the -WL brackets.

For detailed nonstandard ceiling grid installation or wall installation instructions, refer to the [Wi-Fi 6 802.11ax Access Points Accessories Guide](#).

Related Topics

[Lock the Access Point after Installation](#) on page 23

[Lock the Access Point after Installation](#)

Learn how to lock the indoor access point using a Kensington lock.

Secure the access point by using the Kensington lock on the side of the access point. The security feature is used to prevent the access point from being removed from the mounting accessory.



Regulatory and Compliance Information

- [Safety Guidelines](#) on page 24
- [Professional Installation Instruction](#) on page 25
- [FCC Notice \(Part 15 - Class B\)](#) on page 25
- [FCC Radiation Exposure Statement](#) on page 26
- [Japan Indoor Use Statement](#) on page 26
- [Japan Voluntary Control Council for Interference \(VCCI\) - Class B](#) on page 26
- [European Union \(EU\) Radiation Warning Statement](#) on page 27
- [Brazil Agência Nacional De Telecomunicações \(Anatel\) Statement](#) on page 27
- [Brazil 6E Statement](#) on page 27
- [Mexico Compliance Statement](#) on page 27
- [UK Statement and CE Statement](#) on page 28
- [Extreme Networks UK Address](#) on page 28
- [Extreme Networks EU Importer Address](#) on page 28
- [Industry Canada Notice](#) on page 29
- [Taiwan Regulatory Statement](#) on page 30
- [Thailand Regulatory Statement](#) on page 30
- [Hazardous Substances](#) on page 31
- [European Waste Electrical and Electronic Equipment \(WEEE\) Notice](#) on page 31
- [Supplement to Product Instructions](#) on page 32
- [Declaration of Conformity in Languages of the European Community](#) on page 32

Learn about safety guidelines, compliance notices, and regulatory information pertaining to various countries in which the device can be used.

Safety Guidelines

The following safety guidelines are intended to protect your personal safety and prevent damage to the equipment.

**Important**

Only qualified personnel must perform installation procedures. Within the context of the safety notes in this documentation, qualified persons are defined as persons who are authorized to commission grounding, label devices, systems, and circuits in accordance with established safety practices and standards. A qualified person understands the requirements and risks involved with installing outdoor electrical equipment in accordance with national codes.

Professional Installation Instruction

Installation personnel

This product is designed for specific application and needs to be installed by a qualified personnel who has RF and related rule knowledge. The general user shall not attempt to install or change the setting.

Installation procedure

Refer to the installation instructions for details.

**Warning**

Select the installation position and ensure that the final output power does not exceed the limit set forth in relevant rules. The violation of the rule could lead to serious federal penalty.

Instructions d'installation professionnelle

Installation

Ce produit est destiné à un usage spécifique et doit être installé par un personnel qualifié maîtrisant les radiofréquences et les règles s'y rapportant. L'installation et les réglages ne doivent pas être modifiés par l'utilisateur final.

Procédure d'installation

Consulter le manuel d'utilisation.

**Warning**

Avertissement: Choisir avec soin la position d'installation et s'assurer que la puissance de sortie ne dépasse pas les limites en vigueur. La violation de cette règle peut conduire à de sérieuses pénalités fédérales.

FCC Notice (Part 15 - Class B)

This device complies with Part 15 of the FCC rules. Operation is subject to the following two conditions: (1) this device may not cause harmful interference, and (2) this

device must accept any interference received, including interference that may cause undesired operation.

**Note**

This equipment has been tested and found to comply with the limits for a class B digital device, pursuant to Part 15 of the FCC rules. These limits are designed to provide reasonable protection against harmful interference when the equipment is operated in a commercial environment. This equipment uses, generates, and can radiate radio frequency energy and if not installed in accordance with the operator's manual, may cause harmful interference to radio communications. However, there is no guarantee that interference will not occur in a particular installation. If this equipment does cause harmful interference to radio or television reception, which can be determined by turning the equipment off and on, the user is encouraged to try to correct the interference by one of the following measures:

- Reorient or relocate the antenna of the receiving devices.
- Increase the separation between this equipment and receiving equipment.
- Connect this equipment into an outlet on a circuit different from that to which the receiving equipment is connected.
- Consult the dealer or an experienced radio or TV technician for help.

**Warning**

Changes or modifications made to this device which are not expressly approved by the party responsible for compliance could void the user's authority to operate the equipment.

FCC Radiation Exposure Statement

**Warning**

This equipment complies with FCC radiation exposure limits set forth for an uncontrolled environment. This equipment should be installed and operated with minimum distance of 43 cm between the radiator and your body.

Japan Indoor Use Statement

For Japan, the AP5010 access point is restricted for indoor use in the 5150-5350 MHz band only.

Japan Voluntary Control Council for Interference (VCCI) - Class B

この装置は、クラスB情報技術装置です。この装置は、家庭環境で使用することを目的としていますが、この装置がラジオやテレビジョン受信機に近接して使用されると、受信障害を引き起こすことがあります。

取扱説明書に従って正しい取り扱いをして下さい。

VCCI-B

European Union (EU) Radiation Warning Statement



Warning

This equipment complies with EU radiation exposure limits set forth for an uncontrolled environment. This equipment should be installed and operated with minimum distance of 20 cm between the radiator and your body.

Table 10: Selling Countries

 Restrictions or requirements in the UK	AT	BE	BG	HR	CY	CZ	DK
	EE	FI	FR	DE	EL	HU	IE
	IT	LV	LT	LU	MT	NL	PL
	PT	RO	SK	SI	ES	SE	UK (NI)

Brazil Agência Nacional De Telecomunicações (Anatel) Statement

Details about certification from Brazil's local authority Agência Nacional De Telecomunicações (Anatel) for access point usage in Brazil.

Este produto está homologado pela Anatel, de acordo com os procedimentos regulamentados e atende aos requisitos técnicos aplicados.

Este equipamento não tem direito à proteção contra interferência prejudicial e não pode causar interferência em sistemas devidamente autorizados. Para maiores informações, consulte o site da Anatel – www.anatel.gov.br

Brazil 6E Statement

Brazil regulatory 6E statement for access points.

O uso deste equipamento é restrito a ambientes fechados e proibido em plataformas petrolíferas, carros, trens, embarcações e no interior de aeronaves abaixo de 3.048 m (10.000 pés).

Mexico Compliance Statement

Details about compliance conditions for device use in Mexico.

La operación de este equipo está sujeta a las siguientes dos condiciones

1. es posible que este equipo o dispositivo no cause interferencia perjudicial y
2. este equipo o dispositivo debe aceptar cualquier interferencia, incluyendo la que pueda causar su operación no deseada.

The operation of this equipment is subject to the following two conditions:

1. it is possible that this equipment or device does not cause disruptive interference and

2. this equipment or device must accept any interference, including interference that may cause undesired operation.

UK Statement and CE Statement

This equipment complies with the UK and EEA radiation exposure limits set forth for an uncontrolled environment. This equipment should be installed and operated with minimum distance of 20 cm between the radiator and your body.

The frequency and the maximum transmitted power in the UK and European Conformity are listed below:

AP5010 CE	AP5010 UK
2402-2480MHz (LE): 7.99 dBm	2402-2480MHz (LE): 7.99 dBm
2405-2480MHz: 8.03 dBm	2405-2480MHz: 8.03 dBm
2412-2472MHz: 19.99 dBm	2412-2472MHz: 19.99 dBm
5180-5240MHz: 22.99 dBm	5180-5240MHz: 22.99 dBm
5260-5320MHz: 22.99 dBm	5260-5320MHz: 22.99 dBm
5500-5700MHz: 29.97 dBm	5500-5700MHz: 29.97 dBm
5955-6415MHz: 22.99 dBm	5745-5825 MHz: 22.98 dBm
	5955-6415MHz: 22.99 dBm



Warning

The device is restricted to indoor use only when operating in the 5150 to 5350 MHz frequency range.

- CE - The device is restricted to indoor use only when operating in the 5945 to 6425 MHz frequency range.
- UK - The device is restricted to indoor use only when operating in the 5925 to 6425 MHz frequency range.

Hereby, Extreme Networks declares that the radio equipment AP5010 is in compliance with Radio Equipment Regulations 2017. For more details, contact Extreme Compliance Request at ComplianceRequest@extremenetworks.com.

Extreme Networks UK Address

Extreme Networks, UK Ltd.

250 Longwater Avenue Green Park

1st Floor

Reading, UK

Extreme Networks EU Importer Address

Extreme Networks, Ireland Ops Ltd.

Rineanna House Shannon Industrial Estate

Shannon, V14CA36 Ireland

Industry Canada Notice



Warning

For indoor use only.

Pour une utilisation en intérieur uniquement.

Operation on oil platforms, cars, trains, boats, and aircraft are prohibited except for on large aircraft flying above 10,000 ft. L'exploitation sur les plates-formes pétrolières, les voitures, les trains, les bateaux et les aéronefs est interdite, sauf sur les gros aéronefs volant au-dessus de 10,000 pieds.

This device complies with ISSED's licence-exempt RSSs. Operation is subject to the following two conditions: (1) This device may not cause harmful interference, and (2) this device must accept any interference received, including interference that may cause undesired operation.

Le présent appareil est conforme aux CNR d' ISSED applicables aux appareils radio exempts de licence. L'exploitation est autorisée aux deux conditions suivantes : (1) le dispositif ne doit pas produire de brouillage préjudiciable, et (2) ce dispositif doit accepter tout brouillage reçu, y compris un brouillage susceptible de provoquer un fonctionnement indésirable.



Warning

IC Radiation Exposure Statement:

This equipment complies with IC RSS-102 radiation exposure limits set forth for an uncontrolled environment. This equipment should be installed and operated with minimum distance of 40 cm between the radiator and your body.



Warning

Déclaration d'exposition aux radiations:

Cet équipement est conforme aux limites d'exposition aux rayonnements IC établies pour un environnement non contrôlé. Cet équipement doit être installé et utilisé avec un minimum de 40 cm de distance entre la source de rayonnement et votre corps.



Caution

The device for operation in the band 5150-5250 MHz is only for indoor use to reduce the potential for harmful interference to co-channel mobile satellite systems.

les dispositifs fonctionnant dans la bande 5150-5250 MHz sont réservés uniquement pour une utilisation à l'intérieur afin de réduire les risques de brouillage préjudiciable aux systèmes de satellites mobiles utilisant les mêmes canaux.

This device complies with Part 15 of the FCC Rules. Operation is subject to the following two conditions: (1) This device may not cause harmful interference, and (2) this device must accept any interference received, including interference that may cause undesired operation. This transmitter must not be co-located or operating in conjunction with any other antenna or transmitter.

Taiwan Regulatory Statement

取得審驗證明之低功率射頻器材，非經核准，公司、商號或使用者均不得擅自變更頻率、加大功率或變更原設計之特性及功能。

低功率射頻器材之使用不得影響飛航安全及干擾合法通信；經發現有干擾現象時，應立即停用，並改善至無干擾時方得繼續使用。

前述合法通信，指依電信管理法規定作業之無線電通信。

低功率射頻器材須忍受合法通信或工業、科學及醫療用電波輻射性電機設備之干擾。

應避免影響附近雷達系統之操作。

請至此連結 讀中文 明: www.extremenetworks.com/support/documentation/.

ExtremeWireless 802.11ax Wi-Fi 6E 室外 AP5050U 無線接入點

無線電：3 個無線電 (2.4GHz、5 GHz 和 6 GHz); 1 個物聯網無線電 (BLE/802.15.4)

Thailand Regulatory Statement

ล็กไฟฟ้าตามมาตรฐานความปลอดภัยสำหรับการใช้อุปกรณ์สื่อสารทางวิทยุต่อสุขภาพของมนุษย์ที่ประกาศโดยคณะกรรมการ โท

รคมนาควมแห่งชาติ



Hazardous Substances

This product complies with the requirements of Directive 2011/65/EU and its amendments of the European Parliament and of the Council of 8 June 2011 on the restriction of the use of certain hazardous substances in electrical and electronic equipment.

European Waste Electrical and Electronic Equipment (WEEE) Notice



In accordance with Directive 2012/19/EU of the European Parliament on waste electrical and electronic equipment (WEEE):

1. The symbol above indicates that separate collection of electrical and electronic equipment is required.
2. When this product has reached the end of its serviceable life, it cannot be disposed of as unsorted municipal waste. It must be collected and treated separately.
3. It has been determined by the European Parliament that there are potential negative effects on the environment and human health as a result of the presence of hazardous substances in electrical and electronic equipment.
4. It is the user's responsibility to utilize the available collection system to ensure WEEE is properly treated.

For information about the available collection system, please contact Extreme Environmental Compliance at Green@extremenetworks.com.

Supplement to Product Instructions

單元 Unit	限用物質及其化學符號 Restricted substances and its chemical symbols					
	鉛Lead (Pb)	汞Mercury (Hg)	鎘Cadmium (Cd)	六價鉻 Hexavalent chromium (Cr ⁺⁶)	多溴聯苯 Polybrominated biphenyls (PBB)	多溴二苯醚 Polybrominated diphenyl ethers (PBDE)
金屬零件 (Metal Parts)	○	○	○	○	○	○
電路模組 (Circuit Modules)	—	○	○	○	○	○
電纜及電纜組件 (Cables & Cable Assemblies)	○	○	○	○	○	○
塑料和聚合物零件 (Plastic and Polymeric parts)	○	○	○	○	○	○
<p>備考1. “超出0.1 wt %”及“超出0.01 wt %”係指限用物質之百分比含量超出百分比含量基準值。 Note 1 : “Exceeding 0.1 wt %” and “exceeding 0.01 wt %” indicate that the percentage content of the restricted substance exceeds the reference percentage value of presence condition.</p> <p>備考2. “○”係指該項限用物質之百分比含量未超出百分比含量基準值。 Note 2 : “○” indicates that the percentage content of the restricted substance does not exceed the percentage of reference value of presence.</p> <p>備考3. “—”係指該項限用物質為排除項目。 Note 3 : The “—” indicates that the restricted substance corresponds to the exemption.</p>						

Declaration of Conformity in Languages of the European Community

English	Hereby, Extreme Networks declares that the radio equipment type (AP5010) is in compliance with Directive 2014/53/EU. For full text of the EU Declaration of Conformity, contact Extreme Regulatory Compliance at compliancerequest@extremenetworks.com
Finnish	Valmistaja Extreme Networks vakuuttaa täten että Radio LAN device (AP5010) tyyppinen laite on direktiivin 2014/53/EU oleellisten vaatimusten ja sitä koskevien direktiivin muiden ehtojen mukainen. EU-vaatimusten mukaisuusvaatimuksen täydellisestä tekstistä ota yhteyttä äärimmäisiin säädösten noudattamiseen osoitteessa compliancerequest@extremenetworks.com

Dutch	Hierbij verklaart Extreme Networks dat het toestel Radio LAN device (AP5010) in overeenstemming is met de essentiële eisen en de andere relevante bepalingen van richtlijn 2014/53/EU. Neem voor de volledige tekst van de EU-conformiteitsverklaring u contact opnemen met extreme regelgeving op compliancerequest@extremenetworks.com
French	Par la présente Extreme Networks déclare que l'appareil Radio LAN device (AP5010) est conforme aux exigences essentielles et aux autres dispositions pertinentes de la directive 2014/53/EU. Pour obtenir le texte intégral du processus de Déclaration de la conformité de l'UE, veuillez contacter la conformité réglementaire extrême à l'adresse suivante: compliancerequest@extremenetworks.com
Swedish	Härmed intygar Extreme Networks att radioutrustningstypen (AP5010) överensstämmer med de väsentliga egenskapskrav och övriga relevanta bestämmelser som framgår av direktiv 2014/53/ EU. För fullständig text av EU-försäkran om överensstämmelse, kontakta Extreme regelefterlevnad på compliancerequest@extremenetworks.com
Danish	Undertegnede Extreme Networks erklærer herved, at følgende udstyr Radio LAN device (AP5010) overholder de væsentlige krav og øvrige relevante krav i direktiv 2014/53/EU. For den fulde ordlyd af EU-overensstemmelseserklæringen bedes du kontakte Extreme Regulatory Compliance på compliancerequest@extremenetworks.com
German	Hiermit erkläre Extreme Networks die Übereinstimmung des "WLAN Wireless Controller bzw. Access Points" (AP5010) mit den grundlegenden Anforderungen und den anderen relevanten Festlegungen der Richtlinie 2014/53/EU. Für den vollständigen Wortlaut der EU-Konformitätserklärung wenden Sie sich bitte an extreme Regulatory Compliance unter compliancerequest@extremenetworks.com

Greek	<p>ΜΕ ΤΗΝ ΠΑΡΟΥΣΑ Extreme Networks ΔΗΛΩΝΕΙ ΟΤΙ Radio LAN device (AP5010) ΣΥΜΜΟΡΦΩΝΕΤΑΙ ΠΡΟΣ ΤΙΣ ΟΥΣΙΩΔΕΙΣ ΑΠΑΙΤΗΣΕΙΣ ΚΑΙ ΤΙΣ ΛΟΙΠΕΣ ΣΧΕΤΙΚΕΣ ΔΙΑΤΑΞΕΙΣ ΤΗΣ ΟΔΗΓΙΑΣ 2014/53/EU. Για το πλήρες κείμενο της δήλωσης συμμόρφωσης ΕΕ, Παρακαλούμε επικοινωνήστε με την ακραία κανονιστική συμμόρφωση στο compliancerequest@extremenetworks.com</p>
Icelandic	<p>Extreme Networks lýsir her með yfir að thessi bunadur, Radio LAN device (AP5010), uppfyllir allar grunnkröfur, sem gerðar eru í R&TTE tilskipun ESB nr 2014/53/EU. Fyrir fullan texta í ESB yfirlýsingu um samræmi, vinsamlegast hafðu samband við Extreme Reglufylgni á compliancerequest@extremenetworks.com</p>
Italian	<p>Con la presente Extreme Networks dichiara che questo Radio LAN device (AP5010) è conforme ai requisiti essenziali ed alle altre disposizioni pertinenti stabilite dalla direttiva 2014/53/EU. Per il testo integrale della Dichiarazione di conformità dell'UE, contattare Extreme Regulatory Compliance presso compliancerequest@extremenetworks.com</p>
Spanish	<p>Por medio de la presente Extreme Networks declara que el Radio LAN device (AP5010) cumple con los requisitos esenciales y cualesquiera otras disposiciones aplicables o exigibles de la Directiva 2014/53/EU. Para obtener el texto completo de la Declaración de conformidad de la UE, póngase en contacto con Extreme Regulatory Compliance en compliancerequest@extremenetworks.com</p>

Portuguese	Extreme Networks declara que este Radio LAN device (AP5010) está conforme com os requisitos essenciais e outras disposições da Directiva 2014/53/EU. Para o texto integral da declaração de conformidade da UE, contacte a conformidade regulamentar extrema em compliancerequest@extremenetworks.com
Malti	Hawnhekk, Extreme Networks, jiddikjara li dan Radio LAN device (AP5010) jikkonforma mal-htigijiet essenzjali u ma provvedimenti oħrajn relevanti li hemm fid-Dirrettiva 2014/53/EU. Ġħat-test sħih tad-dikjarazzjoni ta ' konformità tal-UE, jekk jogħġbok ikkuntattja lill-konformità regolatorja compliancerequest@extremenetworks.com



Index

A

- access point lock
 - Kensington lock 23
- announcements 7
- antenna gain 11
- antennas 11

B

- box contents 15
- Brazil 6E statement 27

C

- CE statement 28
- conventions
 - notice icons 5
 - text 5

D

- documentation
 - feedback 8
 - location 6

E

- EU importer address 28
- EU warning statement 27

F

- FCC radiation exposure 26
- features
 - hardware components 10, 11
 - temperature specifications 10, 11
- feedback 8

I

- industry Canada notice 29
- install instructions 25
- installation 15

J

- Japan class B statement 26
- Japan indoor use 26

M

- Mexico compliance statement 27
- micro USB console port 12

N

- New in this guide 9, 10
- nonstandard ceiling install 20
- nonstandard wall install 20
- notices 5

O

- overview
 - AP5010 overview 9

P

- power profile 12, 13
- pre-installation 16
- product announcements 7
- professional install 25

R

- regulatory information, hazardous Substances 31
- Restriction of Hazardous Substances information 32

S

- safety guidelines 24
- standard ceiling installation 17
- status LED 13
- support, *see* technical support

T

- Taiwan regulatory information 30
- technical support
 - contacting 7
- Thailand Regulatory Statement 30

U

- UK address 28
- UK statement 28

W

warnings 5