

## Overview of the WS-AP3825

The WS-AP3825 is designed to extend your Wireless LAN around indoor locations. The WS-AP3825 supports the 802.11ac and 802.11n wireless standards, with full backward compatibility with legacy 802.11a, 802.11b, and 802.11g devices. The WS-AP3825 interoperates fully with Wireless LANs, including support for VoWLAN, branch office mode, guest services, RTLS, availability, and mobility.

**Minimum Firmware Requirements:** New models (Rev 5L and above) require a minimum base firmware of 9.21.08 or 10.01.04. New models can also be identified by the '-1' derivative in the AP ID (WS-AP3825i-1 or WS-AP3825e-1) in the device label.

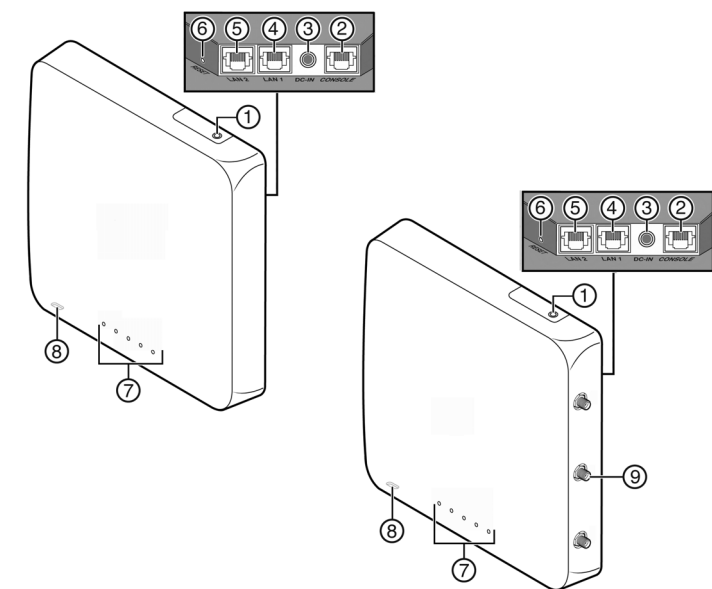
**Note:** The WS-AP3825 is available in both an "i" model (with internal antennas) and an "e" model (with external antennas). In this guide, references to WS-AP3825 apply to both models.

WS-AP3825 models have the following features:

- Radios: 2 radios (2.4 GHz and 5 GHz)
- LEDs: 5 (see [Figure 2](#))
- Power: PoE 802.3af; DC power supply (see [Table 1](#))
- Antennas:
  - WS-AP3825i: 6 **internal** single band antenna assemblies
  - WS-AP3825e: 6 **external** RSMA antenna connectors (external antennas must be ordered separately)
- Mounting brackets for 15/16" drop ceiling T-bar rail:
  - 1 protruded drop ceiling rail bracket
  - 1 flat drop ceiling rail bracket

In [Figure 1](#), the figure on the left shows a front view of the WS-AP3825i. The figure on the right shows a front view of the WS-AP3825e.

**Figure 1 Front View of Access Points**



- |                                 |                                 |
|---------------------------------|---------------------------------|
| 1 (not used)                    | 6 Reset Switch                  |
| 2 Console Port                  | 7 LEDs                          |
| 3 External DC Power Supply Port | 8 (bottom) Kensington Lock Slot |
| 4 LAN Port 1                    | 9 RSMA Conn. (e model only)     |
| 5 LAN Port 2                    |                                 |

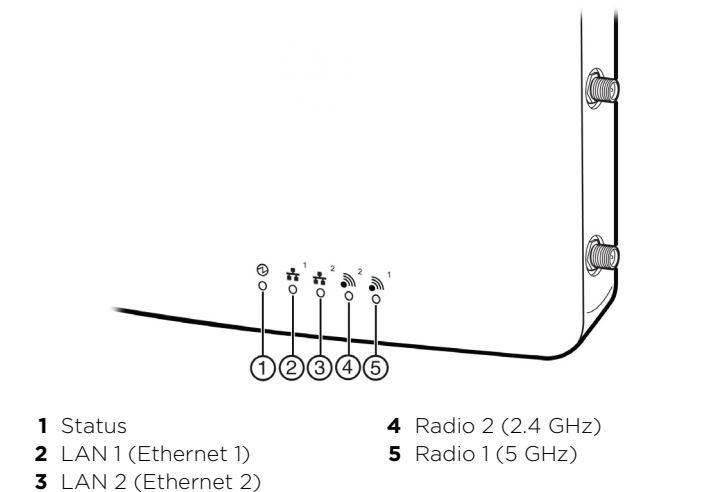
Table 1 shows ways to power the WS-AP3825.

**Table 1 Powering the WS-AP3825**

Power Source	Description
Power over Ethernet (PoE)	Power is provided through the RJ45 Ethernet port (LAN port) on the top of the WS-AP3825. This is the preferred method of powering the AP on ceiling and high wall installations.
External 12V DC power supply (optional)	The WS-AP3825 can also be powered by an external DC power supply plugged into an AC source. Plug the supply's input jack into the DC-In port (callout 3 in <a href="#">Figure 1</a> ).

[Figure 2](#) shows the LEDs on the front of the WS-AP3825.

**Figure 2 LEDs on AP Front Face**



Green LEDs mean ON. Amber LEDs mean OFF.

For detailed installation information about the WS-AP3825, see the *Extreme Networks Wireless AP3825 Installation Guide*.

## Mounting and Connecting the AP

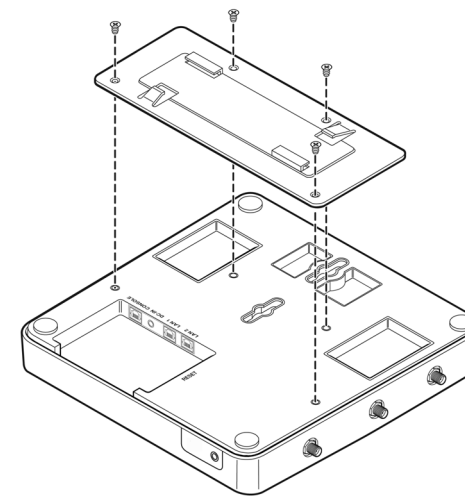
**Electrical Hazard:** Only qualified personnel should perform installation procedures.

Mounting brackets are included for quick and easy mounting of the WS-AP3825 to walls and drop ceilings. Use these instructions as guidelines for mounting and connecting the WS-AP3825 easily and safely.

### Mounting on a Drop Ceiling

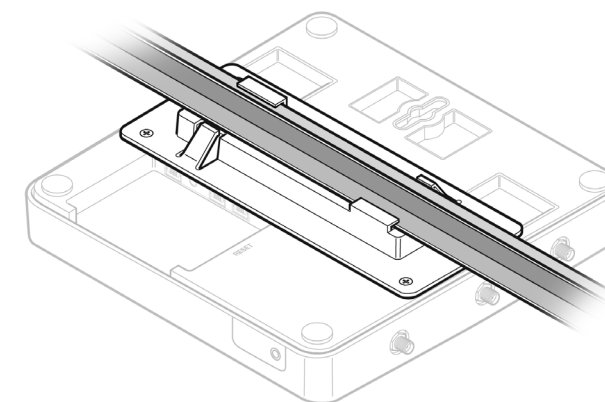
- 1 Attach the T-bar rail mount bracket to the back of the AP. Place the bracket against the AP back, aligned as shown in [Figure 3](#), with screw holes matched up. Screw the provided screws (M3) through the bracket into the AP back as shown in [Figure 3](#).

**Figure 3 Attaching Mount Bracket to AP**



- 2 Remove the ceiling panels around the drop ceiling T-bar rails where you intend to mount the AP. Verify that the Ethernet cable that will connect to the AP can reach the AP at the point where you plan to mount it.
- 3 Hold the AP nearly parallel to the T-bar rail with the bracket against the flat side of the T-bar rail. The clamping tabs fit over the rail easily if you slide one bracket tab over the lip of the rail, at a very slight angle to the rail, and then twist the AP so that the opposite bracket tab slides over the opposite rail lip. There are flex tabs immediately opposite each bracket tab, to stabilize the bracket against the rail during the twisting motion.
- 4 With both bracket tabs over the T-bar rail lips, tap the AP to verify it is stable and won't fall off. [Figure 4](#) illustrates the AP and bracket mounted on a T-bar rail.

**Figure 4 WS-AP3825 Mounted on Drop Ceiling T-bar Rail**



- 5 Make a hole through the ceiling panel closest to the power slot on the AP. Run the Ethernet cable through the hole and into an RJ45 LAN port in the recessed connector bay.
- 6 Replace the displaced ceiling panels.

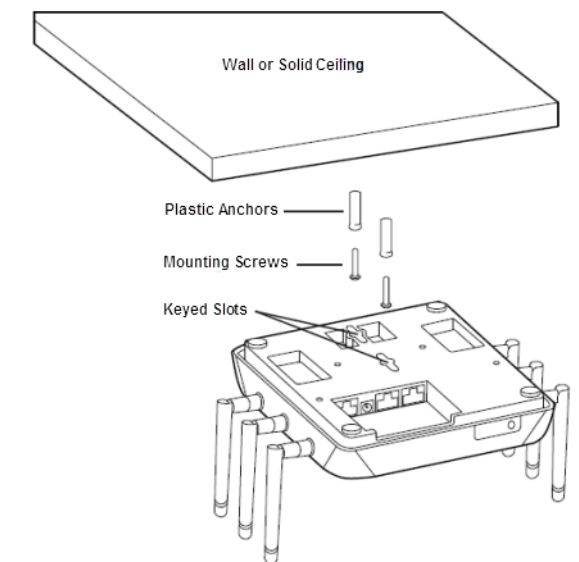
### Mounting on a Wall

- 1 Determine the spot on the wall where the AP is to be mounted, preferably high up on the wall (near the ceiling for maximum radio wave dispersion) but in reach of the Ethernet cable and a wall power outlet if you are not able to use Power over Ethernet.
- 2 Drill two holes in the wall to match the center of the two keyhole slots in the back of the AP. For a tight fit, the

holes should be slightly smaller than the diameter of the provided plastic anchors.

- 3 Tap the plastic anchors into the holes with a hammer until they are flush with the wall, and screw the provided mounting screws into the anchors, with the head protruding 1/16" from the anchor.
- 4 Place the back of the AP against the wall with the protruding mounting screw heads fitting through the keyhole slots on the back of the AP, and slide the AP down until the AP rests on the mounting screw heads. [Figure 5](#) shows an exploded view of this mounting method.

**Figure 5 Mounting the WS-AP3825 to a Flat Wall or Solid Ceiling**



## Connecting a Power Supply to the WS-AP3825

If you need to power the WS-AP3825 with an external 12V DC power supply, you can plug the power cord into the power connector (callout 3 in [Figure 1](#)) on the back of the AP. There is no wall mount for the 12V DC power supply. When the device is powered on, the power LED on the front face of the AP is lit. Refer to the *Extreme Networks Wireless AP3825 Installation Guide* for information about optional power supplies.

## LAN/Console Connections

The WS-AP3825 has two LAN (Ethernet) ports and a Console port. Refer to [Figure 1](#) for the location of these ports. During administration and maintenance through the LAN or Console, the AP must still have a power connection through either an Ethernet PoE cable or a DC power supply.

**Note:** LAN/Console connectors with shrouds will not fit into the ports. Remove the shroud or use an optional jumper cable.

## External Antennas (WS-AP3825e Only)

Install the external antennas intended for area coverage. For information about antenna selection and installation, refer to the *Extreme Networks Wireless AP3825 Installation Guide*.

## Notice

Copyright © 2016 Extreme Networks, Inc. All Rights Reserved.

### Legal Notices

Extreme Networks, Inc., on behalf of or through its wholly-owned subsidiary, Enterasys Networks, Inc., reserves the right to make changes in specifications and other information contained in this document and its website without prior notice. The reader should in all cases consult representatives of Extreme Networks to determine whether any such changes have been made.

The hardware, firmware, software or any specifications described or referred to in this document are subject to change without notice.

### Trademarks

Extreme Networks and the Extreme Networks logo are trademarks or registered trademarks of Extreme Networks, Inc. in the United States and/or other countries.

All other names (including any product names) mentioned in this document are the property of their respective owners and may be trademarks or registered trademarks of their respective companies/owners.

For additional information on Extreme Networks trademarks, please see: [www.extremenetworks.com/company/legal/trademarks/](http://www.extremenetworks.com/company/legal/trademarks/)

### Documentation & Support

For product support, including documentation, visit: [www.extremenetworks.com/support/](http://www.extremenetworks.com/support/)

### Contact

Extreme Networks, Inc.  
145 Rio Robles  
San Jose, CA 95134 USA

Tel: +1 408-579-2800  
Toll-free: +1 888-257-3000

## Regulatory and Compliance Information

### Safety Guidelines

This section contains notices that are intended to protect your personal safety and prevent damage to the equipment.

#### Qualified Personnel:



**Electrical Hazard:** Only qualified personnel should perform installation procedures. Within the context of the safety notes in this documentation, qualified persons are defined as persons who are authorized to commission, ground and label devices, systems, and circuits in accordance with established safety practices and standards. A qualified person understands the requirements and risks involved with installing outdoor electrical equipment in accordance with national codes.

### RF Safety Distance

The antennas used for this transmitter must be installed to provide a separation distance of at least 20 cm from all persons and must not be co-located or operating in conjunction with another antenna or transmitter.

### Federal Communications Commission (FCC) Notice

This device complies with Part 15 of the FCC rules. Operation is subject to the following two conditions: (1) this device may not cause harmful interference, and (2) this device must accept any interference received, including interference that may cause undesired operation.



**Warning:** Changes or modifications made to this device which are not expressly approved by the party responsible for compliance could void the user's authority to operate the equipment.

### Industry Canada Notice

This digital apparatus does not exceed the Class B limits for radio noise emissions from digital apparatus set out in the Radio Interference Regulations for the Canadian Department of Communications.

Le présent appareil numérique n'émet pas de bruits

radioélectriques dépassant les limites applicables aux appareils numériques de la class B prescrites dans le Règlement sur le brouillage radioélectrique édicté par le ministère des Communications du Canada.

Suitable for use in environmental air space in accordance with Section 300.22.C of the National Electrical Code, and Sections 2-128, 12-010(3) and 12-100 of the Canadian Electrical Code, Part 1, C22.1.

Convient à l'espace de ventilation environnemental, conformément à la section 300.22.C du Code national de l'électricité et aux sections 2-128, 12-010(3) et 12-100 du Code canadien de l'électricité, partie 1, C22.1.

### NCC Statement

1) 用 20 cm 計算 MPE 能符合 1mW/cm<sup>2</sup>

電磁波曝露量 MPE 標準值(MPE) 1mW/cm<sup>2</sup>，送測產品實值為 0.263 mW/cm<sup>2</sup> for WS-AP3825i

電磁波曝露量 MPE 標準值(MPE) 1mW/cm<sup>2</sup>，送測產品實值為 0.453mW/cm<sup>2</sup> for WS-AP3825e

**802.11b/802.11g 警語：**

第十二條→經型式認證合格之低功率射頻電機，非經許可，公司、商號或使用者均不得擅自變更頻率、加大功率或變更原設計之特性及功能。  
第十四條→低功率射頻電機之使用不得影響飛航安全及干擾合法通信；經發現有干擾現象時，應立即停用，並改善至無干擾時方得繼續使用。  
前項合法通信，指依電信法規定作業之無線電通信。低功率射頻電機須忍受合法通信或工業、科學及醫療用電波輻射性電機設備之干擾。

**802.11a 警語：**

無線傳輸設備 (UNII)

在 5.25-5.35 赫赫頻帶內操作之無線資訊傳輸設備，限於室內使用。(4.7.5)

無線資訊傳輸設備忍受合法通信之干擾且不得干擾合法通信；如造成干擾，應立即停用，俟無干擾之虞，始得繼續使用。(4.7.6)

無線資訊傳輸設備的製造廠商應確保頻率穩定性，如依製造廠商使用手冊上所述正常操作，發射的信號應維持於操作頻帶中。(4.7.7)

**For WS-AP3825e**

"本器材須經專業工程人員安裝及設定，始得設置使用，且不得直接販售給一般消費者"

### 产品说明书附件 Supplement to Product Instructions

部件名称 (Parts)	有毒有害物质或元素 (Hazardous Substance)					
	铅 (Pb)	汞 (Hg)	镉 (Cd)	六价铬 (Cr <sup>6+</sup> )	多溴联苯 (PBB)	多溴二苯醚 (PBDE)
金属部件 (Metal Parts)	×	○	○	○	○	○
电路模块 (Circuit Modules)	×	○	○	○	○	○
电缆及电缆组件 (Cables & Cable Assemblies)	×	○	○	○	○	○
塑料和聚合物部件 (Plastic and Polymeric parts)	○	○	○	○	○	○
电路开关 (Circuit Breakers)	○	○	○	○	○	○

○：表示该有毒有害物质在该部件所有均质材料中的含量均在 SJ/T 11363-2006 标准规定的限量要求以下。  
Indicates that the concentration of the hazardous substance in all homogeneous materials in the parts is below the relevant threshold of the SJ/T 11363-2006 standard.

×：表示该有毒有害物质至少在该部件的某一均质材料中的含量超出 SJ/T 11363-2006 标准规定的限量要求。  
Indicates that the concentration of the hazardous substance of at least one of all homogeneous materials in the parts is above the relevant threshold of the SJ/T 11363-2006 standard.

对销售之目的所售产品，本表显示。  
抵達供應商的電子信息產品可能包含這些物質。注意：在所售產品中可能會也可能不會含有所有列出的部件。  
This table shows where these substances may be found in the supply chain of Extreme's electronic information products, as of the date of sale of the enclosed product. Note that some of the component types listed above may or may not be a part of the enclosed product.

除非另外特别的标注，此标志为针对所涉及产品的环保使用期标志。某些零部件会有一个不同的环保使用期（例如，电池单元模块）贴在其产品上。 此环保使用期限只适用于产品是在产品手册中所规定的条件下工作。 The Environmentally Friendly Use Period (EFUP) for all enclosed products and their parts are per the symbol shown here, unless otherwise marked. Certain parts may have a different EFUP (for example, battery modules) and so are marked to reflect such. The Environmentally Friendly Use Period is valid only when the product is operated under the conditions defined in the product manual.	
--	--

### European Waste Electrical and Electronic Equipment (WEEE) Notice



In accordance with Directive 2012/19/EU of the European Parliament on waste electrical and electronic equipment (WEEE):

1 The symbol above indicates that separate collection of electrical and electronic equipment is required.

- When this product has reached the end of its serviceable life, it cannot be disposed of as unsorted municipal waste. It must be collected and treated separately.
- It has been determined by the European Parliament that there are potential negative effects on the environment and human health as a result of the presence of hazardous substances in electrical and electronic equipment.
- It is the users' responsibility to utilize the available collection system to ensure WEEE is properly treated.  
For information about the available collection system, please contact Extreme Customer Support at 353 61 705500 (Ireland).

### Hazardous Substances

This product complies with the requirements of Directive 2011/65/EU of the European Parliament and of the Council of 8 June 2011 on the restriction of the use of certain hazardous substances in electrical and electronic equipment.

### Declaration of Conformity in Languages of the European Community

- English Hereby, Extreme Networks, declares that this Radio LAN device is in compliance with the essential requirements and other relevant provisions of Directive 1999/5/EC.
- Finnish Valmistaja Extreme Networks vakuuttaa täten että Radio LAN device tyyppinen laite on direktiivin 1999/5/EY oleellisten vaatimusten ja sitä koskevien direktiivin muiden ehtojen mukainen.
- Dutch Hierbij verklaart Extreme Networks dat het toestel Radio LAN device in overeenstemming is met de essentiële eisen en de andere relevante bepalingen van richtlijn 1999/5/EG.
- Bij deze verklaart Extreme Networks dat deze Radio LAN device voldoet aan de essentiële eisen en aan de overige relevante bepalingen van Richtlijn 1999/5/EC.

- French Par la présente Extreme Networks déclare que l'appareil Radio LAN device est conforme aux exigences essentielles et aux autres dispositions pertinentes de la directive 1999/5/CE.
- Par la présente, Extreme Networks déclare que ce Radio LAN device est conforme aux exigences essentielles et aux autres dispositions de la directive 1999/5/CE qui lui sont applicables.
- Swedish Härmed intygar Extreme Networks att denna Radio LAN device står i överensstämmelse med de väsentliga egenskapskrav och övriga relevanta bestämmelser som framgår av direktiv 1999/5/EG.
- Danish Undertegnede Extreme Networks erklærer herved, at følgende udstyr Radio LAN device overholder de væsentlige krav og øvrige relevante krav i direktiv 1999/5/EF.

- German Hiermit erkläre Extreme Networks die Übereinstimmung des "WLAN Wireless Controller bzw. Access Points" mit den grundlegenden Anforderungen und den anderen relevanten Festlegungen der Richtlinie 1999/5/EG.

- Greek ΜΕ ΤΗΝ ΠΑΡΟΥΣΑ Extreme Networks ΔΗΛΩΝΕΙ ΟΤΙ Radio LAN device ΣΥΜΜΟΡΦΟΝΕΤΑΙ ΠΡΟΣ ΤΙΣ ΟΥΣΙΩΔΕΙΣ ΑΠΑΙΤΗΣΕΙΣ ΚΑΙ ΤΙΣ ΛΟΙΠΕΣ ΣΧΕΤΙΚΕΣ ΔΙΑΤΑΞΕΙΣ ΤΗΣ ΟΔΗΓΙΑΣ 1999/5/ΕΚ.

- Icelandic Extreme Networks lýsir her með yfir að thessi bunadur, Radio LAN device, uppfyllir allar grunnkröfur, sem gerðar eru í R&TTE tilskipun ESB nr 1999/5/EC.

- Italian Con la presente Extreme Networks dichiara che questo Radio LAN device è conforme ai requisiti essenziali ed alle altre disposizioni pertinenti stabilite dalla direttiva 1999/5/CE.

- Spanish Por medio de la presente Extreme Networks declara que el Radio LAN device cumple con los requisitos esenciales y cualesquiera otras disposiciones aplicables o exigibles de la Directiva 1999/5/CE.

- Portuguese Extreme Networks declara que este Radio LAN device está conforme com os requisitos essenciais e outras disposições da Directiva 1999/5/CE.

- Malti Hawnekk, Extreme Networks, jiddikjara li dan Radio LAN device jikkonforma mal-htigijiet essenzjali u ma provvedimenti oħrajn rilevanti li hemm fid-Dirrettiva 1999/5/EC.

# Extreme Networks Wireless Access Points

## Quick Reference

WS-AP3825i  
WS-AP3825e