

# ExtremeWireless 802.11ax AP302W Indoor Access Point

## AP302W Overview

The AP302W access point is an indoor model 802.11ax wallplate access point. The access point supports Wi-Fi 6, features built-in dual-band radios, and four internal antennas. The AP302W access point can be mounted on a flat surface such as a wall, to a junction box, and can be installed on a desk stand.

**Note:** The AP302W requires a minimum base firmware of WiNG 7.6.0 or IQEngine 10.3r0.

The AP302W access point has the following features:

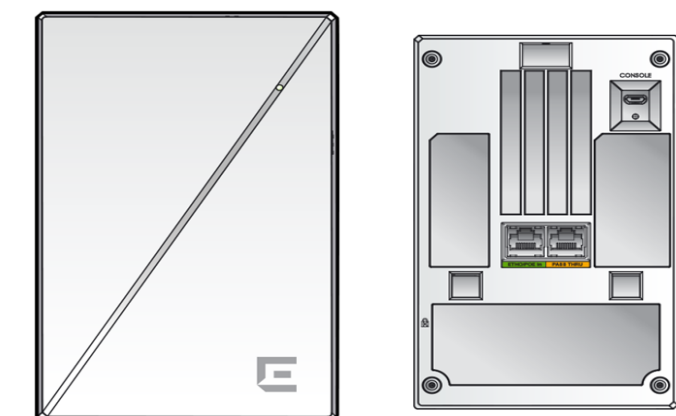
- Radio technology:
  - 802.11ax, 2x2:2 2.4 GHz
  - 802.11ax, 2x2:2 5 GHz
  - Integrated Bluetooth Low Energy (BLE) and Zigbee
- Console port: custom micro-USB cable
- Six, 10/100/1000 Mbps ports:
  - Rear ports:
    - One Ethernet (ETH) port with Power over Ethernet (PoE) in
    - One pass through port
  - Bottom ports:
    - Two ETH ports
    - One ETH port with power-sourcing-equipment (PSE)
    - One pass through port
- LEDs: One
  - The LED indicator will be on during reset
- One software reset button
- One Kensington lock
- One USB 2.0 type A connector, supports up to 2.5W
- Power: PoE 802.3at and 802.3af (see Table 1 for details)
- Antennas: three internal omni-directional 2.4G/5G dual-band antennas and one internal omni-directional 5G antenna
- Temperature:
  - Operating temperature: 0 °C to +40 °C (+32 °F to +104 °F)
  - Non-operating temperature: -40 °C to +70 °C (-40 °F to +158 °F)
- Enclosure: Plastic

**Table 1 AP302W Power source**

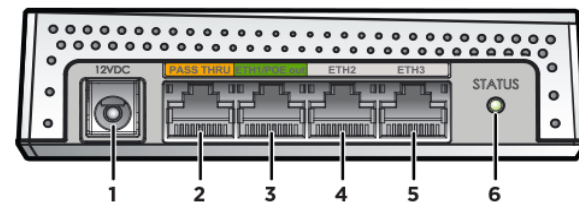
Power source	Description	PSE port (up to 12.5 W)	USB port (2.5 W)
PoE at 802.3at	802.3at is provided through ETH0	Yes	Yes
802.3af	802.3af is provided through ETH0	No	Yes
External 12 VDC power supply (optional; ordering part #37215- PWR 12 VDC, 2A, 2.5 mm x 5.5 mm connector)	Power is provided through an external DC power supply plugged into an AC source	No	Yes

**Note:** PoE power is disabled when external power supply is used.

**Figure 1 Front and back views of AP302W**



**Figure 2 Bottom ports on AP302W access point**



**Table 2 Bottom ports on AP302W access point**

Callout	Description
1	12 VDC power supply
2	Pass through port
3	ETH1 and PoE out port
4	ETH2 port
5	ETH3 port
6	Status LED

### Status LED

- Steady green: The device has a Control and Provisioning of Wireless Access Points (CAPWAP) connection to ExtremeCloud IQ and is operating normally.
- Slow-blinking green: The device has a CAPWAP connection to ExtremeCloud IQ, but is operating on 802.3af power instead of 802.3at power.
- Steady amber: The device is initializing, rebooting, or is running without a CAPWAP connection.
- Slow-blinking amber: The device has no CAPWAP connection to ExtremeCloud IQ, and is operating on 802.3af power instead of 802.3at power.
- Fast-blinking amber: The device is upgrading its IQ Engine firmware.
- Dark: power is off.

### Light Sensor

The light sensor is located on the front face of the access point but is not visibly marked.

### AP302W Box Contents

Ensure that the following items are available:

**Table 3 Contents of the AP302W Box**

Quantity	Item
1	AP302W Quick Reference
1	Access point
1	Mounting bracket for wall or junction box or solid ceiling
1	Flat head T8 locking screw
2	Flat pan head 6-32, 14 mm long black screws for USA junction box attachment
2	Pan head M3.5x16 mm long screws for solid wall or anchor attachment
2	25 mm long white plastic screw-in anchors
1	100 mm RJ45 cable (not including connectors), CAT.5E flat LAN cable

All optional brackets and accessories are sold separately. For detailed installation instructions about all mounting procedures, refer to the *ExtremeWireless AP302W Access Point Installation Guide* in the [Extreme Networks Documentation Support site](#).

### Install the Access Point

**Electrical Hazard:** Only qualified personnel must perform installation procedures.

Use these instructions as guidelines for mounting and connecting the AP302W access points easily and safely. The AP302W comes with a stainless-steel mounting bracket that can be used to mount the access point on flat surfaces such as a wall or solid ceiling, or to a junction box. An optional desk stand is available for mounting the access point to a desk.

**Note:** For system Ethernet lines with receptacle, use the included RJ45 to RJ45 cable to connect the Ethernet cable to the access point. For system Ethernet lines without receptacle, connect the system Ethernet cable into the access point back ETH0 port.

### Tools Required

**Note:** The installer must supply the required tools for installation.

- One #2 Phillips head screwdriver
- One torx screwdriver with T8 or VT8 bit

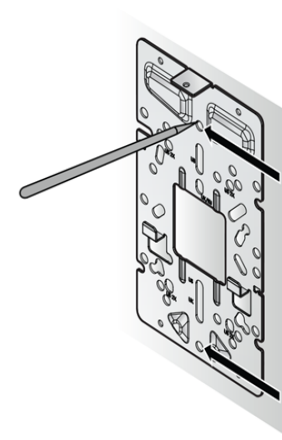
### Install the Access Point on a Wall

#### Pre-installation checklist:

- The mounting surface, item, and hardware must be able to support the access point in all environmental conditions.
- The mounting surface must be flat.

- Using the wall plate stainless-steel mounting bracket as a template, mark and drill the wall installation holes on the wall.
- Insert the screws into the mounting bracket wall installation holes as shown in [Figure 3](#), and use the screw-in anchors, if needed.

**Figure 3 Wall installation holes**



- Insert the Ethernet cable into the ETH0 port.
- Insert the access point onto the bracket locking tab and slide it down until it is fully seated onto the bracket.
- Attach the security locking screw to the security locking tab on the wall bracket, and lock the access point in place.

If you want to install the access point on a solid ceiling or a dry wall, you need to create a hole from behind the wall to run the RJ45 cable. For more information, refer to the *ExtremeWireless AP302W Access Point Installation Guide*.

### Install the Access Point on a Junction Box

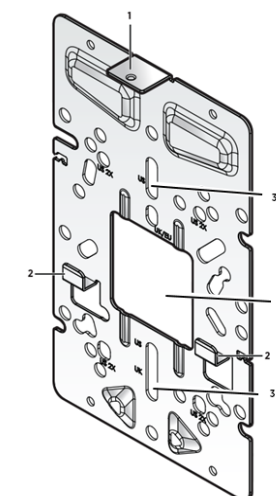
Use the stainless steel mounting bracket to mount the access point on a junction box.

- Remove the screws from the junction box.
- Line up the bracket holes with the large hole on the junction box.

**Note:** When you line up the holes, the bracket locking tab must be pointing up and the box must be fully covered by the bracket.

- Using the aligned holes, attach the bracket to the box using the screws removed from the junction box earlier.

**Figure 4 Wall plate mounting bracket for wall or junction box**



**Table 4 Stainless-steel mounting bracket parts**

Callout	Description
1	Security locking tab
2	Access point holding tabs
3	Junction box installation hole
4	Large hole to place on the junction box and run the RJ45 cable through

- Connect the Ethernet cable or the RJ45 flat cable to the access point.
- Align the access point slots with the bracket holding tabs, and then slide the access point onto the bracket until it is fully seated in place.

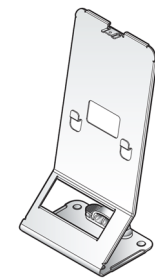
- Using a security torx T-8 or a VT-8 screw, secure the bracket locking tab for physical security.

### Install the Access Point on a Desk Stand

Use the optional desk stand, that need to be purchased separately, for this installation.

- Place the desk stand on the installation surface.
- Route the cables up to the desk stand.
- If desired, attach the desk stand to the installation surface using two self-tapping screws.
- Line up the access point on the desk stand mounting tabs.

**Figure 5 Desk stand**



- Slide the access point on the desk stand until it is fully seated and lock it in place.
- Attach the security locking tab screw to the security locking tab on the desk stand, and lock the access point in place.
- Insert the RJ45 cable into the access point.

### Connect a Power Supply

If you need to power the AP302W access point with an external 12 VDC power supply, you can plug the power cord into the power connector on the bottom of the access point. There is no wall mount for the 12 VDC power supply. The power LED on the front face of the access point is lit when the power supply is connected. For information about optional power supplies, refer to the *ExtremeWireless AP302W Access Point Installation Guide*.

### Professional Installation Instruction

#### Installation personnel

This product is designed for specific application and needs to be installed by a qualified personnel who has RF and related rule knowledge. The general user shall not attempt to install or change the setting.

#### Installation procedure

Refer to the *ExtremeWireless AP302W Access Point Installation Guide*.

**Warning:** Select the installation position and ensure that the final output power does not exceed the limit set forth in relevant rules. The violation of the rule could lead to serious federal penalty.

### Instructions d'installation professionnelle

#### Installation

Ce produit est destiné à un usage spécifique et doit être installé par un personnel qualifié maîtrisant les radiofréquences et les règles s'y rapportant. L'installation et les réglages ne doivent pas être modifiés par l'utilisateur final.

#### Procédure d'installation

Consulter le manuel d'utilisation *ExtremeWireless AP302W Access Point Installation Guide*.

**Warning: Avertissement:** Choisir avec soin la position d'installation et s'assurer que la puissance de sortie ne dépasse pas les limites en vigueur. La violation de cette règle peut conduire à de sérieuses pénalités fédérales.

### GE and Console Connections

The AP302W has four GE (Ethernet) ports and a Console port. During administration and maintenance through the Console, the access point must still have a power connection through either an Ethernet PoE cable or an external DC power supply.

### Internal Antenna Configuration Information

**Table 5 AP302W antenna configuration**

Software mode	Radio 1	Radio 2	Description
Mode 1	2.4 GHz	5 GHz - full	Dual-band dual concurrent
Mode 2	2 GHz/ 5 GHz - full	5 GHz - full	R1 unlocked sensor
Mode 3	5 GHz - low	5 GHz - high	Dual 5 GHz band

## Regulatory and Compliance Information Safety Guidelines

This section contains notices that are intended to protect your personal safety and to prevent damage to the equipment.

### Qualified Personnel:

**Electrical Hazard:** Only qualified personnel must perform installation procedures. Within the context of the safety notes in this documentation, qualified persons are defined as persons who are authorized to commission grounding devices, systems, and circuits in accordance with established safety practices and standards. A qualified person understands the requirements and risks involved with installing outdoor electrical equipment in accordance with national codes.

**Warning: MPE Statement - Mobile device:** This equipment complies with EU radiation exposure limits set forth for an uncontrolled environment. This equipment should be installed and operated with minimum distance of 23 cm between the radiator and your body.

### Federal Communications Commission (FCC) Notice

**Warning:** This device is restricted for indoor use.

This equipment has been tested and found to comply with the limits for a Class B digital device, pursuant to Part 15 of the FCC Rules. These limits are designed to provide reasonable protection against harmful interference in a residential installation. This equipment generates, uses and can radiate radio frequency energy and, if not installed and used in accordance with the instructions, may cause harmful interference to radio communications. However, there is no guarantee that interference will not occur in a particular installation. If this equipment does cause harmful interference to radio or television reception, which can be determined by turning the equipment off and on, the user is encouraged to try to correct the interference by one of the following measures:

- Reorient or relocate the receiving antenna.
- Increase the separation between the equipment and receiver.
- Connect the equipment into an outlet on a circuit different from that to which the receiver is connected.
- Consult the dealer or an experienced radio/TV technician for help.

**Caution:** Any changes or modifications not expressly approved by the party responsible for compliance could void the user's authority to operate this equipment.

This device complies with Part 15 of the FCC Rules. Operation is subject to the following two conditions: (1) This device may not cause harmful interference, and (2) this device must accept any interference received, including interference that may cause undesired operation. This transmitter must not be co-located or operating in conjunction with any other antenna or transmitter.

**Warning: FCC Radiation Exposure Statement:** This equipment complies with FCC radiation exposure limits set forth for an uncontrolled environment. This equipment should be installed and operated with minimum distance of 23 cm between the radiator and your body.

### Industry Canada Notice

**Warning:** For indoor use only.  
Pour une utilisation en intérieur uniquement.

This device complies with ISSED's licence-exempt RSSs. Operation is subject to the following two conditions: (1) This device may not cause harmful interference, and (2) this device must accept any interference received, including interference that may cause undesired operation.

Le présent appareil est conforme aux CNR d' ISSED applicables aux appareils radio exempts de licence. L'exploitation est autorisée aux deux conditions suivantes : (1) Le dispositif ne doit pas produire de brouillage préjudiciable, et (2) ce dispositif doit accepter tout brouillage reçu, y compris un brouillage susceptible de provoquer un fonctionnement indésirable.

**Caution:** The device for operation in the band 5150-5250 MHz is only for indoor use to reduce the potential for harmful interference to co-channel mobile satellite systems.

**Caution: Avertissement:** les dispositifs fonctionnant dans la bande 5150-5250 MHz sont réservés uniquement pour une utilisation à l'intérieur afin de réduire les risques de brouillage préjudiciable aux systèmes de satellites mobiles utilisant les mêmes canaux.

**Warning: IC Radiation Exposure Statement:** This equipment complies with ISSED radiation exposure limits set forth for an uncontrolled environment. This equipment should be installed and operated with minimum distance of 23 cm between the radiator and your body.

**Warning: Déclaration d'exposition aux radiations:** Cet équipement est conforme aux limites d'exposition aux rayonnements ISSED établies pour un environnement non contrôlé. Cet équipement doit être installé et utilisé avec un minimum de 23 cm de distance entre la source de rayonnement et votre corps.

This radio transmitter [IC: 4141B-AP302W] has been approved by Innovation, Science and Economic Development Canada to operate with the antenna types listed in *Extreme Wireless AP302W Access Point Installation Guide*, with the maximum permissible gain indicated. Antenna types not included in this list that have a gain greater than the maximum gain indicated for any type listed are strictly prohibited for use with this device. Le présent émetteur radio [IC: 4141B-AP302W] a été approuvé par Innovation, Sciences et Développement économique Canada pour fonctionner avec les types d'antenne répertoriés dans le Guide d'installation des points d'accès sans fil extrêmes AP302W, avec le un gain admissible maximal. Les types d'antenne non inclus dans cette liste, et

dont le gain est supérieur au gain maximal indiqué pour tout type figurant sur la liste, sont strictement interdits pour l'exploitation de l'émetteur.

### Australia Notice

**Warning: AU co-location MPE Statement:** This equipment complies with AU radiation exposure limits set forth for an uncontrolled environment. This equipment should be installed and operated with minimum distance of 24 cm between the radiator and your body.

### Other Countries

#### Japan

5 GHz band (W52, W53). Indoor use only, except for communication with high power radio.

#### Brazil

Este produto está homologado pela ANATEL, de acordo com os procedimentos regulamentados pela Resolução nº. 242/2000 e atende aos requisitos técnicos aplicados. Este equipamento não tem direito à proteção contra interferência prejudicial e não pode causar interferência em sistemas devidamente autorizados. Para maiores informações, consulte o site da ANATEL – [www.anatel.gov.br](http://www.anatel.gov.br)

### Hazardous Substances

This product complies with the requirements of Directive 2011/65/EU of the European Parliament and of the Council of 8 June 2011 on the restriction of the use of certain hazardous substances in electrical and electronic equipment.

單元 Unit	Restricted substances and their chemical symbols 限制物質及其化學符號					
	鉛Lead (Pb)	汞Mercury (Hg)	鎘Cadmium (Cd)	六價鉻Hexavalent chromium (Cr <sup>6+</sup> )	多溴聯苯Polychlorinated biphenyls (PCBs)	多溴二苯醚Polychlorinated diphenyl ethers (PBDEs)
金屬零件 (Metal Parts)	○	○	○	○	○	○
電源模組 (Current Module)	--	○	○	○	○	○
電纜及電纜組件 (Cable & Cable Assemblies)	○	○	○	○	○	○
塑料和聚合物零件 (Plastic and Polymeric Parts)	○	○	○	○	○	○

備考1: "超出0.1 wt %" 及 "超出0.01 wt %" 係指限制物質之百分比含量超出百分比含量基準值。  
Note 1: "Exceeding 0.1 wt %" and "exceeding 0.01 wt %" indicate that the percentage content of the restricted substance exceeds the reference percentage value of presence condition.

備考2: "○" 係指該項限制物質之百分比含量未超出百分比含量基準值。  
Note 2: "○" indicates that the percentage content of the restricted substance does not exceed the percentage of reference value of presence.

備考3: "--" 係指該項限制物質為排除項目。  
Note 3: The "--" indicates that the restricted substance corresponds to the exemption.

### NCC Statement

低功率電波輻射性電機管理辦法第十二條 經型式認證合格之低功率射頻電機,

非經許可, 公司、商號或使用者均不得擅自變更頻率、加大功率或變更原設計之特性及

功能。

第十四條 低功率射頻電機之使用不得影響飛航安全及干擾合法通信;

經發現有和干擾現象時, 應立即停用, 並改善至無干擾時方得繼續使用。

前項合法通信, 指依電信法規定作業之無線電通信。

低功率射頻電機須忍受合法通信或工業、科學及醫療用電波輻射性電機設備之干擾。

1. 使用此產品時應避免影響附近雷達系統之操作。

### CE Information

The device is restricted to indoor use only when operating in the 5150 to 5350 MHz frequency range.

**Warning: CE co-location MPE Statement:** This equipment complies with CE radiation exposure limits set forth for an uncontrolled environment. This equipment should be installed and operated with minimum distance of 20 cm between the radiator and your body.

	AT	BE	BG	HR	CY	CZ	DK
	EE	FI	FR	DE	EL	HU	IE
	IT	LV	LT	LU	MT	NL	PL
	PT	RO	SK	SI	ES	SE	UK

### All Operational Modes

#### AP302W

2.4GHz: 802.11b, 802.11g, 802.11n (HT20), 802.11n (HT40), 802.11ax (HEW20), 802.11ax (HEW40), 802.15.4 (Thread), Bluetooth (LE)  
5GHz: 802.11a, 802.11n (HT20), 802.11n (HT40), 802.11ac (VHT20), 802.11ac (VHT40), 802.11ac (VHT80), 802.11ac (VHT160), 802.11ax (HEW20), 802.11ax (HEW40), 802.11ax (HEW80), 802.11ax (HEW160)

The frequency and the maximum transmitted power in EU are listed below:

2412-2472 MHz: 19.98 dBm

2402-2480 MHz (LE): 7.78 dBm

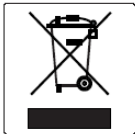
5180-5240 MHz: 22.99 dBm

5260-5320 MHz: 22.99 dBm

5500-5700 MHz: 29.99 dBm

2405-2480 MHz: 7.79 dBm

## European Waste Electrical and Electronic Equipment (WEEE) Notice



In accordance with Directive 2012/19/EU of the European Parliament on waste electrical and electronic equipment (WEEE):

- The symbol above indicates that separate collection of electrical and electronic equipment is required.
- When this product has reached the end of its serviceable life, it cannot be disposed of as unsorted municipal waste. It must be collected and treated separately.
- It has been determined by the European Parliament that there are potential negative effects on the environment and human health as a result of the presence of hazardous substances in electrical and electronic equipment.
- It is the users' responsibility to utilize the available collection system to ensure WEEE is properly treated. For information about the available collection system, please contact Extreme Environmental Compliance at [Green@extremenetworks.com](mailto:Green@extremenetworks.com).

### Declaration of Conformity in Languages of the European Community

English Hereby, Extreme Networks declares that the radio equipment type (AP302W) is in compliance with Directive 2014/53/EU. For full text of the EU Declaration of Conformity, please contact Extreme Regulatory Compliance at [compliancerequest@extremenetworks.com](mailto:compliancerequest@extremenetworks.com)

Finnish Täten Extreme Networks vakuuttaa, että Radio laite tyyppi (AP302W) on direktiivin 2014/53/EU mukainen.EU vaatimustenmukaisuusvakuutuksen täydellisestä tekstistä ota yhteyttä äärimmäisiin viranomaisiin säädöksiin osoitteessa [compliancerequest@extremenetworks.com](mailto:compliancerequest@extremenetworks.com)

Dutch Extreme Networks verklaart hierbij dat het type radioapparatuur (AP302W) in overeenstemming is met richtlijn 2014/53/EU.Voor de volledige tekst van de EU-conformiteitsverklaring u contact opnemen met extreme regelgeving op [compliancerequest@extremenetworks.com](mailto:compliancerequest@extremenetworks.com)

French Par la présente, Extreme Networks déclare que le type d'équipement radio (AP302W) est conforme à la directive 2014/53/UE.Pour le texte intégral de la Déclaration de conformité de l'UE, veuillez communiquer avec Extreme Regulatory Compliance à [compliancerequest@extremenetworks.com](mailto:compliancerequest@extremenetworks.com)

Swedish Härmed intygar Extreme Networks att radioutrustning typ (AP302W) överensstämmer med direktiv 2014/53/EU.För fullständig text av EU-försäkran om överensstämmelse, vänligen kontakta Extreme regelförfarlevnad på [compliancerequest@extremenetworks.com](mailto:compliancerequest@extremenetworks.com)

Danish Herved erklærer Extreme Networks, at radioudstyrs typen (AP302W) er i overensstemmelse med direktiv 2014/53/EU.For den fulde ordlyd af EU-overensstemmelseserklæringen bedes du kontakte Extreme Regulatory Compliance på [compliancerequest@extremenetworks.com](mailto:compliancerequest@extremenetworks.com)

German Dabei erklärt Extreme Networks, dass der Funkgerätetyp (AP302W) mit der Richtlinie 2014/53/EU im Einklang steht.Für den vollständigen Wortlaut der EU-Konformitätserklärung wenden Sie sich bitte an extreme Regulatory Compliance unter [compliancerequest@extremenetworks.com](mailto:compliancerequest@extremenetworks.com)

Greek Με την παρούσα, ακραία δίκτυα δηλώνουν ότι ο τύπος του ραδιοεξοπλισμού (AP302W) συμμορφώνεται με την οδηγία 2014/53/EE.Για το πλήρες κείμενο της δήλωσης συμμόρφωσης EE, παρακαλούμε επικοινωνήστε με την ακραία κανονιστική συμμόρφωση στο [compliancerequest@extremenetworks.com](mailto:compliancerequest@extremenetworks.com)

Icelandic Hérilendis, Extreme Networks, lýsa því yfir að útlæringsbúnaðargerðin (AP302W) sé í samræmi við tilskipun 2014/53/ESB.Fyrir fullan texta í ESB yfirlýsingu um samræmi, vinsamlegast hafðu samband við Extreme Regluflygni á [compliancerequest@extremenetworks.com](mailto:compliancerequest@extremenetworks.com)

Italian Di conseguenza, Extreme Networks dichiara che il tipo di apparecchiatura radio (AP302W) è conforme alla direttiva 2014/53/EU.Per il testo integrale della Dichiarazione di conformità dell'UE, contattare Extreme Regulatory Compliance presso [compliancerequest@extremenetworks.com](mailto:compliancerequest@extremenetworks.com)

Spanish Por la presente, Extreme Networks declara que el tipo de equipo radioeléctrico (AP302W) cumple con la Directiva 2014/53/UE.Para obtener el texto completo de la Declaración de conformidad de la UE, póngase en contacto con Extreme Regulatory Compliance en [compliancerequest@extremenetworks.com](mailto:compliancerequest@extremenetworks.com)

Portuguese Por este meio, a Extreme Networks declara que o tipo de equipamento de rádio (AP302W) está em conformidade com a Diretiva 2014/53/UE.Para obter o texto integral da Declaração de Conformidade da UE, contacte o cumprimento regulamentar extremo em [compliancerequest@extremenetworks.com](mailto:compliancerequest@extremenetworks.com)

Malti B' dan, netwerks estremi, jiddikjara li t-tip ta ' taghmir tar-radju (AP302W) huwa konformi mad-Direttiva 2014/53/UE.Għat-test shih tad-dikjarazzjoni ta ' konformità tal-UE, jekk jogħgbok ikkuntattja lill-konformità regolatorja [compliancerequest@extremenetworks.com](mailto:compliancerequest@extremenetworks.com)

# Extreme Wireless™ Indoor Access Point

## Quick Reference

AP302W

### Notice

Copyright © 2020 Extreme Networks, Inc. All Rights Reserved.

### Legal Notices

Extreme Networks, Inc. reserves the right to make changes in specifications and other information contained in this document and its website without prior notice. The reader should in all cases consult representatives of Extreme Networks to determine whether any such changes have been made.

The hardware, firmware, software or any specifications described or referred to in this document are subject to change without notice.

### Trademarks

Extreme Networks and the Extreme Networks logo are trademarks or registered trademarks of Extreme Networks, Inc. in the United States and/or other countries.

All other names (including any product names) mentioned in this document are the property of their respective owners and may be trademarks or registered trademarks of their respective companies/owners.

For additional information on Extreme Networks trademarks, please see: [www.extremenetworks.com/company/legal/trademarks/](http://www.extremenetworks.com/company/legal/trademarks/)

### Documentation, Installation Videos, and Support

For product support, including Documentation and Installation Videos, visit: [www.extremenetworks.com/documentation](http://www.extremenetworks.com/documentation)

P/N 9036814-02 Rev AB