

ExtremeWireless 802.11ax AP360i/e Access Points

AP360i/e Overview

The AP360i/e access points are enterprise class 802.11ax access points. The "i" in AP360i indicates that the access point comes with internal antennas and the "e" in AP360e indicates that it comes with external antenna connectors. Each access point features a dual-band radio, one band-locked WiFi radio, one Bluetooth radio, four WiFi internal or external antennas, and one Bluetooth Low Energy (BLE) antenna.

The AP360i/e can be mounted on a flat surface such as a wall or to a pole.

Note: The AP360i/e requires a minimum base firmware of WiNG 7.3.1.

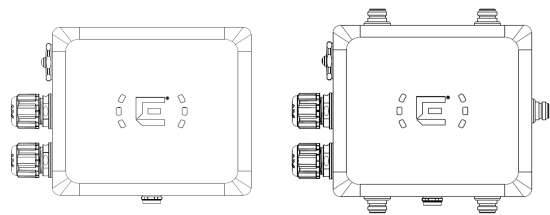
Each access point has the following features:

- Radios:
 - Two 802.11ax radios (one 2X2 2.4GHz and 5GHz radio, and one 2X2 5GHz radio)
 - One IoT Radio (2.4GHz)
- Console port: RJ45
- Two Ethernet ports:
 - 1 x 100/1000 Mbps auto-negotiation Ethernet port, RJ45
 - 1 x 10/100/1000 Mbps auto-negotiation Ethernet port, RJ45
- LEDs: Six
 - All LEDs will be on during reset
 - One reset button
- Power: PoE 802.3af (for power source information, see Table 1: AP360i/e Power source)
- Antennas:
 - Four WiFi internal antennas on AP360i and four WiFi external antennas on AP360e
 - One BLE internal antenna on AP360i and one BLE external antenna port on AP360e
- Temperature:
 - 40°C to +60°C (-40°F to +140°F) @ 6000 ft.
- Enclosure: Plastic

Table 1 AP360i/e Power source

Power source	Description
Power over Ethernet (PoE)	Power is provided through the RJ45 Ethernet port (GE1) of AP360i/e, compliant to be powered with 802.3at and 802.3bt to provide full functionality. For reduced functionality, use 802.3af.

Figure 1 Front views of AP360i and AP360e



LED Indicators

The LED indicators are located on the front face of the access point but are not visibly marked.

Table 2 AP360i/e LED indicators

LED indicator	LED color	Description
Status	Green	Normal operational status
	Amber	Non-operational status
GE1	Green	1000 Mbps
	Amber	100 Mbps
GE2	Green	1000 Mbps
	Amber	100 Mbps
Radio 1	Green	2.4G activity
	Amber	5G activity
Radio 2	Amber	5G activity
IoT (BLE)	Blue	Indicates BLE is enabled

AP360i/e Box Contents

Ensure that the following items are available:

Table 3 Contents of the AP360i/e box

Quantity	Item
1	AP360i/e Quick Reference
1	Access point (AP360i or AP360e)
1	Hardware bag: <ul style="list-style-type: none"> One M4 pan-head ground screw One M4 ring terminal One star washer

Access Point Mounting Options

Each access point can be mounted on a wall or to a pole by purchasing separate mounting brackets, which are described in the following table.

Table 4 AP360i/e mounting bracket usage

Mounting bracket and part number	Wall install	Pole install	Notes
KT-147407-02 bracket	Yes	Yes	KT-147407-02 bracket parts: <ul style="list-style-type: none"> Flat part 1-axis tilt part Pole part For attaching to a wall or to a flat surface, use the bracket part that has two holes on the surface of the metal portion; also called the flat part. For attaching to a pole, if 1-axis tilt is not required, attach the pole part of the bracket to the access point. If 1-axis tilt is required, attach the pole part of the KT-147407-02 bracket on top of the second wall part.
KT-150173-01 extension arm. It can be used with KT-147407-02 bracket parts to provide an extension or a tilt	Yes. Use the KT-147407-02 flat part, for installations that require a tilt	Yes. Use the KT-147407-02 bracket pole part or use all three KT-147407-02 bracket parts	The KT-150173-01 extension arm can also be used by itself without the other KT-147407-02 bracket parts.
MBO-ART02 10 in. (254 mm) 2-axis articulating mounting bracket	Yes	Yes. Attach the MBO-ART02 articulating mounting bracket to the WS-MBO-POLE01 bracket	The wall must be strong enough to support the access point during inclement weather.
WS-MBO-POLE01 bracket	No	Yes. The POLE01 bracket can be used only with the MBO-ART02 articulating mounting bracket	If the pole diameter is ≥ 1.0 in. (25.4 mm), use a small cable clamp. If the pole diameter is between 5.0 in. - 7.0 in. (127.0 mm - 178.0 mm), use a large cable clamp. For any other pole diameter, provide your own stainless-steel cable clamp. The band must be 0.5 in. (12.7 mm) wide.
WS-MBV-VMM vehicle bracket (#32216)	Yes	No	VMM vehicle bracket parts: <ul style="list-style-type: none"> Flat part with thumbscrews Stiffener plate 1 Stiffener plate 2 Vehicle attach assembly plate

All mounting brackets are sold separately. For detailed installation instructions about all mounting procedures, refer to the *ExtremeWireless Access Points AP360i/e Installation Guide* in the *Extreme Networks Documentation Support* site.

Install the Access Point

When you install the access point, the vent must be on the side closest to the ground and not above the plastic enclosure. You must provide a 3.0 in. (76.2 mm) drip loop on all cables.

Note: The BLE antenna comes with a dust cap on it. Do not remove the dust cap until are ready to install the antenna.

Electrical Hazard: Only qualified personnel should perform installation procedures.

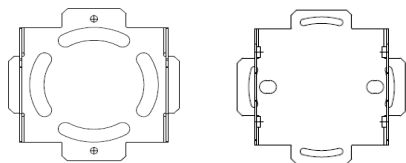
Use these instructions as guidelines to mount and connect the AP360i/e access points easily and safely.

Install the Access Point on a Wall or a Flat Surface

Option 1: Install the Access Point to a Flat Surface Using the KT-147407-02 Flat Part and the 1-axis Tilt Part

The KT-147407-02 bracket has three bracket parts; flat part, 1-axis tilt part, and the pole part.

Figure 2 KT-147407-02 bracket flat part and 1-axis tilt part



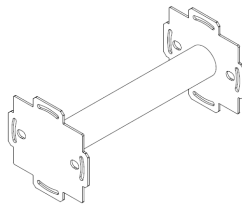
Note: The flat part and the 1-axis tilt part can be used interchangeably to attach to the access point.

- Attach the flat part to the access point using two M6 screws.
- Using the 1-axis tilt part as a template, mark and drill four holes on a wall or on a flat surface.
- Attach the 1-axis tilt part to a wall or to a flat surface using four M6 screws.
- Align the flat part inside the 1-axis tilt part, and attach the flat part to the 1-axis tilt part using four M6 screws.
- Tilt the access point to a desired angle and tighten the four M6 screws to a torque of 45 in-lbs. The tilt bracket can be adjusted from +15 degrees to -15 degrees of tilt.

Option 2: Install the Access Point to a Flat Surface Using the KT-147407-02 Flat Part, 1-axis tilt-Part, and KT-150173-01 Extension Arm

The KT-150173-01 extension arm is used in combination with the KT-147407-02 flat part and the 1-axis tilt part. The KT-150173-01 extension arm can also be used by itself on the access point.

Figure 3 KT-150173-01 Extension arm

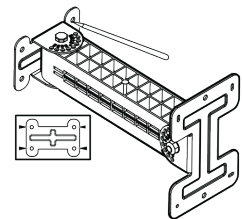


- Attach the flat part to the access point using two M6 screws.
- Place the flat part inside the 1-axis tilt part, and attach the flat part to the 1-axis tilt part using four M6 screws.
- Using the KT-150173-01 extension arm as a template, mark and drill four hole centers on a flat surface. The holes must be within the semi-circular cuts of the extension arm.
- Attach one end of the KT-150173-01 extension arm to the 1-axis tilt part using two hex-head M12 stainless-steel screws and two hex-head M12 stainless-steel nuts through the two large circular holes on the KT-150173-01 extension arm.
- Attach the KT-150173-01 extension arm to a flat surface using four M6 hex-head screws. If you are mounting the extension arm on a wood surface, use screw-in anchors. If you are mounting the extension arm on a concrete surface, use concrete anchors. The installer must provide the M6 hex-head screws and screw-in anchors.

Option 3: Install the Access Point to a Flat Surface Using the MBO-ART02 Articulating Mounting Bracket

- Using the short end of the MBO-ART02 articulating mounting bracket as a template, mark and drill four holes on the wall.

Figure 4 MBO-ART02 bracket template for attachment holes



- Attach the large end of the MBO-ART02 articulating mounting bracket to the access point using two M6 hex-head screws.
- Attach the short end of the MBO-ART02 articulating mounting bracket to the wall using four M6 hex-head screws.

For installation instructions on how to use the WS-MBV-VMM (#32216) vehicle mount bracket on a flat surface, refer to the *ExtremeWireless Access Points AP360i/e Installation Guide* in the *Extreme Networks Documentation Support* site.

Install the Access Point to a Pole

The access point can be mounted on a pole with or without tilt.

Option 1: Install the Access Point to a Pole Using the KT-147407-02 Pole Part

- Attach the KT-147407-02 pole part to the access point using four M6 screws in the circular slots.
- Insert 0.5 in. (12.7 mm) wide stainless-steel cable clamp through the long slots on the pole part.
- Position and insert the ends of the cable clamp around the pole.
- Tighten the cable clamp ends to a torque of 11 in-lbs.

Option 2: Install the Access Point to a Pole Using KT-147407-02 Bracket Parts and KT-150173-01 Extension Arm

- Attach the 1-axis tilt part to the access point using two M6 screws.
- Align the flat part inside the 1-axis tilt part, and attach the flat part using four M6 screws.
- Tilt the access point to a desired angle and tighten the four M6 screws to a torque of 45 in-lbs.
- Attach one end of the KT-150173-01 extension arm to the 1-axis tilt part using two hex-head M12 stainless-steel screws and two hex-head M12 stainless-steel nuts through the two large circular holes on the KT-150173-01 extension arm.
- Attach the KT-147407-02 pole part to the KT-150173-01 extension arm using two M12 screws and two M12 hex nuts.

- Insert 0.5 in. (12.7 mm) wide stainless-steel cable clamps through the long slots of the pole part.
- Position the cable clamps around a pole, and attach the access point to the pole.
- Insert the ends of the cable clamp around the pole and tighten it to a torque of 11 in-lbs.

For installation instructions on how to use all the parts of KT-147407-02 bracket, the MBO-ART02 bracket on a WS-MBO-POLE01 bracket, refer to the *ExtremeWireless Access Points AP360i/e Installation Guide* in the *Extreme Networks Documentation Support* site.

Professional Installation Instruction

Installation personnel

This product is designed for specific application and needs to be installed by a qualified person who has RF and related rule knowledge. The general user shall not attempt to install or change the setting.

External antenna

Use only approved antennas. Non-approved antennas may produce unwanted spurious or excessive RF transmitting power, which may lead to the violation of FCC/IC limit and is prohibited.

Installation procedure

Refer to the *ExtremeWireless Access Points AP360i/e Installation Guide* in the *Extreme Networks Documentation Support* site.

Warning: Select the installation position and make sure that the final output power does not exceed the limit set forth in relevant rules. The violation of the rule could lead to serious federal penalty.

Instructions d'installation professionnelle

Installation

Ce produit est destiné à un usage spécifique et doit être installé par un personnel qualifié maîtrisant les radiofréquences et les règles s'y rapportant. L'installation et les réglages ne doivent pas être modifiés par l'utilisateur final.

Antenn externe

Utiliser uniquement les antennes approuvées par le fabricant. L'utilisation d'autres antennes peut conduire à un niveau de rayonnement essentiel ou non essentiel dépassant les niveaux limites définis par FCC/IC, ce qui est interdit.

Procédure d'installation

Reportez-vous au Guide d'installation des points d'accès ExtremeWireless AP360i / e sur le site de support de la documentation Extreme Networks.

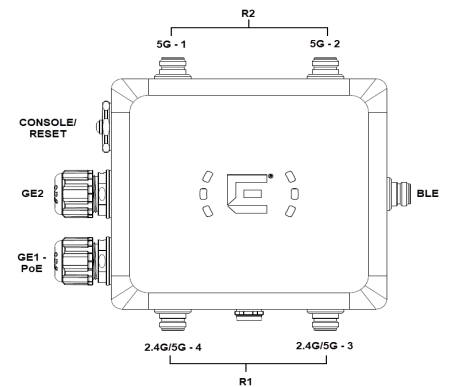
Warning: Avertissement: Choisir avec soin la position d'installation et s'assurer que la puissance de sortie ne dépasse pas les limites en vigueur. La violation de cette règle peut conduire à de sérieuses pénalités fédérales.

GE and Console Connections

The access points have two GE (Ethernet) ports and a Console port. During administration and maintenance through the Console port, the access points must still have a power connection through an Ethernet PoE cable.

Antenna Configurations for External Antenna Model

Figure 5 AP360e external antenna connectors



Antenna socket radio mapping information

- Radio 1 (R1) - antennas 3 and 4
- Radio 2 (R2) - antennas 1 and 2

Table 5 AP360e antenna configuration

Software mode	Radio 1	Radio 2
Mode 1	2.4 GHz	5 GHz
Mode 2	2,4/5 GHz	5 GHz
Mode 3	5 GHz - low	5 GHz - high

- Mode 1: Dual Band Dual Concurrent (DBDC)
- Mode 2: Radio 1 unlocked for sensor operation and radio 2 locked at 5 GHz full band
- Mode 3: Dual 5 GHz, radio 1 locked at 5 GHz low band, and radio 2 locked at 5 GHz high band

Regulatory and Compliance Information Safety Guidelines

The following section contains notices that are intended to protect your personal safety and prevent damage to the equipment.

Qualified Personnel:



Electrical Hazard: Only qualified personnel must perform installation procedures. Within the context of the safety notes in this documentation, qualified persons are defined as persons who are authorized to commission protective grounding and label devices, systems, and circuits in accordance with established safety practices and standards. A qualified person understands the requirements and risks involved with installing outdoor electrical equipment in accordance with national codes.

Personnel qualifié:



Electrical Hazard: Seul un personnel qualifié doit effectuer les procédures d'installation. Dans le contexte des consignes de sécurité de cette documentation, les personnes qualifiées sont définies comme les personnes autorisées à mettre en service, à mettre à la terre et à étiqueter les dispositifs, systèmes et circuits conformément aux pratiques et normes de sécurité établies. Une personne qualifiée comprend les exigences et les risques liés à l'installation d'équipements électriques d'extérieur conformément aux codes nationaux.

Federal Communications Commission (FCC) Notice

This equipment has been tested and found to comply with the limits for a Class B digital device, pursuant to Part 15 of the FCC Rules. These limits are designed to provide reasonable protection against harmful interference in a residential installation. This equipment generates, uses and can radiate radio frequency energy and, if not installed and used in accordance with the instructions, may cause harmful interference to radio communications. However, there is no guarantee that interference will not occur in a particular installation. If this equipment does cause harmful interference to radio or television reception, which can be determined by turning the equipment off and on, the user is encouraged to try to correct the interference by one of the following measures:

- Reorient or relocate the receiving antenna.
- Increase the separation between the equipment and receiver.
- Connect the equipment into an outlet on a circuit different from that to which the receiver is connected.
- Consult the dealer or an experienced radio/TV technician for help.



Caution: Any changes or modifications not expressly approved by the party responsible for compliance could void the user's authority to operate this equipment.

This device complies with Part 15 of the FCC Rules. Operation is subject to the following two conditions: (1) This device may not cause harmful interference, and (2) this device must accept any interference received, including interference that may cause undesired operation. This transmitter must not be co-located or operating in conjunction with any other antenna or transmitter.



Warning: FCC Radiation Exposure Statement: This equipment complies with FCC radiation exposure limits set forth for an uncontrolled environment. This equipment should be installed and operated with minimum distance of 26 cm between the radiator and your body.

Industry Canada Notice

This device complies with ISED's licence-exempt RSSs. Operation is subject to the following two conditions: (1) This device may not cause harmful interference, and (2) this device must accept any interference received, including interference that may cause undesired operation.

Le présent appareil est conforme aux CNR d'ISED applicables aux appareils radio exempts de licence. L'exploitation est autorisée aux deux conditions suivantes : (1) le dispositif ne doit pas produire de brouillage préjudiciable, et (2) ce dispositif doit accepter tout brouillage reçu, y compris un brouillage susceptible de provoquer un fonctionnement indésirable.



Caution: The device for operation in the band 5150-5250 MHz is only for indoor use to reduce the potential for harmful interference to co-channel mobile satellite systems.



Warning: IC Radiation Exposure Statement: This equipment complies with ISED radiation exposure limits set forth for an uncontrolled environment. This equipment should be installed and operated with minimum distance of 31 cm between the radiator and your body.



Caution: Avertissement: les dispositifs fonctionnant dans la bande 5150-5250 MHz sont réservés uniquement pour une utilisation à l'intérieur afin de réduire les risques de brouillage préjudiciable aux systèmes de satellites mobiles utilisant les mêmes canaux.



Warning: Déclaration d'exposition aux radiations: Cet équipement est conforme aux limites d'exposition aux rayonnements ISED établies pour un environnement non contrôlé. Cet équipement doit être installé et utilisé avec un minimum de 31 cm de distance entre la source de rayonnement et votre corps.

Detachable Antenna Usage

This radio transmitter [4141B-AP360] has been approved by Innovation, Science and Economic Development Canada to operate with the antenna types listed in the [AP360 Installation Guide](#), with the maximum permissible gain indicated. Antenna types not included in the list that have a gain greater than the maximum gain indicated for any type listed are strictly prohibited for use with this device.

Cet émetteur radio [4141B-AP360] a été approuvé par Innovation, Sciences et Développement économique Canada pour fonctionner avec les types d'antennes énumérés dans le [Guide d'installation de l'AP360](#), avec le gain maximal admissible indiqué. Les types d'antenne non inclus dans la liste qui ont un gain supérieur au gain maximal indiqué pour l'un des types énumérés sont strictement interdits pour une utilisation avec cet appareil.

Australia Notice



Warning: AU co-location MPE Statement: This equipment complies with AU radiation exposure limits set forth for an uncontrolled environment. This equipment should be installed and operated with minimum distance of 25 cm between the radiator and your body.

Other Countries

Brazil

Este produto está homologado pela ANATEL, de acordo com os procedimentos regulamentados pela Resolução nº. 242/2000 e atende aos requisitos técnicos aplicados. Este equipamento não tem direito à proteção contra interferência prejudicial e não pode causar interferência em sistemas devidamente autorizados. Para maiores informações, consulte o site da ANATEL – www.anatel.gov.br

Hazardous Substances

This product complies with the requirements of Directive 2011/65/EU of the European Parliament and of the Council of 8 June 2011 on the restriction of the use of certain hazardous substances in electrical and electronic equipment.

單元 Unit	限用物質及其化學符號 Restricted substances and its chemical symbols					
	鉛Lead (Pb)	汞Mercury (Hg)	鎘Cadmium (Cd)	六價鉻Hexavalent chromium (Cr ⁶⁺)	多溴聯苯Polybrominated biphenyls (PBB)	多溴二苯醚Polybrominated diphenyl ethers (PBDE)
金屬零件 (Metal Parts)	○	○	○	○	○	○
電路模組 (Circuit Modules)	—	○	○	○	○	○
電纜及電纜組件 (Cables & Cable Assemblies)	○	○	○	○	○	○
塑料和聚合物零件 (Plastic and Polymeric parts)	○	○	○	○	○	○

備考1: “超出0.1 wt %”及“超出0.01 wt %”係指限用物質之百分比含量超出百分比含量基準值。
Note 1: “Exceeding 0.1 wt %” and “exceeding 0.01 wt %” indicate that the percentage content of the restricted substance exceeds the reference percentage value of presence condition.

備考2: “○”係指該項限用物質之百分比含量未超出百分比含量基準值。
Note 2: “○” indicates that the percentage content of the restricted substance does not exceed the percentage of reference value of presence.

備考3: “—”係指該項限用物質為排除項目。
Note 3: The “—” indicates that the restricted substance corresponds to the exemption.

低功率電波輻射性電機管理辦法第十二條 經型式認證合格之低功率射頻電機，非經許可，

公司、商號或使用者均不得擅自變更頻率、加大功率或變更原設計之特性及功能。

第十四條低功率射頻電機之使用不得影響飛航安全及干擾合法通信；經發現有干擾現象時，

應立即停用，並改善至無干擾時方得繼續使用。前項合法通信，指依電信法規定作業之無線電通信。

低功率射頻電機須忍受合法通信或工業、科學及醫療用電波輻射性電機設備之干擾。

無線資訊傳輸設備避免影響附近雷達系統之操作。

「本器材須經專業工程人員安裝及設定，始得設置使用，且不得直接販售給一般消費者。」

CE Information

The device is restricted to indoor use only when operating in the 5150 to 5350 MHz frequency range.



Warning: CE co-location MPE Statement: This equipment complies with CE radiation exposure limits set forth for an uncontrolled environment. This equipment should be installed and operated with minimum distance of 20 cm between the radiator and your body.

	AT	BE	BG	HR	CY	CZ	DK
	EE	FI	FR	DE	EL	HU	IE
	IT	LV	LT	LU	MT	NL	PL
	PT	RO	SK	SI	ES	SE	UK

All Operational Modes

Frequency	AP360i	AP360e
2.4GHz	802.11b, 802.11g, 802.11n (HT20), 802.11n (HT40), 802.11ax (HEW20), 802.11ax (HEW40), 802.15.4 (Thread), Bluetooth (LE)	802.11b, 802.11g, 802.11n (HT20), 802.11n (HT40), 802.11ac (VHT20), 802.11ac (VHT40), Bluetooth(BR/EDR, LE)
5GHz	802.11a, 802.11n (HT20), 802.11n (HT40), 802.11ac (VHT20), 802.11ac (VHT40), 802.11ac (VHT80), 802.11ax (HEW20), 802.11ax (HEW40), 802.11ax (HEW80)	802.11a, 802.11n (HT20), 802.11n (HT40), 802.11ac (VHT20), 802.11ac (VHT40), 802.11ac (VHT80)

The frequency and the maximum transmitted power in EU are listed below:

Frequency	Maximum transmitted power
2412-2472 MHz	19.98 dBm
2402-2480 MHz (BR and EDR)	6 dBm
2402-2480 MHz (LE)	6.23 dBm
5180-5240 MHz	22.98 dBm

Frequency	Maximum transmitted power
5260-5320 MHz	22.98 dBm
5500-5700 MHz	29.98 dBm
2405-2480 MHz	6.48 dBm

European Waste Electrical and Electronic Equipment (WEEE) Notice



In accordance with Directive 2012/19/EU of the European Parliament on waste electrical and electronic equipment (WEEE):

- The symbol above indicates that separate collection of electrical and electronic equipment is required.
- When this product has reached the end of its serviceable life, it cannot be disposed of as unsorted municipal waste. It must be collected and treated separately.
- It has been determined by the European Parliament that there are potential negative effects on the environment and human health as a result of the presence of hazardous substances in electrical and electronic equipment.
- It is the users' responsibility to utilize the available collection system to ensure WEEE is properly treated.

For information about the available collection system, please contact Extreme Environmental Compliance at Green@extremenetworks.com.

Declaration of Conformity in Languages of the European Community

English	Hereby, Extreme Networks declares that the radio equipment type (AP360e) is in compliance with Directive 2014/53/EU. For full text of the EU Declaration of Conformity, please contact Extreme Regulatory Compliance at compliancerequest@extremenetworks.com
Finnish	Täten Extreme Networks vakuuttaa että Radio laite tyyppi (AP360e) on direktiivin 2014/53/EU mukainen.EU vaatimustenmukaisuusvakuutuksen täydellisestä tekstistä ota yhteyttä äärimmäisiin viranomais säädöksiin osoitteessa compliancerequest@extremenetworks.com
Dutch	Extreme Networks verklaart hierbij dat het type radioapparatuur (AP360e) in overeenstemming is met richtlijn 2014/53/EU.Voor de volledige tekst van de EU-conformiteitsverklaring u contact opnemen met extreme regelgeving op compliancerequest@extremenetworks.com
French	Par la présente, Extreme Networks déclare que le type d'équipement radio (AP360e) est conforme à la directive 2014/53/UE.Pour le texte intégral de la Déclaration de conformité de l'UE, veuillez communiquer avec Extreme Regulatory Compliance à compliancerequest@extremenetworks.com
Swedish	Härmed intygar Extreme Networks att radioutrustning typ (AP360e) överensstämmer med direktiv 2014/53/EU.För fullständig text av EU-försäkran om överensstämmelse, vänligen kontakta Extreme regelflechterlevnad på compliancerequest@extremenetworks.com
Danish	Herved erklærer Extreme Networks at radioudstyrstypen (AP360e) er i overensstemmelse med direktiv 2014/53/EU.For den fulde ordlyd af EU-overensstemmelseserklæringen bedes du kontakte Extreme Regulatory Compliance på compliancerequest@extremenetworks.com
German	Dabei erklärt Extreme Networks dass der Funkgerätetyp (AP360e) mit der Richtlinie 2014/53/EU im Einklang steht.Für den vollständigen Wortlaut der EU-Konformitätserklärung wenden Sie sich bitte an extreme Regulatory Compliance unter compliancerequest@extremenetworks.com
Greek	Με την παρούσα, ακραία δικτύα δηλώνουν ότι ο τύπος του ραδιοεξοπλισμού (AP360e) συμμορφώνεται με την οδηγία 2014/53/ΕΕ. Για το πλήρες κείμενο της δήλωσης συμμόρφωσης ΕΕ, παρακαλούμε επικοινωνήστε με την ακραία κανονιστική συμμόρφωση στο compliancerequest@extremenetworks.com
Icelandic	Hérlendis, Extreme Networks lýsa því yfir að útværþsbúnaðargerðin (AP360e) sé í samræmi við tilskipun 2014/53/ESB.Fyrir fullan texta í ESB yfirlýsingun um samræmi, vinsamlegast hafðu samband við Extreme Regluflyglni á compliancerequest@extremenetworks.com
Italian	Di conseguenza, Extreme Networks dichiara che il tipo di apparecchiature radio (AP360e) è conforme alla direttiva 2014/53/EU.Per il testo integrale della Dichiarazione di conformità dell'UE, contattate Extreme Regulatory Compliance presso compliancerequest@extremenetworks.com
Spanish	Por la presente, Extreme Networks declara que el tipo de equipo radioeléctrico (AP360e) cumple con la Directiva 2014/53/UE.Para obtener el texto completo de la Declaración de conformidad de la UE, póngase en contacto con Extreme Regulatory Compliance en compliancerequest@extremenetworks.com
Portuguese	Por este meio, a Extreme Networks declara que o tipo de equipamento de rádio (AP360e) está em conformidade com a Diretiva 2014/53/UE.Para obter o texto integral da Declaração de Conformidade da UE, contacte o cumprimento regulamentar extremo em compliancerequest@extremenetworks.com
Malti	B' dan, netwerks estremi jiddikjara li t-tip ta ' taghmir tar-radju (AP360e) huwa konformi mad-Direttiva 2014/53/UE.Ghat-test shih tad-dikjarazzjoni ta' konformità ta-UE, jekk joghġbok ikkuntattja lill-konformità regulatorja compliancerequest@extremenetworks.com

Extreme Wireless™ Access Points

Quick Reference

AP360i

AP360e

Notice

Copyright © 2020 Extreme Networks, Inc. All Rights Reserved.

Legal Notices

Extreme Networks, Inc. reserves the right to make changes in specifications and other information contained in this document and its website without prior notice. The reader should in all cases consult representatives of Extreme Networks to determine whether any such changes have been made.

The hardware, firmware, software or any specifications described or referred to in this document are subject to change without notice.

Trademarks

Extreme Networks and the Extreme Networks logo are trademarks or registered trademarks of Extreme Networks, Inc. in the United States and/or other countries.

All other names (including any product names) mentioned in this document are the property of their respective owners and may be trademarks or registered trademarks of their respective companies/owners.

For additional information on Extreme Networks trademarks, please see: www.extremenetworks.com/company/legal/trademarks/

Documentation, Installation Videos, and Support

For product support, including Documentation and Installation Videos, visit: www.extremenetworks.com/documentation

P/N 9036623-02 RevAA

